



Agroparts: www.HARDI-INTERNATIONAL.com

NK 210 Gallon MB 35', 42'

Country-Code 11

Date 06.04.2015 9:06

**NK210 Gallon
MB 35', 42'**



| main group | page-n° | date | description |
|----------------------------------|----------|-------------------------|---------------------------------|
| Pumps, Pto's, Gear Boxes | A040-HIN | 13:05:14 | PUMP - 600 |
| | A041-HIN | 28:05:13 | PUMP - 603 |
| | A050-HIN | 28:07:14 | PUMP - 600 FITTINGS |
| | A120-HIN | 01:11:11 | PUMP - 1200 W/ MOUNTING BASE |
| | A130-HIN | 27:01:15 | PUMP - 1202 W/MOUNTING BASE |
| | A131-HIN | 08:11:11 | PUMP - 1203 W/MOUNTING BASE |
| | A170-HIN | 28:07:14 | PUMP - 1200/1202/1203 FITTINGS |
| | A180-HIN | 08:11:11 | PUMP - 1301 W/ MOUNTING BASE |
| | A190-HIN | 08:11:11 | PUMP - 1302 W/ MOUNTING BASE |
| | A191-HIN | 08:11:11 | PUMP - 1303 W/ MOUNTING BASE |
| | A220-HIN | 28:07:14 | PUMP - 1301/1302 FITTINGS |
| | A480-HIN | 13:12:11 | PTO SHAFTS - BONDIOLI DIAPH. |
| | A485-HIN | 20:01:14 | PTO SHAFTS - BONDIOLI CENT. |
| | A560-HIN | 07:01:15 | PTO SHAFTS - AMA DIAPHRAGM |
| Controls, Suction & S.C. Filters | B060-HIN | 26:05:11 | BK-180 MASTER VALVE - MANUAL |
| | B070-HIN | 06:09:11 | BK-180 MASTER VALVE-MAN.POST94 |
| | B080-HIN | 19:05:11 | BK-180 BOOM VALVES-MAN.PRE 00 |
| | B090-HIN | 19:05:11 | BK-180 BOOM VALVES-MAN.POST 00 |
| | B110-HIN | 01:01:01 | BK-180 REMOTE CONTROL CABLE |
| | B360-HIN | 27:05:09 | SELF CLEANING FILTER-SCREW TOP |
| | B370-HIN | 08:12:09 | TOP SUCTION ASSEMBLY-SCREW CAP |
| Booms, Nozzle Bodies & Tubes | D080-HIN | 12:12:05 | BOOM - MB 35' 40' 42' |
| | D100-HIN | 01:01:01 | BOOM - MB H-FRAME ML-TRAILER |
| | D620-HIN | 18:03:10 | NOZZLE BODIES-SNAP FIT |
| | D625-HIN | 04:06:13 | DOUBLE NOZZLE HOLDER-SNAP FIT |
| | D630-HIN | 12:04:13 | NOZZLE TUBES & HOLDER-PLASTIC |
| | D700-HIN | 14:12:07 | BOOM-NOZZLES 110° FLAT FAN ISO |
| | D701-HIN | 14:12:07 | BOOM-NOZZLES 110° LOWDRIFT ISO |
| | D702-HIN | 14:12:07 | BOOM-NOZZLES 80° FLAT FAN ISO |
| | D703-HIN | 14:12:07 | BOOM-NOZZLE CAPS AND FILTERS |
| | D704-HIN | 14:12:07 | BOOM-NOZZLES INJET |
| | D705-HIN | 14:12:07 | BOOM-NOZZLES MINIDRIFT |
| | D706-HIN | 14:12:07 | BOOM-NOZZLES QUINTASTREAM |
| Tanks | E140-HIN | 07:09:11 | TANK - NK 210 (PRE 92) |
| | E150-HIN | 07:09:11 | TANK - NK 210 (POST 92) |
| Frames, Hub Assemblies | F060-HIN | 01:01:01 | FRAME NK 155/210 |
| Accessories | G050-HIN | 06:10:10 | CHEM.FILLER-MOUNTING BRACKETS |
| | G070-HIN | 09:12:09 | CHEM.FILLER-PLUMBING-STANDARD |
| | G080-HIN | 14:06:12 | CHEM.FILLER-STANDARD-PLUMBING |
| | G090-HIN | 19:05:11 | CHEMICAL FILLER-HOPPER(PRE95) |
| | G100-HIN | 19:05:11 | CHEMICAL FILLER-HOPPER(POST95) |
| | G110-HIN | 26:06:06 | CLEAN WATER TANK |
| | G190-HIN | 28:11:06 | END NOZZLE KIT |
| | G191-HIN | 09:05:13 | ELECTRIC END NOZZLE KIT '09 |
| | G440-HIN | 19:05:11 | HANDGUN TYPE 60S/60L PRE 95 |
| | G450-HIN | 19:05:11 | HANDGUN TYPE 60S/60L POST 95 |
| | G500-HIN | 09:04:13 | HOSE REEL ASSEMBLIES |
| | G510-HIN | 19:05:11 | HOSE WRAPS |
| G711-HIN | 09:05:13 | ELECTRIC END NOZZLE KIT | |
| Fittings, Bulk Hose & Clamps | H010-HIN | 28:11:06 | FITTINGS-CAP NUTS & HOSE BARBS |
| | H020-HIN | 01:01:01 | FITTINGS-T-PIECES,CAPS & ELBOWS |

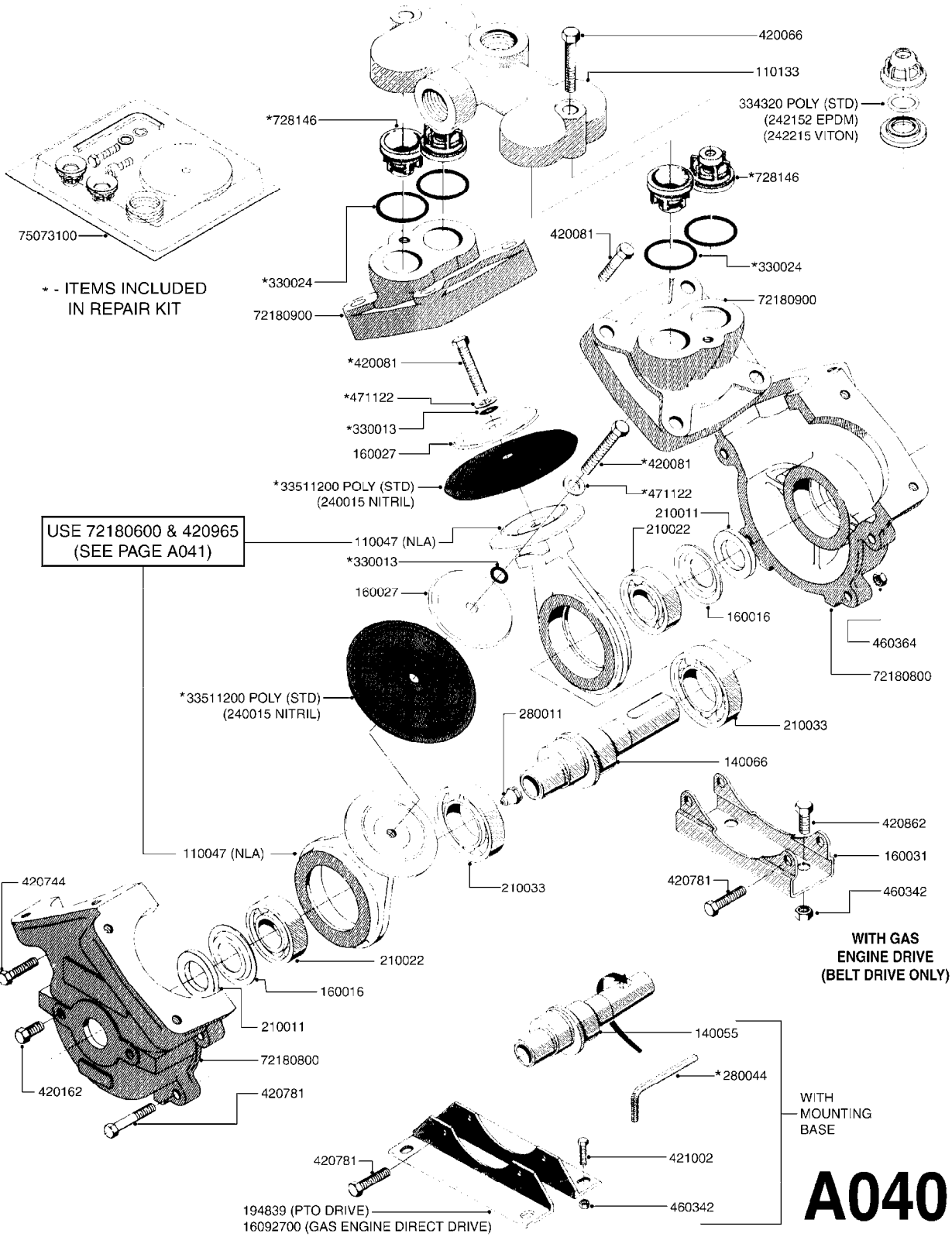


NK 210 Gallon MB 35', 42'

Page 0.2

Date 06.04.2015 9:06

| main group | page-n° | date | description |
|------------|----------------------------------------------------------------------------------------------|----------------------------------------------------------------------------------------------|----------------------------------------------------------------------------------------------------------------------------------------------------------------------------------|
| | H030-HIN H040-HIN H050-HIN H060-HIN H070-HIN H080-HIN H120-HIN H130-HIN | 01:01:01 01:01:01 31:03:09 01:01:01 01:02:12 01:02:12 11:05:10 05:07:11 | FITTINGS - HEXAGON NIPPLES FITTINGS - NIPPLES & ELBOWS FITTINGS - HOSE CONNECTORS FITTINGS - BULKHEAD FITTINGS - S-40 FITTINGS - S-53 BULK HOSE HOSE CLAMPS |





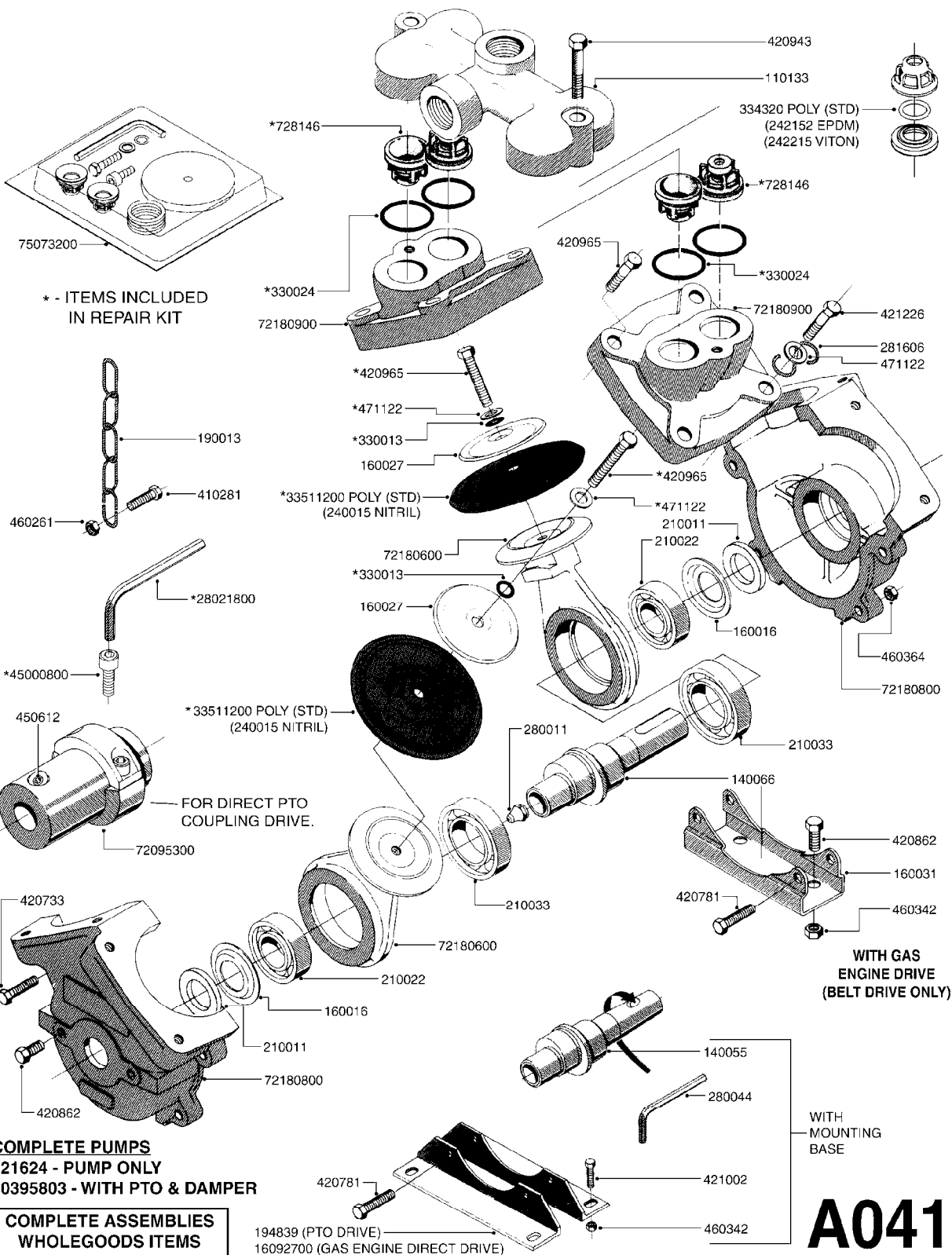
PUMP - 600
A040-HIN, 13:05:14

Page 1
Date 06.04.2015 9:06

| parts-n° | order qty | description |
|----------|-----------|-----------------------------------|
| 110047 | 1 | CONN.ROD MOD.500-600 72180600 |
| 110133 | 1 | VALVE CHAMBER MOD 600 PAINTED |
| 140055 | 1 | CRANK SHAFT, MODEL 600 |
| 140066 | 1 | CRANK SHAFT, MODEL 600/4 |
| 160016 | 1 | DUST PLATE |
| 160027 | 1 | DIAPHRAGM UPPER DISC 500-600 |
| 160031 | 1 | BASE PLATE MODEL 500-600 |
| 194839 | 1 | ANGLE IRON FOOT, M 500-600 RED |
| 210011 | 1 | SEAL FELT D39/23 X 4 |
| 210022 | 1 | BEARING BALL 6205 |
| 210033 | 1 | BEARING BALL 6007 |
| 240015 | 1 | DIAPHRAGM MODEL 500-600 NITRIL |
| 242152 | 1 | O-RING D18.2X3 EPDM |
| 242215 | 1 | O-RING D18X3 VITON |
| 280011 | 1 | GREASE NIPPLE 1/8' H TR |
| 280044 | 1 | KEY HEXAGON W6 3/16' |
| 330013 | 1 | O-RING D15/D10X2.5 F.3/8"NUT |
| 330024 | 1 | O-RING D41,1/D34.5 X 3,5 |
| 334320 | 1 | O-RING D18X3 POLYURETHANE |
| 420066 | 1 | BOLT HEX 8.8 DEL 3/8"X50MM |
| 420081 | 1 | BOLT HEX 8.8 DEL 3/8"X40MM |
| 420162 | 1 | BOLT HEX 8.8 DEL 3/8"x15MM |
| 420744 | 1 | BOLT HEX 8.8 DEL M8X40 |
| 420781 | 1 | BOLT HEX 8.8 DEL M8X50 |
| 420862 | 1 | BOLT HEX 8.8 DEL M10X16 FT |
| 420965 | 1 | M10X40 MACHINE SCREW STAINLESS |
| 421002 | 1 | BOLT HEX 8.8 DEL M10X30 FT DIN933 |
| 460342 | 1 | NUT HEX M10 DEL DIN934 |
| 460364 | 1 | NUT HEX M8 GALV. |
| 471122 | 1 | WASHER D20/D10.5X2 SS |
| 728146 | 1 | VALVE FOR 361(726890/707932) |
| 16092700 | 1 | PUMP MOUNT PLATE TALL 500/600 |
| 33511200 | 1 | DIAPHRAGM 500-603 PUR 2006 |
| 72180600 | 1 | CONNECTING ROD FOR 503-603 M10 |
| 72180800 | 1 | PUMP HOUSING 603 RED W/BOLTS |
| 72180900 | 1 | DIAPHRAGM COVER MOD. 600 |
| 75073100 | 1 | PUMP KIT 600 "06" |



PUMP - 603
A041-HIN, 28:05:13



A041



PUMP - 603
A041-HIN, 28:05:13

Page 1

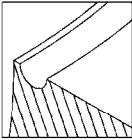
Date 06.04.2015 9:06

| parts-n° | order qty | description |
|----------|-----------|-----------------------------------|
| 110133 | 1 | VALVE CHAMBER MOD 600 PAINTED |
| 140055 | 1 | CRANK SHAFT, MODEL 600 |
| 140066 | 1 | CRANK SHAFT, MODEL 600/4 |
| 160016 | 1 | DUST PLATE |
| 160027 | 1 | DIAPHRAGM UPPER DISC 500-600 |
| 160031 | 1 | BASE PLATE MODEL 500-600 |
| 190013 | 1 | CHAIN 35XL=800 |
| 194839 | 1 | ANGLE IRON FOOT, M 500-600 RED |
| 210011 | 1 | SEAL FELT D39/23 X 4 |
| 210022 | 1 | BEARING BALL 6205 |
| 210033 | 1 | BEARING BALL 6007 |
| 240015 | 1 | DIAPHRAGM MODEL 500-600 NITRIL |
| 242152 | 1 | O-RING D18.2X3 EPDM |
| 242215 | 1 | O-RING D18X3 VITON |
| 280011 | 1 | GREASE NIPPLE 1/8' H TR |
| 280044 | 1 | KEY HEXAGON W6 3/16' |
| 281606 | 1 | S-HOOK GALVANIZED |
| 330013 | 1 | O-RING D15/D10X2.5 F.3/8"NUT |
| 330024 | 1 | O-RING D41,1/D34.5 X 3,5 |
| 334320 | 1 | O-RING D18X3 POLYURETHANE |
| 410281 | 1 | BOLT HEX 8.8 DEL M6X25 DIN933 A2 |
| 420733 | 1 | BOLT HEX 8.8 DEL M8X40 |
| 420781 | 1 | BOLT HEX 8.8 DEL M8X50 |
| 420862 | 1 | BOLT HEX 8.8 DEL M10X16 FT |
| 420943 | 1 | BOLT HEX 8.8 DEL M10X50 |
| 420965 | 1 | M10X40 MACHINE SCREW STAINLESS |
| 421002 | 1 | BOLT HEX 8.8 DEL M10X30 FT DIN933 |
| 421226 | 1 | BOLT HEX 8.8 DEL M10X45 |
| 450612 | 1 | SCREW M10X16 POINTED |
| 460261 | 1 | NUT HEX M6X1 LOCK A2 DIN985 |
| 460342 | 1 | NUT HEX M10 DEL DIN934 |
| 460364 | 1 | NUT HEX M8 GALV. |
| 471122 | 1 | WASHER D20/D10.5X2 SS |
| 728146 | 1 | VALVE FOR 361(726890/707932) |
| 821624 | 1 | PUMP 603/7 W. FOOT TAPERED SHA |
| 10395803 | 1 | PUMP 603 C/W PTO 540 RPM |
| 16092700 | 1 | PUMP MOUNT PLATE TALL 500/600 |
| 28021800 | 1 | KEY HEXAGON 8MM FOR M10 |
| 33511200 | 1 | DIAPHRAGM 500-603 PUR 2006 |
| 45000800 | 1 | BOLT ROUND M10X25 |
| 72095300 | 1 | COUPLING 1-3/8' X 25, PAINTED |
| 72180600 | 1 | CONNECTING ROD FOR 503-603 M10 |
| 72180800 | 1 | PUMP HOUSING 603 RED W/BOLTS |
| 72180900 | 1 | DIAPHRAGM COVER MOD. 600 |
| 75073200 | 1 | PUMP KIT 603mm 06 |



Housing for Black Diaphragm-

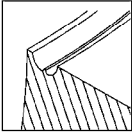
This groove on the lower housing of the Pressure Damper is for the BLACK diaphragm (240122). Never upgrade diaphragms to the YELLOW style unless you also upgrade Pressure Dampers to the housing style shown below.



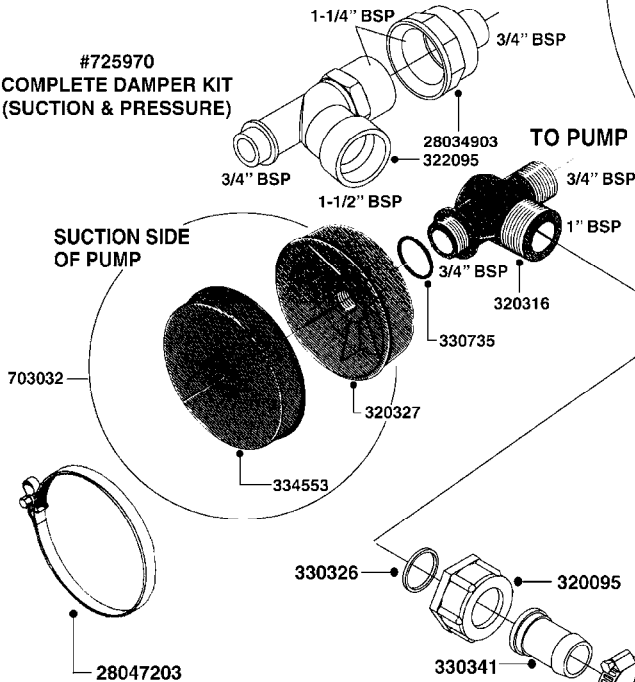
The YELLOW style diaphragm will not seal correctly in this housing.

Housing for Yellow Diaphragm-

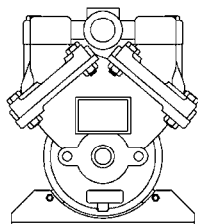
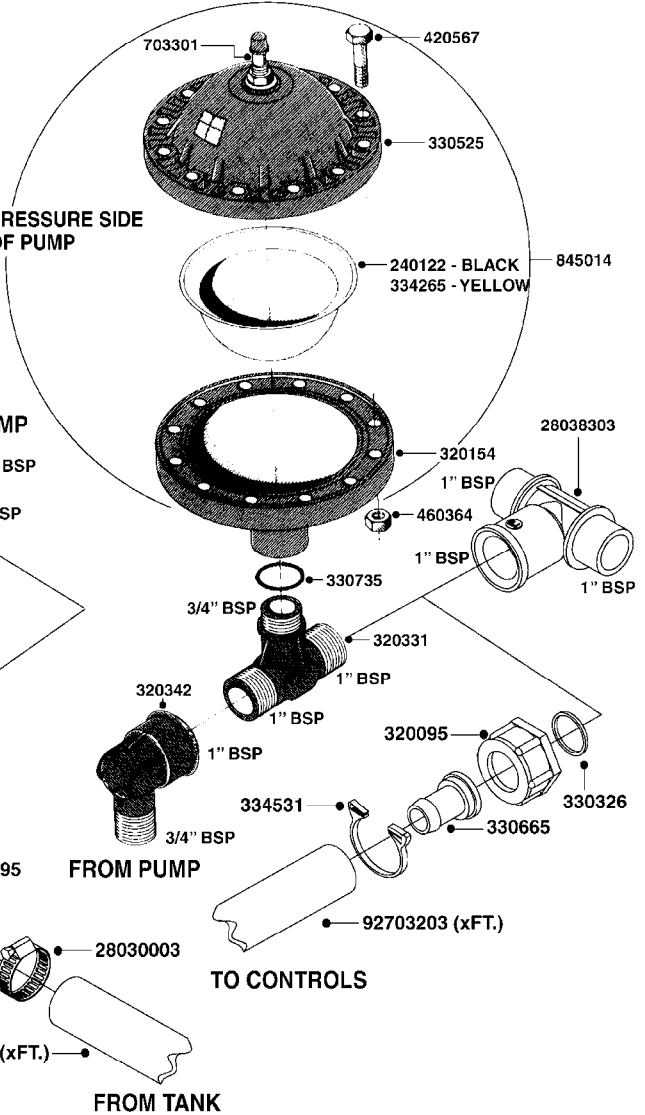
The groove on the lower housing of a the Pressure Damper is recognized by the extra lip on the bottom inside of the groove. For this style Pressure Damper, you need the YELLOW diaphragm (334265).



**#725970
COMPLETE DAMPER KIT
(SUCTION & PRESSURE)**

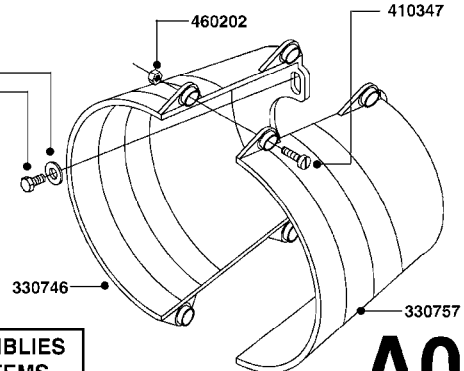


PRESSURE SIDE OF PUMP



821623 - 600 WITH COUPLER
821624 - 600 W/ MOUNTING BASE
821625 - 600 GAS DRIVEN - BELT DRIVE

COMPLETE ASSEMBLIES
WHOLEGOODS ITEMS



A050



PUMP - 600 FITTINGS
A050-HIN, 28:07:14

Page 1

Date 06.04.2015 9:06

| parts-n° | order qty | description |
|----------|-----------|------------------------------------|
| 240122 | 1 | DIAPHRAGM FOR PRES.DAMP.(EPDM) |
| 320095 | 1 | FITT.DK NUT 1" BSP |
| 320154 | 1 | AIR BOTTLE, BOTTOM PART |
| 320316 | 1 | FITT.DK TEE 3/4" X3/4" X1"BSP |
| 320327 | 1 | HOUSING F. SUCTION AIR BOTTLE |
| 320331 | 1 | FITT.DK TEE 1" - 1" - 3/4" BSP |
| 320342 | 1 | FITT.DK EL 3/4"M X 1"F BSP |
| 322095 | 1 | FITT.DK TEE 1-1/2 X1-1/4 X3/4" BSP |
| 330326 | 1 | O-RING D30/D24X2 F.1"NUT |
| 330341 | 1 | FITT.DK HB 1" F. 1" NUT |
| 330525 | 1 | AIR BOTTLE, TOP HALF |
| 330665 | 1 | FITT.DK HB 3/4"F.1" NUT |
| 330735 | 1 | O-RING D30/D26X2 |
| 330746 | 1 | GUARD PTO LOWER PART SHORT |
| 330757 | 1 | GUARD PTO UPPER PART SHORT |
| 334265 | 1 | DIAPHRAGM F. PRESS DAMP.NITRIL |
| 334531 | 1 | CLAMP HOSE PLASTIC 3/4" |
| 334553 | 1 | DIAPHRAGM F.SUCTION AIR BOTTLE |
| 410347 | 1 | SCREW M6X20 8.8 |
| 420162 | 1 | BOLT HEX 8.8 DEL 3/8"x15MM |
| 420567 | 1 | BOLT HEX 8.8 DEL M8X30 FT |
| 460202 | 1 | NUT HEX M6 |
| 460364 | 1 | NUT HEX M8 GALV. |
| 471122 | 1 | WASHER D20/D10.5X2 SS |
| 703032 | 1 | SUCTION AIR BOTTLE 3/4" COMPL. |
| 703301 | 1 | VALVE FOR AIR BOTTLE |
| 725970 | 1 | DAMPER KIT 600 |
| 821623 | 1 | PUMP 603/7 W COUPLING |
| 821624 | 1 | PUMP 603/7 W. FOOT TAPERED SHA |
| 821625 | 1 | PUMP 603/4 800RPM STRIGHT SHAF |
| 845014 | 1 | AIR BOTTLE COMPLETE HJ73 |
| 28030003 | 1 | CLAMP HOSE GEAR P1" 6716 |
| 28034903 | 1 | FITTING, REDUCER, 1-1/4"-3/4" |
| 28038303 | 1 | FITTING, TEE 2X1"BSPM/1"BSPF |
| 28047203 | 1 | CLAMP HOSE GEAR 60 X 80 6756 |
| 92702403 | 1 | HOSE PVC SUCT GRAY 1" |
| 92703203 | 1 | HOSE R X3/4" X300PSI WP X0012" |



PUMP - 1200 W/ MOUNTING BASE
A120-HIN, 01:11:11

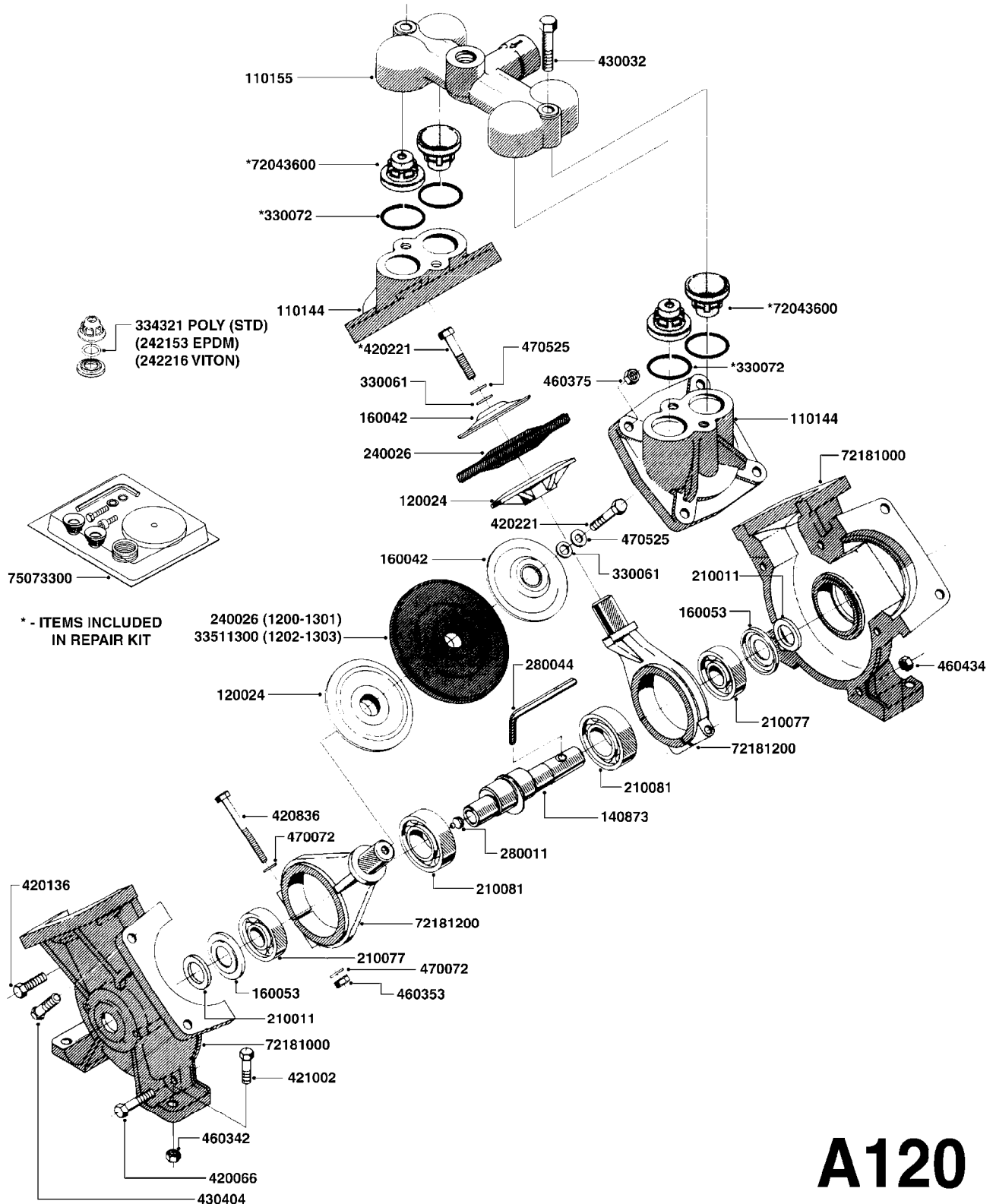
Page

0

Date

06.04.2015

9:06



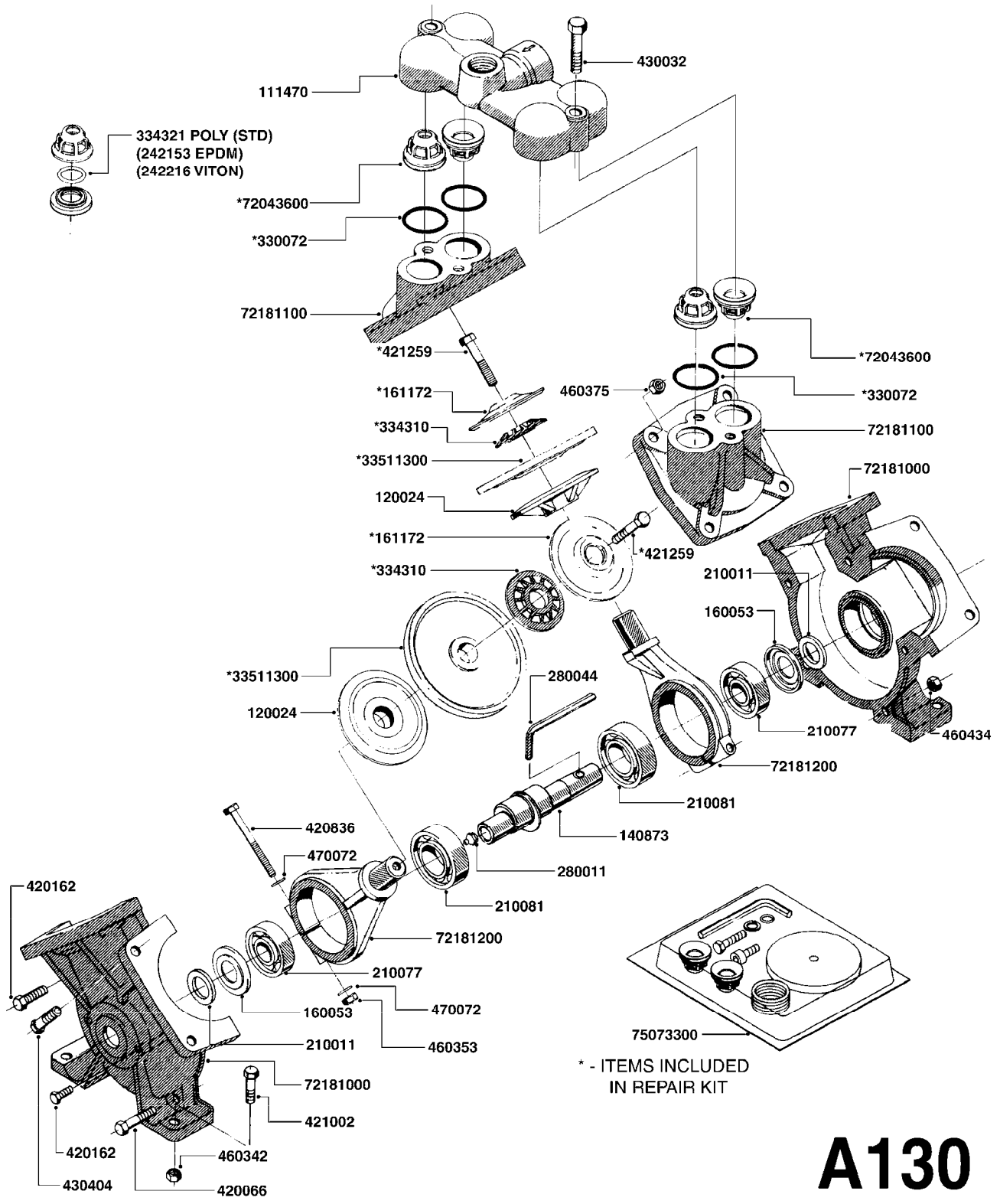


PUMP - 1200 W/ MOUNTING BASE
A120-HIN, 01:11:11

Page 1

Date 06.04.2015 9:06

| parts-n° | order qty | description |
|----------|-----------|-----------------------------------|
| 110144 | 1 | DIAPHRAGM COVER alt 72181100 |
| 110155 | 1 | VALVE CHAMBER F. 1200 PUMP |
| 120024 | 1 | DIAPHRAGM BACK DISC 1200-1300 |
| 140873 | 1 | CRANK SHAFT MODEL 1202-9MM |
| 160042 | 1 | DIAPHRAGM UPPER DISC 1200-1300 |
| 160053 | 1 | DUST PLATE |
| 210011 | 1 | SEAL FELT D39/23 X 4 |
| 210077 | 1 | BEARING BALL 6305 |
| 210081 | 1 | BEARING BALL 6307 |
| 240026 | 1 | DIAPHRAGM MODEL 1200/1301 |
| 242153 | 1 | O-RING D26X4 EPDM |
| 242216 | 1 | O-RING VITON F/1202/1302/462 |
| 280011 | 1 | GREASE NIPPLE 1/8' H TR |
| 280044 | 1 | KEY HEXAGON W6 3/16' |
| 330061 | 1 | O-RING D16/D11X2,5 |
| 330072 | 1 | O-RING D53.5/D45.5X4 |
| 334321 | 1 | O-RING POLY. 34.0x26.0x4.0 |
| 420066 | 1 | BOLT HEX 8.8 DEL 3/8"X50MM |
| 420136 | 1 | BOLT HEX 8.8 RAW 3/8'X30MM |
| 420221 | 1 | BOLT HEX 7/16'X2-1/4' |
| 420836 | 1 | BOLT HEX 8.8 RAW M8X85 |
| 421002 | 1 | BOLT HEX 8.8 DEL M10X30 FT DIN933 |
| 430032 | 1 | BOLT HEX 8.8 RAW 1/2'X55MM |
| 430404 | 1 | BOLT HEX 8.8 DEL M12X50 |
| 460342 | 1 | NUT HEX M10 DEL DIN934 |
| 460353 | 1 | NUT HEX M8 BLACK |
| 460375 | 1 | NUT HEX M12 BLACK |
| 460434 | 1 | NUT HEX 3/8' NC BLACK |
| 470072 | 1 | WASHER D15/D8X.5 LOCK |
| 470525 | 1 | WASHER D19/D11.5X2.5 |
| 33511300 | 1 | DIAPHRAGM 1202-1303 POLY 2006 |
| 72043600 | 1 | VALVE FOR 462/463 |
| 72181000 | 1 | HOUSING, PUMP, 1203 RED |
| 72181200 | 1 | CONNECTING ROD FOR 1203 W/M12 |
| 75073300 | 1 | PUMP KIT 1200/1202 "06" |



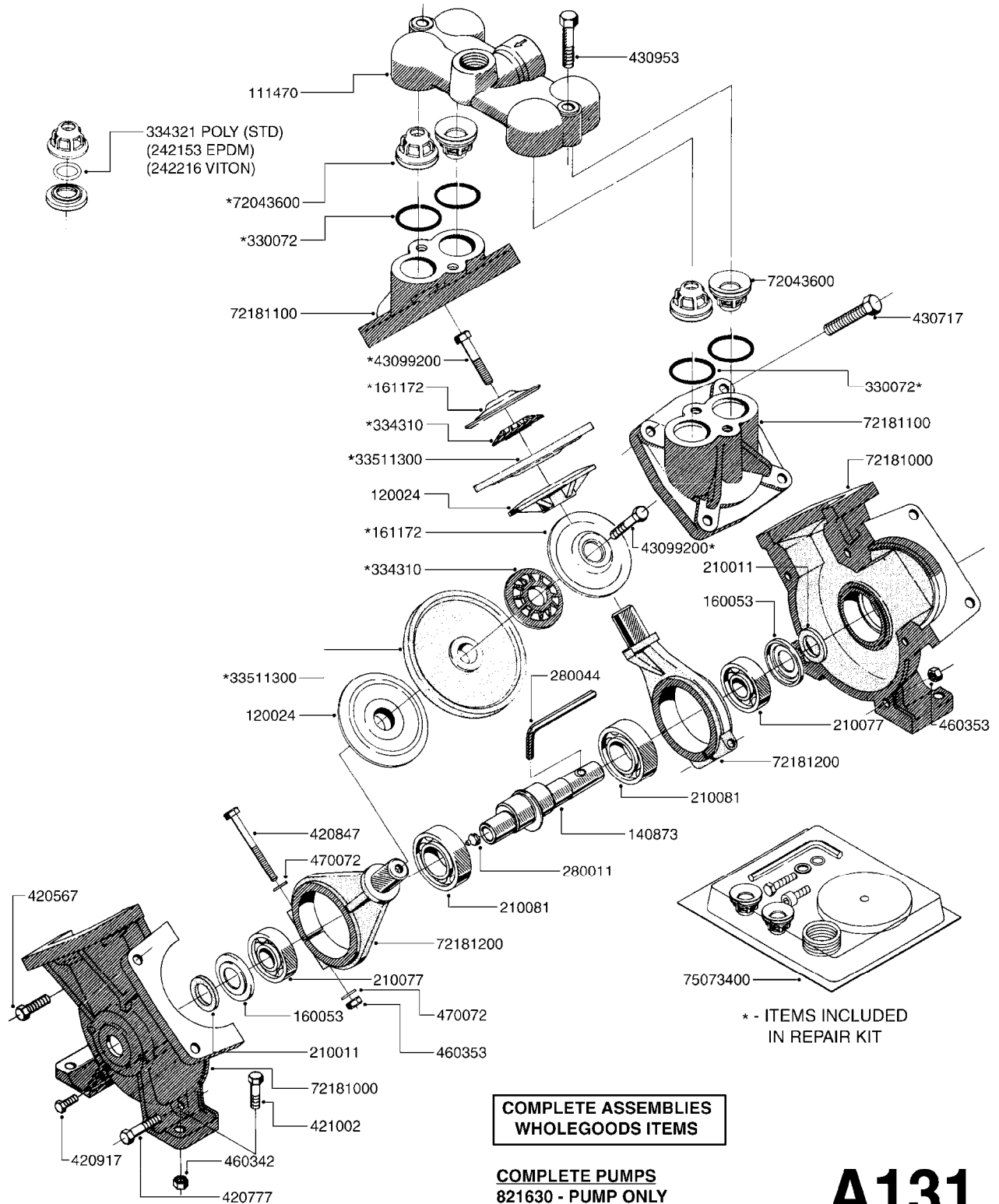
A130



PUMP - 1202 W/MOUNTING BASE
A130-HIN, 27:01:15

Page 1
Date 06.04.2015 9:06

| parts-n° | order qty | description |
|----------|-----------|-----------------------------------|
| 111470 | 1 | VALVE CHAMBER 1202 |
| 120024 | 1 | DIAPHRAGM BACK DISC 1200-1300 |
| 140873 | 1 | CRANK SHAFT MODEL 1202-9MM |
| 160053 | 1 | DUST PLATE |
| 161172 | 1 | DIAPHRAGM DISC F. 1203/1303 |
| 210011 | 1 | SEAL FELT D39/23 X 4 |
| 210077 | 1 | BEARING BALL 6305 |
| 210081 | 1 | BEARING BALL 6307 |
| 242153 | 1 | O-RING D26X4 EPDM |
| 242216 | 1 | O-RING VITON F/1202/1302/462 |
| 280011 | 1 | GREASE NIPPLE 1/8' H TR |
| 280044 | 1 | KEY HEXAGON W6 3/16' |
| 330072 | 1 | O-RING D53.5/D45.5X4 |
| 334310 | 1 | NYLON WASHER 1202/1302/462 |
| 334321 | 1 | O-RING POLY. 34.0x26.0x4.0 |
| 420066 | 1 | BOLT HEX 8.8 DEL 3/8"X50MM |
| 420162 | 1 | BOLT HEX 8.8 DEL 3/8"x15MM |
| 420836 | 1 | BOLT HEX 8.8 RAW M8X85 |
| 421002 | 1 | BOLT HEX 8.8 DEL M10X30 FT DIN933 |
| 421259 | 1 | BOLT HEX UNC7/16"x2.25" 18-8SS |
| 430032 | 1 | BOLT HEX 8.8 RAW 1/2'X55MM |
| 430404 | 1 | BOLT HEX 8.8 DEL M12X50 |
| 460342 | 1 | NUT HEX M10 DEL DIN934 |
| 460353 | 1 | NUT HEX M8 BLACK |
| 460375 | 1 | NUT HEX M12 BLACK |
| 460434 | 1 | NUT HEX 3/8' NC BLACK |
| 470072 | 1 | WASHER D15/D8X.5 LOCK |
| 33511300 | 1 | DIAPHRAGM 1202-1303 POLY 2006 |
| 72043600 | 1 | VALVE FOR 462/463 |
| 72181000 | 1 | HOUSING, PUMP, 1203 RED |
| 72181100 | 1 | DIAPHRAGM COVER 1203/1303+BLTS |
| 72181200 | 1 | CONNECTING ROD FOR 1203 W/M12 |
| 75073300 | 1 | PUMP KIT 1200/1202 "06" |



COMPLETE ASSEMBLIES
WHOLEGOODS ITEMS

COMPLETE PUMPS
821630 - PUMP ONLY
10396003 - WITH PTO & DAMPER

A131



PUMP - 1203 W/MOUNTING BASE
A131-HIN, 08:11:11

Page 1

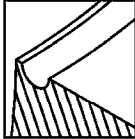
Date 06.04.2015 9:06

| parts-n° | order qty | description |
|----------|-----------|-----------------------------------|
| 111470 | 1 | VALVE CHAMBER 1202 |
| 120024 | 1 | DIAPHRAGM BACK DISC 1200-1300 |
| 140873 | 1 | CRANK SHAFT MODEL 1202-9MM |
| 160053 | 1 | DUST PLATE |
| 161172 | 1 | DIAPHRAGM DISC F. 1203/1303 |
| 210011 | 1 | SEAL FELT D39/23 X 4 |
| 210077 | 1 | BEARING BALL 6305 |
| 210081 | 1 | BEARING BALL 6307 |
| 242153 | 1 | O-RING D26X4 EPDM |
| 242216 | 1 | O-RING VITON F/1202/1302/462 |
| 280011 | 1 | GREASE NIPPLE 1/8' H TR |
| 280044 | 1 | KEY HEXAGON W6 3/16' |
| 330072 | 1 | O-RING D53.5/D45.5X4 |
| 334310 | 1 | NYLON WASHER 1202/1302/462 |
| 334321 | 1 | O-RING POLY. 34.0x26.0x4.0 |
| 420567 | 1 | BOLT HEX 8.8 DEL M8X30 FT |
| 420777 | 1 | BOLT HEX 8.8 RAW M8X50 |
| 420847 | 1 | BOLT HEX 8.8 DEL M8X85 |
| 420917 | 1 | BOLT HEX 8.8 RAW M8X12 FT |
| 421002 | 1 | BOLT HEX 8.8 DEL M10X30 FT DIN933 |
| 430717 | 1 | BOLT HEX 8.8 RAW M12x40 |
| 430953 | 1 | BOLT, M12 X 55 8.8 |
| 460342 | 1 | NUT HEX M10 DEL DIN934 |
| 460353 | 1 | NUT HEX M8 BLACK |
| 470072 | 1 | WASHER D15/D8X.5 LOCK |
| 821630 | 1 | PUMP 1203/9 540RPM |
| 10396003 | 1 | PUMP 1203 C/W PTO 540 RPM |
| 33511300 | 1 | DIAPHRAGM 1202-1303 POLY 2006 |
| 43099200 | 1 | BOLT HEX SS M12 X 30 DIN933 A4 |
| 72043600 | 1 | VALVE FOR 462/463 |
| 72181000 | 1 | HOUSING, PUMP, 1203 RED |
| 72181100 | 1 | DIAPHRAGM COVER 1203/1303+BLTS |
| 72181200 | 1 | CONNECTING ROD FOR 1203 W/M12 |
| 75073400 | 1 | PUMP KIT 1203 MM "06" |



Housing for Black Diaphragm-

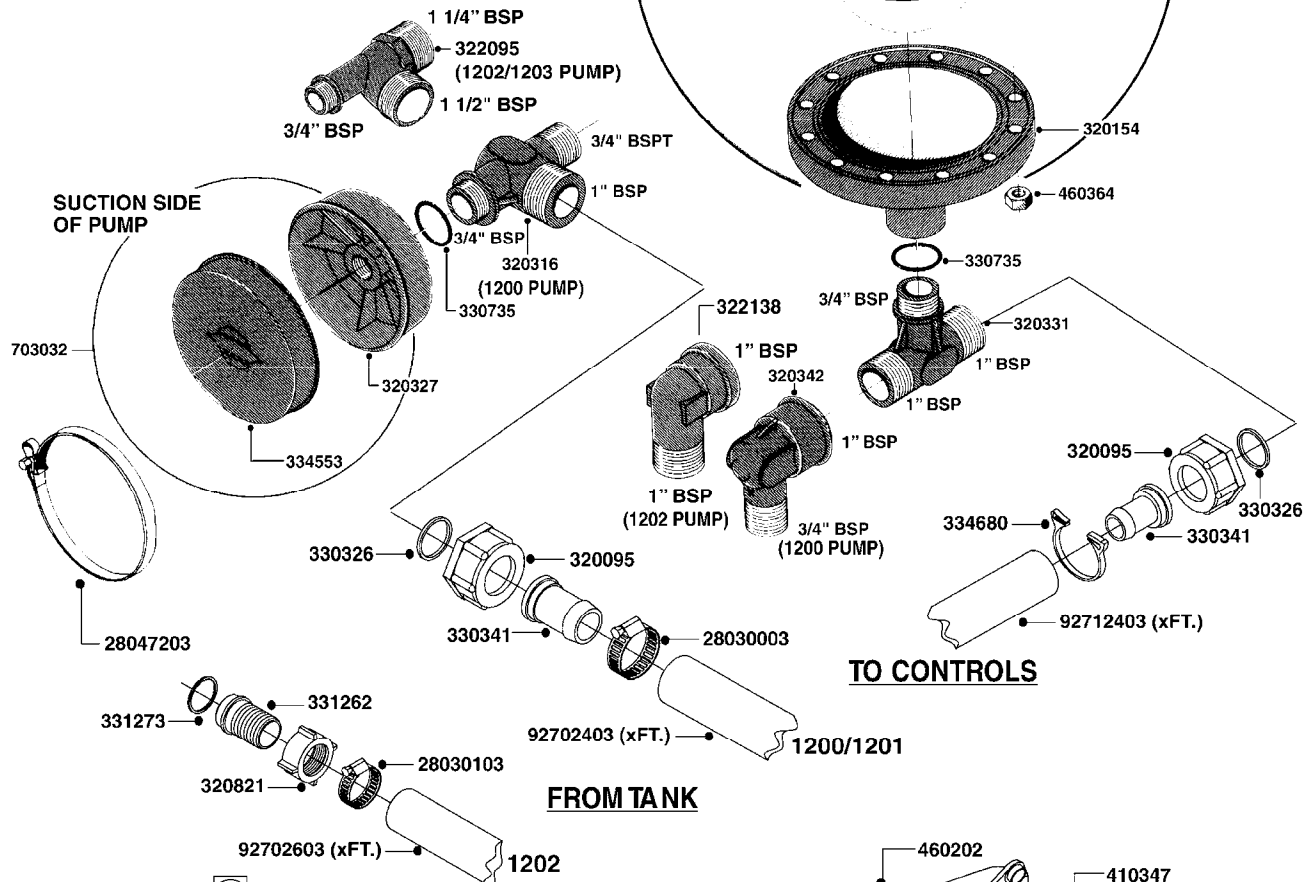
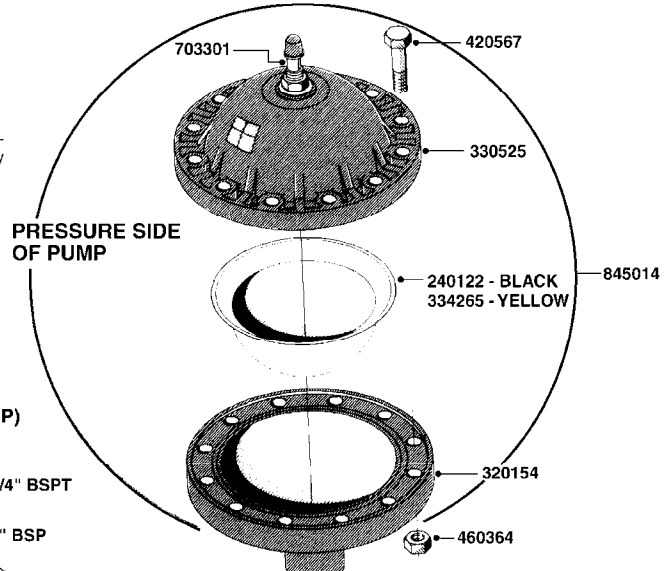
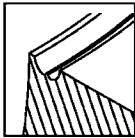
This groove on the lower housing of the Pressure Damper is for the BLACK diaphragm (240122). Never upgrade diaphragms to the YELLOW style unless you also upgrade Pressure Dampers to the housing style shown below.



The YELLOW style diaphragm will not seal correctly in this housing.

Housing for Yellow Diaphragm-

The groove on the lower housing of a the Pressure Damper is recognized by the extra lip on the bottom inside of the groove. For this style Pressure Damper, you need the YELLOW diaphragm (334265).



#821630 1203 PUMP (REPLACES 1202 PUMP)
#726854 COMPLETE DAMPER KIT (SUCTION & PRESSURE)

COMPLETE ASSEMBLIES
WHOLEGOODS ITEMS

A170

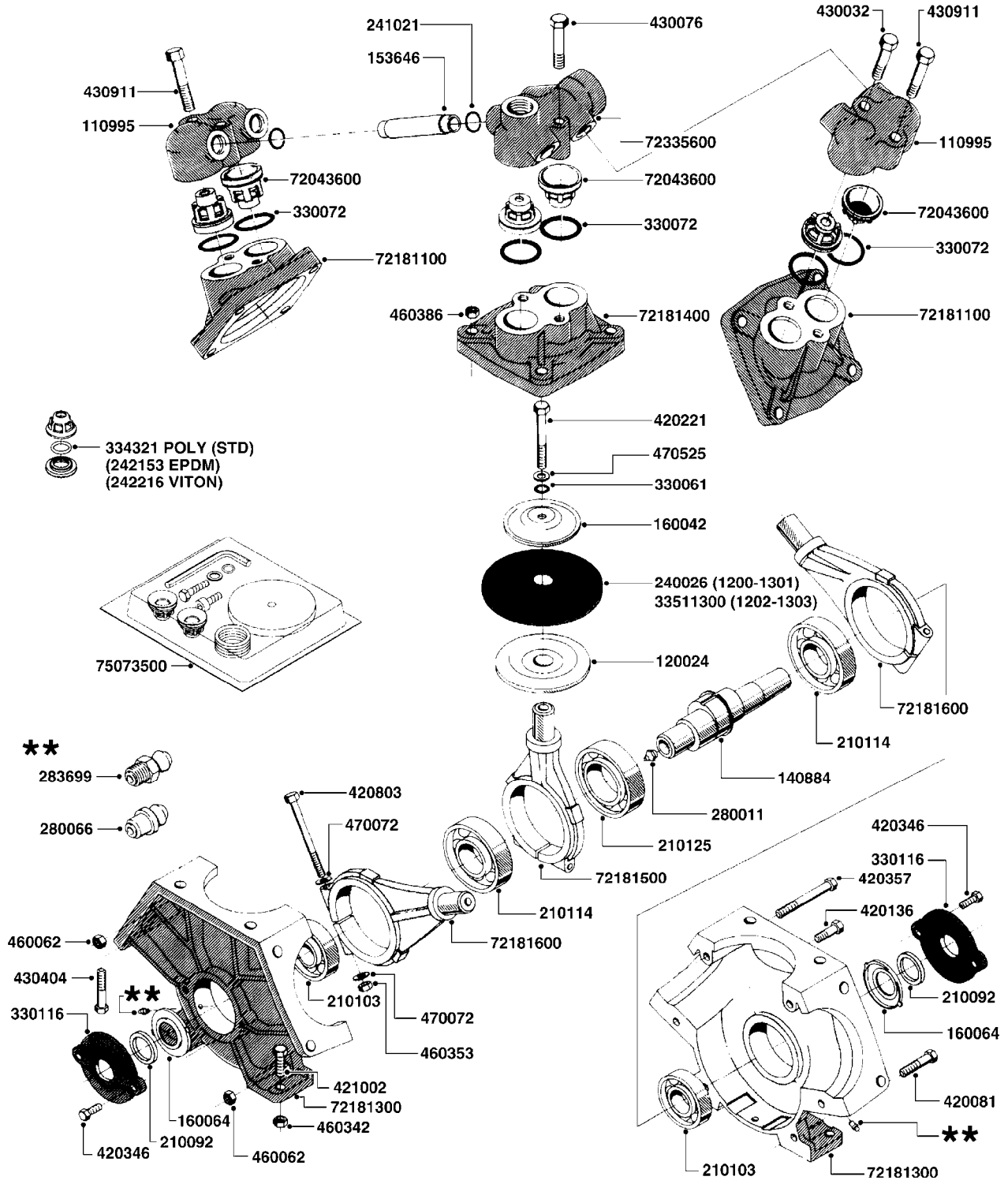


PUMP - 1200/1202/1203 FITTINGS
A170-HIN, 28:07:14

Page 1

Date 06.04.2015 9:06

| parts-n° | order qty | description |
|----------|-----------|------------------------------------|
| 240122 | 1 | DIAPHRAGM FOR PRES.DAMP.(EPDM) |
| 320095 | 1 | FITT.DK NUT 1" BSP |
| 320154 | 1 | AIR BOTTLE, BOTTOM PART |
| 320316 | 1 | FITT.DK TEE 3/4" X3/4" X1"BSP |
| 320327 | 1 | HOUSING F. SUCTION AIR BOTTLE |
| 320331 | 1 | FITT.DK TEE 1" - 1" - 3/4" BSP |
| 320342 | 1 | FITT.DK EL 3/4"M X 1"F BSP |
| 320821 | 1 | FITT.DK NUT 1-1/2" BSP |
| 322095 | 1 | FITT.DK TEE 1-1/2 X1-1/4 X3/4" BSP |
| 322138 | 1 | FITT.DK ELB 1"M X 1"F BSP |
| 330326 | 1 | O-RING D30/D24X2 F.1"NUT |
| 330341 | 1 | FITT.DK HB 1" F. 1" NUT |
| 330525 | 1 | AIR BOTTLE, TOP HALF |
| 330735 | 1 | O-RING D30/D26X2 |
| 330746 | 1 | GUARD PTO LOWER PART SHORT |
| 330757 | 1 | GUARD PTO UPPER PART SHORT |
| 331262 | 1 | FITT.DK HB 1-1/2" F. 1-1/2"NUT |
| 331273 | 1 | O-RING D44/D38X2 F.1-1/2" |
| 334265 | 1 | DIAPHRAGM F. PRESS DAMP.NITRIL |
| 334553 | 1 | DIAPHRAGM F.SUCTION AIR BOTTLE |
| 334680 | 1 | CLAMP HOSE PLASTIC 1" |
| 410347 | 1 | SCREW M6X20 8.8 |
| 420162 | 1 | BOLT HEX 8.8 DEL 3/8"x15MM |
| 420567 | 1 | BOLT HEX 8.8 DEL M8X30 FT |
| 460202 | 1 | NUT HEX M6 |
| 460364 | 1 | NUT HEX M8 GALV. |
| 471122 | 1 | WASHER D20/D10.5X2 SS |
| 703032 | 1 | SUCTION AIR BOTTLE 3/4" COMPL. |
| 703301 | 1 | VALVE FOR AIR BOTTLE |
| 726854 | 1 | DAMPER KIT 1203/1303 |
| 821630 | 1 | PUMP 1203/9 540RPM |
| 845014 | 1 | AIR BOTTLE COMPLETE HJ73 |
| 28030003 | 1 | CLAMP HOSE GEAR P1" 6716 |
| 28030103 | 1 | CLAMP HOSE GEAR P5/4-S1.5"6724 |
| 28047203 | 1 | CLAMP HOSE GEAR 60 X 80 6756 |
| 92702403 | 1 | HOSE PVC SUCT GRAY 1" |
| 92702603 | 1 | HOSE PVC SUCT GRAY 1-1/2" |
| 92712403 | 1 | HOSE R X1" X300PSI WP X0012" |



A180

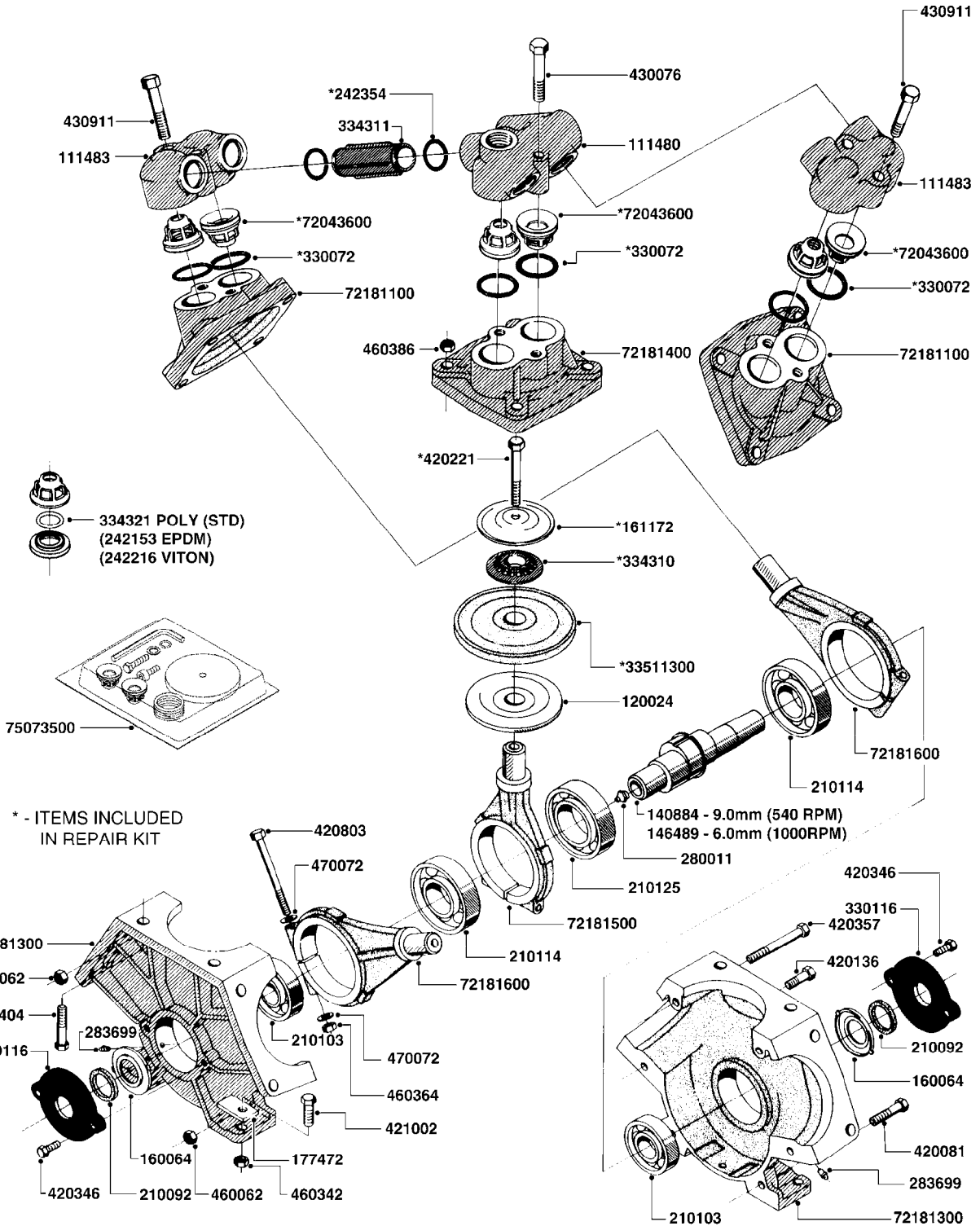


PUMP - 1301 W/ MOUNTING BASE
A180-HIN, 08:11:11

Page 1

Date 06.04.2015 9:06

| parts-n° | order qty | description |
|----------|-----------|-----------------------------------|
| 110995 | 1 | VALVE CHAMBER SIDE MODEL 1301 |
| 120024 | 1 | DIAPHRAGM BACK DISC 1200-1300 |
| 140884 | 1 | CRANK SHAFT MODEL 1300-9 |
| 153646 | 1 | CONNECTION PIPE INLET MOD 1301 |
| 160042 | 1 | DIAPHRAGM UPPER DISC 1200-1300 |
| 160064 | 1 | DUST PLATE |
| 210092 | 1 | SEAL FELT D43/30X5 |
| 210103 | 1 | BEARING BALL 6306 |
| 210114 | 1 | BEARING BALL 6308 |
| 210125 | 1 | BEARING BALL 6210 |
| 240026 | 1 | DIAPHRAGM MODEL 1200/1301 |
| 241021 | 1 | O-RING D21,89X2,62 NITRIL |
| 242153 | 1 | O-RING D26X4 EPDM |
| 242216 | 1 | O-RING VITON F/1202/1302/462 |
| 280011 | 1 | GREASE NIPPLE 1/8' H TR |
| 280066 | 1 | GREASE NIPPLE H 1A6 |
| 283699 | 1 | GREASE NIPPLE M6X1 |
| 330061 | 1 | O-RING D16/D11X2,5 |
| 330072 | 1 | O-RING D53.5/D45.5X4 |
| 330116 | 1 | SEAL RETAINER, MODEL 1300 |
| 334321 | 1 | O-RING POLY. 34.0x26.0x4.0 |
| 420081 | 1 | BOLT HEX 8.8 DEL 3/8'X40MM |
| 420136 | 1 | BOLT HEX 8.8 RAW 3/8'X30MM |
| 420221 | 1 | BOLT HEX 7/16'X2-1/4' |
| 420346 | 1 | BOLT HEX 8.8 DEL 3/8'X 25MM |
| 420357 | 1 | BOLT HEX 8.8 RAW 3/8'X85MM |
| 420803 | 1 | BOLT HEX 8.8 DEL M8X90 |
| 421002 | 1 | BOLT HEX 8.8 DEL M10X30 FT DIN933 |
| 430032 | 1 | BOLT HEX 8.8 RAW 1/2'X55MM |
| 430076 | 1 | BOLT HEX 8.8 RAW 1/2'X60MM |
| 430404 | 1 | BOLT HEX 8.8 DEL M12X50 |
| 430911 | 1 | BOLT HEX 8.8 WG 1/2" x 70MM |
| 460062 | 1 | NUT HEX 3/8' GALV. |
| 460342 | 1 | NUT HEX M10 DEL DIN934 |
| 460353 | 1 | NUT HEX M8 BLACK |
| 460386 | 1 | NUT HEX M12X1.75 |
| 470072 | 1 | WASHER D15/D8X.5 LOCK |
| 470525 | 1 | WASHER D19/D11.5X2.5 |
| 33511300 | 1 | DIAPHRAGM 1202-1303 POLY 2006 |
| 72043600 | 1 | VALVE FOR 462/463 |
| 72181100 | 1 | DIAPHRAGM COVER 1203/1303+BLTS |
| 72181300 | 1 | PUMP CASTING 1300 RED W/BOLTS |
| 72181400 | 1 | DIAPHRAGM COVER 1303 W/BOLTS |
| 72181500 | 1 | CONNECTING ROD, CENTER 1303 |
| 72181600 | 1 | CONNECTING ROD, SIDE MOD.1300 |
| 72335600 | 1 | CENTER VALVE CHAMBER 1302 RED |
| 75073500 | 1 | PUMP KIT 1300/1302 "06" |



A190

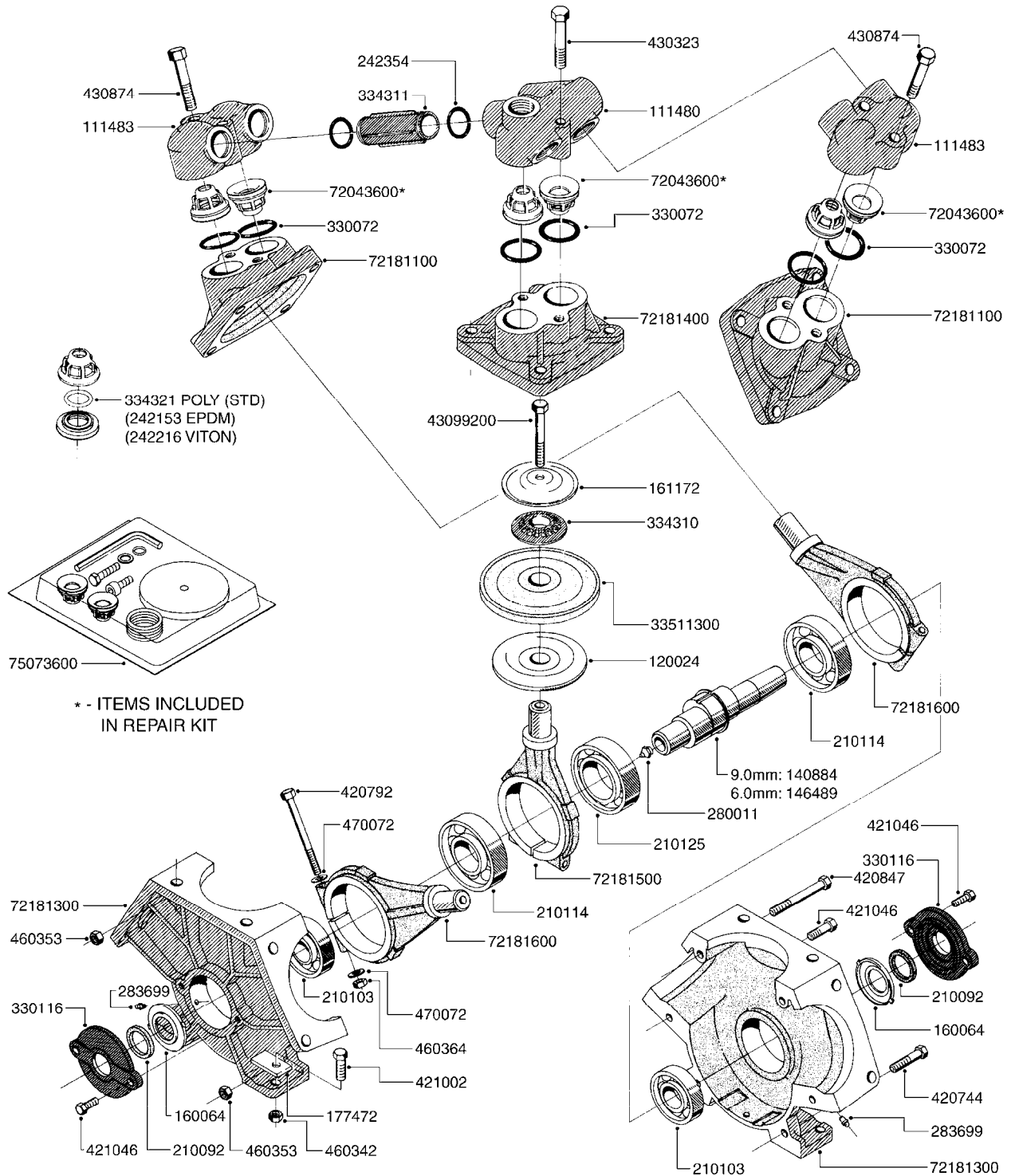


PUMP - 1302 W/ MOUNTING BASE
A190-HIN, 08:11:11

Page 1

Date 06.04.2015 9:06

| parts-n° | order qty | description |
|----------|-----------|-----------------------------------|
| 111480 | 1 | VALVE HEAD 1302 CENTER |
| 111483 | 1 | VALVE HEAD SIDE 1302 |
| 120024 | 1 | DIAPHRAGM BACK DISC 1200-1300 |
| 140884 | 1 | CRANK SHAFT MODEL 1300-9 |
| 146489 | 1 | CRANK SHAFT MODEL 1302-6MM |
| 160064 | 1 | DUST PLATE |
| 161172 | 1 | DIAPHRAGM DISC F. 1203/1303 |
| 177472 | 1 | BRACKET 25 X 5 |
| 210092 | 1 | SEAL FELT D43/30X5 |
| 210103 | 1 | BEARING BALL 6306 |
| 210114 | 1 | BEARING BALL 6308 |
| 210125 | 1 | BEARING BALL 6210 |
| 242153 | 1 | O-RING D26X4 EPDM |
| 242216 | 1 | O-RING VITON F/1202/1302/462 |
| 242354 | 1 | O-RING D32.2X3.0 VITON F.S-53 |
| 280011 | 1 | GREASE NIPPLE 1/8' H TR |
| 283699 | 1 | GREASE NIPPLE M6X1 |
| 330072 | 1 | O-RING D53.5/D45.5X4 |
| 330116 | 1 | SEAL RETAINER, MODEL 1300 |
| 334310 | 1 | NYLON WASHER 1202/1302/462 |
| 334311 | 1 | CONNECTION PIPE INLET MOD.1302 |
| 334321 | 1 | O-RING POLY. 34.0x26.0x4.0 |
| 420081 | 1 | BOLT HEX 8.8 DEL 3/8'X40MM |
| 420136 | 1 | BOLT HEX 8.8 RAW 3/8'X30MM |
| 420221 | 1 | BOLT HEX 7/16'X2-1/4' |
| 420346 | 1 | BOLT HEX 8.8 DEL 3/8'X 25MM |
| 420357 | 1 | BOLT HEX 8.8 RAW 3/8'X85MM |
| 420803 | 1 | BOLT HEX 8.8 DEL M8X90 |
| 421002 | 1 | BOLT HEX 8.8 DEL M10X30 FT DIN933 |
| 430076 | 1 | BOLT HEX 8.8 RAW 1/2'X60MM |
| 430404 | 1 | BOLT HEX 8.8 DEL M12X50 |
| 430911 | 1 | BOLT HEX 8.8 WG 1/2" x 70MM |
| 460062 | 1 | NUT HEX 3/8' GALV. |
| 460342 | 1 | NUT HEX M10 DEL DIN934 |
| 460364 | 1 | NUT HEX M8 GALV. |
| 460386 | 1 | NUT HEX M12X1.75 |
| 470072 | 1 | WASHER D15/D8X.5 LOCK |
| 33511300 | 1 | DIAPHRAGM 1202-1303 POLY 2006 |
| 72043600 | 1 | VALVE FOR 462/463 |
| 72181100 | 1 | DIAPHRAGM COVER 1203/1303+BLTS |
| 72181300 | 1 | PUMP CASTING 1300 RED W/BOLTS |
| 72181400 | 1 | DIAPHRAGM COVER 1303 W/BOLTS |
| 72181500 | 1 | CONNECTING ROD, CENTER 1303 |
| 72181600 | 1 | CONNECTING ROD, SIDE MOD.1300 |
| 75073500 | 1 | PUMP KIT 1300/1302 "06" |



COMPLETE PUMPS
821635 - PUMP ONLY
10396203 - WITH PTO & DAMPER

COMPLETE ASSEMBLIES
WHOLEGOODS ITEMS

A191



PUMP - 1303 W/ MOUNTING BASE
A191-HIN, 08:11:11

Page 1

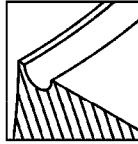
Date 06.04.2015 9:06

| parts-n° | order qty | description |
|----------|-----------|-------------------------------------|
| 111480 | 1 | VALVE HEAD 1302 CENTER |
| 111483 | 1 | VALVE HEAD SIDE 1302 |
| 120024 | 1 | DIAPHRAGM BACK DISC 1200-1300 |
| 140884 | 1 | CRANK SHAFT MODEL 1300-9 |
| 146489 | 1 | CRANK SHAFT MODEL 1302-6MM |
| 160064 | 1 | DUST PLATE |
| 161172 | 1 | DIAPHRAGM DISC F. 1203/1303 |
| 177472 | 1 | BRACKET 25 X 5 |
| 210092 | 1 | SEAL FELT D43/30X5 |
| 210103 | 1 | BEARING BALL 6306 |
| 210114 | 1 | BEARING BALL 6308 |
| 210125 | 1 | BEARING BALL 6210 |
| 242153 | 1 | O-RING D26X4 EPDM |
| 242216 | 1 | O-RING VITON F/1202/1302/462 |
| 242354 | 1 | O-RING D32.2X3.0 VITON F.S-53 |
| 280011 | 1 | GREASE NIPPLE 1/8" H TR |
| 283699 | 1 | GREASE NIPPLE M6X1 |
| 330072 | 1 | O-RING D53.5/D45.5X4 |
| 330116 | 1 | SEAL RETAINER, MODEL 1300 |
| 334310 | 1 | NYLON WASHER 1202/1302/462 |
| 334311 | 1 | CONNECTION PIPE INLET MOD.1302 |
| 334321 | 1 | O-RING POLY. 34.0x26.0x4.0 |
| 420744 | 1 | BOLT HEX 8.8 DEL M8X40 |
| 420792 | 1 | BOLT HEX 8.8 RAW M8X95 |
| 420847 | 1 | BOLT HEX 8.8 DEL M8X85 |
| 421002 | 1 | BOLT HEX 8.8 DEL M10X30 FT DIN933 |
| 421046 | 1 | BOLT HEX 8.8 DEL M8X25 FT A2 DIN933 |
| 430323 | 1 | BOLT HEX 8.8 DEL M12X60 |
| 430874 | 1 | SCREW SET 8.8 DEL M12X70 FT |
| 460342 | 1 | NUT HEX M10 DEL DIN934 |
| 460353 | 1 | NUT HEX M8 BLACK |
| 460364 | 1 | NUT HEX M8 GALV. |
| 470072 | 1 | WASHER D15/D8X.5 LOCK |
| 821635 | 1 | PUMP 1303/9 540RPM |
| 10396203 | 1 | PUMP 1303 C/W PTO 540 RPM |
| 33511300 | 1 | DIAPHRAGM 1202-1303 POLY 2006 |
| 43099200 | 1 | BOLT HEX SS M12 X 30 DIN933 A4 |
| 72043600 | 1 | VALVE FOR 462/463 |
| 72181100 | 1 | DIAPHRAGM COVER 1203/1303+BLTS |
| 72181300 | 1 | PUMP CASTING 1300 RED W/BOLTS |
| 72181400 | 1 | DIAPHRAGM COVER 1303 W/BOLTS |
| 72181500 | 1 | CONNECTING ROD, CENTER 1303 |
| 72181600 | 1 | CONNECTING ROD, SIDE MOD.1300 |
| 75073600 | 1 | PUMP KIT 1303 MM "06" |



Housing for Black Diaphragm-

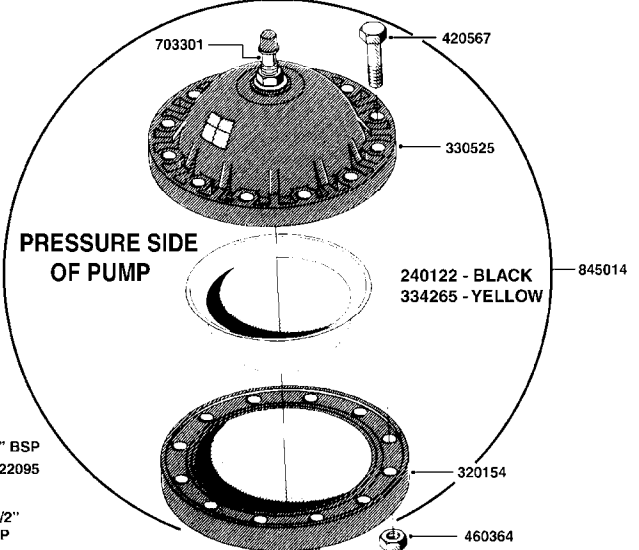
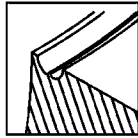
This groove on the lower housing of the Pressure Damper is for the BLACK diaphragm (240122). Never upgrade diaphragms to the YELLOW style unless you also upgrade Pressure Dampers to the housing style shown below.



The YELLOW style diaphragm will not seal correctly in this housing.

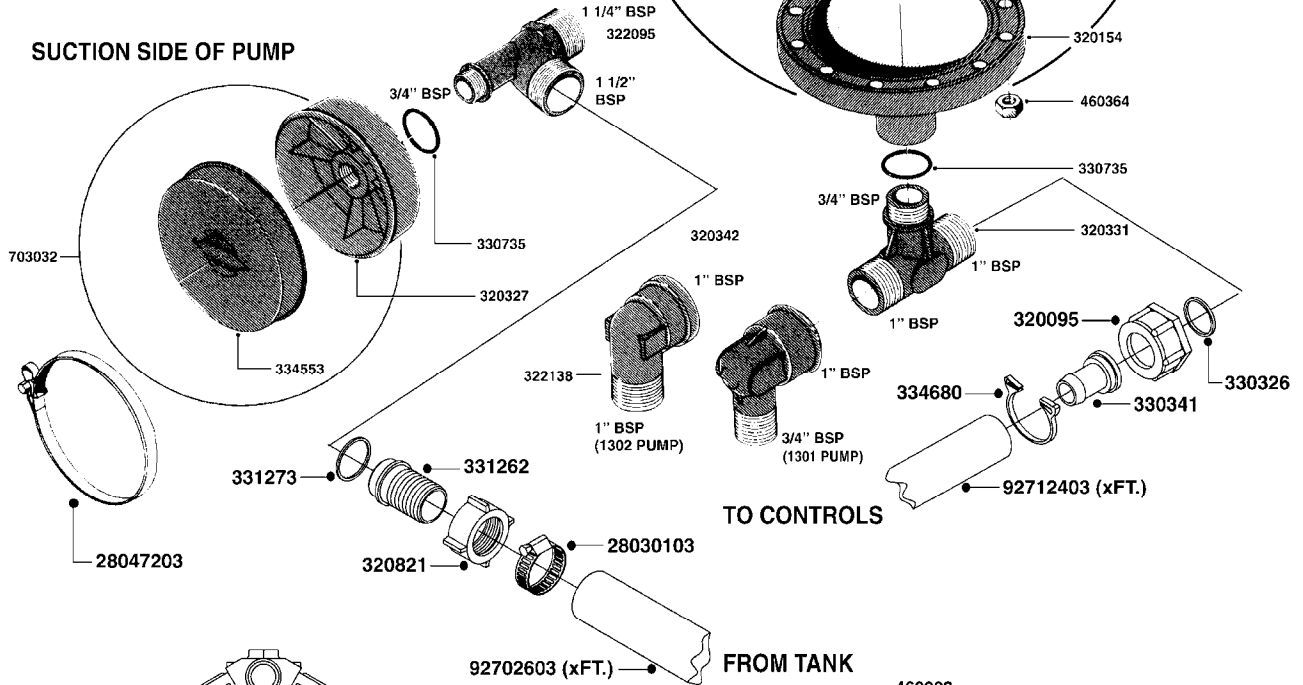
Housing for Yellow Diaphragm-

The groove on the lower housing of a the Pressure Damper is recognized by the extra lip on the bottom inside of the groove. For this style Pressure Damper, you need the YELLOW diaphragm (334265).



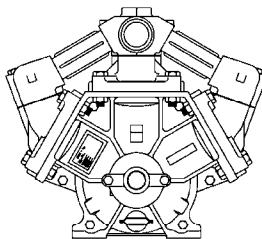
PRESSURE SIDE OF PUMP

SUCTION SIDE OF PUMP



TO CONTROLS

FROM TANK



NLA - 1302 PUMP (REPLACES 1301 PUMP)
#726854 - COMPLETE DAMPER KIT (SUCTION & PRESSURE)

COMPLETE ASSEMBLIES
WHOLEGOODS ITEMS

A220

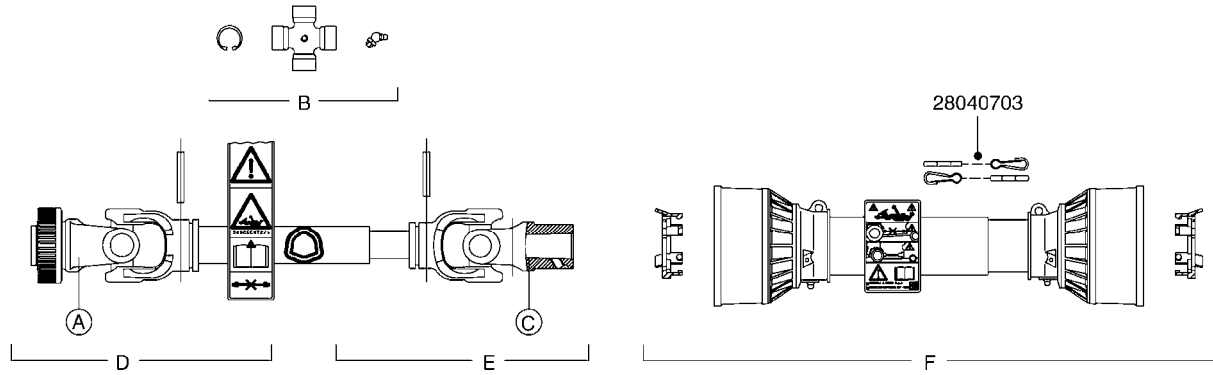


PUMP - 1301/1302 FITTINGS
A220-HIN, 28:07:14

Page 1

Date 06.04.2015 9:06

| parts-n° | order qty | description |
|----------|-----------|------------------------------------|
| 240122 | 1 | DIAPHRAGM FOR PRES.DAMP.(EPDM) |
| 320095 | 1 | FITT.DK NUT 1" BSP |
| 320154 | 1 | AIR BOTTLE, BOTTOM PART |
| 320327 | 1 | HOUSING F. SUCTION AIR BOTTLE |
| 320331 | 1 | FITT.DK TEE 1" - 1" - 3/4" BSP |
| 320342 | 1 | FITT.DK EL 3/4"M X 1"F BSP |
| 320821 | 1 | FITT.DK NUT 1-1/2" BSP |
| 322095 | 1 | FITT.DK TEE 1-1/2 X1-1/4 X3/4" BSP |
| 322138 | 1 | FITT.DK ELB 1"M X 1"F BSP |
| 330326 | 1 | O-RING D30/D24X2 F.1"NUT |
| 330341 | 1 | FITT.DK HB 1" F. 1" NUT |
| 330525 | 1 | AIR BOTTLE, TOP HALF |
| 330735 | 1 | O-RING D30/D26X2 |
| 330746 | 1 | GUARD PTO LOWER PART SHORT |
| 330757 | 1 | GUARD PTO UPPER PART SHORT |
| 331262 | 1 | FITT.DK HB 1-1/2" F. 1-1/2"NUT |
| 331273 | 1 | O-RING D44/D38X2 F.1-1/2" |
| 334265 | 1 | DIAPHRAGM F. PRESS DAMP.NITRIL |
| 334553 | 1 | DIAPHRAGM F.SUCTION AIR BOTTLE |
| 334680 | 1 | CLAMP HOSE PLASTIC 1" |
| 410347 | 1 | SCREW M6X20 8.8 |
| 420162 | 1 | BOLT HEX 8.8 DEL 3/8"x15MM |
| 420567 | 1 | BOLT HEX 8.8 DEL M8X30 FT |
| 460202 | 1 | NUT HEX M6 |
| 460364 | 1 | NUT HEX M8 GALV. |
| 471122 | 1 | WASHER D20/D10.5X2 SS |
| 703032 | 1 | SUCTION AIR BOTTLE 3/4" COMPL. |
| 703301 | 1 | VALVE FOR AIR BOTTLE |
| 726854 | 1 | DAMPER KIT 1203/1303 |
| 845014 | 1 | AIR BOTTLE COMPLETE HJ73 |
| 28030103 | 1 | CLAMP HOSE GEAR P5/4-S1.5"6724 |
| 28047203 | 1 | CLAMP HOSE GEAR 60 X 80 6756 |
| 92702603 | 1 | HOSE PVC SUCT GRAY 1-1/2" |
| 92712403 | 1 | HOSE R X1" X300PSI WP X0012" |



| PTO | TRACTOR | IMPLEMENT | LENGTH | A | B | C | D | E | F |
|----------|---------------------|---------------------|-----------|----------|----------|----------|----------|----------|----------|
| 28020203 | 1-3/4" 20-SPLINE | 1-3/8" 21-SPLINE | 860/1313 | 28015703 | 28009403 | 28040603 | 28015803 | 28015903 | 28016003 |
| 28020303 | 1-3/8" 21-SPLINE | 1-3/8" 21-SPLINE | 860/1328 | 28015103 | 28015203 | 28015303 | 28015403 | 28015503 | 28015603 |
| 829445 | 1-3/8" 6-SPLINE | 1-3/8" 6-SPLINE | 810/1219 | 284041 | 289045 | 289041 | 28016703 | 28016803 | 289050 |
| 829446 | 1-3/8" 6-SPLINE | 1-3/8" 6-SPLINE | 810/1230 | 289040 | 284041 | 289040 | 28016203 | 28016303 | 289049 |
| 829480 | 1-3/8" 21-SPLINE | 1-3/8" 21-SPLINE | 1210/1912 | 28005200 | 289042 | 28005800 | 28006700 | 28007300 | 28008100 |
| 829482 * | 1-3/8" 6-SPLINE | Ø25 CONE 3 | 610/912 | 28005400 | 289042 | 28006000 | 28008500 | 28007500 | 28008600 |
| 829483 * | 1-3/8" 6-SPLINE | Ø30 CONE 4 | 610/912 | 28005400 | 289042 | 28006100 | 28008500 | - | 28008600 |
| 829484 * | 1-3/8" 6-SPLINE | 1-3/8" 6-SPLINE | 610/912 | 28005400 | 289042 | 28006200 | 28008500 | - | 28008600 |
| 829486 | 1-3/8" 6-SPLINE | Ø30 CONE 4 | 860/1328 | 28005400 | 289042 | 28006100 | 28006900 | - | 28008100 |
| 829487 * | 1-3/8" 6-SPLINE | 1-3/8" 6-SPLINE | 860/1328 | 28005400 | 289042 | 28006200 | 28006900 | - | 28008100 |
| 829490 | 1-3/8" 6-SPLINE | Ø30 CONE 4 | 1210/1912 | 28005400 | 289042 | 28006100 | 28006900 | - | 28008100 |
| 829491 | 1-3/8" 6-SPLINE | Ø1" | 610/912 | 28005400 | 289042 | 28006300 | 28008500 | 28007800 | 28008600 |
| 829502 * | 1-3/8" 6-SPLINE | 1-3/8" 6-SPLINE | 1210/1912 | 28068800 | 28069700 | 28073000 | - | - | 28072800 |

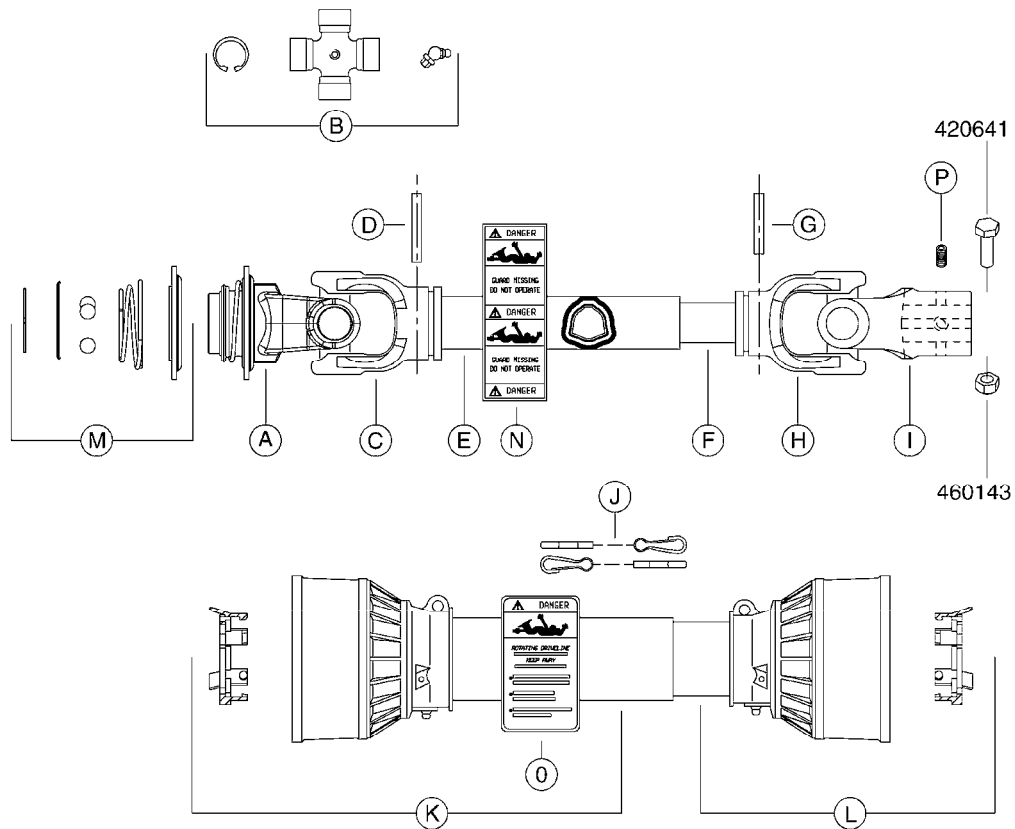
* Supplier changed in 2011 - see page A560 for "AMA" PTO's (yellow and black shields).

A480



PTO SHAFTS - BONDIOLI DIAPH.
A480-HIN, 13:12:11

| parts-n° | order qty | description |
|----------|-----------|---------------------------------|
| 284041 | 1 | UNIV. JOINT 27x70mm |
| 289040 | 1 | PTO YOKE 1-3/8" X 6 SPLINE |
| 289041 | 1 | PTO YOKE 1-3/8" X 6 SPLINE |
| 289042 | 1 | UNIV. JOINT 22x54mm |
| 289045 | 1 | UNIV. JOINT 30.2x79.4mm |
| 289049 | 1 | PTO SHIELD COMPLETE F.829446 |
| 289050 | 1 | PTO SHIELD COMPLETE F.829445 |
| 829445 | 1 | PTO 1-3/8/6X1-3/8/6X810M AXIAL |
| 829446 | 1 | PTO SHAFT LE-SPV + LP ZE-P540 |
| 829480 | 1 | PTO 1-3/8/21 x 1-3/8/21x1210MM |
| 829482 | 1 | PTO 1-3/8/6X25MM X 600MM 1202 |
| 829483 | 1 | PTO 1-3/8/6X30MM x 610MM 1302 |
| 829484 | 1 | PTO 1-3/8/6X1-3/8/6X575MM 361 |
| 829486 | 1 | PTO 1-3/8/6X30MM X870MM 1302 |
| 829487 | 1 | PTO 1-3/8/6X1-3/8/6X870MM 361 |
| 829490 | 1 | PTO 1-3/8/6X30MM 1320MM 1302 |
| 829491 | 1 | PTO 1-3/8/6X1' 610/913MM 9016 |
| 829502 | 1 | PTO 1-3/8/6x1210/1745 |
| 28005200 | 1 | PTO YOKE 1-3/8" X 21 SPLINE |
| 28005400 | 1 | PTO YOKE 1-3/8" X 6 SPLINE |
| 28005800 | 1 | PTO YOKE 1-3/8" X 21 SPLINE |
| 28006000 | 1 | PTO YOKE D25 CONE 3 DEG. |
| 28006100 | 1 | PTO YOKE D30 CONE 4 DEG. |
| 28006200 | 1 | PTO YOKE 1-3/8" X 6 SPLINE |
| 28006300 | 1 | PTO YOKE D1" |
| 28006700 | 1 | PTO HALF SHAFT - TRACTOR END |
| 28006900 | 1 | PTO HALF SHAFT - TRACTOR END |
| 28007300 | 1 | PTO INNER D1" (NO SHIELD) |
| 28007500 | 1 | PTO INNER D1" (NO SHIELD) |
| 28007800 | 1 | PTO INNER D1" (NO SHIELD) |
| 28008100 | 1 | PTO SHIELD COMPLETE |
| 28008500 | 1 | PTO HALF SHAFT - TRACTOR END |
| 28008600 | 1 | PTO SHIELD ASSY COMPLETE |
| 28009403 | 1 | UNIV. JOINT 27x74.6mm |
| 28015103 | 1 | PTO YOKE 1-3/8"X21 TWST OLD |
| 28015203 | 1 | UNIV. JOINT 23.8x61.3mm |
| 28015303 | 1 | PTO YOKE 1-3/8"X21 BALL COLLAR |
| 28015403 | 1 | PTO OUTER 1-3/8"X21 (NO SHIELD) |
| 28015503 | 1 | PTO INNER 1-3/8"X21 (NO SHIELD) |
| 28015603 | 1 | PTO SHIELD COMPLETE F.28020303 |
| 28015703 | 1 | PTO YOKE 1-3/4"X20 SPL OUTER |
| 28015803 | 1 | PTO OUTER 1-3/4"X20 (NO SHIELD) |
| 28015903 | 1 | PTO INNER 1-3/8"X21 (NO SHIELD) |
| 28016003 | 1 | PTO SHIELD COMPLETE F.10465803 |
| 28016203 | 1 | PTO OUTER 1-3/8"X6 (SHIELDED) |
| 28016303 | 1 | PTO INNER 1-3/8"X6 (NO SHIELD) |
| 28016703 | 1 | PTO OUTER 1-3/8"X6 (NO SHIELD) |
| 28016803 | 1 | PTO INNER 1-3/8"X6 (NO SHIELD) |
| 28020203 | 1 | PTO 1-3/4/20x1-3/8/21 BP L=860 |
| 28020303 | 1 | PTO 1-3/8/21 x 1-3/8/21 B&P |
| 28040603 | 1 | PTO YOKE 1-3/8X21SPL BLACK |
| 28040703 | 1 | SAFETY CHAIN F.CV BLACK PTO |
| 28068800 | 1 | PTO YOKE 1-3/8" X 6 SPLINE |
| 28069700 | 1 | UNIV. JOINT STD1 SFT |
| 28072800 | 1 | PTO SHIELD COMPLETE L=1912 SFT |
| 28073000 | 1 | PTO YOKE 1-3/8" X 6 SPLINE |



**COMPLETE ASSEMBLIES
WHOLEGOOD ITEMS**

| PTO # | 28021403 | 28021503 | 28021603 |
|-----------|-----------------|------------------|------------------|
| TRACTOR | 1-3/8" 6 SPLINE | 1-3/8" 21 SPLINE | 1-3/4" 20 SPLINE |
| IMPLEMENT | D1" | D1" | D1" |
| LENGTH | 1031/1501 | 1031/1499 | 1066/1519 |
| A | 28056703 | 28056803 | 28056903 |
| B | 289042 | 289042 | 28040503 |
| C | 28057003 | 28057003 | 28057103 |
| D | 28057203 | 28057203 | 28009803 |
| E | 28057303 | 28057303 | 28057403 |
| F | 28057503 | 28057503 | 28057603 |
| G | 28057703 | 28057703 | 28009903 |
| H | 28058503 | 28058503 | 28010103 |
| I | 28057803 | 28057803 | 28057903 |
| J | 28040703 | 28040703 | 28040703 |
| K | 28058003 | 28058003 | 28058103 |
| L | 28058203 | 28058203 | 28058303 |
| M | 28027903 | 28027903 | 28058403 |
| N | 28041803 | 28041803 | 28041803 |
| O | 28041903 | 28041903 | 28041903 |
| P | 450015 | 450015 | 450015 |

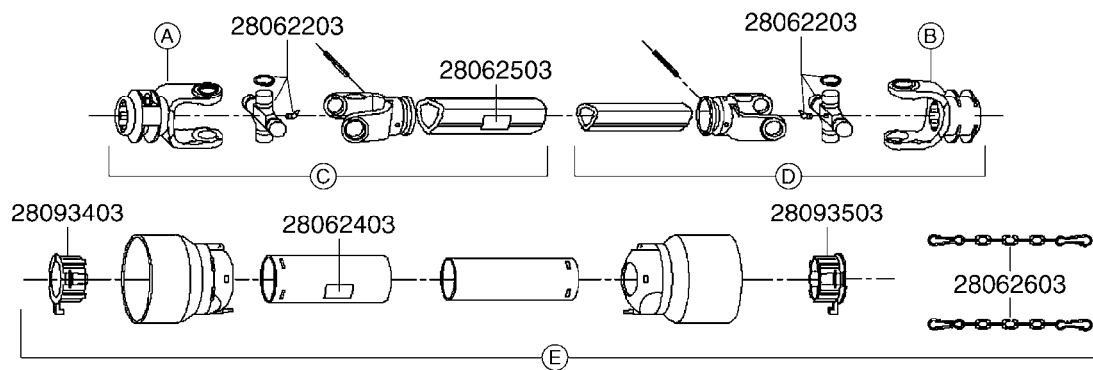
A485



PTO SHAFTS - BONDIOLI CENT.
A485-HIN, 20:01:14

Page 1
Date 06.04.2015 9:06

| parts-n° | order qty | description |
|----------|-----------|--------------------------------|
| 289042 | 1 | UNIV. JOINT 22x54mm |
| 420641 | 1 | BOLT HEX 8.8 DEL M8X35 |
| 450015 | 1 | SCREW ALLAN 3/8'X5/8' BLACK |
| 460143 | 1 | NUT HEX M8 LOCK A2 DIN985 |
| 28009803 | 1 | PTO PIN TUBE RETAINER OUTER |
| 28009903 | 1 | PTO TUBE RETAINER INNER |
| 28010103 | 1 | PTO YOKE F.INNER TUBE CV PTO |
| 28021403 | 1 | PTO 1"STR/1-3/8" 6SPL B&P |
| 28021503 | 1 | PTO 1"STR/1-3/8" 21SPL B&P |
| 28021603 | 1 | PTO 1"STR/1-3/4" 20SPL B&P |
| 28027903 | 1 | PTO BALL LOCK.KIT F.1-3/8 YOKE |
| 28040503 | 1 | UNIV. JOINT 27x74.6mm |
| 28040703 | 1 | SAFETY CHAIN F.CV BLACK PTO |
| 28041803 | 1 | DECAL DANGER GUARD MISSING |
| 28041903 | 1 | DECAL DANGER ROT.DRIVELINE |
| 28056703 | 1 | PTO YOKE #1 1-3/8" X 6 SPLINE |
| 28056803 | 1 | PTO YOKE #1 1-3/8" X 21 SPLINE |
| 28056903 | 1 | PTO YOKE #4 1-3/8" X 20 SPLINE |
| 28057003 | 1 | PTO TUBE YOKE #1-G1 OUTER |
| 28057103 | 1 | PTO TUBE YOKE #4-G4 OUTER |
| 28057203 | 1 | PTO PIN TUBE RETAINER OUTER |
| 28057303 | 1 | PTO TUBE OUTER #1 745MM |
| 28057403 | 1 | PTO TUBE OUTER #4 720MM |
| 28057503 | 1 | PTO TUBE INNER #1 745MM |
| 28057603 | 1 | PTO TUBE INNER #4 720MM |
| 28057703 | 1 | PTO TUBE RETAINER INNER |
| 28057803 | 1 | PTO TUBE YOKE #1 Ø=1" |
| 28057903 | 1 | PTO TUBE YOKE #4 Ø=1" |
| 28058003 | 1 | PTO HALF SAFETY SHIELD OUTER |
| 28058103 | 1 | PTO HALF SAFETY SHIELD OUTER |
| 28058203 | 1 | PTO HALF SAFETY SHIELD INNER |
| 28058303 | 1 | PTO HALF SAFETY SHIELD INNER |
| 28058403 | 1 | PTO BALL LOCK.KIT F.1-3/4 YOKE |
| 28058503 | 1 | PTO TUBE YOKE #1-G1 INNER |



| PTO # | 829482 | 829483 | 829484 | 829487 |
|-----------|-----------------|-----------------|-----------------|-----------------|
| TRACTOR | 1-3/8" 6 SPLINE | 1-3/8" 6 SPLINE | 1-3/8" 6 SPLINE | 1-3/8" 6 SPLINE |
| IMPLEMENT | 25 mm | 30 mm | 1-3/8" 6 SPLINE | 1-3/8" 6 SPLINE |
| LENGTH | 610/800 | 610/800 | 610/800 | 860/1050 |
| A | 28062103 | 28062103 | 28062103 | 28062103 |
| B | 28062303 | 28063003 | 28062103 | 28062103 |
| C | 28062703 | 28062703 | 28062703 | 28063403 |
| D | 28062803 | 28063103 | 28063203 | 28063503 |
| E | 28062903 | 28062903 | 28062903 | 28063303 |

Note: For "Bondioli" PTO's (previous supplier) - see page A480.

COMPLETE ASSEMBLIES
WHOLEGOOD ITEMS

A560



PTO SHAFTS - AMA DIAPHRAGM
A560-HIN, 07:01:15

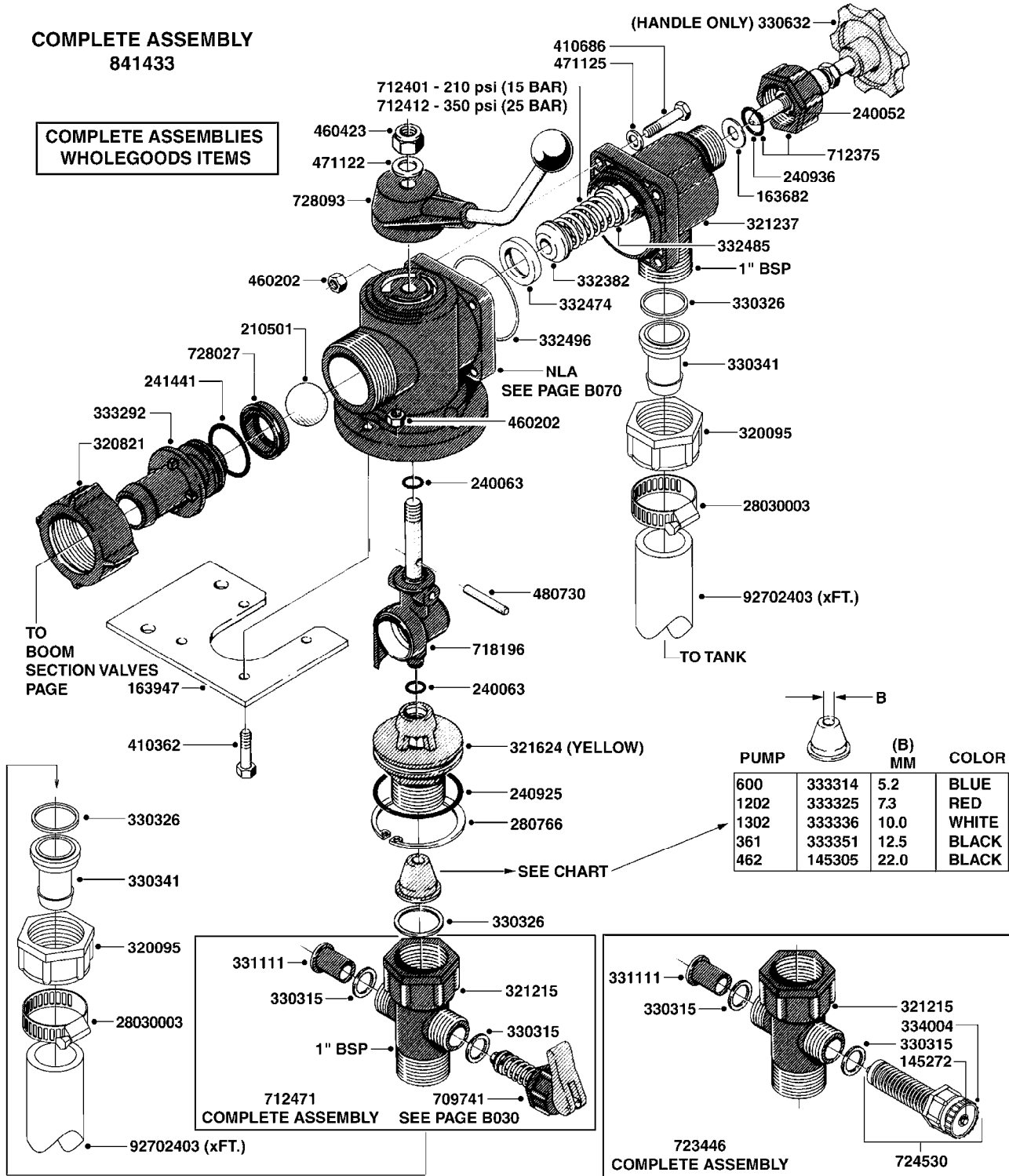
Page 1
Date 06.04.2015 9:06

| parts-n° | order qty | description |
|----------|-----------|-------------------------------|
| 829482 | 1 | PTO 1-3/8/6X25MM X 600MM 1202 |
| 829483 | 1 | PTO 1-3/8/6X30MM x 610MM 1302 |
| 829484 | 1 | PTO 1-3/8/6X1-3/8/6X575MM 361 |
| 829487 | 1 | PTO 1-3/8/6X1-3/8/6X870MM 361 |
| 28062103 | 1 | PTO YOKE 1-3/8X6 AMA |
| 28062203 | 1 | UNIV.JOINT CAT.1 AMA |
| 28062303 | 1 | PTO YOKE D25 AMA |
| 28062403 | 1 | DECAL - DANGER ROTATING SHAFT |
| 28062503 | 1 | DECAL - DANGER MISSING GUARD |
| 28062603 | 1 | SAFETY CHAIN F.PTO AMA |
| 28062703 | 1 | PTO OUTER 1-3/8X6 (NO SHIELD) |
| 28062803 | 1 | PTO INNER D25 (NO SHIELD) |
| 28062903 | 1 | PTO SHIELD COMPLETE |
| 28063003 | 1 | PTO YOKE D30 AMA |
| 28063103 | 1 | PTO INNER D30 (NO SHIELD) |
| 28063203 | 1 | PTO INNER 1-3/8X6 (NO SHIELD) |
| 28063303 | 1 | PTO SHIELD COMPLETE |
| 28063403 | 1 | PTO OUTER 1-3/8X6 (NO SHIELD) |
| 28063503 | 1 | PTO INNER 1-3/8X6 (NO SHIELD) |
| 28093403 | 1 | PTO OUTER TUBE BEARING AMA |
| 28093503 | 1 | PTO INNER TUBE BEARING AMA |



COMPLETE ASSEMBLY
841433

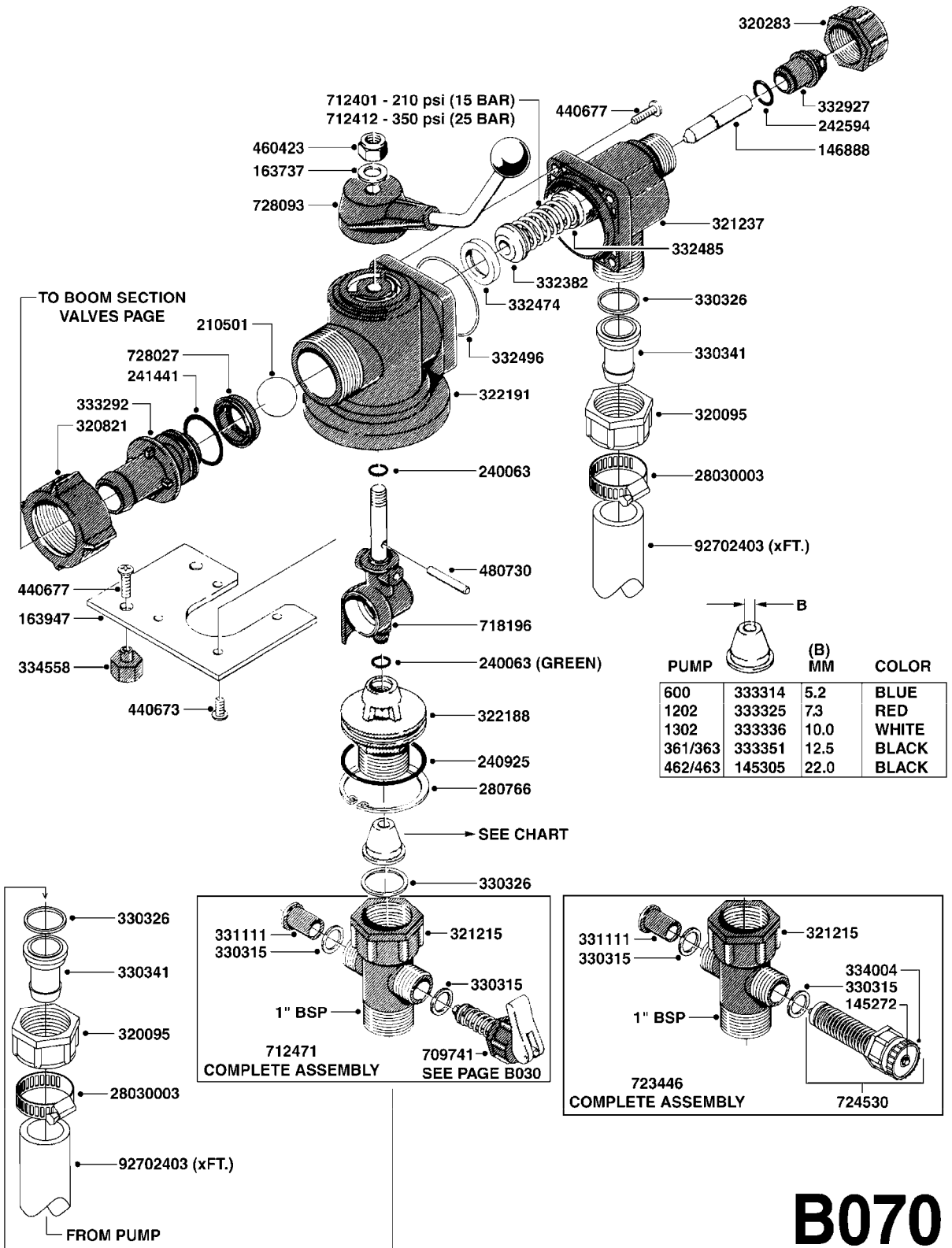
COMPLETE ASSEMBLIES
WHOLEGOODS ITEMS



B060



| parts-n° | order qty | description | |
|----------|-----------|--------------------------------|--|
| 145272 | 1 | INSERT F.AGIT.THUMBWHEEL BRASS | |
| 145305 | 1 | NOZZLE F.OP.UNIT PUMP 462 | |
| 163682 | 1 | WASHER D16X9,5 X 1 | |
| 163947 | 1 | FITTING FOR BK 180 | |
| 210501 | 1 | BALL PLASTIC D25 | |
| 240052 | 1 | BUSHING/PKNG D11,2/8,4 X 6 | |
| 240063 | 1 | O-RING D14.1/9.3 X 2.4 | |
| 240925 | 1 | O-RING D49.5X3 NITRIL | |
| 240936 | 1 | O-RING D13.3X2.4 NITRIL | |
| 241441 | 1 | O-RING D29.3X3 | |
| 280766 | 1 | SNAP-RING INNER 55X2 DIN 472 | |
| 320095 | 1 | FITT.DK NUT 1" BSP | |
| 320821 | 1 | FITT.DK NUT 1-1/2" BSP | |
| 321215 | 1 | FITT.DK HOUSING F. AGITATION | |
| 321237 | 1 | PRESSURE REGULATOR HOUSE BK180 | |
| 321624 | 1 | BOTTOM PIECE F.BALL OPER.UNIT | |
| 330315 | 1 | O-RING D18.4/D13X.6 | |
| 330326 | 1 | O-RING D30/D24X2 F.1"NUT | |
| 330341 | 1 | FITT.DK HB 1" F. 1" NUT | |
| 330632 | 1 | REGULATING HANDLE | |
| 331111 | 1 | VALVE SEAT FOR 1/2" DISTRIBUT. | |
| 332382 | 1 | VALVE CONE D25,7 | |
| 332474 | 1 | SEAT FOR OPERATING UNIT BALL | |
| 332485 | 1 | SPRING GUIDE | |
| 332496 | 1 | O-RING D58/54X2 | |
| 333292 | 1 | FITT.DK HB 1"O'RING F.1-1/2" | |
| 333314 | 1 | NOZZ.RESTRICTOR 600 BLUE | |
| 333325 | 1 | NOZZ.RESTRICTOR 1202 RED | |
| 333336 | 1 | NOZZ.RESTRICTOR 1302 WHITE | |
| 333351 | 1 | NOZZ.RESTRICTOR 361 BLACK | |
| 334004 | 1 | WHEEL F.AGITATION W/O INSERT | |
| 410362 | 1 | BOLT HEX 8.8 SS M6X20 FT | |
| 410686 | 1 | BOLT HEX 8.8 DEL M6X30 | |
| 460202 | 1 | NUT HEX M6 | |
| 460423 | 1 | NUT HEX M10X1.5 LOCK | |
| 471122 | 1 | WASHER D20/D10.5X2 SS | |
| 471125 | 1 | WASHER M6U D12/D6.4x1.6 SS A2 | |
| 480730 | 1 | PIN ROLL 5X30 STAINLESS STEEL | |
| 709741 | 1 | VALVE ASSY. 1/2" FLIP LEVER | |
| 712375 | 1 | PRESSURE REGULATOR COMPL. | |
| 712401 | 1 | RELIEF VALVE ASSY. 12BAR | |
| 712412 | 1 | RELIEF VALVE ASSY. 25BAR | |
| 712471 | 1 | AGITATION VALVE ASSY. ON/OFF | |
| 718196 | 1 | BALL VALVE HOUSING ASSEMBLY | |
| 723446 | 1 | AGITATION VALVE ASSY. ADJUST. | |
| 724530 | 1 | THUMB WHEEL FOR AGITATION | |
| 728027 | 1 | BUSHING WITH SEAT | |
| 728093 | 1 | HANDLE WITH BALL | |
| 841433 | 1 | BK 180 ARMATURE (1301) | |
| 28030003 | 1 | CLAMP HOSE GEAR P1" 6716 | |
| 92702403 | 1 | HOSE PVC SUCT GRAY 1" | |



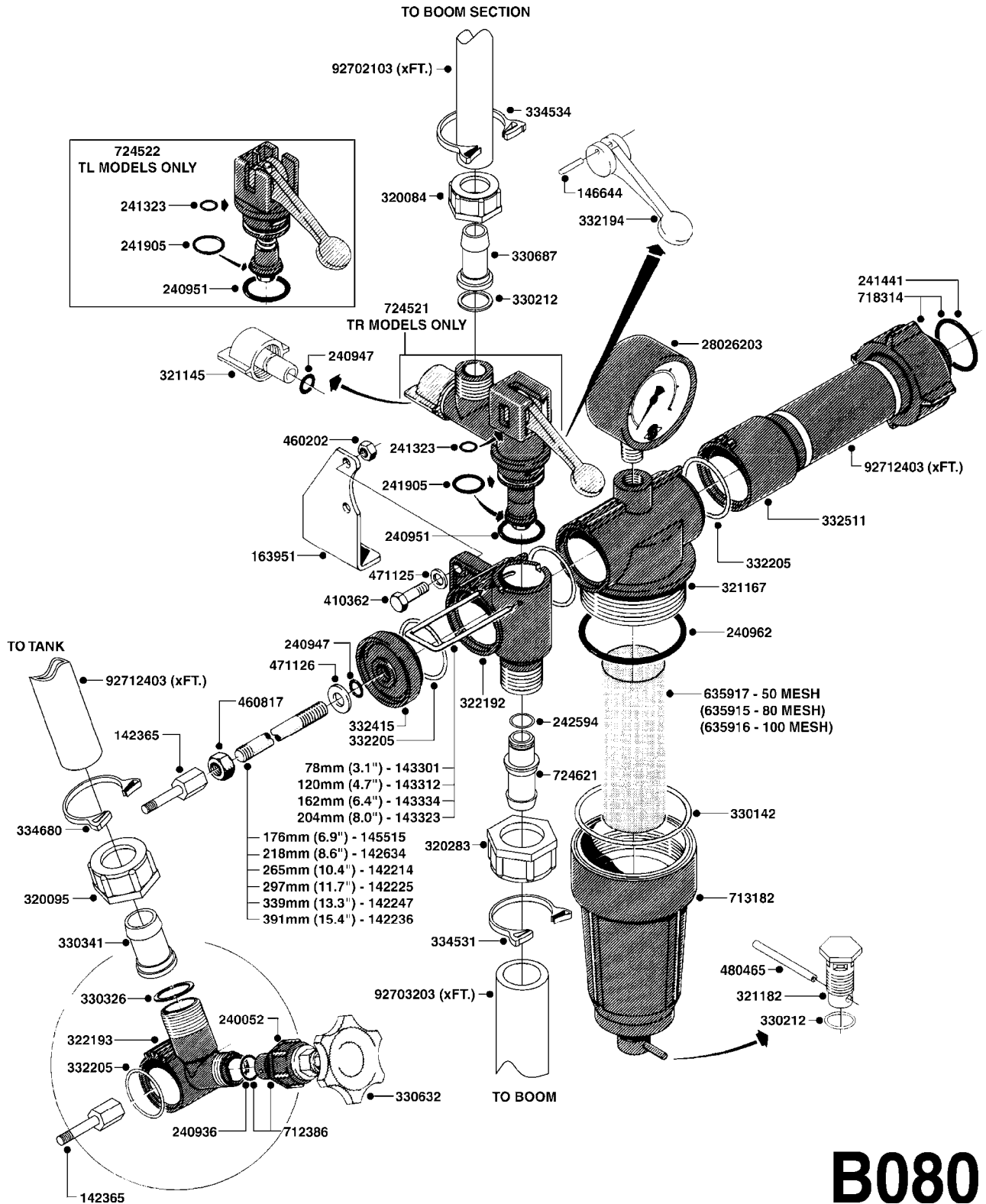
B070



BK-180 MASTER VALVE-MAN.POST94
B070-HIN, 06:09:11

Page 1
Date 06.04.2015 9:06

| parts-n° | order qty | description |
|----------|-----------|---------------------------------|
| 145272 | 1 | INSERT F.AGIT.THUMBWHEEL BRASS |
| 145305 | 1 | NOZZLE F.OP.UNIT PUMP 462 |
| 146888 | 1 | PIN 10 X 57MM STAINLESS |
| 163737 | 1 | WASHER D15.5/D10.5X1 |
| 163947 | 1 | FITTING FOR BK 180 |
| 210501 | 1 | BALL PLASTIC D25 |
| 240063 | 1 | O-RING D14.1/9.3 X 2.4 |
| 240925 | 1 | O-RING D49.5X3 NITRIL |
| 241441 | 1 | O-RING D29.3X3 |
| 242594 | 1 | O-RING D14 X 1.78 SCH.70-EPDM |
| 280766 | 1 | SNAP-RING INNER 55X2 DIN 472 |
| 320095 | 1 | FITT.DK NUT 1" BSP |
| 320283 | 1 | FITT.DK NUT 3/4"BSP |
| 320821 | 1 | FITT.DK NUT 1-1/2" BSP |
| 321215 | 1 | FITT.DK HOUSING F. AGITATION |
| 321237 | 1 | PRESSURE REGULATOR HOUSE BK180 |
| 322188 | 1 | BOTTOM PIECE F.BALL EC |
| 322191 | 1 | HOUSING F.BALL (OPERATING UNIT) |
| 330315 | 1 | O-RING D18.4/D13X.6 |
| 330326 | 1 | O-RING D30/D24X2 F.1"NUT |
| 330341 | 1 | FITT.DK HB 1" F. 1" NUT |
| 331111 | 1 | VALVE SEAT FOR 1/2" DISTRIBUT. |
| 332382 | 1 | VALVE CONE D25,7 |
| 332474 | 1 | SEAT FOR OPERATING UNIT BALL |
| 332485 | 1 | SPRING GUIDE |
| 332496 | 1 | O-RING D58/54X2 |
| 332927 | 1 | PLUG F. NOZZLE TUBE 3/4' |
| 333292 | 1 | FITT.DK HB 1"O'RING F.1-1/2" |
| 333314 | 1 | NOZZ.RESTRICTOR 600 BLUE |
| 333325 | 1 | NOZZ.RESTRICTOR 1202 RED |
| 333336 | 1 | NOZZ.RESTRICTOR 1302 WHITE |
| 333351 | 1 | NOZZ.RESTRICTOR 361 BLACK |
| 334004 | 1 | WHEEL F.AGITATION W/O INSERT |
| 334558 | 1 | NUT HEX PLASTIC INSERT |
| 440673 | 1 | SCREW F.PLASTIC 5X12 SS |
| 440677 | 1 | SCREW F. PLASTIC 5X20 SS |
| 460423 | 1 | NUT HEX M10X1.5 LOCK |
| 480730 | 1 | PIN ROLL 5X30 STAINLESS STEEL |
| 709741 | 1 | VALVE ASSY. 1/2" FLIP LEVER |
| 712401 | 1 | RELIEF VALVE ASSY. 12BAR |
| 712412 | 1 | RELIEF VALVE ASSY. 25BAR |
| 712471 | 1 | AGITATION VALVE ASSY. ON/OFF |
| 718196 | 1 | BALL VALVE HOUSING ASSEMBLY |
| 723446 | 1 | AGITATION VALVE ASSY. ADJUST. |
| 724530 | 1 | THUMB WHEEL FOR AGITATION |
| 728027 | 1 | BUSHING WITH SEAT |
| 728093 | 1 | HANDLE WITH BALL |
| 28030003 | 1 | CLAMP HOSE GEAR P1" 6716 |
| 92702403 | 1 | HOSE PVC SUCT GRAY 1" |



B080



BK-180 BOOM VALVES-MAN.PRE 00
B080-HIN, 19:05:11

Page 1
Date 06.04.2015 9:06

| parts-n° | order qty | description |
|----------|-----------|--------------------------------|
| 142214 | 1 | STUD BOLT - M8X265, 3 SECTION |
| 142225 | 1 | STUD BOLT 8 X 299 - 6 MODULS |
| 142236 | 1 | STUD BOLT 8 X 381 - 8 MODULS |
| 142247 | 1 | STUD BOLT 8 X 341 - 7 MODULS |
| 142365 | 1 | EXTENSION BOLT F/HARDI MATIC |
| 142634 | 1 | STUD BOLT M8 X 213 - 4 MODULS |
| 143301 | 1 | LOCK CLAMP 78 MM |
| 143312 | 1 | LOCK CLAMP 120 MM |
| 143323 | 1 | LOCK CLAMP 204 MM |
| 143334 | 1 | LOCK CLAMP 162 MM |
| 145515 | 1 | STUD BOLT M8 X 176MM |
| 146644 | 1 | PIN D3X19 STAINLESS |
| 163951 | 1 | MOUNT BRACKET FOR BK180 SECTIO |
| 240052 | 1 | BUSHING/PKNG D11,2/8,4 X 6 |
| 240936 | 1 | O-RING D13.3X2.4 NITRIL |
| 240947 | 1 | O-RING D7.3X2.4 NITRIL |
| 240951 | 1 | O-RING D21.2X3 NITRIL |
| 240962 | 1 | O-RING D57,2X3 NITRIL |
| 241323 | 1 | O-RING D5.3X2.4 NITRIL |
| 241441 | 1 | O-RING D29.3X3 |
| 241905 | 1 | O-RING 12,3X2,4 VITON DKR.1,05 |
| 242594 | 1 | O-RING D14 X 1.78 SCH.70-EPDM |
| 320084 | 1 | FITT.DK NUT 1/2" BSP |
| 320095 | 1 | FITT.DK NUT 1" BSP |
| 320283 | 1 | FITT.DK NUT 3/4"BSP |
| 321145 | 1 | CAP 1/2" RG FOR CONST.PRESSURE |
| 321167 | 1 | FILTER HOUSE S 63 X 4 |
| 321182 | 1 | DRAIN PLUG F. FILTER 3/8 BSP |
| 322192 | 1 | HOUSING F.DISTRIBUTOR |
| 322193 | 1 | HOUSING F.HARDIMATIC BK93 |
| 330142 | 1 | O-RING D69X2 |
| 330212 | 1 | O-RING D19/D14X2.4 F.1/2"NUT |
| 330326 | 1 | O-RING D30/D24X2 F.1"NUT |
| 330341 | 1 | FITT.DK HB 1" F. 1" NUT |
| 330632 | 1 | REGULATING HANDLE |
| 330687 | 1 | FITT.DK HB 1/2" F. 1/2" NUT |
| 332194 | 1 | DISTRIBUTION HANDLE |
| 332205 | 1 | O-RING D43/39XD2 |
| 332415 | 1 | COVER |
| 332511 | 1 | FITT.DK END CAP 1"HB F.BK180 |
| 334531 | 1 | CLAMP HOSE PLASTIC 3/4" |
| 334534 | 1 | CLAMP HOSE PLASTIC 1/2" |
| 334680 | 1 | CLAMP HOSE PLASTIC 1" |
| 410362 | 1 | BOLT HEX 8.8 SS M6X20 FT |
| 460202 | 1 | NUT HEX M6 |
| 460817 | 1 | NUT HEX M8 STAINLESS DIN 934 |
| 471125 | 1 | WASHER M6U D12/D6.4x1.6 SS A2 |
| 471126 | 1 | WASHER D16/D8.4X1.6 SS |
| 480465 | 1 | PIN M4X50 SLOTTED |
| 635915 | 1 | SCREEN BK180, 80 MESH |
| 635916 | 1 | SCREEN BK180, 100 MESH |
| 635917 | 1 | SCREEN BK180, 50 MESH |
| 712386 | 1 | PRESSURE REGULATOR COMPL. H-M |
| 713182 | 1 | FILTER CAP WITH DRAIN SCREW |
| 718314 | 1 | CONN. DISTRIB.AND OP.UNIT |
| 724521 | 1 | DISTR.UPPER PART W.EQ.PRESSURE |
| 724522 | 1 | DISTR.OVER PART W.OUV PR 83 BK |
| 724621 | 1 | FITT.DK HB 3/4"ASSY F.3/4" NUT |
| 28026203 | 1 | GAUGE 200PSI/BR,2.5"1/4BSP-BTM |
| 92702103 | 1 | HOSE R X1/2" X300PSI WP X0012" |
| 92703203 | 1 | HOSE R X3/4" X300PSI WP X0012" |

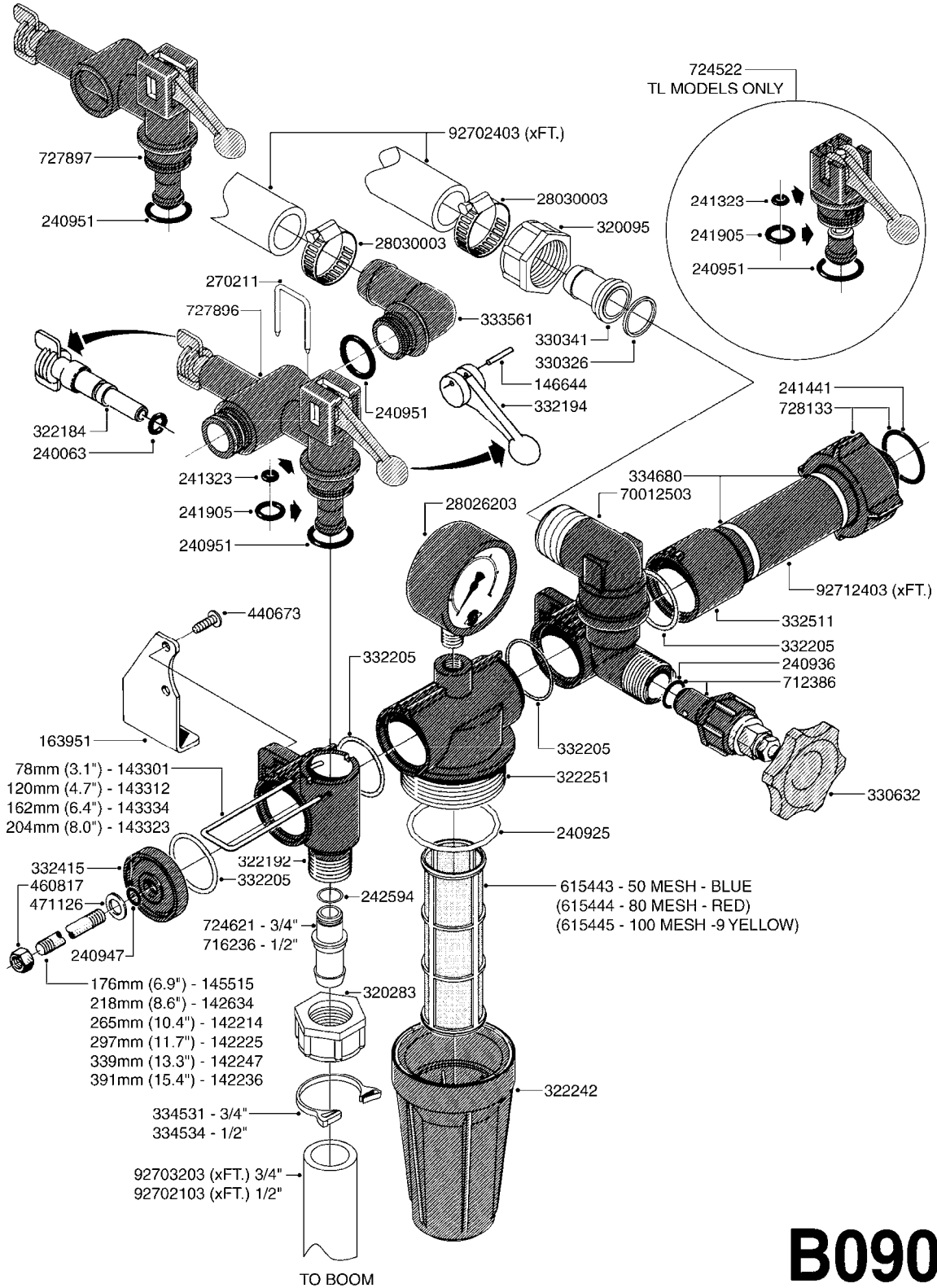


BK-180 BOOM VALVES-MAN.PRE 00
B080-HIN, 19:05:11

Page 2

Date 06.04.2015 9:06

| parts-n° | order qty | description |
|----------|-----------|------------------------------|
| 92712403 | 1 | HOSE R X1" X300PSI WP X0012" |



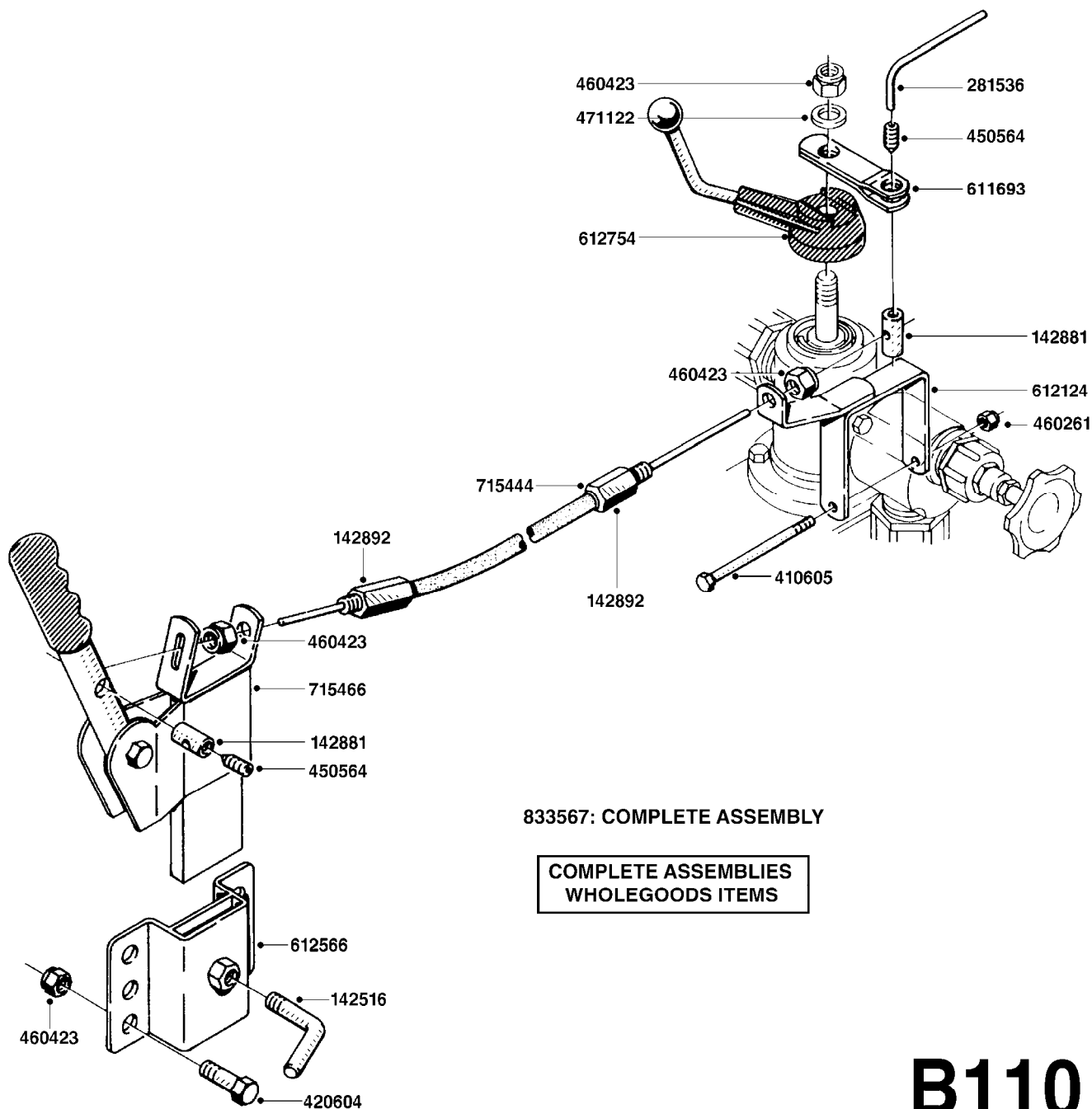
B090



BK-180 BOOM VALVES-MAN.POST 00
B090-HIN, 19:05:11

Page 1
Date 06.04.2015 9:06

| parts-n° | order qty | description |
|----------|-----------|--------------------------------|
| 142214 | 1 | STUD BOLT - M8X265, 3 SECTION |
| 142225 | 1 | STUD BOLT 8 X 299 - 6 MODULS |
| 142236 | 1 | STUD BOLT 8 X 381 - 8 MODULS |
| 142247 | 1 | STUD BOLT 8 X 341 - 7 MODULS |
| 142634 | 1 | STUD BOLT M8 X 213 - 4 MODULS |
| 143301 | 1 | LOCK CLAMP 78 MM |
| 143312 | 1 | LOCK CLAMP 120 MM |
| 143323 | 1 | LOCK CLAMP 204 MM |
| 143334 | 1 | LOCK CLAMP 162 MM |
| 145515 | 1 | STUD BOLT M8 X 176MM |
| 146644 | 1 | PIN D3X19 STAINLESS |
| 163951 | 1 | MOUNT BRACKET FOR BK180 SECTIO |
| 240063 | 1 | O-RING D14.1/9.3 X 2.4 |
| 240925 | 1 | O-RING D49.5X3 NITRIL |
| 240936 | 1 | O-RING D13.3X2.4 NITRIL |
| 240947 | 1 | O-RING D7.3X2.4 NITRIL |
| 240951 | 1 | O-RING D21.2X3 NITRIL |
| 241323 | 1 | O-RING D5.3X2.4 NITRIL |
| 241441 | 1 | O-RING D29.3X3 |
| 241905 | 1 | O-RING 12,3X2,4 VITON DKR.1,05 |
| 242594 | 1 | O-RING D14 X 1.78 SCH.70-EPDM |
| 270211 | 1 | FITT.DK S25 FORK L=37.5 |
| 320095 | 1 | FITT.DK NUT 1" BSP |
| 320283 | 1 | FITT.DK NUT 3/4"BSP |
| 322184 | 1 | SCREW F.ADJUSTING CONST.PRESS. |
| 322192 | 1 | HOUSING F.DISTRIBUTOR |
| 322242 | 1 | FILTER BOWL / IN-LINE |
| 322251 | 1 | HOUSING F.FILTER MOUNT BK/EC |
| 330326 | 1 | O-RING D30/D24X2 F.1"NUT |
| 330341 | 1 | FITT.DK HB 1" F. 1" NUT |
| 330632 | 1 | REGULATING HANDLE |
| 332194 | 1 | DISTRIBUTION HANDLE |
| 332205 | 1 | O-RING D43/39XD2 |
| 332415 | 1 | COVER |
| 332511 | 1 | FITT.DK END CAP 1"HB F.BK180 |
| 333561 | 1 | FITT.DK ELB.1" EC RETURN |
| 334531 | 1 | CLAMP HOSE PLASTIC 3/4" |
| 334534 | 1 | CLAMP HOSE PLASTIC 1/2" |
| 334680 | 1 | CLAMP HOSE PLASTIC 1" |
| 440673 | 1 | SCREW F.PLASTIC 5X12 SS |
| 460817 | 1 | NUT HEX M8 STAINLESS DIN 934 |
| 471126 | 1 | WASHER D16/D8.4X1.6 SS |
| 615443 | 1 | FILTER ELEM.50 MESH BLUE |
| 615444 | 1 | FILTER ELEM.80 MESH RED |
| 615445 | 1 | FILTER ELEM.100 MESH YELLOW |
| 712386 | 1 | PRESSURE REGULATOR COMPL. H-M |
| 716236 | 1 | FITT.DK HB 1/2" ASSY. F. 3/4" |
| 724522 | 1 | DISTR.OVER PART W.OUV PR 83 BK |
| 724621 | 1 | FITT.DK HB 3/4"ASSY F.3/4" NUT |
| 727896 | 1 | HOUSING UPPER F.CONST.PRESS. |
| 727897 | 1 | HOUSING UPPER PART END PC.BK92 |
| 728133 | 1 | CONNECTING PART F.BK OPR.UNIT |
| 28026203 | 1 | GAUGE 200PSI/BR,2.5"1/4BSP-BTM |
| 28030003 | 1 | CLAMP HOSE GEAR P1" 6716 |
| 70012503 | 1 | HOUSING FOR HARDI-MATIC VALVE |
| 92702103 | 1 | HOSE R X1/2" X300PSI WP X0012" |
| 92702403 | 1 | HOSE PVC SUCT GRAY 1" |
| 92703203 | 1 | HOSE R X3/4" X300PSI WP X0012" |
| 92712403 | 1 | HOSE R X1" X300PSI WP X0012" |



B110

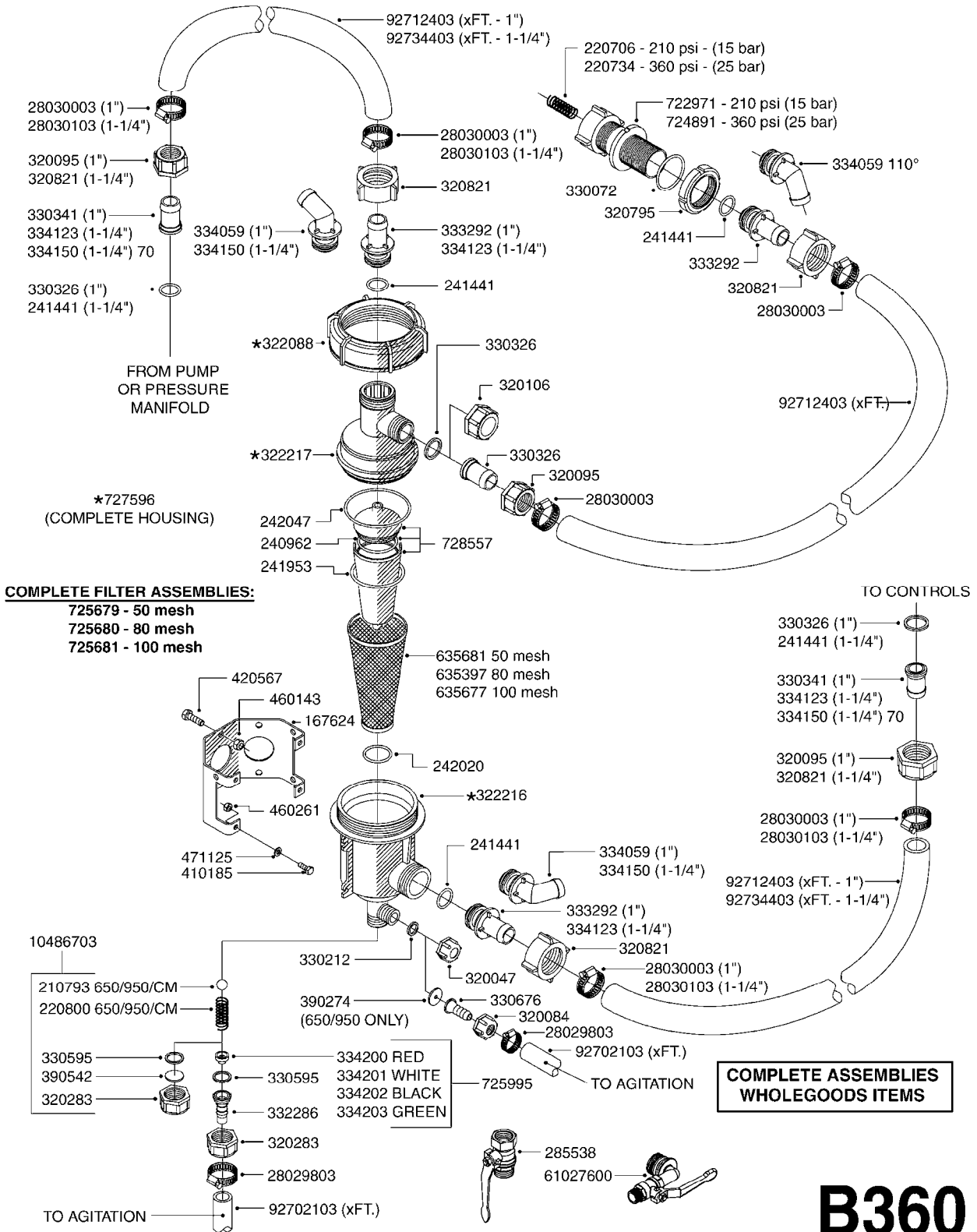


BK-180 REMOTE CONTROL CABLE
B110-HIN, 01:01:01

Page 1

Date 06.04.2015 9:06

| parts-n° | order qty | description |
|----------|-----------|-----------------------------------|
| 142516 | 1 | SCREW SET M10 BENT F. LOCKING |
| 142881 | 1 | WIRE HOLDER FOR REMOTE CONTROL |
| 142892 | 1 | END NIPPLE F.REMOTE CABLE |
| 281536 | 1 | ALLEN WRENCH 3MM |
| 410605 | 1 | BOLT HEX 8.8 DEL M6X80 |
| 420604 | 1 | BOLT HEX 8.8 DEL M10X25 FT DIN933 |
| 450564 | 1 | SCREW M6X12 ALLEN |
| 460261 | 1 | NUT HEX M6X1 LOCK A2 DIN985 |
| 460423 | 1 | NUT HEX M10X1.5 LOCK |
| 471122 | 1 | WASHER D20/D10.5X2 SS |
| 611693 | 1 | ARM FOR REMOTE CONTROL BK180 |
| 612124 | 1 | BRACKET FOR OP.UNIT F REM.CTR |
| 612566 | 1 | MOUNT BRACKET F.FAN CABLE ASSY |
| 612754 | 1 | HANDLE FOR REMOTE CONTROL |
| 715444 | 1 | REMOTE CONTROL CABLE COMPLETE |
| 715466 | 1 | MOUNTING PLATE |
| 833567 | 1 | REMOTE CONTROL ON/OFF BK 180 |



B360



| parts-n° | order qty | description |
|----------|-----------|---------------------------------|
| 10486703 | 1 | KIT F.UPDATING SCF |
| 167624 | 1 | MOUNT BRACKET F. SCF |
| 210793 | 1 | BALL F.SCF |
| 220706 | 1 | SPRING SCF 12 BAR |
| 220734 | 1 | SPRING SCF 25 BAR |
| 220800 | 1 | SPRING F.SCF |
| 240962 | 1 | O-RING D57,2X3 NITRIL |
| 241441 | 1 | O-RING D29.3X3 |
| 241953 | 1 | O-RING D73,03X3,53 VITON |
| 242020 | 1 | O-RING 39.2 X 3 VITON |
| 242047 | 1 | O-RING 89.5 X 3.0 VITON |
| 28029803 | 1 | CLAMP HOSE GEAR P1/2" 6708 |
| 28030003 | 1 | CLAMP HOSE GEAR P1" 6716 |
| 28030103 | 1 | CLAMP HOSE GEAR P5/4-S1.5"6724 |
| 285538 | 1 | BALL VALVE 3/4" BSP |
| 320047 | 1 | FITT.DK CAPNUT 1/2" BSP |
| 320084 | 1 | FITT.DK NUT 1/2" BSP |
| 320095 | 1 | FITT.DK NUT 1" BSP |
| 320106 | 1 | FITT.DK CAPNUT 1" BSP |
| 320283 | 1 | FITT.DK NUT 3/4"BSP |
| 320795 | 1 | FITT.DK NUT 1-1/2" BSP JAMB |
| 320821 | 1 | FITT.DK NUT 1-1/2" BSP |
| 322088 | 1 | NUT LARGE F.SCF BODY |
| 322216 | 1 | SCF HOUSING (THREADED) F.GROVE |
| 322217 | 1 | SCF TOP (THREADED) W/GROVE |
| 330072 | 1 | O-RING D53.5/D45.5X4 |
| 330212 | 1 | O-RING D19/D14X2.4 F.1/2"NUT |
| 330326 | 1 | O-RING D30/D24X2 F.1"NUT |
| 330341 | 1 | FITT.DK HB 1" F. 1" NUT |
| 330595 | 1 | O-RING D24.6/D20X2.1 -3/4" |
| 330676 | 1 | FITT.DK HB 3/8" F. 1/2" NUT |
| 332286 | 1 | FITT.DK HB 1/2" F. 3/4" NUT |
| 333292 | 1 | FITT.DK HB 1"O'RING F.1-1/2" |
| 334059 | 1 | FITT.DK EL 1" 110 DEG.F.1-1/2" |
| 334123 | 1 | FITT.DK HB 1-1/4"O-RNG F.1-1/2" |
| 334150 | 1 | FITT.DK HB 1-1/4" 110 F.1-1/2" |
| 334200 | 1 | ORFICE 3MM FOR SCF RED |
| 334201 | 1 | ORFICE 4MM FOR SCF WHITE |
| 334202 | 1 | ORFICE 5MM FOR SCF BLACK |
| 334203 | 1 | ORFICE 6MM FOR SCF GREEN |
| 390274 | 1 | ORIFICE ID4.0/18/1.5 |
| 390542 | 1 | PLUG WASHER FOR 3/4'CAP NUT |
| 410185 | 1 | BOLT HEX 8.8 DEL M6X16 A2 |
| 420567 | 1 | BOLT HEX 8.8 DEL M8X30 FT |
| 460143 | 1 | NUT HEX M8 LOCK A2 DIN985 |
| 460261 | 1 | NUT HEX M6X1 LOCK A2 DIN985 |
| 471125 | 1 | WASHER M6U D12/D6.4x1.6 SS A2 |
| 61027600 | 1 | VALVE 1/2"BSP ASSY S5390 |
| 635397 | 1 | SCREEN SCF 80 MESH |
| 635677 | 1 | SCREEN SCF 100 MESH |
| 635681 | 1 | SCREEN SCF 50 MESH |
| 722971 | 1 | SAFETY VALVE SCF 217PSI (15BAR) |
| 724891 | 1 | SAFETY VALVE SCF 25 BAR |
| 725679 | 1 | SCF ASSY.50 W/THREADED TOP CAP |
| 725680 | 1 | SCF ASSY.80 W/THREADED TOP CAP |
| 725681 | 1 | SCF ASSY.100 W/THREADED CAP |
| 725995 | 1 | BAG FOR SCF |
| 727596 | 1 | SCF HOUSING COMPLETE |
| 728557 | 1 | CONE F.SCF RED |
| 92702103 | 1 | HOSE R X1/2" X300PSI WP X0012" |
| 92712403 | 1 | HOSE R X1" X300PSI WP X0012" |

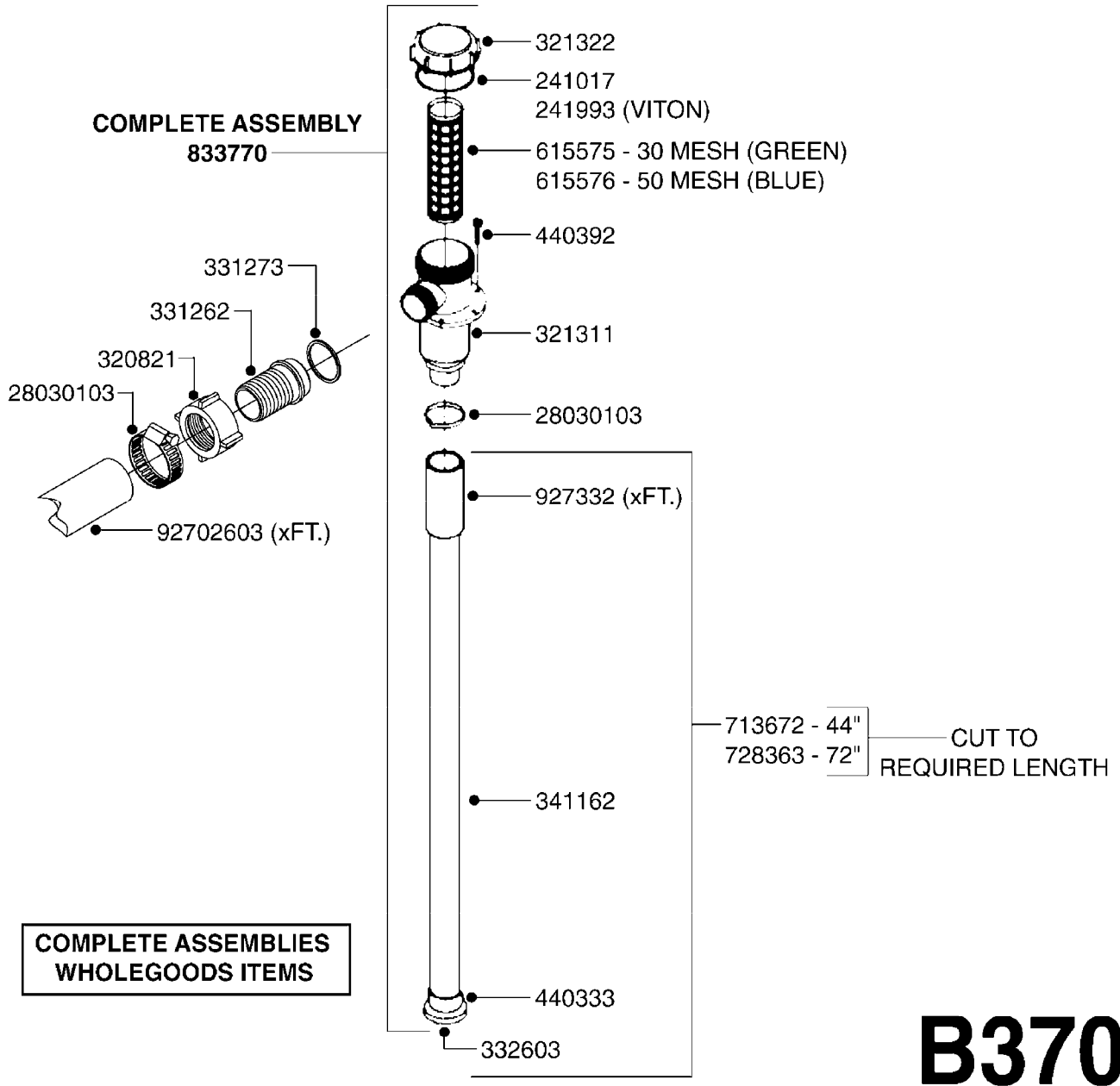


SELF CLEANING FILTER-SCREW TOP
B360-HIN, 27:05:09

Page 2

Date 06.04.2015 9:06

| parts-n° | order qty | description |
|----------|-----------|--------------------------------|
| 92734403 | 1 | HOSE R X5/4" X200PSI WP X0012" |



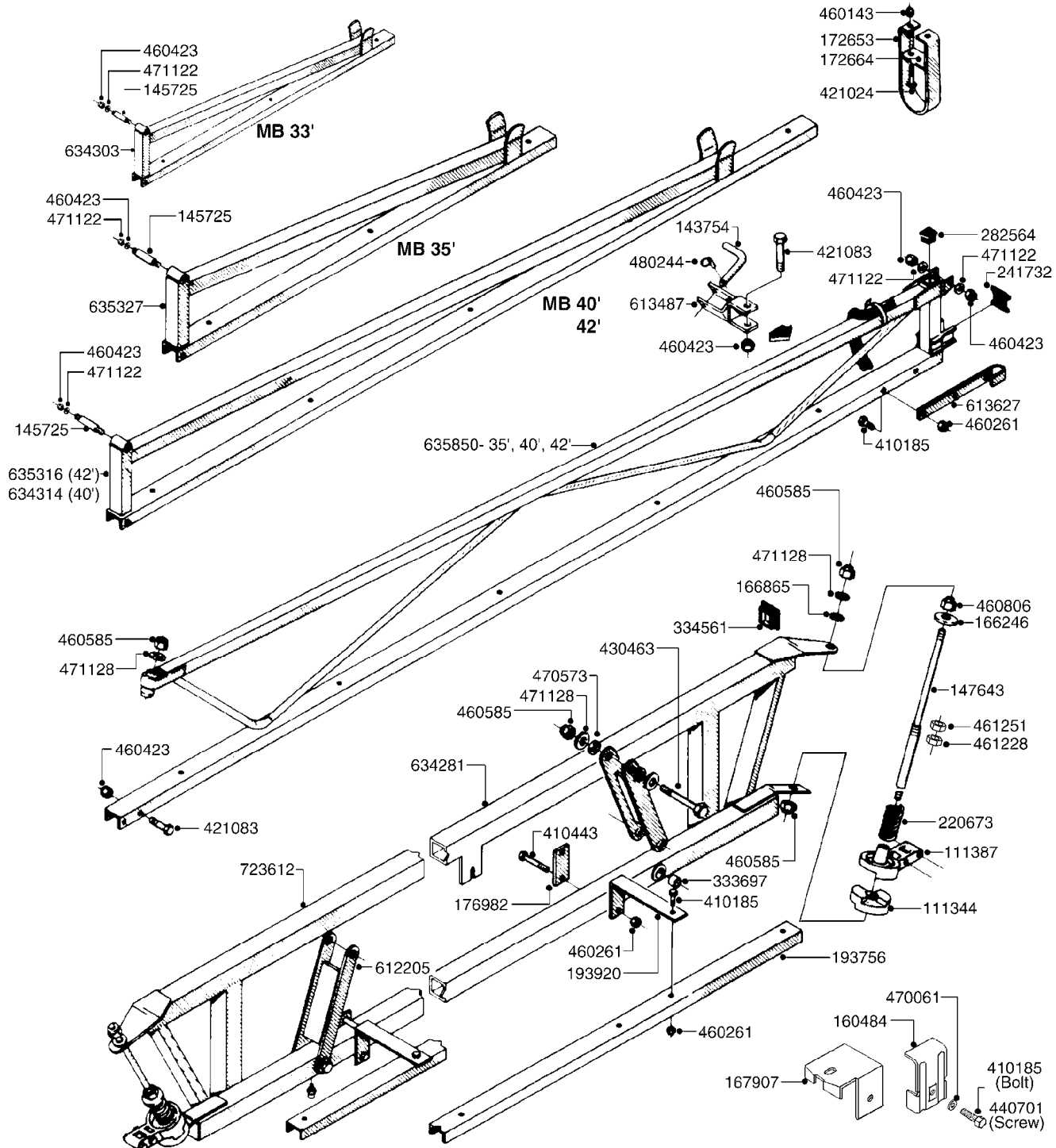


TOP SUCTION ASSEMBLY-SCREW CAP
B370-HIN, 08:12:09

Page 1

Date 06.04.2015 9:06

| parts-n° | order qty | description |
|----------|-----------|--------------------------------|
| 241017 | 1 | O-RING D74,5X3 NITRIL |
| 241993 | 1 | O-RING 74.5 X 3MM VIT/241017 |
| 320821 | 1 | FITT.DK NUT 1-1/2" BSP |
| 321311 | 1 | FILTER BODY S 80 X 4 |
| 321322 | 1 | SCREW CAP F. S80 X 4 |
| 331262 | 1 | FITT.DK HB 1-1/2" F. 1-1/2"NUT |
| 331273 | 1 | O-RING D44/D38X2 F.1-1/2" |
| 332603 | 1 | CAP F. SUCTION TUBE |
| 341162 | 1 | SUCTION TUBE F.650 |
| 440333 | 1 | SCREW 3.5 X 9.5 SS |
| 440392 | 1 | SCREW 6.3 X 25.0 DIN7981C TORX |
| 615575 | 1 | FILTER F.TOP SUCT.30 MESH GRN. |
| 615576 | 1 | FILTER F.TOP SUCT.50 MESH BLUE |
| 713672 | 1 | SUCTION TUBE L=44" |
| 728363 | 1 | SUCTION TUBE ASSY.L=72" |
| 833770 | 1 | TOP SUCTION KIT 300/500 |
| 927332 | 1 | HOSE R X 28BAR X 40MM X 0012" |
| 28030103 | 1 | CLAMP HOSE GEAR P5/4-S1.5"6724 |
| 92702603 | 1 | HOSE PVC SUCT GRAY 1-1/2" |



D080



BOOM - MB 35' 40' 42'
D080-HIN, 12:12:05

Page 1

Date 06.04.2015 9:06

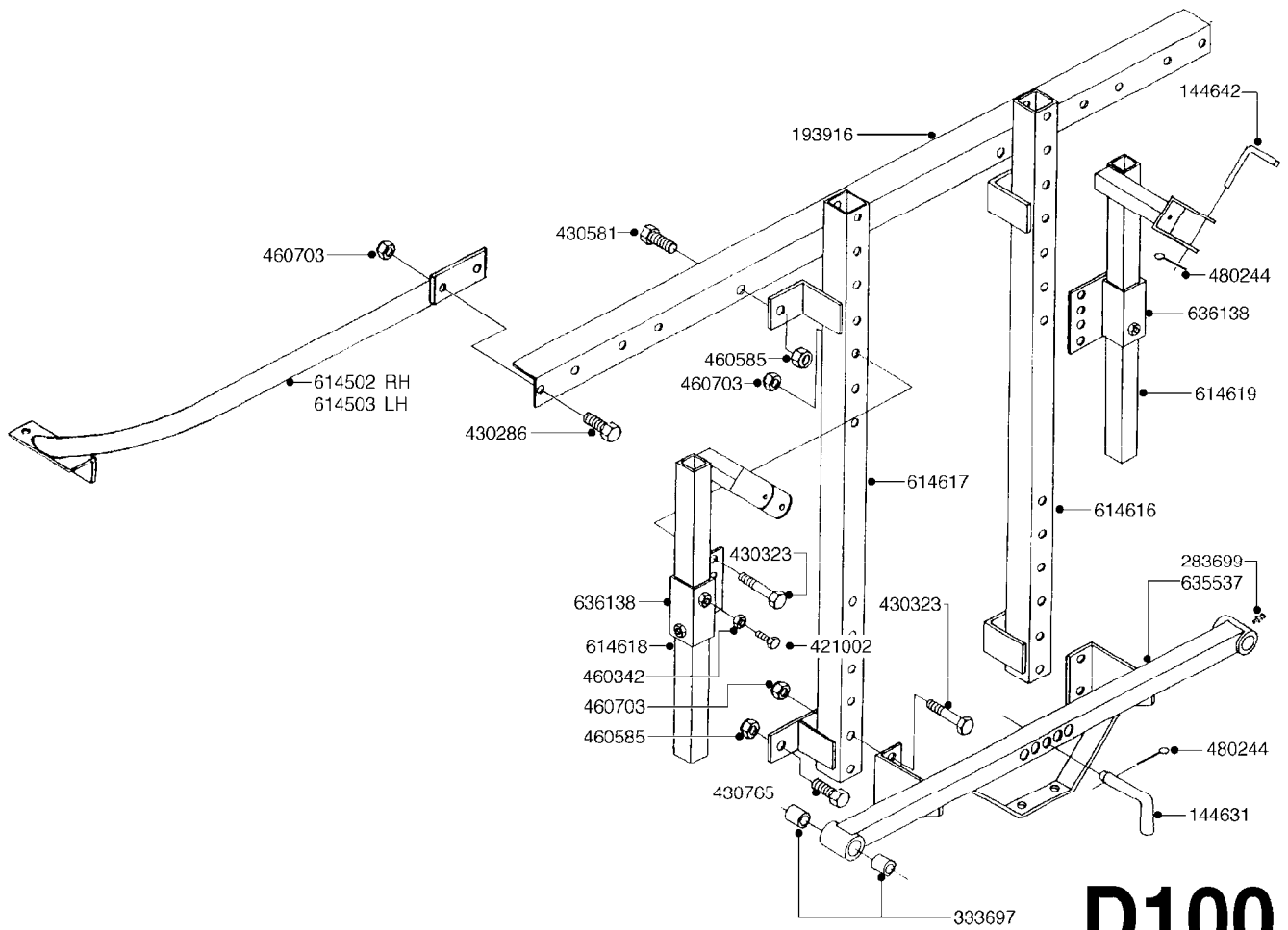
| parts-n° | order qty | description |
|----------|-----------|---------------------------------|
| 111344 | 1 | CLAW CLUTCH LOWER (21MM) |
| 111387 | 1 | CLAW CLUTCH D100 UPPER PART |
| 143754 | 1 | PIN D10 X 56 |
| 145725 | 1 | PIN FOR 12 MB BOOM |
| 147643 | 1 | AXLE F.BM BRKWKY. W. ZERT L=426 |
| 160484 | 1 | WIRE GUIDE FOR DROP-LEG |
| 166246 | 1 | WASHER CUP D53 F.SPRING |
| 166865 | 1 | WASHER D35/D25X2 |
| 167907 | 1 | NOZZ. HOLD. KIT F/ADJ. BOOM |
| 172653 | 1 | WING TIP GUARD |
| 172664 | 1 | FLATBAR BACKING PLATE |
| 176982 | 1 | RETAINING PLATE |
| 193756 | 1 | TRACK MB 10,6/12,6M |
| 193920 | 1 | BRACKET F.NOZZLE TRACK |
| 220673 | 1 | SPRING F.PIVOT 100 X 51 |
| 241732 | 1 | RUBBER STOP FOR MB |
| 282564 | 1 | PLUG 35MM SQ.BLACK |
| 333697 | 1 | BUSHING D22/D16x25 |
| 334561 | 1 | PLUG 50x50x2 F.SQ.TUBE |
| 410185 | 1 | BOLT HEX 8.8 DEL M6X16 A2 |
| 410443 | 1 | BOLT HEX 8.8 DEL M6X70 |
| 421024 | 1 | BOLT HEX 8.8 DEL M8X60 |
| 421083 | 1 | BOLT HEX 8.8 DEL M10X65 |
| 430463 | 1 | BOLT HEX 8.8 DEL M16X110 |
| 440701 | 1 | SCREW NO.14 3/4" PLATED |
| 460143 | 1 | NUT HEX M8 LOCK A2 DIN985 |
| 460261 | 1 | NUT HEX M6X1 LOCK A2 DIN985 |
| 460423 | 1 | NUT HEX M10X1.5 LOCK |
| 460585 | 1 | NUT HEX M16X2 LOCK |
| 460806 | 1 | NUT HEX M20X2.5 LOCK |
| 461228 | 1 | NUT HEX M20 |
| 461251 | 1 | NUT HEX M20 X 2.5 JAMB |
| 470061 | 1 | WASHER D11/D7X0.5 LOCK |
| 470573 | 1 | WASHER D29/D17X2 SPRING BLACK |
| 471122 | 1 | WASHER D20/D10.5X2 SS |
| 471128 | 1 | WASHER D30/D17X3 |
| 480244 | 1 | PIN SNAP D4.5 |
| 612205 | 1 | TRAPEZE ARM,WELDED |
| 613487 | 1 | TRANSPORT FITTINGS FOR SB BOOM |
| 613627 | 1 | LOCK STRAP FOR MB BOOM |
| 634281 | 1 | BOOM CENTER MB 35/40/42 |
| 634303 | 1 | BOOM WING OUTER 33' MB L=47' |
| 634314 | 1 | BOOM WING OUTER 40', 45' MB |
| 635316 | 1 | BOOM WING OUTER MB42 |
| 635327 | 1 | BOOM WING OUTER 35'MB L=58.5" |
| 635850 | 1 | BOOM WING INNER MB35/40/42 |
| 723612 | 1 | CENTER PART MB BOOM |



BOOM - MB H-FRAME ML-TRAILER
D100-HIN, 01:01:01

Page 0

Date 06.04.2015 9:06



D100

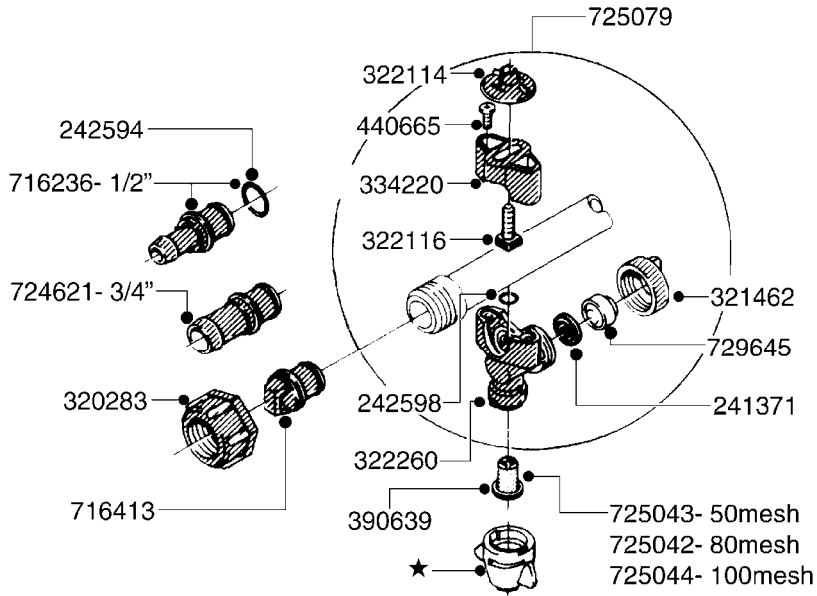


BOOM - MB H-FRAME ML-TRAILER
D100-HIN, 01:01:01

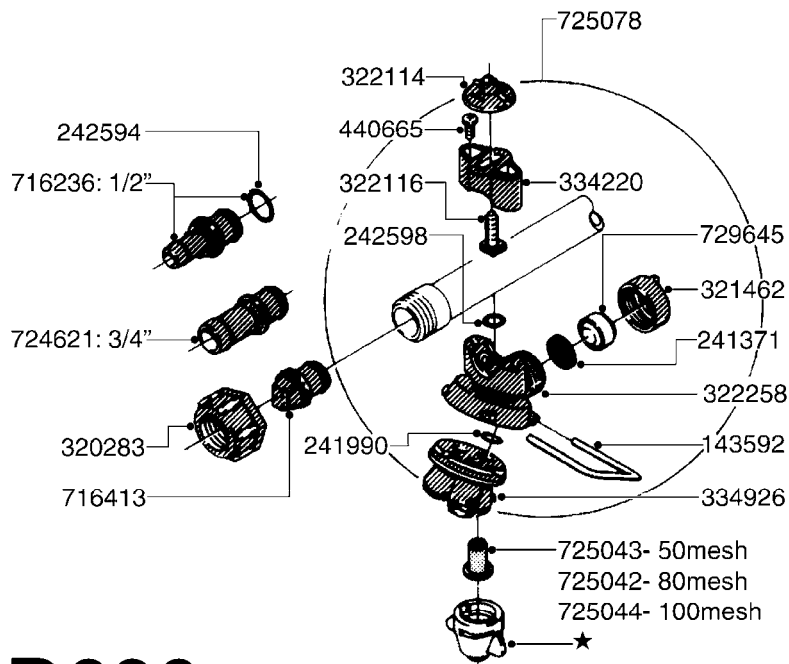
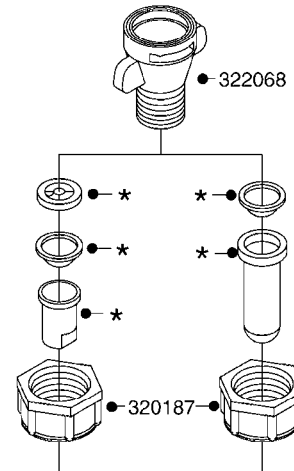
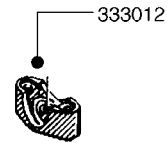
Page 1

Date 06.04.2015 9:06

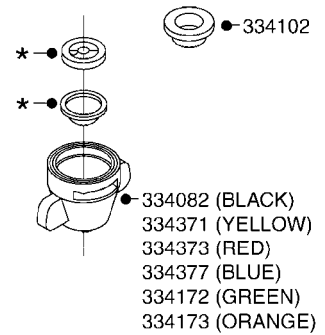
| parts-n° | order qty | description |
|----------|-----------|-----------------------------------|
| 144631 | 1 | LOCKING PAWL |
| 144642 | 1 | LOCKING PAWL D10X65MM |
| 193916 | 1 | ANGLE IRON FOR MB BOOM BKTS. |
| 283699 | 1 | GREASE NIPPLE M6X1 |
| 333697 | 1 | BUSHING D22/D16x25 |
| 421002 | 1 | BOLT HEX 8.8 DEL M10X30 FT DIN933 |
| 430286 | 1 | BOLT HEX 8.8 DEL M12X30 FT |
| 430323 | 1 | BOLT HEX 8.8 DEL M12X60 |
| 430581 | 1 | BOLT HEX 8.8 DEL M16X40 FT |
| 430765 | 1 | BOLT HEX 8.8 DEL M16X55 |
| 460342 | 1 | NUT HEX M10 DEL DIN934 |
| 460585 | 1 | NUT HEX M16X2 LOCK |
| 460703 | 1 | NUT HEX M12X1.75 LOCK DIN985 |
| 480244 | 1 | PIN SNAP D4.5 |
| 614502 | 1 | INCLINED BRACE RIGHT CAN |
| 614503 | 1 | INCLINED BRACE LEFT CAN |
| 614616 | 1 | H FRAME TUBE TL RIGHT |
| 614617 | 1 | H FRAME TUBE TL LEFT |
| 614618 | 1 | TRANS BRKT. F/MB BOOM (SHORT) |
| 614619 | 1 | TRANS BRKT. F/MB BOOM (LONG) |
| 635537 | 1 | TRAPEZE FRAME |
| 636138 | 1 | BRACKET |



SINGLE NOZZLE BODY



TRIPLET NOZZLE BODY



D620

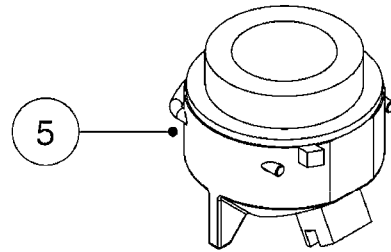
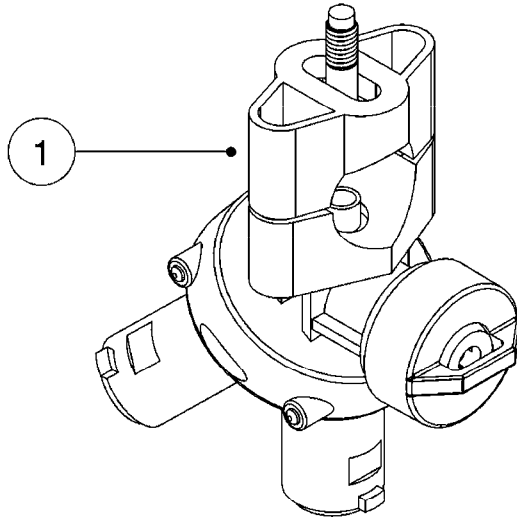
*=REFER TO HARDI NOZZLE CATALOG



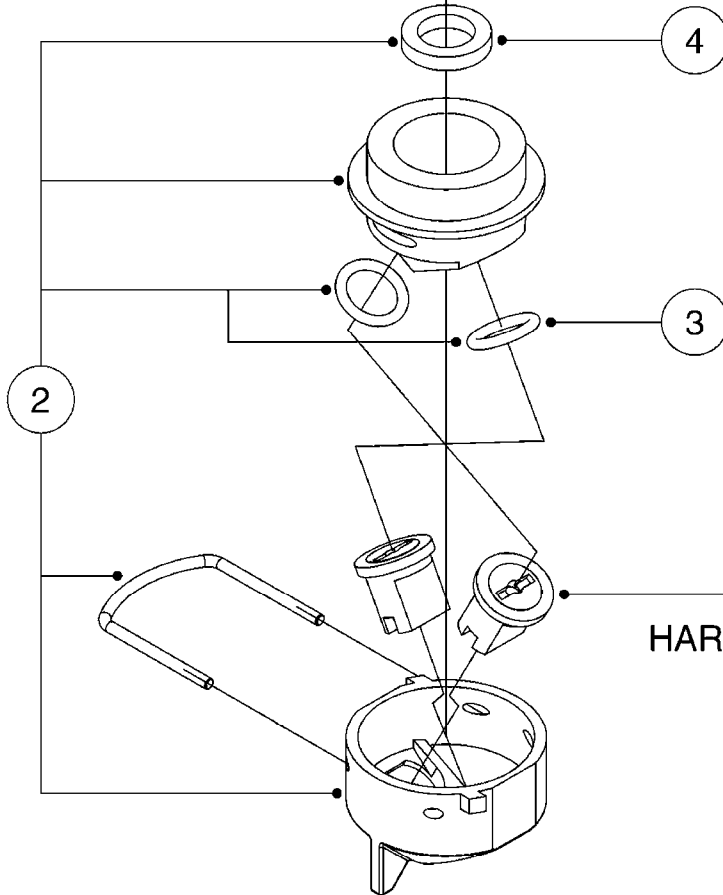
NOZZLE BODIES-SNAP FIT
D620-HIN, 18:03:10

Page 1
Date 06.04.2015 9:06

| parts-n° | order qty | description |
|----------|-----------|--------------------------------|
| 143592 | 1 | LOCK CLAMP FOR TRIPLET |
| 241371 | 1 | DIAPHRAGM, NO-DRIP alt 241371 |
| 241990 | 1 | O-RING D9.3 X 2.4 VITON |
| 242594 | 1 | O-RING D14 X 1.78 SCH.70-EPDM |
| 242598 | 1 | O-RING D7.0 X 2.5 NITRIL |
| 320187 | 1 | FITT.DK CAP 3/8" BSP BLACK |
| 320283 | 1 | FITT.DK NUT 3/4"BSP |
| 321462 | 1 | CAP F.NO-DRIP ASSY. |
| 322068 | 1 | SNAP-FIT ADAPTER THREAD. HARDI |
| 322114 | 1 | NUT PLASTIC F.NOZZ.H |
| 322116 | 1 | BOLT PLASTIC F.NOZZ.H. |
| 322258 | 1 | HOUSING F.TRIPLET |
| 322260 | 1 | NOZZLE HOLDER LOWER PART |
| 333012 | 1 | NOZZLE HOLD. UPPER PART |
| 334082 | 1 | SNAP-FIT NOZZ.HOLD.CONE BLACK |
| 334102 | 1 | BLANK F.NOZZLE |
| 334172 | 1 | SNAP-FIT NOZZ.HOLD.CONE GREEN |
| 334173 | 1 | SNAP-FIT NOZZ.HOLD.CONE ORANGE |
| 334220 | 1 | YOKE, UPPER NOZZLE BODY |
| 334371 | 1 | SNAP-FIT NOZZLE HOLDER YELLOW |
| 334373 | 1 | SNAP-FIT NOZZLE HOLDER RED |
| 334377 | 1 | SNAP-FIT NOZZLE HOLDER BLUE |
| 334926 | 1 | SNAP-FIT TURN PLATE F TRIPLET |
| 390639 | 1 | O-RING F.NOZZLE FILTER |
| 440665 | 1 | SCREW M4.2X16 STAINLESS |
| 716236 | 1 | FITT.DK HB 1/2" ASSY. F. 3/4" |
| 716413 | 1 | FITT.DK PLUG ASSY. F.NOZ TUBE |
| 724621 | 1 | FITT.DK HB 3/4"ASSY F.3/4" NUT |
| 725042 | 1 | SCREEN 80 MESH W.GASKET, RED |
| 725043 | 1 | SCREEN 50 MESH W.GASKET,BLUE |
| 725044 | 1 | SCREEN 100 MESH W.GASKET,YELLO |
| 725078 | 1 | SNAP-FIT TRIPLET W/O NOZZ HOLD |
| 725079 | 1 | NOZZLE ASSY.SING.SNAP-FIT GREN |
| 729645 | 1 | NON-DRIP SPRING ASSY.GREEN 10 |



COMPLETE ASSEMBLY
WITH NOZZLES



REFER TO
HARDI® NOZZLE CATALOG

D625

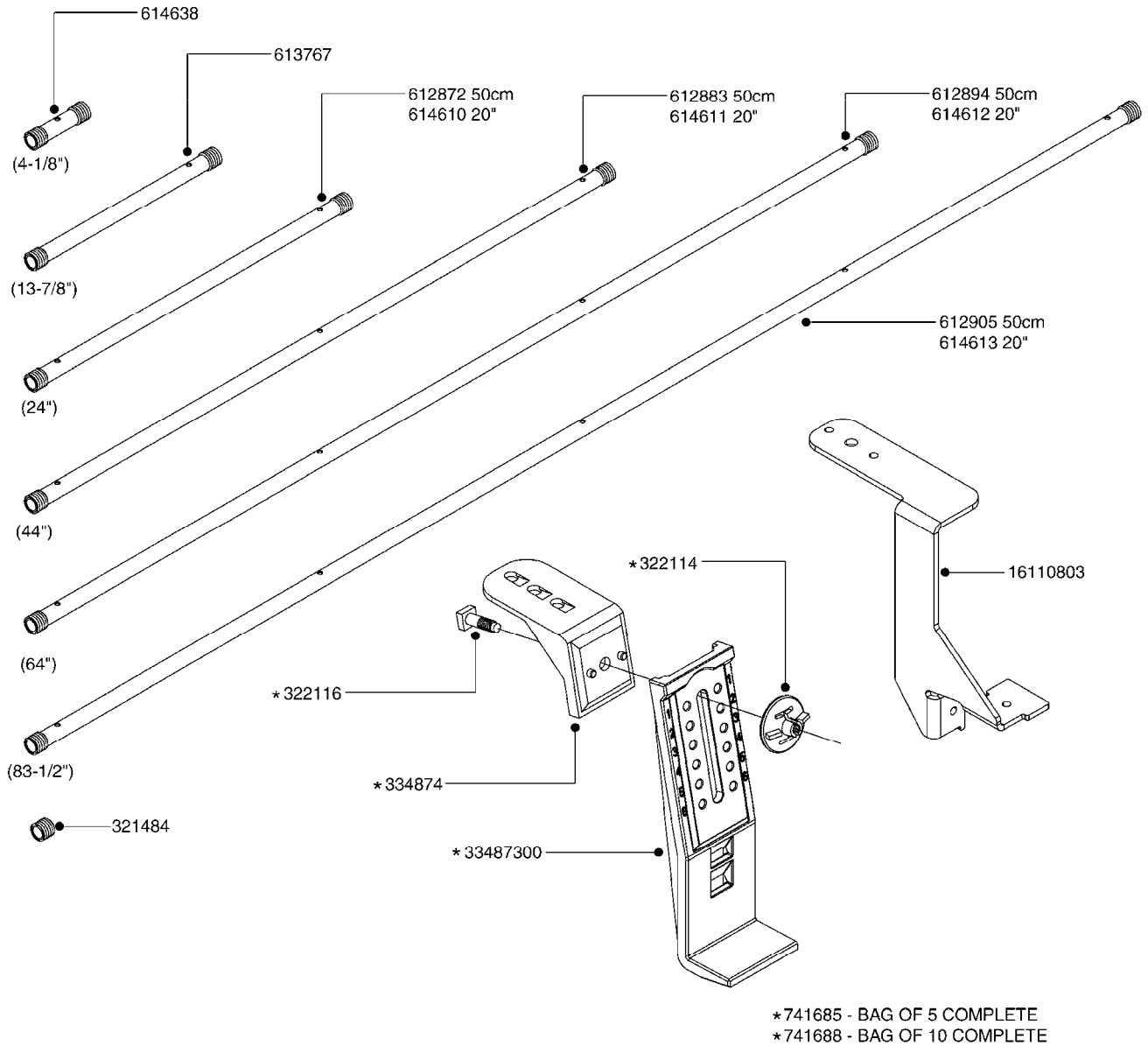


DOUBLE NOZZLE HOLDER-SNAP FIT
D625-HIN, 04:06:13

Page 1

Date 06.04.2015 9:06

| Pos. | parts-n° | order qty | description |
|------|----------|-----------|--------------------------------|
| 1 | 725078 | 1 | SNAP-FIT TRIPLET W/O NOZZ HOLD |
| 2 | 28032503 | 1 | DOUBLE NOZZLE HOLDER LD ISO |
| 3 | 28040103 | 1 | O-RING F.DOUBLE NOZZLE HOLDER |
| 4 | 28089103 | 1 | GASKET F.DOUBLE NOZZLE HOLDER |
| 5 | 70056803 | 1 | DOUBLE NOZZLE CAP ORANGE LD 01 |
| 5 | 70056903 | 1 | DOUBLE NOZZLE CAP GREEN LD 015 |
| 5 | 70057003 | 1 | DOUBLE NOZZLE CAP YELLOW LD 02 |
| 5 | 70057103 | 1 | DOUBLE NOZZLE CAP LILAC LD 025 |
| 5 | 70057203 | 1 | DOUBLE NOZZLE CAP BLUE LD 03 |
| 5 | 70057303 | 1 | DOUBLE NOZZLE CAP RED LD 04 |
| 5 | 70057403 | 1 | DOUBLE NOZZLE CAP BROWN LD 05 |



| | | |
|--|--------------------------------|---------------------------|
| | STAINLESS CLAMPS AND INSULATOR | |
| | 100X60MM - 741778 BAG OF 10 | |
| | 80X60MM - 741741 BAG OF 10 | 80X60MM - 741738 BAG OF 5 |
| | 50X50MM - 741737 BAG OF 10 | 50X50MM - 741734 BAG OF 5 |
| | 50X30MM - 741733 BAG OF 10 | 50X30MM - 741730 BAG OF 5 |

| | |
|-------------------------------------------------------------------------------------------------|---------------------------------------------------------------------------------------------------------------------------------------|
| BLANK TUBES: 614647 - 23-3/4" 614648 - 43-1/4" 614649 - 63" 614650 - 82-1/2" | DIMPLED TUBES: 615468 - 24-1/2" 615471 - 64" 615469 - 44" 615472 - 74-1/4" 615470 - 54-1/8" 615473 - 92" |
|-------------------------------------------------------------------------------------------------|---------------------------------------------------------------------------------------------------------------------------------------|

D630



NOZZLE TUBES & HOLDER-PLASTIC
D630-HIN, 12:04:13

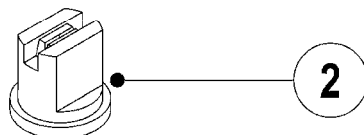
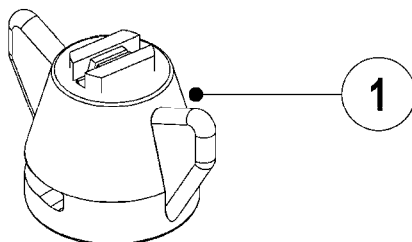
Page 1

Date 06.04.2015 9:06

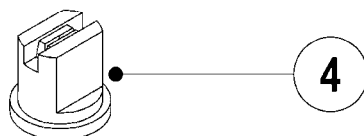
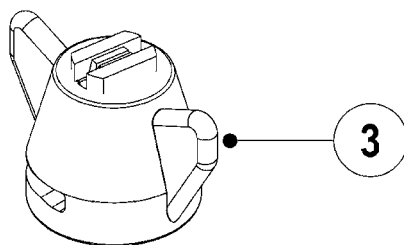
| parts-n° | order qty | description |
|----------|-----------|--------------------------------|
| 321484 | 1 | BUSHING THREADED F.NOZZ.TUBE |
| 322114 | 1 | NUT PLASTIC F.NOZZ.H |
| 322116 | 1 | BOLT PLASTIC F.NOZZ.H. |
| 334874 | 1 | NOZZLE HOLDER - TOP HALF |
| 612872 | 1 | NOZZLE TUBE 2 HOLE L-24"/50CM |
| 612883 | 1 | NOZZLE TUBE 3 HOLE L-44"/50CM |
| 612894 | 1 | NOZZLE TUBE 4 HOLE L-64"/50CM |
| 612905 | 1 | NOZZLE TUBE 5 HOLE L-83.5"/50C |
| 613767 | 1 | NOZZLE TUBE 1 HOLE L-13.875" |
| 614610 | 1 | NOZZLE TUBE 2 HOLE L-24"/SP20" |
| 614611 | 1 | NOZZLE TUBE 3 HOLE L-44"/SP20" |
| 614612 | 1 | NOZZLE TUBE 4 HOLE L-64"/SP20" |
| 614613 | 1 | NOZZLE TUBE 5 HOLE L-83.5"/20" |
| 614638 | 1 | NOZZLE TUBE 1 HOLE L-4.125" |
| 614647 | 1 | NOZZLE TUBE L=600mm NO HOLES |
| 614648 | 1 | NOZZLE TUBE L=1100mm NO HOLES |
| 614649 | 1 | NOZZLE TUBE L=1600mm NO HOLES |
| 614650 | 1 | NOZZLE TUBE L=2100mm NO HOLES |
| 615468 | 1 | NOZZLE TUBE MARKED 1" 24" |
| 615469 | 1 | NOZZLE TUBE MARKED 1" 44" |
| 615470 | 1 | NOZZLE TUBE MARKED 1" 54" |
| 615471 | 1 | NOZZLE TUBE MARKED 1" 64" |
| 615472 | 1 | NOZZLE TUBE MARKED 1" 74" |
| 615473 | 1 | NOZZLE TUBE MARKED 1" 92" |
| 741685 | 1 | NOZZLE HOLDER COMPLETE/5 PCS |
| 741688 | 1 | NOZZLE HOLDER COMPLETE/10PCS |
| 741730 | 1 | CLAMP,NZLE BKT BAG OF 5 50X30 |
| 741733 | 1 | CLAMP,NZLE BKT BAG OF 10 50X30 |
| 741734 | 1 | CLAMP,NZLE BKT BAG OF 5 50X50 |
| 741737 | 1 | CLAMP,NZLE BKT BAG OF 10 50X50 |
| 741738 | 1 | CLAMP,NZLE BKT BAG OF 5 80X60 |
| 741741 | 1 | CLAMP,NZLE BKT BAG OF 10 80x60 |
| 741778 | 1 | CLAMP,NZL BKT BAG OF 10 100x60 |
| 16110803 | 1 | NOZZLE BRACKET VAR SPACINGS |
| 33487300 | 1 | NOZZLE HOLDER - BOTTOM HALF |



SYNTAL



CERAMIC



D700

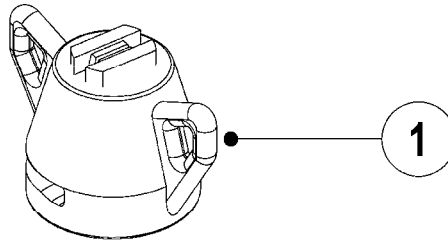


BOOM-NOZZLES 110° FLAT FAN ISO
D700-HIN, 14:12:07

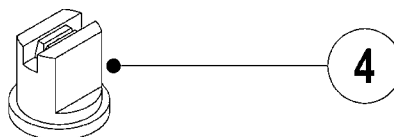
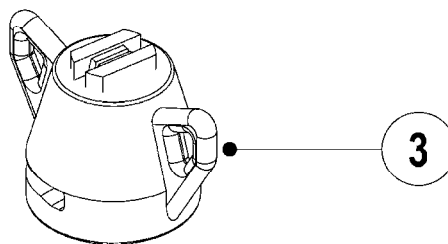
| Pos. | parts-n° | order qty | description |
|------|----------|-----------|--------------------------------|
| 1 | 371764 | 1 | NOZZLE ISO CT F-01-110 ORANGE |
| 1 | 371765 | 1 | NOZZLE ISO CT F-015-110 GREEN |
| 1 | 371766 | 1 | NOZZLE ISO CT F-02-110 YELLOW |
| 1 | 371767 | 1 | NOZZLE ISO CT F-03-110 BLUE |
| 1 | 371768 | 1 | NOZZLE ISO CT F-04-110 RED |
| 1 | 371769 | 1 | NOZZLE ISO CT F-05-110 BROWN |
| 1 | 371770 | 1 | NOZZLE ISO CT F-06-110 GREY |
| 1 | 371771 | 1 | NOZZLE ISO CT F-08-110 WHITE |
| 1 | 371950 | 1 | NOZZLE ISO CT F-025-110 LILAC |
| 1 | 371964 | 1 | NOZZLE ISO CT F-075-110 PINK |
| 1 | 371970 | 1 | NOZZLE ISO CT F-10-110 LT BLUE |
| 2 | 371706 | 1 | NOZZLE ISO F-01-110 ORANGE |
| 2 | 371707 | 1 | NOZZLE ISO F-015-110 GREEN |
| 2 | 371708 | 1 | NOZZLE ISO F-02-110 YELLOW |
| 2 | 371709 | 1 | NOZZLE ISO F-03-110 BLUE |
| 2 | 371710 | 1 | NOZZLE ISO F-04-110 RED |
| 2 | 371711 | 1 | NOZZLE ISO F-05-110 BROWN |
| 2 | 371712 | 1 | NOZZLE ISO F-06-110 GREY |
| 2 | 371713 | 1 | NOZZLE ISO F-08-110 WHITE |
| 2 | 371946 | 1 | NOZZLE ISO F-025-110 LILAC |
| 2 | 371963 | 1 | NOZZLE ISO F-075-110 PINK |
| 2 | 371966 | 1 | NOZZLE ISO F-10-110 LT BLUE |
| 3 | 371772 | 1 | NOZZLE ISO CT F-015-110C GREEN |
| 3 | 371773 | 1 | NOZZLE ISO CT F-02-110C YELLOW |
| 3 | 371774 | 1 | NOZZLE ISO CT F-03-110C BLUE |
| 3 | 371775 | 1 | NOZZLE ISO CT F-04-110C RED |
| 3 | 371776 | 1 | NOZZLE ISO CT F-05-110C BROWN |
| 3 | 371777 | 1 | NOZZLE ISO CT F-06-110C GREY |
| 4 | 371738 | 1 | NOZZLE ISO F-015-110C GREEN |
| 4 | 371739 | 1 | NOZZLE ISO F-02-110C YELLOW |
| 4 | 371740 | 1 | NOZZLE ISO F-03-110C BLUE |
| 4 | 371741 | 1 | NOZZLE ISO F-04-110C RED |
| 4 | 371742 | 1 | NOZZLE ISO F-05-110C BROWN |
| 4 | 371743 | 1 | NOZZLE ISO F-06-110C GREY |



SYNTAL



CERAMIC



D701



BOOM-NOZZLES 110° LOWDRIFT ISO
D701-HIN, 14:12:07

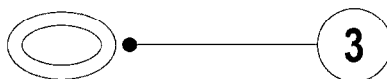
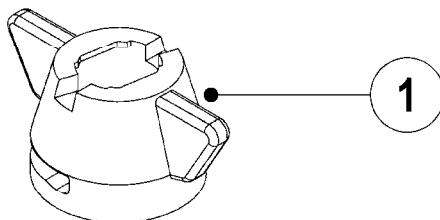
Page 1

Date 06.04.2015 9:06

| Pos. | parts-n° | order qty | description |
|------|----------|-----------|--------------------------------|
| 1 | 371837 | 1 | NOZZLE ISO CT LD-01-110 ORANGE |
| 1 | 371838 | 1 | NOZZLE ISO CT LD-015-110 GREEN |
| 1 | 371839 | 1 | NOZZLE ISO CT LD-02-110 YELLOW |
| 1 | 371840 | 1 | NOZZLE ISO CT LD-03-110 BLUE |
| 1 | 371841 | 1 | NOZZLE ISO CT LD-04-110 RED |
| 1 | 371894 | 1 | NOZZLE ISO CT LD-05-110 BROWN |
| 1 | 371958 | 1 | NOZZLE ISO CT LD-025-110 LILAC |
| 2 | 371817 | 1 | NOZZLE ISO LD-01-110 ORANGE |
| 2 | 371818 | 1 | NOZZLE ISO LD-015-110 GREEN |
| 2 | 371819 | 1 | NOZZLE ISO LD-02-110 YELLOW |
| 2 | 371820 | 1 | NOZZLE ISO LD-03-110 BLUE |
| 2 | 371821 | 1 | NOZZLE ISO LD-04-110 RED |
| 2 | 371893 | 1 | NOZZLE ISO LD-05-110 BROWN |
| 2 | 371957 | 1 | NOZZLE ISO LD-025-110 LILAC |
| 3 | 371842 | 1 | NOZZLE ISO CT LD-01-110C ORANG |
| 3 | 371843 | 1 | NOZZLE ISO CT LD-015-110C GRN |
| 3 | 371844 | 1 | NOZZLE ISO CT LD-02-110C YELLO |
| 3 | 371845 | 1 | NOZZLE ISO CT LD-03-110C BLUE |
| 3 | 371846 | 1 | NOZZLE ISO CT LD-04-110C RED |
| 3 | 371897 | 1 | NOZZLE ISO CT LD-05-110C BROWN |
| 4 | 371822 | 1 | NOZZLE ISO LD-01-110C ORANGE |
| 4 | 371823 | 1 | NOZZLE ISO LD-015-110C GREEN |
| 4 | 371824 | 1 | NOZZLE ISO LD-02-110C YELLOW |
| 4 | 371825 | 1 | NOZZLE ISO LD-03-110C BLUE |
| 4 | 371826 | 1 | NOZZLE ISO LD-04-110C RED |
| 4 | 371896 | 1 | NOZZLE ISO LD-05-110C BROWN |



SYNTAL



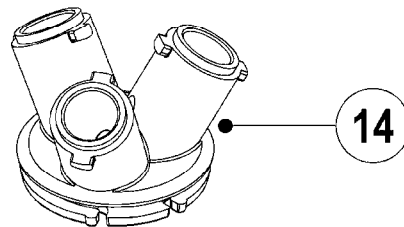
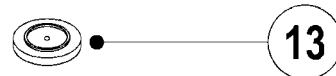
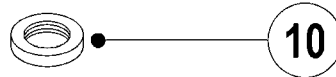
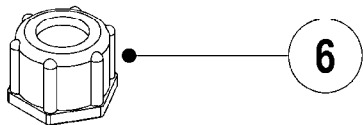
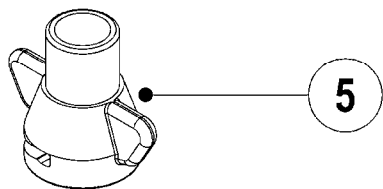
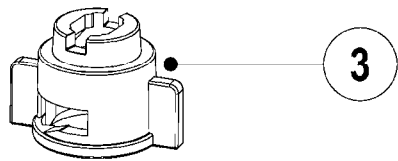
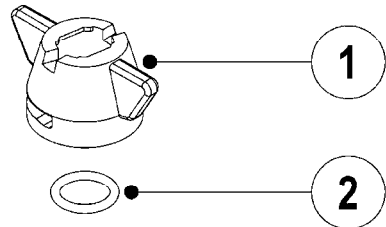
D702



BOOM-NOZZLES 80° FLAT FAN ISO
D702-HIN, 14:12:07

Page 1
Date 06.04.2015 9:06

| Pos. | parts-n° | order qty | description |
|------|----------|-----------|--------------------------------|
| 1 | 334083 | 1 | SNAP-FIT NOZZLE HOLDER SS BLCK |
| 2 | 371931 | 1 | SYNTAL ISO F-01-80 TIP ORNG |
| 2 | 371932 | 1 | SYNTAL ISO F-015-80 TIP GREEN |
| 2 | 371933 | 1 | SYNTAL ISO F-02-80 TIP YELLOW |
| 2 | 371934 | 1 | SYNTAL ISO F-03-80 TIP BLUE |
| 3 | 10423503 | 1 | O-RING 9.12x3.53 NITRIL |



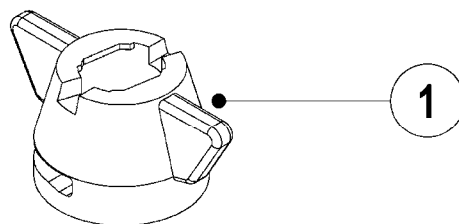
D703



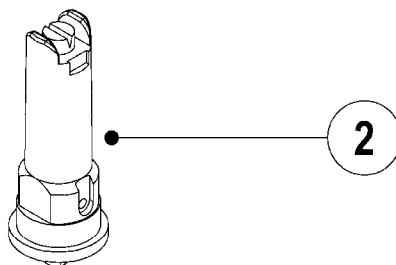
BOOM-NOZZLE CAPS AND FILTERS
D703-HIN, 14:12:07

Page 1
Date 06.04.2015 9:06

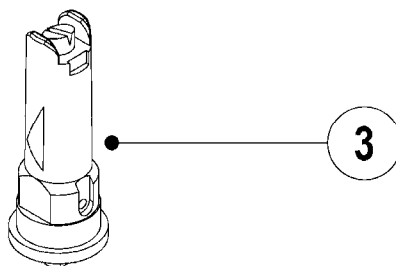
| Pos. | parts-n° | order qty | description |
|------|----------|-----------|---------------------------------------|
| 1 | 334083 | 1 | SNAP-FIT NOZZLE HOLDER SS BLCK |
| 2 | 10423503 | 1 | O-RING 9.12x3.53 NITRIL |
| 3 | 334862 | 1 | NOZZLE CAP TJBBLACK F.ISO/INJET |
| 4 | 242222 | 1 | GASKET 19.0 X 10.0 X 3.3 EPDM |
| 5 | 322068 | 1 | SNAP-FIT ADAPTER THREAD. HARDI |
| 6 | 320187 | 1 | FITT.DK CAP 3/8" BSP BLACK |
| 6 | 321517 | 1 | FITT.DK CAP 3/8" BSP WHITE |
| | | | ALWAYS USE WITH ISO AND INJET NOZZLES |
| 6 | 321797 | 1 | FITT.DK CAP 3/8' BSP BLUE |
| 6 | 321801 | 1 | FITT.DK CAP 3/8' BSP GREEN |
| 6 | 321812 | 1 | FITT.DK CAP 3/8' BSP RED |
| 6 | 321823 | 1 | FITT.DK CAP 3/8' BSP ORANGE |
| 6 | 321834 | 1 | FITT.DK CAP 3/8' BSP YELLOW |
| 7 | 330013 | 1 | O-RING D15/D10X2.5 F.3/8"NUT |
| 8 | 725042 | 1 | SCREEN 80 MESH W.GASKET, RED |
| 8 | 725043 | 1 | SCREEN 50 MESH W.GASKET,BLUE |
| 8 | 725044 | 1 | SCREEN 100 MESH W.GASKET,YELLO |
| 9 | 614366 | 1 | FILTER 50 MESH F.NOZZLE BLUE |
| 9 | 614367 | 1 | FILTER 80 MESH F.NOZZLE RED |
| 9 | 614368 | 1 | FILTER 100 MESH F.NOZZLE YEL. |
| 10 | 390639 | 1 | O-RING F.NOZZLE FILTER |
| 11 | 371551 | 1 | NOZZ LRG DROP FLAT SPRAY SINGL |
| 12 | 370016 | 1 | NOZZLE CONE JET 1553-08 |
| 12 | 370027 | 1 | NOZZLE CONE JET 1553-10 |
| 12 | 370031 | 1 | NOZZLE CONE JET 1553-12 |
| 12 | 370042 | 1 | NOZZLE CONE JET 1553-14 |
| 12 | 370053 | 1 | NOZZLE CONE JET 1553-16 |
| 12 | 370064 | 1 | NOZZLE CONE JET 1553-18 |
| 12 | 370075 | 1 | NOZZLE CONE JET 1553-20 |
| 12 | 370086 | 1 | NOZZLE CONE JET 1553-22 |
| 12 | 370097 | 1 | NOZZLE CONE JET 1553-24 |
| 12 | 370101 | 1 | NOZZLE CONE JET 1553-30 |
| 12 | 370112 | 1 | NOZZLE CONE JET 1553-35 |
| 12 | 370123 | 1 | NOZZLE CONE JET 1553-40 |
| 13 | 370134 | 1 | NOZZLE SWIRL 1554-GREY |
| 13 | 370145 | 1 | NOZZLE SWIRL 1554-BLACK |
| 13 | 370156 | 1 | NOZZLE SWIRL 1554-BLUE |
| 13 | 370167 | 1 | NOZZLE SWIRL 1554-1.3 WHITE |
| 14 | 334926 | 1 | SNAP-FIT TURN PLATE F TRIPLET |



INJET Nozzle SYNTAL



B-JET Nozzle SYNTAL



D704



BOOM-NOZZLES INJET
D704-HIN, 14:12:07

Page 1

Date 06.04.2015 9:06

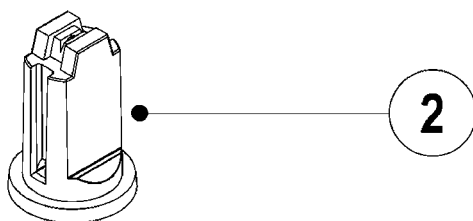
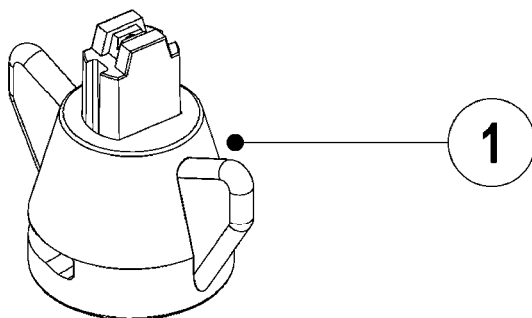
| Pos. | parts-n° | order qty | description |
|------|----------|-----------|--------------------------------|
| 1 | 334083 | 1 | SNAP-FIT NOZZLE HOLDER SS BLCK |
| 2 | 371872 | 1 | NOZZLE INJET 015 GREEN SINGLE |
| 2 | 371873 | 1 | NOZZLE INJET 02 YELLOW SINGLE |
| 2 | 371874 | 1 | NOZZLE INJET 025 LILAC SINGLE |
| 2 | 371875 | 1 | NOZZLE INJET 03 BLUE SINGLE |
| 2 | 371876 | 1 | NOZZLE INJET 04 RED SINGLE |
| 2 | 371926 | 1 | NOZZLE INJET 01 ORANGE SINGLE |
| 2 | 371927 | 1 | NOZZLE INJET 05 BROWN SINGLE |
| 2 | 371928 | 1 | NOZZLE INJET 06 GREY SINGLE |
| 2 | 371929 | 1 | NOZZLE INJET 08 WHITE SINGLE |
| 3 | 371870 | 1 | NOZZLE B-JET 03 BLUE |
| 3 | 371871 | 1 | NOZZLE B-JET 04 RED |
| 3 | 371877 | 1 | NOZZLE B-JET 025 LILAC |
| 3 | 371930 | 1 | NOZZLE B-JET 02 YELLOW |



BOOM-NOZZLES MINIDRIFT
D705-HIN, 14:12:07

Page 0

Date 06.04.2015 9:06



D705



BOOM-NOZZLES MINIDRIFT
D705-HIN, 14:12:07

Page 1
Date 06.04.2015 9:06

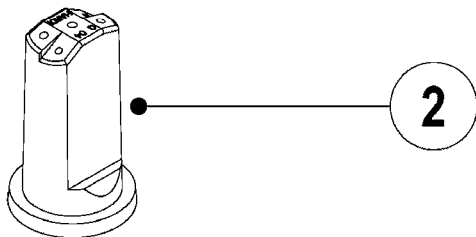
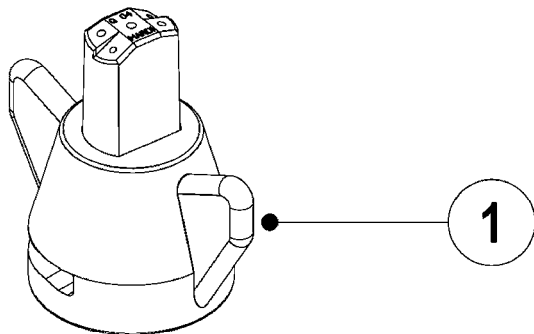
| Pos. | parts-n° | order qty | description |
|------|----------|-----------|--------------------------------|
| 1 | 372121 | 1 | NOZZLE ISO CT MD-015-110 GREEN |
| 1 | 372122 | 1 | NOZZLE ISO CT MD-02-110 YELLOW |
| 1 | 372123 | 1 | NOZZLE ISO CT MD-025-110 LILAC |
| 1 | 372124 | 1 | NOZZLE ISO CT MD-03-110 BLUE |
| 1 | 372125 | 1 | NOZZLE ISO CT MD-04-110 RED |
| 1 | 372126 | 1 | NOZZLE ISO CT MD-05-110 BROWN |
| 2 | 372111 | 1 | NOZZLE ISO MD-015-110 GREEN |
| 2 | 372112 | 1 | NOZZLE ISO MD-02-110 YELLOW |
| 2 | 372113 | 1 | NOZZLE ISO MD-025-110 LILAC |
| 2 | 372114 | 1 | NOZZLE ISO MD-03-110 BLUE |
| 2 | 372115 | 1 | NOZZLE ISO MD-04-110 RED |
| 2 | 372116 | 1 | NOZZLE ISO MD-05-110 BROWN |



BOOM-NOZZLES QUINTASTREAM
D706-HIN, 14:12:07

Page 0

Date 06.04.2015 9:06



D706

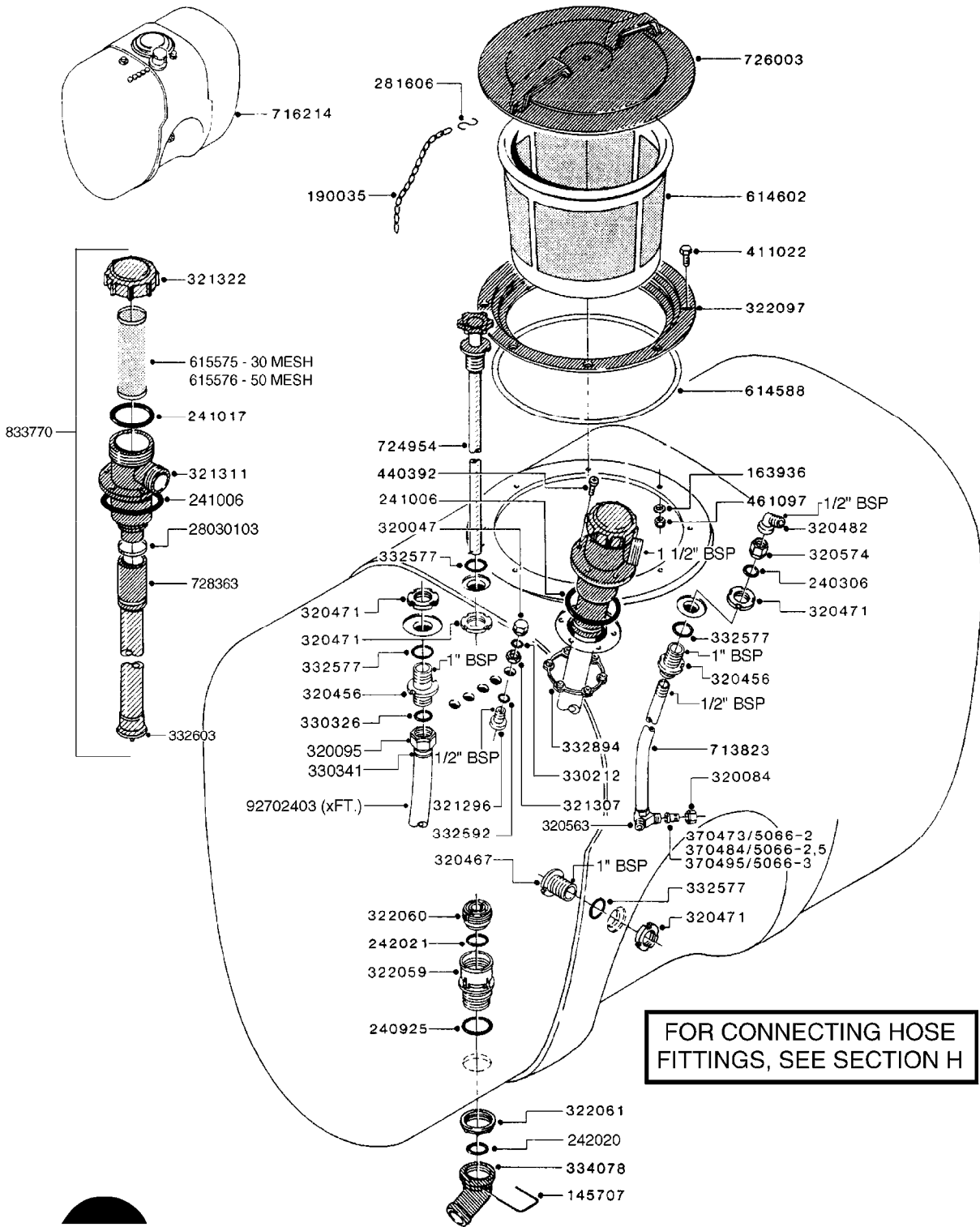


BOOM-NOZZLES QUINTASTREAM
D706-HIN, 14:12:07

Page 1

Date 06.04.2015 9:06

| Pos. | parts-n° | order qty | description |
|------|----------|-----------|-------------------------------|
| 1 | 372011 | 1 | NOZZLE ISO QS-015-5H GREEN |
| 1 | 372012 | 1 | NOZZLE ISO QS-02-5H YELLOW |
| 1 | 372013 | 1 | NOZZLE ISO QS-03-5H BLUE |
| 1 | 372014 | 1 | NOZZLE ISO QS-04-5H RED |
| 1 | 372015 | 1 | NOZZLE ISO QS-05-5H BROWN |
| 1 | 372016 | 1 | NOZZLE ISO QS-06-5H GREY |
| 1 | 372017 | 1 | NOZZLE ISO QS-08-5H WHITE |
| 1 | 372018 | 1 | NOZZLE ISO QS-10-5H LT. BLUE |
| 1 | 372019 | 1 | NOZZLE ISO QS-15-5H LT. GREEN |
| 2 | 372002 | 1 | ISO QNTSTRM 015 S-GREEN |
| 2 | 372003 | 1 | ISO QNTSTRM 02 S-YELLOW |
| 2 | 372004 | 1 | ISO QNTSTRM 03 S-BLUE |
| 2 | 372005 | 1 | ISO QNTSTRM 04 S-RED |
| 2 | 372006 | 1 | ISO QNTSTRM 05 S-BROWN |
| 2 | 372007 | 1 | ISO QNTSTRM 06 S-GREY |
| 2 | 372008 | 1 | ISO QNTSTRM 08 S-WHITE |
| 2 | 372009 | 1 | ISO QNTSTRM 10 S-LT.BLU |
| 2 | 372010 | 1 | ISO QNTSTRM 15 S-LT.GRN |



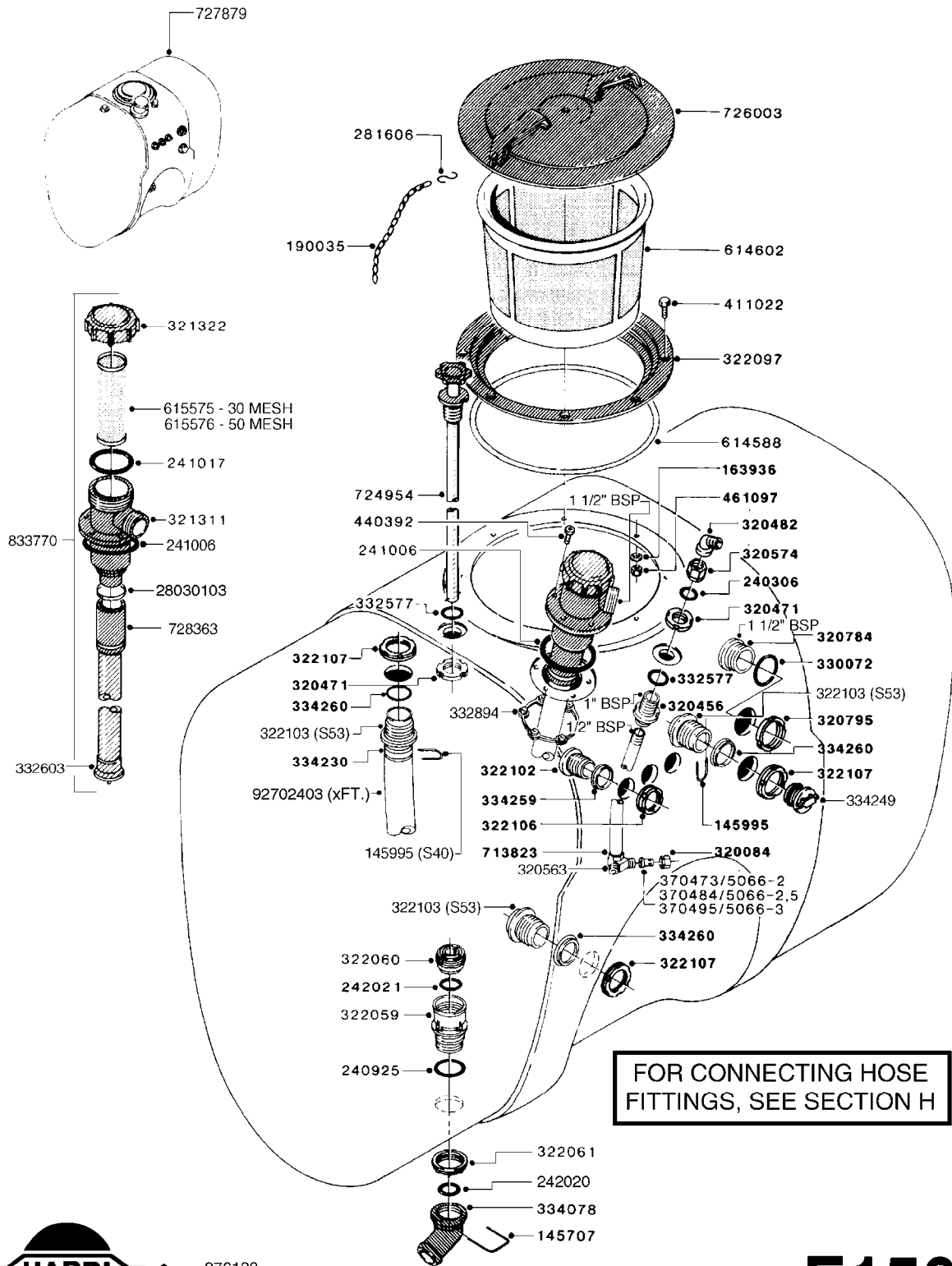


TANK - NK 210 (PRE 92)
E140-HIN, 07:09:11

Page 1

Date 06.04.2015 9:06

| parts-n° | order qty | description |
|----------|-----------|--------------------------------|
| 145707 | 1 | LOCK CLAMP F.BOTTOM DRAIN ASSY |
| 163936 | 1 | WASHER D15/D6.2X1 |
| 190035 | 1 | CHAIN 365MM |
| 240306 | 1 | O-RING D29/D21X4 |
| 240925 | 1 | O-RING D49.5X3 NITRIL |
| 241006 | 1 | O-RING D79,2X5,7 NITRIL |
| 241017 | 1 | O-RING D74,5X3 NITRIL |
| 242020 | 1 | O-RING 39.2 X 3 VITON |
| 242021 | 1 | O-RING D.37,69x3,53 VITON |
| 281606 | 1 | S-HOOK GALVANIZED |
| 320047 | 1 | FITT.DK CAPNUT 1/2" BSP |
| 320084 | 1 | FITT.DK NUT 1/2" BSP |
| 320095 | 1 | FITT.DK NUT 1" BSP |
| 320456 | 1 | FITT.DK BULKHEAD 1"BSP DOUBLE |
| 320467 | 1 | FITT.DK BULKHEAD 1"BSP SINGLE |
| 320471 | 1 | FITT.DK NUT 1" BSP JAMB |
| 320482 | 1 | FITT.DK ELB. 1/2" BSP 60 DEG. |
| 320563 | 1 | FITT.DK 3 WAY 1/2" 110 DEG. |
| 320574 | 1 | FITT.DK NUT 1" BSP SPECIAL |
| 321296 | 1 | FITT.DK BULKHEAD 1/2" BSP SING |
| 321307 | 1 | FITT.DK NUT 1/2" BSP JAMB |
| 321311 | 1 | FILTER BODY S 80 X 4 |
| 321322 | 1 | SCREW CAP F. S80 X 4 |
| 322059 | 1 | BULKHEAD FOR BOTTOM VALVE |
| 322060 | 1 | STOPPER FOR BOTTOM VALVE |
| 322061 | 1 | NUT FOR BOTTOM VALVE |
| 322097 | 1 | THREADED RING F. LID |
| 330212 | 1 | O-RING D19/D14X2.4 F.1/2"NUT |
| 330326 | 1 | O-RING D30/D24X2 F.1"NUT |
| 330341 | 1 | FITT.DK HB 1" F. 1" NUT |
| 332577 | 1 | O-RING D38/D30X4 F.1" PUR. |
| 332592 | 1 | O-RING D26/D20X3 |
| 332603 | 1 | CAP F. SUCTION TUBE |
| 332894 | 1 | RETAIN.RING FOR SUCTION FILTER |
| 334078 | 1 | FITT.DK ELB.F.BOTTOM DRAIN ASY |
| 370473 | 1 | NOZZLE INJECTOR 5066-2.0 |
| 370484 | 1 | NOZZLE INJECTOR 5066-2.5 |
| 370495 | 1 | NOZZLE INJECTOR 5066-3.0 |
| 411022 | 1 | SCREW M.6X30 STAINLESS PHILLIP |
| 440392 | 1 | SCREW 6.3 X 25.0 DIN7981C TORX |
| 461097 | 1 | NUT M6 STAINLESS SAFETY |
| 614588 | 1 | SEAL F. LID |
| 614602 | 1 | FILTER BASKET |
| 615575 | 1 | FILTER F.TOP SUCT.30 MESH GRN. |
| 615576 | 1 | FILTER F.TOP SUCT.50 MESH BLUE |
| 713823 | 1 | AGITATION TUBE CPL.NK210 |
| 716214 | 1 | TANK NK 210 3 PT. |
| 724954 | 1 | BOTTOM VALVE UPPER PART 265GAL |
| 726003 | 1 | LID F. TANK |
| 728363 | 1 | SUCTION TUBE ASSY.L=72" |
| 833770 | 1 | TOP SUCTION KIT 300/500 |
| 976183 | 1 | DECAL COMPANY 185 X 300 |
| 28030103 | 1 | CLAMP HOSE GEAR P5/4-S1.5"6724 |
| 92702403 | 1 | HOSE PVC SUCT GRAY 1" |



FOR CONNECTING HOSE FITTINGS, SEE SECTION H



976183

E150

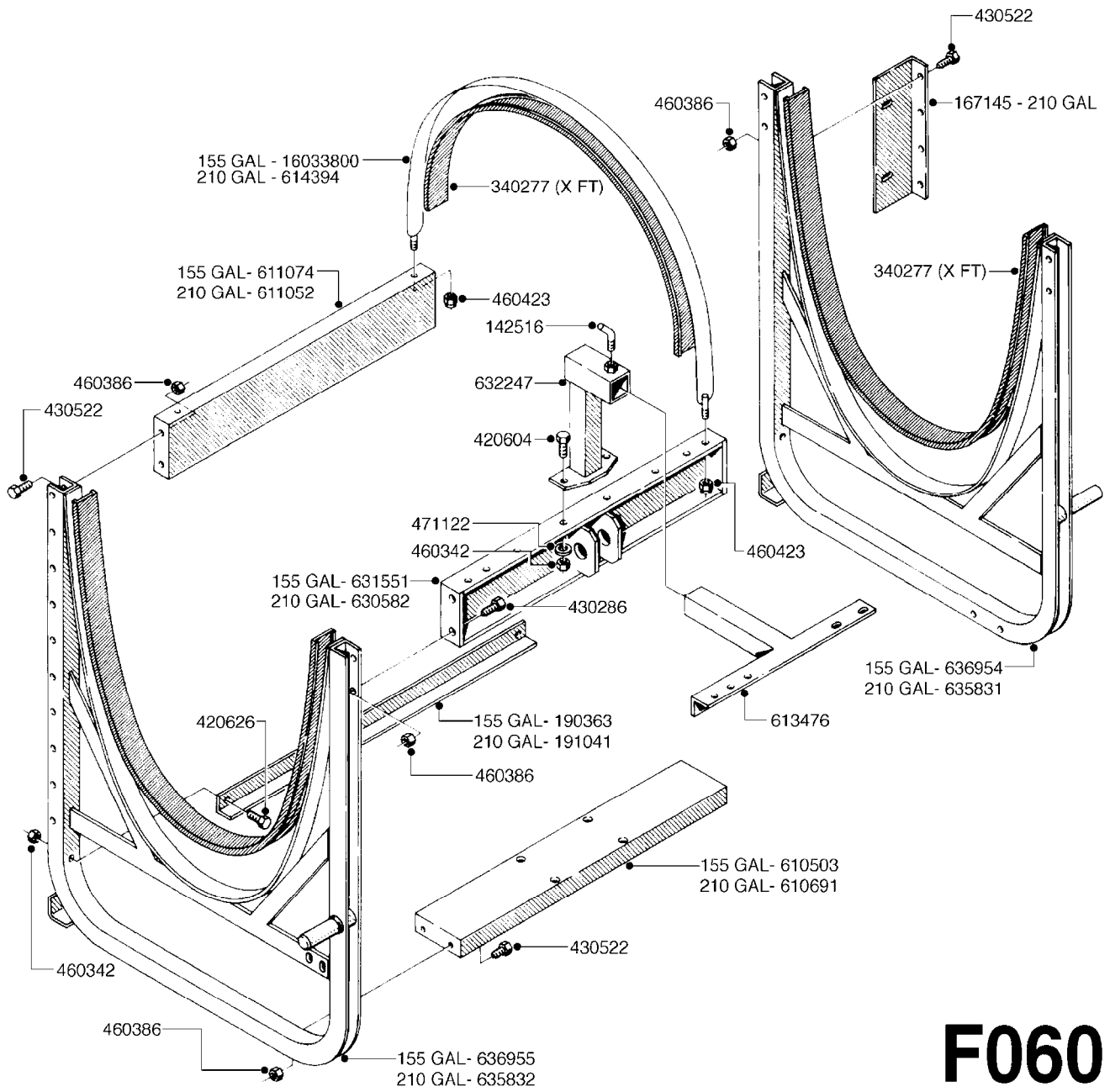


TANK - NK 210 (POST 92)
E150-HIN, 07:09:11

Page 1

Date 06.04.2015 9:06

| parts-n° | order qty | description |
|----------|-----------|--------------------------------|
| 145707 | 1 | LOCK CLAMP F.BOTTOM DRAIN ASSY |
| 145995 | 1 | FITT.DK S-53 FORK |
| 163936 | 1 | WASHER D15/D6.2X1 |
| 190035 | 1 | CHAIN 365MM |
| 240306 | 1 | O-RING D29/D21X4 |
| 240925 | 1 | O-RING D49.5X3 NITRIL |
| 241006 | 1 | O-RING D79,2X5,7 NITRIL |
| 241017 | 1 | O-RING D74,5X3 NITRIL |
| 242020 | 1 | O-RING 39.2 X 3 VITON |
| 242021 | 1 | O-RING D.37,69x3,53 VITON |
| 281606 | 1 | S-HOOK GALVANIZED |
| 320084 | 1 | FITT.DK NUT 1/2" BSP |
| 320456 | 1 | FITT.DK BULKHEAD 1"BSP DOUBLE |
| 320471 | 1 | FITT.DK NUT 1" BSP JAMB |
| 320482 | 1 | FITT.DK ELB. 1/2" BSP 60 DEG. |
| 320563 | 1 | FITT.DK 3 WAY 1/2" 110 DEG. |
| 320574 | 1 | FITT.DK NUT 1" BSP SPECIAL |
| 320784 | 1 | FITT.DK CAP 1-1/2" BSP |
| 320795 | 1 | FITT.DK NUT 1-1/2" BSP JAMB |
| 321311 | 1 | FILTER BODY S 80 X 4 |
| 321322 | 1 | SCREW CAP F. S80 X 4 |
| 322059 | 1 | BULKHEAD FOR BOTTOM VALVE |
| 322060 | 1 | STOPPER FOR BOTTOM VALVE |
| 322061 | 1 | NUT FOR BOTTOM VALVE |
| 322097 | 1 | THREADED RING F. LID |
| 322102 | 1 | FITT.DK S-40 BULKHEAD |
| 322103 | 1 | FITT.DK S-53 BULKHEAD |
| 322106 | 1 | FITT.DK S-40 BULKHEAD NUT |
| 322107 | 1 | FITT.DK S-53 BULKHEAD NUT |
| 330072 | 1 | O-RING D53.5/D45.5X4 |
| 332577 | 1 | O-RING D38/D30X4 F.1" PUR. |
| 332603 | 1 | CAP F. SUCTION TUBE |
| 332894 | 1 | RETAIN.RING FOR SUCTION FILTER |
| 334078 | 1 | FITT.DK ELB.F.BOTTOM DRAIN ASY |
| 334230 | 1 | FITT.DK S-53 STR.1" |
| 334249 | 1 | FITT.DK S-53 PLUG |
| 334259 | 1 | GASKET F. S-40 BULKHEAD |
| 334260 | 1 | GASKET F. S-53 BULKHEAD |
| 370473 | 1 | NOZZLE INJECTOR 5066-2.0 |
| 370484 | 1 | NOZZLE INJECTOR 5066-2.5 |
| 370495 | 1 | NOZZLE INJECTOR 5066-3.0 |
| 411022 | 1 | SCREW M.6X30 STAINLESS PHILLIP |
| 440392 | 1 | SCREW 6.3 X 25.0 DIN7981C TORX |
| 461097 | 1 | NUT M6 STAINLESS SAFETY |
| 614588 | 1 | SEAL F. LID |
| 614602 | 1 | FILTER BASKET |
| 615575 | 1 | FILTER F.TOP SUCT.30 MESH GRN. |
| 615576 | 1 | FILTER F.TOP SUCT.50 MESH BLUE |
| 713823 | 1 | AGITATION TUBE CPL.NK210 |
| 724954 | 1 | BOTTOM VALVE UPPER PART 265GAL |
| 726003 | 1 | LID F. TANK |
| 727879 | 1 | TANK ASSY. NK210 |
| 728363 | 1 | SUCTION TUBE ASSY.L=72" |
| 833770 | 1 | TOP SUCTION KIT 300/500 |
| 976183 | 1 | DECAL COMPANY 185 X 300 |
| 28030103 | 1 | CLAMP HOSE GEAR P5/4-S1.5"6724 |
| 92702403 | 1 | HOSE PVC SUCT GRAY 1" |



F060



FRAME NK 155/210
F060-HIN, 01:01:01

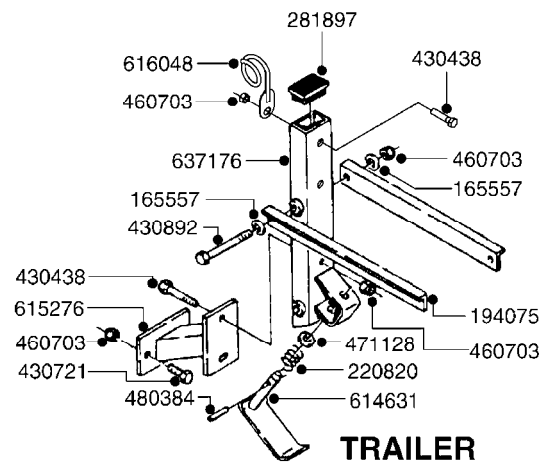
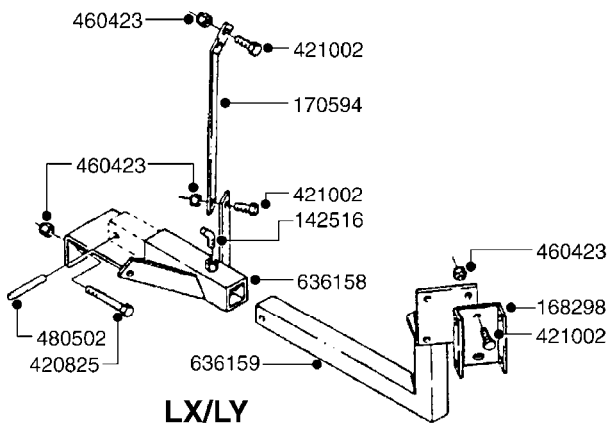
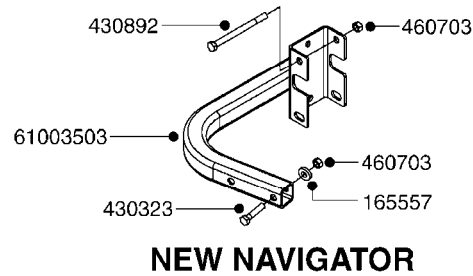
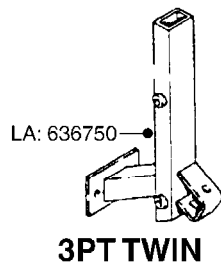
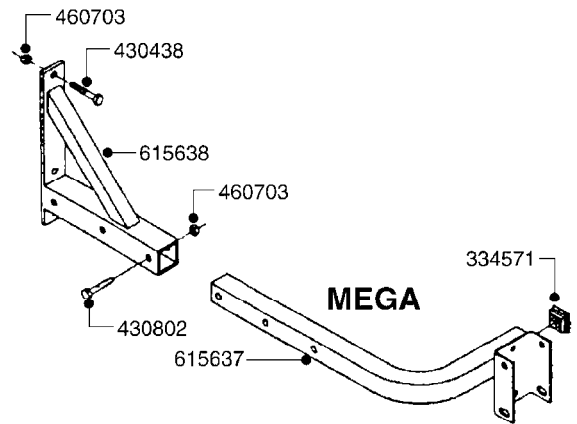
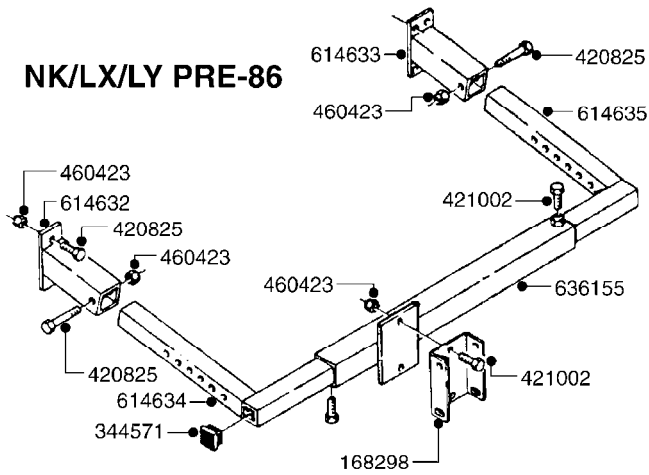
Page 1

Date 06.04.2015 9:07

| parts-n° | order qty | description |
|----------|-----------|-----------------------------------|
| 142516 | 1 | SCREW SET M10 BENT F. LOCKING |
| 16033800 | 1 | TANK STRAP NL155 L=1380MM '01 |
| 167145 | 1 | BRKT. FOR BOOM NL/NK 210 |
| 190363 | 1 | CROSSBAR BOTTOM NL/NK 105/155 |
| 191041 | 1 | CROSSBAR BOTTOM NL/NK 210 |
| 340277 | 1 | TANK PACKING - 40mm WIDE x 12" |
| 420604 | 1 | BOLT HEX 8.8 DEL M10X25 FT DIN933 |
| 420626 | 1 | BOLT HEX 8.8 DEL M10X20 FT |
| 430286 | 1 | BOLT HEX 8.8 DEL M12X30 FT |
| 430522 | 1 | BOLT HEX 8.8 DEL M12X25 FT |
| 460342 | 1 | NUT HEX M10 DEL DIN934 |
| 460386 | 1 | NUT HEX M12X1.75 |
| 460423 | 1 | NUT HEX M10X1.5 LOCK |
| 471122 | 1 | WASHER D20/D10.5X2 SS |
| 610503 | 1 | PUMP BASE NL/NK 80/105/155 |
| 610691 | 1 | PUMP BASE NL/NK 210 |
| 611052 | 1 | BRACKET TOP CROSS NL/NK 210 |
| 611074 | 1 | BRACKET CROSS NL/NK80/105/155 |
| 613476 | 1 | BRACKET MOUNT F.BK180 CONTROL |
| 614394 | 1 | TANK STRAP NK 210 L= |
| 630582 | 1 | TOP BAR CONNECTION NL/NK 210 |
| 631551 | 1 | TOP BAR CONNECTION NL/NK 155 |
| 632247 | 1 | POST F.OPERATING UNIT BK/LX-LY |
| 635831 | 1 | FRAME NK 210 LEFT POST'92 |
| 635832 | 1 | FRAME NK 210 RIGHT POST'92 |
| 636954 | 1 | SIDE FRAME NK 600 LEFT |
| 636955 | 1 | SIDE FRAME NK 600 RIGHT |



NK/LX/LY PRE-86



**TRAILER
G050**

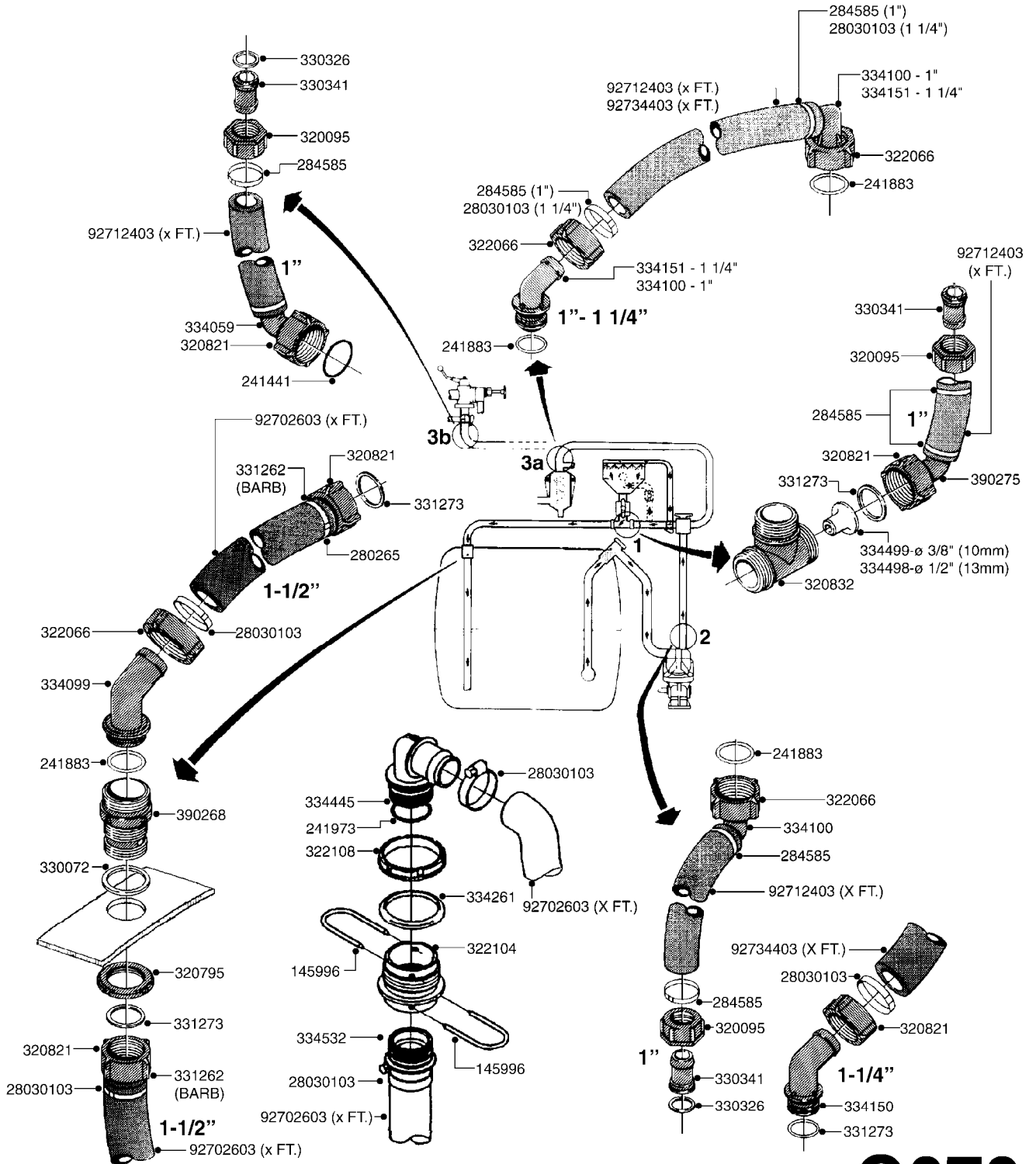


CHEM.FILLER-MOUNTING BRACKETS
G050-HIN, 06:10:10

Page 1

Date 06.04.2015 9:07

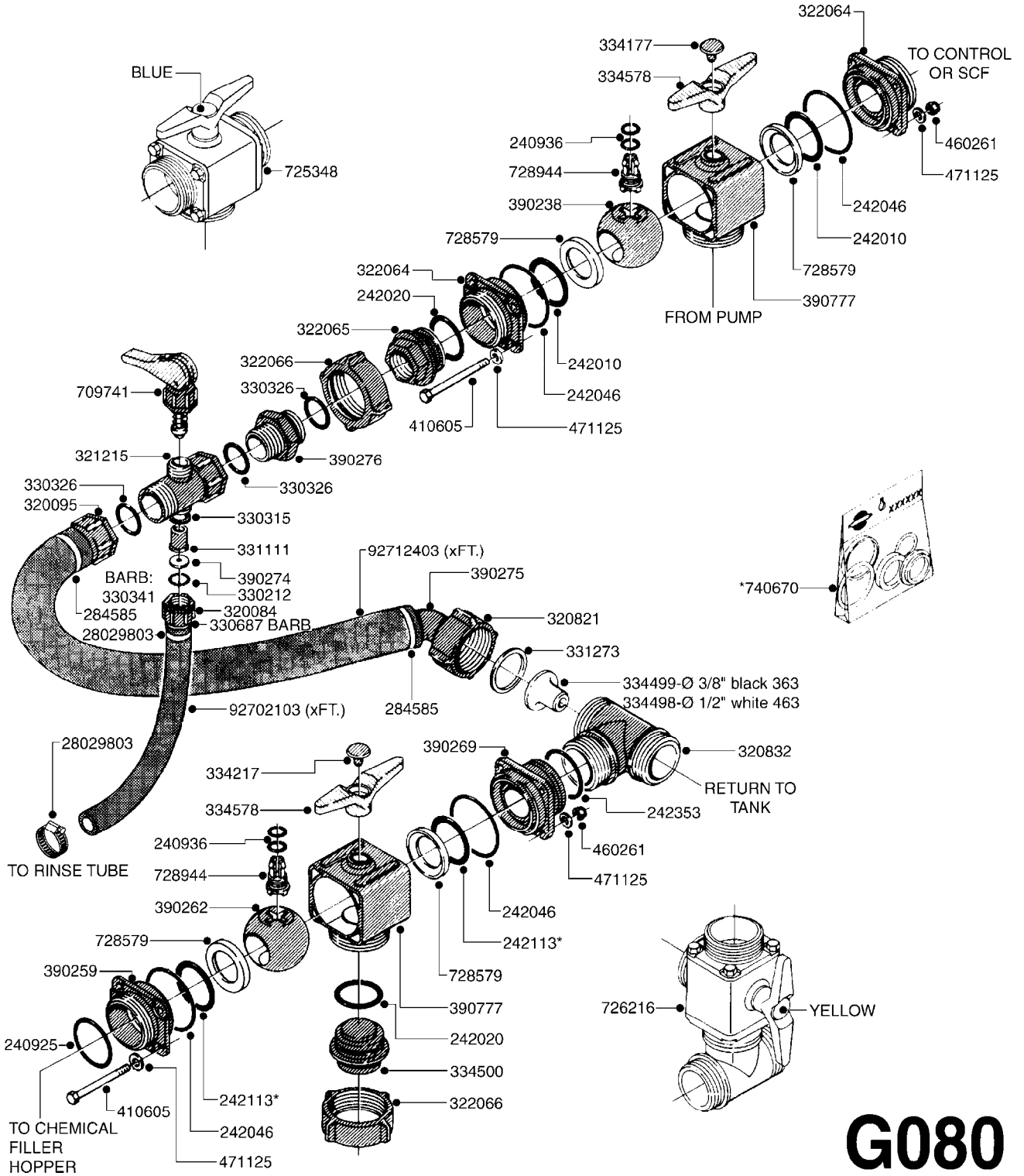
| parts-n° | order qty | description |
|----------|-----------|-----------------------------------|
| 142516 | 1 | SCREW SET M10 BENT F. LOCKING |
| 165557 | 1 | WASHER D28.0/D12.2X2.0 SS |
| 168298 | 1 | INTERM BRACKET |
| 170594 | 1 | 170594 |
| 194075 | 1 | MOUNT ARM F.CHEM.FILL BRACKET |
| 220820 | 1 | SPRING D20.5/2.0 0-50MM |
| 281897 | 1 | COVER PLUG |
| 334571 | 1 | TAPON 40x40x2 EMBELLECEDOR |
| 420825 | 1 | BOLT HEX 8.8 DEL M10X65 |
| 421002 | 1 | BOLT HEX 8.8 DEL M10X30 FT DIN933 |
| 430323 | 1 | BOLT HEX 8.8 DEL M12X60 |
| 430438 | 1 | BOLT HEX 8.8 DEL M12X65 |
| 430721 | 1 | BOLT HEX 8.8 DEL M12X40 FT |
| 430802 | 1 | BOLT HEX 8.8 DEL M12X75 |
| 430892 | 1 | BOLT HEX 8.8 DEL M12X110 |
| 460423 | 1 | NUT HEX M10X1.5 LOCK |
| 460703 | 1 | NUT HEX M12X1.75 LOCK DIN985 |
| 471128 | 1 | WASHER D30/D17X3 |
| 480384 | 1 | PIN COTTER 3/16 x 1-1/2" |
| 480502 | 1 | PIN RETAINING M10X50 DIN 1481 |
| 614631 | 1 | FOOT PEDAL FOR FILLER |
| 614632 | 1 | SOCKET FOR SUSPENSION LEFT |
| 614633 | 1 | SOCKET FOR SUSPENSION RIGHT |
| 614634 | 1 | MOUNT BRACKET F.ACCESS. RIGHT |
| 614635 | 1 | MOUNT BRACKET F. ACCESS. LEFT |
| 615276 | 1 | BRACKET F.CHEM.FILL MOUNT |
| 615637 | 1 | MNT. BRKT. MEGA CHEM. FILLER |
| 615638 | 1 | MOUNT BKT.F.CHEM FILLER MEGA |
| 616048 | 1 | HOSE HOLDER |
| 636155 | 1 | CENTER-PCS. F.SUSPENSION |
| 636158 | 1 | TELESCOPE HOLDER |
| 636159 | 1 | TELESCOPE PIPE F.HARDI FILLER |
| 636750 | 1 | 636750 |
| 637176 | 1 | CONSOLE F. CHEMFILL BRACKET |



G070



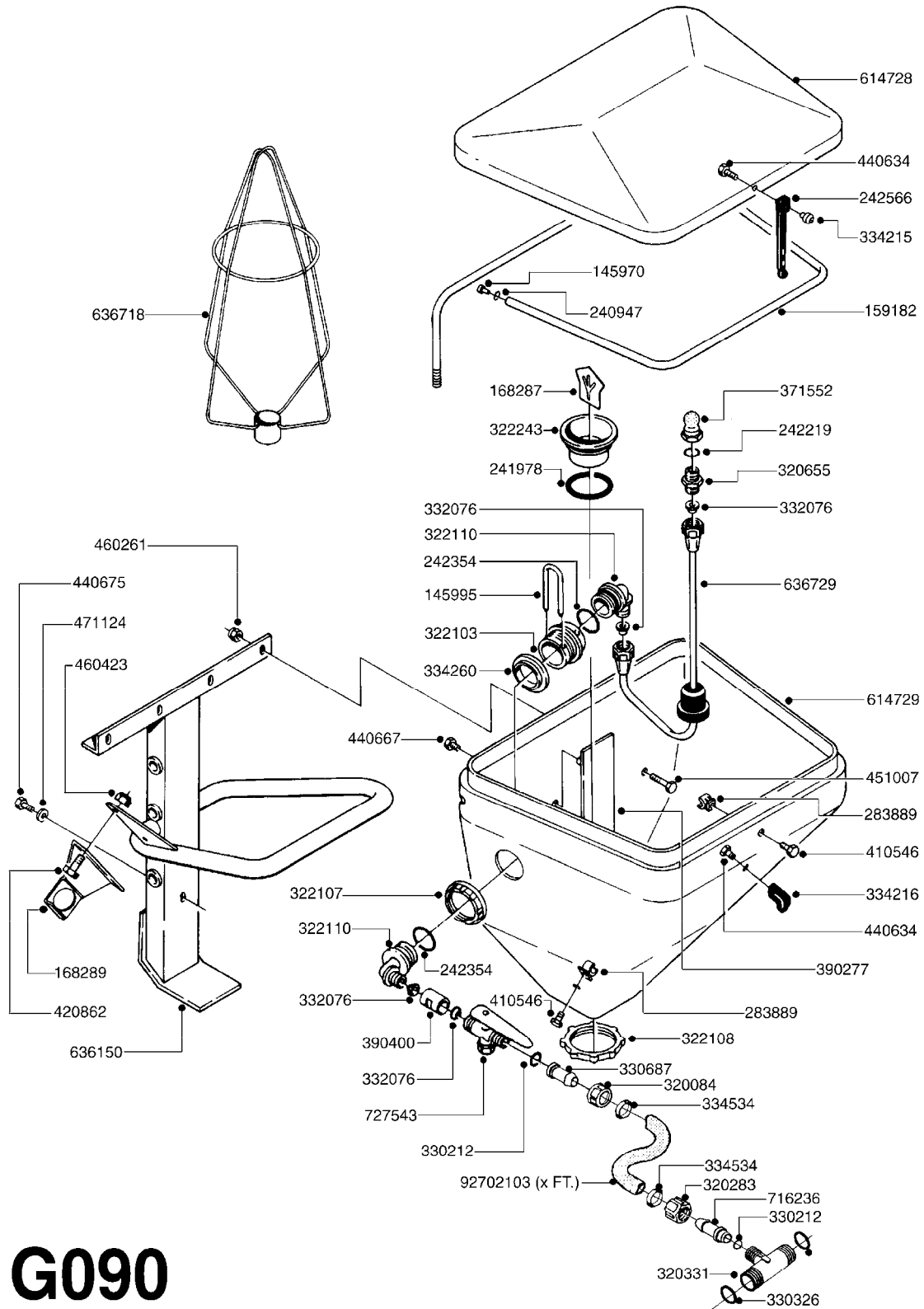
| parts-n° | order qty | description |
|----------|-----------|--------------------------------|
| 145996 | 1 | FITT.DK S-67 FORK |
| 241441 | 1 | O-RING D29.3X3 |
| 241883 | 1 | O-RING D39.2X3 NITRIL 242020 |
| 241973 | 1 | O-RING 44.2 x 3.0 (use-242353) |
| 280265 | 1 | CLMP HS GEAR1-1/2" alt28030103 |
| 284585 | 1 | CLAMP HOSE GEAR 1" MINI 020 |
| 320095 | 1 | FITT.DK NUT 1" BSP |
| 320795 | 1 | FITT.DK NUT 1-1/2" BSP JAMB |
| 320821 | 1 | FITT.DK NUT 1-1/2" BSP |
| 320832 | 1 | FITT.DK TEE 1-1/2x1-1/2x1-1/2 |
| 322066 | 1 | FITT.DK S-56 NUT |
| 322104 | 1 | FITT.DK S-67 BULKHEAD |
| 322108 | 1 | FITT.DK S-67 BULKHEAD NUT |
| 330072 | 1 | O-RING D53.5/D45.5X4 |
| 330326 | 1 | O-RING D30/D24X2 F.1"NUT |
| 330341 | 1 | FITT.DK HB 1" F. 1" NUT |
| 331262 | 1 | FITT.DK HB 1-1/2" F. 1-1/2"NUT |
| 331273 | 1 | O-RING D44/D38X2 F.1-1/2" |
| 334059 | 1 | FITT.DK EL 1" 110 DEG.F.1-1/2" |
| 334099 | 1 | FITT.DK S-61 ELB.1-1/2"110 DEG |
| 334100 | 1 | FITT.DK S-61 ELB.1" 110 DEG. |
| 334150 | 1 | FITT.DK HB 1-1/4" 110 F.1-1/2" |
| 334151 | 1 | FITT.DK S-61 ELB.1-1/4"110 DEG |
| 334261 | 1 | GASKET F. S-67 BULKHEAD |
| 334445 | 1 | FITT.DK S-67 ELB.1-1/2" |
| 334498 | 1 | NOZZLE INJECTOR 13MM/462 WHITE |
| 334499 | 1 | NOZZLE INJECTOR 10MM/361 BLACK |
| 334532 | 1 | FITT.DK S-67 STR.1-1/2' W/HOLE |
| 390268 | 1 | FITT.DK BULKHEAD 1-1/2' SPEC. |
| 390275 | 1 | FITT.DK ELB 1' SPECIAL F.CHEMF |
| 28030103 | 1 | CLAMP HOSE GEAR P5/4-S1.5"6724 |
| 92702603 | 1 | HOSE PVC SUCT GRAY 1-1/2" |
| 92712403 | 1 | HOSE R X1" X300PSI WP X0012" |
| 92734403 | 1 | HOSE R X5/4" X200PSI WP X0012" |



G080



| parts-n° | order qty | description |
|----------|-----------|--------------------------------|
| 240925 | 1 | O-RING D49.5X3 NITRIL |
| 240936 | 1 | O-RING D13.3X2.4 NITRIL |
| 242010 | 1 | O-RING D37.47X5.33 |
| 242020 | 1 | O-RING 39.2 X 3 VITON |
| 242046 | 1 | O-RING D60X2 |
| 242113 | 1 | O-RING D37.5X5.3 VITON |
| 242353 | 1 | O-RING D44.2X3.0 VITON F.S-67 |
| 284585 | 1 | CLAMP HOSE GEAR 1" MINI 020 |
| 320084 | 1 | FITT.DK NUT 1/2" BSP |
| 320095 | 1 | FITT.DK NUT 1" BSP |
| 320821 | 1 | FITT.DK NUT 1-1/2" BSP |
| 320832 | 1 | FITT.DK TEE 1-1/2x1-1/2x1-1/2 |
| 321215 | 1 | FITT.DK HOUSING F. AGITATION |
| 322064 | 1 | END COVER W.S56 |
| 322065 | 1 | FITT.DK UNION 1' BSP/S-56 |
| 322066 | 1 | FITT.DK S-56 NUT |
| 330212 | 1 | O-RING D19/D14X2.4 F.1/2"NUT |
| 330315 | 1 | O-RING D18.4/D13X.6 |
| 330326 | 1 | O-RING D30/D24X2 F.1"NUT |
| 330341 | 1 | FITT.DK HB 1" F. 1" NUT |
| 330687 | 1 | FITT.DK HB 1/2" F. 1/2" NUT |
| 331111 | 1 | VALVE SEAT FOR 1/2" DISTRIBUT. |
| 331273 | 1 | O-RING D44/D38X2 F.1-1/2" |
| 334177 | 1 | VALVE INDICATOR BLUE |
| 334217 | 1 | VALVE INDICATOR YELLOW |
| 334498 | 1 | NOZZLE INJECTOR 13MM/462 WHITE |
| 334499 | 1 | NOZZLE INJECTOR 10MM/361 BLACK |
| 334500 | 1 | FITT.DK S-56 PLUG W/ 4.2Ø Hole |
| 334578 | 1 | HANDLE FOR VALVE 'OLD' STYLE |
| 390238 | 1 | BALL F. 3 WAY PRESSURE VALVE |
| 390259 | 1 | END COVER S56 F.3 WAY VALVE |
| 390262 | 1 | BALL F. 2 WAY VALVE |
| 390269 | 1 | END COVER S56 1-1/2"F.3WAY VLV |
| 390274 | 1 | ORIFICE ID4.0/18/1.5 |
| 390275 | 1 | FITT.DK ELB 1' SPECIAL F.CHEMF |
| 390276 | 1 | FITT.DK HN 1'BSP |
| 390777 | 1 | HOUSING F.BALL VALVE 3 WAY |
| 410605 | 1 | BOLT HEX 8.8 DEL M6X80 |
| 460261 | 1 | NUT HEX M6X1 LOCK A2 DIN985 |
| 471125 | 1 | WASHER M6U D12/D6.4x1.6 SS A2 |
| 709741 | 1 | VALVE ASSY. 1/2" FLIP LEVER |
| 725348 | 1 | VALVE 3 WAY BLUE |
| 726216 | 1 | VALVE TWO WAY |
| 728579 | 1 | SEAL F BALL |
| 728944 | 1 | VALVE STEM & COLOURED CAPS |
| 740670 | 1 | SEAL KIT F. BALL VALVE VITON |
| 28029803 | 1 | CLAMP HOSE GEAR P1/2" 6708 |
| 92702103 | 1 | HOSE R X1/2" X300PSI WP X0012" |
| 92712403 | 1 | HOSE R X1" X300PSI WP X0012" |



G090

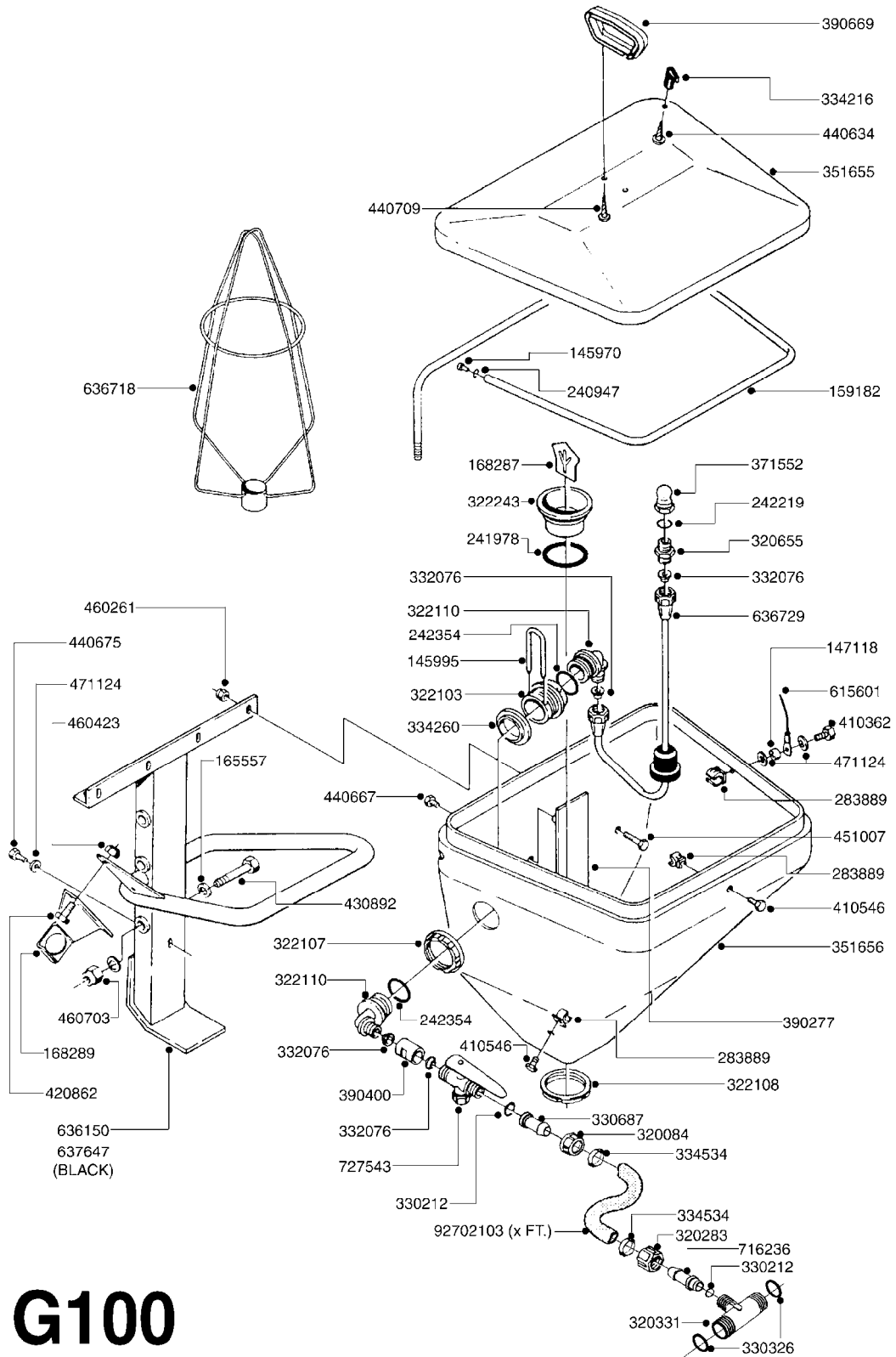


CHEMICAL FILLER-HOPPER (PRE95)
G090-HIN, 19:05:11

Page 1

Date 06.04.2015 9:07

| parts-n° | order qty | description |
|----------|-----------|--------------------------------|
| 145970 | 1 | PLUG MF 11 X 1 |
| 145995 | 1 | FITT.DK S-53 FORK |
| 159182 | 1 | RINSING TUBE CHEM.FILL |
| 168287 | 1 | PLATE ANTI-VORTEX F.CHEM FILL |
| 168289 | 1 | BRACKET F. 3-WAY VALVE |
| 240947 | 1 | O-RING D7.3X2.4 NITRIL |
| 241978 | 1 | O-RING 64.5X3.0 |
| 242219 | 1 | O-RING D16.3X2.4 VITON |
| 242354 | 1 | O-RING D32.2X3.0 VITON F.S-53 |
| 242566 | 1 | LATCH STRAP F. CHEM.FILL |
| 283889 | 1 | CLIP F.TUBE SUPPORT |
| 320084 | 1 | FITT.DK NUT 1/2" BSP |
| 320283 | 1 | FITT.DK NUT 3/4"BSP |
| 320331 | 1 | FITT.DK TEE 1" - 1" - 3/4" BSP |
| 320655 | 1 | FITT.DK HN 1/2"-1/2" BSP |
| 322103 | 1 | FITT.DK S-53 BULKHEAD |
| 322107 | 1 | FITT.DK S-53 BULKHEAD NUT |
| 322108 | 1 | FITT.DK S-67 BULKHEAD NUT |
| 322110 | 1 | FITT.DK S-53 ELB. 1/2" BSP |
| 322243 | 1 | DRAIN PIPE/CHEM FIL.S67/S56 |
| 330212 | 1 | O-RING D19/D14X2.4 F.1/2"NUT |
| 330326 | 1 | O-RING D30/D24X2 F.1"NUT |
| 330687 | 1 | FITT.DK HB 1/2" F. 1/2" NUT |
| 332076 | 1 | CONE INSERT F. ALUMINUM LANCE |
| 334215 | 1 | RUBBER |
| 334216 | 1 | RUBBER LATCH FOR CHEM.FILL |
| 334260 | 1 | GASKET F. S-53 BULKHEAD |
| 334534 | 1 | CLAMP HOSE PLASTIC 1/2" |
| 371552 | 1 | NOZZLE F.RINSING |
| 390277 | 1 | SCALE PLATE FOR HARDI FILLER |
| 390400 | 1 | FITT.DK BULKHEAD 1/2'X1/2' |
| 410546 | 1 | BOLT HEX SS M6X12 FT |
| 420862 | 1 | BOLT HEX 8.8 DEL M10X16 FT |
| 440634 | 1 | SCREW 5/8" |
| 440667 | 1 | SCREW M3.5X12 SLOT STAINLESS |
| 440675 | 1 | SCREW F. PLASTIC 5X16 SS |
| 451007 | 1 | SCREW M6X20 STAINLESS |
| 460261 | 1 | NUT HEX M6X1 LOCK A2 DIN985 |
| 460423 | 1 | NUT HEX M10X1.5 LOCK |
| 471124 | 1 | WASHER D18/D6.4x1.6 |
| 614728 | 1 | LID FOR CHEM FILLER |
| 614729 | 1 | TANK HARDI FILLER |
| 636150 | 1 | FRAME FOR CHEM FILL TANK |
| 636718 | 1 | RINSE SUPPORT CHEM.FILL 25/35L |
| 636729 | 1 | TUBE F. RINSE CHEM FILL |
| 716236 | 1 | FITT.DK HB 1/2" ASSY. F. 3/4" |
| 727543 | 1 | VALVE F.CHEM FILL JUG RINSE |
| 92702103 | 1 | HOSE R X1/2" X300PSI WP X0012" |



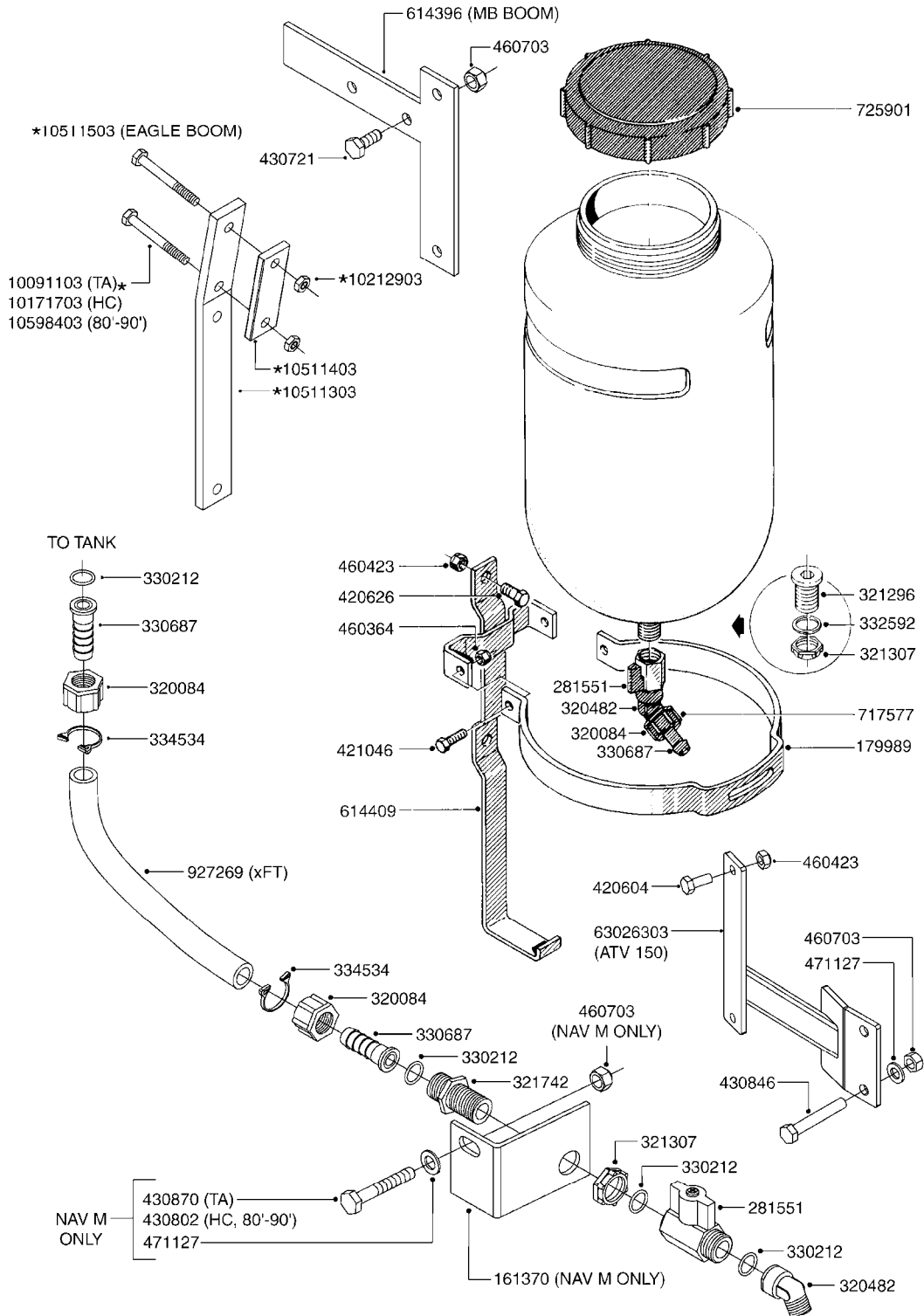
G100



CHEMICAL FILLER-HOPPER (POST95)
G100-HIN, 19:05:11

Page 1
Date 06.04.2015 9:07

| parts-n° | order qty | description |
|----------|-----------|--------------------------------|
| 145970 | 1 | PLUG MF 11 X 1 |
| 145995 | 1 | FITT.DK S-53 FORK |
| 147118 | 1 | BUSHING 10,0/6,2 L=5 CHEM FILL |
| 159182 | 1 | RINSING TUBE CHEM.FILL |
| 165557 | 1 | WASHER D28.0/D12.2X2.0 SS |
| 168287 | 1 | PLATE ANTI-VORTEX F.CHEM FILL |
| 168289 | 1 | BRACKET F. 3-WAY VALVE |
| 240947 | 1 | O-RING D7.3X2.4 NITRIL |
| 241978 | 1 | O-RING 64.5X3.0 |
| 242219 | 1 | O-RING D16.3X2.4 VITON |
| 242354 | 1 | O-RING D32.2X3.0 VITON F.S-53 |
| 283889 | 1 | CLIP F.TUBE SUPPORT |
| 320084 | 1 | FITT.DK NUT 1/2" BSP |
| 320283 | 1 | FITT.DK NUT 3/4"BSP |
| 320331 | 1 | FITT.DK TEE 1" - 1" - 3/4" BSP |
| 320655 | 1 | FITT.DK HN 1/2"-1/2" BSP |
| 322103 | 1 | FITT.DK S-53 BULKHEAD |
| 322107 | 1 | FITT.DK S-53 BULKHEAD NUT |
| 322108 | 1 | FITT.DK S-67 BULKHEAD NUT |
| 322110 | 1 | FITT.DK S-53 ELB. 1/2" BSP |
| 322243 | 1 | DRAIN PIPE/CHEM FIL.S67/S56 |
| 330212 | 1 | O-RING D19/D14X2.4 F.1/2"NUT |
| 330326 | 1 | O-RING D30/D24X2 F.1"NUT |
| 330687 | 1 | FITT.DK HB 1/2" F. 1/2" NUT |
| 332076 | 1 | CONE INSERT F. ALUMINUM LANCE |
| 334216 | 1 | RUBBER LATCH FOR CHEM.FILL |
| 334260 | 1 | GASKET F. S-53 BULKHEAD |
| 334534 | 1 | CLAMP HOSE PLASTIC 1/2" |
| 351655 | 1 | LID CHEM FILL.25L POST 95 |
| 351656 | 1 | HOPPER F.CHEM FILL 25L POST'96 |
| 371552 | 1 | NOZZLE F.RINSING |
| 390277 | 1 | SCALE PLATE FOR HARDI FILLER |
| 390400 | 1 | FITT.DK BULKHEAD 1/2'X1/2' |
| 390669 | 1 | HANDLE F.CHEM FILLER |
| 410362 | 1 | BOLT HEX 8.8 SS M6X20 FT |
| 410546 | 1 | BOLT HEX SS M6X12 FT |
| 420862 | 1 | BOLT HEX 8.8 DEL M10X16 FT |
| 430892 | 1 | BOLT HEX 8.8 DEL M12X110 |
| 440634 | 1 | SCREW 5/8" |
| 440667 | 1 | SCREW M3.5X12 SLOT STAINLESS |
| 440675 | 1 | SCREW F. PLASTIC 5X16 SS |
| 440709 | 1 | SCREW 60X12 CHEM.FILL HANDLE |
| 451007 | 1 | SCREW M6X20 STAINLESS |
| 460261 | 1 | NUT HEX M6X1 LOCK A2 DIN985 |
| 460423 | 1 | NUT HEX M10X1.5 LOCK |
| 460703 | 1 | NUT HEX M12X1.75 LOCK DIN985 |
| 471124 | 1 | WASHER D18/D6.4x1.6 |
| 615601 | 1 | BUNGEE CORD 21-1/4" |
| 636150 | 1 | FRAME FOR CHEM FILL TANK |
| 636718 | 1 | RINSE SUPPORT CHEM.FILL 25/35L |
| 636729 | 1 | TUBE F. RINSE CHEM FILL |
| 637647 | 1 | BRACKET F.CHEMFILL |
| 716236 | 1 | FITT.DK HB 1/2" ASSY. F. 3/4" |
| 727543 | 1 | VALVE F.CHEM FILL JUG RINSE |
| 92702103 | 1 | HOSE R X1/2" X300PSI WP X0012" |



COMPLETE TANK ASSY : 722072

G110

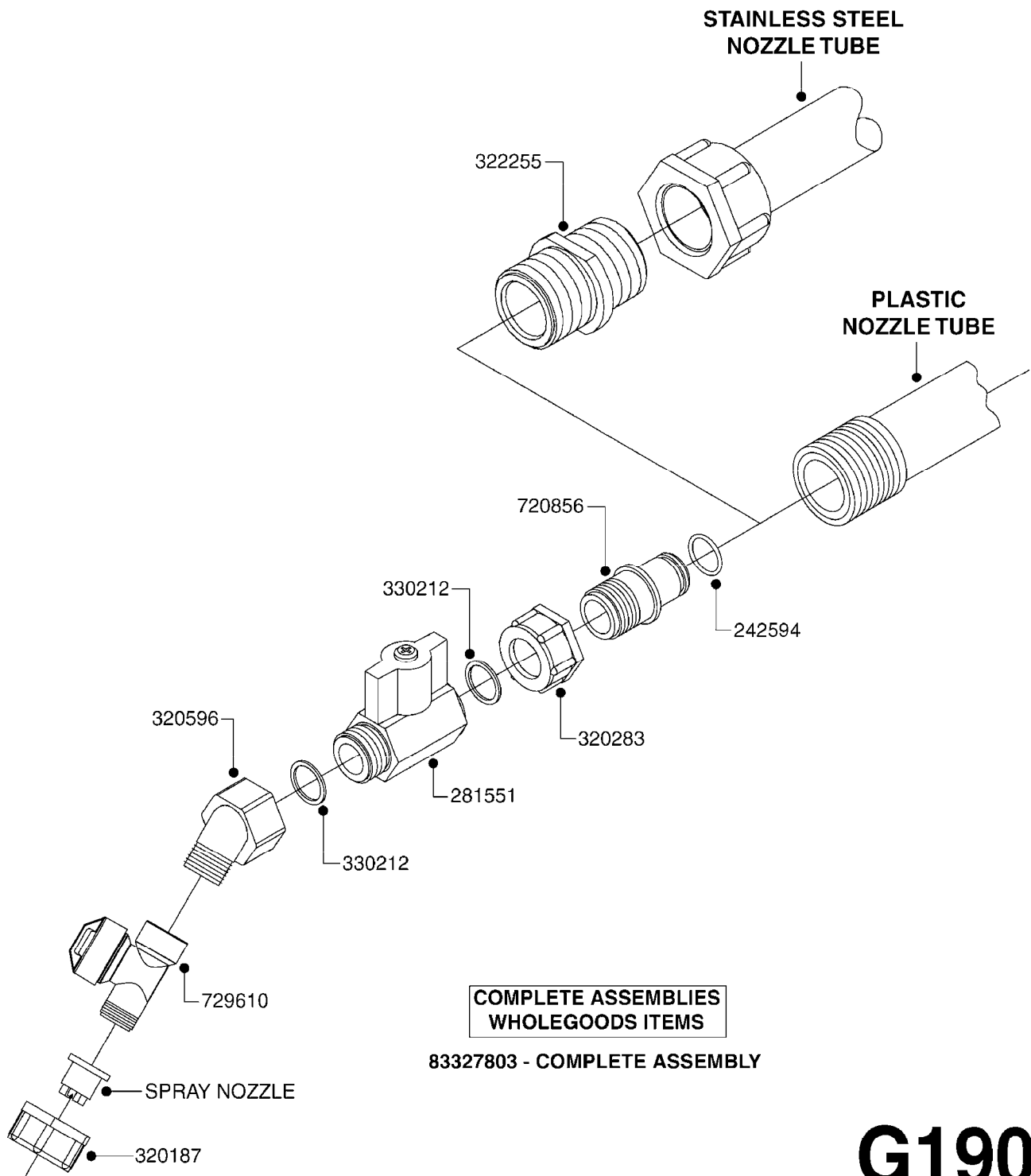


CLEAN WATER TANK
G110-HIN, 26:06:06

Page 1

Date 06.04.2015 9:07

| parts-n° | order qty | description |
|----------|-----------|-------------------------------------|
| 161370 | 1 | BKT.CLEAN WATER BOTT. VALVE |
| 179989 | 1 | BRKT. F. 3 GAL. TANK |
| 281551 | 1 | BALL VALVE 1/2" |
| 320084 | 1 | FITT.DK NUT 1/2" BSP |
| 320482 | 1 | FITT.DK ELB. 1/2" BSP 60 DEG. |
| 321296 | 1 | FITT.DK BULKHEAD 1/2" BSP SING |
| 321307 | 1 | FITT.DK NUT 1/2" BSP JAMB |
| 321742 | 1 | FITT.DK BULKHEAD 1/2' BSP |
| 330212 | 1 | O-RING D19/D14X2.4 F.1/2"NUT |
| 330687 | 1 | FITT.DK HB 1/2" F. 1/2" NUT |
| 332592 | 1 | O-RING D26/D20X3 |
| 334534 | 1 | CLAMP HOSE PLASTIC 1/2" |
| 420604 | 1 | BOLT HEX 8.8 DEL M10X25 FT DIN933 |
| 420626 | 1 | BOLT HEX 8.8 DEL M10X20 FT |
| 421046 | 1 | BOLT HEX 8.8 DEL M8X25 FT A2 DIN933 |
| 430721 | 1 | BOLT HEX 8.8 DEL M12X40 FT |
| 430802 | 1 | BOLT HEX 8.8 DEL M12X75 |
| 430846 | 1 | BOLT HEX 8.8 DEL M12X80 |
| 430870 | 1 | BOLT HEX 8.8 DEL M12X55 FT |
| 460364 | 1 | NUT HEX M8 GALV. |
| 460423 | 1 | NUT HEX M10X1.5 LOCK |
| 460703 | 1 | NUT HEX M12X1.75 LOCK DIN985 |
| 471127 | 1 | WASHER D24/D13X2.5 STAINLESS |
| 614396 | 1 | CLEAN WATER BRACKET MB |
| 614409 | 1 | BRACKET FOR FOAM MARKER |
| 717577 | 1 | VALVE F.CLEAN WATER TANK |
| 722072 | 1 | CLEAN WATER TANK W FRAME & TAP |
| 725901 | 1 | LID F.WATER BOTTLE VENTED |
| 927269 | 1 | HOSE R X PVC X 1/2 X 0012" |
| 10091103 | 1 | BOLT HEX 3/8 NC GR.2 03.00' |
| 10171703 | 1 | BOLT HEX 3/8 NC GR.2 03.50" |
| 10212903 | 1 | NUT HEX NC (NYLON LOCK) 3/8" |
| 10511303 | 1 | FLATBAR L350/17DEG.CLEAN WATER |
| 10511403 | 1 | FLATBAR 104MM CLEAN WATER |
| 10511503 | 1 | BKT.CLEAN WATER MOUNT EAGLE |
| 10598403 | 1 | BOLT HEX HCS3/8-16 X 4 Z 5 |
| 63026303 | 1 | CLEAN WATER TANK BRKT, ATV |



G190

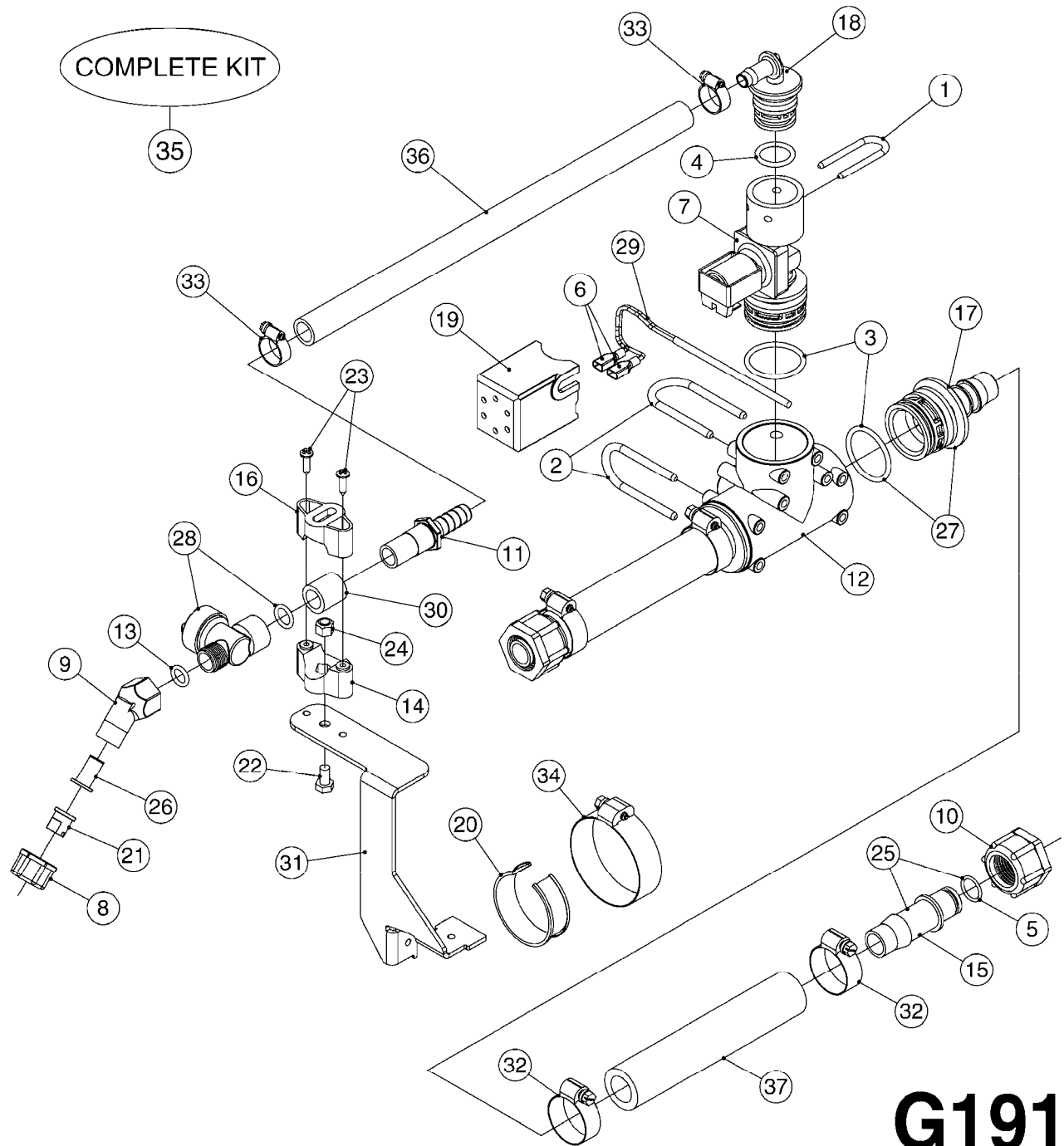


END NOZZLE KIT
G190-HIN, 28:11:06

Page 1

Date 06.04.2015 9:07

| parts-n° | order qty | description |
|----------|-----------|--------------------------------|
| 242594 | 1 | O-RING D14 X 1.78 SCH.70-EPDM |
| 281551 | 1 | BALL VALVE 1/2" |
| 320187 | 1 | FITT.DK CAP 3/8" BSP BLACK |
| 320283 | 1 | FITT.DK NUT 3/4"BSP |
| 320596 | 1 | FITT.DK ELB 3/8'-1/2'BSP 45DEG |
| 322255 | 1 | FITT.DK NIPPLE 3/4"X 3/4" |
| 330212 | 1 | O-RING D19/D14X2.4 F.1/2"NUT |
| 720856 | 1 | FITT.DK 1/2'BSP ASSY.F.3/4'NUT |
| 729610 | 1 | NOZZLE ASSY. NON DRIP 3/8 THRD |
| 83327803 | 1 | END NOZZLE KIT "04" |





ELECTRIC END NOZZLE KIT '09
G191-HIN, 09:05:13

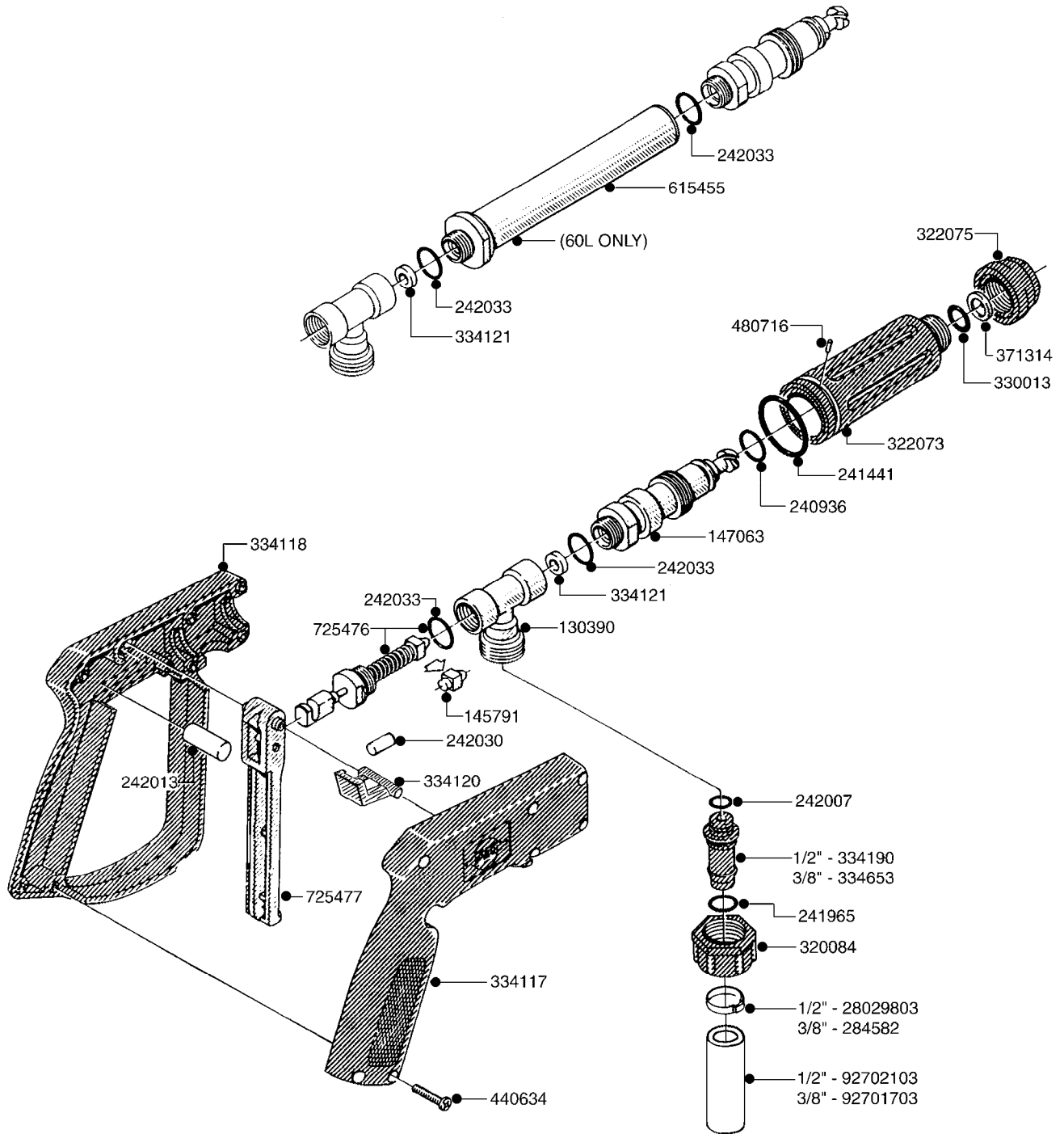
Page 1
Date 06.04.2015 9:07

| Pos. | parts-n° | order qty | description |
|------|----------|-----------|--------------------------------|
| 1 | 145994 | 1 | FITT.DK S-40 FORK |
| 2 | 145995 | 1 | FITT.DK S-53 FORK |
| 3 | 242354 | 1 | O-RING D32.2X3.0 VITON F.S-53 |
| 4 | 242355 | 1 | O-RING D19.2X3.0 VITON F.S-40 |
| 5 | 242594 | 1 | O-RING D14 X 1.78 SCH.70-EPDM |
| 6 | 261539 | 1 | SPADE F.ELEC CONNEX BLUE INSUL |
| 7 | 262104 | 1 | VALVE, SOLENOID, S53/S40 |
| 8 | 320187 | 1 | FITT.DK CAP 3/8" BSP BLACK |
| 9 | 320191 | 1 | FITT.DK ELB 3/8' BSP 45 DEGREE |
| 10 | 320283 | 1 | FITT.DK NUT 3/4"BSP |
| 11 | 320891 | 1 | FITT.DK HB 3/8'- 3/8' BSP |
| 12 | 322352 | 1 | FITT.DK S-53 TEE |
| 13 | 330013 | 1 | O-RING D15/D10X2.5 F.3/8"NUT |
| 14 | 333012 | 1 | NOZZLE HOLD. UPPER PART |
| 15 | 334044 | 1 | FITT.DK HB 3/4' F. 3/4' CAP |
| 16 | 334220 | 1 | YOKE, UPPER NOZZLE BODY |
| 17 | 334229 | 1 | FITT.DK S-53 STR.3/4" |
| 18 | 334237 | 1 | FITT.DK S-40 ELB.3/8' |
| 19 | 334965 | 1 | COVER FOR S53 SOLENOID VALVE |
| 20 | 341291 | 1 | RUBBER HOSE CLAMP COVER 130MM |
| 21 | 370392 | 1 | NOZZLE END FAN 1850-G 300 |
| 22 | 410546 | 1 | BOLT HEX SS M6X12 FT |
| 23 | 440665 | 1 | SCREW M4.2X16 STAINLESS |
| 24 | 460261 | 1 | NUT HEX M6X1 LOCK A2 DIN985 |
| 25 | 724621 | 1 | FITT.DK HB 3/4"ASSY F.3/4" NUT |
| 26 | 725042 | 1 | SCREEN 80 MESH W.GASKET, RED |
| 27 | 726558 | 1 | FITT.DK S53 STR. 3/4" W. ORING |
| 28 | 729610 | 1 | NOZZLE ASSY. NON DRIP 3/8 THRD |
| 29 | 983087 | 1 | ELEC. CABLE 2 WIRE X 0.75MM |
| 30 | 10631003 | 1 | HOSE R X CLEAR BRAID.X 1/2 12" |
| 31 | 16110803 | 1 | NOZZLE BRACKET VAR SPACINGS |
| 32 | 28029903 | 1 | CLAMP HOSE GEAR P3/4"-S1" 6712 |
| 33 | 28044903 | 1 | CLAMP HOSE GEAR P3/8" 6706 |
| 34 | 28047003 | 1 | CLAMP HOSE GEAR 30 X 50 6732 |
| 35 | 82613203 | 1 | ELECTRIC END NOZZLE KIT 2009 |
| 36 | 92701703 | 1 | HOSE R X3/8" X300PSI WP X0012" |
| 37 | 92703203 | 1 | HOSE R X3/4" X300PSI WP X0012" |



HANDGUN TYPE 60S/60L PRE 95
G440-HIN, 19:05:11

Page 0
Date 06.04.2015 9:07



COMPLETE ASSEMBLY:
843197 - 60L
843196 - 60S

COMPLETE ASSEMBLIES
WHOLEGOODS ITEMS

G440

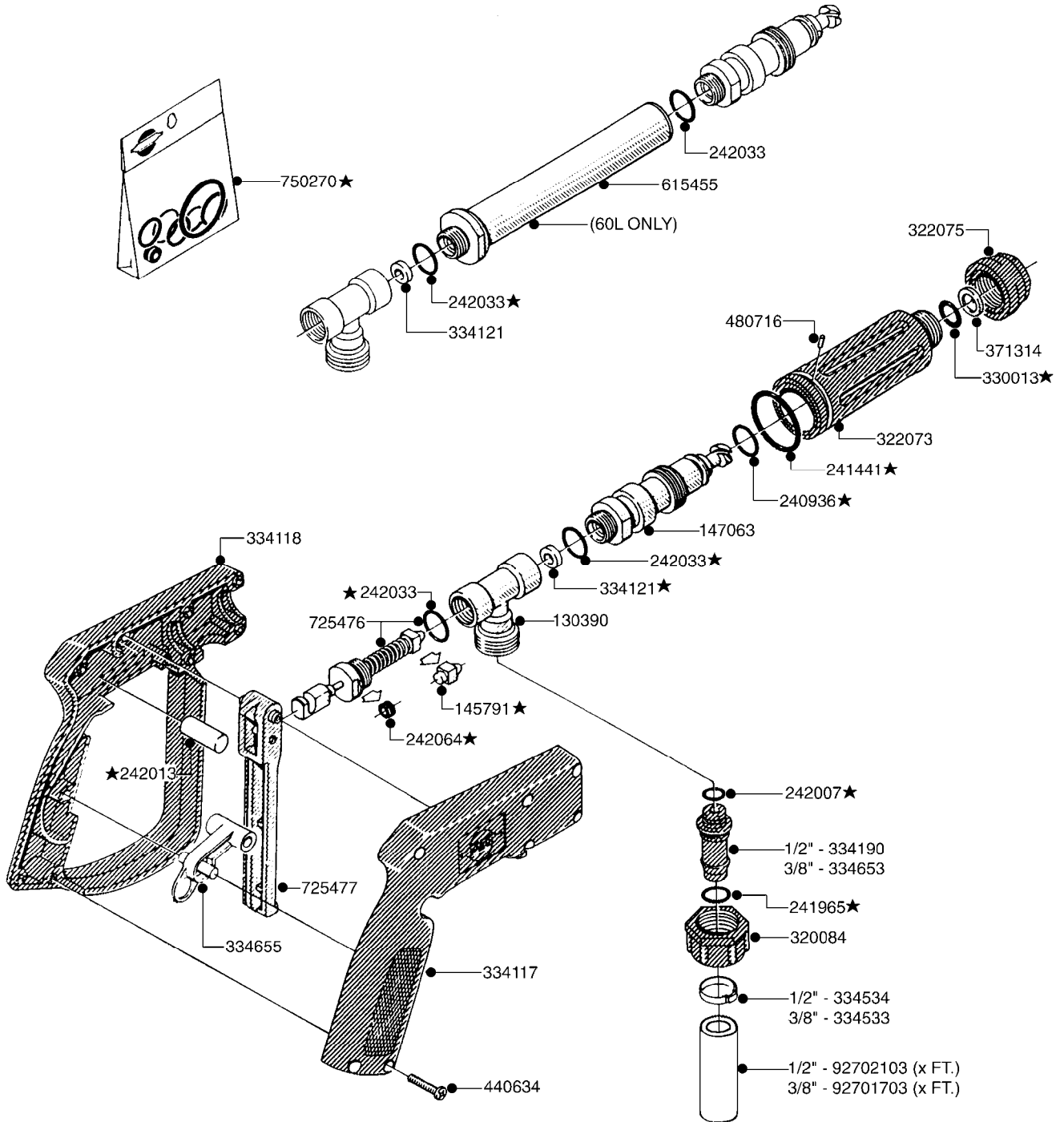


HANDGUN TYPE 60S/60L PRE 95
G440-HIN, 19:05:11

Page 1

Date 06.04.2015 9:07

| parts-n° | order qty | description |
|----------|-----------|--------------------------------|
| 130390 | 1 | TEE 3/8'X 1/2' BSP F.TYPE 60S |
| 145791 | 1 | CONE FOR ON/OFF |
| 147063 | 1 | SWIRL F.SPRAY GUN TYPE 60 |
| 240936 | 1 | O-RING D13.3X2.4 NITRIL |
| 241441 | 1 | O-RING D29.3X3 |
| 241965 | 1 | O-RING 12.1 X 1.6 |
| 242007 | 1 | O-RING D9.1X1.6 |
| 242013 | 1 | SPRING RUBBER F/TRIGGER |
| 242030 | 1 | SPRING RUBBER |
| 242033 | 1 | O-RING |
| 284582 | 1 | CLAMP HOSE GEAR - 5/16" |
| 320084 | 1 | FITT.DK NUT 1/2" BSP |
| 322073 | 1 | HOUSING F.SWIRL TYPE 60S H.G. |
| 322075 | 1 | HOUSING F. NOZZLE |
| 330013 | 1 | O-RING D15/D10X2.5 F.3/8"NUT |
| 334117 | 1 | HANDLE PIECE RIGHT F.60S/60L |
| 334118 | 1 | HANDLE PIECE LEFT F.60S/60L |
| 334120 | 1 | LOCK FOR TRIGGER |
| 334121 | 1 | SEAT FOR ON-OFF TYPE |
| 334190 | 1 | FITT.DK HB 1/2' F. PISTOL 60S |
| 334653 | 1 | FITT.DK HB 3/8' F.HANDGUN |
| 371314 | 1 | NOZZLE CERAMIC 1099-20 |
| 440634 | 1 | SCREW 5/8" |
| 480716 | 1 | PIN D3X6 STAINLESS |
| 615455 | 1 | TUBE F.LANCE TYPE 60L |
| 725476 | 1 | SPINDLE |
| 725477 | 1 | TRIGGER |
| 843196 | 1 | GUN, MODEL 60S |
| 843197 | 1 | HANDGUN KIT TYPE 60 LONG |
| 28029803 | 1 | CLAMP HOSE GEAR P1/2" 6708 |
| 92701703 | 1 | HOSE R X3/8" X300PSI WP X0012" |
| 92702103 | 1 | HOSE R X1/2" X300PSI WP X0012" |



COMPLETE ASSEMBLY:
843197 - 60L
843196 - 60S

COMPLETE ASSEMBLIES
WHOLEGOODS ITEMS

G450

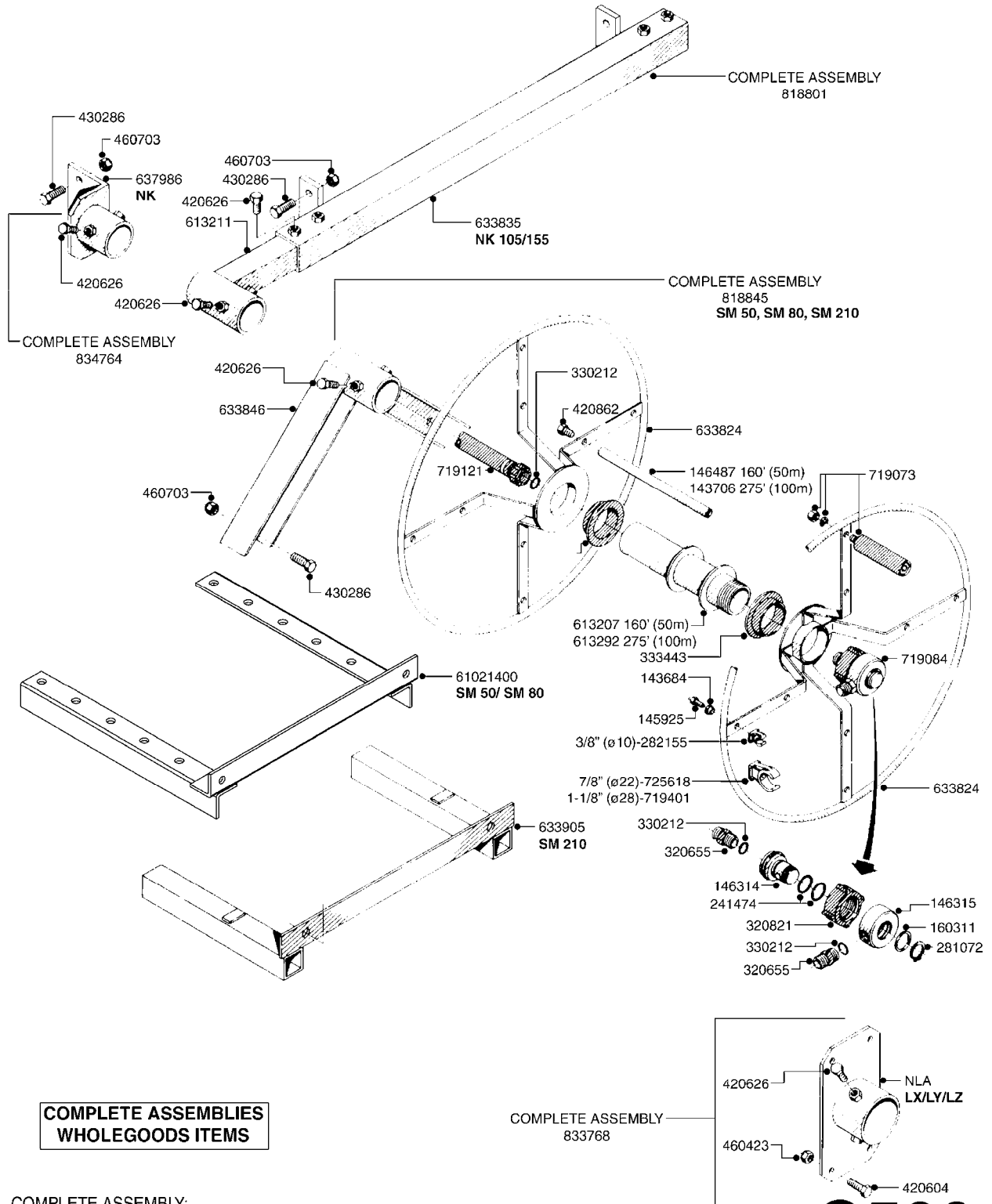


HANDGUN TYPE 60S/60L POST 95
G450-HIN, 19:05:11

Page 1

Date 06.04.2015 9:07

| parts-n° | order qty | description |
|----------|-----------|--------------------------------|
| 130390 | 1 | TEE 3/8'X 1/2' BSP F.TYPE 60S |
| 145791 | 1 | CONE FOR ON/OFF |
| 147063 | 1 | SWIRL F.SPRAY GUN TYPE 60 |
| 240936 | 1 | O-RING D13.3X2.4 NITRIL |
| 241441 | 1 | O-RING D29.3X3 |
| 241965 | 1 | O-RING 12.1 X 1.6 |
| 242007 | 1 | O-RING D9.1X1.6 |
| 242013 | 1 | SPRING RUBBER F/TRIGGER |
| 242033 | 1 | O-RING |
| 242064 | 1 | SLEEVE RUBBER 3X8X4MM |
| 320084 | 1 | FITT.DK NUT 1/2" BSP |
| 322073 | 1 | HOUSING F.SWIRL TYPE 60S H.G. |
| 322075 | 1 | HOUSING F. NOZZLE |
| 330013 | 1 | O-RING D15/D10X2.5 F.3/8"NUT |
| 334117 | 1 | HANDLE PIECE RIGHT F.60S/60L |
| 334118 | 1 | HANDLE PIECE LEFT F.60S/60L |
| 334121 | 1 | SEAT FOR ON-OFF TYPE |
| 334190 | 1 | FITT.DK HB 1/2' F. PISTOL 60S |
| 334533 | 1 | CLAMP HOSE PLASTIC 3/8" |
| 334534 | 1 | CLAMP HOSE PLASTIC 1/2" |
| 334653 | 1 | FITT.DK HB 3/8' F.HANDGUN |
| 334655 | 1 | TRIGGER SAFETY F.60S/60L GUN |
| 371314 | 1 | NOZZLE CERAMIC 1099-20 |
| 440634 | 1 | SCREW 5/8" |
| 480716 | 1 | PIN D3X6 STAINLESS |
| 615455 | 1 | TUBE F.LANCE TYPE 60L |
| 725476 | 1 | SPINDLE |
| 725477 | 1 | TRIGGER |
| 750270 | 1 | GASKET KIT F.SPRAY GUN |
| 843196 | 1 | GUN, MODEL 60S |
| 843197 | 1 | HANDGUN KIT TYPE 60 LONG |
| 92701703 | 1 | HOSE R X3/8" X300PSI WP X0012" |
| 92702103 | 1 | HOSE R X1/2" X300PSI WP X0012" |



G500

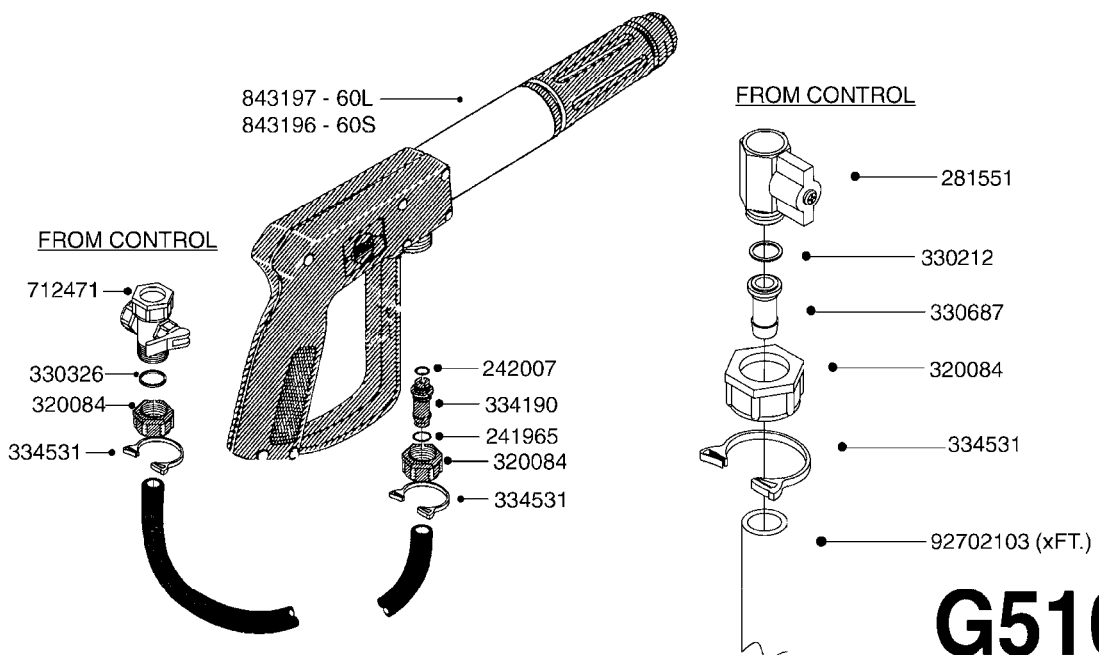
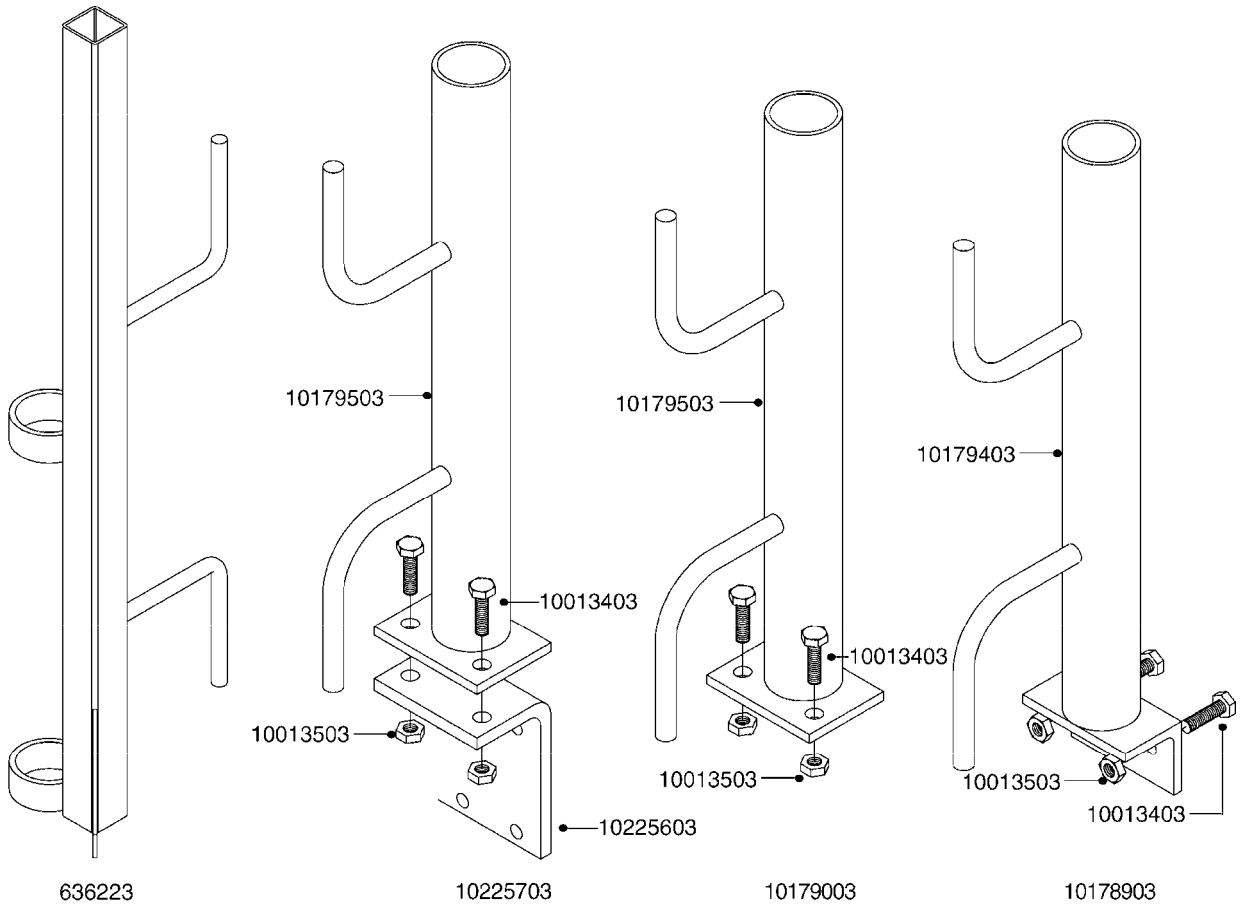


HOSE REEL ASSEMBLIES
G500-HIN, 09:04:13

Page 1

Date 06.04.2015 9:07

| parts-n° | order qty | description |
|----------|-----------|-----------------------------------|
| 143684 | 1 | BUSHING F. HOSE REEL |
| 143706 | 1 | SPACER TUBE F. 275' HOSE REEL |
| 145925 | 1 | NIPPLE M10 M6 |
| 146314 | 1 | UNION BUSHING F.HOSE REEL |
| 146315 | 1 | RING FOR HOSE REEL |
| 146487 | 1 | SPACER ROD F/HOSE REEL 225mm |
| 160311 | 1 | WASHER D30/D20.4X2 |
| 241474 | 1 | O-RING NITRIL |
| 281072 | 1 | SNAP-RING OUTER 20X1.20 |
| 282155 | 1 | CLIP F.TUBE SUPPORT |
| 320655 | 1 | FITT.DK HN 1/2"-1/2" BSP |
| 320821 | 1 | FITT.DK NUT 1-1/2" BSP |
| 330212 | 1 | O-RING D19/D14X2.4 F.1/2"NUT |
| 333443 | 1 | BUSHING F. HOSE REEL |
| 420604 | 1 | BOLT HEX 8.8 DEL M10X25 FT DIN933 |
| 420626 | 1 | BOLT HEX 8.8 DEL M10X20 FT |
| 420862 | 1 | BOLT HEX 8.8 DEL M10X16 FT |
| 430286 | 1 | BOLT HEX 8.8 DEL M12X30 FT |
| 460423 | 1 | NUT HEX M10X1.5 LOCK |
| 460703 | 1 | NUT HEX M12X1.75 LOCK DIN985 |
| 613207 | 1 | CENTER TUBE FOR 164'HOSE REEL |
| 613211 | 1 | HOSE REEL NK 80/105 |
| 613292 | 1 | CENTER TUBE 100 MM |
| 633824 | 1 | SIDE FOR HOSE REEL |
| 633835 | 1 | OUTER TUBE NK 300-600 |
| 633846 | 1 | FITTING FOR HOSE REEL TR2/TR3 |
| 633905 | 1 | BRKTS. HOSE REEL SM210 |
| 637986 | 1 | CLAMP FITTING HOSE REEL |
| 719073 | 1 | HANDLE ASSY. F. HOSE REEL |
| 719084 | 1 | SWIVEL F.HOSE REEL |
| 719121 | 1 | HOSE 1/2'X2500M NUT |
| 719401 | 1 | CLIPS F.PISTOL ASSY. |
| 725618 | 1 | CLIP WHITE PLASTIC SNAP TYPE |
| 818377 | 1 | REEL FOR HOSE 160' X 3/8" |
| 818381 | 1 | REEL FOR HOSE 320' X 3/8' |
| 818801 | 1 | BKT.HOSE REEL MOUNT NL/NK/BOOM |
| 818845 | 1 | BKT.HOSE REEL SM210 |
| 833768 | 1 | HOLDER F. HOSE REEL |
| 834764 | 1 | BKT.HOSE REEL MOUNT ESTATE SPR |
| 61021400 | 1 | BKT. BOOM MOUNT SM53/80 US |



G510



HOSE WRAPS
G510-HIN, 19:05:11

Page 1
Date 06.04.2015 9:07

| parts-n° | order qty | description |
|----------|-----------|--------------------------------|
| 241965 | 1 | O-RING 12.1 X 1.6 |
| 242007 | 1 | O-RING D9.1X1.6 |
| 281551 | 1 | BALL VALVE 1/2" |
| 320084 | 1 | FITT.DK NUT 1/2" BSP |
| 330212 | 1 | O-RING D19/D14X2.4 F.1/2"NUT |
| 330326 | 1 | O-RING D30/D24X2 F.1"NUT |
| 330687 | 1 | FITT.DK HB 1/2" F. 1/2" NUT |
| 334190 | 1 | FITT.DK HB 1/2' F. PISTOL 60S |
| 334531 | 1 | CLAMP HOSE PLASTIC 3/4" |
| 636223 | 1 | POST 12 VOLT TR30 |
| 712471 | 1 | AGITATION VALVE ASSY. ON/OFF |
| 843196 | 1 | GUN, MODEL 60S |
| 843197 | 1 | HANDGUN KIT TYPE 60 LONG |
| 10013403 | 1 | BOLT HEX 3/8-16X1 1/4 HCS Z5 |
| 10013503 | 1 | NUT HEX NC 3/8" |
| 10178903 | 1 | WRAP HOSE SIDE MOUNT PLATE |
| 10179003 | 1 | WRAP HOSE BOTTOM PLATE MOUNT |
| 10179403 | 1 | WRAP WELDMENT FOR HI101789 |
| 10179503 | 1 | WRAP WELDMENT FOR HI101790 |
| 10225603 | 1 | BKT.FOR HOSE WRAP MOUNT NL NK |
| 10225703 | 1 | WRAP HOSE BDL.BOTTOM PLATE |
| 92702103 | 1 | HOSE R X1/2" X300PSI WP X0012" |



COMPLETE KIT NO
LONGER AVAILABLE.
FOR '09 KIT
SEE PAGE

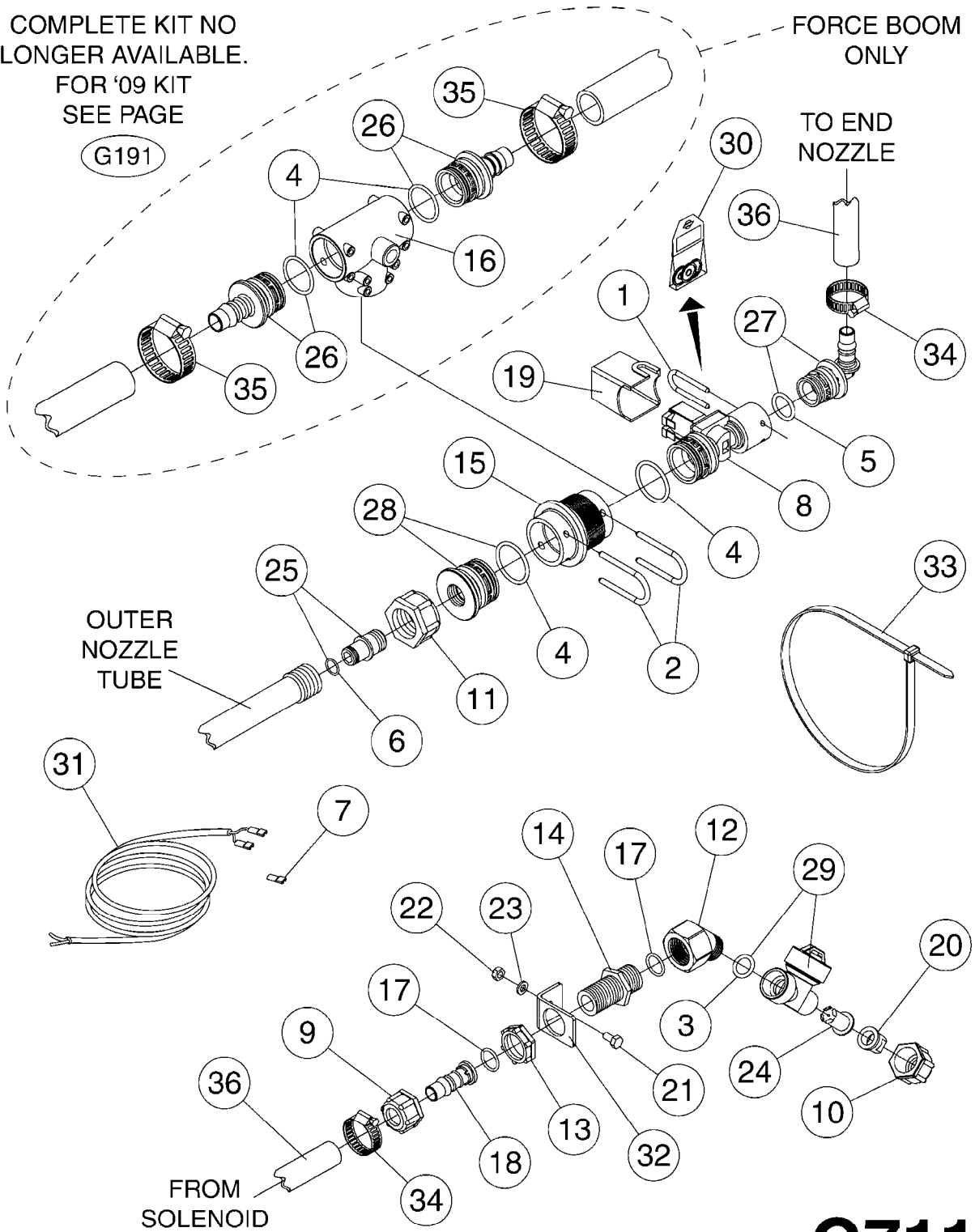
G191

FORCE BOOM
ONLY

TO END
NOZZLE

OUTER
NOZZLE
TUBE

FROM
SOLENOID
ASSEMBLY



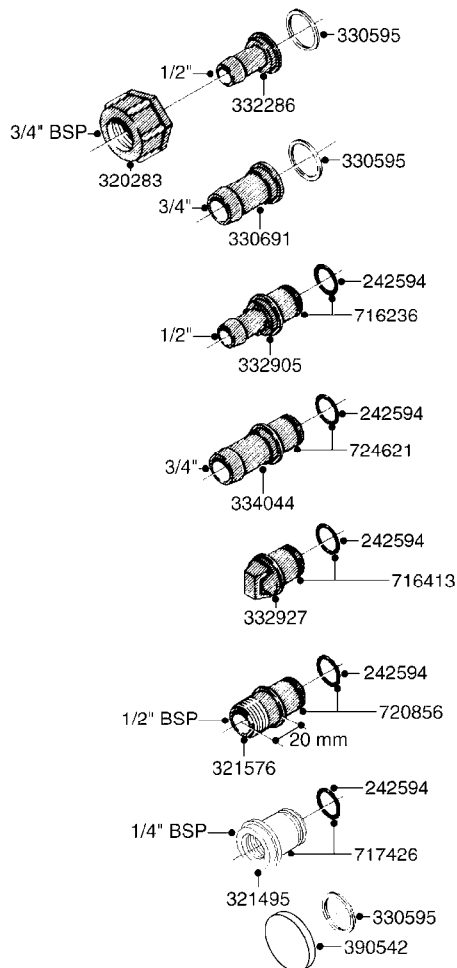
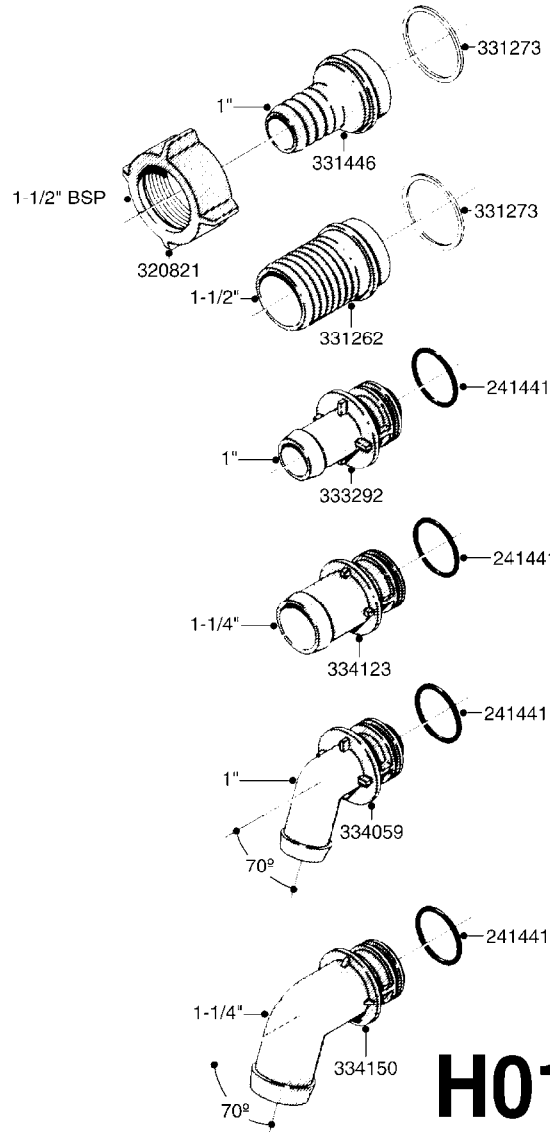
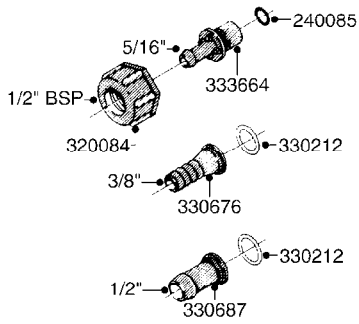
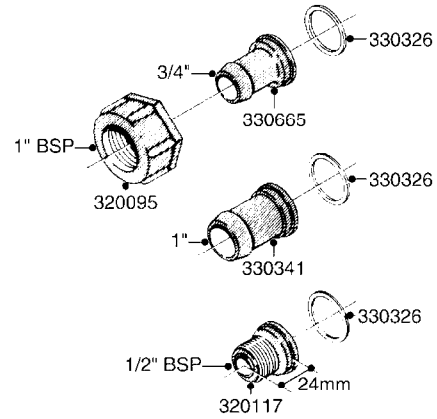
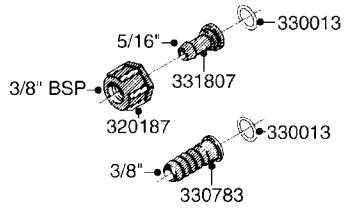
G711



ELECTRIC END NOZZLE KIT
G711-HIN, 09:05:13

Page 1
Date 06.04.2015 9:07

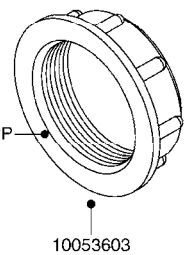
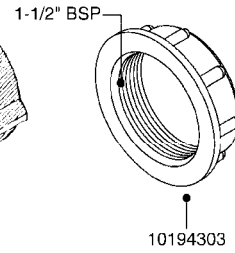
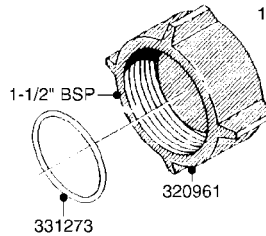
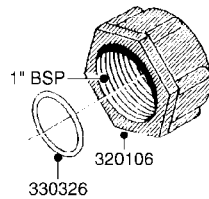
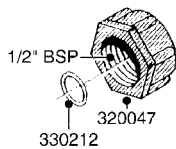
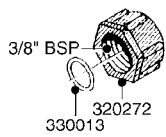
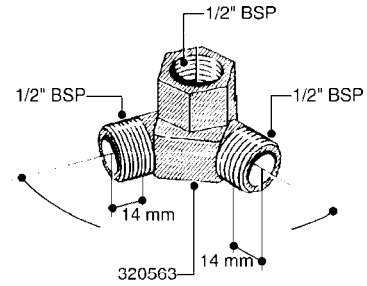
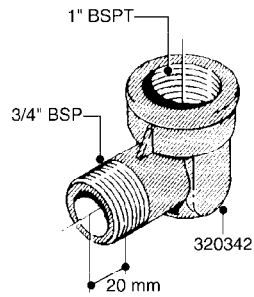
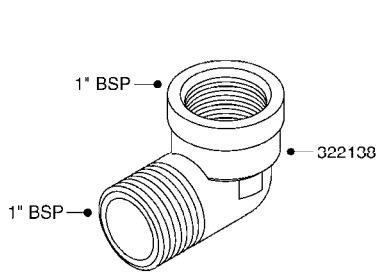
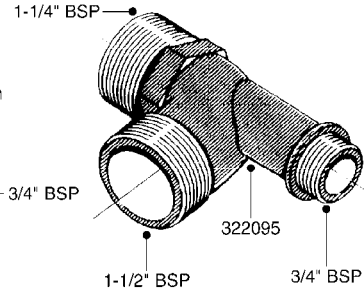
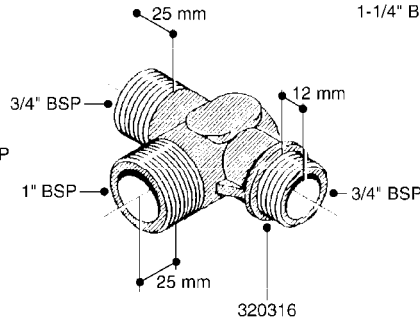
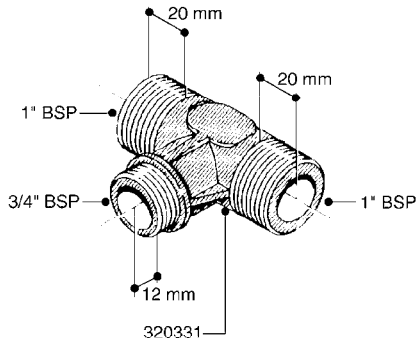
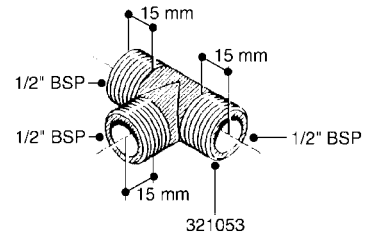
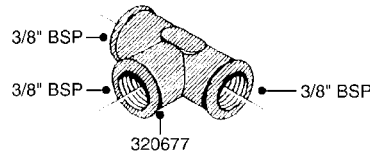
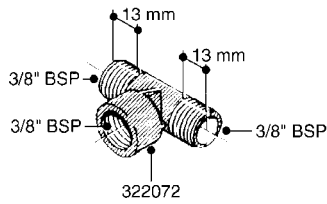
| Pos. | parts-n° | order qty | description |
|------|----------|-----------|--------------------------------|
| 1 | 145994 | 1 | FITT.DK S-40 FORK |
| 2 | 145995 | 1 | FITT.DK S-53 FORK |
| 3 | 240177 | 1 | O-RING D16.1/11.3 X 2.4 |
| 4 | 242354 | 1 | O-RING D32.2X3.0 VITON F.S-53 |
| 5 | 242355 | 1 | O-RING D19.2X3.0 VITON F.S-40 |
| 6 | 242594 | 1 | O-RING D14 X 1.78 SCH.70-EPDM |
| 7 | 261539 | 1 | SPADE F.ELEC CONNec BLUE INSUL |
| 8 | 262104 | 1 | VALVE, SOLENOID, S53/S40 |
| 9 | 320084 | 1 | FITT.DK NUT 1/2" BSP |
| 10 | 320187 | 1 | FITT.DK CAP 3/8" BSP BLACK |
| 11 | 320283 | 1 | FITT.DK NUT 3/4"BSP |
| 12 | 320596 | 1 | FITT.DK ELB 3/8'-1/2'BSP 45DEG |
| 13 | 321307 | 1 | FITT.DK NUT 1/2" BSP JAMB |
| 14 | 321742 | 1 | FITT.DK BULKHEAD 1/2' BSP |
| 15 | 322103 | 1 | FITT.DK S-53 BULKHEAD |
| 16 | 322352 | 1 | FITT.DK S-53 TEE |
| 17 | 330212 | 1 | O-RING D19/D14X2.4 F.1/2"NUT |
| 18 | 330687 | 1 | FITT.DK HB 1/2" F. 1/2" NUT |
| 19 | 334965 | 1 | COVER FOR S53 SOLENOID VALVE |
| 20 | 370366 | 1 | NOZZLE END FAN 1850-G 150 |
| 21 | 410185 | 1 | BOLT HEX 8.8 DEL M6X16 A2 |
| 22 | 460261 | 1 | NUT HEX M6X1 LOCK A2 DIN985 |
| 23 | 471125 | 1 | WASHER M6U D12/D6.4x1.6 SS A2 |
| 24 | 614366 | 1 | FILTER 50 MESH F.NOZZLE BLUE |
| 24 | 614367 | 1 | FILTER 80 MESH F.NOZZLE RED |
| 24 | 614368 | 1 | FILTER 100 MESH F.NOZZLE YEL. |
| 25 | 720856 | 1 | FITT.DK 1/2'BSP ASSY.F.3/4'NUT |
| 26 | 726558 | 1 | FITT.DK S53 STR. 3/4" W.ORING |
| 27 | 726567 | 1 | FITT.DK S-40 ELB.1/2" W.ORING |
| 28 | 726694 | 1 | PLUG,S53,1/2"FBSP THD W.ORING |
| 29 | 729610 | 1 | NOZZLE ASSY. NON DRIP 3/8 THRD |
| 30 | 750722 | 1 | REPAIR KIT FOR 3S SC CONTROL |
| 31 | 983087 | 1 | ELEC. CABLE 2 WIRE X 0.75MM |
| 32 | 16180100 | 1 | PLATE, END ROW NOZZLE |
| 33 | 28025203 | 1 | TIE STRAP L=23" x W=1/2" |
| 34 | 28029803 | 1 | CLAMP HOSE GEAR P1/2" 6708 |
| 35 | 28029903 | 1 | CLAMP HOSE GEAR P3/4"-S1" 6712 |
| 36 | 92702103 | 1 | HOSE R X1/2" X300PSI WP X0012" |



H010



| parts-n° | order qty | description |
|----------|-----------|---------------------------------|
| 240085 | 1 | O-RING D13,1/8,3X02,4 NITRIL |
| 241441 | 1 | O-RING D29.3X3 |
| 242594 | 1 | O-RING D14 X 1.78 SCH.70-EPDM |
| 320084 | 1 | FITT.DK NUT 1/2" BSP |
| 320095 | 1 | FITT.DK NUT 1" BSP |
| 320117 | 1 | FITT.DK CONN.1/2"BSP F. 1" CAP |
| 320187 | 1 | FITT.DK CAP 3/8" BSP BLACK |
| 320283 | 1 | FITT.DK NUT 3/4"BSP |
| 320821 | 1 | FITT.DK NUT 1-1/2" BSP |
| 321495 | 1 | FITT.DK REDUC 1/4'BSP F.3/4'NT |
| 321576 | 1 | FITT.DK CONN 1/2"BSP F.3/4"NUT |
| 330013 | 1 | O-RING D15/D10X2.5 F.3/8"NUT |
| 330212 | 1 | O-RING D19/D14X2.4 F.1/2"NUT |
| 330326 | 1 | O-RING D30/D24X2 F.1"NUT |
| 330341 | 1 | FITT.DK HB 1" F. 1" NUT |
| 330595 | 1 | O-RING D24.6/D20X2.1 -3/4" |
| 330665 | 1 | FITT.DK HB 3/4"F.1" NUT |
| 330676 | 1 | FITT.DK HB 3/8" F. 1/2" NUT |
| 330687 | 1 | FITT.DK HB 1/2" F. 1/2" NUT |
| 330691 | 1 | FITT.DK HB 3/4'F.3/4' NUT |
| 330783 | 1 | FITT.DK HB 3/8"F.3/8" NUT |
| 331262 | 1 | FITT.DK HB 1-1/2" F. 1-1/2"NUT |
| 331273 | 1 | O-RING D44/D38X2 F.1-1/2" |
| 331446 | 1 | FITT.DK HB 1" F.1-1/2" NUT |
| 331807 | 1 | FITT.DK HB 5/16" F.3/8" NUT |
| 332286 | 1 | FITT.DK HB 1/2" F. 3/4" NUT |
| 332905 | 1 | FITT.DK HB 1/2" F. 3/4" CAP |
| 332927 | 1 | PLUG F. NOZZLE TUBE 3/4' |
| 333292 | 1 | FITT.DK HB 1"O-RING F.1-1/2" |
| 333664 | 1 | FITT.DK HB 5/16' F. 1/2' NUT |
| 334044 | 1 | FITT.DK HB 3/4' F. 3/4' CAP |
| 334059 | 1 | FITT.DK EL 1" 110 DEG.F.1-1/2" |
| 334123 | 1 | FITT.DK HB 1-1/4"O-RNG F.1-1/2" |
| 334150 | 1 | FITT.DK HB 1-1/4" 110 F.1-1/2" |
| 390542 | 1 | PLUG WASHER FOR 3/4'CAP NUT |
| 716236 | 1 | FITT.DK HB 1/2" ASSY. F. 3/4" |
| 716413 | 1 | FITT.DK PLUG ASSY. F.NOZ TUBE |
| 717426 | 1 | FITT.DK REDUC 1/4"BSP F.3/4"N |
| 720856 | 1 | FITT.DK 1/2'BSP ASSY.F.3/4'NUT |
| 724621 | 1 | FITT.DK HB 3/4"ASSY F.3/4" NUT |



H020

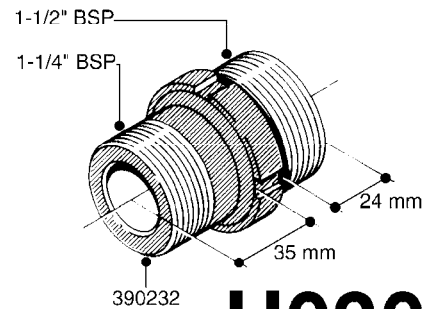
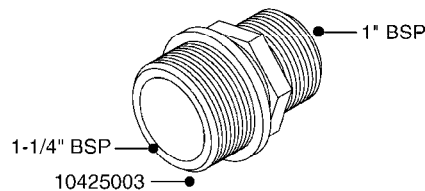
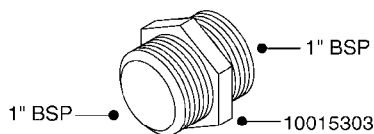
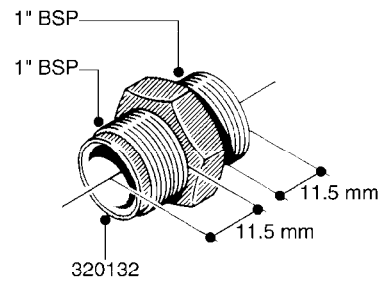
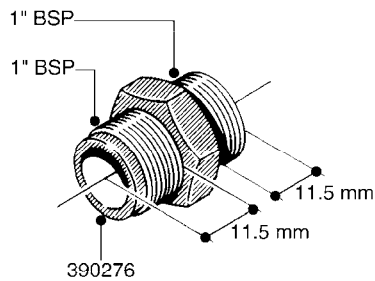
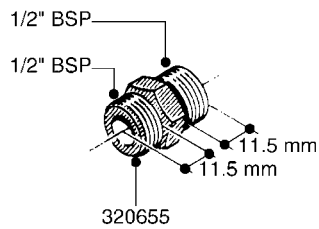
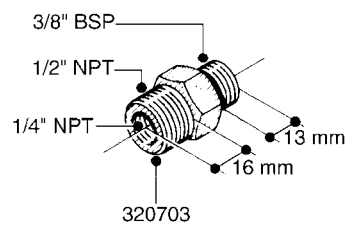
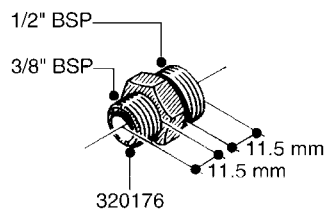
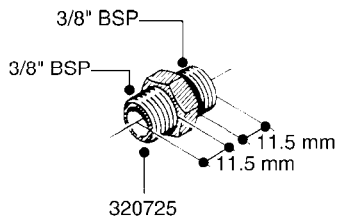
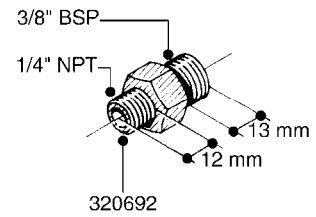
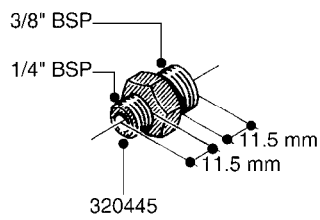
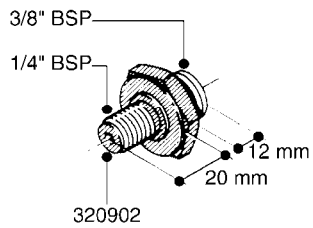


FITTINGS-T-PIECES, CAPS & ELBOWS
H020-HIN, 01:01:01

Page 1

Date 06.04.2015 9:07

| parts-n° | order qty | description |
|----------|-----------|------------------------------------|
| 10053603 | 1 | FITT. CAPNUT 2"BSP 5601 |
| 10194303 | 1 | CAP BLANK 1 1/2 MCPHEE 210060 |
| 320047 | 1 | FITT.DK CAPNUT 1/2" BSP |
| 320106 | 1 | FITT.DK CAPNUT 1" BSP |
| 320272 | 1 | FITT.DK CAPNUT 3/8" BSP |
| 320316 | 1 | FITT.DK TEE 3/4" X3/4" X1"BSP |
| 320331 | 1 | FITT.DK TEE 1" - 1" - 3/4" BSP |
| 320342 | 1 | FITT.DK EL 3/4"M X 1"F BSP |
| 320563 | 1 | FITT.DK 3 WAY 1/2" 110 DEG. |
| 320677 | 1 | NO LONGER AVAILABLE |
| 320961 | 1 | FITT.DK CAPNUT 1-1/2" BSP |
| 321053 | 1 | FITT.DK TEE 1/2 X1/2 X1/2" BSP |
| 322072 | 1 | FITT.DK TEE 3/8'X3/8'X3/8' BSP |
| 322095 | 1 | FITT.DK TEE 1-1/2 X1-1/4 X3/4" BSP |
| 322138 | 1 | FITT.DK ELB 1"M X 1"F BSP |
| 330013 | 1 | O-RING D15/D10X2.5 F.3/8"NUT |
| 330212 | 1 | O-RING D19/D14X2.4 F.1/2"NUT |
| 330326 | 1 | O-RING D30/D24X2 F.1"NUT |
| 331273 | 1 | O-RING D44/D38X2 F.1-1/2" |



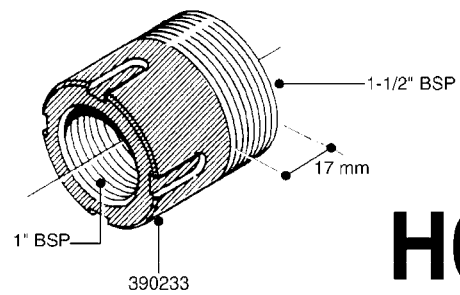
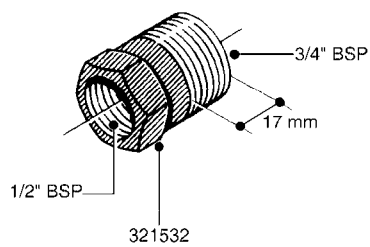
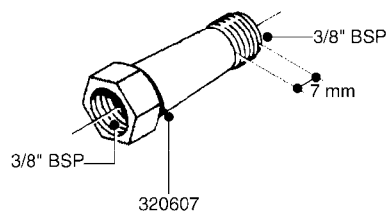
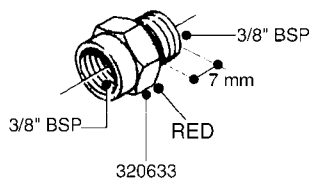
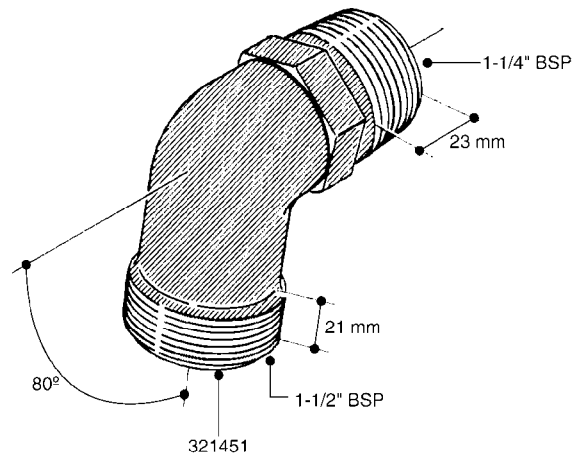
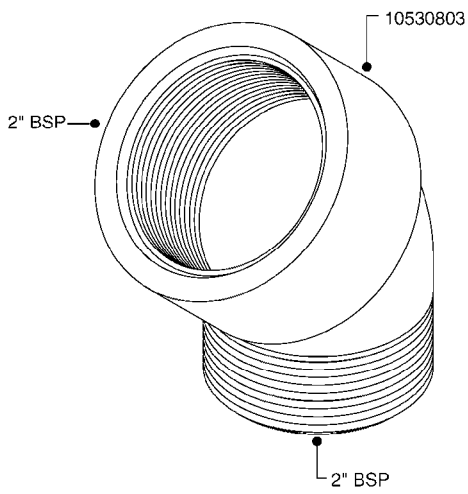
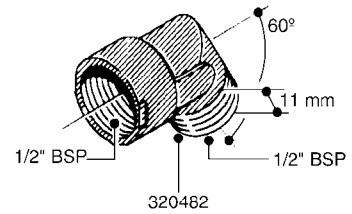
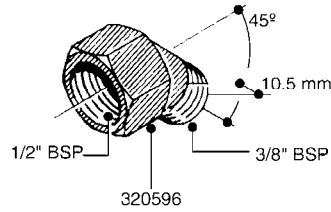
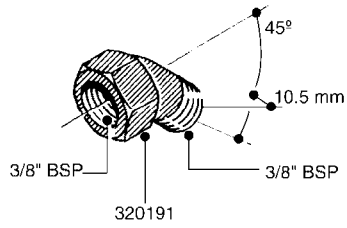
H030



FITTINGS - HEXAGON NIPPLES
H030-HIN, 01:01:01

Page 1
Date 06.04.2015 9:07

| parts-n° | order qty | description |
|----------|-----------|--------------------------------|
| 10015303 | 1 | FITT.PO.HN 1.00X1.00 M1000 |
| 10425003 | 1 | FITT.PO.HN 1.25X1.00 MCPHEE |
| 320132 | 1 | FITT.DK HN 1" BSP |
| 320176 | 1 | FITT.DK HN 3/8"X1/2" BSP |
| 320445 | 1 | FITT.DK HN 1/4"X3/8" BSP |
| 320655 | 1 | FITT.DK HN 1/2"-1/2" BSP |
| 320692 | 1 | FITT.DK HN 3/8'BSPX1/4'NPT |
| 320703 | 1 | FITT.DK HN 3/8BSP X1/2 &1/4NPT |
| 320725 | 1 | FITT.DK NIPPLE 3/8"-3/8" BSP |
| 320902 | 1 | FITT.DK HN 3/8'X 1/4' BSP |
| 390232 | 1 | FITT.DK HN 1-1/2' X 1-1/4' BSP |
| 390276 | 1 | FITT.DK HN 1'BSP |



H040

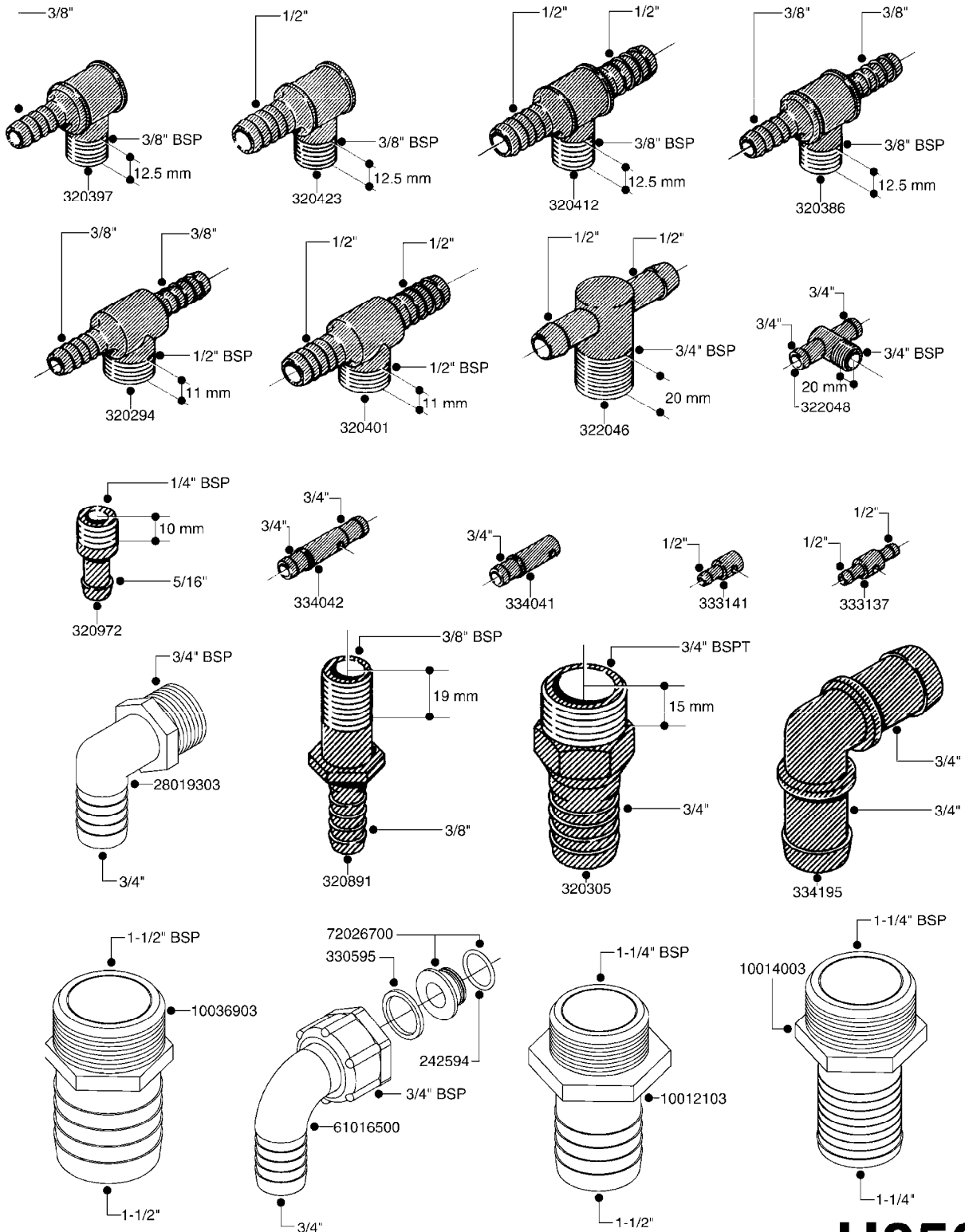


FITTINGS - NIPPLES & ELBOWS
H040-HIN, 01:01:01

Page 1

Date 06.04.2015 9:07

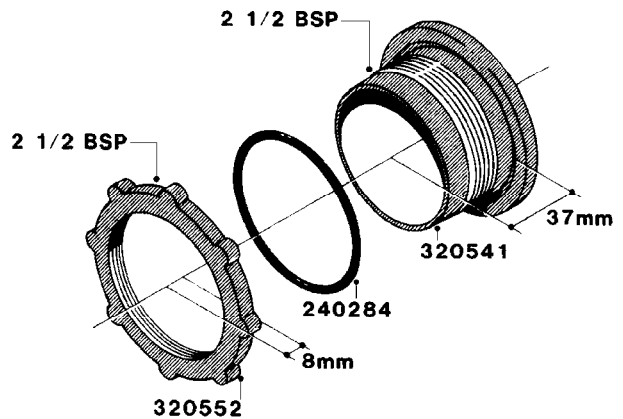
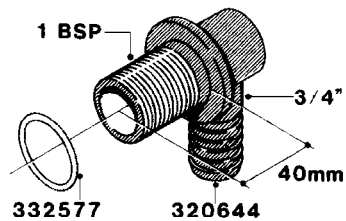
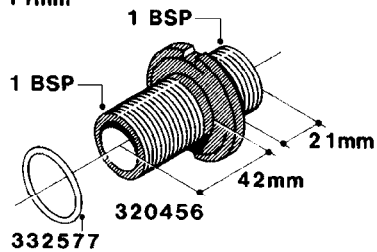
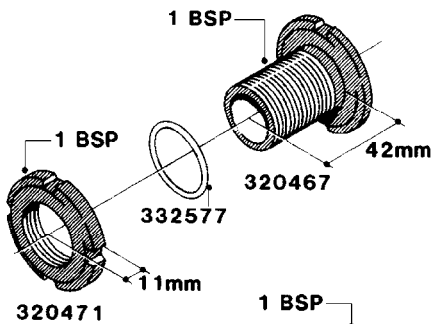
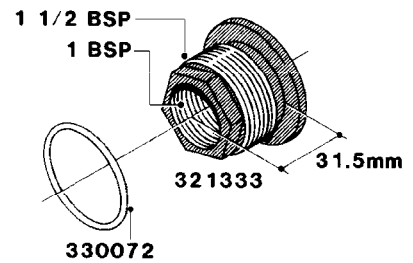
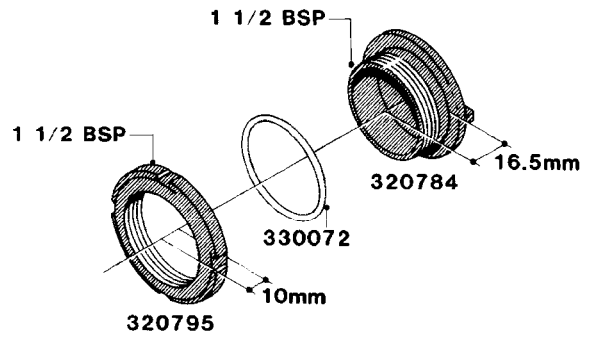
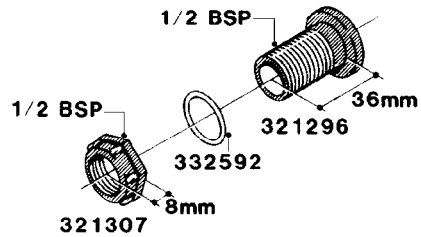
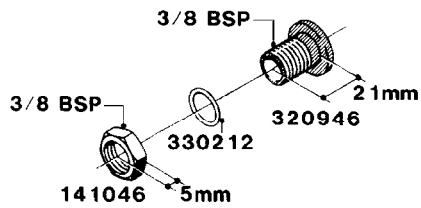
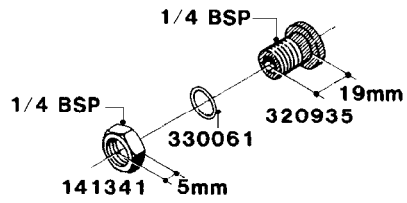
| parts-n° | order qty | description |
|----------|-----------|--------------------------------|
| 10530803 | 1 | FITT.PO.SE 2.00X2.00 45 DEG. |
| 320191 | 1 | FITT.DK ELB 3/8' BSP 45 DEGREE |
| 320482 | 1 | FITT.DK ELB. 1/2" BSP 60 DEG. |
| 320596 | 1 | FITT.DK ELB 3/8'-1/2'BSP 45DEG |
| 320607 | 1 | FITT.DK HN 3/8M X 3/8F BSP LNG |
| 320633 | 1 | FITT.DK HN 3/8"M X 3/8"F BSP |
| 321451 | 1 | FITT.DK ELB.1-1/2 X1-1/4 80DEG |
| 321532 | 1 | FITT.DK REDUC 3/4' X 1/2' BSP |
| 390233 | 1 | FITT.DK REDUC 1-1/2" X 1" BSP |



H050



| parts-n° | order qty | description |
|----------|-----------|--------------------------------|
| 242594 | 1 | O-RING D14 X 1.78 SCH.70-EPDM |
| 320294 | 1 | FITT.DK TEE 3/8X3/8HB X1/2"BSP |
| 320305 | 1 | FITT.DK HB 3/4'- 3/4' BSP |
| 320386 | 1 | FITT.DK TEE 3/8X3/8HB X3/8"BSP |
| 320397 | 1 | FITT.DK ELB 3/8"HB X 3/8" BSP |
| 320401 | 1 | FITT.DK TEE 1/2X1/2HB X1/2"BSP |
| 320412 | 1 | FITT.DK TEE 1/2X1/2HB X3/8'BSP |
| 320423 | 1 | FITT.DK ELB 1/2'HB X 3/8' BSP |
| 320891 | 1 | FITT.DK HB 3/8'- 3/8' BSP |
| 320972 | 1 | FITT.DK HB 5/16'- 1/4' BSP |
| 322046 | 1 | FITT.DK TEE 1/2X1/2HB X3/4'BSP |
| 322048 | 1 | FITT.DK TEE 3/4X3/4HB X3/4'BSP |
| 330595 | 1 | O-RING D24.6/D20X2.1 -3/4" |
| 333137 | 1 | FITT.DK CONN.1/2" F.NOZZ. DOUB |
| 333141 | 1 | FITT.DK CONN.1/2" F.NOZZ.SING |
| 334041 | 1 | FITT.DK CONN.3/4' F.NOZZ. SING |
| 334042 | 1 | FITT.DK CONN.3/4' F.NOZZ. DOUB |
| 334195 | 1 | FITT.DK ELB. 3/4"HB X 3/4"HB |
| 10012103 | 1 | FITT.PO.HB 1.25X1.50 IMB1012 |
| 10014003 | 1 | FITT.PO.HB 1.25X1.25 IMB1010 |
| 10036903 | 1 | FITT.PO.HB 1.50X1.50 IMB1212 |
| 28019303 | 1 | FITTING HB ELB 3/4NPT-3/4HOSE |
| 61016500 | 1 | HOSE TAIL 3/4" 90°+RG CAP 3/4" |
| 72026700 | 1 | NOZZLE TUBE ADAPTER W/O-RING |



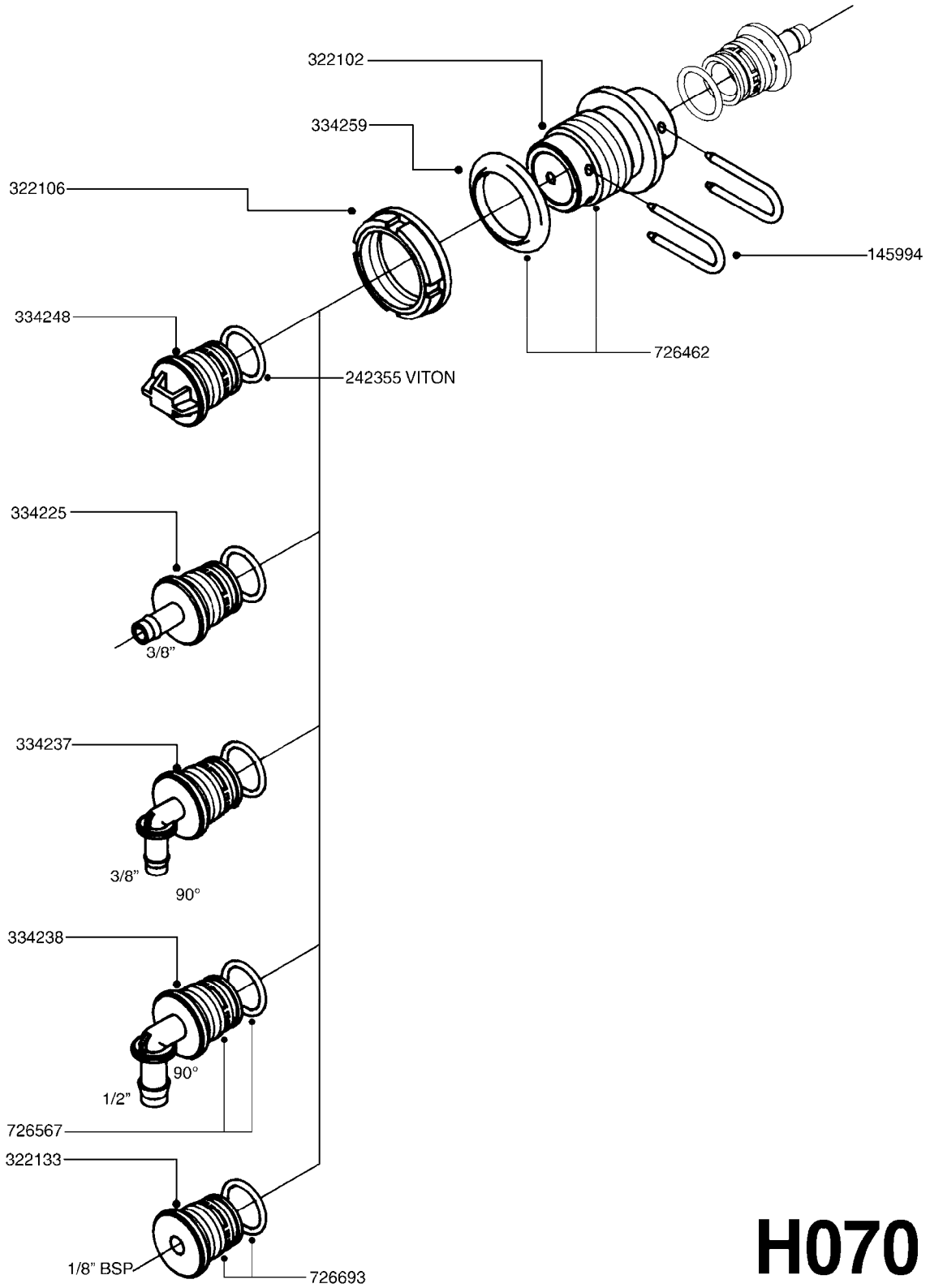
H060



FITTINGS - BULKHEAD
H060-HIN, 01:01:01

Page 1
Date 06.04.2015 9:07

| parts-n° | order qty | description |
|----------|-----------|--------------------------------|
| 141046 | 1 | NUT 3/8" BSP |
| 141341 | 1 | NUT 1/4' BSP |
| 240284 | 1 | O-RING D82,5/75 X 3,5 |
| 320456 | 1 | FITT.DK BULKHEAD 1"BSP DOUBLE |
| 320467 | 1 | FITT.DK BULKHEAD 1"BSP SINGLE |
| 320471 | 1 | FITT.DK NUT 1" BSP JAMB |
| 320541 | 1 | FITT.DK BULKHEAD 2-1/2'BSP SIN |
| 320552 | 1 | FITT.DK NUT 2-1/2' BSP JAMB |
| 320644 | 1 | FITT.DK ELB.3/4"HB X 1" BSP |
| 320784 | 1 | FITT.DK CAP 1-1/2" BSP |
| 320795 | 1 | FITT.DK NUT 1-1/2" BSP JAMB |
| 320935 | 1 | FITT.DK BULKHEAD 1/4' BSP SING |
| 320946 | 1 | FITT.DK BULKHEAD 3/8' BSP SING |
| 321296 | 1 | FITT.DK BULKHEAD 1/2" BSP SING |
| 321307 | 1 | FITT.DK NUT 1/2" BSP JAMB |
| 321333 | 1 | FITT.DK BULK 1-1/2" X 1"F BSP |
| 330061 | 1 | O-RING D16/D11X2,5 |
| 330072 | 1 | O-RING D53.5/D45.5X4 |
| 330212 | 1 | O-RING D19/D14X2.4 F.1/2"NUT |
| 332577 | 1 | O-RING D38/D30X4 F.1" PUR. |
| 332592 | 1 | O-RING D26/D20X3 |



H070

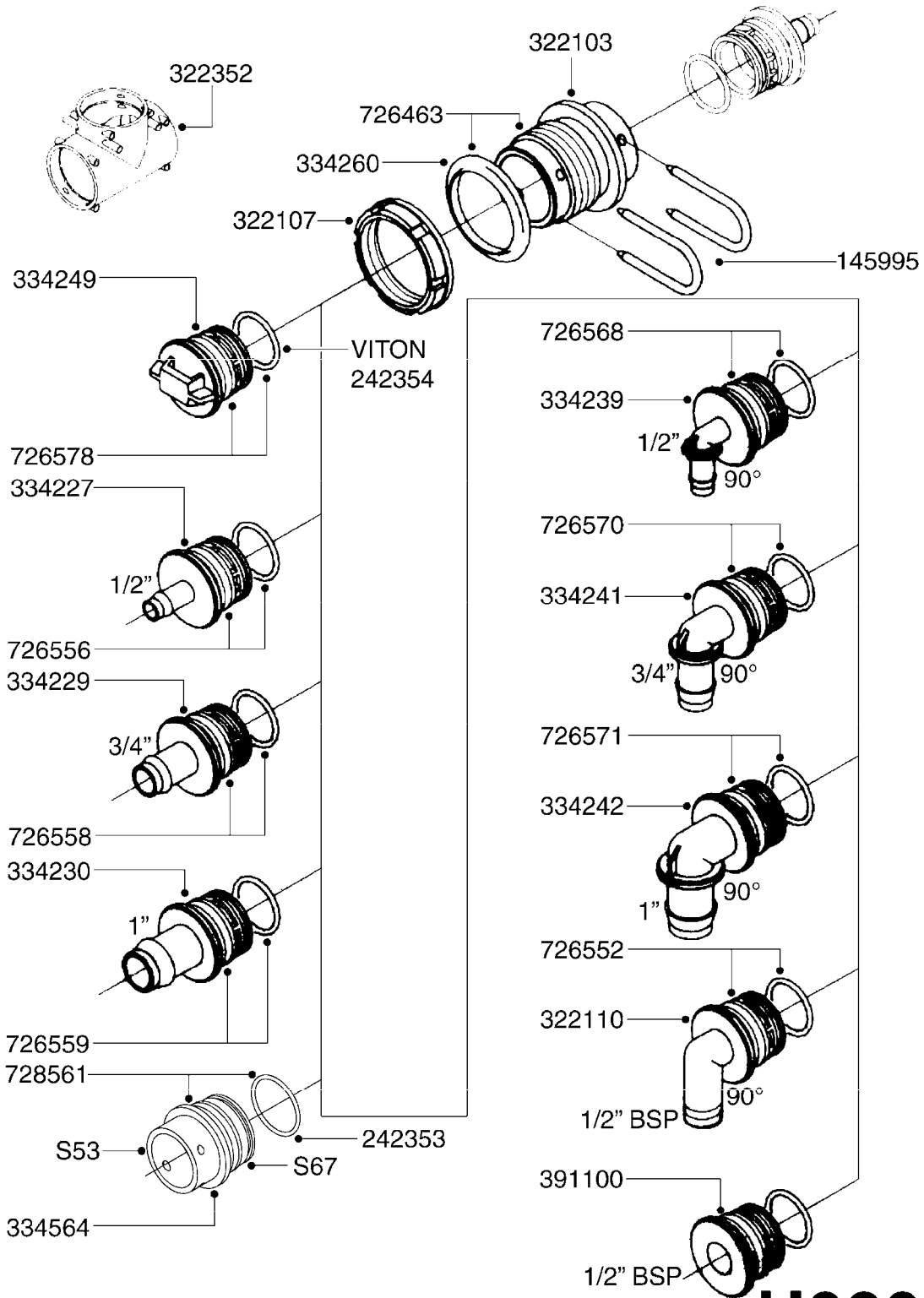


FITTINGS - S-40
H070-HIN, 01:02:12

Page 1

Date 06.04.2015 9:07

| parts-n° | order qty | description |
|----------|-----------|--------------------------------|
| 145994 | 1 | FITT.DK S-40 FORK |
| 242355 | 1 | O-RING D19.2X3.0 VITON F.S-40 |
| 322102 | 1 | FITT.DK S-40 BULKHEAD |
| 322106 | 1 | FITT.DK S-40 BULKHEAD NUT |
| 322133 | 1 | FITT.DK S-40 PLUG W 1/8 THREAD |
| 334225 | 1 | FITT.DK S-40 STR.3/8' |
| 334237 | 1 | FITT.DK S-40 ELB.3/8' |
| 334238 | 1 | FITT.DK S-40 ELB.1/2' |
| 334248 | 1 | FITT.DK S-40 PLUG |
| 334259 | 1 | GASKET F. S-40 BULKHEAD |
| 726462 | 1 | FITT. S40 BULHEAD W. GASKET |
| 726567 | 1 | FITT.DK S-40 ELB.1/2" W.ORING |
| 726693 | 1 | FITT.DK S-40 PLUG 1/8BSP ORING |



H080



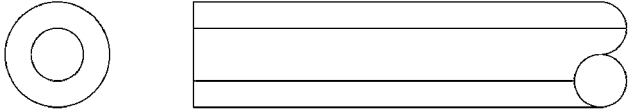
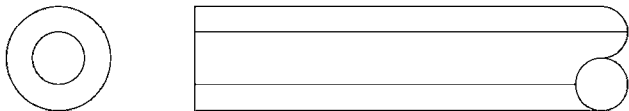
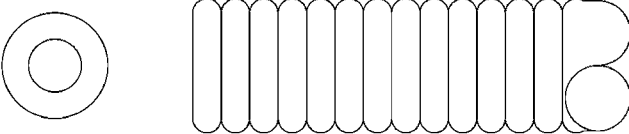
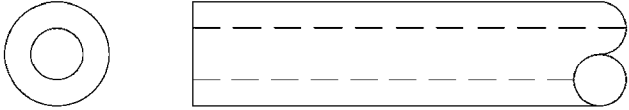
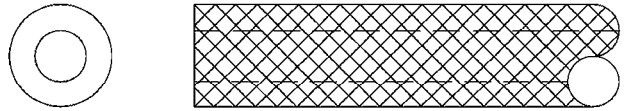

FITTINGS - S-53
H080-HIN, 01:02:12

Page 1

Date 06.04.2015 9:07

| parts-n° | order qty | description |
|----------|-----------|--------------------------------|
| 145995 | 1 | FITT.DK S-53 FORK |
| 242353 | 1 | O-RING D44.2X3.0 VITON F.S-67 |
| 242354 | 1 | O-RING D32.2X3.0 VITON F.S-53 |
| 322103 | 1 | FITT.DK S-53 BULKHEAD |
| 322107 | 1 | FITT.DK S-53 BULKHEAD NUT |
| 322110 | 1 | FITT.DK S-53 ELB. 1/2" BSP |
| 322352 | 1 | FITT.DK S-53 TEE |
| 334227 | 1 | FITT.DK S-53 STR.1/2' |
| 334229 | 1 | FITT.DK S-53 STR.3/4" |
| 334230 | 1 | FITT.DK S-53 STR.1" |
| 334239 | 1 | FITT.DK S-53 ELB.1/2" |
| 334241 | 1 | FITT.DK S-53 ELB.3/4" |
| 334242 | 1 | FITT.DK S-53 ELB.1" |
| 334249 | 1 | FITT.DK S-53 PLUG |
| 334260 | 1 | GASKET F. S-53 BULKHEAD |
| 334564 | 1 | FITT.DK S-67 TO S-53 ADAPTER |
| 391100 | 1 | FITT.DK S-53THREAD INS.1/2"BSP |
| 726463 | 1 | FITT.DK S53 BULKHEAD W/GASKET |
| 726552 | 1 | FIT.DK S-53X90 1/2" BSP,O-RING |
| 726556 | 1 | FITT.DK S-53 HB 1/2" W/O-RING |
| 726558 | 1 | FITT.DK S53 STR. 3/4" W.ORING |
| 726559 | 1 | FITT DK. S-53 HB 1" W/O-RING |
| 726568 | 1 | FITT.DK.S-53 HB 1/2"90 W/ORING |
| 726570 | 1 | FITT.DK S-53 ELB.3/4" W.ORING |
| 726571 | 1 | FITT.DK S-53 ELB.1", W ORING |
| 726578 | 1 | FITT.DK S53 PLUG WITH O-RING |
| 728561 | 1 | FITT.DK. S67M - S53F REDUCER |



| I.D. | PART # (ONE FOOT) | |
|----------------------------------------|----------------------------------------------------------|--------------------------------------------------------------------------------------------------------------------------------------------------------|
| 3/8" 1/2" 3/4" 1" 1-1/4" | 92701703 92702103 92703203 92712403 92734403 |  <p>RUBBER HOSE SMOOTH, BLACK, TWO BLUE STRIPES</p> |
| 5/16" 3/8" 1/4" 1/2" 3/4" | 927281 927284 927268 927269 927270 |  <p>PVC HOSE SHINY, BLACK, SMOOTH, TWO WHITE STRIPES</p> |
| 1" 1-1/4" 1-1/2" 2" 2-1/2" | 92702403 92738900 92702603 92702703 92702803 |  <p>PVC SPIRAL SUCTION HOSE SHINY, RIBBED, GRAY</p> |
| 3/4" | 927205 |  <p>PVC HOSE CLEAR, SMOOTH</p> |
| 1/2" 3/4" | 10631003 927231 |  <p>PVC HOSE SMOOTH, CLEAR, REINFORCED WITH WHITE MESH</p> |
| 4mm 6mm 8mm 10mm | 927253 RED 927264 RED 927306 BLACK 927330 BLACK |  <p>PVC AIR HOSE SMOOTH</p> |

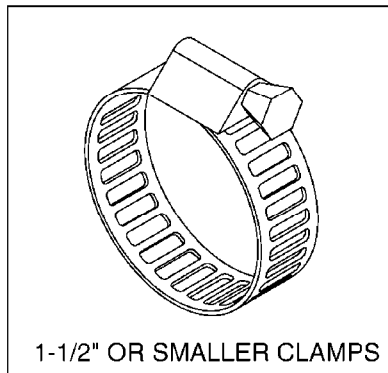
H120



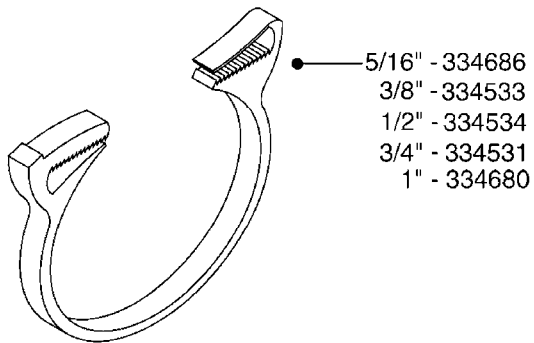
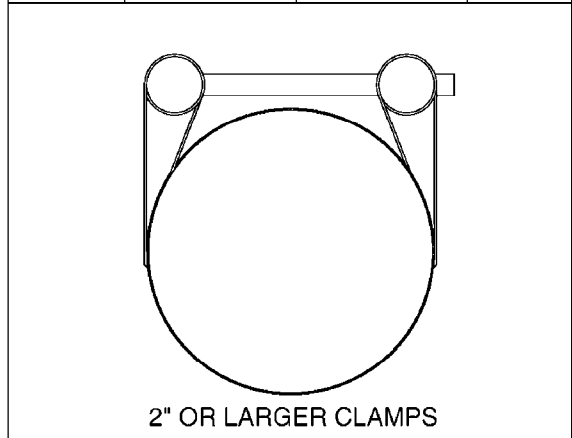
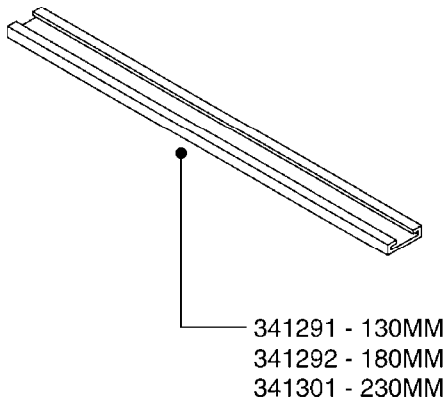
BULK HOSE
H120-HIN, 11:05:10

Page 1
Date 06.04.2015 9:07

| parts-n° | order qty | description |
|----------|-----------|--------------------------------|
| 927205 | 1 | HOSE R X CLEAR X 3/4 X 0012" |
| 927231 | 1 | HOSE R X PVCX3/4 CLR/BRD 0012" |
| 927253 | 1 | AIR HOSE, DIAMETER 4MM |
| 927264 | 1 | HOSE R X PE D6/D4 X 0012" |
| 927268 | 1 | HOSE R X PVC X 1/4 X 0012" |
| 927269 | 1 | HOSE R X PVC X 1/2 X 0012" |
| 927270 | 1 | HOSE R X PVC X 3/4 X 0012" |
| 927281 | 1 | HOSE R X PVC X 5/16 X 0012" |
| 927284 | 1 | HOSE 3/8 PVC W/ INSERT |
| 927306 | 1 | HOSE R X PE D8/D6 X 0012"BLACK |
| 927330 | 1 | HOSE R X PE D10/D8 X 012"BLACK |
| 10631003 | 1 | HOSE R X CLEAR BRAID.X 1/2 12" |
| 92701703 | 1 | HOSE R X3/8" X300PSI WP X0012" |
| 92702103 | 1 | HOSE R X1/2" X300PSI WP X0012" |
| 92702403 | 1 | HOSE PVC SUCT GRAY 1" |
| 92702603 | 1 | HOSE PVC SUCT GRAY 1-1/2" |
| 92702703 | 1 | HOSE PVC SUCT GRAY 2" |
| 92702803 | 1 | SUGE SLANGE PVC GRÅ 2-1/2" |
| 92703203 | 1 | HOSE R X3/4" X300PSI WP X0012" |
| 92712403 | 1 | HOSE R X1" X300PSI WP X0012" |
| 92734403 | 1 | HOSE R X5/4" X200PSI WP X0012" |
| 92738900 | 1 | HOSE R X PVC X 1-1/4" 0012" |



| Hose Size | Pressure | Suction | Clamp Code |
|-----------|----------|----------|------------|
| 3/8" | 28029803 | | 6706 |
| 1/2" | 28029803 | | 6706 |
| 3/4" | 28029903 | | 6712 |
| 1" | 28030003 | 28029903 | 6716 |
| 1-1/4" | 28030103 | | 6724 |
| 1-1/2" | | 28030103 | 6724 |
| 2" | | 28030203 | 235-67 |
| 2-1/2" | | 28030303 | 235-74 |
| 3" | | 28030403 | 235-82 |



H130



HOSE CLAMPS
H130-HIN, 05:07:11

Page 1

Date 06.04.2015 9:07

| parts-n° | order qty | description |
|----------|-----------|--------------------------------|
| 334531 | 1 | CLAMP HOSE PLASTIC 3/4" |
| 334533 | 1 | CLAMP HOSE PLASTIC 3/8" |
| 334534 | 1 | CLAMP HOSE PLASTIC 1/2" |
| 334680 | 1 | CLAMP HOSE PLASTIC 1" |
| 334686 | 1 | CLAMP HOSE PLASTIC 5/16" |
| 341291 | 1 | RUBBER HOSE CLAMP COVER 130MM |
| 341292 | 1 | RUBBER HOSE CLAMP COVER 180MM |
| 341301 | 1 | RUBBER HOSE CLAMP COVER 230MM |
| 28029803 | 1 | CLAMP HOSE GEAR P1/2" 6708 |
| 28029903 | 1 | CLAMP HOSE GEAR P3/4"-S1" 6712 |
| 28030003 | 1 | CLAMP HOSE GEAR P1" 6716 |
| 28030103 | 1 | CLAMP HOSE GEAR P5/4-S1.5"6724 |
| 28030203 | 1 | CLAMP HOSE T-BOLT S2" 235-67 |
| 28030303 | 1 | CLAMP HOSE T-BOLT S2.5" 235-76 |
| 28030403 | 1 | CLAMP HOSE T-BOLT S3" 235-82 |