



Agroparts: [www.HARDI-INTERNATIONAL.com](http://www.HARDI-INTERNATIONAL.com)

Nav/Nav M 550 Gallon MB 35',  
40', 42', 45', 50'

Country-Code 11

Date 06.04.2015 10:36

**Navigator/Navigator M**  
**550 Gallon**  
**MB 35', 40', 42'**  
**MB 45', 50'**





| main group                   | page-n°                          | date     | description                    |
|------------------------------|----------------------------------|----------|--------------------------------|
| Pumps, Pto's, Gear Boxes     | A190-HIN                         | 08:11:11 | PUMP - 1302 W/ MOUNTING BASE   |
|                              | A191-HIN                         | 08:11:11 | PUMP - 1303 W/ MOUNTING BASE   |
|                              | A220-HIN                         | 28:07:14 | PUMP - 1301/1302 FITTINGS      |
|                              | A230-HIN                         | 15:04:14 | PUMP - 361 W/MOUNTING BASE     |
|                              | A240-HIN                         | 01:12:11 | PUMP - 363 W/MOUNTING BASE     |
|                              | A250-HIN                         | 01:12:11 | PUMP - 363/1000 RPM W/MOUNTING |
|                              | A270-HIN                         | 01:12:11 | PUMP - 361/363FITTINGS         |
|                              | A290-HIN                         | 08:11:11 | PUMP - 462 W/MOUNTING BASE     |
|                              | A300-HIN                         | 01:12:11 | PUMP - 463 W/ MOUNTING BASE    |
|                              | A310-HIN                         | 10:03:14 | PUMP - 463/1000 RPM W/MOUNTING |
|                              | A340-HIN                         | 10:03:14 | PUMP - 460/462/463 FITTINGS    |
|                              | A430-HIN                         | 14:06:12 | PUMP-204,206-150,210,310 ACE   |
|                              | A440-HIN                         | 08:12:09 | PUMP 9016/9018 HYPRO CENT.     |
|                              | A480-HIN                         | 13:12:11 | PTO SHAFTS - BONDIOLI DIAPH.   |
|                              | A485-HIN                         | 20:01:14 | PTO SHAFTS - BONDIOLI CENT.    |
|                              | A560-HIN                         | 07:01:15 | PTO SHAFTS - AMA DIAPHRAGM     |
|                              | Controls, Suction & S.C. Filters | B180-HIN | 20:06:11                       |
| B190-HIN                     |                                  | 08:09:11 | EC MASTER VALVE-ELEC.(RED GRP) |
| B200-HIN                     |                                  | 16:12:08 | EC MASTER VALVE-ELEC.(GRN GRP) |
| B220-HIN                     |                                  | 16:12:08 | EC BOOM VALVE - ELEC.(RED GRP) |
| B230-HIN                     |                                  | 29:05:13 | EC BOOM VALVE-ELEC.(GRN GRIP)  |
| B260-HIN                     |                                  | 01:01:01 | CONTROL BOX F/EC+EC-SC         |
| B270-HIN                     |                                  | 01:01:01 | CONTROL BOX F/EC + ECSC POST96 |
| B280-HIN                     |                                  | 30:05:13 | 12 VOLT OUTLET BOX             |
| B290-HIN                     |                                  | 29:10:12 | MANIFOLD SYSTEM - PRESSURE     |
| B300-HIN                     |                                  | 27:04:11 | MANIFOLD - S67 VALVE           |
| B310-HIN                     |                                  | 29:10:12 | MANIFOLD SYSTEM - SUCTION      |
| B320-HIN                     |                                  | 29:10:12 | MANIFOLD - S93 VALVE           |
| B321-HIN                     |                                  | 29:10:12 | SMART VALVE-S93 MANIFOLD VALVE |
| B341-HIN                     |                                  | 10:05:11 | PRESSURE RELIEF VALVE          |
| Hydraulics                   | B360-HIN                         | 27:05:09 | SELF CLEANING FILTER-SCREW TOP |
|                              | B370-HIN                         | 08:12:09 | TOP SUCTION ASSEMBLY-SCREW CAP |
|                              | C010-HIN                         | 01:01:01 | HYDRAULICS - CYLINDERS         |
|                              | C025-HIN                         | 15:08:12 | HYDRAULICS - FAROIL CYLINDERS  |
|                              | C040-HIN                         | 14:12:07 | HYDRAULICS-MB BOOM LIFT CYLNDR |
| Booms, Nozzle Bodies & Tubes | C050-HIN                         | 22:08:12 | HYDRAULICS-MB BOOM WING TILT   |
|                              | D080-HIN                         | 12:12:05 | BOOM - MB 35' 40' 42'          |
|                              | D090-HIN                         | 12:12:05 | BOOM - MB 45' 50'              |
|                              | D100-HIN                         | 01:01:01 | BOOM - MB H-FRAME ML-TRAILER   |
|                              | D120-HIN                         | 12:12:05 | BOOM-MB H-FRM 45' 50' WL TRLR  |
|                              | D130-HIN                         | 05:12:09 | BOOM - MB H-FRAME HL           |
|                              | D150-HIN                         | 01:01:01 | BOOM - MB AIR SUSPSN (HL ONLY) |
|                              | D620-HIN                         | 18:03:10 | NOZZLE BODIES-SNAP FIT         |
|                              | D625-HIN                         | 04:06:13 | DOUBLE NOZZLE HOLDER-SNAP FIT  |
|                              | D630-HIN                         | 12:04:13 | NOZZLE TUBES & HOLDER-PLASTIC  |
|                              | D700-HIN                         | 14:12:07 | BOOM-NOZZLES 110° FLAT FAN ISO |
|                              | D701-HIN                         | 14:12:07 | BOOM-NOZZLES 110° LOWDRIFT ISO |
|                              | D702-HIN                         | 14:12:07 | BOOM-NOZZLES 80° FLAT FAN ISO  |
|                              | D703-HIN                         | 14:12:07 | BOOM-NOZZLE CAPS AND FILTERS   |
|                              | D704-HIN                         | 14:12:07 | BOOM-NOZZLES INJET             |
|                              | D705-HIN                         | 14:12:07 | BOOM-NOZZLES MINIDRIFT         |
|                              | D706-HIN                         | 14:12:07 | BOOM-NOZZLES QUINTASTREAM      |
| Tanks                        | E300-HIN                         | 07:12:09 | TANK 550 NAV/NAV-M CENTRIFUGAL |



Nav/Nav M 550 Gallon MB 35',  
40', 42', 45', 50'

Page 0.2

Date 06.04.2015 10:36

| main group             | page-n°  | date                           | description                    |
|------------------------|----------|--------------------------------|--------------------------------|
| Frames, Hub Assemblies | E310-HIN | 19:05:11                       | TANK 550 NAV & NAV-M DIAPHRAGM |
|                        | F220-HIN | 21:05:09                       | FRAME NAVIGATOR HC 550         |
|                        | F230-HIN | 15:06:07                       | FRAME NAVIGATOR STA 550        |
|                        | F240-HIN | 21:05:09                       | FRAME - NAVIGATOR M HC 550     |
|                        | F250-HIN | 15:06:07                       | FRAME NAVIGATOR M STA 550      |
|                        | F410-HIN | 22:08:05                       | HUB ASSEMBLY F.1-3/4" SPINDLE  |
|                        | F440-HIN | 08:06:10                       | HUB ASSY F. 3" SPINDLE CM750   |
| Accessories            | G050-HIN | 06:10:10                       | CHEM.FILLER-MOUNTING BRACKETS  |
|                        | G060-HIN | 09:12:09                       | CHEM.FILLER-PLUMBING-MANIFOLD  |
|                        | G070-HIN | 09:12:09                       | CHEM.FILLER-PLUMBING-STANDARD  |
|                        | G080-HIN | 14:06:12                       | CHEM.FILLER-STANDARD-PLUMBING  |
|                        | G090-HIN | 19:05:11                       | CHEMICAL FILLER-HOPPER(PRE95)  |
|                        | G100-HIN | 19:05:11                       | CHEMICAL FILLER-HOPPER(POST95) |
|                        | G110-HIN | 26:06:06                       | CLEAN WATER TANK               |
|                        | G120-HIN | 05:04:12                       | DRAIN ASSEMBLY-PULL CORD TYPE  |
|                        | G190-HIN | 28:11:06                       | END NOZZLE KIT                 |
|                        | G191-HIN | 09:05:13                       | ELECTRIC END NOZZLE KIT '09    |
|                        | G194-HIN | 22:05:14                       | CFX-750 DISPLAY, DGPS          |
|                        | G195-HIN | 01:01:01                       | EZ-GUIDE PLUS LIGHT BAR        |
|                        | G196-HIN | 15:11:09                       | EZ-STEER STEERING SYSTEM       |
|                        | G197-HIN | 09:12:09                       | EZ-GUIDE 500 LIGHTBAR          |
|                        | G198-HIN | 01:12:09                       | EZ-STEER 500 STEERING SYSTEM   |
|                        | G199-HIN | 30:11:09                       | EZ-GUIDE 250 LIGHTBAR          |
|                        | G220-HIN | 29:08:12                       | FILTER ASSEMBLIES-IN LINE      |
|                        | G230-HIN | 09:12:09                       | FLUSH SYS-PLMBNG MANIFOLD SYS  |
|                        | G240-HIN | 09:12:09                       | FLUSH SYSTEM-STANDARD PLUMBING |
|                        | G270-HIN | 01:01:01                       | FLUSH SYSTEM-TANKMOUNT TR/HC   |
|                        | G310-HIN | 25:04:11                       | FLUSH SYSTEM TANK MOUNT NAV-M  |
|                        | G320-HIN | 26:05:11                       | FOAM MARKER COMPRESSOR PRE 92  |
|                        | G330-HIN | 24:07:14                       | FOAM MARKER COMPRESSOR POST 92 |
|                        | G340-HIN | 30:07:14                       | FOAM MARKER COMPRESSOR POST 94 |
|                        | G341-HIN | 27:05:10                       | FOAM MARKER COMPRESSOR 2002    |
|                        | G342-HIN | 21:04:14                       | FOAM MARKER COMPRESSOR 2007    |
|                        | G370-HIN | 01:01:01                       | FOAM MARKER MOUNT BRACKETS     |
|                        | G380-HIN | 01:01:01                       | FOAM MARKER TANK/DROPPER PRE92 |
|                        | G390-HIN | 30:07:14                       | FOAMMARKER TANK/DROPPER POST93 |
|                        | G400-HIN | 21:06:11                       | FOAM MARKER DROPPER UPDATE 98  |
|                        | G410-HIN | 12:12:05                       | FOAMMARKER DROPPER UPDATE 2000 |
|                        | G440-HIN | 19:05:11                       | HANDGUN TYPE 60S/60L PRE 95    |
|                        | G450-HIN | 19:05:11                       | HANDGUN TYPE 60S/60L POST 95   |
|                        | G480-HIN | 15:11:09                       | HC 2500/HM1500 DISPLAY/SCANBOX |
|                        | G481-HIN | 16:12:08                       | MUSTANG 3500 CONTROLLER        |
|                        | G490-HIN | 08:04:10                       | TRANSDUCERS AND ACCESSORIES    |
|                        | G510-HIN | 19:05:11                       | HOSE WRAPS                     |
|                        | G520-HIN | 01:05:13                       | PRESSURE GAUGES                |
|                        | G540-HIN | 20:12:10                       | QUICKFILL-PLMBNG SYS-TRLR SPYR |
|                        | G550-HIN | 20:12:10                       | QUICKFILL-UPDATE 97-TRAILER    |
| G600-HIN               | 19:05:11 | REMOTE GAUGE-BK 180 & EC       |                                |
| G610-HIN               | 12:12:05 | REMOTE GAUGE-ESC SPRAYERS-4"   |                                |
| G611-HIN               | 19:05:11 | REMOTE GAUGE-MAGNETIC BASE KIT |                                |
| G612-HIN               | 30:09:14 | REMOTE GAUGE - NAVIGATOR M     |                                |
| G630-HIN               | 28:11:06 | RINSE SYSTEM NOZZLES           |                                |
| G640-HIN               | 19:05:11 | RINSE SYSTEM PLUMBING          |                                |
| G645-HIN               | 12:12:05 | SAFETY CHAINS                  |                                |
| G650-HIN               | 13:06:11 | SIGHT GAUGE - REMOTE           |                                |
| G680-HIN               | 01:01:01 | TRAFFIC LIGHT KIT              |                                |

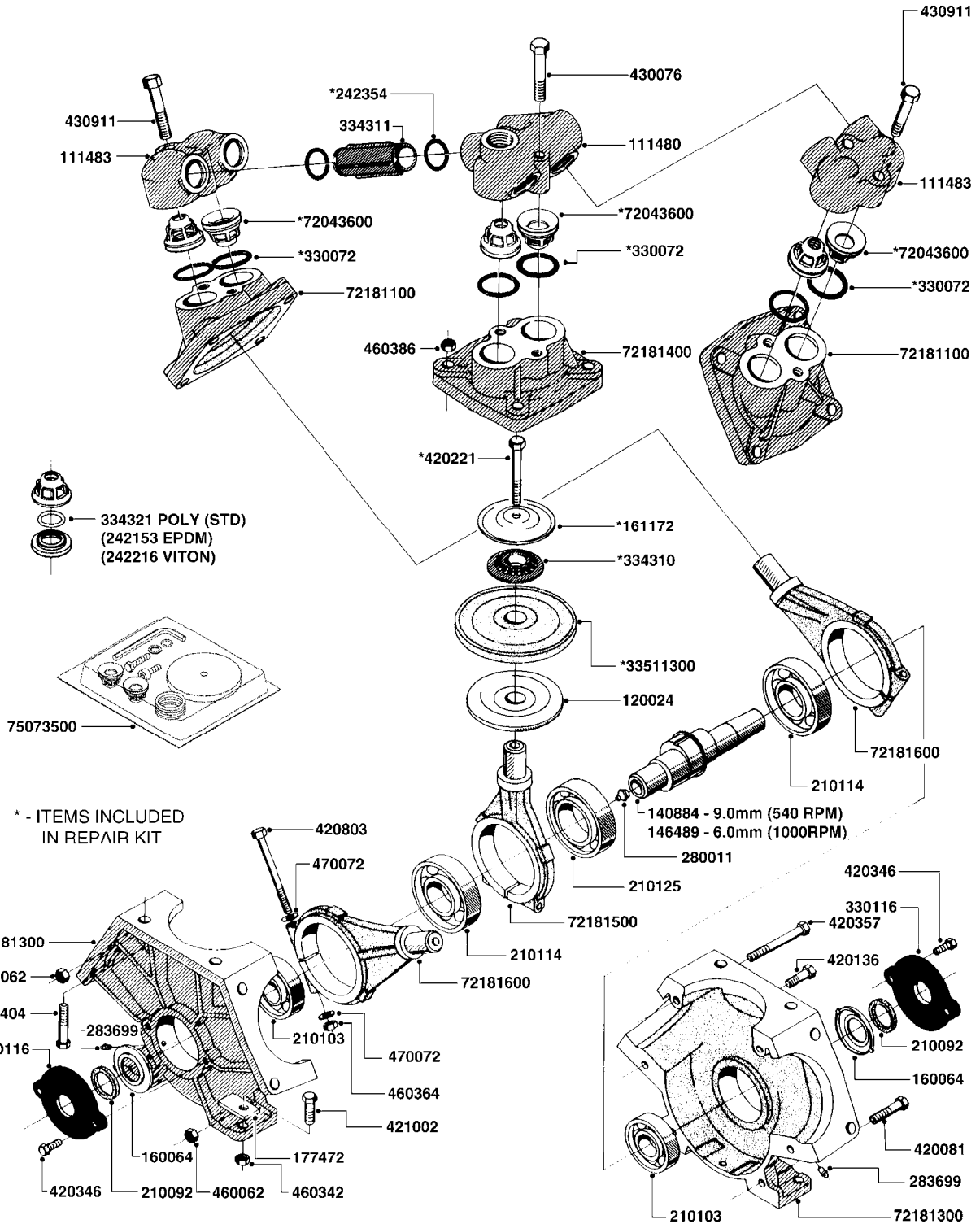


Nav/Nav M 550 Gallon MB 35',  
40', 42', 45', 50'

Page 0.3

Date 06.04.2015 10:36

| main group                   | page-n°  | date     | description                     |
|------------------------------|----------|----------|---------------------------------|
| Fittings, Bulk Hose & Clamps | G702-HIN | 05:08:14 | SPRAYBOX II                     |
|                              | G705-HIN | 01:12:10 | JUNCTION BOX - LIQUID           |
|                              | G710-HIN | 16:05:12 | 39 PIN CABLES                   |
|                              | G711-HIN | 09:05:13 | ELECTRIC END NOZZLE KIT         |
|                              | H010-HIN | 28:11:06 | FITTINGS-CAP NUTS & HOSE BARBS  |
|                              | H020-HIN | 01:01:01 | FITTINGS-T-PIECES,CAPS & ELBOWS |
|                              | H030-HIN | 01:01:01 | FITTINGS - HEXAGON NIPPLES      |
|                              | H040-HIN | 01:01:01 | FITTINGS - NIPPLES & ELBOWS     |
|                              | H050-HIN | 31:03:09 | FITTINGS - HOSE CONNECTORS      |
|                              | H060-HIN | 01:01:01 | FITTINGS - BULKHEAD             |
|                              | H070-HIN | 01:02:12 | FITTINGS - S-40                 |
|                              | H080-HIN | 01:02:12 | FITTINGS - S-53                 |
|                              | H090-HIN | 01:01:01 | FITTINGS - S-56 & S-61          |
|                              | H100-HIN | 08:11:12 | FITTINGS - S-67                 |
|                              | H110-HIN | 08:11:12 | FITTINGS - S-93                 |
|                              | H120-HIN | 11:05:10 | BULK HOSE                       |
|                              | H130-HIN | 05:07:11 | HOSE CLAMPS                     |



**A190**

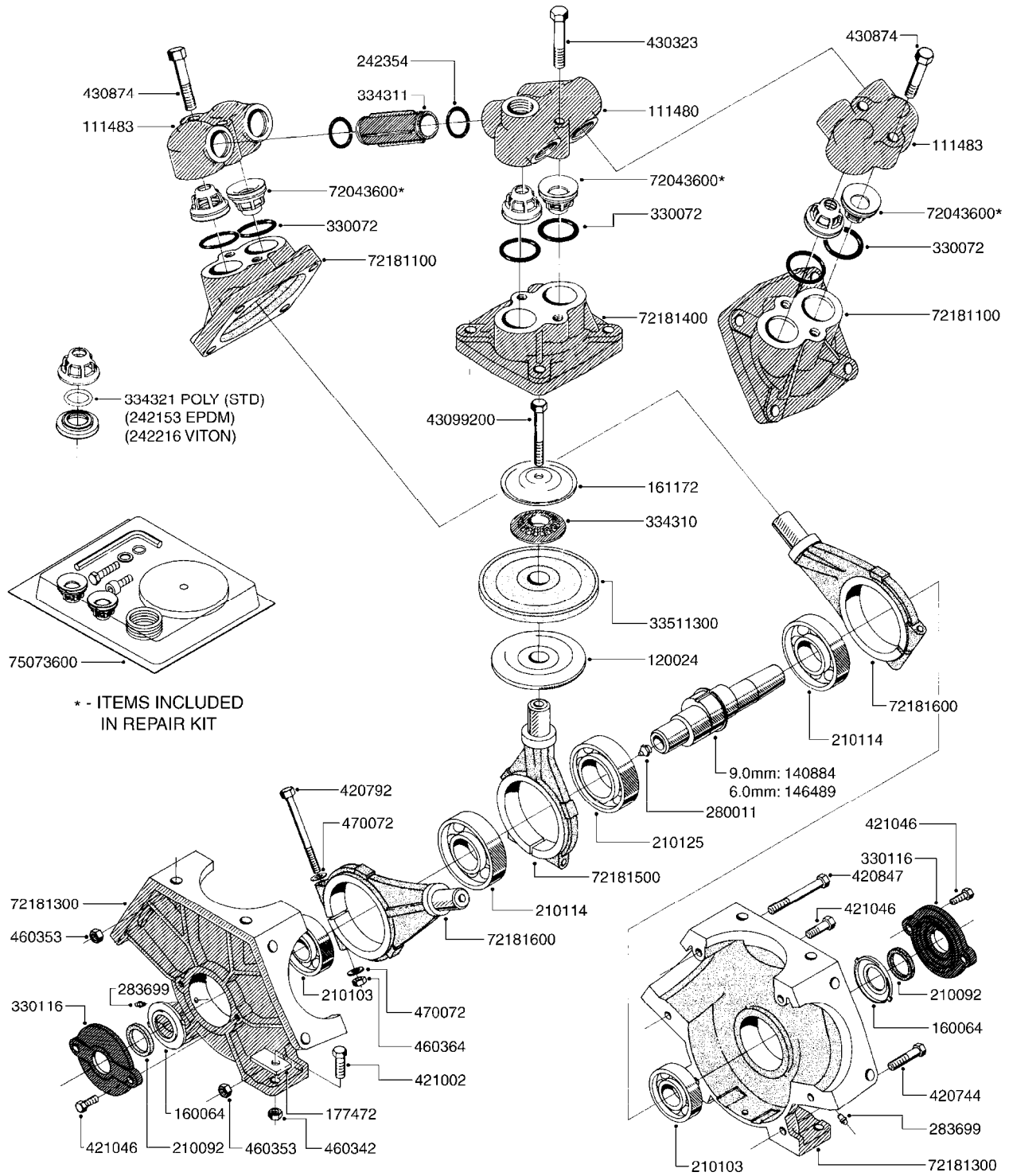


PUMP - 1302 W/ MOUNTING BASE  
A190-HIN, 08:11:11

Page 1

Date 06.04.2015 10:36

| parts-n° | order qty | description                       |
|----------|-----------|-----------------------------------|
| 111480   | 1         | VALVE HEAD 1302 CENTER            |
| 111483   | 1         | VALVE HEAD SIDE 1302              |
| 120024   | 1         | DIAPHRAGM BACK DISC 1200-1300     |
| 140884   | 1         | CRANK SHAFT MODEL 1300-9          |
| 146489   | 1         | CRANK SHAFT MODEL 1302-6MM        |
| 160064   | 1         | DUST PLATE                        |
| 161172   | 1         | DIAPHRAGM DISC F. 1203/1303       |
| 177472   | 1         | BRACKET 25 X 5                    |
| 210092   | 1         | SEAL FELT D43/30X5                |
| 210103   | 1         | BEARING BALL 6306                 |
| 210114   | 1         | BEARING BALL 6308                 |
| 210125   | 1         | BEARING BALL 6210                 |
| 242153   | 1         | O-RING D26X4 EPDM                 |
| 242216   | 1         | O-RING VITON F/1202/1302/462      |
| 242354   | 1         | O-RING D32.2X3.0 VITON F.S-53     |
| 280011   | 1         | GREASE NIPPLE 1/8' H TR           |
| 283699   | 1         | GREASE NIPPLE M6X1                |
| 330072   | 1         | O-RING D53.5/D45.5X4              |
| 330116   | 1         | SEAL RETAINER, MODEL 1300         |
| 334310   | 1         | NYLON WASHER 1202/1302/462        |
| 334311   | 1         | CONNECTION PIPE INLET MOD.1302    |
| 334321   | 1         | O-RING POLY. 34.0x26.0x4.0        |
| 420081   | 1         | BOLT HEX 8.8 DEL 3/8'X40MM        |
| 420136   | 1         | BOLT HEX 8.8 RAW 3/8'X30MM        |
| 420221   | 1         | BOLT HEX 7/16'X2-1/4'             |
| 420346   | 1         | BOLT HEX 8.8 DEL 3/8'X 25MM       |
| 420357   | 1         | BOLT HEX 8.8 RAW 3/8'X85MM        |
| 420803   | 1         | BOLT HEX 8.8 DEL M8X90            |
| 421002   | 1         | BOLT HEX 8.8 DEL M10X30 FT DIN933 |
| 430076   | 1         | BOLT HEX 8.8 RAW 1/2'X60MM        |
| 430404   | 1         | BOLT HEX 8.8 DEL M12X50           |
| 430911   | 1         | BOLT HEX 8.8 WG 1/2" x 70MM       |
| 460062   | 1         | NUT HEX 3/8' GALV.                |
| 460342   | 1         | NUT HEX M10 DEL DIN934            |
| 460364   | 1         | NUT HEX M8 GALV.                  |
| 460386   | 1         | NUT HEX M12X1.75                  |
| 470072   | 1         | WASHER D15/D8X.5 LOCK             |
| 33511300 | 1         | DIAPHRAGM 1202-1303 POLY 2006     |
| 72043600 | 1         | VALVE FOR 462/463                 |
| 72181100 | 1         | DIAPHRAGM COVER 1203/1303+BLTS    |
| 72181300 | 1         | PUMP CASTING 1300 RED W/BOLTS     |
| 72181400 | 1         | DIAPHRAGM COVER 1303 W/BOLTS      |
| 72181500 | 1         | CONNECTING ROD, CENTER 1303       |
| 72181600 | 1         | CONNECTING ROD, SIDE MOD.1300     |
| 75073500 | 1         | PUMP KIT 1300/1302 "06"           |



**COMPLETE PUMPS**  
821635 - PUMP ONLY  
10396203 - WITH PTO & DAMPER

**COMPLETE ASSEMBLIES**  
**WHOLEGOODS ITEMS**

**A191**



PUMP - 1303 W/ MOUNTING BASE  
A191-HIN, 08:11:11

Page 1

Date 06.04.2015 10:37

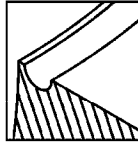
| parts-n° | order qty | description                         |
|----------|-----------|-------------------------------------|
| 111480   | 1         | VALVE HEAD 1302 CENTER              |
| 111483   | 1         | VALVE HEAD SIDE 1302                |
| 120024   | 1         | DIAPHRAGM BACK DISC 1200-1300       |
| 140884   | 1         | CRANK SHAFT MODEL 1300-9            |
| 146489   | 1         | CRANK SHAFT MODEL 1302-6MM          |
| 160064   | 1         | DUST PLATE                          |
| 161172   | 1         | DIAPHRAGM DISC F. 1203/1303         |
| 177472   | 1         | BRACKET 25 X 5                      |
| 210092   | 1         | SEAL FELT D43/30X5                  |
| 210103   | 1         | BEARING BALL 6306                   |
| 210114   | 1         | BEARING BALL 6308                   |
| 210125   | 1         | BEARING BALL 6210                   |
| 242153   | 1         | O-RING D26X4 EPDM                   |
| 242216   | 1         | O-RING VITON F/1202/1302/462        |
| 242354   | 1         | O-RING D32.2X3.0 VITON F.S-53       |
| 280011   | 1         | GREASE NIPPLE 1/8" H TR             |
| 283699   | 1         | GREASE NIPPLE M6X1                  |
| 330072   | 1         | O-RING D53.5/D45.5X4                |
| 330116   | 1         | SEAL RETAINER, MODEL 1300           |
| 334310   | 1         | NYLON WASHER 1202/1302/462          |
| 334311   | 1         | CONNECTION PIPE INLET MOD.1302      |
| 334321   | 1         | O-RING POLY. 34.0x26.0x4.0          |
| 420744   | 1         | BOLT HEX 8.8 DEL M8X40              |
| 420792   | 1         | BOLT HEX 8.8 RAW M8X95              |
| 420847   | 1         | BOLT HEX 8.8 DEL M8X85              |
| 421002   | 1         | BOLT HEX 8.8 DEL M10X30 FT DIN933   |
| 421046   | 1         | BOLT HEX 8.8 DEL M8X25 FT A2 DIN933 |
| 430323   | 1         | BOLT HEX 8.8 DEL M12X60             |
| 430874   | 1         | SCREW SET 8.8 DEL M12X70 FT         |
| 460342   | 1         | NUT HEX M10 DEL DIN934              |
| 460353   | 1         | NUT HEX M8 BLACK                    |
| 460364   | 1         | NUT HEX M8 GALV.                    |
| 470072   | 1         | WASHER D15/D8X.5 LOCK               |
| 821635   | 1         | PUMP 1303/9 540RPM                  |
| 10396203 | 1         | PUMP 1303 C/W PTO 540 RPM           |
| 33511300 | 1         | DIAPHRAGM 1202-1303 POLY 2006       |
| 43099200 | 1         | BOLT HEX SS M12 X 30 DIN933 A4      |
| 72043600 | 1         | VALVE FOR 462/463                   |
| 72181100 | 1         | DIAPHRAGM COVER 1203/1303+BLTS      |
| 72181300 | 1         | PUMP CASTING 1300 RED W/BOLTS       |
| 72181400 | 1         | DIAPHRAGM COVER 1303 W/BOLTS        |
| 72181500 | 1         | CONNECTING ROD, CENTER 1303         |
| 72181600 | 1         | CONNECTING ROD, SIDE MOD.1300       |
| 75073600 | 1         | PUMP KIT 1303 MM "06"               |





**Housing for Black Diaphragm-**

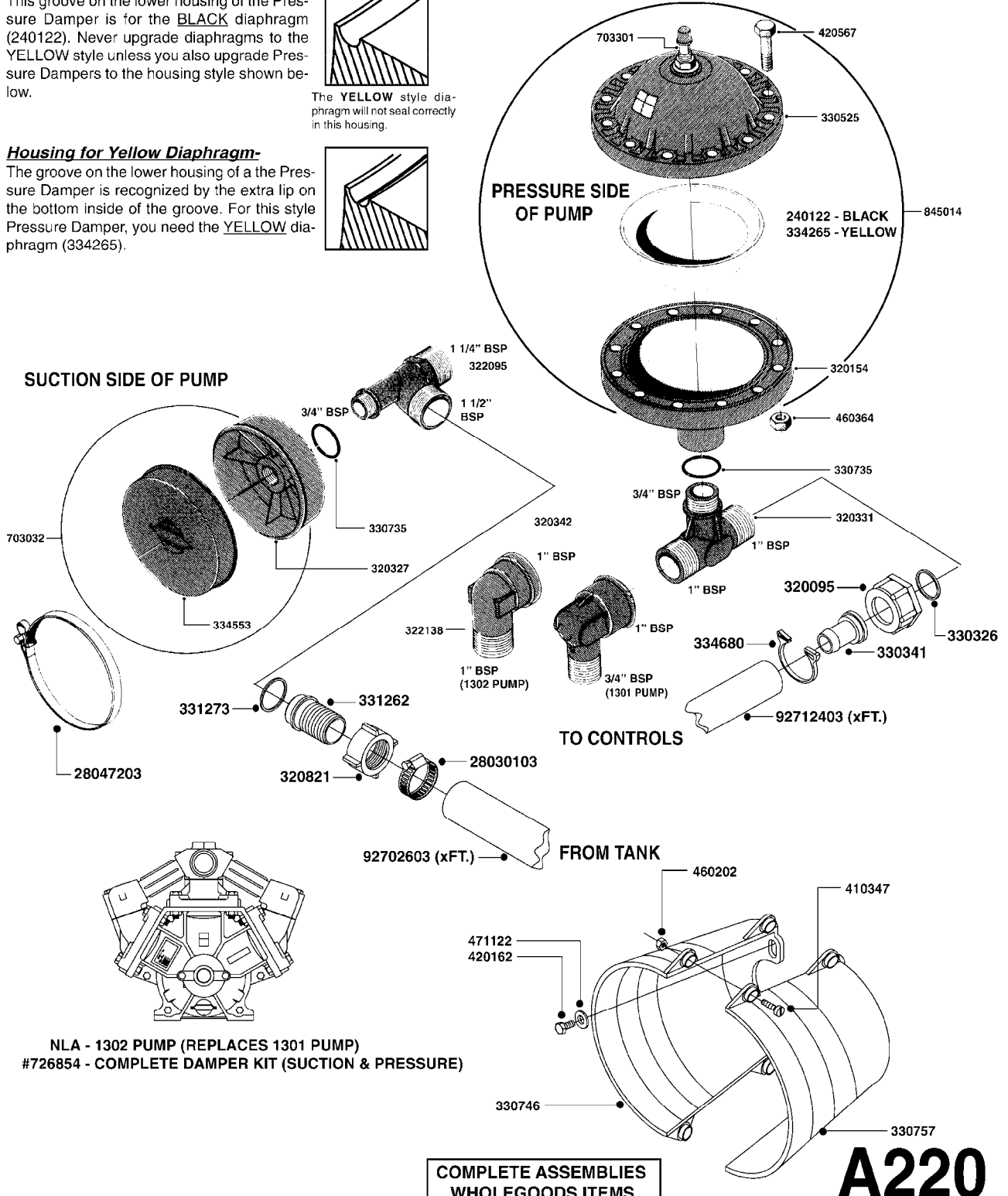
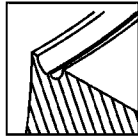
This groove on the lower housing of the Pressure Damper is for the BLACK diaphragm (240122). Never upgrade diaphragms to the YELLOW style unless you also upgrade Pressure Dampers to the housing style shown below.



The YELLOW style diaphragm will not seal correctly in this housing.

**Housing for Yellow Diaphragm-**

The groove on the lower housing of a the Pressure Damper is recognized by the extra lip on the bottom inside of the groove. For this style Pressure Damper, you need the YELLOW diaphragm (334265).



NLA - 1302 PUMP (REPLACES 1301 PUMP)  
#726854 - COMPLETE DAMPER KIT (SUCTION & PRESSURE)

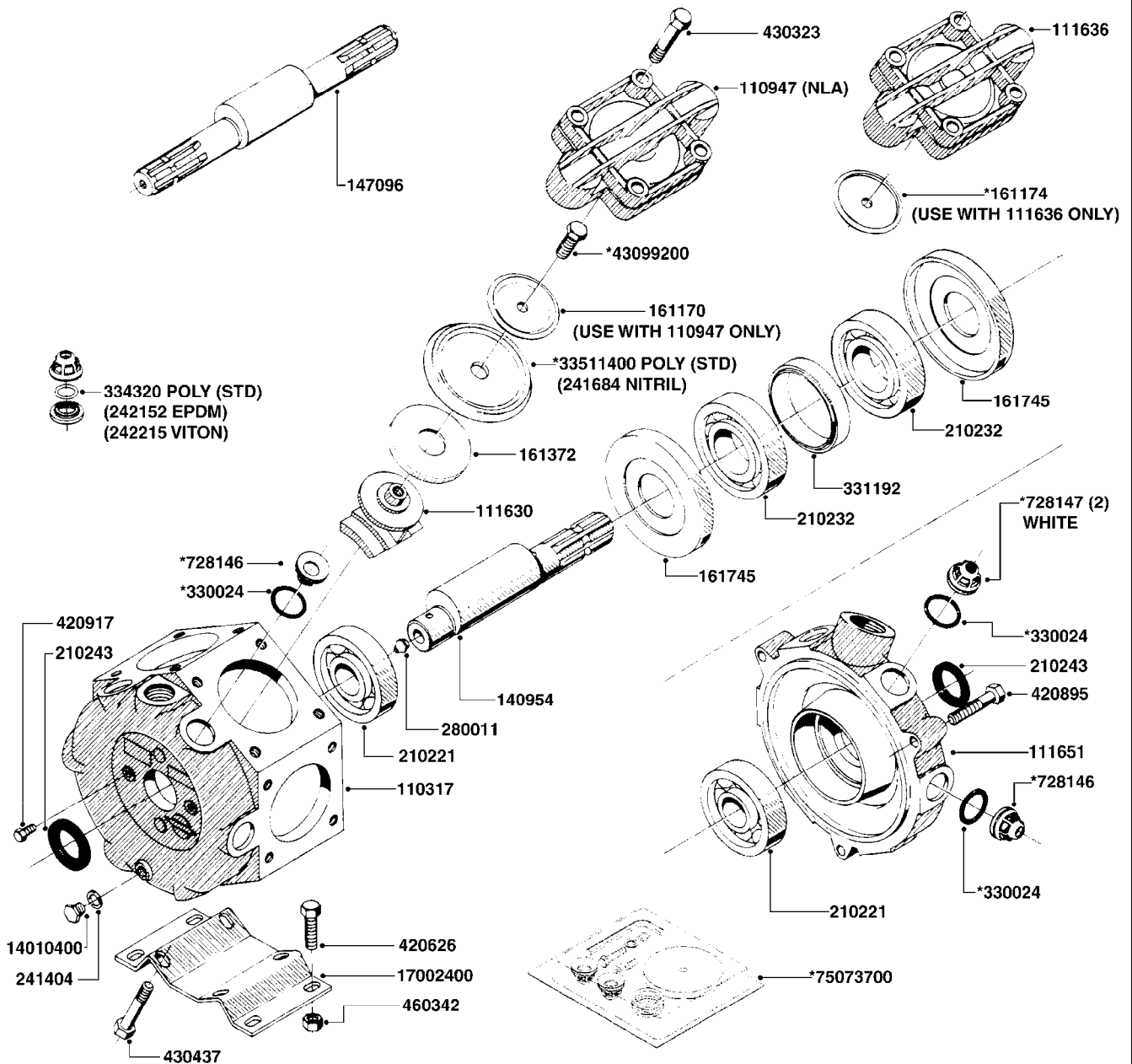


PUMP - 1301/1302 FITTINGS  
A220-HIN, 28:07:14

Page 1

Date 06.04.2015 10:37

| parts-n° | order qty | description                        |
|----------|-----------|------------------------------------|
| 240122   | 1         | DIAPHRAGM FOR PRES.DAMP.(EPDM)     |
| 320095   | 1         | FITT.DK NUT 1" BSP                 |
| 320154   | 1         | AIR BOTTLE, BOTTOM PART            |
| 320327   | 1         | HOUSING F. SUCTION AIR BOTTLE      |
| 320331   | 1         | FITT.DK TEE 1" - 1" - 3/4" BSP     |
| 320342   | 1         | FITT.DK EL 3/4"M X 1"F BSP         |
| 320821   | 1         | FITT.DK NUT 1-1/2" BSP             |
| 322095   | 1         | FITT.DK TEE 1-1/2 X1-1/4 X3/4" BSP |
| 322138   | 1         | FITT.DK ELB 1"M X 1"F BSP          |
| 330326   | 1         | O-RING D30/D24X2 F.1"NUT           |
| 330341   | 1         | FITT.DK HB 1" F. 1" NUT            |
| 330525   | 1         | AIR BOTTLE, TOP HALF               |
| 330735   | 1         | O-RING D30/D26X2                   |
| 330746   | 1         | GUARD PTO LOWER PART SHORT         |
| 330757   | 1         | GUARD PTO UPPER PART SHORT         |
| 331262   | 1         | FITT.DK HB 1-1/2" F. 1-1/2"NUT     |
| 331273   | 1         | O-RING D44/D38X2 F.1-1/2"          |
| 334265   | 1         | DIAPHRAGM F. PRESS DAMP.NITRIL     |
| 334553   | 1         | DIAPHRAGM F.SUCTION AIR BOTTLE     |
| 334680   | 1         | CLAMP HOSE PLASTIC 1"              |
| 410347   | 1         | SCREW M6X20 8.8                    |
| 420162   | 1         | BOLT HEX 8.8 DEL 3/8"x15MM         |
| 420567   | 1         | BOLT HEX 8.8 DEL M8X30 FT          |
| 460202   | 1         | NUT HEX M6                         |
| 460364   | 1         | NUT HEX M8 GALV.                   |
| 471122   | 1         | WASHER D20/D10.5X2 SS              |
| 703032   | 1         | SUCTION AIR BOTTLE 3/4" COMPL.     |
| 703301   | 1         | VALVE FOR AIR BOTTLE               |
| 726854   | 1         | DAMPER KIT 1203/1303               |
| 845014   | 1         | AIR BOTTLE COMPLETE HJ73           |
| 28030103 | 1         | CLAMP HOSE GEAR P5/4-S1.5"6724     |
| 28047203 | 1         | CLAMP HOSE GEAR 60 X 80 6756       |
| 92702603 | 1         | HOSE PVC SUCT GRAY 1-1/2"          |
| 92712403 | 1         | HOSE R X1" X300PSI WP X0012"       |



**COMPLETE PUMP**  
(NLA) REPLACED BY 821643 (363 - 540 RPM)

**COMPLETE ASSEMBLIES**  
**WHOLEGOODS ITEMS**

# A230

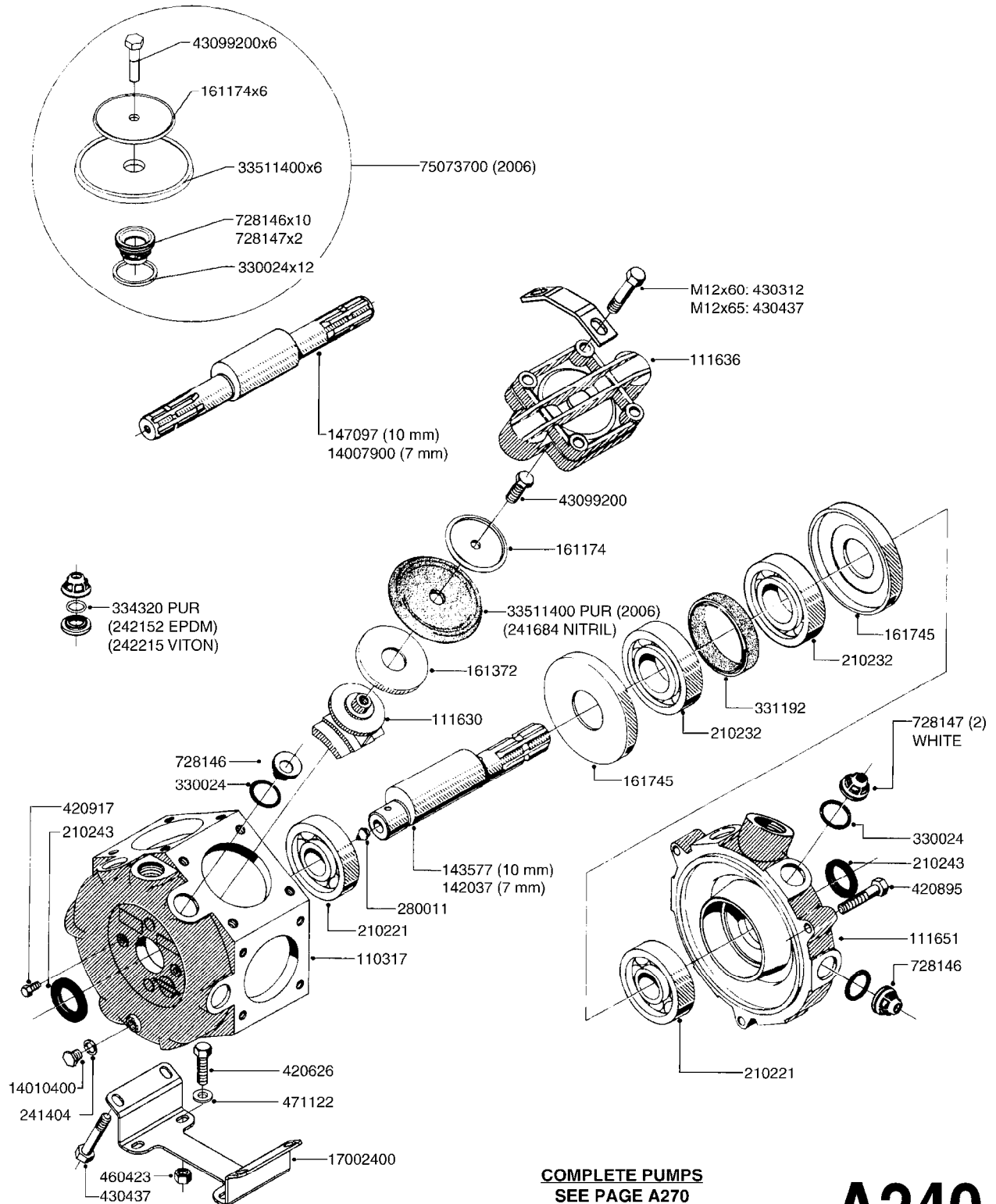


PUMP - 361 W/MOUNTING BASE  
A230-HIN, 15:04:14

Page 1

Date 06.04.2015 10:37

| parts-n° | order qty | description                     |
|----------|-----------|---------------------------------|
| 110317   | 1         | PUMP CASING MODEL 360/361 PNTD  |
| 110947   | 1         | VALVE COVER MDL 361 (PAINTED)   |
| 111630   | 1         | CONNECTING ROD F. 363 PUMP      |
| 111636   | 1         | VALVE COVER 363 HEAVY DUTY      |
| 111651   | 1         | CASTING F.363 1.5" PUMP(FRONT)  |
| 140954   | 1         | CRANK SHAFT MODEL 360/361       |
| 147096   | 1         | CRANK SHAFT 361/9.5 THROUGH     |
| 161170   | 1         | DIAPH UPPER DISC, 321/361/363   |
| 161174   | 1         | DIAPHRAGM DISC SS F.363 PUMP    |
| 161372   | 1         | DIAPHRAGM BACKING DISC, 320-361 |
| 161745   | 1         | METAL SPACER F.363/463          |
| 210221   | 1         | BEARING BALL 6407               |
| 210232   | 1         | BEARING BALL 6310               |
| 210243   | 1         | SEAL OIL 35 X 47 X 7            |
| 241404   | 1         | DOWTYSEAL 1/4"                  |
| 241684   | 1         | DIAPHRAGM MODEL 361 NITRIL      |
| 242152   | 1         | O-RING D18.2X3 EPDM             |
| 242215   | 1         | O-RING D18X3 VITON              |
| 280011   | 1         | GREASE NIPPLE 1/8' H TR         |
| 330024   | 1         | O-RING D41,1/D34.5 X 3,5        |
| 331192   | 1         | SPACER, MODEL 361/363           |
| 334320   | 1         | O-RING D18X3 POLYURETHANE       |
| 420626   | 1         | BOLT HEX 8.8 DEL M10X20 FT      |
| 420895   | 1         | BOLT HEX 8.8 RAW M10X60         |
| 420917   | 1         | BOLT HEX 8.8 RAW M8X12 FT       |
| 430323   | 1         | BOLT HEX 8.8 DEL M12X60         |
| 430437   | 1         | BOLT HEX 8.8 RAW M12X65         |
| 460342   | 1         | NUT HEX M10 DEL DIN934          |
| 728146   | 1         | VALVE FOR 361(726890/707932)    |
| 728147   | 1         | VALVE FOR 361 WHITE WITH HOLE   |
| 821643   | 1         | PUMP 363/10 1.5"SUC 540RPM OSP  |
| 14010400 | 1         | PLUG 1/4" BSP                   |
| 17002400 | 1         | FOOT F/363 PUMP (PAINTED)       |
| 33511400 | 1         | DIAPHRAGM 361/363 pur 2006      |
| 43099200 | 1         | BOLT HEX SS M12 X 30 DIN933 A4  |
| 75073700 | 1         | PUMP KIT 361/363 "06"           |



COMPLETE PUMPS  
SEE PAGE A270

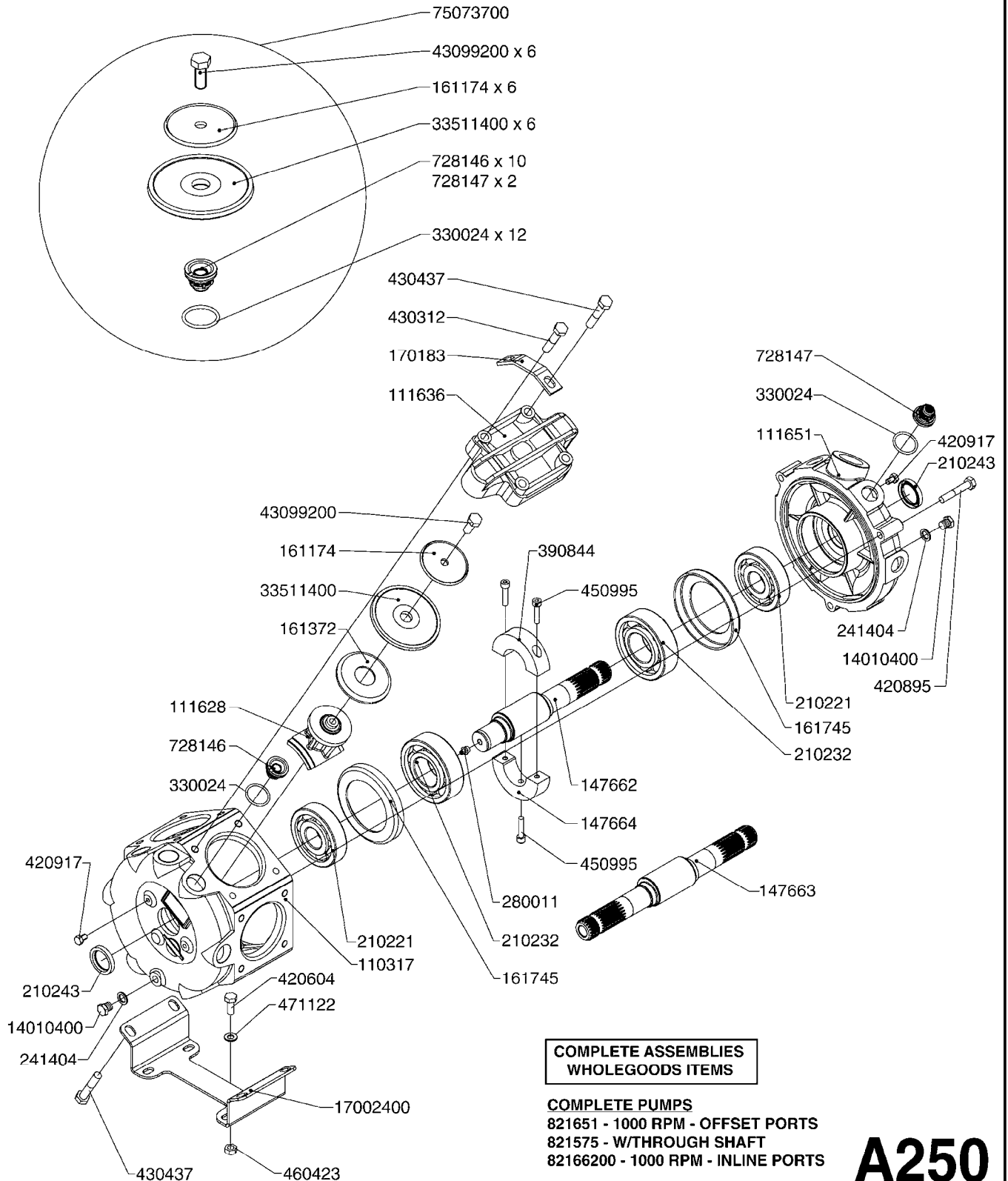
**A240**



PUMP - 363 W/MOUNTING BASE  
A240-HIN, 01:12:11

Page 1  
Date 06.04.2015 10:37

| parts-n° | order qty | description                    |
|----------|-----------|--------------------------------|
| 110317   | 1         | PUMP CASING MODEL 360/361 PNTD |
| 111630   | 1         | CONNECTING ROD F. 363 PUMP     |
| 111636   | 1         | VALVE COVER 363 HEAVY DUTY     |
| 111651   | 1         | CASTING F.363 1.5" PUMP(FRONT) |
| 142037   | 1         | CRANK SHAFT 361-20             |
| 143577   | 1         | CRANK SHAFT F.363/462/463-10mm |
| 147097   | 1         | CRANK SHAFT 363-463/10 THROUGH |
| 161174   | 1         | DIAPHRAGM DISC SS F.363 PUMP   |
| 161372   | 1         | DIAPHRAGM BACKING DISC,320-361 |
| 161745   | 1         | METAL SPACER F.363/463         |
| 210221   | 1         | BEARING BALL 6407              |
| 210232   | 1         | BEARING BALL 6310              |
| 210243   | 1         | SEAL OIL 35 X 47 X 7           |
| 241404   | 1         | DOWTYSEAL 1/4"                 |
| 241684   | 1         | DIAPHRAGM MODEL 361 NITRIL     |
| 242152   | 1         | O-RING D18.2X3 EPDM            |
| 242215   | 1         | O-RING D18X3 VITON             |
| 280011   | 1         | GREASE NIPPLE 1/8" H TR        |
| 330024   | 1         | O-RING D41,1/D34.5 X 3,5       |
| 331192   | 1         | SPACER, MODEL 361/363          |
| 334320   | 1         | O-RING D18X3 POLYURETHANE      |
| 420626   | 1         | BOLT HEX 8.8 DEL M10X20 FT     |
| 420895   | 1         | BOLT HEX 8.8 RAW M10X60        |
| 420917   | 1         | BOLT HEX 8.8 RAW M8X12 FT      |
| 430312   | 1         | BOLT HEX 8.8 RAW M12X60        |
| 430437   | 1         | BOLT HEX 8.8 RAW M12X65        |
| 460423   | 1         | NUT HEX M10X1.5 LOCK           |
| 471122   | 1         | WASHER D20/D10.5X2 SS          |
| 728146   | 1         | VALVE FOR 361(726890/707932)   |
| 728147   | 1         | VALVE FOR 361 WHITE WITH HOLE  |
| 14007900 | 1         | CRANK 363/462/463-7mm 540/THRU |
| 14010400 | 1         | PLUG 1/4" BSP                  |
| 17002400 | 1         | FOOT F/363 PUMP (PAINTED)      |
| 33511400 | 1         | DIAPHRAGM 361/363 pur 2006     |
| 43099200 | 1         | BOLT HEX SS M12 X 30 DIN933 A4 |
| 75073700 | 1         | PUMP KIT 361/363 "06"          |





PUMP - 363/1000 RPM W/MOUNTING  
A250-HIN, 01:12:11

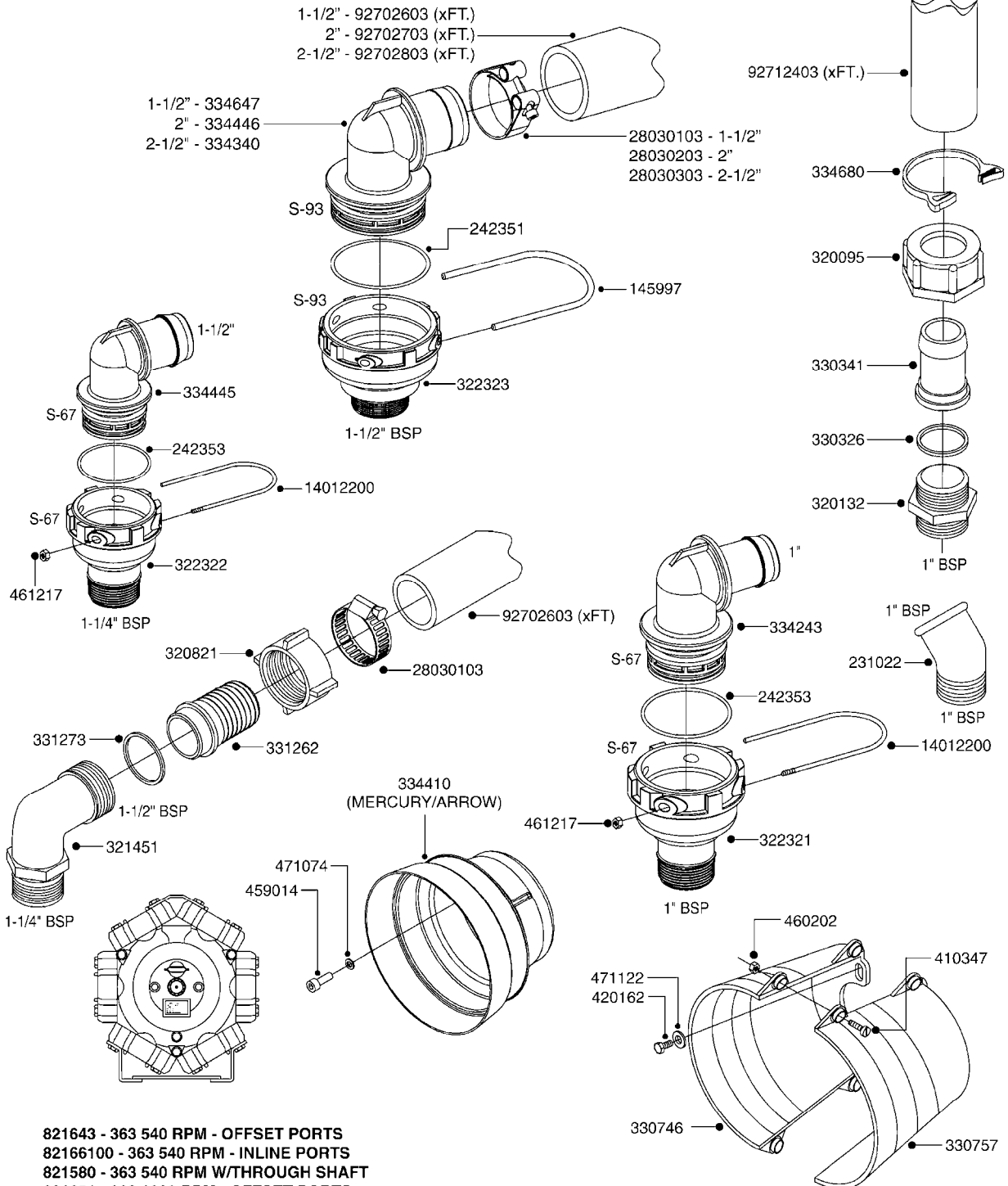
| parts-n° | order qty | description                       |
|----------|-----------|-----------------------------------|
| 110317   | 1         | PUMP CASING MODEL 360/361 PNTD    |
| 111628   | 1         | CONNECTING ROD 363/5.5MM          |
| 111636   | 1         | VALVE COVER 363 HEAVY DUTY        |
| 111651   | 1         | CASTING F.363 1.5" PUMP(FRONT)    |
| 147662   | 1         | CRANK SHAFT F.363/463-5.5MM       |
| 147663   | 1         | CRANK SHAFT 363/463-5.5 THROUG    |
| 147664   | 1         | COUNTERBALANCE 363/463 WEIGHT     |
| 161174   | 1         | DIAPHRAGM DISC SS F.363 PUMP      |
| 161372   | 1         | DIAPHRAGM BACKING DISC,320-361    |
| 161745   | 1         | METAL SPACER F.363/463            |
| 170183   | 1         | LIFT STRAP F.PUMP 360/361/462     |
| 210221   | 1         | BEARING BALL 6407                 |
| 210232   | 1         | BEARING BALL 6310                 |
| 210243   | 1         | SEAL OIL 35 X 47 X 7              |
| 241404   | 1         | DOWTYSEAL 1/4"                    |
| 280011   | 1         | GREASE NIPPLE 1/8' H TR           |
| 330024   | 1         | O-RING D41,1/D34.5 X 3,5          |
| 390844   | 1         | COUNTERBALANCE 363/463 POM        |
| 420604   | 1         | BOLT HEX 8.8 DEL M10X25 FT DIN933 |
| 420895   | 1         | BOLT HEX 8.8 RAW M10X60           |
| 420917   | 1         | BOLT HEX 8.8 RAW M8X12 FT         |
| 430312   | 1         | BOLT HEX 8.8 RAW M12X60           |
| 430437   | 1         | BOLT HEX 8.8 RAW M12X65           |
| 450995   | 1         | BOLT ALLEN M8X30 DIN 912 RAW      |
| 460423   | 1         | NUT HEX M10X1.5 LOCK              |
| 471122   | 1         | WASHER D20/D10.5X2 SS             |
| 728146   | 1         | VALVE FOR 361(726890/707932)      |
| 728147   | 1         | VALVE FOR 361 WHITE WITH HOLE     |
| 821575   | 1         | PUMP 363/5.5 THROUGH SHAFT        |
| 821651   | 1         | PUMP 363/5.5/1000 OSP             |
| 14010400 | 1         | PLUG 1/4" BSP                     |
| 17002400 | 1         | FOOT F/363 PUMP (PAINTED)         |
| 33511400 | 1         | DIAPHRAGM 361/363 pur 2006        |
| 43099200 | 1         | BOLT HEX SS M12 X 30 DIN933 A4    |
| 75073700 | 1         | PUMP KIT 361/363 "06"             |
| 82166200 | 1         | PUMP 363/5.5 1.5"SUC 1000RPM      |





**SUCTION SIDE OF PUMP**

**PRESSURE SIDE OF PUMP**



- 821643 - 363 540 RPM - OFFSET PORTS
- 82166100 - 363 540 RPM - INLINE PORTS
- 821580 - 363 540 RPM W/THROUGH SHAFT
- 821651 - 363 1000 RPM - OFFSET PORTS
- 82166200 - 363 1000 RPM - INLINE PORTS
- 821575 - 363 1000 RPM W/THROUGH SHAFT

**COMPLETE ASSEMBLIES  
WHOLEGOODS ITEMS**

**A270**



PUMP - 361/363 FITTINGS  
A270-HIN, 01:12:11

Page 1

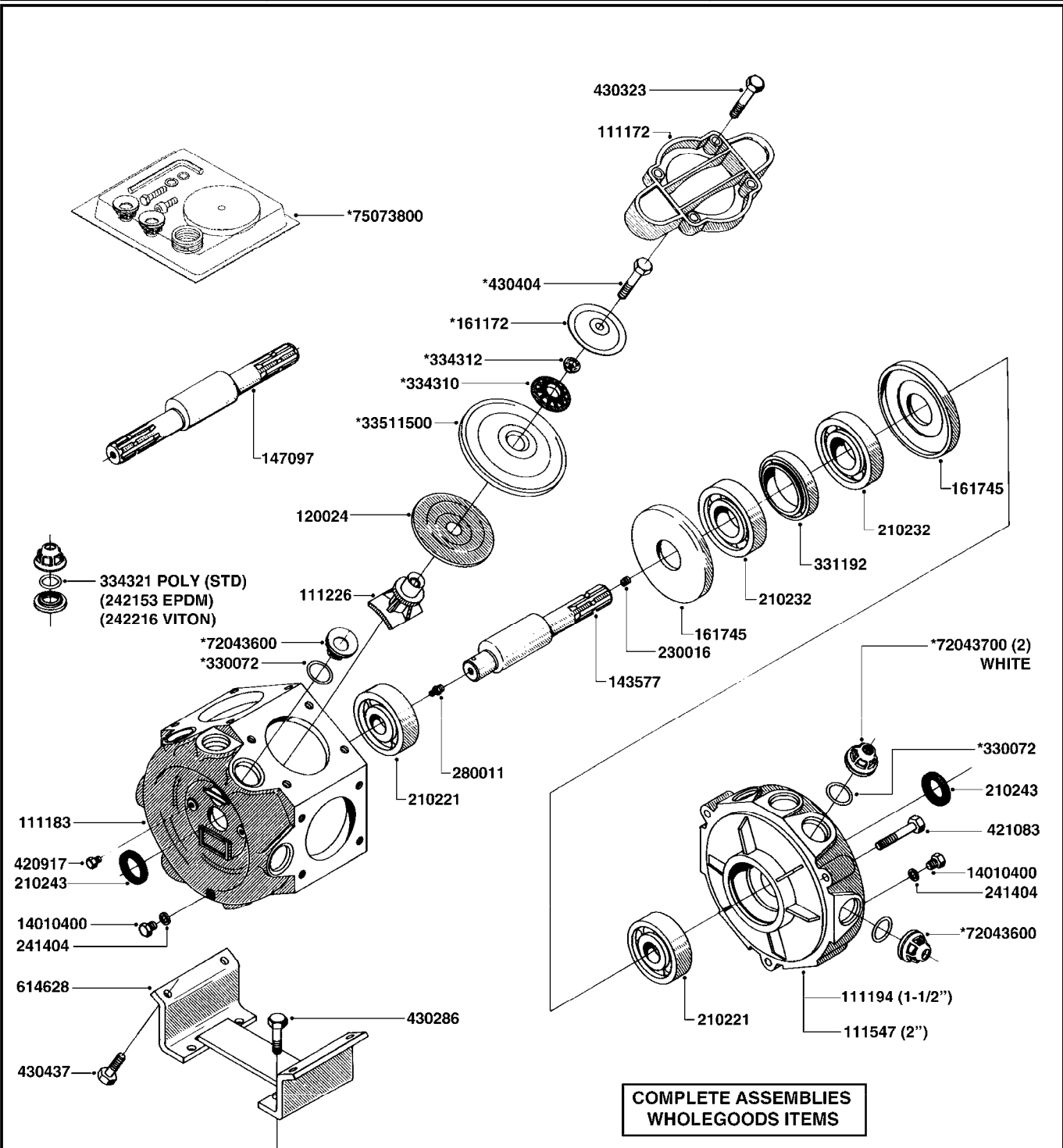
Date 06.04.2015 10:37

| parts-n° | order qty | description                    |
|----------|-----------|--------------------------------|
| 145997   | 1         | FITT.DK S-93 FORK              |
| 231022   | 1         | FITT.DK ELB. 1' BSP GF 121     |
| 242351   | 1         | O-RING D69.5X3.0 VITON F.S-93  |
| 242353   | 1         | O-RING D44.2X3.0 VITON F.S-67  |
| 320095   | 1         | FITT.DK NUT 1" BSP             |
| 320132   | 1         | FITT.DK HN 1" BSP              |
| 320821   | 1         | FITT.DK NUT 1-1/2" BSP         |
| 321451   | 1         | FITT.DK ELB.1-1/2 X1-1/4 80DEG |
| 322321   | 1         | FITT.DK S-67 X 1"BSP MALE      |
| 322322   | 1         | FITT.DK S-67 X 1-1/4"BSP MALE  |
| 322323   | 1         | FITT.DK S-93 X 1-1/2"BSP MALE  |
| 330326   | 1         | O-RING D30/D24X2 F.1"NUT       |
| 330341   | 1         | FITT.DK HB 1" F. 1" NUT        |
| 330746   | 1         | GUARD PTO LOWER PART SHORT     |
| 330757   | 1         | GUARD PTO UPPER PART SHORT     |
| 331262   | 1         | FITT.DK HB 1-1/2" F. 1-1/2"NUT |
| 331273   | 1         | O-RING D44/D38X2 F.1-1/2"      |
| 334243   | 1         | FITT.DK S-67 ELB.1"            |
| 334340   | 1         | FITT.DK S-93 ELBOW 2.5"        |
| 334410   | 1         | PROTECTION GUARD               |
| 334445   | 1         | FITT.DK S-67 ELB.1-1/2"        |
| 334446   | 1         | FITT.DK S-93 ELB.2" PVC        |
| 334647   | 1         | FITT.DK S93 ELB 1-1/2" 90 PVC  |
| 334680   | 1         | CLAMP HOSE PLASTIC 1"          |
| 410347   | 1         | SCREW M6X20 8.8                |
| 420162   | 1         | BOLT HEX 8.8 DEL 3/8"x15MM     |
| 459014   | 1         | ALLEN SCREW M8 X 15 GALV.DIN93 |
| 460202   | 1         | NUT HEX M6                     |
| 461217   | 1         | NUT HEX M5 LOCK                |
| 471074   | 1         | WASHER M8 ELZ                  |
| 471122   | 1         | WASHER D20/D10.5X2 SS          |
| 821575   | 1         | PUMP 363/5.5 THROUGH SHAFT     |
| 821580   | 1         | PUMP 363/10 THROUGH SHAFT      |
| 821643   | 1         | PUMP 363/10 1.5"SUC 540RPM OSP |
| 821651   | 1         | PUMP 363/5.5/1000 OSP          |
| 14012200 | 1         | FITT.DK S-67 FORK W/M5 THREADS |
| 28030103 | 1         | CLAMP HOSE GEAR P5/4-S1.5"6724 |
| 28030203 | 1         | CLAMP HOSE T-BOLT S2" 235-67   |
| 28030303 | 1         | CLAMP HOSE T-BOLT S2.5" 235-76 |
| 82166100 | 1         | PUMP 363/10 1.5"SUC 540RPM     |
| 82166200 | 1         | PUMP 363/5.5 1.5"SUC 1000RPM   |
| 92702603 | 1         | HOSE PVC SUCT GRAY 1-1/2"      |
| 92702703 | 1         | HOSE PVC SUCT GRAY 2"          |
| 92702803 | 1         | SUGE SLANGE PVC GRÅ 2-1/2"     |
| 92712403 | 1         | HOSE R X1" X300PSI WP X0012"   |



PUMP - 462 W/MOUNTING BASE  
A290-HIN, 08:11:11

Page 0  
Date 06.04.2015 10:37



COMPLETE ASSEMBLIES  
WHOLEGOODS ITEMS

COMPLETE PUMP  
(NLA) REPLACED BY 821649 (463- 540 RPM)

# A290



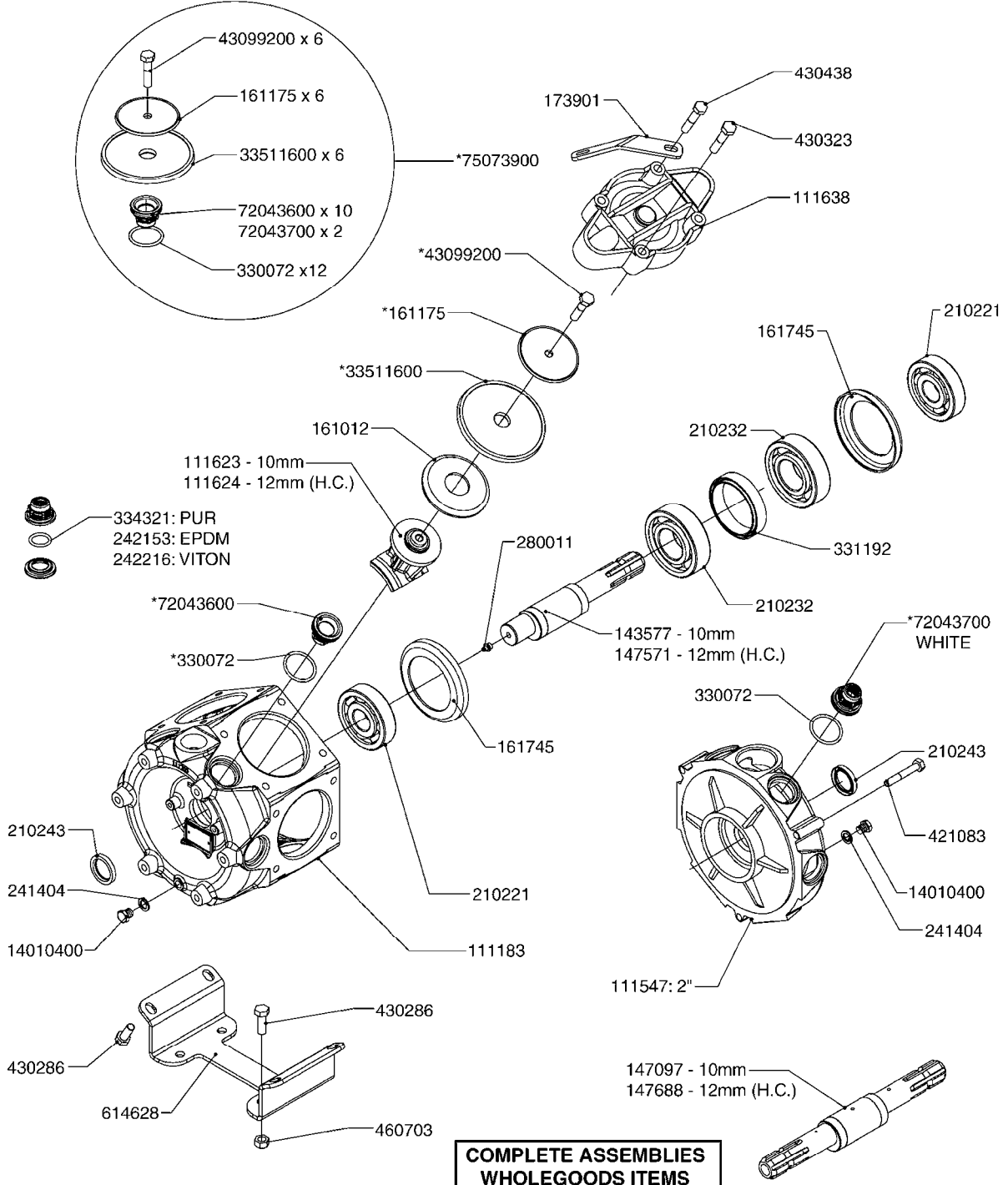
PUMP - 462 W/MOUNTING BASE  
A290-HIN, 08:11:11

Page 1  
Date 06.04.2015 10:37

| parts-n° | order qty | description                     |
|----------|-----------|---------------------------------|
| 111172   | 1         | VALVE CHAMBER 460 (PAINTED)     |
| 111183   | 1         | PUMP CASTING 460-463 (PAINTED)  |
| 111194   | 1         | PUMP CASTING FT.460 (PAINTED)   |
| 111226   | 1         | CONNECTING ROD MODEL 460        |
| 111547   | 1         | PUMP CASTING 460-463-2' (PAINT) |
| 120024   | 1         | DIAPHRAGM BACK DISC 1200-1300   |
| 143577   | 1         | CRANK SHAFT F.363/462/463-10mm  |
| 147097   | 1         | CRANK SHAFT 363-463/10 THROUGH  |
| 161172   | 1         | DIAPHRAGM DISC F. 1203/1303     |
| 161745   | 1         | METAL SPACER F.363/463          |
| 210221   | 1         | BEARING BALL 6407               |
| 210232   | 1         | BEARING BALL 6310               |
| 210243   | 1         | SEAL OIL 35 X 47 X 7            |
| 230016   | 1         | PLUG 1/8' BSP TYPE P            |
| 241404   | 1         | DOWTYSEAL 1/4"                  |
| 242153   | 1         | O-RING D26X4 EPDM               |
| 242216   | 1         | O-RING VITON F/1202/1302/462    |
| 280011   | 1         | GREASE NIPPLE 1/8' H TR         |
| 330072   | 1         | O-RING D53.5/D45.5X4            |
| 331192   | 1         | SPACER, MODEL 361/363           |
| 334310   | 1         | NYLON WASHER 1202/1302/462      |
| 334312   | 1         | PLASTIC SPACER F/462            |
| 334321   | 1         | O-RING POLY. 34.0x26.0x4.0      |
| 420917   | 1         | BOLT HEX 8.8 RAW M8X12 FT       |
| 421083   | 1         | BOLT HEX 8.8 DEL M10X65         |
| 430286   | 1         | BOLT HEX 8.8 DEL M12X30 FT      |
| 430323   | 1         | BOLT HEX 8.8 DEL M12X60         |
| 430404   | 1         | BOLT HEX 8.8 DEL M12X50         |
| 430437   | 1         | BOLT HEX 8.8 RAW M12X65         |
| 460703   | 1         | NUT HEX M12X1.75 LOCK DIN985    |
| 614628   | 1         | FOOT FOR PUMP 460-463 PAINTED   |
| 821649   | 1         | PUMP 463/12/540 OFFSET PORTS    |
| 14010400 | 1         | PLUG 1/4" BSP                   |
| 33511500 | 1         | DIAPHRAGM 462 PUR 2006          |
| 72043600 | 1         | VALVE FOR 462/463               |
| 72043700 | 1         | VALVE FOR 462/463 W.VENT HOLE   |
| 75073800 | 1         | PUMP KIT 461/462 "06"           |



**PUMP REPAIR KIT**



**COMPLETE ASSEMBLIES  
WHOLEGOODS ITEMS**

**COMPLETE PUMPS**  
821587 - 463/10 2" W/THROUGH SHAFT (540 RPM)  
821649 - 463/12 2" (540 RPM H.C. OFFSET PORTS)  
82166300 - 463/12 2" (540 RPM H.C. INLINE PORTS)

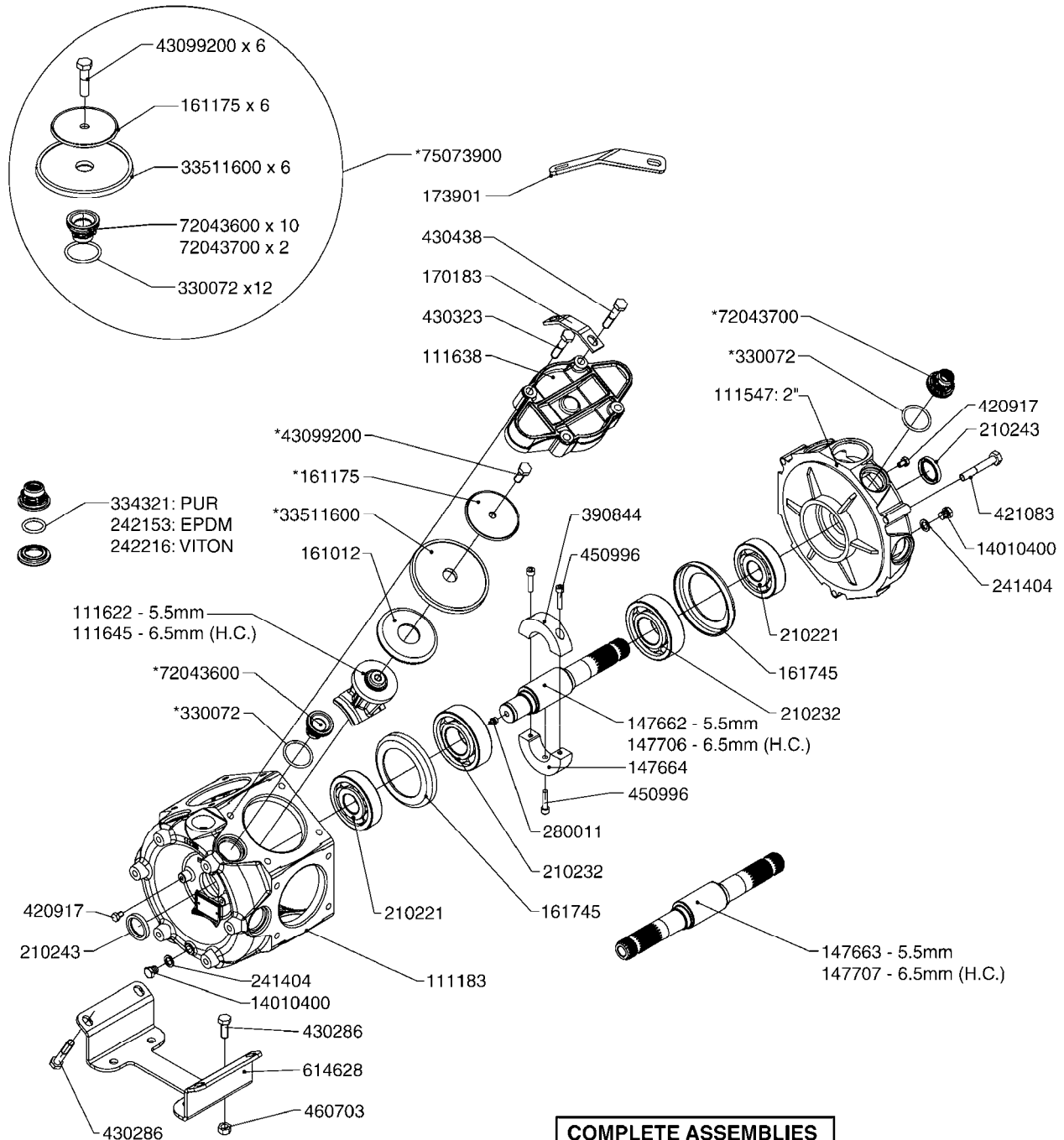
**A300**



PUMP - 463 W/ MOUNTING BASE  
A300-HIN, 01:12:11

Page 1  
Date 06.04.2015 10:37

| parts-n° | order qty | description                     |
|----------|-----------|---------------------------------|
| 111183   | 1         | PUMP CASTING 460-463 (PAINTED)  |
| 111547   | 1         | PUMP CASTING 460-463-2' (PAINT) |
| 111623   | 1         | CONNECTING ROD 463/10MM         |
| 111624   | 1         | CONNECTING ROD 463/12MM         |
| 111638   | 1         | VALVE COVER 463 HC+1000 VERS.   |
| 143577   | 1         | CRANK SHAFT F.363/462/463-10mm  |
| 147097   | 1         | CRANK SHAFT 363-463/10 THROUGH  |
| 147571   | 1         | CRANK SHAFT F.463-12mm          |
| 147688   | 1         | CRANK SHAFT 462/12 THROUGH      |
| 161012   | 1         | DIAPHRAGM BACKING DISC F. 463   |
| 161175   | 1         | DIAPHRAGM DISC F. 463 PUMP      |
| 161745   | 1         | METAL SPACER F.363/463          |
| 173901   | 1         | LIFT STRAP F.PUMP 463           |
| 210221   | 1         | BEARING BALL 6407               |
| 210232   | 1         | BEARING BALL 6310               |
| 210243   | 1         | SEAL OIL 35 X 47 X 7            |
| 241404   | 1         | DOWTYSEAL 1/4"                  |
| 242153   | 1         | O-RING D26X4 EPDM               |
| 242216   | 1         | O-RING VITON F/1202/1302/462    |
| 280011   | 1         | GREASE NIPPLE 1/8' H TR         |
| 330072   | 1         | O-RING D53.5/D45.5X4            |
| 331192   | 1         | SPACER, MODEL 361/363           |
| 334321   | 1         | O-RING POLY. 34.0x26.0x4.0      |
| 421083   | 1         | BOLT HEX 8.8 DEL M10X65         |
| 430286   | 1         | BOLT HEX 8.8 DEL M12X30 FT      |
| 430323   | 1         | BOLT HEX 8.8 DEL M12X60         |
| 430438   | 1         | BOLT HEX 8.8 DEL M12X65         |
| 460703   | 1         | NUT HEX M12X1.75 LOCK DIN985    |
| 614628   | 1         | FOOT FOR PUMP 460-463 PAINTED   |
| 821587   | 1         | PUMP 463/10 THROUGH SHAFT TWNF  |
| 821649   | 1         | PUMP 463/12/540 OFFSET PORTS    |
| 14010400 | 1         | PLUG 1/4" BSP                   |
| 33511600 | 1         | DIAPHRAGM F. 463 PUMP POLY.'06  |
| 43099200 | 1         | BOLT HEX SS M12 X 30 DIN933 A4  |
| 72043600 | 1         | VALVE FOR 462/463               |
| 72043700 | 1         | VALVE FOR 462/463 W.VENT HOLE   |
| 75073900 | 1         | PUMP KIT 463 "06"               |
| 82166300 | 1         | PUMP 463/12 2"SUC 540RPM        |



**COMPLETE ASSEMBLIES  
WHOLEGOODS ITEMS**

**COMPLETE PUMPS**

- 821585 - 463/5.5 W/THROUGH SHAFT (1000 RPM)
- 821587 - 463/10 W/THROUGH SHAFT (540 RPM)
- 821649 - 463/12 (540 RPM H.C. OFFSET PORTS)
- 821650 - 463/6.5 (1000 RPM H.C. OFFSET PORTS)
- 82166400 - 463/6.5 (1000 RPM H.C. INLINE PORTS)
- 72293300 - 463/6.5 W/THROUGH SHAFT (1000 RPM)

**A310**



PUMP - 463/1000 RPM W/MOUNTING  
A310-HIN, 10:03:14

Page 1

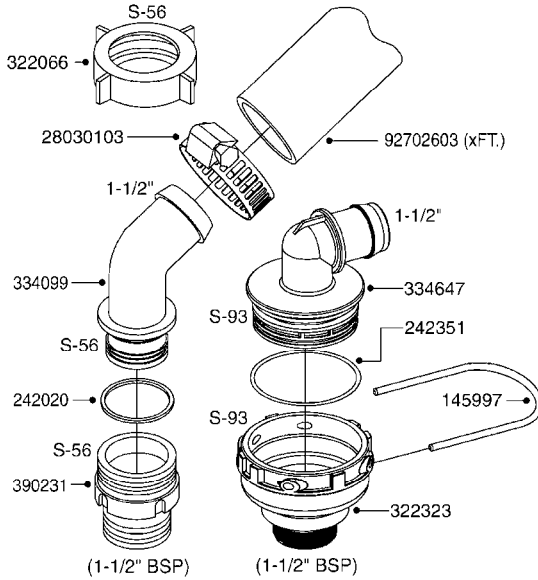
Date 06.04.2015 10:37

| parts-n° | order qty | description                     |
|----------|-----------|---------------------------------|
| 111183   | 1         | PUMP CASTING 460-463 (PAINTED)  |
| 111547   | 1         | PUMP CASTING 460-463-2' (PAINT) |
| 111622   | 1         | CONNECTING ROD 463/5.5MM        |
| 111638   | 1         | VALVE COVER 463 HC+1000 VERS.   |
| 111645   | 1         | CONNECTING ROD 463/6.5MM        |
| 147662   | 1         | CRANK SHAFT F.363/463-5.5MM     |
| 147663   | 1         | CRANK SHAFT 363/463-5.5 THROUG  |
| 147664   | 1         | COUNTERBALANCE 363/463 WEIGHT   |
| 147706   | 1         | CRANK SHAFT F.363/463-6.5MM     |
| 147707   | 1         | CRANK SHAFT 363/463-6.5 THROUG  |
| 161012   | 1         | DIAPHRAGM BACKING DISC F. 463   |
| 161175   | 1         | DIAPHRAGM DISC F. 463 PUMP      |
| 161745   | 1         | METAL SPACER F.363/463          |
| 170183   | 1         | LIFT STRAP F.PUMP 360/361/462   |
| 173901   | 1         | LIFT STRAP F.PUMP 463           |
| 210221   | 1         | BEARING BALL 6407               |
| 210232   | 1         | BEARING BALL 6310               |
| 210243   | 1         | SEAL OIL 35 X 47 X 7            |
| 241404   | 1         | DOWTYSEAL 1/4"                  |
| 242153   | 1         | O-RING D26X4 EPDM               |
| 242216   | 1         | O-RING VITON F/1202/1302/462    |
| 280011   | 1         | GREASE NIPPLE 1/8' H TR         |
| 330072   | 1         | O-RING D53.5/D45.5X4            |
| 334321   | 1         | O-RING POLY. 34.0x26.0x4.0      |
| 390844   | 1         | COUNTERBALANCE 363/463 POM      |
| 420917   | 1         | BOLT HEX 8.8 RAW M8X12 FT       |
| 421083   | 1         | BOLT HEX 8.8 DEL M10X65         |
| 430286   | 1         | BOLT HEX 8.8 DEL M12X30 FT      |
| 430323   | 1         | BOLT HEX 8.8 DEL M12X60         |
| 430438   | 1         | BOLT HEX 8.8 DEL M12X65         |
| 450996   | 1         | BOLT ALLEN M8X35 DIN 912 RAW    |
| 460703   | 1         | NUT HEX M12X1.75 LOCK DIN985    |
| 614628   | 1         | FOOT FOR PUMP 460-463 PAINTED   |
| 821585   | 1         | PUMP 463/5.5 THRGH SHAFT 1000R  |
| 821587   | 1         | PUMP 463/10 THROUGH SHAFT TWNF  |
| 821649   | 1         | PUMP 463/12/540 OFFSET PORTS    |
| 821650   | 1         | PUMP 463/6.5/1000 OFFSET PORTS  |
| 14010400 | 1         | PLUG 1/4" BSP                   |
| 33511600 | 1         | DIAPHRAGM F. 463 PUMP POLY.'06  |
| 43099200 | 1         | BOLT HEX SS M12 X 30 DIN933 A4  |
| 72043600 | 1         | VALVE FOR 462/463               |
| 72043700 | 1         | VALVE FOR 462/463 W.VENT HOLE   |
| 72293300 | 1         | PUMP 463/6.5 MED-2-1000-GG      |
| 75073900 | 1         | PUMP KIT 463 "06"               |
| 82166400 | 1         | PUMP 463/6.5 2"SUC 1000RPM      |

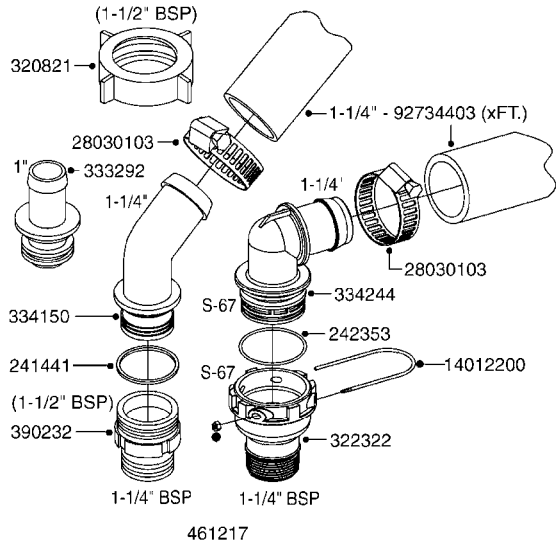




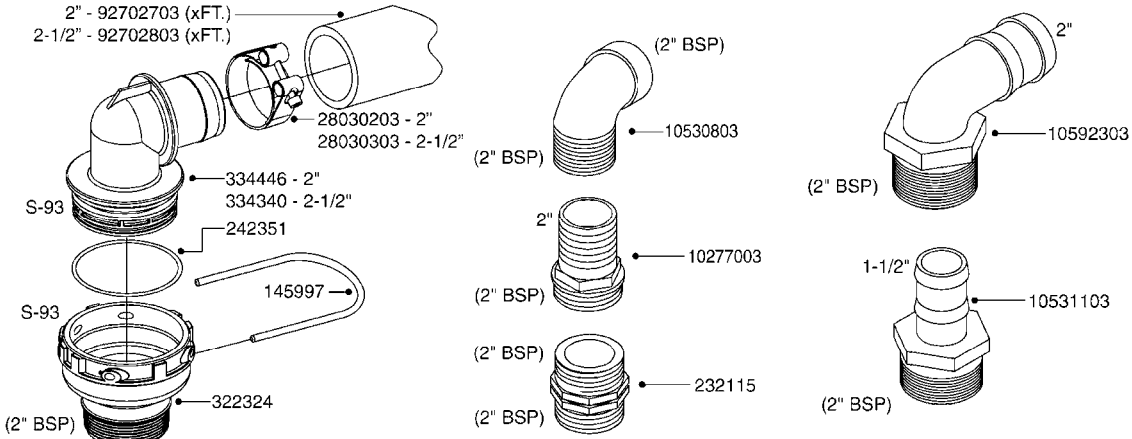
**SUCTION SIDE OF PUMP (WITH 1-1/2" SUCTION PORT)**



**PRESSURE SIDE OF PUMP**

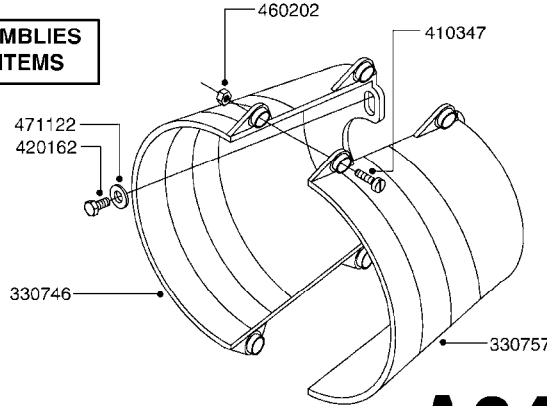


**SUCTION SIDE OF PUMP (WITH 2" SUCTION PORT)**



**COMPLETE ASSEMBLIES  
WHOLEGOODS ITEMS**

- 821585 - 463/5.5 W/THROUGH SHAFT (1000 RPM)
- 821587 - 463/10 W/THROUGH SHAFT (540 RPM)
- 821649 - 463/12 (540 RPM H.C. OFFSET PORTS)
- 821650 - 463/6.5 (1000 RPM H.C. OFFSET PORTS)
- 82166400 - 463/6.5 (1000 RPM H.C. INLINE PORTS)
- 72293300 - 463/6.5 W/THROUGH SHAFT (1000 RPM)



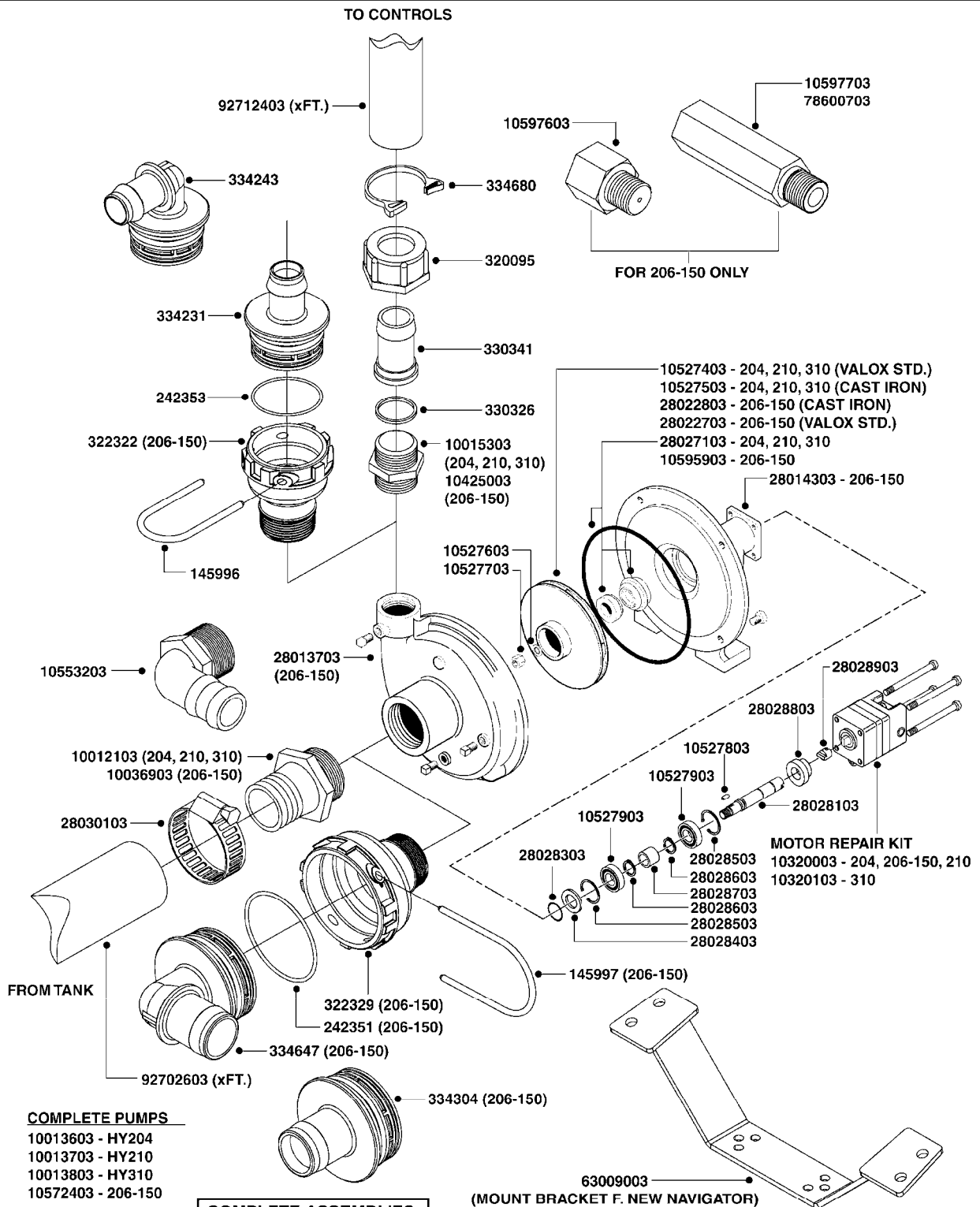
**A340**



PUMP - 460/462/463 FITTINGS  
A340-HIN, 10:03:14

Page 1  
Date 06.04.2015 10:37

| parts-n° | order qty | description                    |
|----------|-----------|--------------------------------|
| 145997   | 1         | FITT.DK S-93 FORK              |
| 232115   | 1         | FITT HEX NIPPLE 2'-2' BSP      |
| 241441   | 1         | O-RING D29.3X3                 |
| 242020   | 1         | O-RING 39.2 X 3 VITON          |
| 242351   | 1         | O-RING D69.5X3.0 VITON F.S-93  |
| 242353   | 1         | O-RING D44.2X3.0 VITON F.S-67  |
| 320821   | 1         | FITT.DK NUT 1-1/2" BSP         |
| 322066   | 1         | FITT.DK S-56 NUT               |
| 322322   | 1         | FITT.DK S-67 X 1-1/4"BSP MALE  |
| 322323   | 1         | FITT.DK S-93 X 1-1/2"BSP MALE  |
| 322324   | 1         | FITT.DK S-93 X 2"BSP MALE      |
| 330746   | 1         | GUARD PTO LOWER PART SHORT     |
| 330757   | 1         | GUARD PTO UPPER PART SHORT     |
| 333292   | 1         | FITT.DK HB 1"O'RING F.1-1/2"   |
| 334099   | 1         | FITT.DK S-61 ELB.1-1/2"110 DEG |
| 334150   | 1         | FITT.DK HB 1-1/4" 110 F.1-1/2" |
| 334244   | 1         | FITT.DK S-67 ELB.1-1/4"        |
| 334340   | 1         | FITT.DK S-93 ELBOW 2.5"        |
| 334446   | 1         | FITT.DK S-93 ELB.2" PVC        |
| 334647   | 1         | FITT.DK S93 ELB 1-1/2" 90 PVC  |
| 390231   | 1         | FITT.DK NIPPLE 1-1/2 X S56     |
| 390232   | 1         | FITT.DK HN 1-1/2' X 1-1/4' BSP |
| 410347   | 1         | SCREW M6X20 8.8                |
| 420162   | 1         | BOLT HEX 8.8 DEL 3/8"x15MM     |
| 460202   | 1         | NUT HEX M6                     |
| 461217   | 1         | NUT HEX M5 LOCK                |
| 471122   | 1         | WASHER D20/D10.5X2 SS          |
| 821585   | 1         | PUMP 463/5.5 THRGH SHAFT 1000R |
| 821587   | 1         | PUMP 463/10 THROUGH SHAFT TWNF |
| 821649   | 1         | PUMP 463/12/540 OFFSET PORTS   |
| 821650   | 1         | PUMP 463/6.5/1000 OFFSET PORTS |
| 10277003 | 1         | FITT.PO.HB 2.00X2.00 MCPHEE    |
| 10530803 | 1         | FITT.PO.SE 2.00X2.00 45 DEG.   |
| 10531103 | 1         | FITT.PO.HB 2.00"NPT X 1.50"HOS |
| 10592303 | 1         | FITT.PO.HB 2.00X 2.00BSP 90DEG |
| 14012200 | 1         | FITT.DK S-67 FORK W/M5 THREADS |
| 28030103 | 1         | CLAMP HOSE GEAR P5/4-S1.5"6724 |
| 28030203 | 1         | CLAMP HOSE T-BOLT S2" 235-67   |
| 28030303 | 1         | CLAMP HOSE T-BOLT S2.5" 235-76 |
| 72293300 | 1         | PUMP 463/6.5 MED-2-1000-GG     |
| 82166400 | 1         | PUMP 463/6.5 2"SUC 1000RPM     |
| 92702603 | 1         | HOSE PVC SUCT GRAY 1-1/2"      |
| 92702703 | 1         | HOSE PVC SUCT GRAY 2"          |
| 92702803 | 1         | SUGE SLANGE PVC GRÅ 2-1/2"     |
| 92734403 | 1         | HOSE R X5/4" X200PSI WP X0012" |



**COMPLETE PUMPS**  
10013603 - HY204  
10013703 - HY210  
10013803 - HY310  
10572403 - 206-150

**COMPLETE ASSEMBLIES  
WHOLEGOODS ITEMS**

**A430**

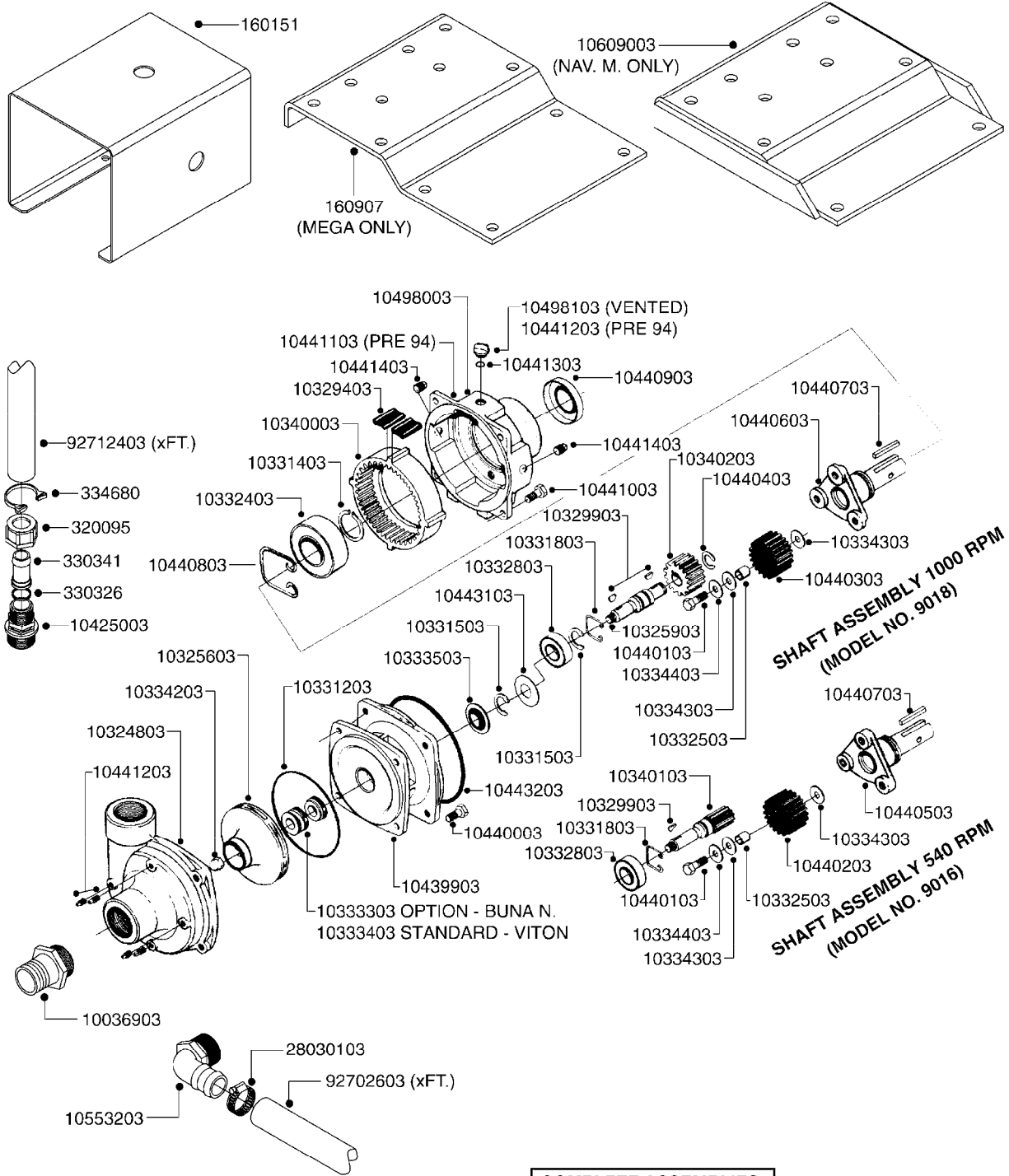


PUMP-204,206-150,210,310 ACE  
A430-HIN, 14:06:12

Page 1

Date 06.04.2015 10:37

| parts-n° | order qty | description                    |
|----------|-----------|--------------------------------|
| 145996   | 1         | FITT.DK S-67 FORK              |
| 145997   | 1         | FITT.DK S-93 FORK              |
| 242351   | 1         | O-RING D69.5X3.0 VITON F.S-93  |
| 242353   | 1         | O-RING D44.2X3.0 VITON F.S-67  |
| 320095   | 1         | FITT.DK NUT 1" BSP             |
| 322322   | 1         | FITT.DK S-67 X 1-1/4"BSP MALE  |
| 322329   | 1         | FITT.DK S-93 X 1-1/2"BSP MALE2 |
| 330326   | 1         | O-RING D30/D24X2 F.1"NUT       |
| 330341   | 1         | FITT.DK HB 1" F. 1" NUT        |
| 334231   | 1         | FITT.DK S-67 STR.1'            |
| 334243   | 1         | FITT.DK S-67 ELB.1"            |
| 334304   | 1         | FITT.DK S-93 STR.1-1/2" PVC    |
| 334647   | 1         | FITT.DK S93 ELB 1-1/2" 90 PVC  |
| 334680   | 1         | CLAMP HOSE PLASTIC 1"          |
| 10012103 | 1         | FITT.PO.HB 1.25X1.50 IMB1012   |
| 10013603 | 1         | PUMP ACE HY 204                |
| 10013703 | 1         | PUMP ACE HY 210                |
| 10013803 | 1         | PUMP ACE HY 310                |
| 10015303 | 1         | FITT.PO.HN 1.00X1.00 M1000     |
| 10036903 | 1         | FITT.PO.HB 1.50X1.50 IMB1212   |
| 10320003 | 1         | MOTOR REPAIRKIT ACE204,206,210 |
| 10320103 | 1         | MOTOR REPAIR KIT ACE 304,310   |
| 10425003 | 1         | FITT.PO.HN 1.25X1.00 MCPHEE    |
| 10527403 | 1         | IMPELLER VALOX F.ACE PUMP      |
| 10527503 | 1         | IMPELLER CASTIRON F.ACE PUMP   |
| 10527603 | 1         | WASHER 3/8' F.ACE PUMP         |
| 10527703 | 1         | NUT HEX NF 3/8 F.ACE PUMP      |
| 10527803 | 1         | KEY 1/8x1/8x1/2'F.ACE PUMP     |
| 10527903 | 1         | BEARING F.ACE PUMP (#40870)    |
| 10553203 | 1         | FITT.PO.EL 1.5X1.5 HB BLACK    |
| 10572403 | 1         | PUMP ACE HY 206 SERIES 150     |
| 10595903 | 1         | REPAIR KIT ACE 206-150         |
| 10597603 | 1         | ORIFACE RESTRICTOR F. ACE 206  |
| 10597703 | 1         | FITT, HYD FLOW FUSE ACE 206OLD |
| 28013703 | 1         | PUMP HOUSING FRONT ACE 206-150 |
| 28014303 | 1         | PUMP HOUSING W.FEET 206-150    |
| 28022703 | 1         | IMPELLER THERMOPLASTIC         |
| 28022803 | 1         | IMPELLER CAST IRON             |
| 28027103 | 1         | REPAIR KIT ACE 204,210,310     |
| 28028103 | 1         | SHAFT 5/8"DIA.1/2"KEYWAY SS    |
| 28028303 | 1         | O-RING, SHAFT SEAL             |
| 28028403 | 1         | SLINGER                        |
| 28028503 | 1         | SNAP RING - INTERNAL           |
| 28028603 | 1         | SNAP RING - EXTERNAL           |
| 28028703 | 1         | SPACER FOR SHAFT               |
| 28028803 | 1         | SEAL SUPPORT SPACER 200 SERIES |
| 28028903 | 1         | COUPLING FOR HYDRAULIC MOTOR   |
| 28030103 | 1         | CLAMP HOSE GEAR P5/4-S1.5"6724 |
| 63009003 | 1         | CENTRIFUGAL PUMP BRACKET       |
| 78600703 | 1         | FITT, HYD FLOW FUSE ACE 206N   |
| 92702603 | 1         | HOSE PVC SUCT GRAY 1-1/2"      |
| 92712403 | 1         | HOSE R X1" X300PSI WP X0012"   |



COMPLETE ASSEMBLIES  
WHOLEGOODS ITEMS

**COMPLETE PUMPS**

- 10012903 - 9016C 540 RPM
- 10013103 - 9018C 1000RPM

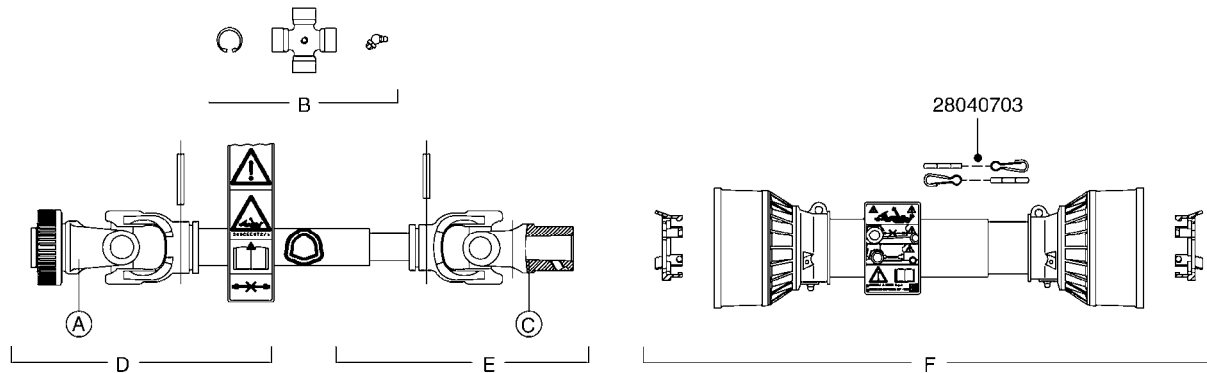
Gear lube requirement: 6fl. oz. 80W90 Oil

# A440



PUMP 9016/9018 HYPRO CENT.  
A440-HIN, 08:12:09

| parts-n° | order qty | description                    |
|----------|-----------|--------------------------------|
| 10012903 | 1         | PUMP HYPRO C9016 540 RPM 90023 |
| 10013103 | 1         | PUMP HYPRO 9018C CENT.1000 RPM |
| 10036903 | 1         | FITT.PO.HB 1.50X1.50 IMB1212   |
| 10324803 | 1         | PUMP CASING                    |
| 10325603 | 1         | IMPELLER NYLON                 |
| 10325903 | 1         | IMPELLER SHAFT                 |
| 10329403 | 1         | CUSHION BUMPER                 |
| 10329903 | 1         | KEY WOODRUFF                   |
| 10331203 | 1         | O-RING                         |
| 10331403 | 1         | RING RETAINING                 |
| 10331503 | 1         | SNAP-RING                      |
| 10331803 | 1         | RING RETAINING                 |
| 10332403 | 1         | BEARING BALL                   |
| 10332503 | 1         | BEARING INNER RACE             |
| 10332803 | 1         | BEARING BALL                   |
| 10333303 | 1         | SEAL KIT F. HYPRO 9016/18 BUNA |
| 10333403 | 1         | SEAL KIT F.HYPRO 9016/18 VITON |
| 10333503 | 1         | BEARING SHIELD & OIL SEAL      |
| 10334203 | 1         | NUT HEX CAP HYPRO PUMP         |
| 10334303 | 1         | WASHER 32OD X 19ID X 2.5TK PLA |
| 10334403 | 1         | WASHER 32OD X13ID X 1.5        |
| 10340003 | 1         | RING GEAR                      |
| 10340103 | 1         | PINION GEARED IMPELLER SHAFT   |
| 10340203 | 1         | SUN GEAR                       |
| 10425003 | 1         | FITT.PO.HN 1.25X1.00 MCPHEE    |
| 10439903 | 1         | MOUNTING FLANGE ADAPTOR        |
| 10440003 | 1         | SCREW HEX HEAD CAP             |
| 10440103 | 1         | SCREW HEX HEAD CAP             |
| 10440203 | 1         | GEAR W BGRS.540 RPM (DRIVER)   |
| 10440303 | 1         | GEAR W BGRS. 1000 RPM (DRIVER) |
| 10440403 | 1         | RING RETAINER HYPRO 1K CENT.   |
| 10440503 | 1         | DRIVER HUB 540 RPM             |
| 10440603 | 1         | DRIVER HUB 1000 RPM            |
| 10440703 | 1         | KEY SQ 1/4"x1-1/2"             |
| 10440803 | 1         | RING RETAINER                  |
| 10440903 | 1         | OIL SEAL                       |
| 10441003 | 1         | SCREW HEX HEAD CAP             |
| 10441103 | 1         | GEAR CASING                    |
| 10441203 | 1         | OIL FILL PLUG                  |
| 10441303 | 1         | O-RING                         |
| 10441403 | 1         | OIL PLUG                       |
| 10443103 | 1         | WASHER SEAL (PAPER)            |
| 10443203 | 1         | O-RING                         |
| 10498003 | 1         | CASTING F.HYPRO 9016/18 (GEAR) |
| 10498103 | 1         | PLUG F.HYPRO GEAR CASTING 9016 |
| 10553203 | 1         | FITT.PO.EL 1.5X1.5 HB BLACK    |
| 10609003 | 1         | PUMP BASE HYPRO NAV.           |
| 160151   | 1         | SHEILD FOR 9016 PUMP ESC       |
| 160907   | 1         | MOUNT PLATE F.CENT.PUMP MEGA   |
| 28030103 | 1         | CLAMP HOSE GEAR P5/4-S1.5"6724 |
| 320095   | 1         | FITT.DK NUT 1" BSP             |
| 330326   | 1         | O-RING D30/D24X2 F.1"NUT       |
| 330341   | 1         | FITT.DK HB 1" F. 1" NUT        |
| 334680   | 1         | CLAMP HOSE PLASTIC 1"          |
| 92702603 | 1         | HOSE PVC SUCT GRAY 1-1/2"      |
| 92712403 | 1         | HOSE R X1" X300PSI WP X0012"   |



| PTO      | TRACTOR             | IMPLEMENT           | LENGTH    | A        | B        | C        | D        | E        | F        |
|----------|---------------------|---------------------|-----------|----------|----------|----------|----------|----------|----------|
| 28020203 | 1-3/4"<br>20-SPLINE | 1-3/8"<br>21-SPLINE | 860/1313  | 28015703 | 28009403 | 28040603 | 28015803 | 28015903 | 28016003 |
| 28020303 | 1-3/8"<br>21-SPLINE | 1-3/8"<br>21-SPLINE | 860/1328  | 28015103 | 28015203 | 28015303 | 28015403 | 28015503 | 28015603 |
| 829445   | 1-3/8"<br>6-SPLINE  | 1-3/8"<br>6-SPLINE  | 810/1219  | 284041   | 289045   | 289041   | 28016703 | 28016803 | 289050   |
| 829446   | 1-3/8"<br>6-SPLINE  | 1-3/8"<br>6-SPLINE  | 810/1230  | 289040   | 284041   | 289040   | 28016203 | 28016303 | 289049   |
| 829480   | 1-3/8"<br>21-SPLINE | 1-3/8"<br>21-SPLINE | 1210/1912 | 28005200 | 289042   | 28005800 | 28006700 | 28007300 | 28008100 |
| 829482 * | 1-3/8"<br>6-SPLINE  | Ø25<br>CONE 3       | 610/912   | 28005400 | 289042   | 28006000 | 28008500 | 28007500 | 28008600 |
| 829483 * | 1-3/8"<br>6-SPLINE  | Ø30<br>CONE 4       | 610/912   | 28005400 | 289042   | 28006100 | 28008500 | -        | 28008600 |
| 829484 * | 1-3/8"<br>6-SPLINE  | 1-3/8"<br>6-SPLINE  | 610/912   | 28005400 | 289042   | 28006200 | 28008500 | -        | 28008600 |
| 829486   | 1-3/8"<br>6-SPLINE  | Ø30<br>CONE 4       | 860/1328  | 28005400 | 289042   | 28006100 | 28006900 | -        | 28008100 |
| 829487 * | 1-3/8"<br>6-SPLINE  | 1-3/8"<br>6-SPLINE  | 860/1328  | 28005400 | 289042   | 28006200 | 28006900 | -        | 28008100 |
| 829490   | 1-3/8"<br>6-SPLINE  | Ø30<br>CONE 4       | 1210/1912 | 28005400 | 289042   | 28006100 | 28006900 | -        | 28008100 |
| 829491   | 1-3/8"<br>6-SPLINE  | Ø1"                 | 610/912   | 28005400 | 289042   | 28006300 | 28008500 | 28007800 | 28008600 |
| 829502 * | 1-3/8"<br>6-SPLINE  | 1-3/8"<br>6-SPLINE  | 1210/1912 | 28068800 | 28069700 | 28073000 | -        | -        | 28072800 |

\* Supplier changed in 2011 - see page A560 for "AMA" PTO's (yellow and black shields).

# A480



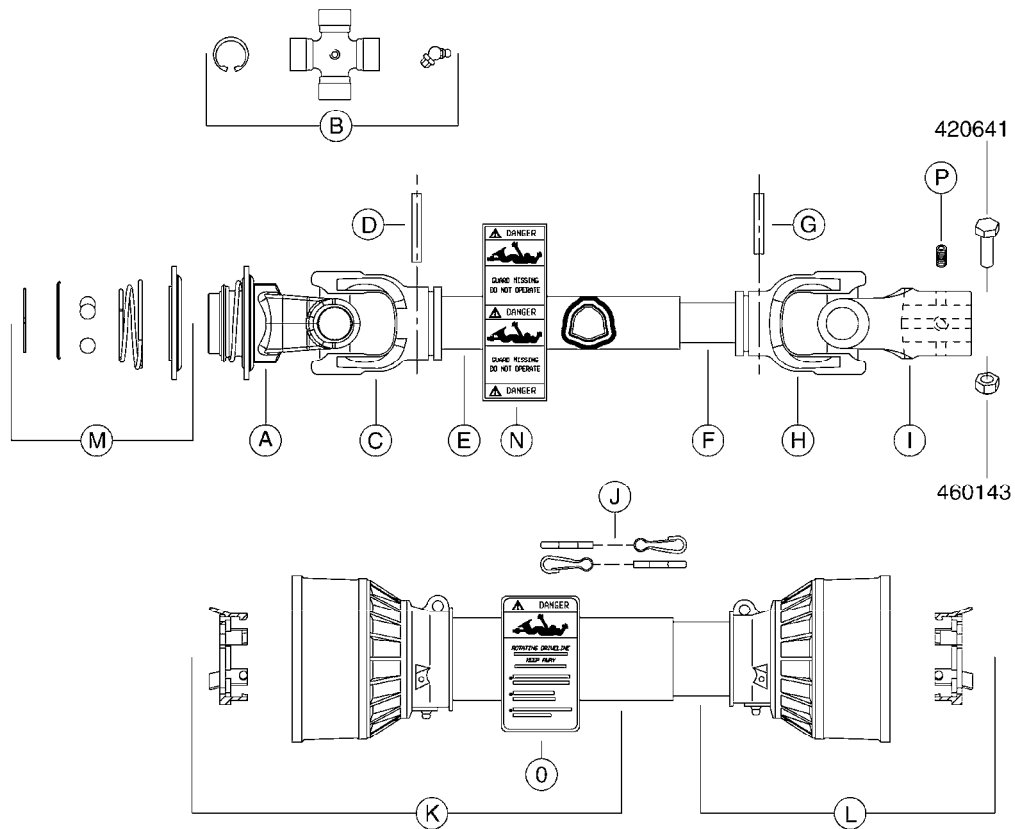
PTO SHAFTS - BONDIOLI DIAPH.  
A480-HIN, 13:12:11

Page 1

Date 06.04.2015 10:37

| parts-n° | order qty | description                     |
|----------|-----------|---------------------------------|
| 284041   | 1         | UNIV. JOINT 27x70mm             |
| 289040   | 1         | PTO YOKE 1-3/8" X 6 SPLINE      |
| 289041   | 1         | PTO YOKE 1-3/8" X 6 SPLINE      |
| 289042   | 1         | UNIV. JOINT 22x54mm             |
| 289045   | 1         | UNIV. JOINT 30.2x79.4mm         |
| 289049   | 1         | PTO SHIELD COMPLETE F.829446    |
| 289050   | 1         | PTO SHIELD COMPLETE F.829445    |
| 829445   | 1         | PTO 1-3/8/6X1-3/8/6X810M AXIAL  |
| 829446   | 1         | PTO SHAFT LE-SPV + LP ZE-P540   |
| 829480   | 1         | PTO 1-3/8/21 x 1-3/8/21x1210MM  |
| 829482   | 1         | PTO 1-3/8/6X25MM X 600MM 1202   |
| 829483   | 1         | PTO 1-3/8/6X30MM x 610MM 1302   |
| 829484   | 1         | PTO 1-3/8/6X1-3/8/6X575MM 361   |
| 829486   | 1         | PTO 1-3/8/6X30MM X870MM 1302    |
| 829487   | 1         | PTO 1-3/8/6X1-3/8/6X870MM 361   |
| 829490   | 1         | PTO 1-3/8/6X30MM 1320MM 1302    |
| 829491   | 1         | PTO 1-3/8/6X1' 610/913MM 9016   |
| 829502   | 1         | PTO 1-3/8/6x1210/1745           |
| 28005200 | 1         | PTO YOKE 1-3/8" X 21 SPLINE     |
| 28005400 | 1         | PTO YOKE 1-3/8" X 6 SPLINE      |
| 28005800 | 1         | PTO YOKE 1-3/8" X 21 SPLINE     |
| 28006000 | 1         | PTO YOKE D25 CONE 3 DEG.        |
| 28006100 | 1         | PTO YOKE D30 CONE 4 DEG.        |
| 28006200 | 1         | PTO YOKE 1-3/8" X 6 SPLINE      |
| 28006300 | 1         | PTO YOKE D1"                    |
| 28006700 | 1         | PTO HALF SHAFT - TRACTOR END    |
| 28006900 | 1         | PTO HALF SHAFT - TRACTOR END    |
| 28007300 | 1         | PTO INNER D1" (NO SHIELD)       |
| 28007500 | 1         | PTO INNER D1" (NO SHIELD)       |
| 28007800 | 1         | PTO INNER D1" (NO SHIELD)       |
| 28008100 | 1         | PTO SHIELD COMPLETE             |
| 28008500 | 1         | PTO HALF SHAFT - TRACTOR END    |
| 28008600 | 1         | PTO SHIELD ASSY COMPLETE        |
| 28009403 | 1         | UNIV. JOINT 27x74.6mm           |
| 28015103 | 1         | PTO YOKE 1-3/8"X21 TWST OLD     |
| 28015203 | 1         | UNIV. JOINT 23.8x61.3mm         |
| 28015303 | 1         | PTO YOKE 1-3/8"X21 BALL COLLAR  |
| 28015403 | 1         | PTO OUTER 1-3/8"X21 (NO SHIELD) |
| 28015503 | 1         | PTO INNER 1-3/8"X21 (NO SHIELD) |
| 28015603 | 1         | PTO SHIELD COMPLETE F.28020303  |
| 28015703 | 1         | PTO YOKE 1-3/4"X20 SPL OUTER    |
| 28015803 | 1         | PTO OUTER 1-3/4"X20 (NO SHIELD) |
| 28015903 | 1         | PTO INNER 1-3/8"X21 (NO SHIELD) |
| 28016003 | 1         | PTO SHIELD COMPLETE F.10465803  |
| 28016203 | 1         | PTO OUTER 1-3/8"X6 (SHIELDED)   |
| 28016303 | 1         | PTO INNER 1-3/8"X6 (NO SHIELD)  |
| 28016703 | 1         | PTO OUTER 1-3/8"X6 (NO SHIELD)  |
| 28016803 | 1         | PTO INNER 1-3/8"X6 (NO SHIELD)  |
| 28020203 | 1         | PTO 1-3/4/20x1-3/8/21 BP L=860  |
| 28020303 | 1         | PTO 1-3/8/21 x 1-3/8/21 B&P     |
| 28040603 | 1         | PTO YOKE 1-3/8X21SPL BLACK      |
| 28040703 | 1         | SAFETY CHAIN F.CV BLACK PTO     |
| 28068800 | 1         | PTO YOKE 1-3/8" X 6 SPLINE      |
| 28069700 | 1         | UNIV. JOINT STD1 SFT            |
| 28072800 | 1         | PTO SHIELD COMPLETE L=1912 SFT  |
| 28073000 | 1         | PTO YOKE 1-3/8" X 6 SPLINE      |





**COMPLETE ASSEMBLIES  
WHOLEGOOD ITEMS**

| PTO #     | 28021403        | 28021503         | 28021603         |
|-----------|-----------------|------------------|------------------|
| TRACTOR   | 1-3/8" 6 SPLINE | 1-3/8" 21 SPLINE | 1-3/4" 20 SPLINE |
| IMPLEMENT | D1"             | D1"              | D1"              |
| LENGTH    | 1031/1501       | 1031/1499        | 1066/1519        |
| A         | 28056703        | 28056803         | 28056903         |
| B         | 289042          | 289042           | 28040503         |
| C         | 28057003        | 28057003         | 28057103         |
| D         | 28057203        | 28057203         | 28009803         |
| E         | 28057303        | 28057303         | 28057403         |
| F         | 28057503        | 28057503         | 28057603         |
| G         | 28057703        | 28057703         | 28009903         |
| H         | 28058503        | 28058503         | 28010103         |
| I         | 28057803        | 28057803         | 28057903         |
| J         | 28040703        | 28040703         | 28040703         |
| K         | 28058003        | 28058003         | 28058103         |
| L         | 28058203        | 28058203         | 28058303         |
| M         | 28027903        | 28027903         | 28058403         |
| N         | 28041803        | 28041803         | 28041803         |
| O         | 28041903        | 28041903         | 28041903         |
| P         | 450015          | 450015           | 450015           |

**A485**

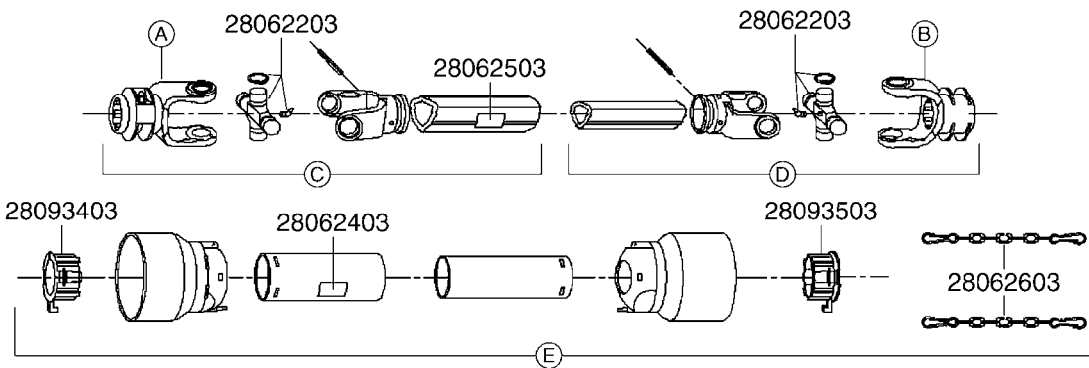


PTO SHAFTS - BONDIOLI CENT.  
A485-HIN, 20:01:14

Page 1

Date 06.04.2015 10:37

| parts-n° | order qty | description                    |
|----------|-----------|--------------------------------|
| 289042   | 1         | UNIV. JOINT 22x54mm            |
| 420641   | 1         | BOLT HEX 8.8 DEL M8X35         |
| 450015   | 1         | SCREW ALLAN 3/8'X5/8' BLACK    |
| 460143   | 1         | NUT HEX M8 LOCK A2 DIN985      |
| 28009803 | 1         | PTO PIN TUBE RETAINER OUTER    |
| 28009903 | 1         | PTO TUBE RETAINER INNER        |
| 28010103 | 1         | PTO YOKE F.INNER TUBE CV PTO   |
| 28021403 | 1         | PTO 1"STR/1-3/8" 6SPL B&P      |
| 28021503 | 1         | PTO 1"STR/1-3/8" 21SPL B&P     |
| 28021603 | 1         | PTO 1"STR/1-3/4" 20SPL B&P     |
| 28027903 | 1         | PTO BALL LOCK.KIT F.1-3/8 YOKE |
| 28040503 | 1         | UNIV. JOINT 27x74.6mm          |
| 28040703 | 1         | SAFETY CHAIN F.CV BLACK PTO    |
| 28041803 | 1         | DECAL DANGER GUARD MISSING     |
| 28041903 | 1         | DECAL DANGER ROT.DRIVELINE     |
| 28056703 | 1         | PTO YOKE #1 1-3/8" X 6 SPLINE  |
| 28056803 | 1         | PTO YOKE #1 1-3/8" X 21 SPLINE |
| 28056903 | 1         | PTO YOKE #4 1-3/8" X 20 SPLINE |
| 28057003 | 1         | PTO TUBE YOKE #1-G1 OUTER      |
| 28057103 | 1         | PTO TUBE YOKE #4-G4 OUTER      |
| 28057203 | 1         | PTO PIN TUBE RETAINER OUTER    |
| 28057303 | 1         | PTO TUBE OUTER #1 745MM        |
| 28057403 | 1         | PTO TUBE OUTER #4 720MM        |
| 28057503 | 1         | PTO TUBE INNER #1 745MM        |
| 28057603 | 1         | PTO TUBE INNER #4 720MM        |
| 28057703 | 1         | PTO TUBE RETAINER INNER        |
| 28057803 | 1         | PTO TUBE YOKE #1 Ø=1"          |
| 28057903 | 1         | PTO TUBE YOKE #4 Ø=1"          |
| 28058003 | 1         | PTO HALF SAFETY SHIELD OUTER   |
| 28058103 | 1         | PTO HALF SAFETY SHIELD OUTER   |
| 28058203 | 1         | PTO HALF SAFETY SHIELD INNER   |
| 28058303 | 1         | PTO HALF SAFETY SHIELD INNER   |
| 28058403 | 1         | PTO BALL LOCK.KIT F.1-3/4 YOKE |
| 28058503 | 1         | PTO TUBE YOKE #1-G1 INNER      |



| PTO #     | 829482          | 829483          | 829484          | 829487          |
|-----------|-----------------|-----------------|-----------------|-----------------|
| TRACTOR   | 1-3/8" 6 SPLINE | 1-3/8" 6 SPLINE | 1-3/8" 6 SPLINE | 1-3/8" 6 SPLINE |
| IMPLEMENT | 25 mm           | 30 mm           | 1-3/8" 6 SPLINE | 1-3/8" 6 SPLINE |
| LENGTH    | 610/800         | 610/800         | 610/800         | 860/1050        |
| A         | 28062103        | 28062103        | 28062103        | 28062103        |
| B         | 28062303        | 28063003        | 28062103        | 28062103        |
| C         | 28062703        | 28062703        | 28062703        | 28063403        |
| D         | 28062803        | 28063103        | 28063203        | 28063503        |
| E         | 28062903        | 28062903        | 28062903        | 28063303        |

Note: For "Bondioli" PTO's (previous supplier) - see page A480.

COMPLETE ASSEMBLIES  
WHOLEGOOD ITEMS

**A560**



PTO SHAFTS - AMA DIAPHRAGM  
A560-HIN, 07:01:15

Page 1

Date 06.04.2015 10:37

| parts-n° | order qty | description                   |
|----------|-----------|-------------------------------|
| 829482   | 1         | PTO 1-3/8/6X25MM X 600MM 1202 |
| 829483   | 1         | PTO 1-3/8/6X30MM x 610MM 1302 |
| 829484   | 1         | PTO 1-3/8/6X1-3/8/6X575MM 361 |
| 829487   | 1         | PTO 1-3/8/6X1-3/8/6X870MM 361 |
| 28062103 | 1         | PTO YOKE 1-3/8X6 AMA          |
| 28062203 | 1         | UNIV.JOINT CAT.1 AMA          |
| 28062303 | 1         | PTO YOKE D25 AMA              |
| 28062403 | 1         | DECAL - DANGER ROTATING SHAFT |
| 28062503 | 1         | DECAL - DANGER MISSING GUARD  |
| 28062603 | 1         | SAFETY CHAIN F.PTO AMA        |
| 28062703 | 1         | PTO OUTER 1-3/8X6 (NO SHIELD) |
| 28062803 | 1         | PTO INNER D25 (NO SHIELD)     |
| 28062903 | 1         | PTO SHIELD COMPLETE           |
| 28063003 | 1         | PTO YOKE D30 AMA              |
| 28063103 | 1         | PTO INNER D30 (NO SHIELD)     |
| 28063203 | 1         | PTO INNER 1-3/8X6 (NO SHIELD) |
| 28063303 | 1         | PTO SHIELD COMPLETE           |
| 28063403 | 1         | PTO OUTER 1-3/8X6 (NO SHIELD) |
| 28063503 | 1         | PTO INNER 1-3/8X6 (NO SHIELD) |
| 28093403 | 1         | PTO OUTER TUBE BEARING AMA    |
| 28093503 | 1         | PTO INNER TUBE BEARING AMA    |





EC-SC F.ESC+TMS-ELEC.GRN GRIPS  
B180-HIN, 20:06:11

Page 1

Date 06.04.2015 10:37

| parts-n° | order qty | description                    |
|----------|-----------|--------------------------------|
| 142251   | 1         | BUSHING FOR LID                |
| 145661   | 1         | FITT.DK S-61 FORK              |
| 146472   | 1         | STUD BOLT M8X420               |
| 163951   | 1         | MOUNT BRACKET FOR BK180 SECTIO |
| 240041   | 1         | O-RING D15,1/10,3 X 2,4        |
| 240925   | 1         | O-RING D49.5X3 NITRIL          |
| 240947   | 1         | O-RING D7.3X2.4 NITRIL         |
| 240951   | 1         | O-RING D21.2X3 NITRIL          |
| 241323   | 1         | O-RING D5.3X2.4 NITRIL         |
| 241511   | 1         | O-RING D18X2                   |
| 241673   | 1         | O-RING D22.1X1.6               |
| 241861   | 1         | O-RING D15.3X2.4 VITON         |
| 241978   | 1         | O-RING 64.5X3.0                |
| 242005   | 1         | O-RING D32.1X1.6 NITRIL        |
| 242020   | 1         | O-RING 39.2 X 3 VITON          |
| 242594   | 1         | O-RING D14 X 1.78 SCH.70-EPDM  |
| 262106   | 1         | BULKHEAD F. CABLE 6.5-14 BLACK |
| 262107   | 1         | NUT F. BULKHEAD CABLE BLACK    |
| 270211   | 1         | FITT.DK S25 FORK L=37.5        |
| 320283   | 1         | FITT.DK NUT 3/4"BSP            |
| 321167   | 1         | FILTER HOUSE S 63 X 4          |
| 322242   | 1         | FILTER BOWL / IN-LINE          |
| 332205   | 1         | O-RING D43/39XD2               |
| 332415   | 1         | COVER                          |
| 333561   | 1         | FITT.DK ELB.1" EC RETURN       |
| 333583   | 1         | END PIECE FOR BYPASS           |
| 333594   | 1         | CONNECTING PIECE F. BYPASS     |
| 334056   | 1         | COVER F/MOTOR HOUSE EC DIST.   |
| 334068   | 1         | FITT.DK S-61 STR.1"            |
| 334100   | 1         | FITT.DK S-61 ELB.1" 110 DEG.   |
| 334531   | 1         | CLAMP HOSE PLASTIC 3/4"        |
| 334550   | 1         | MOTOR HOUSE SECT VALVE         |
| 334551   | 1         | GRIP F.MAN.OP.EC ON/OFF GREEN  |
| 334552   | 1         | GRIP F.MAN.OP.EC PRES.REG.GREE |
| 334558   | 1         | NUT HEX PLASTIC INSERT         |
| 334669   | 1         | VALVE CONE D14/D7-SH 63 WHITE  |
| 334680   | 1         | CLAMP HOSE PLASTIC 1"          |
| 410362   | 1         | BOLT HEX 8.8 SS M6X20 FT       |
| 411045   | 1         | SCREW M4 X 16MM STAINLESS      |
| 440307   | 1         | SCREW SHEET-METAL 3/4" NO. 10  |
| 440675   | 1         | SCREW F. PLASTIC 5X16 SS       |
| 440677   | 1         | SCREW F. PLASTIC 5X20 SS       |
| 460261   | 1         | NUT HEX M6X1 LOCK A2 DIN985    |
| 460817   | 1         | NUT HEX M8 STAINLESS DIN 934   |
| 470643   | 1         | WASHER LOCK                    |
| 471125   | 1         | WASHER M6U D12/D6.4x1.6 SS A2  |
| 471126   | 1         | WASHER D16/D8.4X1.6 SS         |
| 614421   | 1         | GASKET F/MOTOR HOUSE-ON/OFF TR |
| 615329   | 1         | BRACKET F.ESC CONTROL VALVES   |
| 615443   | 1         | FILTER ELEM.50 MESH BLUE       |
| 615444   | 1         | FILTER ELEM.80 MESH RED        |
| 615445   | 1         | FILTER ELEM.100 MESH YELLOW    |
| 724621   | 1         | FITT.DK HB 3/4"ASSY F.3/4" NUT |
| 725070   | 1         | BRKT.PLATE F/PRES. 70068303    |
| 725257   | 1         | SPINDLE SECT. F/EC DISTRIBUTOR |
| 725258   | 1         | REG. KIT OLD PRE 1992          |
| 725670   | 1         | CABLE 6000MM EC-3              |
| 728010   | 1         | DISTRIB HOUSING W/CONST PR GRN |
| 728033   | 1         | MOTOR UNIT F.PRES.REG.EC GREEN |
| 728887   | 1         | CIRCUIT BOARD EC CONTROL       |
| 983003   | 1         | CABLE ELEC.2X1MM WIRE BLACK EC |

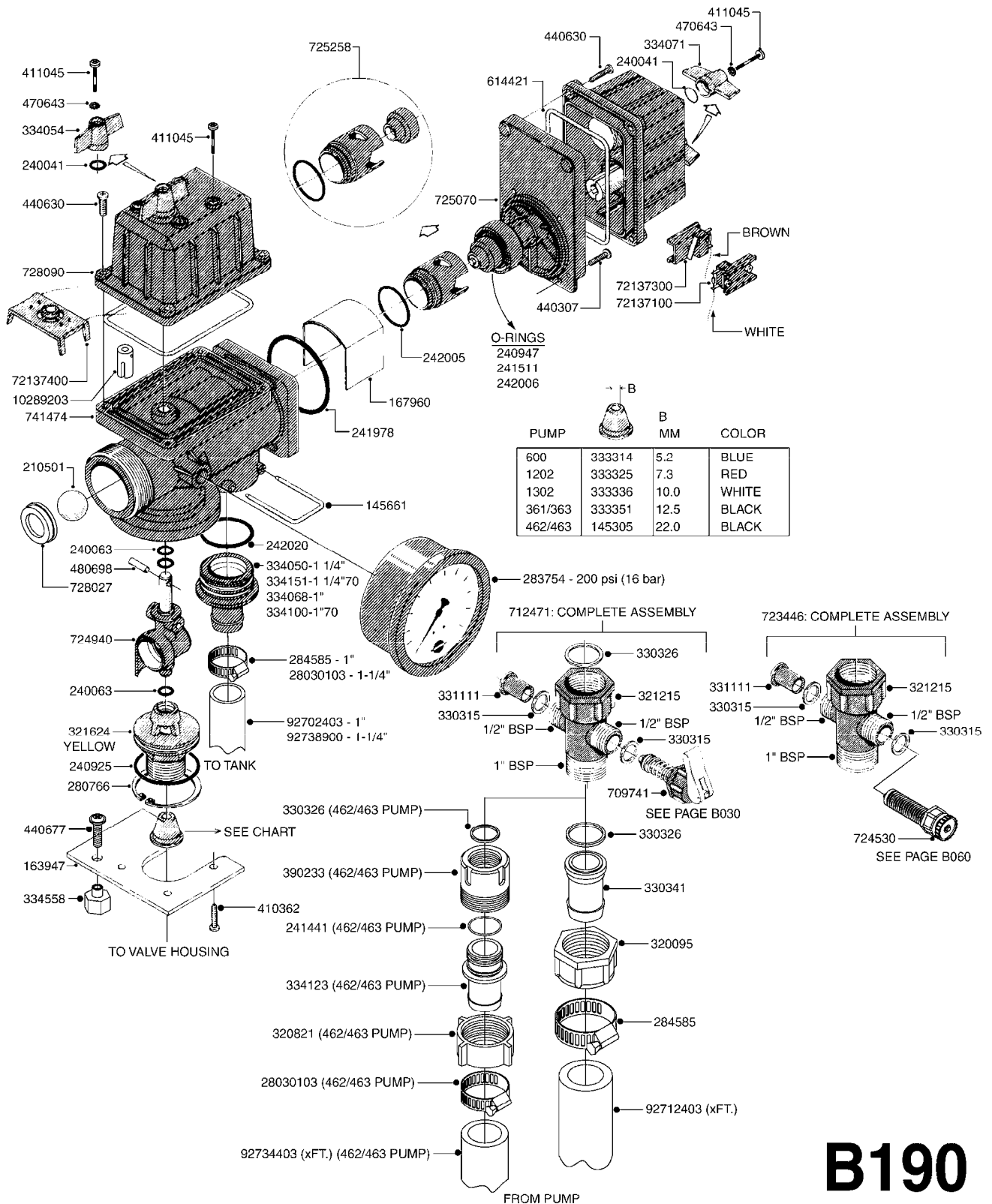


EC-SC F.ESC+TMS-ELEC.GRN GRIPS  
B180-HIN, 20:06:11

Page 2

Date 06.04.2015 10:37

| parts-n° | order qty | description                    |
|----------|-----------|--------------------------------|
| 28026203 | 1         | GAUGE 200PSI/BR,2.5"1/4BSP-BTM |
| 28030003 | 1         | CLAMP HOSE GEAR P1" 6716       |
| 28082100 | 1         | SCREW F. BOX LID 1/4" L=20     |
| 33508700 | 1         | BOX 160X80X40 BLACK 1-HOLE     |
| 33508800 | 1         | LID 160X80X15 BLK W/SCREWS     |
| 70068603 | 1         | REGULATOR HOUSING UPDATE PRE92 |
| 72048000 | 1         | MOTOR, DISTRIBUTION 1:300      |
| 72136500 | 1         | UNIV. CONNECTION BOX F. EC     |
| 92702403 | 1         | HOSE PVC SUCT GRAY 1"          |
| 92703203 | 1         | HOSE R X3/4" X300PSI WP X0012" |
| 92712403 | 1         | HOSE R X1" X300PSI WP X0012"   |



**B190**





EC MASTER VALVE-ELEC. (RED GRP)  
B190-HIN, 08:09:11

Page 1

Date 06.04.2015 10:37

| parts-n° | order qty | description                     |
|----------|-----------|---------------------------------|
| 145305   | 1         | NOZZLE F.OP.UNIT PUMP 462       |
| 145661   | 1         | FITT.DK S-61 FORK               |
| 163947   | 1         | FITTING FOR BK 180              |
| 167960   | 1         | WEAR SHIELD EC CONTROL          |
| 210501   | 1         | BALL PLASTIC D25                |
| 240041   | 1         | O-RING D15,1/10,3 X 2,4         |
| 240063   | 1         | O-RING D14.1/9.3 X 2.4          |
| 240925   | 1         | O-RING D49.5X3 NITRIL           |
| 240947   | 1         | O-RING D7.3X2.4 NITRIL          |
| 241441   | 1         | O-RING D29.3X3                  |
| 241511   | 1         | O-RING D18X2                    |
| 241978   | 1         | O-RING 64.5X3.0                 |
| 242005   | 1         | O-RING D32.1X1.6 NITRIL         |
| 242006   | 1         | O-RING D22/D19 X 1.5            |
| 242020   | 1         | O-RING 39.2 X 3 VITON           |
| 280766   | 1         | SNAP-RING INNER 55X2 DIN 472    |
| 283754   | 1         | GAUGE 2.5'BR REAR PSI200 BAR16  |
| 284585   | 1         | CLAMP HOSE GEAR 1" MINI 020     |
| 320095   | 1         | FITT.DK NUT 1" BSP              |
| 320821   | 1         | FITT.DK NUT 1-1/2" BSP          |
| 321215   | 1         | FITT.DK HOUSING F. AGITATION    |
| 321624   | 1         | BOTTOM PIECE F.BALL OPER.UNIT   |
| 330315   | 1         | O-RING D18.4/D13X.6             |
| 330326   | 1         | O-RING D30/D24X2 F.1"NUT        |
| 330341   | 1         | FITT.DK HB 1" F. 1" NUT         |
| 331111   | 1         | VALVE SEAT FOR 1/2" DISTRIBUT.  |
| 333314   | 1         | NOZZ.RESTRICTOR 600 BLUE        |
| 333325   | 1         | NOZZ.RESTRICTOR 1202 RED        |
| 333336   | 1         | NOZZ.RESTRICTOR 1302 WHITE      |
| 333351   | 1         | NOZZ.RESTRICTOR 361 BLACK       |
| 334050   | 1         | FITT.DK S-61 STR.1-1/4"         |
| 334054   | 1         | GRIP F.MAN.OP.EC ON/OFF RED     |
| 334068   | 1         | FITT.DK S-61 STR.1"             |
| 334071   | 1         | GRIP F.MAN.OP.EC PRESS.REG.RED  |
| 334100   | 1         | FITT.DK S-61 ELB.1" 110 DEG.    |
| 334123   | 1         | FITT.DK HB 1-1/4"O-RNG F.1-1/2" |
| 334151   | 1         | FITT.DK S-61 ELB.1-1/4"110 DEG  |
| 334558   | 1         | NUT HEX PLASTIC INSERT          |
| 390233   | 1         | FITT.DK REDUC 1-1/2" X 1" BSP   |
| 410362   | 1         | BOLT HEX 8.8 SS M6X20 FT        |
| 411045   | 1         | SCREW M4 X 16MM STAINLESS       |
| 440307   | 1         | SCREW SHEET-METAL 3/4" NO. 10   |
| 440630   | 1         | SCREW 1"PLATED                  |
| 440677   | 1         | SCREW F. PLASTIC 5X20 SS        |
| 470643   | 1         | WASHER LOCK                     |
| 480698   | 1         | PIN M5X16 SLOTTED               |
| 614421   | 1         | GASKET F/MOTOR HOUSE-ON/OFF TR  |
| 709741   | 1         | VALVE ASSY. 1/2" FLIP LEVER     |
| 712471   | 1         | AGITATION VALVE ASSY. ON/OFF    |
| 723446   | 1         | AGITATION VALVE ASSY. ADJUST.   |
| 724530   | 1         | THUMB WHEEL FOR AGITATION       |
| 724940   | 1         | BALL HOUSE MOUNTED - EC         |
| 725011   | 1         | MOTOR UNIT F.PRES.REG.EC RED    |
| 725070   | 1         | BRKT.PLATE F/PRES. 70068303     |
| 725258   | 1         | REG. KIT OLD PRE 1992           |
| 728027   | 1         | BUSHING WITH SEAT               |
| 728090   | 1         | MOTOR UNIT F.ON/OFF EC GREEN    |
| 741474   | 1         | OP.UNIT ON/OF/REG KIT W/322136  |
| 10289203 | 1         | COUPLER FOR EC ELEC.CONTROL     |
| 28030103 | 1         | CLAMP HOSE GEAR P5/4-S1.5"6724  |
| 72137100 | 1         | MCROSWCH ASSY F.PRSR REG WHT W  |

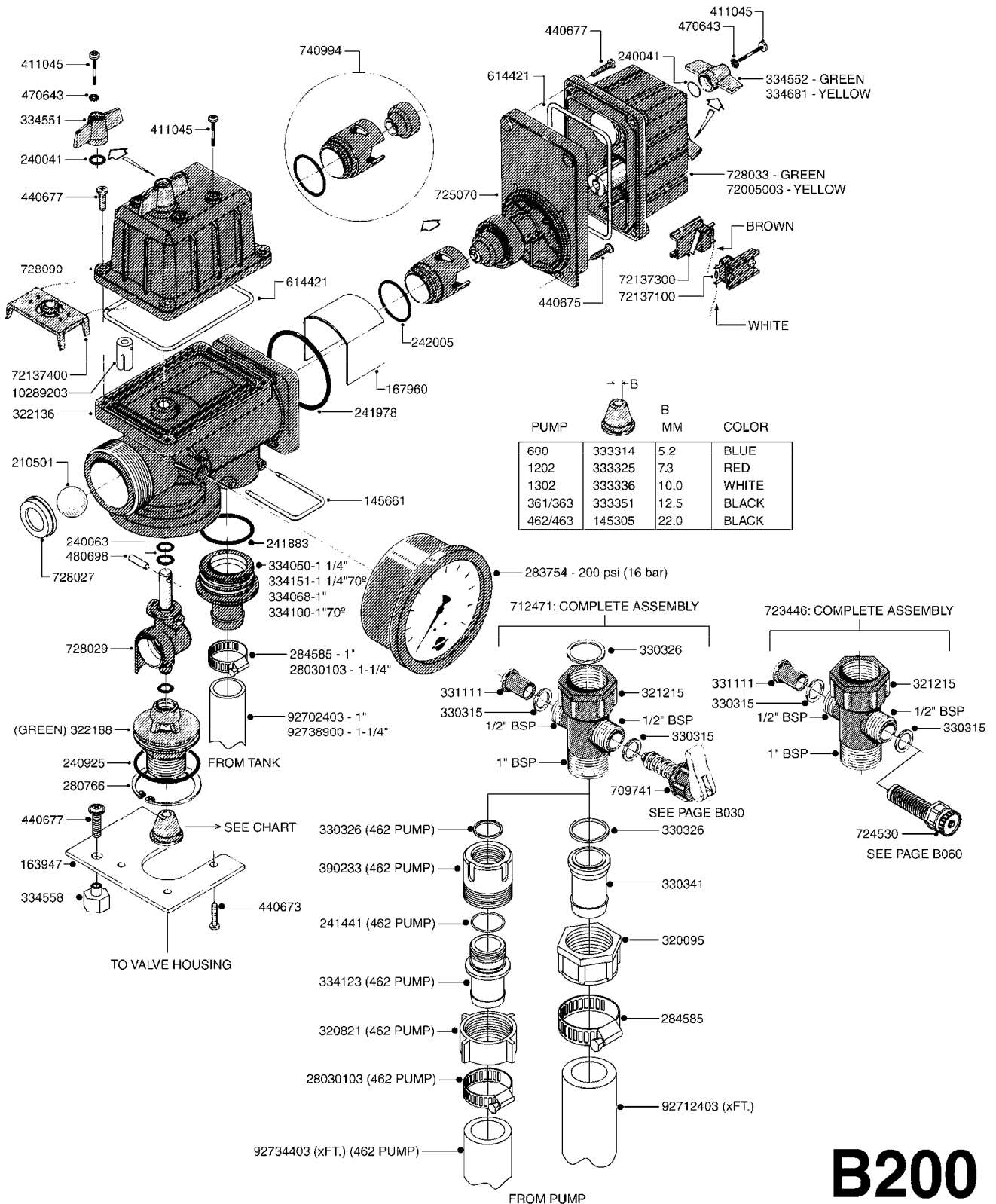


EC MASTER VALVE-ELEC. (RED GRP)  
B190-HIN, 08:09:11

Page 2

Date 06.04.2015 10:37

| parts-n° | order qty | description                    |
|----------|-----------|--------------------------------|
| 72137300 | 1         | MCROSWCH ASSY F.PRSR REG BRN W |
| 72137400 | 1         | MCROSWCH ASSY F. ON/OFF VLV    |
| 92702403 | 1         | HOSE PVC SUCT GRAY 1"          |
| 92712403 | 1         | HOSE R X1" X300PSI WP X0012"   |
| 92734403 | 1         | HOSE R X5/4" X200PSI WP X0012" |
| 92738900 | 1         | HOSE R X PVC X 1-1/4" 0012"    |



**B200**



| parts-n° | order qty | description                    |
|----------|-----------|--------------------------------|
| 145305   | 1         | NOZZLE F.OP.UNIT PUMP 462      |
| 145661   | 1         | FITT.DK S-61 FORK              |
| 163947   | 1         | FITTING FOR BK 180             |
| 167960   | 1         | WEAR SHIELD EC CONTROL         |
| 210501   | 1         | BALL PLASTIC D25               |
| 240041   | 1         | O-RING D15,1/10,3 X 2,4        |
| 240063   | 1         | O-RING D14.1/9.3 X 2.4         |
| 240925   | 1         | O-RING D49.5X3 NITRIL          |
| 241441   | 1         | O-RING D29.3X3                 |
| 241883   | 1         | O-RING D39.2X3 NITRIL 242020   |
| 241978   | 1         | O-RING 64.5X3.0                |
| 242005   | 1         | O-RING D32.1X1.6 NITRIL        |
| 280766   | 1         | SNAP-RING INNER 55X2 DIN 472   |
| 283754   | 1         | GAUGE 2.5'BR REAR PSI200 BAR16 |
| 284585   | 1         | CLAMP HOSE GEAR 1" MINI 020    |
| 320095   | 1         | FITT.DK NUT 1" BSP             |
| 320821   | 1         | FITT.DK NUT 1-1/2" BSP         |
| 321215   | 1         | FITT.DK HOUSING F. AGITATION   |
| 322136   | 1         | HOUSING F.OPERATING UNIT EC    |
| 322188   | 1         | BOTTOM PIECE F.BALL EC         |
| 330315   | 1         | O-RING D18.4/D13X.6            |
| 330326   | 1         | O-RING D30/D24X2 F.1"NUT       |
| 330341   | 1         | FITT.DK HB 1" F. 1" NUT        |
| 331111   | 1         | VALVE SEAT FOR 1/2" DISTRIBUT. |
| 333314   | 1         | NOZZ.RESTRICTOR 600 BLUE       |
| 333325   | 1         | NOZZ.RESTRICTOR 1202 RED       |
| 333336   | 1         | NOZZ.RESTRICTOR 1302 WHITE     |
| 333351   | 1         | NOZZ.RESTRICTOR 361 BLACK      |
| 334050   | 1         | FITT.DK S-61 STR.1-1/4"        |
| 334068   | 1         | FITT.DK S-61 STR.1"            |
| 334100   | 1         | FITT.DK S-61 ELB.1" 110 DEG.   |
| 334123   | 1         | FITT.DK HB 1-1/4"O-RNG F.1-1/2 |
| 334151   | 1         | FITT.DK S-61 ELB.1-1/4"110 DEG |
| 334551   | 1         | GRIP F.MAN.OP.EC ON/OFF GREEN  |
| 334552   | 1         | GRIP F.MAN.OP.EC PRES.REG.GREE |
| 334558   | 1         | NUT HEX PLASTIC INSERT         |
| 334681   | 1         | GRIP F.MAN.OP.EC PRES.REG.YELL |
| 390233   | 1         | FITT.DK REDUC 1-1/2" X 1" BSP  |
| 411045   | 1         | SCREW M4 X 16MM STAINLESS      |
| 440673   | 1         | SCREW F.PLASTIC 5X12 SS        |
| 440675   | 1         | SCREW F. PLASTIC 5X16 SS       |
| 440677   | 1         | SCREW F. PLASTIC 5X20 SS       |
| 470643   | 1         | WASHER LOCK                    |
| 480698   | 1         | PIN M5X16 SLOTTED              |
| 614421   | 1         | GASKET F/MOTOR HOUSE-ON/OFF TR |
| 709741   | 1         | VALVE ASSY. 1/2" FLIP LEVER    |
| 712471   | 1         | AGITATION VALVE ASSY. ON/OFF   |
| 723446   | 1         | AGITATION VALVE ASSY. ADJUST.  |
| 724530   | 1         | THUMB WHEEL FOR AGITATION      |
| 725070   | 1         | BRKT.PLATE F/PRES. 70068303    |
| 728027   | 1         | BUSHING WITH SEAT              |
| 728029   | 1         | HOUSING F.BALL MOUNT EC        |
| 728033   | 1         | MOTOR UNIT F.PRES.REG.EC GREEN |
| 728090   | 1         | MOTOR UNIT F.ON/OFF EC GREEN   |
| 740994   | 1         | PRESS REG.CONE&CYL. STD RATE   |
| 10289203 | 1         | COUPLER FOR EC ELEC.CONTROL    |
| 28030103 | 1         | CLAMP HOSE GEAR P5/4-S1.5"6724 |
| 72005003 | 1         | REGULATOR MOTOR SUBST.         |
| 72137100 | 1         | MCROSWCH ASSY F.PRSR REG WHT W |
| 72137300 | 1         | MCROSWCH ASSY F.PRSR REG BRN W |
| 72137400 | 1         | MCROSWCH ASSY F. ON/OFF VLV    |

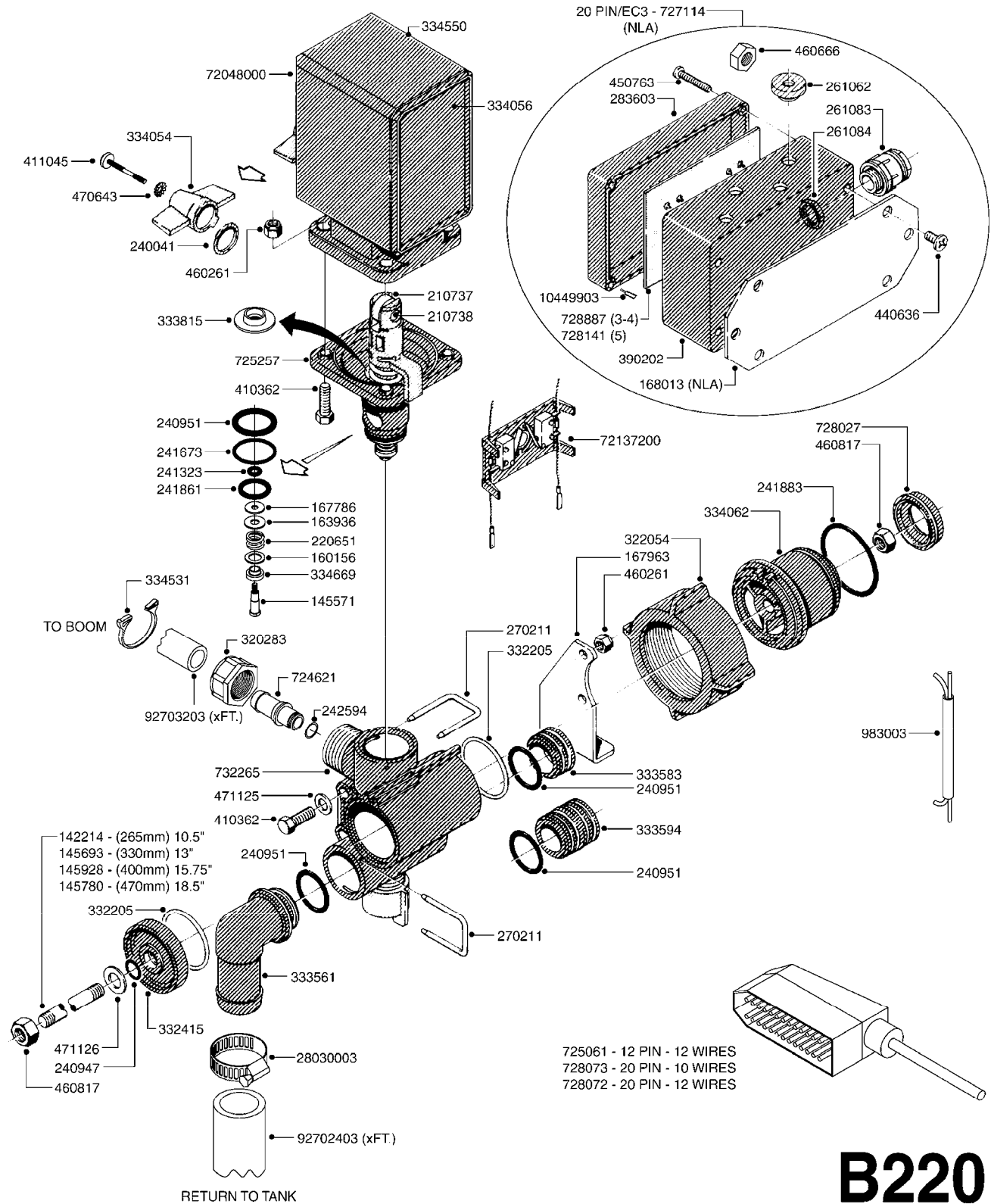


EC MASTER VALVE-ELEC. (GRN GRP)  
B200-HIN, 16:12:08

Page 2

Date 06.04.2015 10:37

| parts-n° | order qty | description                    |
|----------|-----------|--------------------------------|
| 92702403 | 1         | HOSE PVC SUCT GRAY 1"          |
| 92712403 | 1         | HOSE R X1" X300PSI WP X0012"   |
| 92734403 | 1         | HOSE R X5/4" X200PSI WP X0012" |
| 92738900 | 1         | HOSE R X PVC X 1-1/4" 0012"    |



# B220



EC BOOM VALVE - ELEC. (RED GRP)  
B220-HIN, 16:12:08

Page 1

Date 06.04.2015 10:37

| parts-n° | order qty | description                    |
|----------|-----------|--------------------------------|
| 142214   | 1         | STUD BOLT - M8X265, 3 SECTION  |
| 145571   | 1         | STUD BOLT F/PNEUM. DISTRIBUTOR |
| 145693   | 1         | STUD BOLT - M8X330, 4 SECTION  |
| 145780   | 1         | STUD BOLT - M8X470, 6 SECTION  |
| 145928   | 1         | STUD BOLT - M8X400, 5 SECTION  |
| 160156   | 1         | WASHER D14.1/D9.2X1 SS         |
| 163936   | 1         | WASHER D15/D6.2X1              |
| 167786   | 1         | WASHER D13/D4.2X1              |
| 167963   | 1         | MOUNT BKT.F.EC BOOM SEC.       |
| 168013   | 1         | MOUNT BRKT F.CONNECT BOX-NLA   |
| 210737   | 1         | BEARING BALL D7 RSTO 5 TN      |
| 210738   | 1         | BEARING ROLLER D7 L=16 SS      |
| 220651   | 1         | SPRING PRESSURE D12.5/5        |
| 240041   | 1         | O-RING D15,1/10,3 X 2,4        |
| 240947   | 1         | O-RING D7.3X2.4 NITRIL         |
| 240951   | 1         | O-RING D21.2X3 NITRIL          |
| 241323   | 1         | O-RING D5.3X2.4 NITRIL         |
| 241673   | 1         | O-RING D22.1X1.6               |
| 241861   | 1         | O-RING D15.3X2.4 VITON         |
| 241883   | 1         | O-RING D39.2X3 NITRIL 242020   |
| 242594   | 1         | O-RING D14 X 1.78 SCH.70-EPDM  |
| 261062   | 1         | GROMMET                        |
| 261083   | 1         | GROMMET (PLASTIC)F.ELEC.CABLE  |
| 261084   | 1         | NUT F.261083 GROMMET           |
| 270211   | 1         | FITT.DK S25 FORK L=37.5        |
| 283603   | 1         | LID F. SQ.BOX 120X80X15 MM     |
| 320283   | 1         | FITT.DK NUT 3/4"BSP            |
| 322054   | 1         | UNION NUT BLACK S61 x 2        |
| 332205   | 1         | O-RING D43/39XD2               |
| 332415   | 1         | COVER                          |
| 333561   | 1         | FITT.DK ELB.1" EC RETURN       |
| 333583   | 1         | END PIECE FOR BYPASS           |
| 333594   | 1         | CONNECTING PIECE F. BYPASS     |
| 333815   | 1         | DISTANCE RING                  |
| 334054   | 1         | GRIP F.MAN.OP.EC ON/OFF RED    |
| 334056   | 1         | COVER F/MOTOR HOUSE EC DIST.   |
| 334062   | 1         | CONNECT. BRANCH F/EC OP. UNIT  |
| 334531   | 1         | CLAMP HOSE PLASTIC 3/4"        |
| 334550   | 1         | MOTOR HOUSE SECT VALVE         |
| 334669   | 1         | VALVE CONE D14/D7-SH 63 WHITE  |
| 390202   | 1         | CONN.BOX EC OPER.UNIT          |
| 410362   | 1         | BOLT HEX 8.8 SS M6X20 FT       |
| 411045   | 1         | SCREW M4 X 16MM STAINLESS      |
| 440636   | 1         | SCREW SHEET-METAL 1/2" NO 12   |
| 450763   | 1         | SCREW M4X25                    |
| 460261   | 1         | NUT HEX M6X1 LOCK A2 DIN985    |
| 460666   | 1         | NUT HEX M4                     |
| 460817   | 1         | NUT HEX M8 STAINLESS DIN 934   |
| 470643   | 1         | WASHER LOCK                    |
| 471125   | 1         | WASHER M6U D12/D6.4x1.6 SS A2  |
| 471126   | 1         | WASHER D16/D8.4X1.6 SS         |
| 724621   | 1         | FITT.DK HB 3/4"ASSY F.3/4" NUT |
| 725061   | 1         | CABLE - EC 12WIRE L=6000mm     |
| 725257   | 1         | SPINDLE SECT. F/EC DISTRIBUTOR |
| 727114   | 1         | CONNECTOR BOX WITH CABLE       |
| 728027   | 1         | BUSHING WITH SEAT              |
| 728072   | 1         | CABLE,20-PIN,6M EC/4           |
| 728073   | 1         | CABLE,20-PIN,6M, EC/3          |
| 728141   | 1         | CIRCUIT BOARD F.EC7 CONN. BOX  |
| 728887   | 1         | CIRCUIT BOARD EC CONTROL       |
| 732265   | 1         | DISTRIB HOUSING W/CONST PR RED |



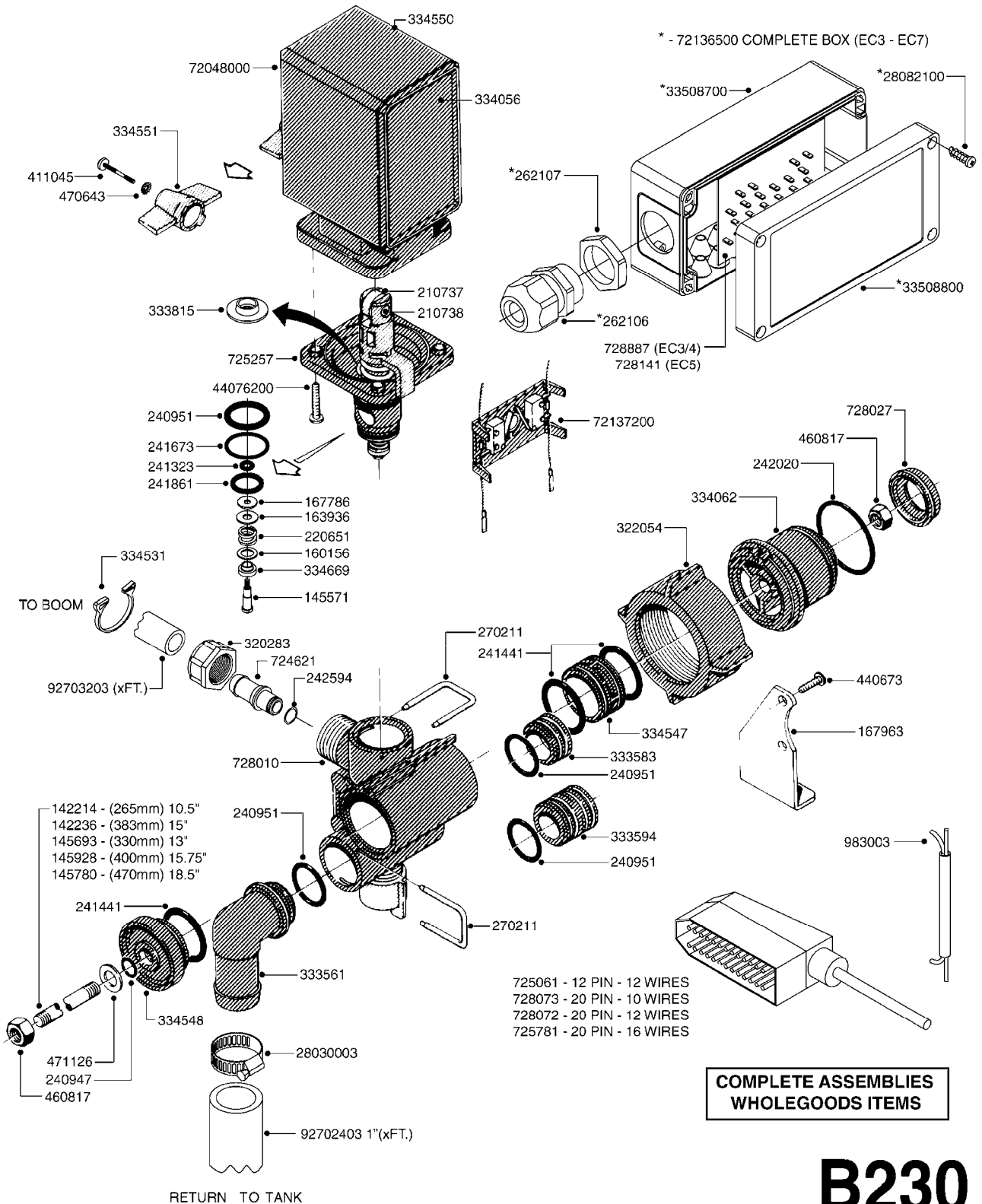
EC BOOM VALVE - ELEC. (RED GRP)  
B220-HIN, 16:12:08

Page 2

Date 06.04.2015 10:37

| parts-n° | order qty | description                    |
|----------|-----------|--------------------------------|
| 983003   | 1         | CABLE ELEC.2X1MM WIRE BLACK EC |
| 10449903 | 1         | ELEC.CONNECTOR FOR EC JUNC.BOX |
| 28030003 | 1         | CLAMP HOSE GEAR P1" 6716       |
| 72048000 | 1         | MOTOR, DISTRIBUTION 1:300      |
| 72137200 | 1         | MCROSWCH ASSY F.BOOM VLV 300:1 |
| 92702403 | 1         | HOSE PVC SUCT GRAY 1"          |
| 92703203 | 1         | HOSE R X3/4" X300PSI WP X0012" |







EC BOOM VALVE-ELEC.(GRN GRIP)  
B230-HIN, 29:05:13

| parts-n° | order qty | description                    |
|----------|-----------|--------------------------------|
| 142214   | 1         | STUD BOLT - M8X265, 3 SECTION  |
| 142236   | 1         | STUD BOLT 8 X 381 - 8 MODULS   |
| 145571   | 1         | STUD BOLT F/PNEUM. DISTRIBUTOR |
| 145693   | 1         | STUD BOLT - M8X330, 4 SECTION  |
| 145780   | 1         | STUD BOLT - M8X470, 6 SECTION  |
| 145928   | 1         | STUD BOLT - M8X400, 5 SECTION  |
| 160156   | 1         | WASHER D14.1/D9.2X1 SS         |
| 163936   | 1         | WASHER D15/D6.2X1              |
| 167786   | 1         | WASHER D13/D4.2X1              |
| 167963   | 1         | MOUNT BKT.F.EC BOOM SEC.       |
| 210737   | 1         | BEARING BALL D7 RSTO 5 TN      |
| 210738   | 1         | BEARING ROLLER D7 L=16 SS      |
| 220651   | 1         | SPRING PRESSURE D12.5/5        |
| 240947   | 1         | O-RING D7.3X2.4 NITRIL         |
| 240951   | 1         | O-RING D21.2X3 NITRIL          |
| 241323   | 1         | O-RING D5.3X2.4 NITRIL         |
| 241441   | 1         | O-RING D29.3X3                 |
| 241673   | 1         | O-RING D22.1X1.6               |
| 241861   | 1         | O-RING D15.3X2.4 VITON         |
| 242020   | 1         | O-RING 39.2 X 3 VITON          |
| 242594   | 1         | O-RING D14 X 1.78 SCH.70-EPDM  |
| 262106   | 1         | BULKHEAD F. CABLE 6.5-14 BLACK |
| 262107   | 1         | NUT F. BULKHEAD CABLE BLACK    |
| 270211   | 1         | FITT.DK S25 FORK L=37.5        |
| 320283   | 1         | FITT.DK NUT 3/4"BSP            |
| 322054   | 1         | UNION NUT BLACK S61 x 2        |
| 333561   | 1         | FITT.DK ELB.1" EC RETURN       |
| 333583   | 1         | END PIECE FOR BYPASS           |
| 333594   | 1         | CONNECTING PIECE F. BYPASS     |
| 333815   | 1         | DISTANCE RING                  |
| 334056   | 1         | COVER F/MOTOR HOUSE EC DIST.   |
| 334062   | 1         | CONNECT. BRANCH F/EC OP. UNIT  |
| 334531   | 1         | CLAMP HOSE PLASTIC 3/4"        |
| 334547   | 1         | CONNECTING PIECE F. PRESSURE   |
| 334548   | 1         | END COVER                      |
| 334550   | 1         | MOTOR HOUSE SECT VALVE         |
| 334551   | 1         | GRIP F.MAN.OP.EC ON/OFF GREEN  |
| 334669   | 1         | VALVE CONE D14/D7-SH 63 WHITE  |
| 411045   | 1         | SCREW M4 X 16MM STAINLESS      |
| 440673   | 1         | SCREW F.PLASTIC 5X12 SS        |
| 460817   | 1         | NUT HEX M8 STAINLESS DIN 934   |
| 470643   | 1         | WASHER LOCK                    |
| 471126   | 1         | WASHER D16/D8.4X1.6 SS         |
| 724621   | 1         | FITT.DK HB 3/4"ASSY F.3/4" NUT |
| 725061   | 1         | CABLE - EC 12WIRE L=6000mm     |
| 725257   | 1         | SPINDLE SECT. F/EC DISTRIBUTOR |
| 725781   | 1         | CONNECTING CABLE L=6000-AC 5   |
| 728010   | 1         | DISTRIB HOUSING W/CONST PR GRN |
| 728027   | 1         | BUSHING WITH SEAT              |
| 728072   | 1         | CABLE,20-PIN,6M EC/4           |
| 728073   | 1         | CABLE,20-PIN,6M, EC/3          |
| 728141   | 1         | CIRCUIT BOARD F.EC7 CONN. BOX  |
| 728887   | 1         | CIRCUIT BOARD EC CONTROL       |
| 983003   | 1         | CABLE ELEC.2X1MM WIRE BLACK EC |
| 28030003 | 1         | CLAMP HOSE GEAR P1" 6716       |
| 28082100 | 1         | SCREW F. BOX LID 1/4" L=20     |
| 33508700 | 1         | BOX 160X80X40 BLACK 1-HOLE     |
| 33508800 | 1         | LID 160X80X15 BLK W/SCREWS     |
| 44076200 | 1         | PT TORNILLO 50X16 WN5451 rsf t |
| 72048000 | 1         | MOTOR, DISTRIBUTION 1:300      |
| 72136500 | 1         | UNIV. CONNECTION BOX F. EC     |

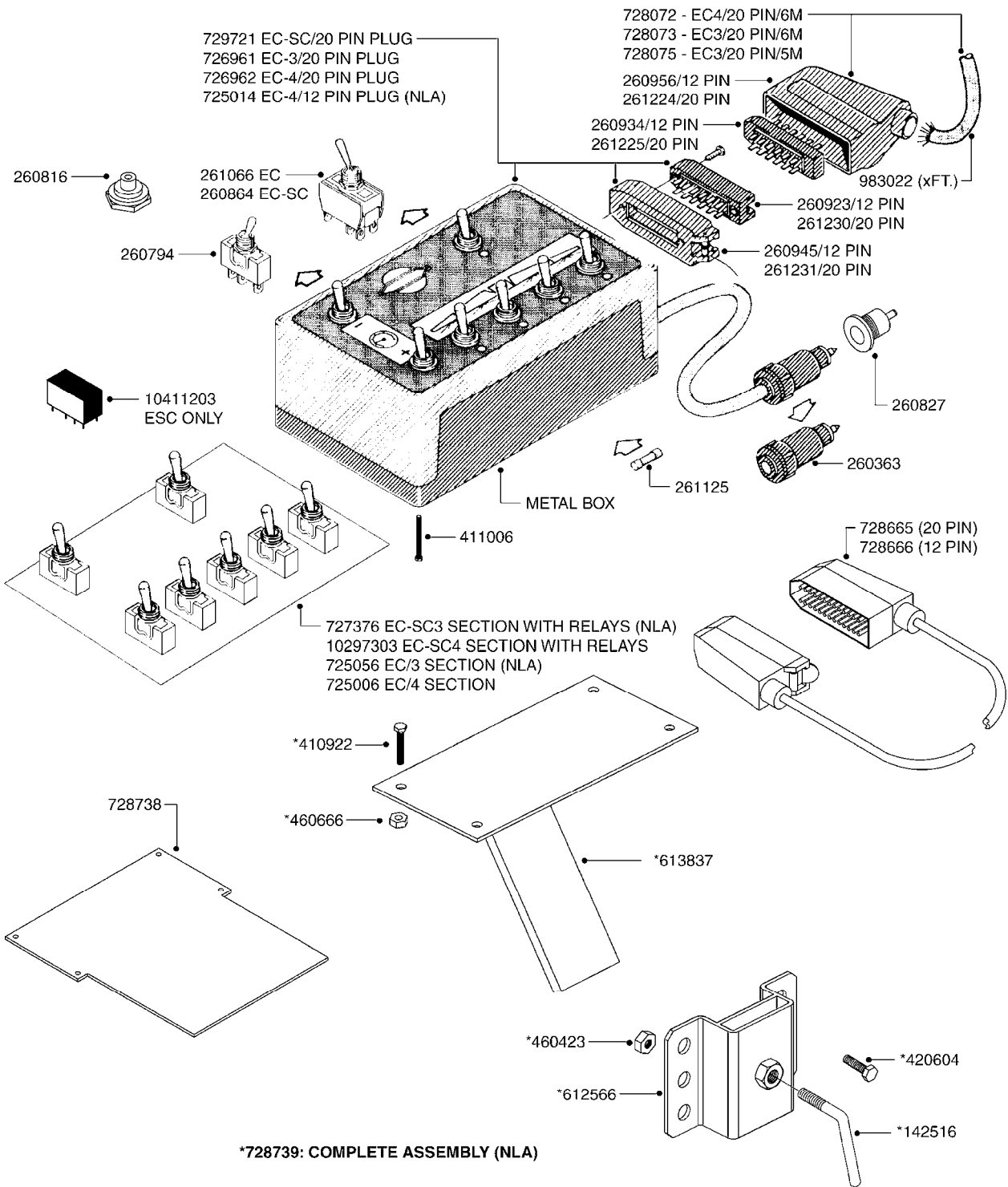


EC BOOM VALVE-ELEC.(GRN GRIP)  
B230-HIN, 29:05:13

Page 2

Date 06.04.2015 10:37

| parts-n°                         | order qty   | description                                                                               |
|----------------------------------|-------------|-------------------------------------------------------------------------------------------|
| 72137200<br>92702403<br>92703203 | 1<br>1<br>1 | MCROSWCH ASSY F.BOOM VLV 300:1<br>HOSE PVC SUCT GRAY 1"<br>HOSE R X3/4" X300PSI WP X0012" |



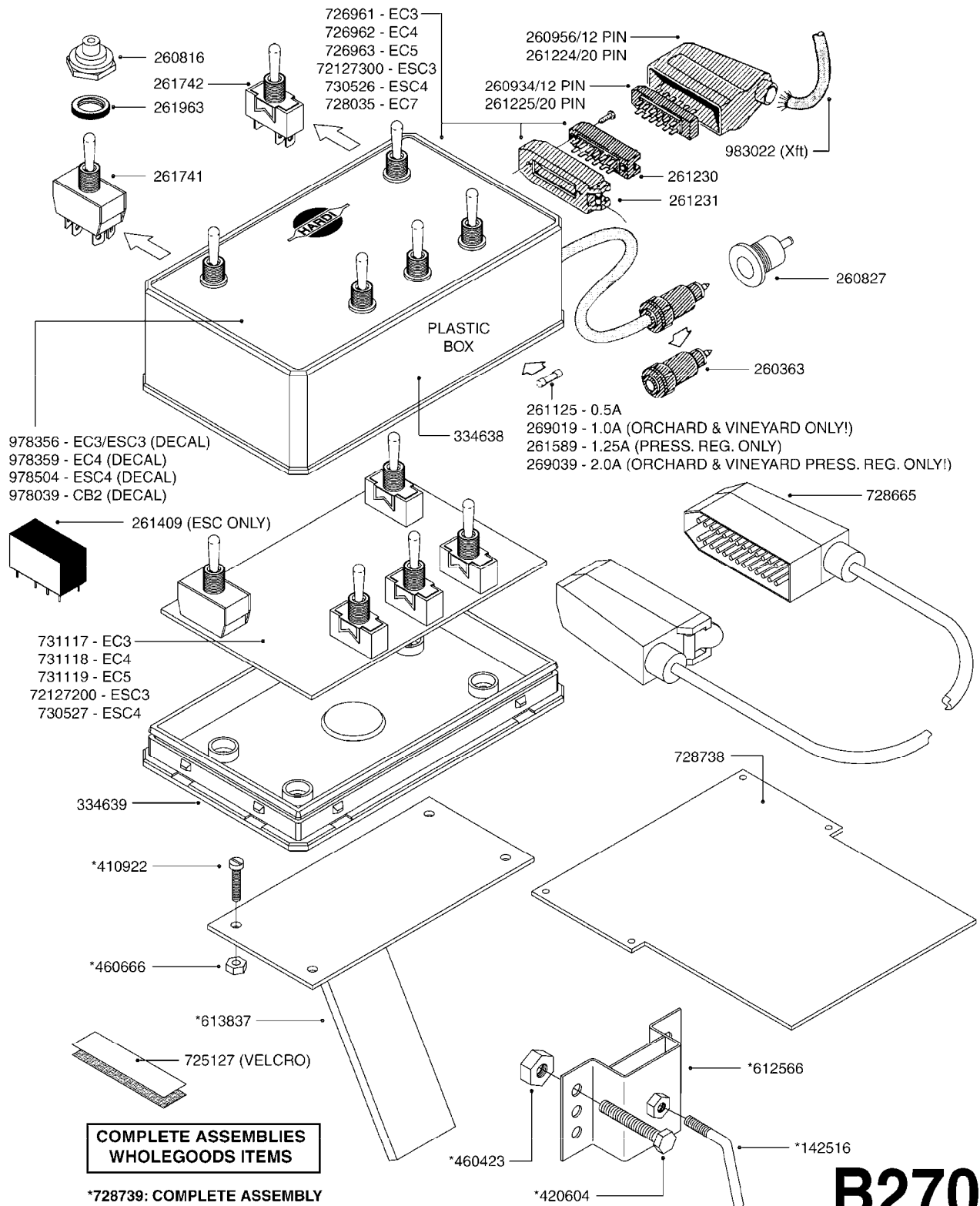
COMPLETE ASSEMBLIES  
WHOLEGOODS ITEMS

# B260



CONTROL BOX F/EC+EC-SC  
B260-HIN, 01:01:01

| parts-n° | order qty | description                       |
|----------|-----------|-----------------------------------|
| 142516   | 1         | SCREW SET M10 BENT F. LOCKING     |
| 260363   | 1         | PLUG 2 POLE 12V                   |
| 260794   | 1         | SWITCH F.PRESS ADJ.EC CONTROL     |
| 260816   | 1         | CAP W/RUBBER BOOT F.EC SWITCH     |
| 260827   | 1         | PLUG F.EC ATTACHMENTS             |
| 260864   | 1         | SWITCH F.HY BOOM CONTROL BOX      |
| 260923   | 1         | PLUG INSERT 12 POLE FEMALE        |
| 260934   | 1         | PLUG INSERT 12 POLE MALE          |
| 260945   | 1         | PLUG HOUSE 12 POLE FEMALE         |
| 260956   | 1         | PLUG HOUSE 12 POL.MALE            |
| 261066   | 1         | SWITCH 2 POLE                     |
| 261125   | 1         | FUSE 5 X 20 500mA                 |
| 261224   | 1         | PLUG HOUSING F/20 POLE MALE       |
| 261225   | 1         | PLUG INSERT 20 POLE MALE          |
| 261230   | 1         | PLUG INSERT 20 POLE FEMALE        |
| 261231   | 1         | PLUG HOUSING 20 POLE FEMALE       |
| 410922   | 1         | CYL.SKR 8.8 DEL M4X20 RST         |
| 411006   | 1         | SCREW M4X40 SLOTTED               |
| 420604   | 1         | BOLT HEX 8.8 DEL M10X25 FT DIN933 |
| 460423   | 1         | NUT HEX M10X1.5 LOCK              |
| 460666   | 1         | NUT HEX M4                        |
| 612566   | 1         | MOUNT BRACKET F.FAN CABLE ASSY    |
| 613837   | 1         | MOUNT PLATE FOR EC CONTROL BOX    |
| 725006   | 1         | CIRCUIT BOARD 4 VALVE             |
| 725014   | 1         | CONTROL BOX EC 4 SEC./12 PIN      |
| 725056   | 1         | PRINTED CIRC.W SW 3WAY 726961     |
| 726961   | 1         | CONTROL BOX EC 3 SEC./20 PIN      |
| 726962   | 1         | CONTROL BOX EC 4 SEC./20 PIN      |
| 727376   | 1         | CIRCUIT BOARD F.ESC 3 BANK        |
| 728072   | 1         | CABLE,20-PIN,6M EC/4              |
| 728073   | 1         | CABLE,20-PIN,6M, EC/3             |
| 728075   | 1         | CABLE F.CONTROL BOX 5M EC/3       |
| 728665   | 1         | CABLE EXT.-QUICK ATTACH 20 PIN    |
| 728666   | 1         | CABLE-QUICK ATTACH 12 PIN         |
| 728738   | 1         | DOUB.CONT.BOX & OR F/M PLATE      |
| 728739   | 1         | IN CAB CONTROL MOUNT KIT          |
| 729721   | 1         | CONTROL BOX ESC3                  |
| 983022   | 1         | WIRE 12 x 0.5 x 2MM x 12"         |
| 10297303 | 1         | CIRCUIT BOARD FOR T.M.S.          |
| 10411203 | 1         | RELAY T-82                        |



COMPLETE ASSEMBLIES  
WHOLEGOODS ITEMS

\*728739: COMPLETE ASSEMBLY

# B270

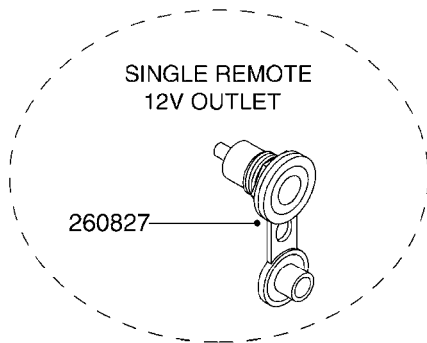


CONTROL BOX F/EC + ECSC POST96  
B270-HIN, 01:01:01

Page 1

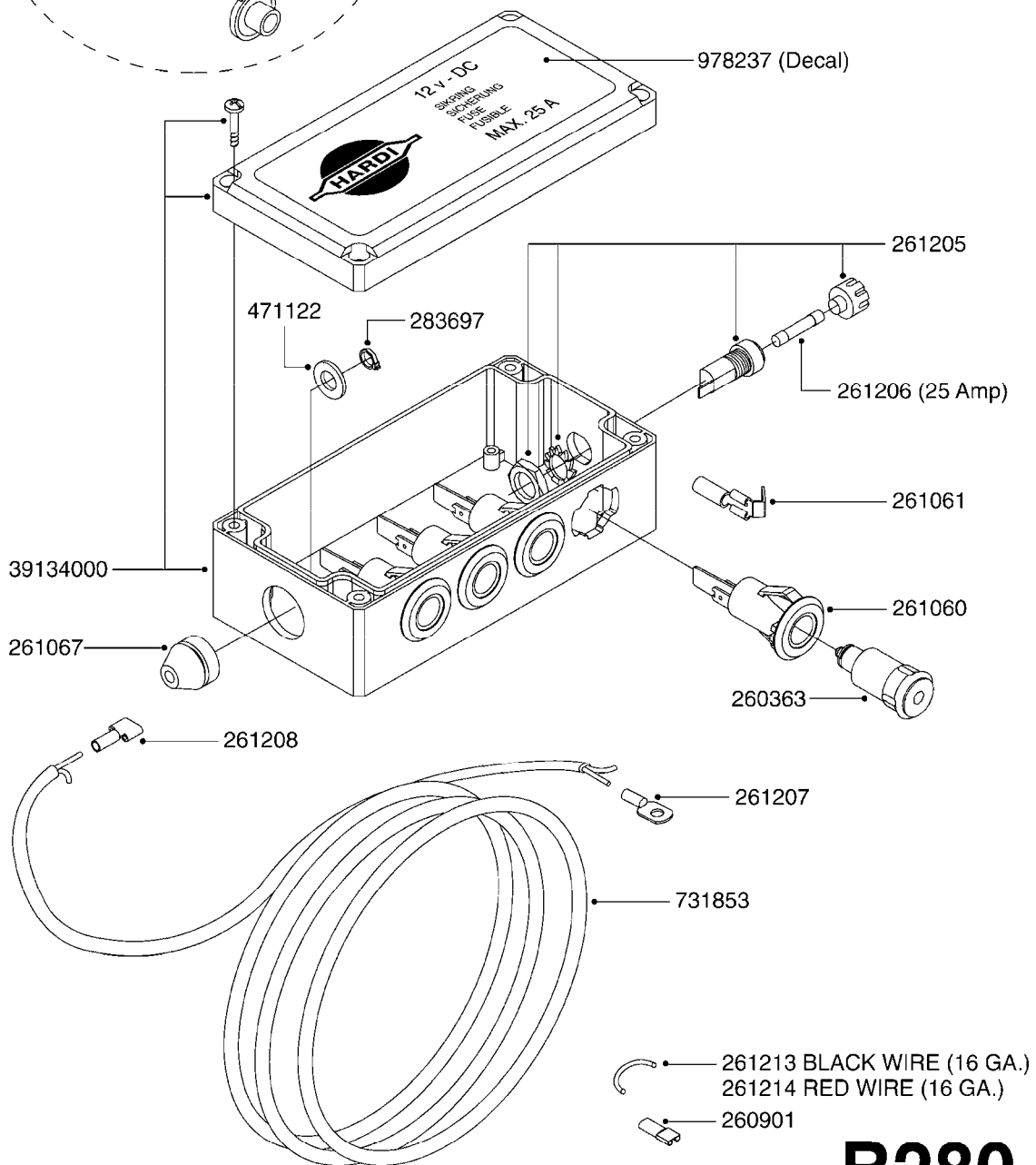
Date 06.04.2015 10:37

| parts-n° | order qty | description                       |
|----------|-----------|-----------------------------------|
| 142516   | 1         | SCREW SET M10 BENT F. LOCKING     |
| 260363   | 1         | PLUG 2 POLE 12V                   |
| 260816   | 1         | CAP W/RUBBER BOOT F.EC SWITCH     |
| 260827   | 1         | PLUG F.EC ATTACHMENTS             |
| 260934   | 1         | PLUG INSERT 12 POLE MALE          |
| 260956   | 1         | PLUG HOUSE 12 POL.MALE            |
| 261125   | 1         | FUSE 5 X 20 500mA                 |
| 261224   | 1         | PLUG HOUSING F/20 POLE MALE       |
| 261225   | 1         | PLUG INSERT 20 POLE MALE          |
| 261230   | 1         | PLUG INSERT 20 POLE FEMALE        |
| 261231   | 1         | PLUG HOUSING 20 POLE FEMALE       |
| 261409   | 1         | RELAY 12V F. ESC CNTRL BOX '96    |
| 261589   | 1         | FUSE 5 X 20 1.25 AMP              |
| 261741   | 1         | SWITCH 2 POLE 12V TOGGLE PRESS    |
| 261742   | 1         | SWITCH 2 POLE 12V ON/OFF          |
| 261963   | 1         | NUT F.EC SWITCH                   |
| 269019   | 1         | FUSE 5 X 20 1.0 AMP               |
| 269039   | 1         | FUSE 5 X 20 2.0 AMP               |
| 334638   | 1         | HOUSING F.EC PLASTIC BOX UPPER    |
| 334639   | 1         | COVER F.EC PLASTIC BOX -LOWER     |
| 410922   | 1         | CYL.SKR 8.8 DEL M4X20 RST         |
| 420604   | 1         | BOLT HEX 8.8 DEL M10X25 FT DIN933 |
| 460423   | 1         | NUT HEX M10X1.5 LOCK              |
| 460666   | 1         | NUT HEX M4                        |
| 612566   | 1         | MOUNT BRACKET F.FAN CABLE ASSY    |
| 613837   | 1         | MOUNT PLATE FOR EC CONTROL BOX    |
| 725127   | 1         | VELCRO KIT                        |
| 726961   | 1         | CONTROL BOX EC 3 SEC./20 PIN      |
| 726962   | 1         | CONTROL BOX EC 4 SEC./20 PIN      |
| 726963   | 1         | CONTROL BOX EC 5 SEC./20 PIN      |
| 728035   | 1         | CONTROL BOX EC 7 SEC.             |
| 728665   | 1         | CABLE EXT.-QUICK ATTACH 20 PIN    |
| 728738   | 1         | DOUB.CONT.BOX & OR F/M PLATE      |
| 728739   | 1         | IN CAB CONTROL MOUNT KIT          |
| 730526   | 1         | CON BX 4SEC/20PIN alt72127400     |
| 730527   | 1         | CIRCUIT B.ESC4 PLAST.W/SWITCH     |
| 731117   | 1         | CIRCUIT B.EC3 PLASTIC W/SWITCH    |
| 731118   | 1         | CIRCUIT B.EC4 PLASTIC W/SWITCH    |
| 731119   | 1         | CIRCUIT B.EC5 PLASTIC W/SWITCH    |
| 978039   | 1         | DECAL CONTROL BOX CB4 MISTBLOW    |
| 978356   | 1         | DECAL CONTRL BOX EVC/ESC3 ABS     |
| 978359   | 1         | DECAL CONTROL BOX EC4 ABS         |
| 978504   | 1         | DECAL CONTROL BOX ESC4 ABS        |
| 983022   | 1         | WIRE 12 x 0.5 x 2MM x 12"         |
| 72127200 | 1         | CIRCUIT B.ESC3 PLAST.W/SWITCH     |
| 72127300 | 1         | CONTROL BOX ESC 3 SEC./20 PIN     |



**COMPLETE ASSEMBLIES  
WHOLEGOODS ITEMS**

**817925 COMPLETE ASSEMBLY**



**B280**



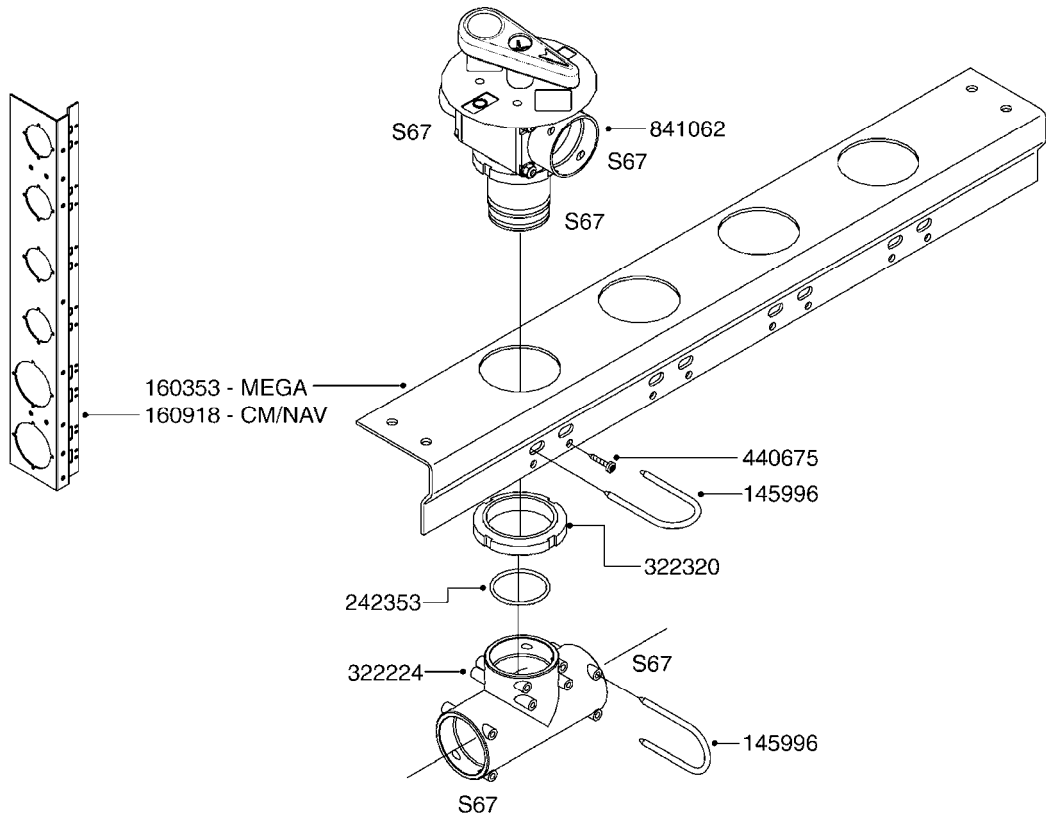


12 VOLT OUTLET BOX  
B280-HIN, 30:05:13

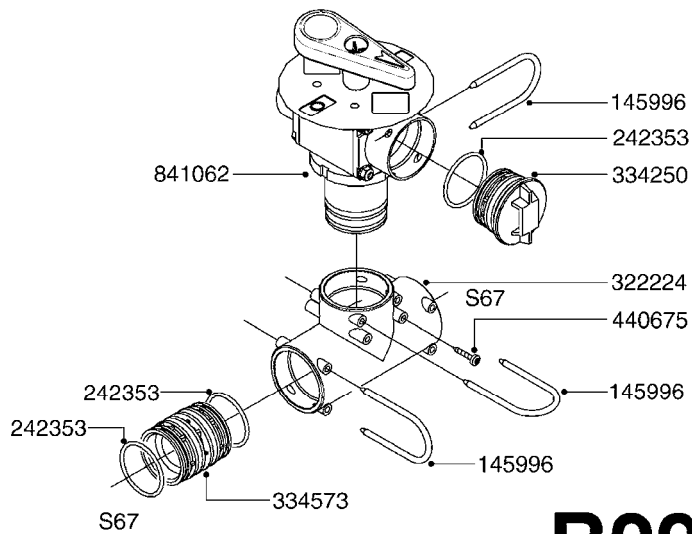
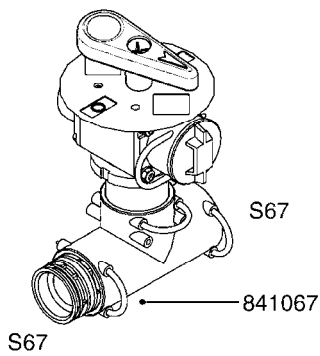
Page 1

Date 06.04.2015 10:37

| parts-n° | order qty | description                  |
|----------|-----------|------------------------------|
| 260363   | 1         | PLUG 2 POLE 12V              |
| 260827   | 1         | PLUG F.EC ATTACHMENTS        |
| 260901   | 1         | SPADE F.ELEC CONN.1.5MM BLUE |
| 261060   | 1         | PLUG F.EC ATTACHMENTS        |
| 261061   | 1         | SPADE F.ELEC.2 WAY CONNECTOR |
| 261067   | 1         | GROMMET 10-14 GREY           |
| 261205   | 1         | FUSE HOLDER                  |
| 261206   | 1         | FUSE 25 A                    |
| 261207   | 1         | ELECTRIC CONNECTOR 4MM       |
| 261208   | 1         | SPADE F.ELEC.CONNECTOR 4MM   |
| 261213   | 1         | WIRE 6.4MM BLACK             |
| 261214   | 1         | WIRE 6.4MM RED               |
| 283697   | 1         | TIESTRAP 200MM               |
| 471122   | 1         | WASHER D20/D10.5X2 SS        |
| 731853   | 1         | CABLE 2X4MM L=138"           |
| 817925   | 1         | OUTLET BOX 12 VOLT ELEC.     |
| 978237   | 1         | DECAL OUTLET BOX             |
| 39134000 | 1         | BOX, COMPLETE, 12V POWER BOX |



FOR S67 FITTINGS  
SEE PAGE H100



**B290**

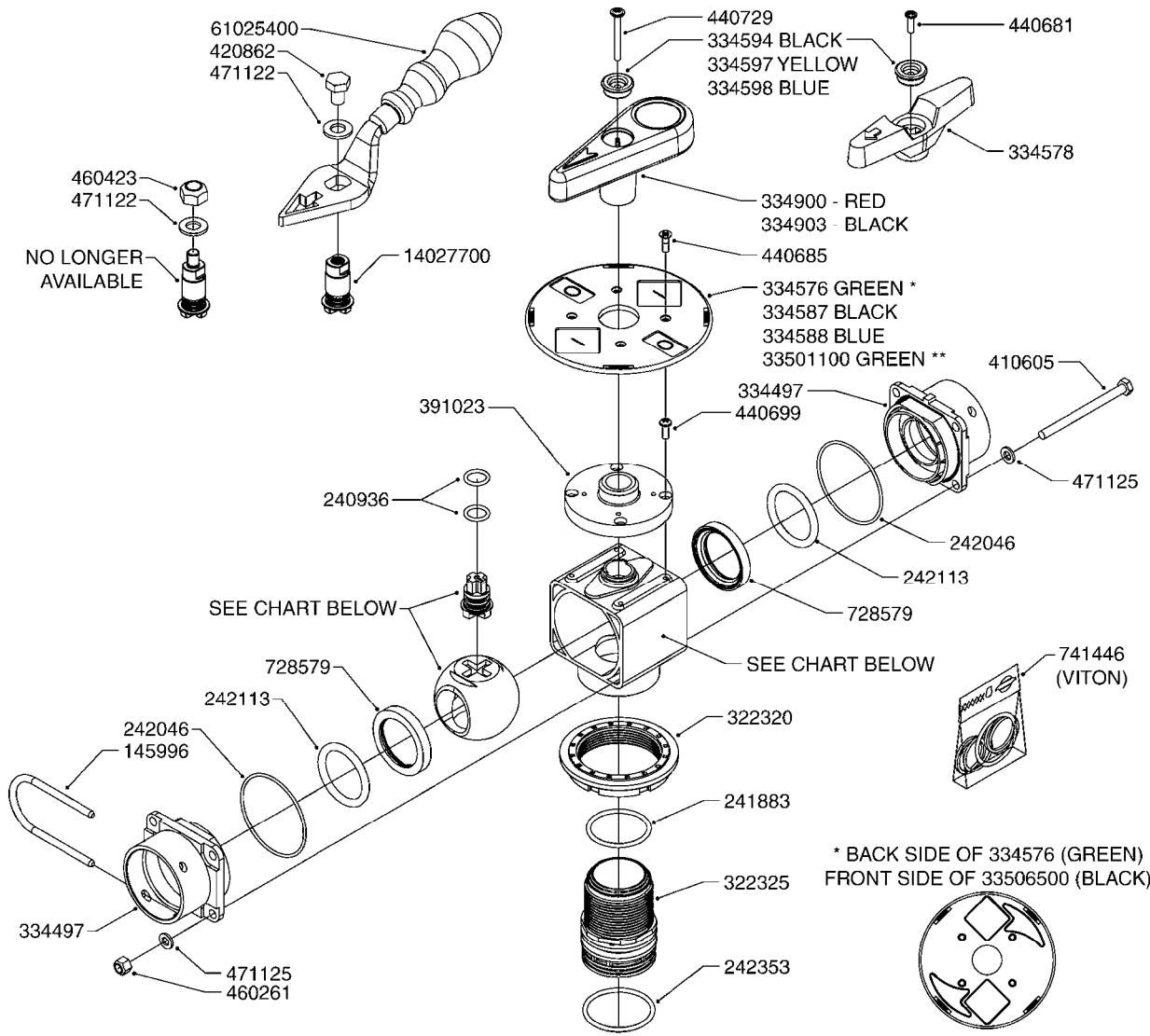


MANIFOLD SYSTEM - PRESSURE  
B290-HIN, 29:10:12

Page 1

Date 06.04.2015 10:37

| parts-n° | order qty | description                    |
|----------|-----------|--------------------------------|
| 145996   | 1         | FITT.DK S-67 FORK              |
| 160353   | 1         | BRACKET F.PRESSURE MANIFOLD    |
| 160918   | 1         | BRACKET F. MANIFOLD CM         |
| 242353   | 1         | O-RING D44.2X3.0 VITON F.S-67  |
| 322224   | 1         | FITT.DK S-67 TEE               |
| 322320   | 1         | NUT F.3 WAY VALVE S56          |
| 334250   | 1         | FITT.DK S-67 PLUG              |
| 334573   | 1         | FITT.DK S-67 CONNECTOR         |
| 440675   | 1         | SCREW F. PLASTIC 5X16 SS       |
| 841062   | 1         | VALVE KIT S67 PRESS. MANIFOLD  |
| 841067   | 1         | VALVE S67 PRESS.W/TEE MANIFOLD |



|          |        |          |        |        |        |          |
|----------|--------|----------|--------|--------|--------|----------|
|          |        |          |        |        | -      |          |
| 728391   | 334594 | 334576   | 390204 | 390623 | -      | 334600   |
| 728393   | 334598 | 334588   | 390238 | 390251 | -      | 334600   |
| 728945   | 334597 | -        | 390262 | 390777 | -      | 334600   |
| 729796   | 334594 | 334587   | 390204 | 390623 | -      | 334600   |
| 840062   | 334594 | 334576   | 391180 | 390623 | -      | 334600   |
| 841062   | 334594 | 334576   | 390204 | 390623 | -      | 334600   |
| 72172100 | -      | 33501100 | 391039 | 390623 | 391023 | 14027700 |
| 72172200 | -      | -        | 391039 | 390623 | -      | 334600   |
| 72283600 | 334594 | 33506500 | 391180 | 390623 | 391023 | 334600   |
| 72292500 | -      | -        | 391180 | 390623 | -      | 14027700 |
| 72538000 | -      | -        | 391039 | 390623 | 391023 | 14075700 |
| 72691600 | 334594 | 334587   | 390262 | 390623 | -      | 334600   |

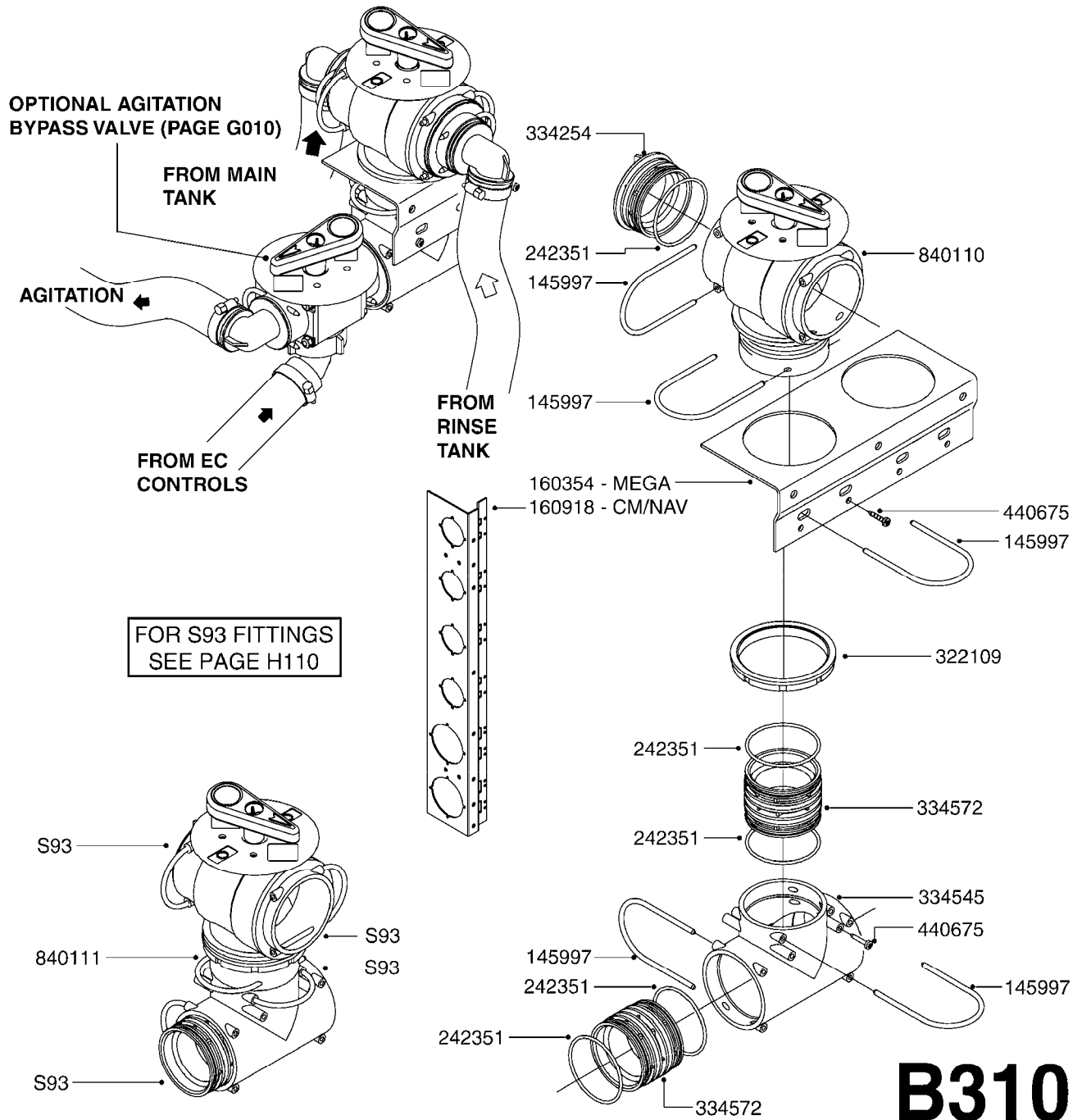
**B300**



MANIFOLD - S67 VALVE  
B300-HIN, 27:04:11

Page 1  
Date 06.04.2015 10:37

| parts-n° | order qty | description                    |
|----------|-----------|--------------------------------|
| 145996   | 1         | FITT.DK S-67 FORK              |
| 240936   | 1         | O-RING D13.3X2.4 NITRIL        |
| 241883   | 1         | O-RING D39.2X3 NITRIL 242020   |
| 242046   | 1         | O-RING D60X2                   |
| 242113   | 1         | O-RING D37.5X5.3 VITON         |
| 242353   | 1         | O-RING D44.2X3.0 VITON F.S-67  |
| 322320   | 1         | NUT F.3 WAY VALVE S56          |
| 322325   | 1         | FITT.DK S-67 X 1-1/2"BSP LONG  |
| 334497   | 1         | END COVER 3 WAY VALVE S-67     |
| 334576   | 1         | FACE PLATE F. BALL VALVE GREEN |
| 334578   | 1         | HANDLE FOR VALVE 'OLD' STYLE   |
| 334587   | 1         | FACE PLATE F.BALL VALVE BLACK  |
| 334588   | 1         | FACE PLATE F. BALL VALVE BLUE  |
| 334594   | 1         | PLUG F.VALVE HANDLE BLACK      |
| 334597   | 1         | PLUG F.VALVE HANDLE YELLOW     |
| 334598   | 1         | PLUG F.VALVE HANDLE BLUE       |
| 334600   | 1         | SPINDLE F.3 WAY VALVE          |
| 334900   | 1         | HANDLE F.3 WAY VALVE TALL '00  |
| 334903   | 1         | HANDLE S67/93 VALVE BLACK      |
| 390204   | 1         | BALL F. 3 WAY SUCTION VALVE    |
| 390238   | 1         | BALL F. 3 WAY PRESSURE VALVE   |
| 390251   | 1         | MOTOR HOUSING F. 3-WAY VALVE   |
| 390262   | 1         | BALL F. 2 WAY VALVE            |
| 390623   | 1         | HOUSING F.3 WAY VALVE          |
| 390777   | 1         | HOUSING F.BALL VALVE 3 WAY     |
| 391023   | 1         | SMART VALVE MOUNTING BRACKET   |
| 391039   | 1         | BALL F. S67 SMART VALVE        |
| 391180   | 1         | BALL F. AGITATOR S67 ARE 268   |
| 410605   | 1         | BOLT HEX 8.8 DEL M6X80         |
| 420862   | 1         | BOLT HEX 8.8 DEL M10X16 FT     |
| 440681   | 1         | SCREW F. PLASTIC 4MM X 14LG SS |
| 440685   | 1         | SCREW F.PLASTIC 4X14 SS C-SUNK |
| 440699   | 1         | SCREW F. PLASTIC 4MMM X12LG SS |
| 440729   | 1         | SCREW F. PLASTIC 4MM X40LG SS  |
| 460261   | 1         | NUT HEX M6X1 LOCK A2 DIN985    |
| 460423   | 1         | NUT HEX M10X1.5 LOCK           |
| 471122   | 1         | WASHER D20/D10.5X2 SS          |
| 471125   | 1         | WASHER M6U D12/D6.4x1.6 SS A2  |
| 728391   | 1         | VALVE S67 PRESSURE MANIFOLD    |
| 728393   | 1         | VALVE 3 WAY F.AGITAT.SHUTOFF   |
| 728579   | 1         | SEAL F BALL                    |
| 728945   | 1         | VALVE 2-WAY YELLOW W.S-67 ENDS |
| 729796   | 1         | VALVE S-67 MANUAL D33 J-D      |
| 741446   | 1         | REPAIR KIT F.S67 VALVE - VITON |
| 840062   | 1         | VALVE S67 PRESSURE AGITATION   |
| 841062   | 1         | VALVE KIT S67 PRESS. MANIFOLD  |
| 14027700 | 1         | SPINDLE F.SMART VALVE S67 L=36 |
| 14075700 | 1         | SPINDLE F.SMART VALVE S67 L=81 |
| 33501100 | 1         | FACE PLATE F.SMART VALVE GREEN |
| 33506500 | 1         | FACE PLATE F.BALL VALVE BLACK  |
| 61025400 | 1         | HANDLE SMART VALVE             |
| 72172100 | 1         | VALVE S67 "V1" SMART VALVE     |
| 72172200 | 1         | VALVE S67 "V2" SMART VALVE     |
| 72283600 | 1         | VALVE S67 AGITATION NCM        |
| 72292500 | 1         | VALVE S67 SMART VALVE NEW NAV  |
| 72538000 | 1         | VALVE S67, LONG SPINDLE        |
| 72691600 | 1         | VALVE, S67, 2-WAY F. FILLER    |





MANIFOLD SYSTEM - SUCTION  
B310-HIN, 29:10:12

Page 1

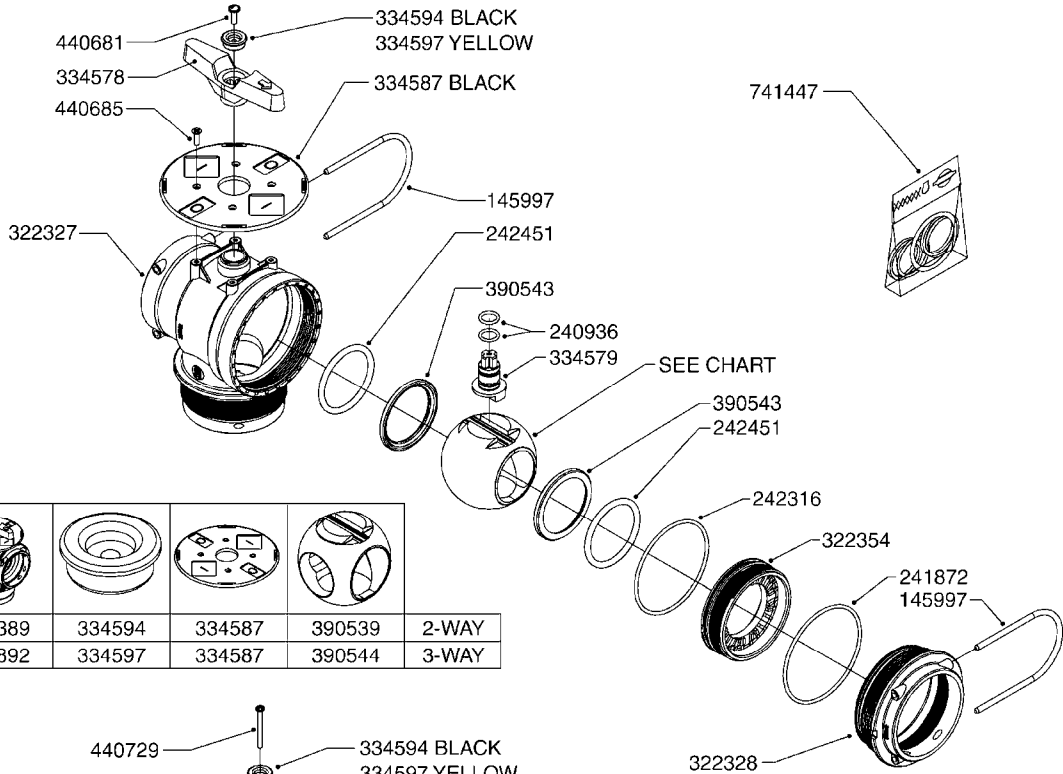
Date 06.04.2015 10:37

| parts-n° | order qty | description                    |
|----------|-----------|--------------------------------|
| 145997   | 1         | FITT.DK S-93 FORK              |
| 160354   | 1         | BRACKET F.SUCTION MANIFOLD     |
| 160918   | 1         | BRACKET F. MANIFOLD CM         |
| 242351   | 1         | O-RING D69.5X3.0 VITON F.S-93  |
| 322109   | 1         | FITT.DK S-93 BULKHEAD NUT      |
| 334254   | 1         | FITT.DK S-93 PLUG              |
| 334545   | 1         | FITT.DK S-93 TEE               |
| 334572   | 1         | FITT.DK S-93 ADAPTOR MALE MALE |
| 440675   | 1         | SCREW F. PLASTIC 5X16 SS       |
| 840110   | 1         | VALVE SUCTION S-93 F.MANIFOLD  |
| 840111   | 1         | VALVE SUCTION 3 WAY S-93 W.TEE |



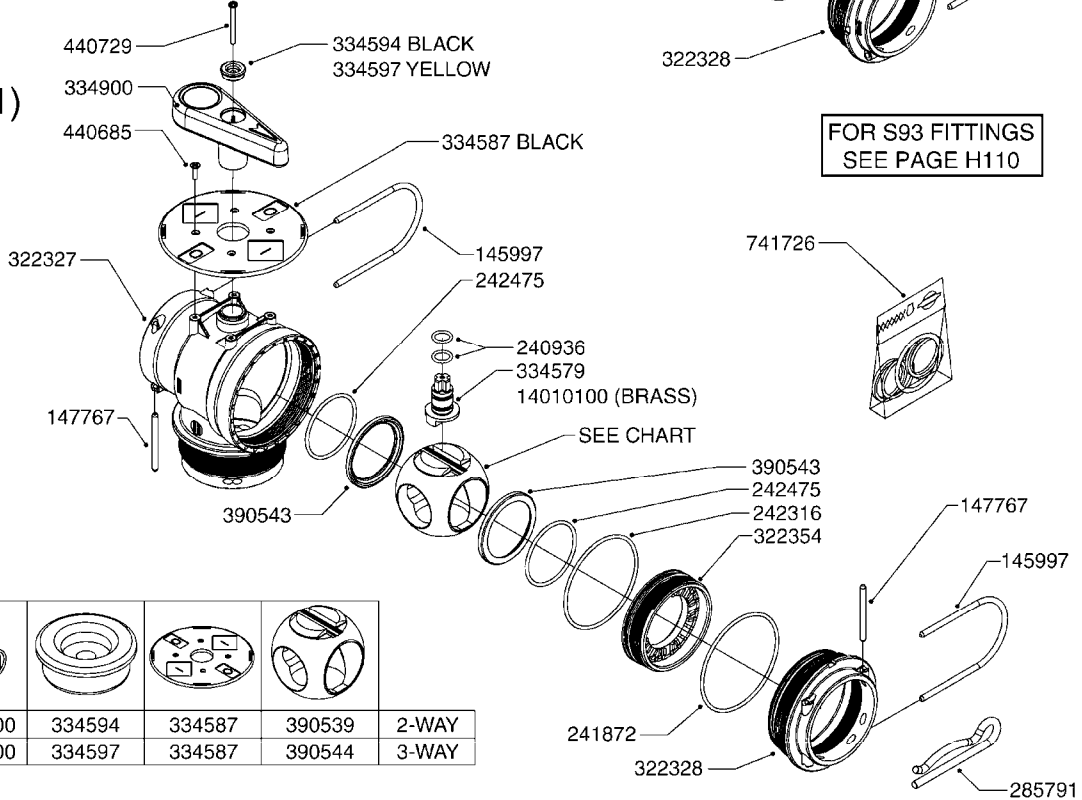
MANIFOLD - S93 VALVE  
B320 - HIN, 29:10:12

S93



|  |  |  |  |       |
|--|--|--|--|-------|
|  |  |  |  | 2-WAY |
|  |  |  |  | 3-WAY |

S93 (01)



|  |  |  |  |       |
|--|--|--|--|-------|
|  |  |  |  | 2-WAY |
|  |  |  |  | 3-WAY |

FOR S93 FITTINGS  
SEE PAGE H110

**B320**



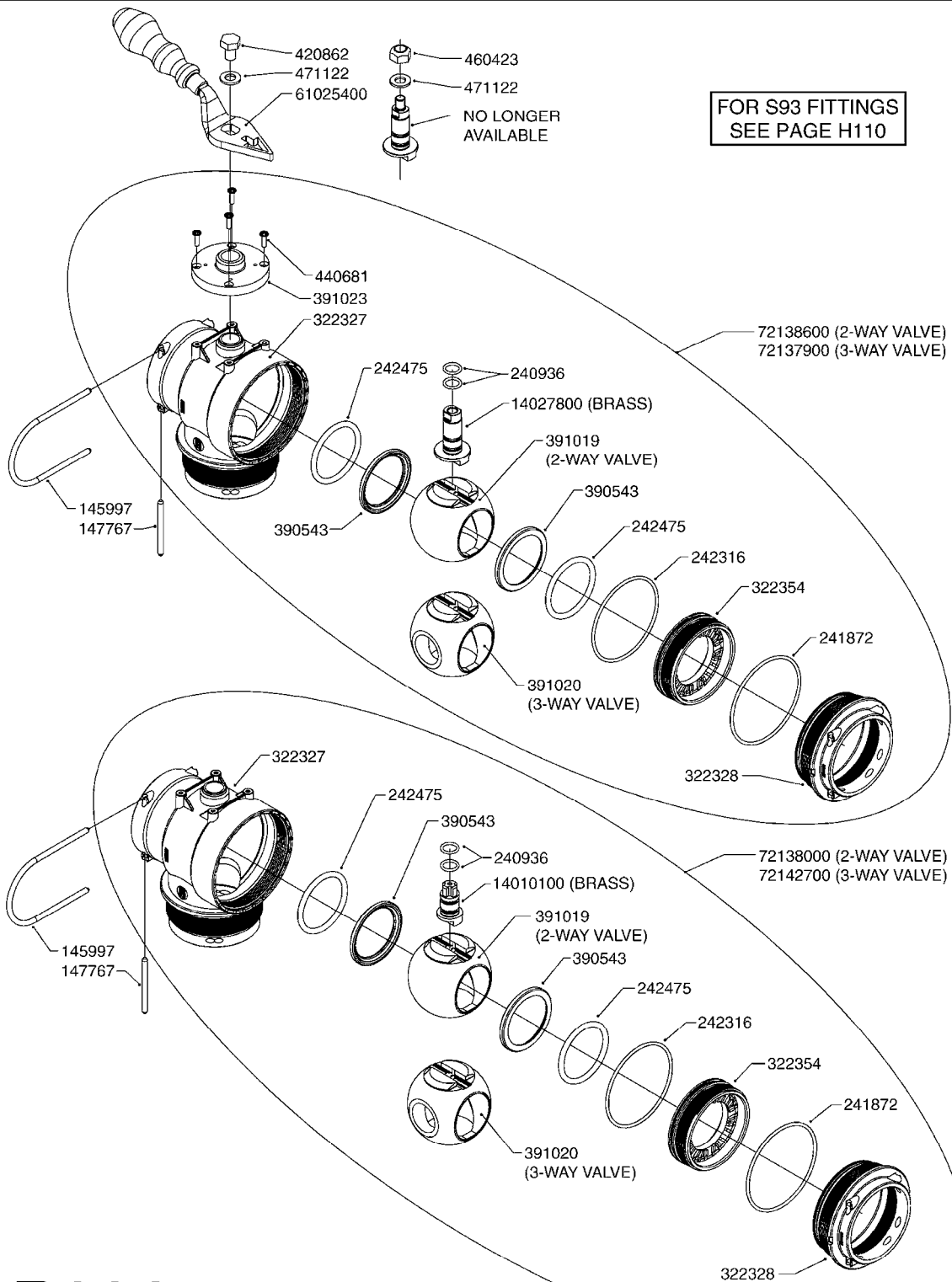


MANIFOLD - S93 VALVE  
B320-HIN, 29:10:12

Page 1

Date 06.04.2015 10:37

| parts-n° | order qty | description                    |
|----------|-----------|--------------------------------|
| 145997   | 1         | FITT.DK S-93 FORK              |
| 147767   | 1         | PIN 5Ø X 60 S-93 DOUBLE CLAMP  |
| 240936   | 1         | O-RING D13.3X2.4 NITRIL        |
| 241872   | 1         | O'RING D89.5 x 3.0 NITRIL      |
| 242316   | 1         | O-RING D84.5X3.0 NITRIL        |
| 242451   | 1         | O'RING D56.0 x 3.0 VITON       |
| 242475   | 1         | O'RING D56.52x5.33 SH70-VITON  |
| 285791   | 1         | HAIR PIN S93/S67               |
| 322327   | 1         | HOUSING, VALVE, S93, 220 PSI   |
| 322328   | 1         | END CAP F.VALVE S-93           |
| 322354   | 1         | THRUST PLATE F.3-WAY VALVES-93 |
| 334578   | 1         | HANDLE FOR VALVE 'OLD' STYLE   |
| 334579   | 1         | SPINDLE F.3 WAY VALVE S-93     |
| 334587   | 1         | FACE PLATE F.BALL VALVE BLACK  |
| 334594   | 1         | PLUG F.VALVE HANDLE BLACK      |
| 334597   | 1         | PLUG F.VALVE HANDLE YELLOW     |
| 334900   | 1         | HANDLE F.3 WAY VALVE TALL '00  |
| 390539   | 1         | BALL F.2 WAY S-93 VALVE        |
| 390543   | 1         | SEAT F.BALL 3-WAY VALVE S-93   |
| 390544   | 1         | BALL F.3 WAY S93 VLVE/SUCT.MAN |
| 440681   | 1         | SCREW F. PLASTIC 4MM X 14LG SS |
| 440685   | 1         | SCREW F.PLASTIC 4X14 SS C-SUNK |
| 440729   | 1         | SCREW F. PLASTIC 4MM X40LG SS  |
| 728389   | 1         | VALVE SUCTION S-93 MANIFOLD    |
| 728892   | 1         | VAL 2" S93/MEGA alt 72082400   |
| 741447   | 1         | REPAIR KIT F.S93 VALVE - VITON |
| 741726   | 1         | REPAIR KIT F.S93 VALVE VIT.'02 |
| 14010100 | 1         | SPINDLE F.SMART VALVE S-93     |
| 72082300 | 1         | VALVE SUC.S-93 MAN.02 2 WAY    |
| 72082400 | 1         | VALVE 2"-S93 3 WAY             |



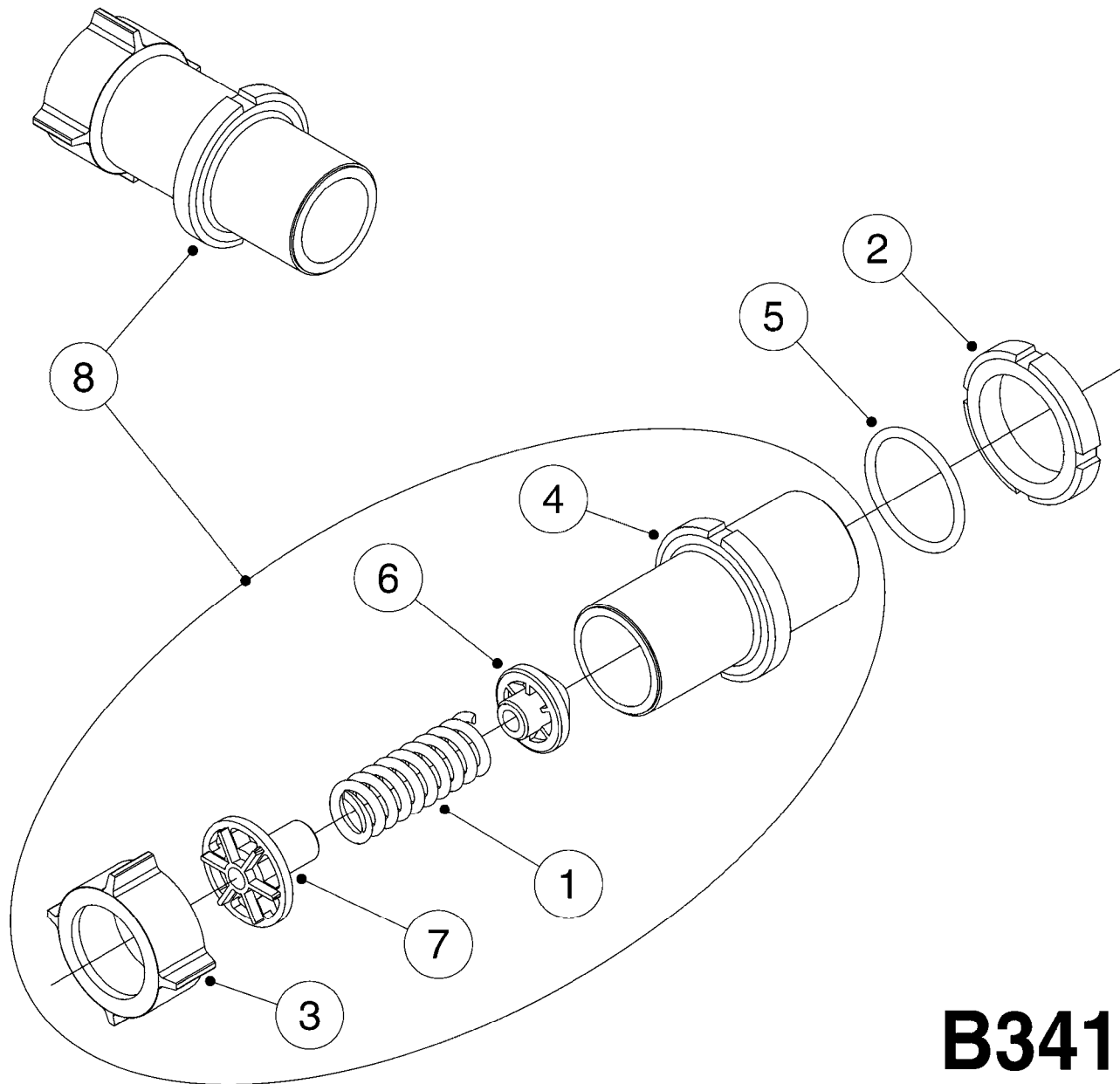
**B321**



SMART VALVE-S93 MANIFOLD VALVE  
B321-HIN, 29:10:12

Page 1  
Date 06.04.2015 10:37

| parts-n° | order qty | description                    |
|----------|-----------|--------------------------------|
| 145997   | 1         | FITT.DK S-93 FORK              |
| 147767   | 1         | PIN 5Ø X 60 S-93 DOUBLE CLAMP  |
| 240936   | 1         | O-RING D13.3X2.4 NITRIL        |
| 241872   | 1         | O'RING D89.5 x 3.0 NITRIL      |
| 242316   | 1         | O-RING D84.5X3.0 NITRIL        |
| 242475   | 1         | O'RING D56.52x5.33 SH70-VITON  |
| 322327   | 1         | HOUSING, VALVE, S93, 220 PSI   |
| 322328   | 1         | END CAP F.VALVE S-93           |
| 322354   | 1         | THRUST PLATE F.3-WAY VALVES-93 |
| 390543   | 1         | SEAT F.BALL 3-WAY VALVE S-93   |
| 391019   | 1         | BALL F.2 WAY S93 SMART VALVE   |
| 391020   | 1         | BALL F.3 WAY S93 SMART VALVE   |
| 391023   | 1         | SMART VALVE MOUNTING BRACKET   |
| 420862   | 1         | BOLT HEX 8.8 DEL M10X16 FT     |
| 440681   | 1         | SCREW F. PLASTIC 4MM X 14LG SS |
| 460423   | 1         | NUT HEX M10X1.5 LOCK           |
| 471122   | 1         | WASHER D20/D10.5X2 SS          |
| 14010100 | 1         | SPINDLE F.SMART VALVE S-93     |
| 14027800 | 1         | SPINDLE F.SMART VALVE S-93     |
| 61025400 | 1         | HANDLE SMART VALVE             |
| 72137900 | 1         | VALVE S93 "V1" SMART VALVE     |
| 72138000 | 1         | VALVE S93 "V2" SMART VALVE     |
| 72138600 | 1         | VALVE S93 "V3" SMART VALVE     |
| 72142700 | 1         | VALVE S93 "V4" SMART VALVE     |



**B341**

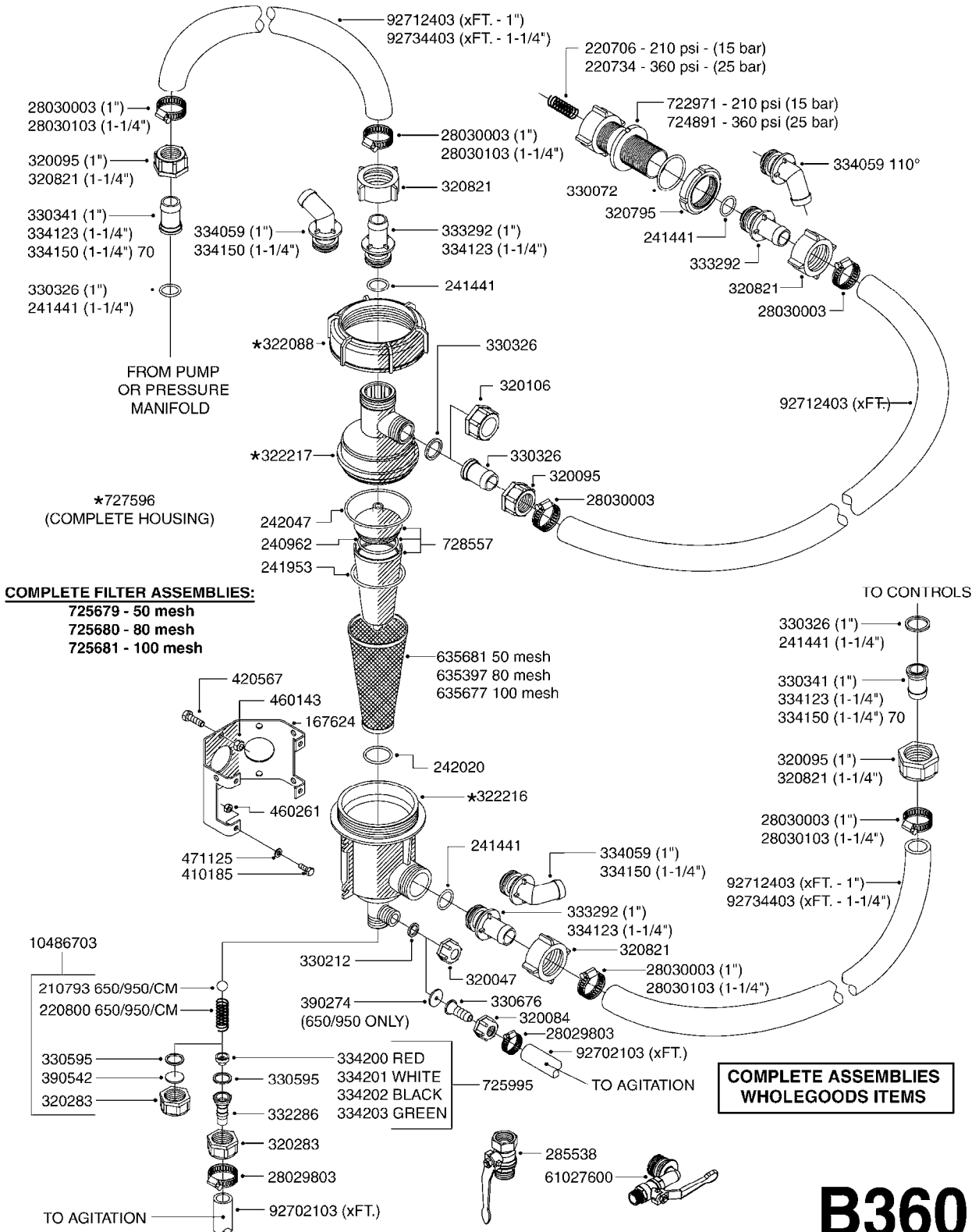


PRESSURE RELIEF VALVE  
B341-HIN, 10:05:11

Page 1

Date 06.04.2015 10:37

| Pos. | parts-n° | order qty | description                     |
|------|----------|-----------|---------------------------------|
| 1    | 220706   | 1         | SPRING SCF 12 BAR               |
| 1    | 220734   | 1         | SPRING SCF 25 BAR               |
| 2    | 320795   | 1         | FITT.DK NUT 1-1/2" BSP JAMB     |
| 3    | 320821   | 1         | FITT.DK NUT 1-1/2" BSP          |
| 4    | 321915   | 1         | HOUSING F. SAFETY VALVE         |
| 5    | 330072   | 1         | O-RING D53.5/D45.5X4            |
| 6    | 333853   | 1         | CONE D35.4                      |
| 7    | 333864   | 1         | GUIDE F. SAFETY VALVE SPRING    |
| 8    | 722971   | 1         | SAFETY VALVE SCF 217PSI (15BAR) |
| 8    | 724891   | 1         | SAFETY VALVE SCF 25 BAR         |



**B360**



| parts-n° | order qty | description                     |
|----------|-----------|---------------------------------|
| 10486703 | 1         | KIT F.UPDATING SCF              |
| 167624   | 1         | MOUNT BRACKET F. SCF            |
| 210793   | 1         | BALL F.SCF                      |
| 220706   | 1         | SPRING SCF 12 BAR               |
| 220734   | 1         | SPRING SCF 25 BAR               |
| 220800   | 1         | SPRING F.SCF                    |
| 240962   | 1         | O-RING D57,2X3 NITRIL           |
| 241441   | 1         | O-RING D29.3X3                  |
| 241953   | 1         | O-RING D73,03X3,53 VITON        |
| 242020   | 1         | O-RING 39.2 X 3 VITON           |
| 242047   | 1         | O-RING 89.5 X 3.0 VITON         |
| 28029803 | 1         | CLAMP HOSE GEAR P1/2" 6708      |
| 28030003 | 1         | CLAMP HOSE GEAR P1" 6716        |
| 28030103 | 1         | CLAMP HOSE GEAR P5/4-S1.5"6724  |
| 285538   | 1         | BALL VALVE 3/4" BSP             |
| 320047   | 1         | FITT.DK CAPNUT 1/2" BSP         |
| 320084   | 1         | FITT.DK NUT 1/2" BSP            |
| 320095   | 1         | FITT.DK NUT 1" BSP              |
| 320106   | 1         | FITT.DK CAPNUT 1" BSP           |
| 320283   | 1         | FITT.DK NUT 3/4"BSP             |
| 320795   | 1         | FITT.DK NUT 1-1/2" BSP JAMB     |
| 320821   | 1         | FITT.DK NUT 1-1/2" BSP          |
| 322088   | 1         | NUT LARGE F.SCF BODY            |
| 322216   | 1         | SCF HOUSING (THREADED) F.GROVE  |
| 322217   | 1         | SCF TOP (THREADED) W/GROVE      |
| 330072   | 1         | O-RING D53.5/D45.5X4            |
| 330212   | 1         | O-RING D19/D14X2.4 F.1/2"NUT    |
| 330326   | 1         | O-RING D30/D24X2 F.1"NUT        |
| 330341   | 1         | FITT.DK HB 1" F. 1" NUT         |
| 330595   | 1         | O-RING D24.6/D20X2.1 -3/4"      |
| 330676   | 1         | FITT.DK HB 3/8" F. 1/2" NUT     |
| 332286   | 1         | FITT.DK HB 1/2" F. 3/4" NUT     |
| 333292   | 1         | FITT.DK HB 1"O'RING F.1-1/2"    |
| 334059   | 1         | FITT.DK EL 1" 110 DEG.F.1-1/2"  |
| 334123   | 1         | FITT.DK HB 1-1/4"O-RNG F.1-1/2" |
| 334150   | 1         | FITT.DK HB 1-1/4" 110 F.1-1/2"  |
| 334200   | 1         | ORFICE 3MM FOR SCF RED          |
| 334201   | 1         | ORFICE 4MM FOR SCF WHITE        |
| 334202   | 1         | ORFICE 5MM FOR SCF BLACK        |
| 334203   | 1         | ORFICE 6MM FOR SCF GREEN        |
| 390274   | 1         | ORIFICE ID4.0/18/1.5            |
| 390542   | 1         | PLUG WASHER FOR 3/4'CAP NUT     |
| 410185   | 1         | BOLT HEX 8.8 DEL M6X16 A2       |
| 420567   | 1         | BOLT HEX 8.8 DEL M8X30 FT       |
| 460143   | 1         | NUT HEX M8 LOCK A2 DIN985       |
| 460261   | 1         | NUT HEX M6X1 LOCK A2 DIN985     |
| 471125   | 1         | WASHER M6U D12/D6.4x1.6 SS A2   |
| 61027600 | 1         | VALVE 1/2"BSP ASSY S5390        |
| 635397   | 1         | SCREEN SCF 80 MESH              |
| 635677   | 1         | SCREEN SCF 100 MESH             |
| 635681   | 1         | SCREEN SCF 50 MESH              |
| 722971   | 1         | SAFETY VALVE SCF 217PSI (15BAR) |
| 724891   | 1         | SAFETY VALVE SCF 25 BAR         |
| 725679   | 1         | SCF ASSY.50 W/THREADED TOP CAP  |
| 725680   | 1         | SCF ASSY.80 W/THREADED TOP CAP  |
| 725681   | 1         | SCF ASSY.100 W/THREADED CAP     |
| 725995   | 1         | BAG FOR SCF                     |
| 727596   | 1         | SCF HOUSING COMPLETE            |
| 728557   | 1         | CONE F.SCF RED                  |
| 92702103 | 1         | HOSE R X1/2" X300PSI WP X0012"  |
| 92712403 | 1         | HOSE R X1" X300PSI WP X0012"    |



SELF CLEANING FILTER-SCREW TOP  
B360-HIN, 27:05:09

Page 2

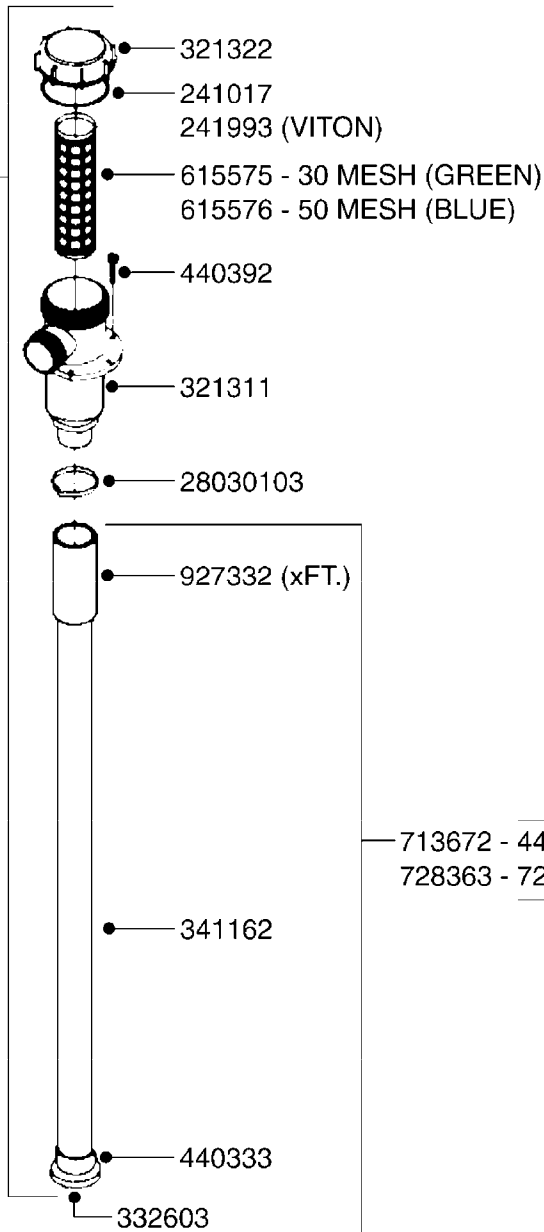
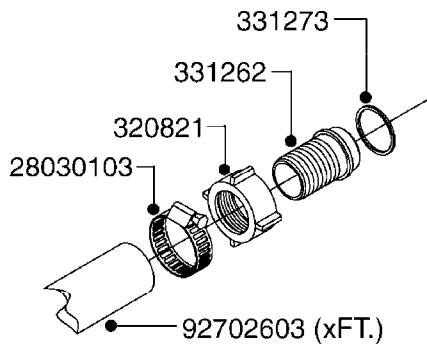
Date 06.04.2015 10:37

| parts-n° | order qty | description                    |
|----------|-----------|--------------------------------|
| 92734403 | 1         | HOSE R X5/4" X200PSI WP X0012" |





**COMPLETE ASSEMBLY**  
833770



713672 - 44"  
728363 - 72" CUT TO  
REQUIRED LENGTH

**COMPLETE ASSEMBLIES**  
**WHOLEGOODS ITEMS**

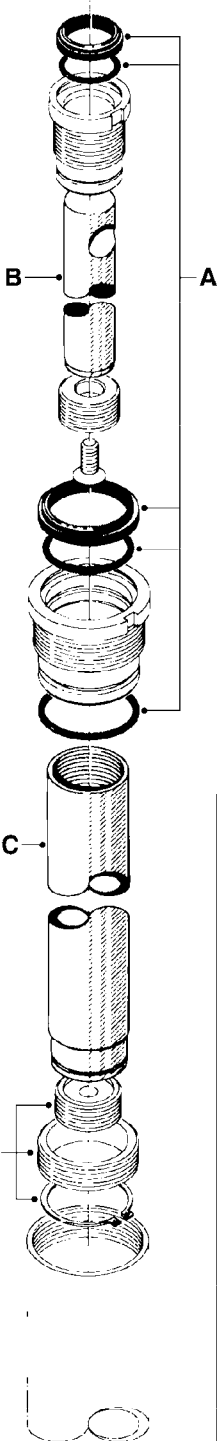
# B370



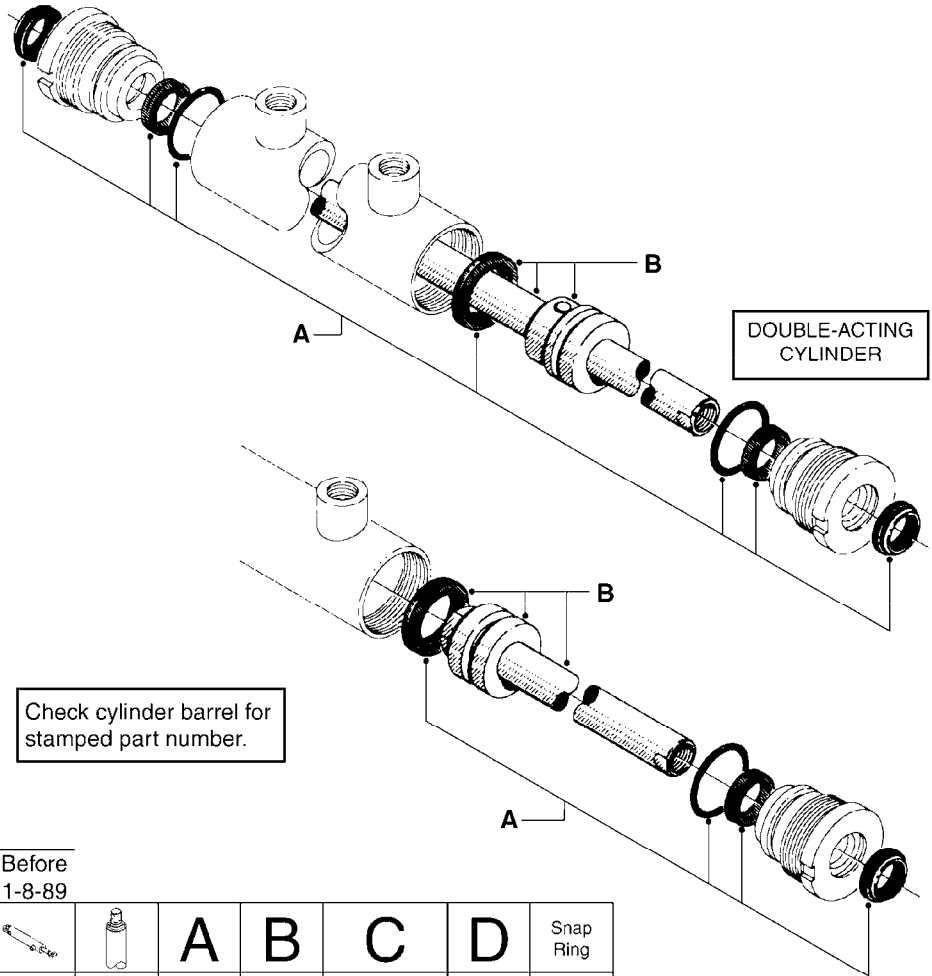
TOP SUCTION ASSEMBLY-SCREW CAP  
B370-HIN, 08:12:09

Page 1  
Date 06.04.2015 10:37

| parts-n° | order qty | description                    |
|----------|-----------|--------------------------------|
| 241017   | 1         | O-RING D74,5X3 NITRIL          |
| 241993   | 1         | O-RING 74.5 X 3MM VIT/241017   |
| 320821   | 1         | FITT.DK NUT 1-1/2" BSP         |
| 321311   | 1         | FILTER BODY S 80 X 4           |
| 321322   | 1         | SCREW CAP F. S80 X 4           |
| 331262   | 1         | FITT.DK HB 1-1/2" F. 1-1/2"NUT |
| 331273   | 1         | O-RING D44/D38X2 F.1-1/2"      |
| 332603   | 1         | CAP F. SUCTION TUBE            |
| 341162   | 1         | SUCTION TUBE F.650             |
| 440333   | 1         | SCREW 3.5 X 9.5 SS             |
| 440392   | 1         | SCREW 6.3 X 25.0 DIN7981C TORX |
| 615575   | 1         | FILTER F.TOP SUCT.30 MESH GRN. |
| 615576   | 1         | FILTER F.TOP SUCT.50 MESH BLUE |
| 713672   | 1         | SUCTION TUBE L=44"             |
| 728363   | 1         | SUCTION TUBE ASSY.L=72"        |
| 833770   | 1         | TOP SUCTION KIT 300/500        |
| 927332   | 1         | HOSE R X 28BAR X 40MM X 0012"  |
| 28030103 | 1         | CLAMP HOSE GEAR P5/4-S1.5"6724 |
| 92702603 | 1         | HOSE PVC SUCT GRAY 1-1/2"      |

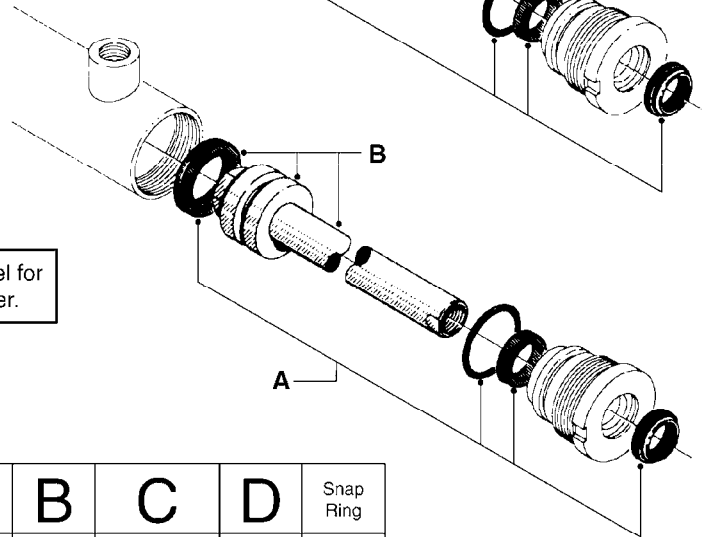


MULTI-STAGE CYLINDER



DOUBLE-ACTING CYLINDER

Check cylinder barrel for stamped part number.



SINGLE-ACTING CYLINDER

| After<br>1-8-89 | Before<br>1-8-89 |        | A      | B      | C                        | D      | Snap<br>Ring     |
|-----------------|------------------|--------|--------|--------|--------------------------|--------|------------------|
|                 |                  | 781001 | 750211 | 145962 | 728747                   | 729630 | 283713           |
| 781021          | 781002           |        | 750212 | 726137 |                          |        |                  |
| 781003          | 781003           |        | 750212 | 726138 |                          |        |                  |
|                 |                  | 781004 | 750213 | 145963 | 728735                   | 729631 | 283724           |
| 781023          | 781005           |        | 750214 | 726139 |                          |        |                  |
|                 |                  | 781006 | 750211 | 145964 | 159165                   | 729632 | 283713           |
| 781023          | 781007           |        | 750214 | 726139 |                          |        |                  |
| 781008          | 781008           |        | 750212 | 726140 |                          |        |                  |
|                 |                  | 781010 | 750211 | 145964 | 159166                   | 729632 | 283713           |
|                 |                  | 781011 | 755415 | 729729 | 729730                   | 729635 | 283800           |
|                 |                  | 781012 | 750238 | 614624 | 614625-Ø60<br>614626-Ø80 | 729633 | 283843           |
| 781013          | 781013           |        | 750239 | 726141 |                          |        |                  |
| 781022          | 781014           |        | 750212 | 726137 |                          |        |                  |
| 781016          |                  |        | 750212 | 726137 |                          |        |                  |
| 781020          |                  |        | 750252 |        |                          | 728688 |                  |
|                 |                  | 781032 | 750213 | 146538 | 150325                   | 729634 | 283724           |
|                 |                  | 781034 | 750211 | 147076 | 151291                   | 729630 | 283713           |
|                 |                  | 781036 | 755415 | 615181 | 615180                   | 729635 | 283800           |
|                 |                  | 781040 | 750213 | 146732 | 151286                   | 729631 | 283724           |
|                 |                  | 781042 | 750254 | 615248 | 615249-Ø60<br>615250-Ø80 | 729637 | 283800<br>283843 |
| 781046          |                  |        | 750255 | 730938 |                          |        |                  |
| 781050          |                  |        | 750255 | 730939 |                          |        |                  |
| 781056          |                  |        | 750255 | 730939 |                          |        |                  |
| 781057          |                  |        | 750255 | 730938 |                          |        |                  |
| 781086          |                  |        | 750212 | 726137 |                          |        |                  |

**C010**



| parts-n° | order qty | description                    |
|----------|-----------|--------------------------------|
| 145962   | 1         | VASTAGO PISTON D. 25 X 675     |
| 145963   | 1         | PISTON ROD 30 X 768.5          |
| 145964   | 1         | PISTON ROD 25 X 575            |
| 146538   | 1         | PISTON ROD Ø60/50/30-1700      |
| 146732   | 1         | CYLINDER ROD F. 781040 HYD CYL |
| 147076   | 1         | PISTON ROD 25 X 725            |
| 150325   | 1         | INTER.SHAFT Ø50/40 L=930       |
| 151286   | 1         | INTER. SHAFT F.781040 HYD CYL  |
| 151291   | 1         | INTER.SHAFT Ø40/30 L=675.5     |
| 159165   | 1         | INTER. SHAFT F. 781006 HYD CYL |
| 159166   | 1         | INTER. SHAFT F.781010 HYD CYL  |
| 283713   | 1         | SNAP-RING OUTER 38X1.75        |
| 283724   | 1         | SNAP-RING OUTER 48X1.75        |
| 283800   | 1         | SNAP-RING 58X2                 |
| 283843   | 1         | SNAP-RING 78X2.5               |
| 614624   | 1         | PISTON ROD D40X865             |
| 614625   | 1         | PIPE INTERMEDIA D60X785        |
| 614626   | 1         | PIPE INTERMEDIA D80X769        |
| 615180   | 1         | INTER.SHAFT Ø60/50 L=918       |
| 615181   | 1         | PISTON ROD Ø70/60/40-1687      |
| 615248   | 1         | PISTON ROD Ø90/80/60/40-2250   |
| 615249   | 1         | PISTON ROD Ø60/50 L=853        |
| 615250   | 1         | PISTON ROD Ø80/70 L=829        |
| 726137   | 1         | PISTON ROD /PISTON PACKED      |
| 726138   | 1         | PISTON ROD /PISTON PACKED      |
| 726139   | 1         | PISTON ROD /PISTON PACKED      |
| 726140   | 1         | PISTON ROD /PISTON PACKED      |
| 726141   | 1         | PISTON ROD /PISTON PACKED      |
| 728735   | 1         | CYLINDER TUBE W.STOP RING      |
| 728688   | 1         | PISTON ROD/PISTON 50/30-300    |
| 728747   | 1         | INNER CYL.W.STOP RING 781001   |
| 729630   | 1         | PISTON RINGS F.781001,781034   |
| 729631   | 1         | PISTON RINGS F.781004,781040   |
| 729632   | 1         | PISTON RINGS F.781006,781010   |
| 729633   | 1         | PISTON RINGS F.781012          |
| 729634   | 1         | PISTON RINGS F.781032          |
| 729635   | 1         | PISTON RINGS F.781036          |
| 729637   | 1         | PISTON RINGS F.781042          |
| 729729   | 1         | PISTON ROD ASSY. 40 x 760MM    |
| 729730   | 1         | PISTON ROD W/SEAL & RING       |
| 730938   | 1         | PISTON ROD ASSY. F.781046/57   |
| 730939   | 1         | PISTON ROD ASSY. F. 781050/56  |
| 750211   | 1         | SEAL KIT F/781001 & 781006     |
| 750212   | 1         | SEAL KIT F.40/20 CYLINDER      |
| 750213   | 1         | SEAL KIT F.60/50/30 CYLINDER   |
| 750214   | 1         | SEAL KIT F.HY CYL.             |
| 750238   | 1         | PACKING SET FOR HY CYL. 781012 |
| 750239   | 1         | PACKING SET FOR HY CYL. 781013 |
| 750252   | 1         | SEAL KIT F.HY CYL.781020       |
| 750254   | 1         | SEAL KIT F.HY CYL.781042       |
| 750255   | 1         | SEAL KIT F.40/22 CYLINDER      |
| 755415   | 1         | SEAL KIT F.HY CYL.781011       |
| 781001   | 1         | CYL.TELESOPING Ø50/40/25 1100  |
| 781002   | 1         | DOUBLE CYLINDER D 40/20-300    |
| 781003   | 1         | CYLINDER DOUBLE D40/20-180     |
| 781004   | 1         | CYLINDER DOUB. D70/50/30-1300  |
| 781005   | 1         | CYLINDER D50/25 L=300          |
| 781006   | 1         | CYLINDER DOUB.D50/40/25-900    |
| 781007   | 1         | CYLINDER LY/TY                 |
| 781008   | 1         | CYLINDER D40/20-120            |
| 781010   | 1         | CYLINDER TELESC.50/40/25-700   |



HYDRAULICS - CYLINDERS  
C010-HIN, 01:01:01

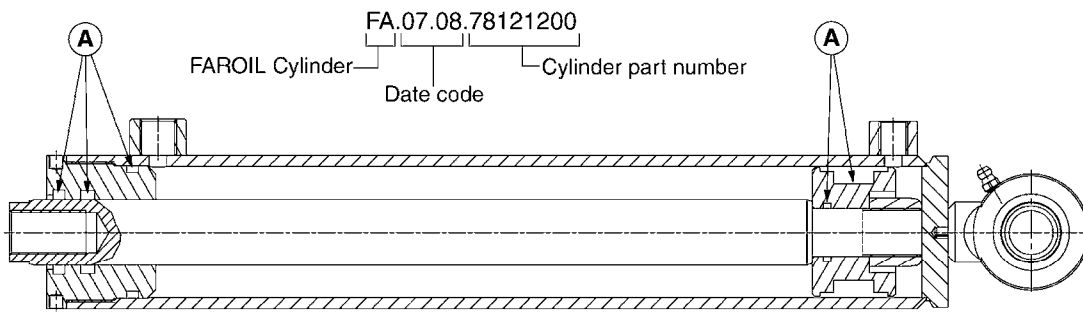
Page 2

Date 06.04.2015 10:37

| parts-n° | order qty | description                    |
|----------|-----------|--------------------------------|
| 781011   | 1         | CYLINDER TElesc.70/60/40       |
| 781012   | 1         | CYLINDER TEL.90/80/60/40-2100  |
| 781013   | 1         | CYLINDER D40/20X310 THROUGH    |
| 781014   | 1         | CYLINDER 40/20 300MM           |
| 781016   | 1         | CYLINDER DOU.W/SIDE DET.D40/20 |
| 781020   | 1         | CYL DOUB D50/30-300 78121600   |
| 781021   | 1         | DOUBLE CYLINDER D 40/20-300    |
| 781022   | 1         | CYLINDER 40/20 300MM           |
| 781023   | 1         | CYLINDER D50/25 L=300          |
| 781032   | 1         | CYLINDER TElesc.60/50/30-1700  |
| 781034   | 1         | HY. CYLINDER D50/40/25 - 1200  |
| 781036   | 1         | CYLINDER TElesc.70/60/40-1687  |
| 781040   | 1         | CYLINDER 60/50/30 1100MM       |
| 781042   | 1         | CYLINDER TEL.90/80/60/40-2250  |
| 781046   | 1         | CYLINDER D40/22-300            |
| 781050   | 1         | CYLINDER D40/22-300 EXT.THREAD |
| 781056   | 1         | CYLINDER 40/22X300MM           |
| 781057   | 1         | CYLINDER D40/22X300MM          |
| 781086   | 1         | CYLINDER DOUBLE Ø40/20-180     |



Check cylinder barrel for stamped part number.



FAROIL cylinders directly replace the cylinders in the chart below. Seal kits (A) are for FAROIL cylinders only. Seal kits for replaced cylinders can be found on pages C010 and C020.

| FAROIL Cylinder # | Replaces Cylinder # | FAROIL Seal Kit (A) |
|-------------------|---------------------|---------------------|
| 78120000          | 781001              | 75075900            |
| 78120100          | 781011              | 75076000            |
| 78120200          | 781034              | 75075900            |
| 78120300          | 781040              | 75076100            |
| 78120500          | 781093              | 75074600            |
| 78120600 (LH)     | 781096*             | 28117300            |
| 78120700 (LH)     | 781097*             | 28117300            |
| 78120800          | 781100              | 75075400            |
| 78121000          | -                   | 75075500            |
| 78121200          | 781107              | 75074500            |
| 78121400          | 781109              | 75075200            |
| 78121600          | 781111              | 75074500            |
| 78121800          | 781113              | 75074400            |
| 78122000          | 781115              | 75074300            |
| 78122100          | 781116              | 75074400            |
| 78122300          | 781118              | 75074300            |
| 78122400          | 781119              | 75074300            |
| 78122600          | 781121              | 75075000            |
| 78122700          | 781122              | 75075000            |

| FAROIL Cylinder # | Replaces Cylinder # | FAROIL Seal Kit (A) |
|-------------------|---------------------|---------------------|
| 78122800          | 781123              | 75075000            |
| 78122900          | 781124              | 75075000            |
| 78123100          | 781126              | 75074300            |
| 78123200          | 781127              | 75074300            |
| 78123300 (LH)     | 78115000*           | 75075500            |
| 78124100 (RH)     | 78115100*           | 75075500            |
| 78124200**        | 781139              | 75074800            |
| 78124300 (LH)     | 781141*             | 28117300            |
| 78124600          | 781115              | 75074300            |
| 78125100 (RH)     | 78115000*           | 75075500            |
| 78125300 (LH)     | 78115100*           | 75075500            |
| 78125500 (RH)     | 781096*             | 28117300            |
| 78125600 (RH)     | 781097*             | 28117300            |
| 78125700 (RH)     | 781141*             | 28117300            |
| 78126000          | 781132              | 75074900            |
| 78126400          | 781090              | 75076500            |
| 78128000          | 78120500            | 75074600            |
| 78128800          | 78121200            | 75075200            |

\*Replaced by separate left and right cylinders.

\*\* Only available as 72531000 (78124200 with fittings).

**C025**



| parts-n° | order qty | description                                                  |
|----------|-----------|--------------------------------------------------------------|
| 781001   | 1         | CYL.TELESOPING Ø50/40/25_1100                                |
| 781011   | 1         | CYLINDER TELESC.70/60/40                                     |
| 781034   | 1         | HY. CYLINDER D50/40/25 - 1200                                |
| 781040   | 1         | CYLINDER 60/50/30 1100MM                                     |
| 781090   | 1         | CYL DBLD32/16-200W                                           |
| 781093   | 1         | CYLINDER FOLD SPC D60/30 L=300                               |
| 781096   | 1         | CYLINDER 60/25 X 662 NAV PAR                                 |
| 781097   | 1         | CYLINDER 60/25 X 725 CM PAR                                  |
| 781100   | 1         | CYLINDER DOUBLE 60/30-300                                    |
| 781107   | 1         | DOBCYL50/30-500/M24X2 78121200                               |
| 781109   | 1         | DOUBLE CYLINDER D 50/30-300                                  |
| 781111   | 1         | CYL DOUB D50/30-300 78121600                                 |
| 781113   | 1         | CYLINDER D50/25 L=300                                        |
| 781115   | 1         | DOUBLE CYLINDER D 40/20-300                                  |
| 781116   | 1         | CYLINDER DOUBLE D50/25-298                                   |
| 781118   | 1         | CYLINDER DOUBLE D40/20-180                                   |
| 781119   | 1         | DOUBLE CYLINDER D 40/20-300                                  |
| 781121   | 1         | CYLINDER D40/22-300 BLACK                                    |
| 781122   | 1         | CYLINDER 40/22X300MM RED                                     |
| 781123   | 1         | CYLINDER D40/22-300 BLACK                                    |
| 781124   | 1         | CYLINDER 40/22X300MM RED                                     |
| 781126   | 1         | CYLINDER D40/20-120                                          |
| 781127   | 1         | CYLINDER D40/20-120                                          |
| 781132   | 1         | CYL.STAB CM1200 04 78126000                                  |
| 781139   | 1         | CYLINDER D25/12-50                                           |
| 781141   | 1         | CYLINDER 60/25 X 635 DELTA PAR                               |
| 28117300 | 1         | SEAL KIT 78120600/07/43                                      |
| 72531000 | 1         | CYL. D25/12-50/78124200 W/FITT                               |
| 75074300 | 1         | SEALKIT78122000/23-25/30-32/46                               |
| 75074400 | 1         | SEAL KIT 78121800/21/44                                      |
| 75074500 | 1         | SEALKIT78121100-13/15/16/36/48                               |
| 75074600 | 1         | SEAL KIT 78120500/49                                         |
| 75074800 | 1         | SEAL KIT 78123400/42                                         |
| 75074900 | 1         | SEAL KIT 78123700                                            |
| 75075000 | 1         | SEAL KIT 78122600/27/28/29                                   |
| 75075200 | 1         | SEAL KIT 78120900/14/50                                      |
| 75075400 | 1         | SEAL KIT 78120800                                            |
| 75075500 | 1         | SEAL KIT 78121000/33/41/51/53                                |
| 75075900 | 1         | SEAL KIT FOR 78120000 & 78120200                             |
| 75076000 | 1         | SEAL KIT 78120100                                            |
| 75076100 | 1         | SEAL KIT 78120300                                            |
| 75076500 | 1         | SEAL KIT 78126400                                            |
| 78115000 | 1         | DBL CYL D70/40-320 AIRING                                    |
| 78115100 | 1         | CYL DOB.D70/40-265 AIR INLET R                               |
| 78120000 | 1         | CYL.TELESOPING Ø50/40/25_1100                                |
| 78120100 | 1         | CYLINDER TELESC.70/60/40                                     |
| 78120200 | 1         | HY. CYLINDER D50/40/25 - 1200                                |
| 78120300 | 1         | CYLINDER 60/50/30 1100MM                                     |
| 78120500 | 1         | CYLINDER FOLD SPC D60/30 L=300<br>NLA - REPLACED BY 78128000 |
| 78120600 | 1         | CYLINDER 60/25 X 662 NAV PAR L                               |
| 78120700 | 1         | CYLINDER 60/25 X 725 CM PAR L                                |
| 78120800 | 1         | CYLINDER DOUBLE 60/30-300                                    |
| 78121000 | 1         | CYLINDER DOUBLE D70/40-400                                   |
| 78121200 | 1         | CYLINDER, D50/30-500                                         |
| 78121400 | 1         | CYLINDER DOUBLE D50/30-300                                   |
| 78121600 | 1         | CYLINDER DOUBLE D50/30-300                                   |
| 78121800 | 1         | CYLINDER D50/25 L=300                                        |
| 78122000 | 1         | CYLINDER DOUBLE Ø40/20-300 0°                                |
| 78122100 | 1         | CYLINDER DOUBLE D50/25-298                                   |
| 78122300 | 1         | CYLINDER DOUBLE D40/20-180                                   |



HYDRAULICS - FAROIL CYLINDERS  
C025-HIN, 15:08:12

Page 2

Date 06.04.2015 10:37

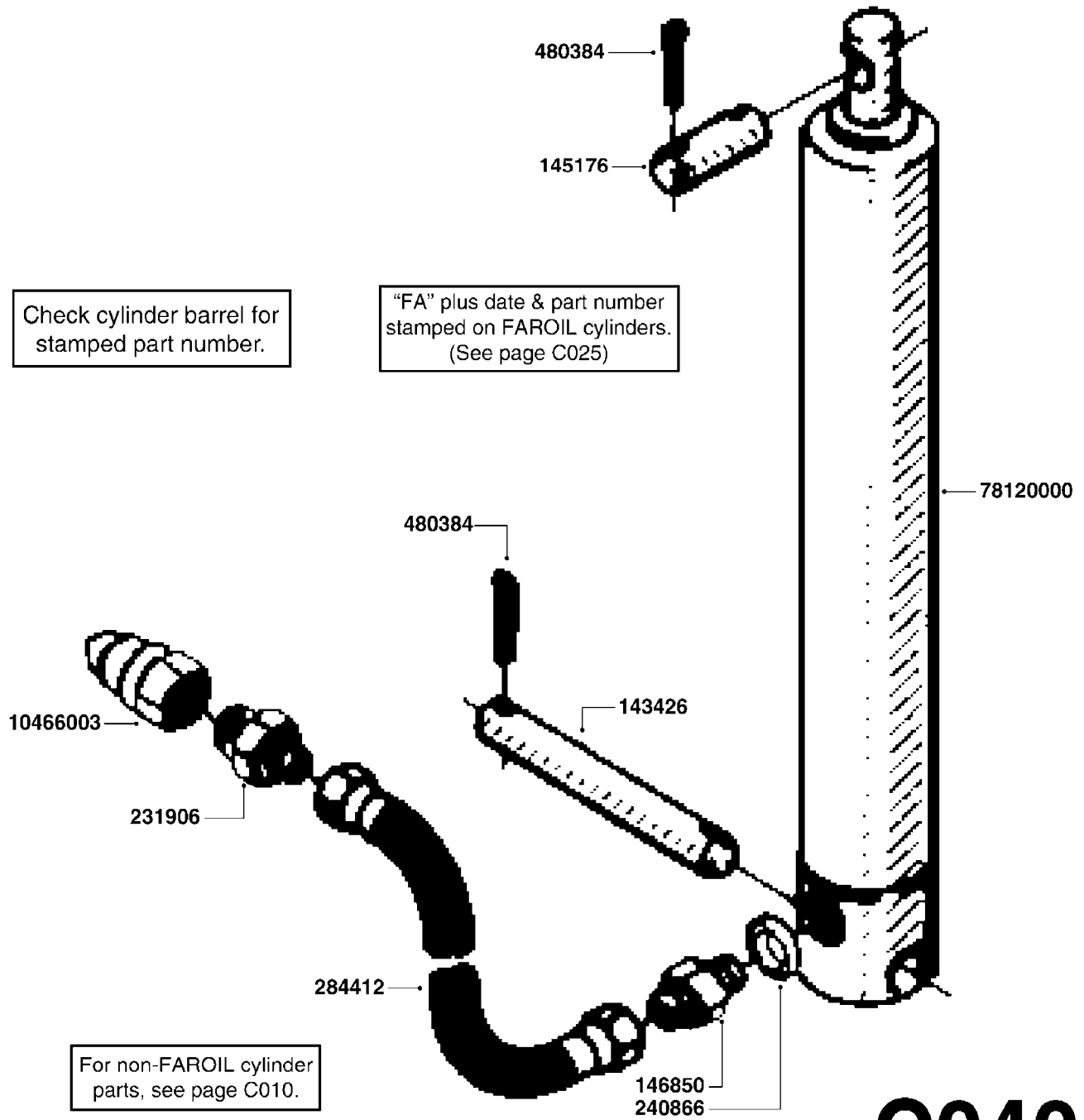
| parts-n° | order qty | description                    |
|----------|-----------|--------------------------------|
| 78122400 | 1         | DOUBLE CYLINDER D 40/20-300    |
| 78122600 | 1         | CYLINDER D40/22-300 BLACK      |
| 78122700 | 1         | CYLINDER 40/22X300MM RED       |
| 78122800 | 1         | CYLINDER D40/22-300 BLACK      |
| 78122900 | 1         | CYLINDER 40/22X300MM RED       |
| 78123100 | 1         | CYLINDER D40/20-120            |
| 78123200 | 1         | CYLINDER D40/20-120            |
| 78123300 | 1         | DBL CYL D70/40-320 AIR INLET L |
| 78124100 | 1         | CYL DOB.D70/40-265 AIR INLET R |
| 78124200 | 1         | CYLINDER D25/12-50             |
| 78124300 | 1         | CYLINDER 60/25 X 635 DELTA L   |
| 78124600 | 1         | CYLINDER DOUBLE Ø40/20-300 90° |
| 78125100 | 1         | DBL CYL D70/40-320 AIR INLET R |
| 78125300 | 1         | CYL DOB.D70/40-265 AIR INLET L |
| 78125500 | 1         | CYLINDER 60/25 X 662 NAV PAR R |
| 78125600 | 1         | CYLINDER 60/25 X 725 CM PAR R  |
| 78125700 | 1         | CYLINDER 60/25 X 635 DELTA R   |
| 78126000 | 1         | CYLINDER,DAMPNER,LOCKING       |
| 78126400 | 1         | CYLINDER DBLE D32/16-200 W.STP |
| 78128000 | 1         | CYLINDER DOUB. D60/30 L=300 09 |
| 78128800 | 1         | CYLINDER, D50/30-500           |





Check cylinder barrel for stamped part number.

"FA" plus date & part number stamped on FAROIL cylinders. (See page C025)



# C040

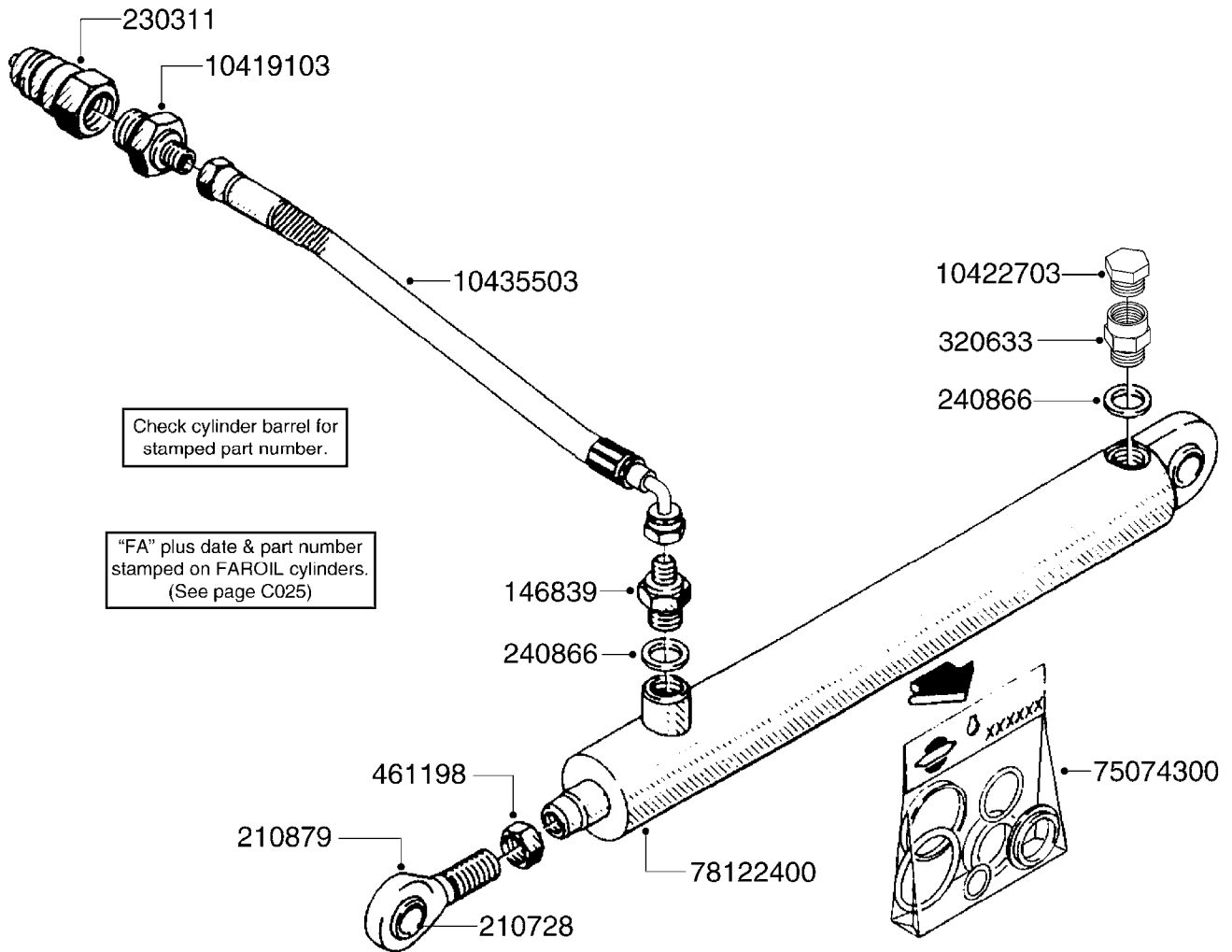


HYDRAULICS-MB BOOM LIFT CYLNR  
C040-HIN, 14:12:07

Page 1

Date 06.04.2015 10:37

| parts-n° | order qty | description                    |
|----------|-----------|--------------------------------|
| 143426   | 1         | PIN 20x160mm F/HYD/CYL.        |
| 145176   | 1         | PIN D19.8 X 60                 |
| 146850   | 1         | HEX NIPPLE 3/8"x3/8" - 1.8mm   |
| 231906   | 1         | HEX NIPPLE 3/8"BSP X 1/2"NPT   |
| 240866   | 1         | DOWTYSEAL 3/8"                 |
| 284412   | 1         | HOSE HY 3/8" X 315" STR+STR    |
| 480384   | 1         | PIN COTTER 3/16 x 1-1/2"       |
| 10466003 | 1         | COUPLER PIONEER 8010-04 1/2NPT |
| 78120000 | 1         | CYL.TELESCOPING Ø50/40/25_1100 |



**C050**

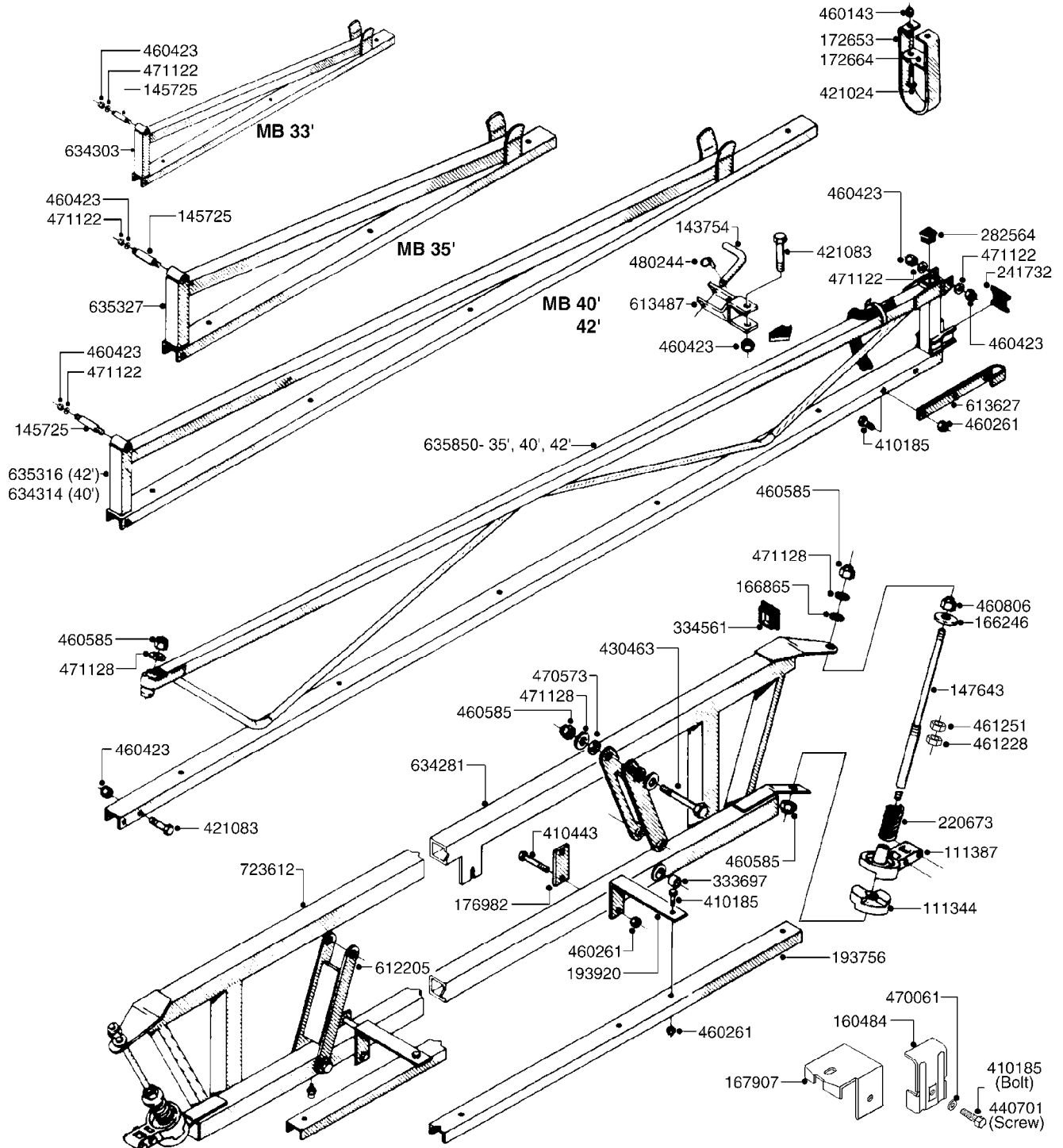


HYDRAULICS-MB BOOM WING TILT  
C050-HIN, 22:08:12

Page 1

Date 06.04.2015 10:37

| parts-n° | order qty | description                    |
|----------|-----------|--------------------------------|
| 146839   | 1         | HEX NIPPLE 1/4"X3/8" BSP 0.7MM |
| 210728   | 1         | BEARING F.LINK HEAD M17        |
| 210879   | 1         | LINK HEAD M16 x D17            |
| 230311   | 1         | QUICK COUPLING 1/2"            |
| 240866   | 1         | DOWTYSEAL 3/8"                 |
| 320633   | 1         | FITT.DK HN 3/8"M X 3/8"F BSP   |
| 461198   | 1         | NUT HEX M16X2 JAMB             |
| 10419103 | 1         | FITT.HY HEX RED.3/8 X 1/2      |
| 10422703 | 1         | BREATHER FOR HY CYLINDER       |
| 10435503 | 1         | *HOSE HY X 1/4 X 270' WITH FIT |
| 75074300 | 1         | SEALKIT78122000/23-25/30-32/46 |
| 78122400 | 1         | DOUBLE CYLINDER D 40/20-300    |



**D080**

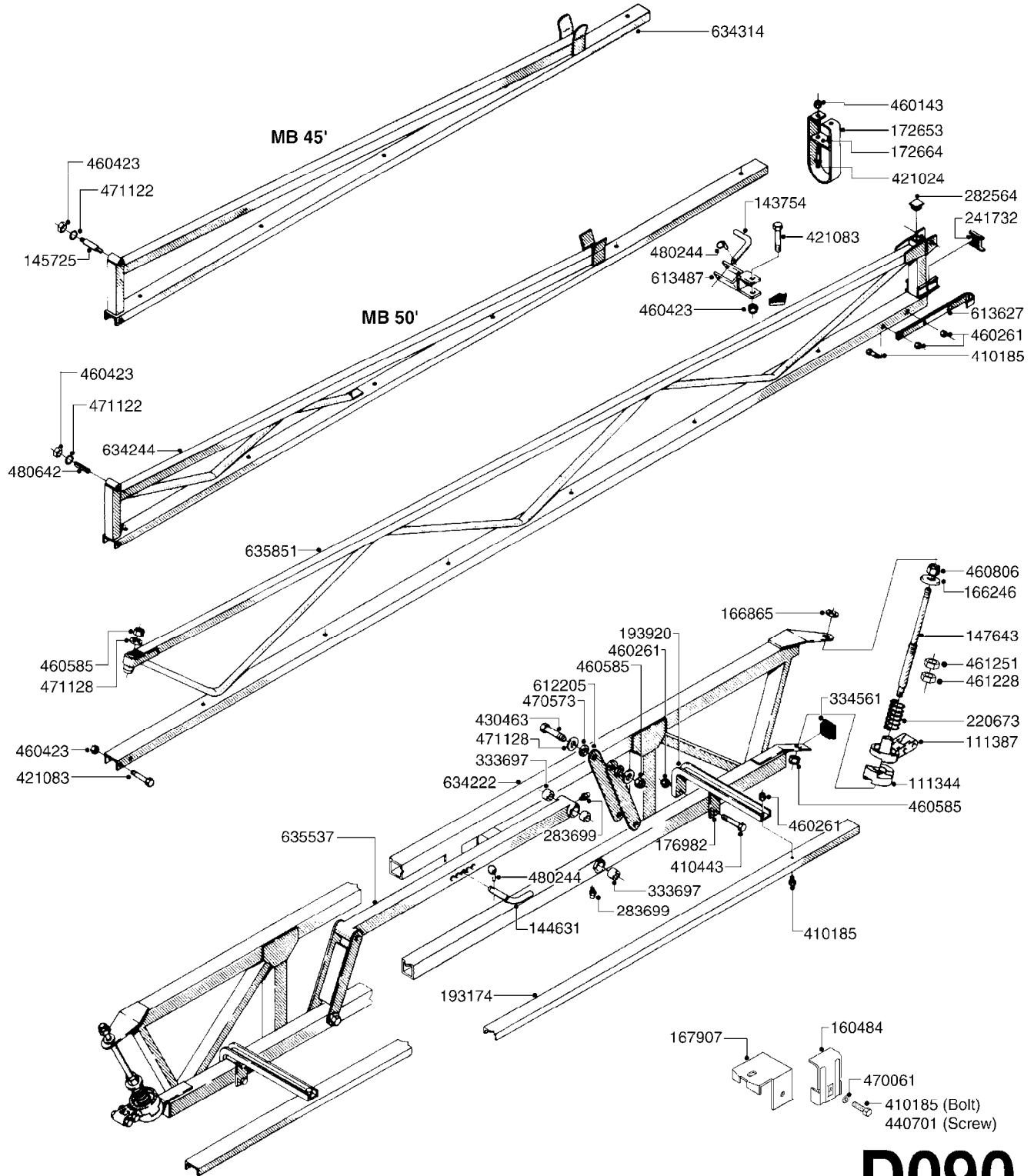


BOOM - MB 35' 40' 42'  
D080-HIN, 12:12:05

Page 1

Date 06.04.2015 10:37

| parts-n° | order qty | description                     |
|----------|-----------|---------------------------------|
| 111344   | 1         | CLAW CLUTCH LOWER (21MM)        |
| 111387   | 1         | CLAW CLUTCH D100 UPPER PART     |
| 143754   | 1         | PIN D10 X 56                    |
| 145725   | 1         | PIN FOR 12 MB BOOM              |
| 147643   | 1         | AXLE F.BM BRKWKY. W. ZERT L=426 |
| 160484   | 1         | WIRE GUIDE FOR DROP-LEG         |
| 166246   | 1         | WASHER CUP D53 F.SPRING         |
| 166865   | 1         | WASHER D35/D25X2                |
| 167907   | 1         | NOZZ. HOLD. KIT F/ADJ. BOOM     |
| 172653   | 1         | WING TIP GUARD                  |
| 172664   | 1         | FLATBAR BACKING PLATE           |
| 176982   | 1         | RETAINING PLATE                 |
| 193756   | 1         | TRACK MB 10,6/12,6M             |
| 193920   | 1         | BRACKET F.NOZZLE TRACK          |
| 220673   | 1         | SPRING F.PIVOT 100 X 51         |
| 241732   | 1         | RUBBER STOP FOR MB              |
| 282564   | 1         | PLUG 35MM SQ.BLACK              |
| 333697   | 1         | BUSHING D22/D16x25              |
| 334561   | 1         | PLUG 50x50x2 F.SQ.TUBE          |
| 410185   | 1         | BOLT HEX 8.8 DEL M6X16 A2       |
| 410443   | 1         | BOLT HEX 8.8 DEL M6X70          |
| 421024   | 1         | BOLT HEX 8.8 DEL M8X60          |
| 421083   | 1         | BOLT HEX 8.8 DEL M10X65         |
| 430463   | 1         | BOLT HEX 8.8 DEL M16X110        |
| 440701   | 1         | SCREW NO.14 3/4" PLATED         |
| 460143   | 1         | NUT HEX M8 LOCK A2 DIN985       |
| 460261   | 1         | NUT HEX M6X1 LOCK A2 DIN985     |
| 460423   | 1         | NUT HEX M10X1.5 LOCK            |
| 460585   | 1         | NUT HEX M16X2 LOCK              |
| 460806   | 1         | NUT HEX M20X2.5 LOCK            |
| 461228   | 1         | NUT HEX M20                     |
| 461251   | 1         | NUT HEX M20 X 2.5 JAMB          |
| 470061   | 1         | WASHER D11/D7X0.5 LOCK          |
| 470573   | 1         | WASHER D29/D17X2 SPRING BLACK   |
| 471122   | 1         | WASHER D20/D10.5X2 SS           |
| 471128   | 1         | WASHER D30/D17X3                |
| 480244   | 1         | PIN SNAP D4.5                   |
| 612205   | 1         | TRAPEZE ARM,WELDED              |
| 613487   | 1         | TRANSPORT FITTINGS FOR SB BOOM  |
| 613627   | 1         | LOCK STRAP FOR MB BOOM          |
| 634281   | 1         | BOOM CENTER MB 35/40/42         |
| 634303   | 1         | BOOM WING OUTER 33' MB L=47'    |
| 634314   | 1         | BOOM WING OUTER 40', 45' MB     |
| 635316   | 1         | BOOM WING OUTER MB42            |
| 635327   | 1         | BOOM WING OUTER 35'MB L=58.5"   |
| 635850   | 1         | BOOM WING INNER MB35/40/42      |
| 723612   | 1         | CENTER PART MB BOOM             |



**D090**



BOOM - MB 45' 50'  
D090-HIN, 12:12:05

Page 1

Date 06.04.2015 10:37

| parts-n° | order qty | description                     |
|----------|-----------|---------------------------------|
| 111344   | 1         | CLAW CLUTCH LOWER (21MM)        |
| 111387   | 1         | CLAW CLUTCH D100 UPPER PART     |
| 143754   | 1         | PIN D10 X 56                    |
| 144631   | 1         | LOCKING PAWL                    |
| 145725   | 1         | PIN FOR 12 MB BOOM              |
| 147643   | 1         | AXLE F.BM BRKWKY. W. ZERT L=426 |
| 160484   | 1         | WIRE GUIDE FOR DROP-LEG         |
| 166246   | 1         | WASHER CUP D53 F.SPRING         |
| 166865   | 1         | WASHER D35/D25X2                |
| 167907   | 1         | NOZZ. HOLD. KIT F/ADJ. BOOM     |
| 172653   | 1         | WING TIP GUARD                  |
| 172664   | 1         | FLATBAR BACKING PLATE           |
| 176982   | 1         | RETAINING PLATE                 |
| 193174   | 1         | NOZ TRACK 6,6-8,6-10,6-12,M SB  |
| 193920   | 1         | BRACKET F.NOZZLE TRACK          |
| 220673   | 1         | SPRING F.PIVOT 100 X 51         |
| 241732   | 1         | RUBBER STOP FOR MB              |
| 282564   | 1         | PLUG 35MM SQ.BLACK              |
| 283699   | 1         | GREASE NIPPLE M6X1              |
| 333697   | 1         | BUSHING D22/D16x25              |
| 334561   | 1         | PLUG 50x50x2 F.SQ.TUBE          |
| 410185   | 1         | BOLT HEX 8.8 DEL M6X16 A2       |
| 410443   | 1         | BOLT HEX 8.8 DEL M6X70          |
| 421024   | 1         | BOLT HEX 8.8 DEL M8X60          |
| 421083   | 1         | BOLT HEX 8.8 DEL M10X65         |
| 430463   | 1         | BOLT HEX 8.8 DEL M16X110        |
| 440701   | 1         | SCREW NO.14 3/4" PLATED         |
| 460143   | 1         | NUT HEX M8 LOCK A2 DIN985       |
| 460261   | 1         | NUT HEX M6X1 LOCK A2 DIN985     |
| 460423   | 1         | NUT HEX M10X1.5 LOCK            |
| 460585   | 1         | NUT HEX M16X2 LOCK              |
| 460806   | 1         | NUT HEX M20X2.5 LOCK            |
| 461228   | 1         | NUT HEX M20                     |
| 461251   | 1         | NUT HEX M20 X 2.5 JAMB          |
| 470061   | 1         | WASHER D11/D7X0.5 LOCK          |
| 470573   | 1         | WASHER D29/D17X2 SPRING BLACK   |
| 471122   | 1         | WASHER D20/D10.5X2 SS           |
| 471128   | 1         | WASHER D30/D17X3                |
| 480244   | 1         | PIN SNAP D4.5                   |
| 480642   | 1         | PIN RETAINING M12X55            |
| 612205   | 1         | TRAPEZE ARM,WELDED              |
| 613487   | 1         | TRANSPORT FITTINGS FOR SB BOOM  |
| 613627   | 1         | LOCK STRAP FOR MB BOOM          |
| 634222   | 1         | BOOM CENTER 45/50               |
| 634244   | 1         | BOOM WING OUTER MB50            |
| 634314   | 1         | BOOM WING OUTER 40', 45' MB     |
| 635537   | 1         | TRAPEZE FRAME                   |
| 635851   | 1         | BOOM WING INNER MB45/50         |

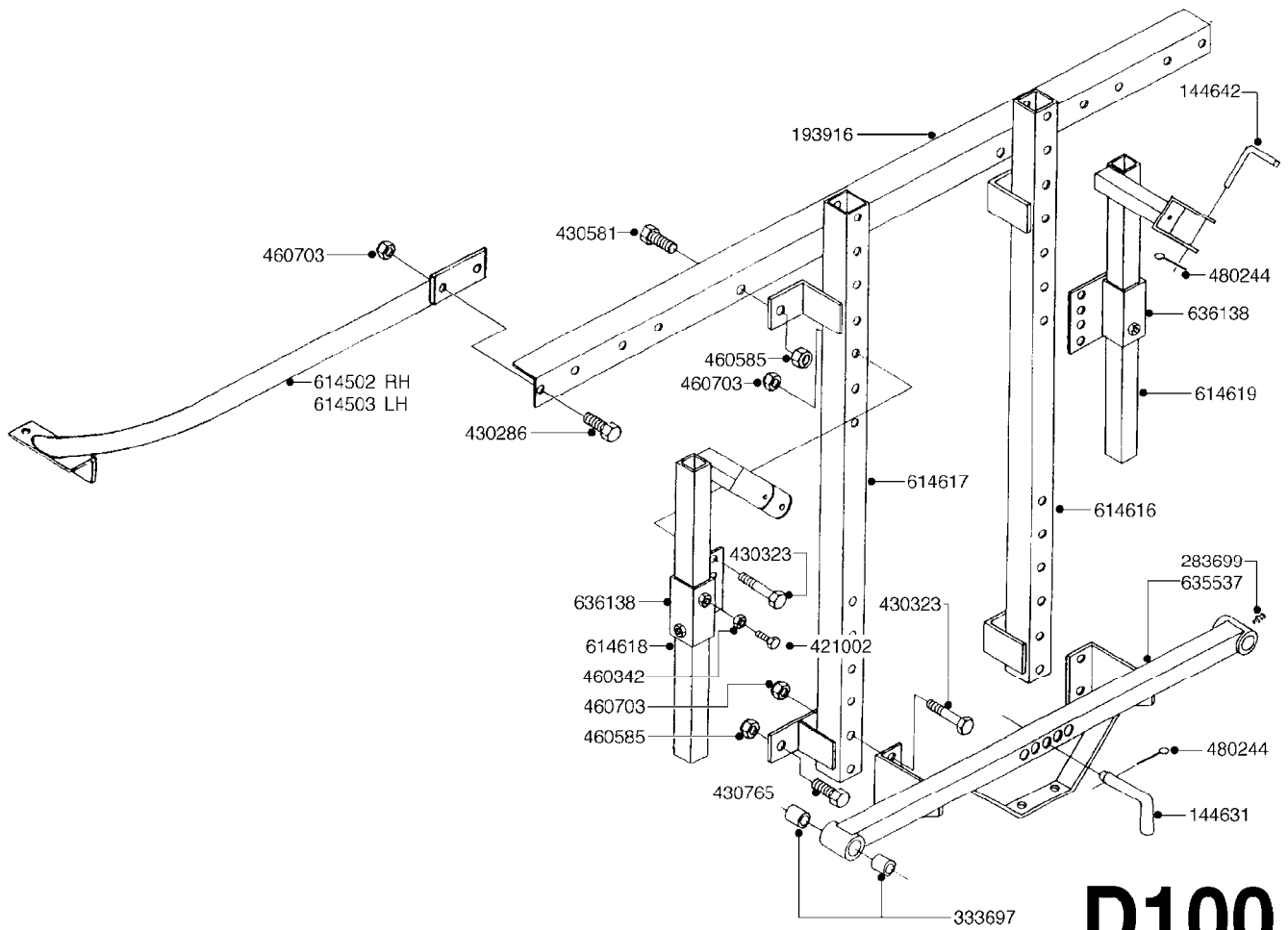




BOOM - MB H-FRAME ML-TRAILER  
D100-HIN, 01:01:01

Page 0

Date 06.04.2015 10:37



**D100**

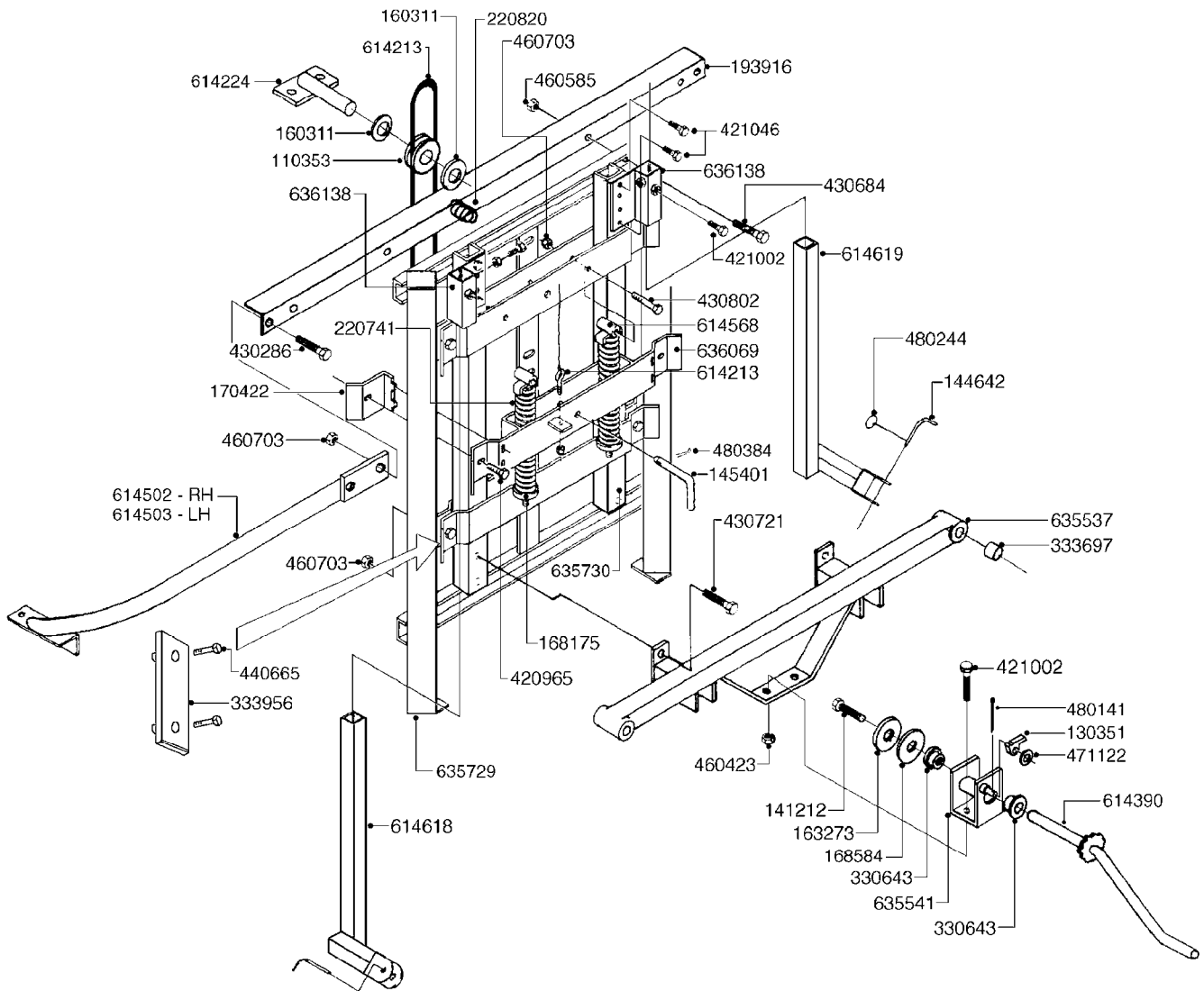


BOOM - MB H-FRAME ML-TRAILER  
D100-HIN, 01:01:01

Page 1

Date 06.04.2015 10:37

| parts-n° | order qty | description                       |
|----------|-----------|-----------------------------------|
| 144631   | 1         | LOCKING PAWL                      |
| 144642   | 1         | LOCKING PAWL D10X65MM             |
| 193916   | 1         | ANGLE IRON FOR MB BOOM BKTS.      |
| 283699   | 1         | GREASE NIPPLE M6X1                |
| 333697   | 1         | BUSHING D22/D16x25                |
| 421002   | 1         | BOLT HEX 8.8 DEL M10X30 FT DIN933 |
| 430286   | 1         | BOLT HEX 8.8 DEL M12X30 FT        |
| 430323   | 1         | BOLT HEX 8.8 DEL M12X60           |
| 430581   | 1         | BOLT HEX 8.8 DEL M16X40 FT        |
| 430765   | 1         | BOLT HEX 8.8 DEL M16X55           |
| 460342   | 1         | NUT HEX M10 DEL DIN934            |
| 460585   | 1         | NUT HEX M16X2 LOCK                |
| 460703   | 1         | NUT HEX M12X1.75 LOCK DIN985      |
| 480244   | 1         | PIN SNAP D4.5                     |
| 614502   | 1         | INCLINED BRACE RIGHT CAN          |
| 614503   | 1         | INCLINED BRACE LEFT CAN           |
| 614616   | 1         | H FRAME TUBE TL RIGHT             |
| 614617   | 1         | H FRAME TUBE TL LEFT              |
| 614618   | 1         | TRANS BRKT. F/MB BOOM (SHORT)     |
| 614619   | 1         | TRANS BRKT. F/MB BOOM (LONG)      |
| 635537   | 1         | TRAPEZE FRAME                     |
| 636138   | 1         | BRACKET                           |



COMPLETE ASSEMBLIES  
WHOLEGOODS ITEMS

831239: COMPLETE WINCH KIT

# D120

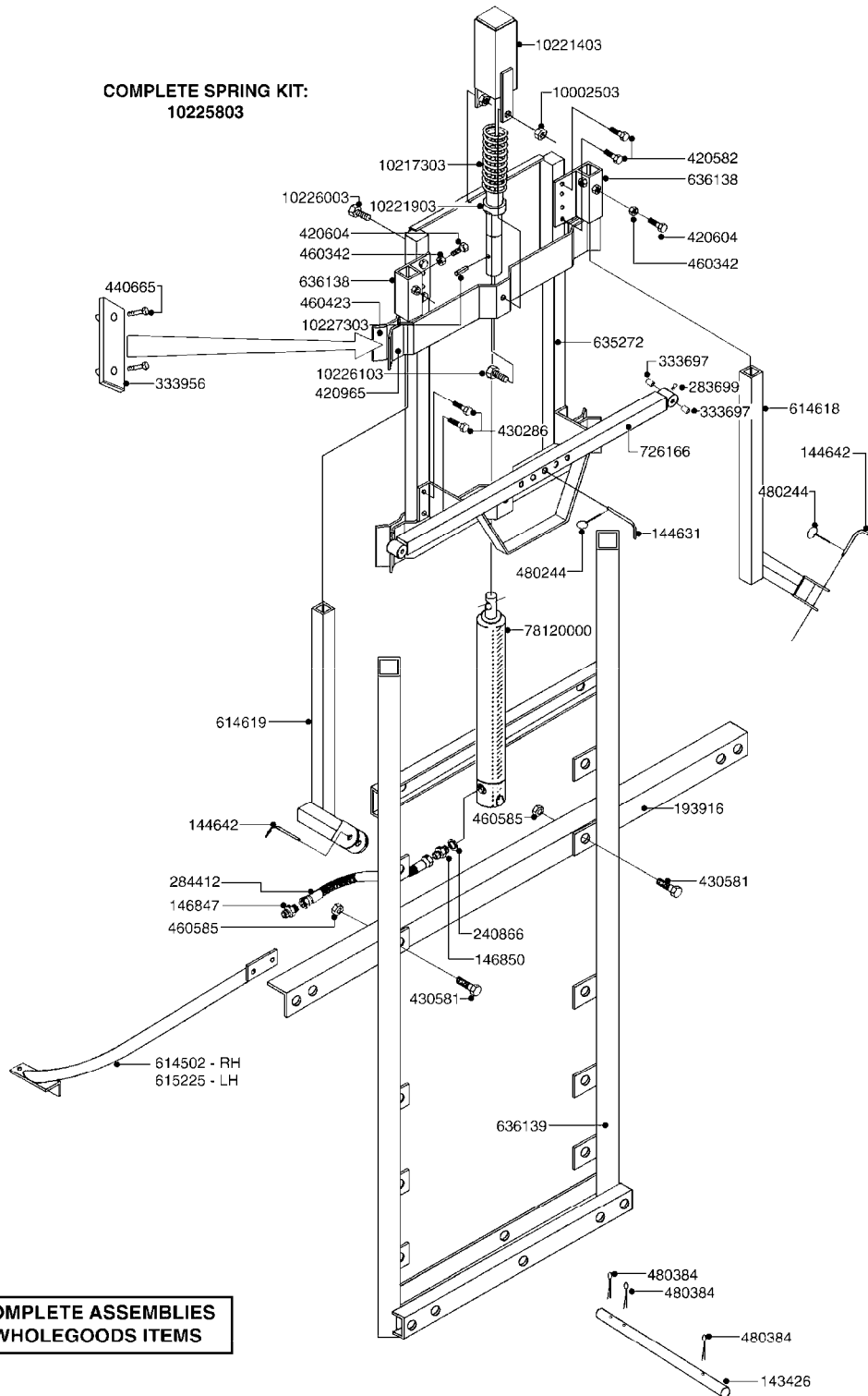


BOOM-MB H-FRM 45' 50' WL TRLR  
D120-HIN, 12:12:05

Page 1

Date 06.04.2015 10:37

| parts-n° | order qty | description                         |
|----------|-----------|-------------------------------------|
| 110353   | 1         | PULLEY S 63-1 FOR BOOM LIFT         |
| 130351   | 1         | PAWL FOR BOOM LIFT                  |
| 141212   | 1         | BOLT FOR CABLE LOCK                 |
| 144642   | 1         | LOCKING PAWL D10X65MM               |
| 145401   | 1         | PAWL                                |
| 160311   | 1         | WASHER D30/D20.4X2                  |
| 163273   | 1         | WASHER FOR WINCH W. D14 RED         |
| 168175   | 1         | WASHER FOR SUSPENSION DEL           |
| 168584   | 1         | WASHER F.SPRING D59 RED             |
| 170422   | 1         | BRACKET F.WINCH SPRING KIT          |
| 193916   | 1         | ANGLE IRON FOR MB BOOM BKTS.        |
| 220741   | 1         | SPRING D46 X 150                    |
| 220820   | 1         | SPRING D20.5/2.0 0-50MM             |
| 330643   | 1         | NYLON BUSH D28/D20/19               |
| 333697   | 1         | BUSHING D22/D16x25                  |
| 333956   | 1         | SLIDE SHOE 91X25X10                 |
| 420965   | 1         | M10X40 MACHINE SCREW STAINLESS      |
| 421002   | 1         | BOLT HEX 8.8 DEL M10X30 FT DIN933   |
| 421046   | 1         | BOLT HEX 8.8 DEL M8X25 FT A2 DIN933 |
| 430286   | 1         | BOLT HEX 8.8 DEL M12X30 FT          |
| 430684   | 1         | BOLT HEX 8.8 DEL M16X30 FT          |
| 430721   | 1         | BOLT HEX 8.8 DEL M12X40 FT          |
| 430802   | 1         | BOLT HEX 8.8 DEL M12X75             |
| 440665   | 1         | SCREW M4.2X16 STAINLESS             |
| 460423   | 1         | NUT HEX M10X1.5 LOCK                |
| 460585   | 1         | NUT HEX M16X2 LOCK                  |
| 460703   | 1         | NUT HEX M12X1.75 LOCK DIN985        |
| 471122   | 1         | WASHER D20/D10.5X2 SS               |
| 480141   | 1         | PIN COTTER M4X20                    |
| 480244   | 1         | PIN SNAP D4.5                       |
| 480384   | 1         | PIN COTTER 3/16 x 1-1/2"            |
| 614213   | 1         | WIRE W EYE BOLT TR/MB CAN.          |
| 614224   | 1         | BRACKET FOR WHEEL                   |
| 614390   | 1         | HANDLE FOR WINCH                    |
| 614502   | 1         | INCLINED BRACE RIGHT CAN            |
| 614503   | 1         | INCLINED BRACE LEFT CAN             |
| 614568   | 1         | BOLT                                |
| 614618   | 1         | TRANS BRKT. F/MB BOOM (SHORT)       |
| 614619   | 1         | TRANS BRKT. F/MB BOOM (LONG)        |
| 635537   | 1         | TRAPEZE FRAME                       |
| 635541   | 1         | BRACKET                             |
| 635729   | 1         | OUTER FRAME OFF H-FRAME             |
| 635730   | 1         | FRAME INNER F.MB WINCH LIFT         |
| 636069   | 1         | BKT. FOR MB WINCH SPRING KIT        |
| 636138   | 1         | BRACKET                             |
| 831239   | 1         | WINCH CTN.FOR SM/ESC LIFT           |



**D130**

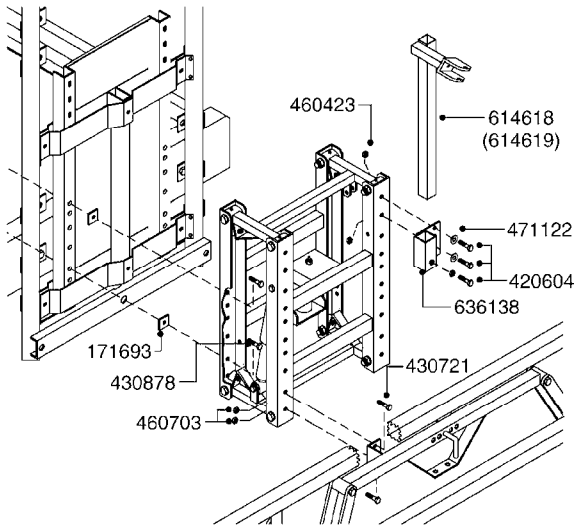


BOOM - MB H-FRAME HL  
D130-HIN, 05:12:09

Page 1

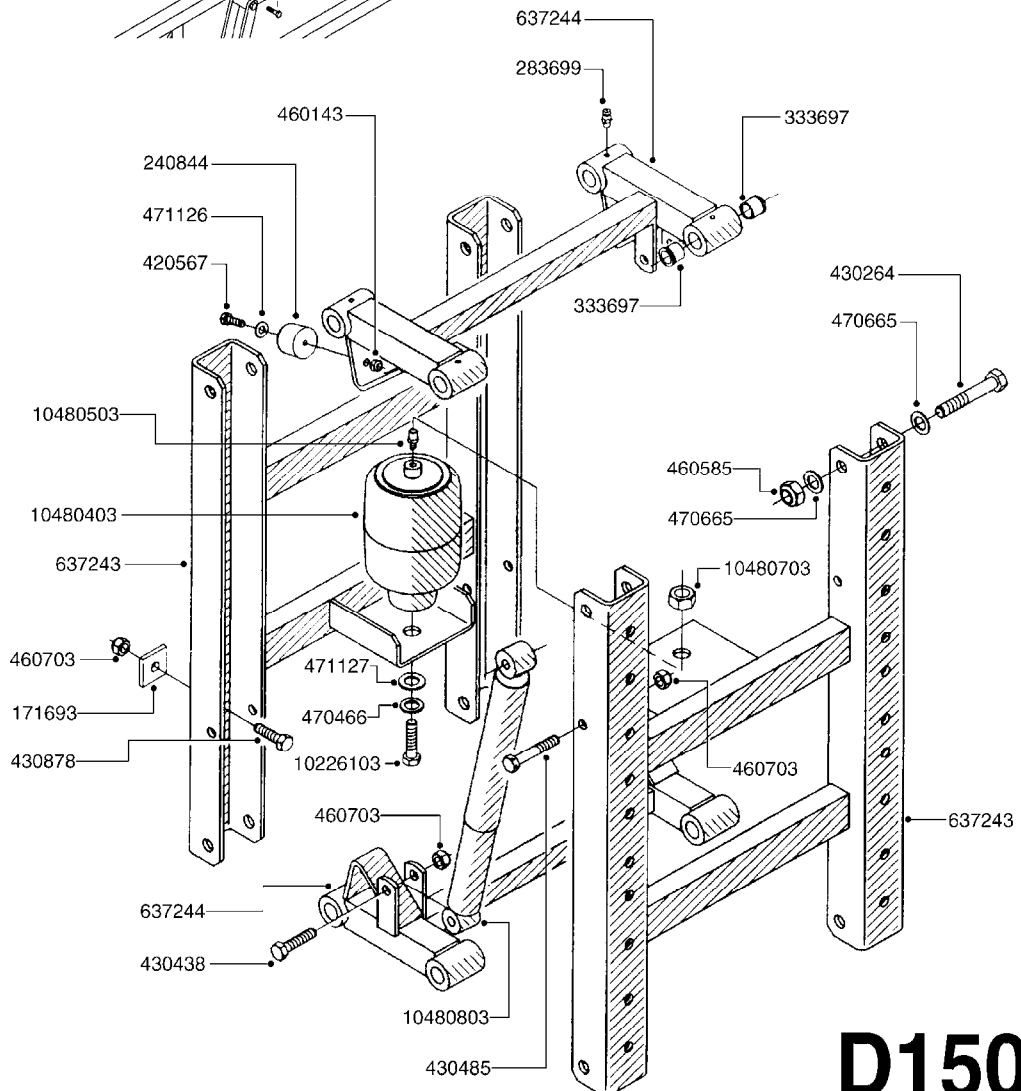
Date 06.04.2015 10:37

| parts-n° | order qty | description                       |
|----------|-----------|-----------------------------------|
| 143426   | 1         | PIN 20x160mm F/HYD/CYL.           |
| 144631   | 1         | LOCKING PAWL                      |
| 144642   | 1         | LOCKING PAWL D10X65MM             |
| 146847   | 1         | HEX NIPPLE 1/2"X3/8"              |
| 146850   | 1         | HEX NIPPLE 3/8"x3/8" - 1.8mm      |
| 193916   | 1         | ANGLE IRON FOR MB BOOM BKTS.      |
| 240866   | 1         | DOWTYSEAL 3/8"                    |
| 283699   | 1         | GREASE NIPPLE M6X1                |
| 284412   | 1         | HOSE HY 3/8" X 315" STR+STR       |
| 333697   | 1         | BUSHING D22/D16x25                |
| 333956   | 1         | SLIDE SHOE 91X25X10               |
| 420582   | 1         | BOLT HEX 8.8 DEL M8X20 FT A2      |
| 420604   | 1         | BOLT HEX 8.8 DEL M10X25 FT DIN933 |
| 420965   | 1         | M10X40 MACHINE SCREW STAINLESS    |
| 430286   | 1         | BOLT HEX 8.8 DEL M12X30 FT        |
| 430581   | 1         | BOLT HEX 8.8 DEL M16X40 FT        |
| 440665   | 1         | SCREW M4.2X16 STAINLESS           |
| 460342   | 1         | NUT HEX M10 DEL DIN934            |
| 460423   | 1         | NUT HEX M10X1.5 LOCK              |
| 460585   | 1         | NUT HEX M16X2 LOCK                |
| 480244   | 1         | PIN SNAP D4.5                     |
| 480384   | 1         | PIN COTTER 3/16 x 1-1/2"          |
| 614502   | 1         | INCLINED BRACE RIGHT CAN          |
| 614618   | 1         | TRANS BRKT. F/MB BOOM (SHORT)     |
| 614619   | 1         | TRANS BRKT. F/MB BOOM (LONG)      |
| 615225   | 1         | SIDE BRACE LEFT 500 EAGLE         |
| 635272   | 1         | SLIDE                             |
| 636138   | 1         | BRACKET                           |
| 636139   | 1         | H FRAME HY LIFT 300/500 MB        |
| 726166   | 1         | TRAPEZE FRAME                     |
| 10002503 | 1         | NUT HEX NC 1/2"                   |
| 10217303 | 1         | SPRING FOR 45/50 MB HY LIFT       |
| 10221403 | 1         | BOX W/M F.SPRING 45/50 MB HY      |
| 10221903 | 1         | SLEEVE W/M F.45/50 MB HY          |
| 10225803 | 1         | SPRING KIT FOR MB HYDRAULIC       |
| 10226003 | 1         | BOLT HEX 3/8 NC GR.5 00.75"       |
| 10226103 | 1         | BOLT HEX 1/2 NC GR.2 01.00"       |
| 10227303 | 1         | PIN ROLL 3/16 X 1.25              |
| 78120000 | 1         | CYL.TELESCOPING Ø50/40/25_1100    |



MB Air Kit (Infield): 10477203

COMPLETE ASSEMBLIES  
WHOLEGOODS ITEMS



**D150**



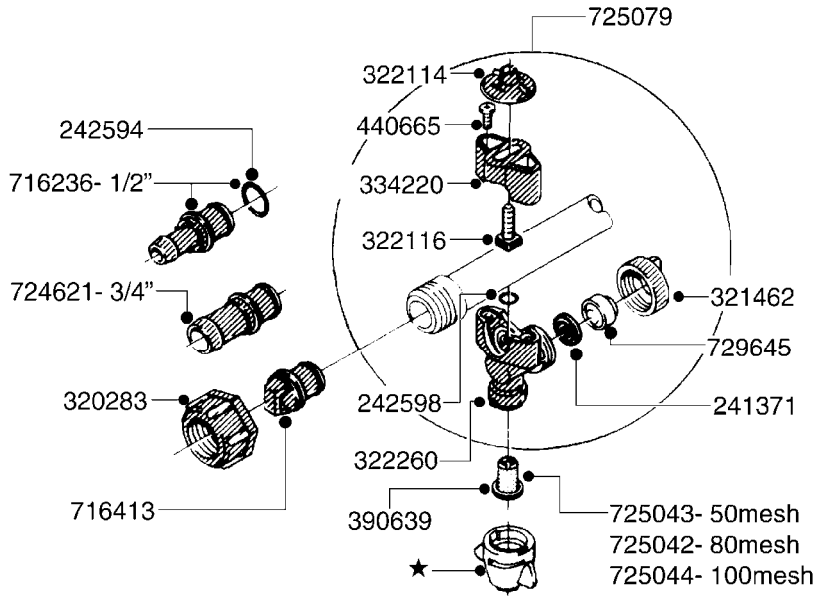
BOOM - MB AIR SUSPSN (HL ONLY)  
D150-HIN, 01:01:01

Page 1

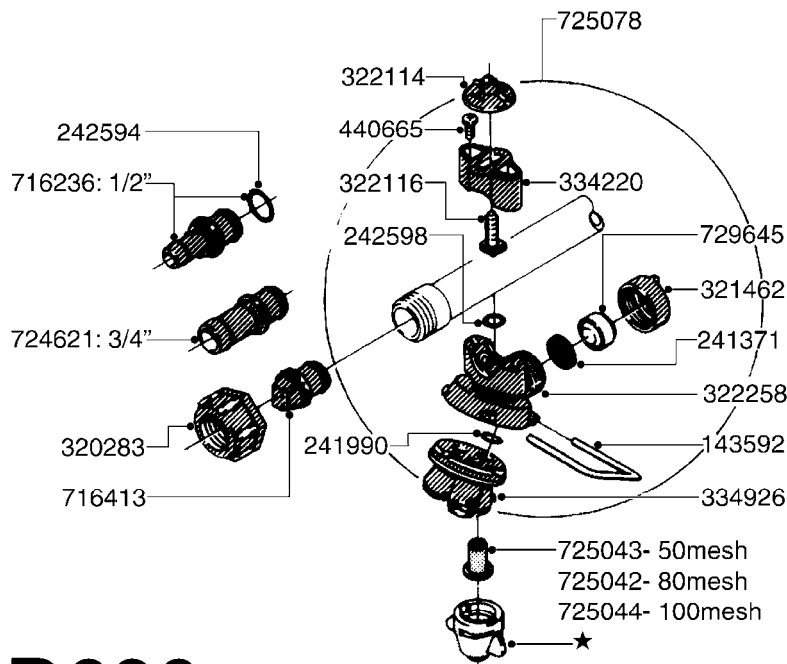
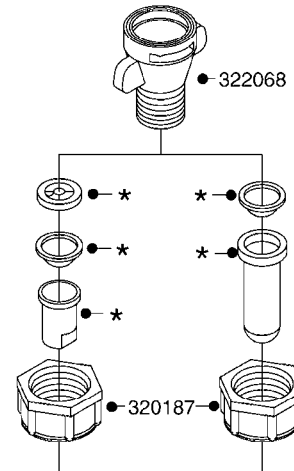
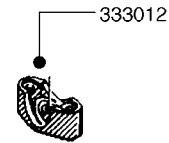
Date 06.04.2015 10:37

| parts-n° | order qty | description                       |
|----------|-----------|-----------------------------------|
| 10226103 | 1         | BOLT HEX 1/2 NC GR.2 01.00"       |
| 10477203 | 1         | MB AIR SUSPENSION KIT             |
| 10480403 | 1         | AIR BAG FOR MB SUSPENSION         |
| 10480503 | 1         | TANK VALVE 1/8"NPT                |
| 10480703 | 1         | NUT HEX NF 3/4"JAM                |
| 10480803 | 1         | SHOCK FOR MB SUSP.                |
| 171693   | 1         | SPACER M40X40X3/D13               |
| 240844   | 1         | RUBBER STOP D39X35                |
| 283699   | 1         | GREASE NIPPLE M6X1                |
| 333697   | 1         | BUSHING D22/D16x25                |
| 420567   | 1         | BOLT HEX 8.8 DEL M8X30 FT         |
| 420604   | 1         | BOLT HEX 8.8 DEL M10X25 FT DIN933 |
| 430264   | 1         | BOLT HEX 8.8 DEL M16X100          |
| 430438   | 1         | BOLT HEX 8.8 DEL M12X65           |
| 430485   | 1         | BOLT HEX 8.8 DEL M12X90           |
| 430721   | 1         | BOLT HEX 8.8 DEL M12X40 FT        |
| 430878   | 1         | BOLT HEX 8.8 DEL M12X45 DIN931    |
| 460143   | 1         | NUT HEX M8 LOCK A2 DIN985         |
| 460423   | 1         | NUT HEX M10X1.5 LOCK              |
| 460585   | 1         | NUT HEX M16X2 LOCK                |
| 460703   | 1         | NUT HEX M12X1.75 LOCK DIN985      |
| 470466   | 1         | WASHER D21.1/D12.2X2.5 LOCK       |
| 470665   | 1         | WASHER D16.5/D26X1.2 LOCK         |
| 471122   | 1         | WASHER D20/D10.5X2 SS             |
| 471126   | 1         | WASHER D16/D8.4X1.6 SS            |
| 471127   | 1         | WASHER D24/D13X2.5 STAINLESS      |
| 614618   | 1         | TRANS BRKT. F/MB BOOM (SHORT)     |
| 614619   | 1         | TRANS BRKT. F/MB BOOM (LONG)      |
| 636138   | 1         | BRACKET                           |
| 637243   | 1         | FRAME F.MB-SUSPENSION             |
| 637244   | 1         | SWING ARM F.MB-SUSPENSION         |

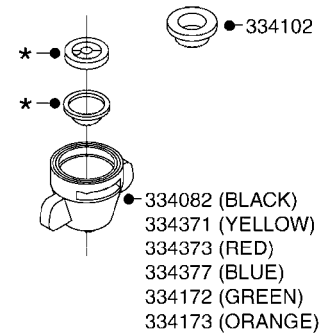




**SINGLE NOZZLE BODY**



**TRIPLET NOZZLE BODY**



**D620**

\*=REFER TO HARDI NOZZLE CATALOG

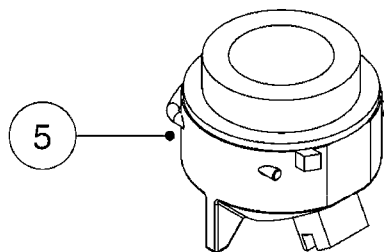
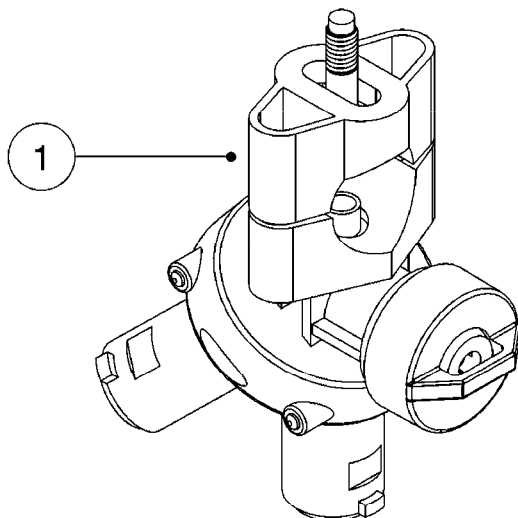


NOZZLE BODIES-SNAP FIT  
D620-HIN, 18:03:10

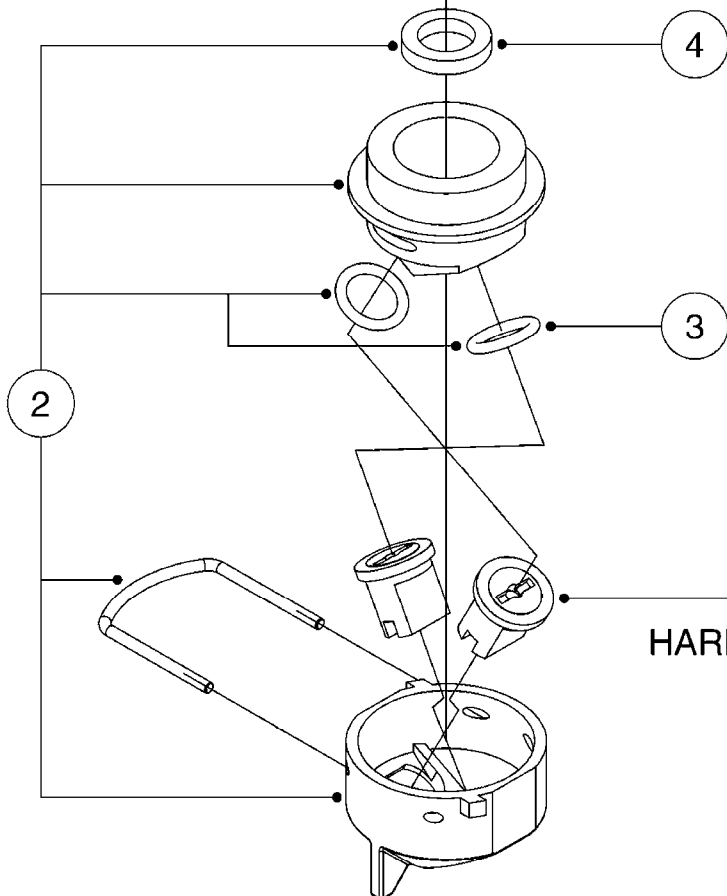
Page 1

Date 06.04.2015 10:37

| parts-n° | order qty | description                    |
|----------|-----------|--------------------------------|
| 143592   | 1         | LOCK CLAMP FOR TRIPLET         |
| 241371   | 1         | DIAPHRAGM, NO-DRIP alt 241371  |
| 241990   | 1         | O-RING D9.3 X 2.4 VITON        |
| 242594   | 1         | O-RING D14 X 1.78 SCH.70-EPDM  |
| 242598   | 1         | O-RING D7.0 X 2.5 NITRIL       |
| 320187   | 1         | FITT.DK CAP 3/8" BSP BLACK     |
| 320283   | 1         | FITT.DK NUT 3/4"BSP            |
| 321462   | 1         | CAP F.NO-DRIP ASSY.            |
| 322068   | 1         | SNAP-FIT ADAPTER THREAD. HARDI |
| 322114   | 1         | NUT PLASTIC F.NOZZ.H           |
| 322116   | 1         | BOLT PLASTIC F.NOZZ.H.         |
| 322258   | 1         | HOUSING F.TRIPLET              |
| 322260   | 1         | NOZZLE HOLDER LOWER PART       |
| 333012   | 1         | NOZZLE HOLD. UPPER PART        |
| 334082   | 1         | SNAP-FIT NOZZ.HOLD.CONE BLACK  |
| 334102   | 1         | BLANK F.NOZZLE                 |
| 334172   | 1         | SNAP-FIT NOZZ.HOLD.CONE GREEN  |
| 334173   | 1         | SNAP-FIT NOZZ.HOLD.CONE ORANGE |
| 334220   | 1         | YOKE, UPPER NOZZLE BODY        |
| 334371   | 1         | SNAP-FIT NOZZLE HOLDER YELLOW  |
| 334373   | 1         | SNAP-FIT NOZZLE HOLDER RED     |
| 334377   | 1         | SNAP-FIT NOZZLE HOLDER BLUE    |
| 334926   | 1         | SNAP-FIT TURN PLATE F TRIPLET  |
| 390639   | 1         | O-RING F.NOZZLE FILTER         |
| 440665   | 1         | SCREW M4.2X16 STAINLESS        |
| 716236   | 1         | FITT.DK HB 1/2" ASSY. F. 3/4"  |
| 716413   | 1         | FITT.DK PLUG ASSY. F.NOZ TUBE  |
| 724621   | 1         | FITT.DK HB 3/4"ASSY F.3/4" NUT |
| 725042   | 1         | SCREEN 80 MESH W.GASKET, RED   |
| 725043   | 1         | SCREEN 50 MESH W.GASKET,BLUE   |
| 725044   | 1         | SCREEN 100 MESH W.GASKET,YELLO |
| 725078   | 1         | SNAP-FIT TRIPLET W/O NOZZ HOLD |
| 725079   | 1         | NOZZLE ASSY.SING.SNAP-FIT GREN |
| 729645   | 1         | NON-DRIP SPRING ASSY.GREEN 10  |



COMPLETE ASSEMBLY  
WITH NOZZLES



REFER TO  
HARDI® NOZZLE CATALOG

**D625**

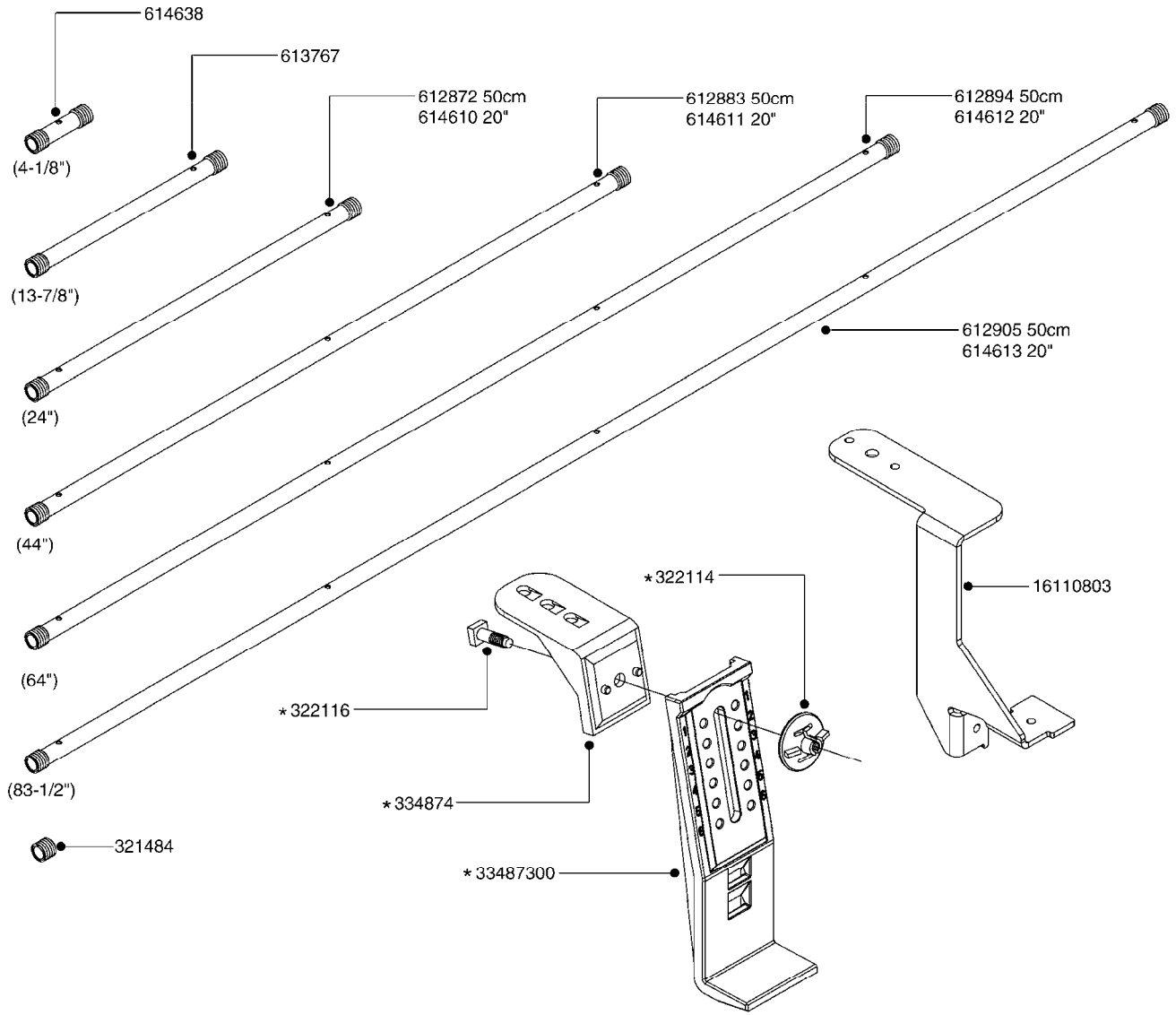


DOUBLE NOZZLE HOLDER-SNAP FIT  
D625-HIN, 04:06:13

Page 1

Date 06.04.2015 10:37

| Pos. | parts-n° | order qty | description                    |
|------|----------|-----------|--------------------------------|
| 1    | 725078   | 1         | SNAP-FIT TRIPLET W/O NOZZ HOLD |
| 2    | 28032503 | 1         | DOUBLE NOZZLE HOLDER LD ISO    |
| 3    | 28040103 | 1         | O-RING F.DOUBLE NOZZLE HOLDER  |
| 4    | 28089103 | 1         | GASKET F.DOUBLE NOZZLE HOLDER  |
| 5    | 70056803 | 1         | DOUBLE NOZZLE CAP ORANGE LD 01 |
| 5    | 70056903 | 1         | DOUBLE NOZZLE CAP GREEN LD 015 |
| 5    | 70057003 | 1         | DOUBLE NOZZLE CAP YELLOW LD 02 |
| 5    | 70057103 | 1         | DOUBLE NOZZLE CAP LILAC LD 025 |
| 5    | 70057203 | 1         | DOUBLE NOZZLE CAP BLUE LD 03   |
| 5    | 70057303 | 1         | DOUBLE NOZZLE CAP RED LD 04    |
| 5    | 70057403 | 1         | DOUBLE NOZZLE CAP BROWN LD 05  |



\*741685 - BAG OF 5 COMPLETE  
\*741688 - BAG OF 10 COMPLETE

|  |                                |                           |
|--|--------------------------------|---------------------------|
|  | STAINLESS CLAMPS AND INSULATOR |                           |
|  | 100X60MM - 741778 BAG OF 10    |                           |
|  | 80X60MM - 741741 BAG OF 10     | 80X60MM - 741738 BAG OF 5 |
|  | 50X50MM - 741737 BAG OF 10     | 50X50MM - 741734 BAG OF 5 |
|  | 50X30MM - 741733 BAG OF 10     | 50X30MM - 741730 BAG OF 5 |

|                                                                                                 |                                                                                                                                       |
|-------------------------------------------------------------------------------------------------|---------------------------------------------------------------------------------------------------------------------------------------|
| <b>BLANK TUBES:</b><br>614647 - 23-3/4"<br>614648 - 43-1/4"<br>614649 - 63"<br>614650 - 82-1/2" | <b>DIMPLED TUBES:</b><br>615468 - 24-1/2"    615471 - 64"<br>615469 - 44"        615472 - 74-1/4"<br>615470 - 54-1/8"    615473 - 92" |
|-------------------------------------------------------------------------------------------------|---------------------------------------------------------------------------------------------------------------------------------------|

**D630**



NOZZLE TUBES & HOLDER-PLASTIC  
D630-HIN, 12:04:13

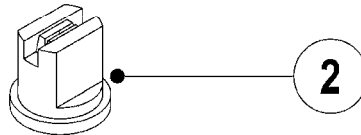
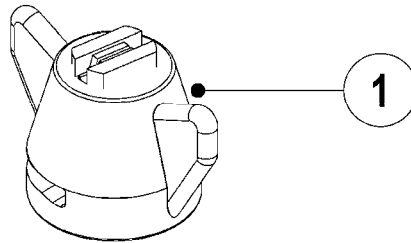
Page 1

Date 06.04.2015 10:37

| parts-n° | order qty | description                    |
|----------|-----------|--------------------------------|
| 321484   | 1         | BUSHING THREADED F.NOZZ.TUBE   |
| 322114   | 1         | NUT PLASTIC F.NOZZ.H           |
| 322116   | 1         | BOLT PLASTIC F.NOZZ.H.         |
| 334874   | 1         | NOZZLE HOLDER - TOP HALF       |
| 612872   | 1         | NOZZLE TUBE 2 HOLE L-24"/50CM  |
| 612883   | 1         | NOZZLE TUBE 3 HOLE L-44"/50CM  |
| 612894   | 1         | NOZZLE TUBE 4 HOLE L-64"/50CM  |
| 612905   | 1         | NOZZLE TUBE 5 HOLE L-83.5"/50C |
| 613767   | 1         | NOZZLE TUBE 1 HOLE L-13.875"   |
| 614610   | 1         | NOZZLE TUBE 2 HOLE L-24"/SP20" |
| 614611   | 1         | NOZZLE TUBE 3 HOLE L-44"/SP20" |
| 614612   | 1         | NOZZLE TUBE 4 HOLE L-64"/SP20" |
| 614613   | 1         | NOZZLE TUBE 5 HOLE L-83.5"/20" |
| 614638   | 1         | NOZZLE TUBE 1 HOLE L-4.125"    |
| 614647   | 1         | NOZZLE TUBE L=600mm NO HOLES   |
| 614648   | 1         | NOZZLE TUBE L=1100mm NO HOLES  |
| 614649   | 1         | NOZZLE TUBE L=1600mm NO HOLES  |
| 614650   | 1         | NOZZLE TUBE L=2100mm NO HOLES  |
| 615468   | 1         | NOZZLE TUBE MARKED 1" 24"      |
| 615469   | 1         | NOZZLE TUBE MARKED 1" 44"      |
| 615470   | 1         | NOZZLE TUBE MARKED 1" 54"      |
| 615471   | 1         | NOZZLE TUBE MARKED 1" 64"      |
| 615472   | 1         | NOZZLE TUBE MARKED 1" 74"      |
| 615473   | 1         | NOZZLE TUBE MARKED 1" 92"      |
| 741685   | 1         | NOZZLE HOLDER COMPLETE/5 PCS   |
| 741688   | 1         | NOZZLE HOLDER COMPLETE/10PCS   |
| 741730   | 1         | CLAMP,NZLE BKT BAG OF 5 50X30  |
| 741733   | 1         | CLAMP,NZLE BKT BAG OF 10 50X30 |
| 741734   | 1         | CLAMP,NZLE BKT BAG OF 5 50X50  |
| 741737   | 1         | CLAMP,NZLE BKT BAG OF 10 50X50 |
| 741738   | 1         | CLAMP,NZLE BKT BAG OF 5 80X60  |
| 741741   | 1         | CLAMP,NZLE BKT BAG OF 10 80x60 |
| 741778   | 1         | CLAMP,NZL BKT BAG OF 10 100x60 |
| 16110803 | 1         | NOZZLE BRACKET VAR SPACINGS    |
| 33487300 | 1         | NOZZLE HOLDER - BOTTOM HALF    |

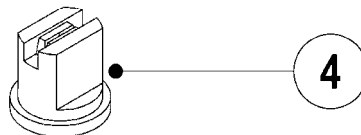
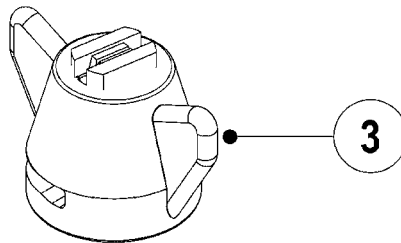


### SYNTAL



---

### CERAMIC



**D700**



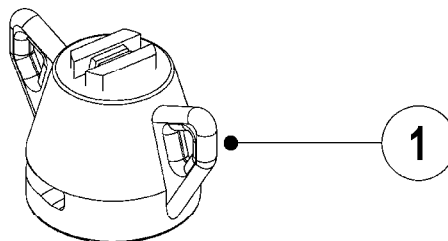
BOOM-NOZZLES 110° FLAT FAN ISO  
D700-HIN, 14:12:07

| Pos. | parts-n° | order qty | description                    |
|------|----------|-----------|--------------------------------|
| 1    | 371764   | 1         | NOZZLE ISO CT F-01-110 ORANGE  |
| 1    | 371765   | 1         | NOZZLE ISO CT F-015-110 GREEN  |
| 1    | 371766   | 1         | NOZZLE ISO CT F-02-110 YELLOW  |
| 1    | 371767   | 1         | NOZZLE ISO CT F-03-110 BLUE    |
| 1    | 371768   | 1         | NOZZLE ISO CT F-04-110 RED     |
| 1    | 371769   | 1         | NOZZLE ISO CT F-05-110 BROWN   |
| 1    | 371770   | 1         | NOZZLE ISO CT F-06-110 GREY    |
| 1    | 371771   | 1         | NOZZLE ISO CT F-08-110 WHITE   |
| 1    | 371950   | 1         | NOZZLE ISO CT F-025-110 LILAC  |
| 1    | 371964   | 1         | NOZZLE ISO CT F-075-110 PINK   |
| 1    | 371970   | 1         | NOZZLE ISO CT F-10-110 LT BLUE |
| 2    | 371706   | 1         | NOZZLE ISO F-01-110 ORANGE     |
| 2    | 371707   | 1         | NOZZLE ISO F-015-110 GREEN     |
| 2    | 371708   | 1         | NOZZLE ISO F-02-110 YELLOW     |
| 2    | 371709   | 1         | NOZZLE ISO F-03-110 BLUE       |
| 2    | 371710   | 1         | NOZZLE ISO F-04-110 RED        |
| 2    | 371711   | 1         | NOZZLE ISO F-05-110 BROWN      |
| 2    | 371712   | 1         | NOZZLE ISO F-06-110 GREY       |
| 2    | 371713   | 1         | NOZZLE ISO F-08-110 WHITE      |
| 2    | 371946   | 1         | NOZZLE ISO F-025-110 LILAC     |
| 2    | 371963   | 1         | NOZZLE ISO F-075-110 PINK      |
| 2    | 371966   | 1         | NOZZLE ISO F-10-110 LT BLUE    |
| 3    | 371772   | 1         | NOZZLE ISO CT F-015-110C GREEN |
| 3    | 371773   | 1         | NOZZLE ISO CT F-02-110C YELLOW |
| 3    | 371774   | 1         | NOZZLE ISO CT F-03-110C BLUE   |
| 3    | 371775   | 1         | NOZZLE ISO CT F-04-110C RED    |
| 3    | 371776   | 1         | NOZZLE ISO CT F-05-110C BROWN  |
| 3    | 371777   | 1         | NOZZLE ISO CT F-06-110C GREY   |
| 4    | 371738   | 1         | NOZZLE ISO F-015-110C GREEN    |
| 4    | 371739   | 1         | NOZZLE ISO F-02-110C YELLOW    |
| 4    | 371740   | 1         | NOZZLE ISO F-03-110C BLUE      |
| 4    | 371741   | 1         | NOZZLE ISO F-04-110C RED       |
| 4    | 371742   | 1         | NOZZLE ISO F-05-110C BROWN     |
| 4    | 371743   | 1         | NOZZLE ISO F-06-110C GREY      |



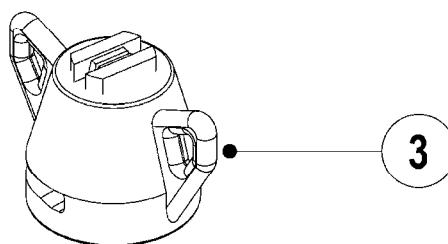


### SYNTAL



---

### CERAMIC



**D701**



BOOM-NOZZLES 110° LOWDRIFT ISO  
D701-HIN, 14:12:07

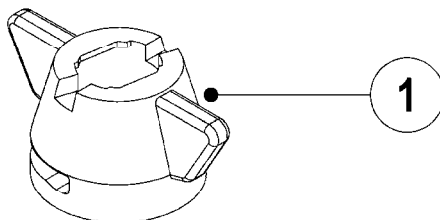
Page 1

Date 06.04.2015 10:37

| Pos. | parts-n° | order qty | description                    |
|------|----------|-----------|--------------------------------|
| 1    | 371837   | 1         | NOZZLE ISO CT LD-01-110 ORANGE |
| 1    | 371838   | 1         | NOZZLE ISO CT LD-015-110 GREEN |
| 1    | 371839   | 1         | NOZZLE ISO CT LD-02-110 YELLOW |
| 1    | 371840   | 1         | NOZZLE ISO CT LD-03-110 BLUE   |
| 1    | 371841   | 1         | NOZZLE ISO CT LD-04-110 RED    |
| 1    | 371894   | 1         | NOZZLE ISO CT LD-05-110 BROWN  |
| 1    | 371958   | 1         | NOZZLE ISO CT LD-025-110 LILAC |
| 2    | 371817   | 1         | NOZZLE ISO LD-01-110 ORANGE    |
| 2    | 371818   | 1         | NOZZLE ISO LD-015-110 GREEN    |
| 2    | 371819   | 1         | NOZZLE ISO LD-02-110 YELLOW    |
| 2    | 371820   | 1         | NOZZLE ISO LD-03-110 BLUE      |
| 2    | 371821   | 1         | NOZZLE ISO LD-04-110 RED       |
| 2    | 371893   | 1         | NOZZLE ISO LD-05-110 BROWN     |
| 2    | 371957   | 1         | NOZZLE ISO LD-025-110 LILAC    |
| 3    | 371842   | 1         | NOZZLE ISO CT LD-01-110C ORANG |
| 3    | 371843   | 1         | NOZZLE ISO CT LD-015-110C GRN  |
| 3    | 371844   | 1         | NOZZLE ISO CT LD-02-110C YELLO |
| 3    | 371845   | 1         | NOZZLE ISO CT LD-03-110C BLUE  |
| 3    | 371846   | 1         | NOZZLE ISO CT LD-04-110C RED   |
| 3    | 371897   | 1         | NOZZLE ISO CT LD-05-110C BROWN |
| 4    | 371822   | 1         | NOZZLE ISO LD-01-110C ORANGE   |
| 4    | 371823   | 1         | NOZZLE ISO LD-015-110C GREEN   |
| 4    | 371824   | 1         | NOZZLE ISO LD-02-110C YELLOW   |
| 4    | 371825   | 1         | NOZZLE ISO LD-03-110C BLUE     |
| 4    | 371826   | 1         | NOZZLE ISO LD-04-110C RED      |
| 4    | 371896   | 1         | NOZZLE ISO LD-05-110C BROWN    |



## SYNTAL



**D702**

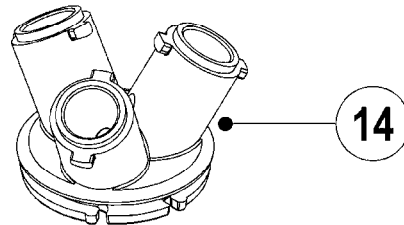
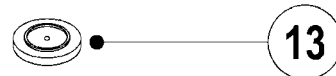
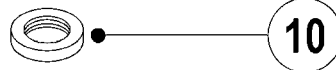
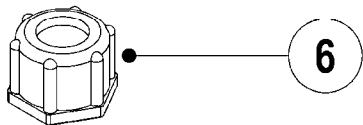
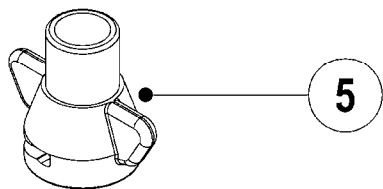
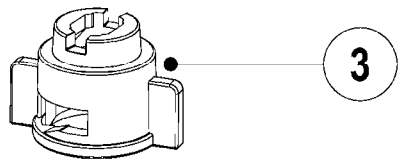
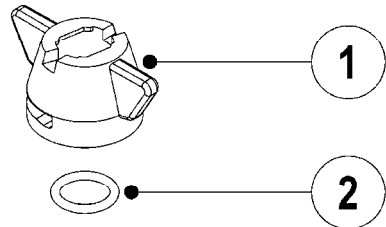


BOOM-NOZZLES 80° FLAT FAN ISO  
D702-HIN, 14:12:07

Page 1

Date 06.04.2015 10:37

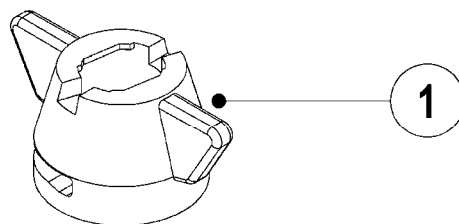
| Pos. | parts-n° | order qty | description                    |
|------|----------|-----------|--------------------------------|
| 1    | 334083   | 1         | SNAP-FIT NOZZLE HOLDER SS BLCK |
| 2    | 371931   | 1         | SYNTAL ISO F-01-80 TIP ORNG    |
| 2    | 371932   | 1         | SYNTAL ISO F-015-80 TIP GREEN  |
| 2    | 371933   | 1         | SYNTAL ISO F-02-80 TIP YELLOW  |
| 2    | 371934   | 1         | SYNTAL ISO F-03-80 TIP BLUE    |
| 3    | 10423503 | 1         | O-RING 9.12x3.53 NITRIL        |



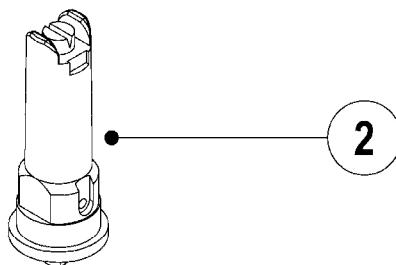
**D703**



| Pos. | parts-n° | order qty | description                           |
|------|----------|-----------|---------------------------------------|
| 1    | 334083   | 1         | SNAP-FIT NOZZLE HOLDER SS BLCK        |
| 2    | 10423503 | 1         | O-RING 9.12x3.53 NITRIL               |
| 3    | 334862   | 1         | NOZZLE CAP TJBBLACK F.ISO/INJET       |
| 4    | 242222   | 1         | GASKET 19.0 X 10.0 X 3.3 EPDM         |
| 5    | 322068   | 1         | SNAP-FIT ADAPTER THREAD. HARDI        |
| 6    | 320187   | 1         | FITT.DK CAP 3/8" BSP BLACK            |
| 6    | 321517   | 1         | FITT.DK CAP 3/8" BSP WHITE            |
|      |          |           | ALWAYS USE WITH ISO AND INJET NOZZLES |
| 6    | 321797   | 1         | FITT.DK CAP 3/8' BSP BLUE             |
| 6    | 321801   | 1         | FITT.DK CAP 3/8' BSP GREEN            |
| 6    | 321812   | 1         | FITT.DK CAP 3/8' BSP RED              |
| 6    | 321823   | 1         | FITT.DK CAP 3/8' BSP ORANGE           |
| 6    | 321834   | 1         | FITT.DK CAP 3/8' BSP YELLOW           |
| 7    | 330013   | 1         | O-RING D15/D10X2.5 F.3/8"NUT          |
| 8    | 725042   | 1         | SCREEN 80 MESH W.GASKET, RED          |
| 8    | 725043   | 1         | SCREEN 50 MESH W.GASKET,BLUE          |
| 8    | 725044   | 1         | SCREEN 100 MESH W.GASKET,YELLO        |
| 9    | 614366   | 1         | FILTER 50 MESH F.NOZZLE BLUE          |
| 9    | 614367   | 1         | FILTER 80 MESH F.NOZZLE RED           |
| 9    | 614368   | 1         | FILTER 100 MESH F.NOZZLE YEL.         |
| 10   | 390639   | 1         | O-RING F.NOZZLE FILTER                |
| 11   | 371551   | 1         | NOZZ LRG DROP FLAT SPRAY SINGL        |
| 12   | 370016   | 1         | NOZZLE CONE JET 1553-08               |
| 12   | 370027   | 1         | NOZZLE CONE JET 1553-10               |
| 12   | 370031   | 1         | NOZZLE CONE JET 1553-12               |
| 12   | 370042   | 1         | NOZZLE CONE JET 1553-14               |
| 12   | 370053   | 1         | NOZZLE CONE JET 1553-16               |
| 12   | 370064   | 1         | NOZZLE CONE JET 1553-18               |
| 12   | 370075   | 1         | NOZZLE CONE JET 1553-20               |
| 12   | 370086   | 1         | NOZZLE CONE JET 1553-22               |
| 12   | 370097   | 1         | NOZZLE CONE JET 1553-24               |
| 12   | 370101   | 1         | NOZZLE CONE JET 1553-30               |
| 12   | 370112   | 1         | NOZZLE CONE JET 1553-35               |
| 12   | 370123   | 1         | NOZZLE CONE JET 1553-40               |
| 13   | 370134   | 1         | NOZZLE SWIRL 1554-GREY                |
| 13   | 370145   | 1         | NOZZLE SWIRL 1554-BLACK               |
| 13   | 370156   | 1         | NOZZLE SWIRL 1554-BLUE                |
| 13   | 370167   | 1         | NOZZLE SWIRL 1554-1.3 WHITE           |
| 14   | 334926   | 1         | SNAP-FIT TURN PLATE F TRIPLET         |

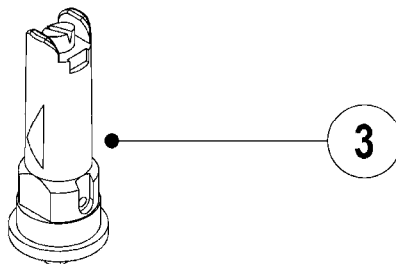


### INJET Nozzle SYNTAL



---

### B-JET Nozzle SYNTAL



**D704**



BOOM-NOZZLES INJET  
D704-HIN, 14:12:07

Page 1

Date 06.04.2015 10:37

| Pos. | parts-n° | order qty | description                    |
|------|----------|-----------|--------------------------------|
| 1    | 334083   | 1         | SNAP-FIT NOZZLE HOLDER SS BLCK |
| 2    | 371872   | 1         | NOZZLE INJET 015 GREEN SINGLE  |
| 2    | 371873   | 1         | NOZZLE INJET 02 YELLOW SINGLE  |
| 2    | 371874   | 1         | NOZZLE INJET 025 LILAC SINGLE  |
| 2    | 371875   | 1         | NOZZLE INJET 03 BLUE SINGLE    |
| 2    | 371876   | 1         | NOZZLE INJET 04 RED SINGLE     |
| 2    | 371926   | 1         | NOZZLE INJET 01 ORANGE SINGLE  |
| 2    | 371927   | 1         | NOZZLE INJET 05 BROWN SINGLE   |
| 2    | 371928   | 1         | NOZZLE INJET 06 GREY SINGLE    |
| 2    | 371929   | 1         | NOZZLE INJET 08 WHITE SINGLE   |
| 3    | 371870   | 1         | NOZZLE B-JET 03 BLUE           |
| 3    | 371871   | 1         | NOZZLE B-JET 04 RED            |
| 3    | 371877   | 1         | NOZZLE B-JET 025 LILAC         |
| 3    | 371930   | 1         | NOZZLE B-JET 02 YELLOW         |

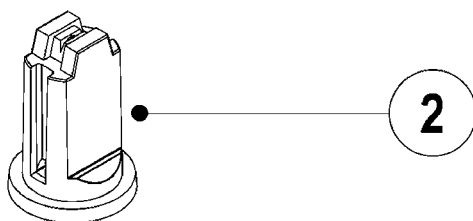
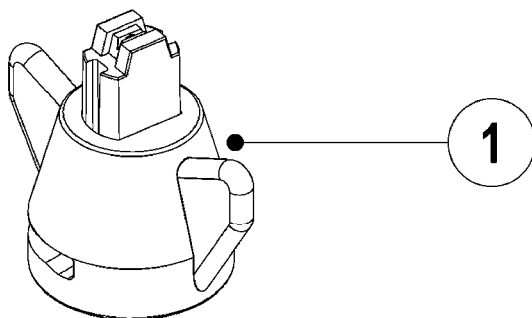




BOOM-NOZZLES MINIDRIFT  
D705-HIN, 14:12:07

Page 0

Date 06.04.2015 10:37



**D705**



BOOM-NOZZLES MINIDRIFT  
D705-HIN, 14:12:07

Page 1

Date 06.04.2015 10:37

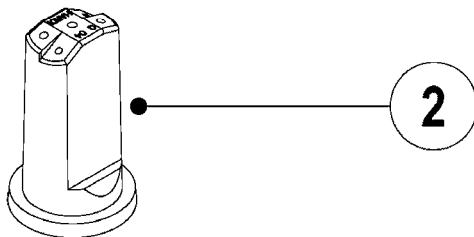
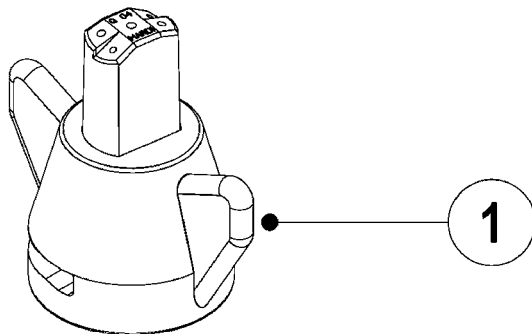
| Pos. | parts-n° | order qty | description                    |
|------|----------|-----------|--------------------------------|
| 1    | 372121   | 1         | NOZZLE ISO CT MD-015-110 GREEN |
| 1    | 372122   | 1         | NOZZLE ISO CT MD-02-110 YELLOW |
| 1    | 372123   | 1         | NOZZLE ISO CT MD-025-110 LILAC |
| 1    | 372124   | 1         | NOZZLE ISO CT MD-03-110 BLUE   |
| 1    | 372125   | 1         | NOZZLE ISO CT MD-04-110 RED    |
| 1    | 372126   | 1         | NOZZLE ISO CT MD-05-110 BROWN  |
| 2    | 372111   | 1         | NOZZLE ISO MD-015-110 GREEN    |
| 2    | 372112   | 1         | NOZZLE ISO MD-02-110 YELLOW    |
| 2    | 372113   | 1         | NOZZLE ISO MD-025-110 LILAC    |
| 2    | 372114   | 1         | NOZZLE ISO MD-03-110 BLUE      |
| 2    | 372115   | 1         | NOZZLE ISO MD-04-110 RED       |
| 2    | 372116   | 1         | NOZZLE ISO MD-05-110 BROWN     |



BOOM-NOZZLES QUINTASTREAM  
D706-HIN, 14:12:07

Page 0

Date 06.04.2015 10:37



**D706**



BOOM-NOZZLES QUINTASTREAM  
D706-HIN, 14:12:07

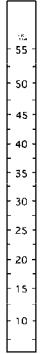
Page 1

Date 06.04.2015 10:37

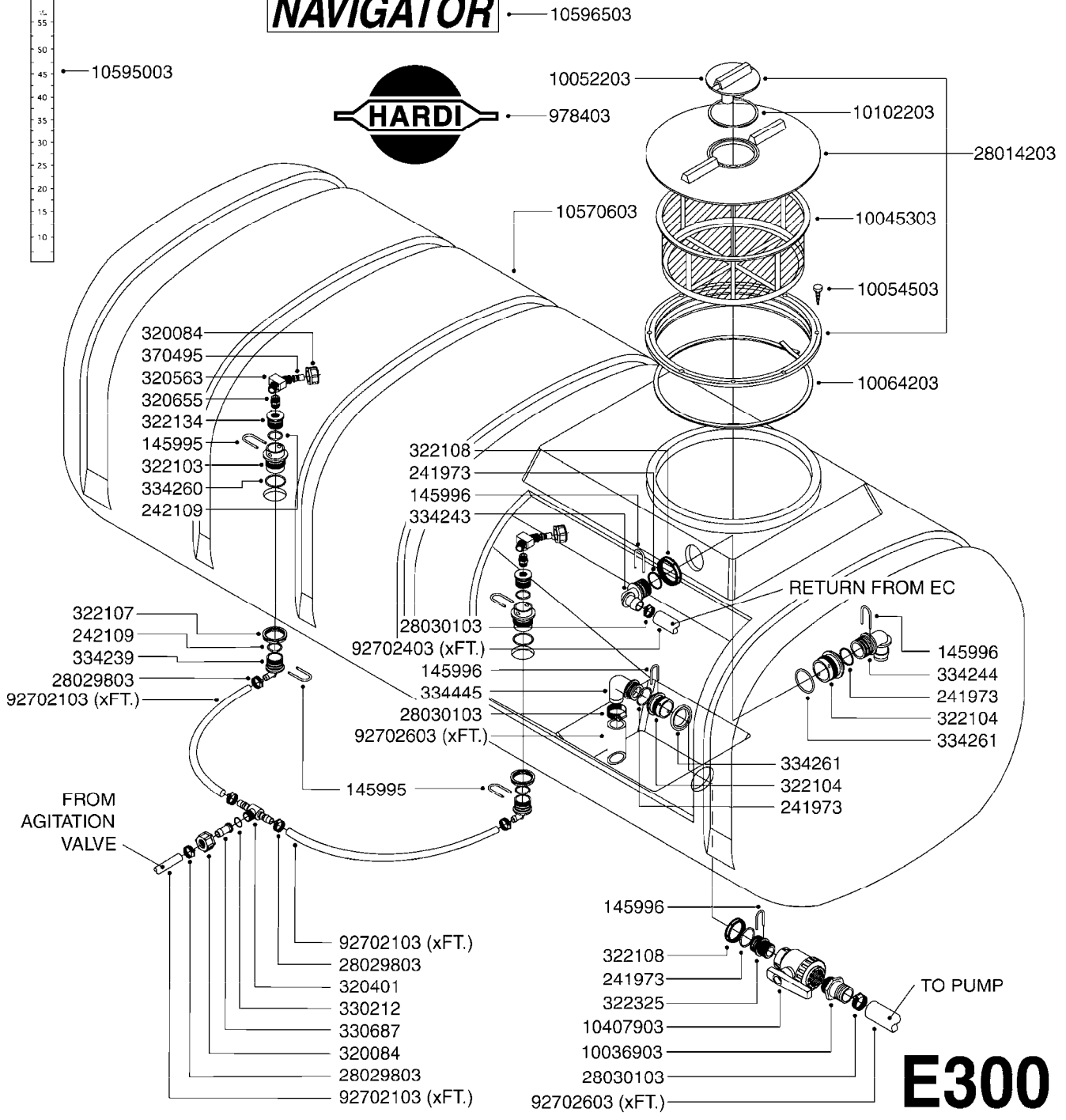
| Pos. | parts-n° | order qty | description                   |
|------|----------|-----------|-------------------------------|
| 1    | 372011   | 1         | NOZZLE ISO QS-015-5H GREEN    |
| 1    | 372012   | 1         | NOZZLE ISO QS-02-5H YELLOW    |
| 1    | 372013   | 1         | NOZZLE ISO QS-03-5H BLUE      |
| 1    | 372014   | 1         | NOZZLE ISO QS-04-5H RED       |
| 1    | 372015   | 1         | NOZZLE ISO QS-05-5H BROWN     |
| 1    | 372016   | 1         | NOZZLE ISO QS-06-5H GREY      |
| 1    | 372017   | 1         | NOZZLE ISO QS-08-5H WHITE     |
| 1    | 372018   | 1         | NOZZLE ISO QS-10-5H LT. BLUE  |
| 1    | 372019   | 1         | NOZZLE ISO QS-15-5H LT. GREEN |
| 2    | 372002   | 1         | ISO QNTSTRM 015 S-GREEN       |
| 2    | 372003   | 1         | ISO QNTSTRM 02 S-YELLOW       |
| 2    | 372004   | 1         | ISO QNTSTRM 03 S-BLUE         |
| 2    | 372005   | 1         | ISO QNTSTRM 04 S-RED          |
| 2    | 372006   | 1         | ISO QNTSTRM 05 S-BROWN        |
| 2    | 372007   | 1         | ISO QNTSTRM 06 S-GREY         |
| 2    | 372008   | 1         | ISO QNTSTRM 08 S-WHITE        |
| 2    | 372009   | 1         | ISO QNTSTRM 10 S-LT.BLU       |
| 2    | 372010   | 1         | ISO QNTSTRM 15 S-LT.GRN       |



For Drain Assy.  
See Page G120



# NAVIGATOR



# E300



TANK 550 NAV/NAV-M CENTRIFUGAL  
E300-HIN, 07:12:09

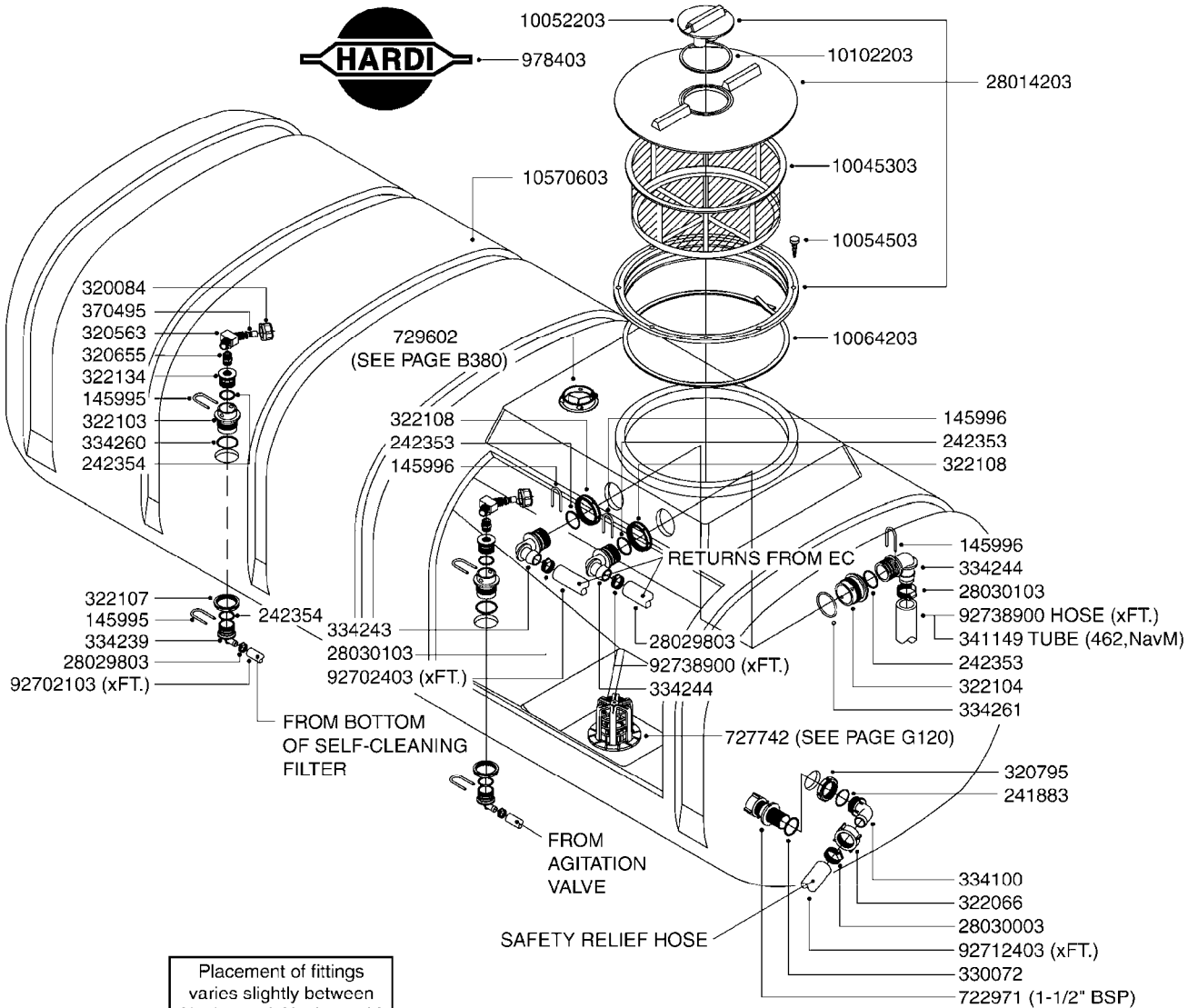
Page 1

Date 06.04.2015 10:37

| parts-n° | order qty | description                    |
|----------|-----------|--------------------------------|
| 145995   | 1         | FITT.DK S-53 FORK              |
| 145996   | 1         | FITT.DK S-67 FORK              |
| 241973   | 1         | O-RING 44.2 x 3.0 (use-242353) |
| 242109   | 1         | O-RING D32.2x3.0 (USE 242354)  |
| 320084   | 1         | FITT.DK NUT 1/2" BSP           |
| 320401   | 1         | FITT.DK TEE 1/2X1/2HB X1/2"BSP |
| 320563   | 1         | FITT.DK 3 WAY 1/2" 110 DEG.    |
| 320655   | 1         | FITT.DK HN 1/2"-1/2" BSP       |
| 322103   | 1         | FITT.DK S-53 BULKHEAD          |
| 322104   | 1         | FITT.DK S-67 BULKHEAD          |
| 322107   | 1         | FITT.DK S-53 BULKHEAD NUT      |
| 322108   | 1         | FITT.DK S-67 BULKHEAD NUT      |
| 322134   | 1         | FITT.DK S-53THREAD INS.1/2"BSP |
| 322325   | 1         | FITT.DK S-67 X 1-1/2"BSP LONG  |
| 330212   | 1         | O-RING D19/D14X2.4 F.1/2"NUT   |
| 330687   | 1         | FITT.DK HB 1/2" F. 1/2" NUT    |
| 334239   | 1         | FITT.DK S-53 ELB.1/2"          |
| 334243   | 1         | FITT.DK S-67 ELB.1"            |
| 334244   | 1         | FITT.DK S-67 ELB.1-1/4"        |
| 334260   | 1         | GASKET F. S-53 BULKHEAD        |
| 334261   | 1         | GASKET F. S-67 BULKHEAD        |
| 334445   | 1         | FITT.DK S-67 ELB.1-1/2"        |
| 370495   | 1         | NOZZLE INJECTOR 5066-3.0       |
| 978403   | 1         | DECAL COMPANY 280 X 450        |
| 10036903 | 1         | FITT.PO.HB 1.50X1.50 IMB1212   |
| 10045303 | 1         | FILTER BASKET 16"              |
| 10052203 | 1         | LID VENT ASSY                  |
| 10054503 | 1         | SCREW 3/4" SELF TAPPING        |
| 10064203 | 1         | SET SEALING SPONGE 1 Ft BULK   |
| 10102203 | 1         | GASKET F.16" LID BREATHER      |
| 10407903 | 1         | BALL VALVE 1-1/2" MCPHEE       |
| 10570603 | 1         | TANK RAW NAV.550 GAL.          |
| 10595003 | 1         | DECAL SCALE NAV 550 F.TANK     |
| 10596503 | 1         | DECAL NAVIGATOR LABEL          |
| 28014203 | 1         | LID ASSY. (3-PC.) 16" ARAG     |
| 28029803 | 1         | CLAMP HOSE GEAR P1/2" 6708     |
| 28030103 | 1         | CLAMP HOSE GEAR P5/4-S1.5"6724 |
| 92702103 | 1         | HOSE R X1/2" X300PSI WP X0012" |
| 92702403 | 1         | HOSE PVC SUCT GRAY 1"          |
| 92702603 | 1         | HOSE PVC SUCT GRAY 1-1/2"      |



**NAVIGATOR** ← 10596503



Placement of fittings varies slightly between Navigator & Navigator M

# E310



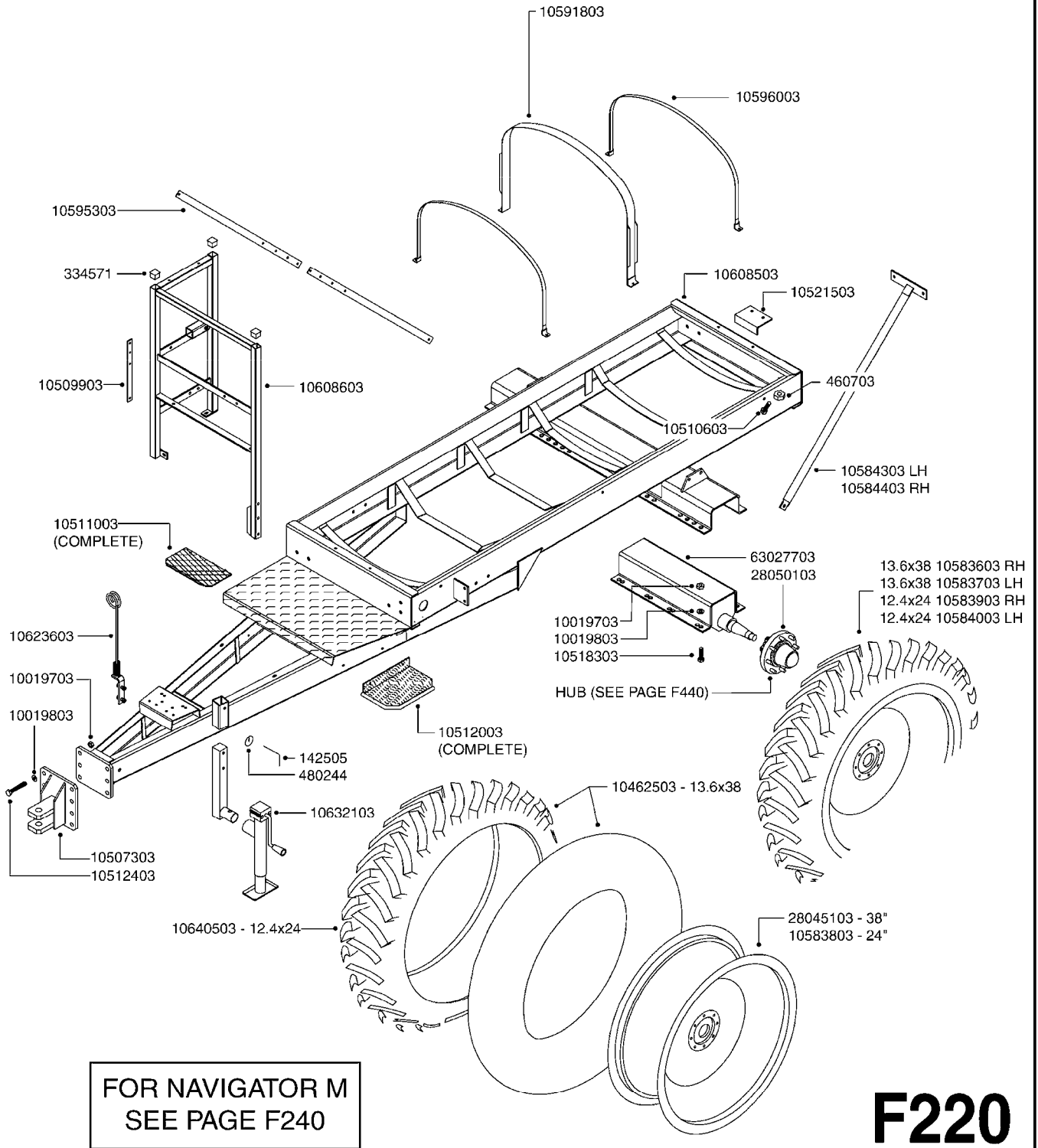
TANK 550 NAV & NAV-M DIAPHRAGM  
E310-HIN, 19:05:11

Page 1

Date 06.04.2015 10:37

| parts-n° | order qty | description                     |
|----------|-----------|---------------------------------|
| 145995   | 1         | FITT.DK S-53 FORK               |
| 145996   | 1         | FITT.DK S-67 FORK               |
| 241883   | 1         | O-RING D39.2X3 NITRIL 242020    |
| 242353   | 1         | O-RING D44.2X3.0 VITON F.S-67   |
| 242354   | 1         | O-RING D32.2X3.0 VITON F.S-53   |
| 320084   | 1         | FITT.DK NUT 1/2" BSP            |
| 320563   | 1         | FITT.DK 3 WAY 1/2" 110 DEG.     |
| 320655   | 1         | FITT.DK HN 1/2"-1/2" BSP        |
| 320795   | 1         | FITT.DK NUT 1-1/2" BSP JAMB     |
| 322066   | 1         | FITT.DK S-56 NUT                |
| 322103   | 1         | FITT.DK S-53 BULKHEAD           |
| 322104   | 1         | FITT.DK S-67 BULKHEAD           |
| 322107   | 1         | FITT.DK S-53 BULKHEAD NUT       |
| 322108   | 1         | FITT.DK S-67 BULKHEAD NUT       |
| 322134   | 1         | FITT.DK S-53THREAD INS.1/2"BSP  |
| 330072   | 1         | O-RING D53.5/D45.5X4            |
| 334100   | 1         | FITT.DK S-61 ELB.1" 110 DEG.    |
| 334239   | 1         | FITT.DK S-53 ELB.1/2"           |
| 334243   | 1         | FITT.DK S-67 ELB.1"             |
| 334244   | 1         | FITT.DK S-67 ELB.1-1/4"         |
| 334260   | 1         | GASKET F. S-53 BULKHEAD         |
| 334261   | 1         | GASKET F. S-67 BULKHEAD         |
| 341149   | 1         | RETURN TUBE Ø40 L=2000          |
| 370495   | 1         | NOZZLE INJECTOR 5066-3.0        |
| 722971   | 1         | SAFETY VALVE SCF 217PSI (15BAR) |
| 727742   | 1         | TOP DRAIN CORD TYPE             |
| 729602   | 1         | TOP SUCTION KIT NAV 2"          |
| 978403   | 1         | DECAL COMPANY 280 X 450         |
| 10045303 | 1         | FILTER BASKET 16"               |
| 10052203 | 1         | LID VENT ASSY                   |
| 10054503 | 1         | SCREW 3/4" SELF TAPPING         |
| 10064203 | 1         | SET SEALING SPONGE 1 Ft BULK    |
| 10102203 | 1         | GASKET F.16" LID BREATHER       |
| 10570603 | 1         | TANK RAW NAV.550 GAL.           |
| 10596503 | 1         | DECAL NAVIGATOR LABEL           |
| 28014203 | 1         | LID ASSY. (3-PC.) 16" ARAG      |
| 28029803 | 1         | CLAMP HOSE GEAR P1/2" 6708      |
| 28030003 | 1         | CLAMP HOSE GEAR P1" 6716        |
| 28030103 | 1         | CLAMP HOSE GEAR P5/4-S1.5"6724  |
| 92702103 | 1         | HOSE R X1/2" X300PSI WP X0012"  |
| 92702403 | 1         | HOSE PVC SUCT GRAY 1"           |
| 92712403 | 1         | HOSE R X1" X300PSI WP X0012"    |
| 92738900 | 1         | HOSE R X PVC X 1-1/4" 0012"     |



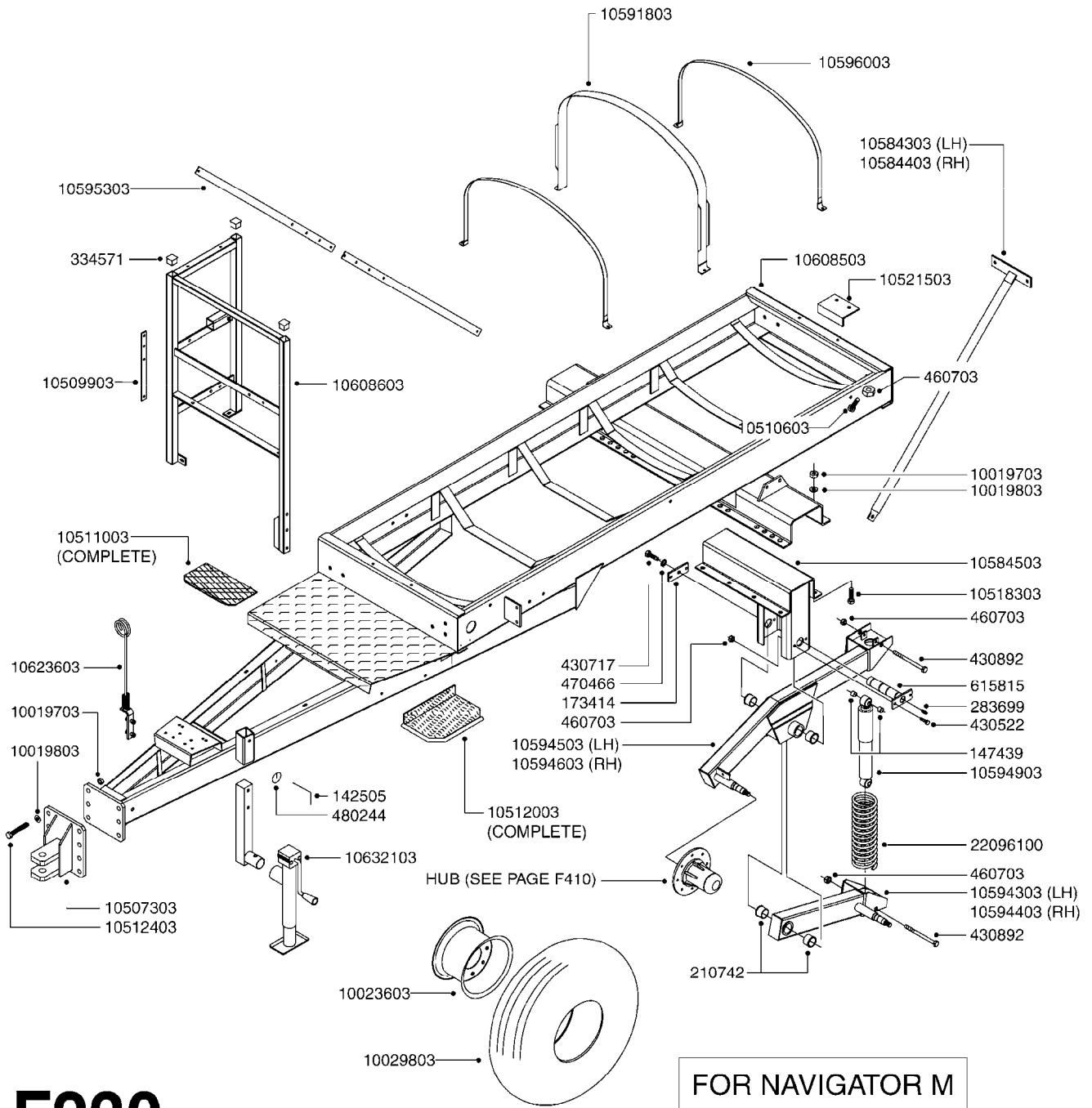




FRAME NAVIGATOR HC 550  
F220-HIN, 21:05:09

Page 1  
Date 06.04.2015 10:37

| parts-n° | order qty | description                    |
|----------|-----------|--------------------------------|
| 142505   | 1         | LOCKING PAWL 12 X 70MM         |
| 334571   | 1         | TAPON 40x40x2 EMBELLECEDOR     |
| 460703   | 1         | NUT HEX M12X1.75 LOCK DIN985   |
| 480244   | 1         | PIN SNAP D4.5                  |
| 10019703 | 1         | NUT HEX NC FHN 3/4-10 Z 5      |
| 10019803 | 1         | WASHER LOCK L/W Z 3/4"         |
| 10462503 | 1         | TIRE 11.2" X 38" 4 PLY TUBE L. |
| 10507303 | 1         | CLEVIS NAV.550/800/1000 GAL.   |
| 10509903 | 1         | FLATBAR F.FILTER               |
| 10510603 | 1         | BOLT F.ANCHOR STRAP            |
| 10511003 | 1         | FRONT STEP ASSY.550/800/1000   |
| 10512003 | 1         | SIDE STEP ASSY.550/800/1000    |
| 10512403 | 1         | BOLT HEX 3/4 NC GR.8 02.25"    |
| 10518303 | 1         | BOLT HEX 2&3/4 NC GR.8 3.00"   |
| 10521503 | 1         | NAV TANK STOP BKT.KIT          |
| 10583603 | 1         | TIRE ASSY 11.2X38 RH 8"BC      |
| 10583703 | 1         | TIRE ASSY 11.2X38 LH 8"BC      |
| 10583803 | 1         | RIM 24X10X8"BC 4-1/8"NEG OFFS  |
| 10583903 | 1         | TIRE ASSY 12.4X24X8"BC RH TL   |
| 10584003 | 1         | TIRE ASSY 12.4X24X8"BC LH TL   |
| 10584303 | 1         | SIDE BRACE 550 L.H.            |
| 10584403 | 1         | SIDE BRACE 550 R.H.            |
| 10591803 | 1         | STRAP F. TANK REINFOR.550 NAV  |
| 10595303 | 1         | FLATBAR SIDE STRAP F.NAV550    |
| 10596003 | 1         | STRAP F.NAV TANK 550GAL L=86.2 |
| 10608503 | 1         | FRAME NAVIGATOR 550-98         |
| 10608603 | 1         | HANDRAIL NAV. 550-98           |
| 10623603 | 1         | CABLE & HOSE HOLDER NAV.       |
| 10632103 | 1         | JACK F RANGER 5000LB           |
| 10640503 | 1         | TIRE 12.4 X 24" 6 PLY R1       |
| 28045103 | 1         | RIM 38X10 8/8/6 4.18-OS GRAY   |
| 28050103 | 1         | HUB F 3" 758 7500# PACKAGE     |
| 63027703 | 1         | AXLE RANGER 60-98              |



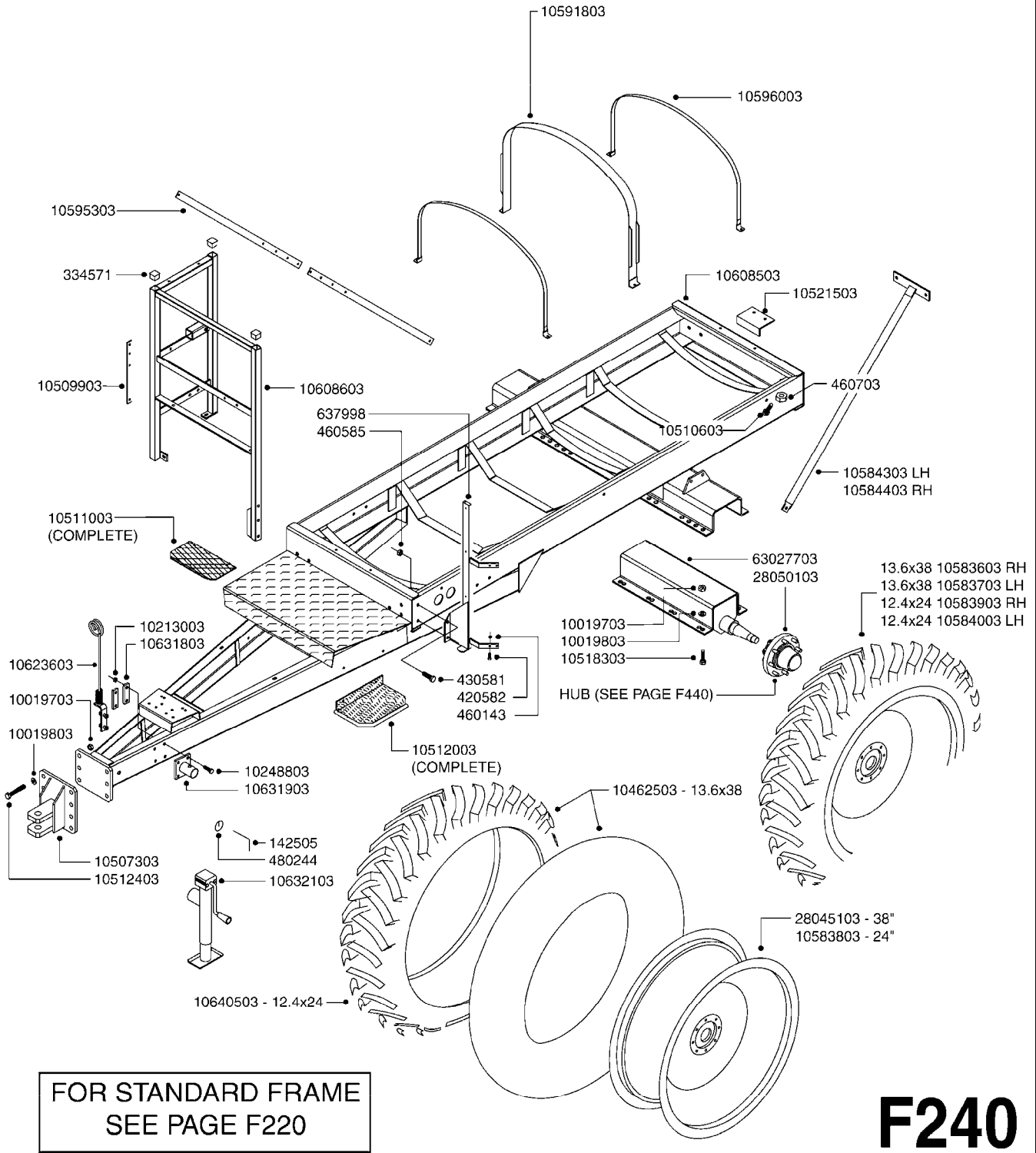
**F230**

FOR NAVIGATOR M  
SEE PAGE F250



FRAME NAVIGATOR STA 550  
F230-HIN, 15:06:07

| parts-n° | order qty | description                    |
|----------|-----------|--------------------------------|
| 142505   | 1         | LOCKING PAWL 12 X 70MM         |
| 147439   | 1         | BUSHING 019, O/013 L=20        |
| 173414   | 1         | FLATBAR 60x10 L=130/2x013-1x01 |
| 210742   | 1         | BUSHING TA500                  |
| 283699   | 1         | GREASE NIPPLE M6X1             |
| 334571   | 1         | TAPON 40x40x2 EMBELLECEDOR     |
| 430522   | 1         | BOLT HEX 8.8 DEL M12X25 FT     |
| 430717   | 1         | BOLT HEX 8.8 RAW M12x40        |
| 430892   | 1         | BOLT HEX 8.8 DEL M12X110       |
| 460703   | 1         | NUT HEX M12X1.75 LOCK DIN985   |
| 470466   | 1         | WASHER D21.1/D12.2X2.5 LOCK    |
| 480244   | 1         | PIN SNAP D4.5                  |
| 615815   | 1         | BEARING BOLT 050 L=336         |
| 10019703 | 1         | NUT HEX NC FHN 3/4-10 Z 5      |
| 10019803 | 1         | WASHER LOCK L/W Z 3/4"         |
| 10023603 | 1         | RIM 15 X 8 X 6 BOLT            |
| 10029803 | 1         | TIRE & TUBE 11L15 8 PLY        |
| 10507303 | 1         | CLEVIS NAV.550/800/1000 GAL.   |
| 10509903 | 1         | FLATBAR F.FILTER               |
| 10510603 | 1         | BOLT F.ANCHOR STRAP            |
| 10511003 | 1         | FRONT STEP ASSY.550/800/1000   |
| 10512003 | 1         | SIDE STEP ASSY.550/800/1000    |
| 10512403 | 1         | BOLT HEX 3/4 NC GR.8 02.25"    |
| 10518303 | 1         | BOLT HEX 2&3/4 NC GR.8 3.00"   |
| 10521503 | 1         | NAV TANK STOP BKT.KIT          |
| 10584303 | 1         | SIDE BRACE 550 L.H.            |
| 10584403 | 1         | SIDE BRACE 550 R.H.            |
| 10584503 | 1         | AXLE INSERT S.T.A.             |
| 10591803 | 1         | STRAP F. TANK REINFOR.550 NAV  |
| 10594303 | 1         | STA LOWER BEAMW/M W.SPINDLE LH |
| 10594403 | 1         | STA LOWER BEAMW/M W/SPINDLE RH |
| 10594503 | 1         | STA TOP BEAM W/M W/SPINDLE LH  |
| 10594603 | 1         | STA TOP BEAM W/M W/SPINDLE RH  |
| 10594903 | 1         | SHOCK ABSORBER STA             |
| 10595303 | 1         | FLATBAR SIDE STRAP F.NAV550    |
| 10596003 | 1         | STRAP F.NAV TANK 550GAL L=86.2 |
| 10608503 | 1         | FRAME NAVIGATOR 550-98         |
| 10608603 | 1         | HANDRAIL NAV. 550-98           |
| 10623603 | 1         | CABLE & HOSE HOLDER NAV.       |
| 10632103 | 1         | JACK F RANGER 5000LB           |
| 22096100 | 1         | SPRING D146/20 BLACK           |



FOR STANDARD FRAME  
SEE PAGE F220

**F240**

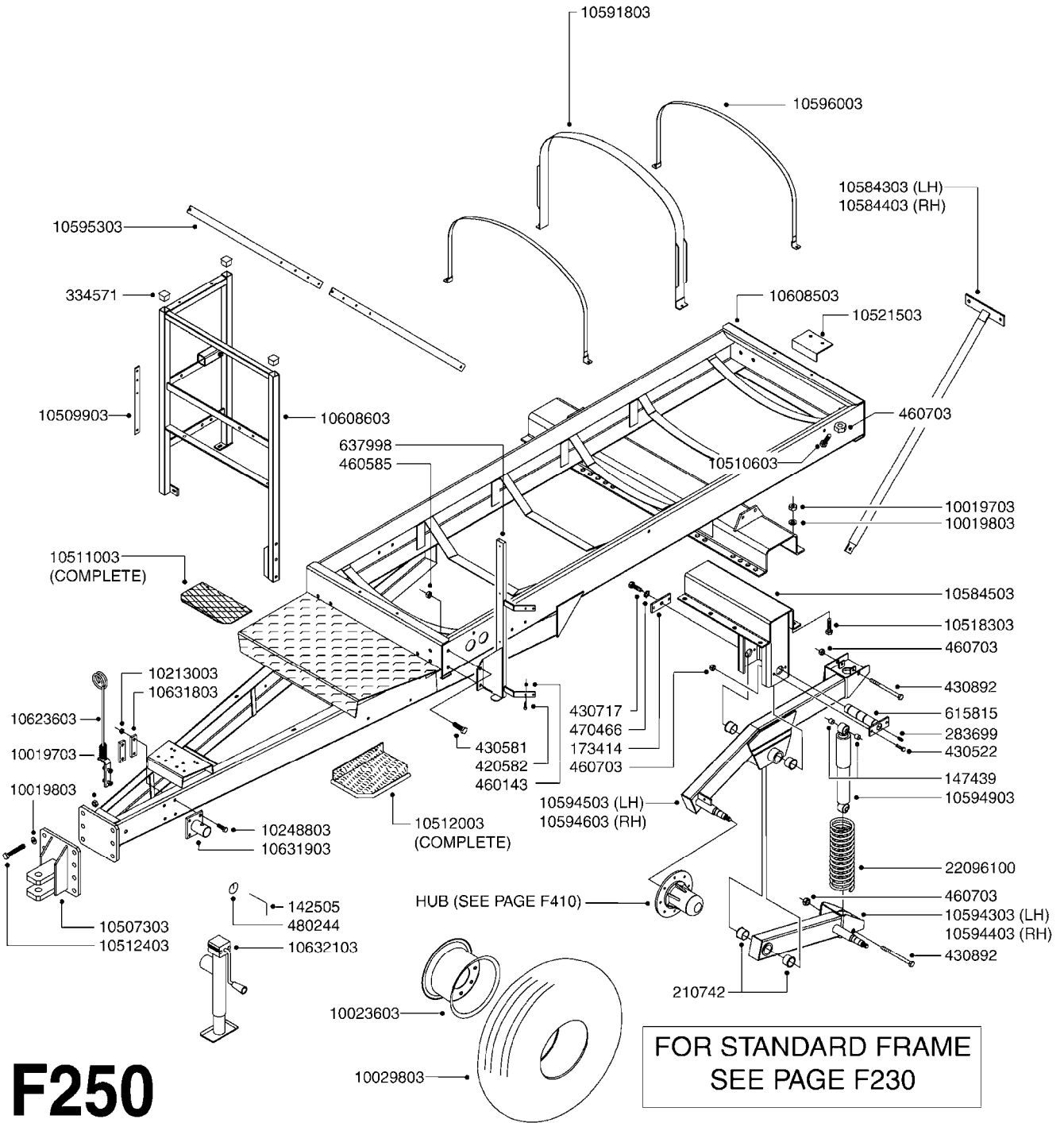


FRAME - NAVIGATOR M HC 550  
F240-HIN, 21:05:09

Page 1

Date 06.04.2015 10:37

| parts-n° | order qty | description                    |
|----------|-----------|--------------------------------|
| 142505   | 1         | LOCKING PAWL 12 X 70MM         |
| 334571   | 1         | TAPON 40x40x2 EMBELLECEDOR     |
| 420582   | 1         | BOLT HEX 8.8 DEL M8X20 FT A2   |
| 430581   | 1         | BOLT HEX 8.8 DEL M16X40 FT     |
| 460143   | 1         | NUT HEX M8 LOCK A2 DIN985      |
| 460585   | 1         | NUT HEX M16X2 LOCK             |
| 460703   | 1         | NUT HEX M12X1.75 LOCK DIN985   |
| 480244   | 1         | PIN SNAP D4.5                  |
| 637998   | 1         | MANIFOLD BKT. NAVIGATOR        |
| 10019703 | 1         | NUT HEX NC FHN 3/4-10 Z 5      |
| 10019803 | 1         | WASHER LOCK L/W Z 3/4"         |
| 10213003 | 1         | NUT HEX NC (NYLON LOCK) 7/16"  |
| 10248803 | 1         | BOLT HEX 7/16 NC GR.2 02.00"   |
| 10462503 | 1         | TIRE 11.2" X 38" 4 PLY TUBE L. |
| 10507303 | 1         | CLEVIS NAV.550/800/1000 GAL.   |
| 10509903 | 1         | FLATBAR F.FILTER               |
| 10510603 | 1         | BOLT F.ANCHOR STRAP            |
| 10511003 | 1         | FRONT STEP ASSY.550/800/1000   |
| 10512003 | 1         | SIDE STEP ASSY.550/800/1000    |
| 10512403 | 1         | BOLT HEX 3/4 NC GR.8 02.25"    |
| 10518303 | 1         | BOLT HEX 2&3/4 NC GR.8 3.00"   |
| 10521503 | 1         | NAV TANK STOP BKT.KIT          |
| 10583603 | 1         | TIRE ASSY 11.2X38 RH 8"BC      |
| 10583703 | 1         | TIRE ASSY 11.2X38 LH 8"BC      |
| 10583803 | 1         | RIM 24X10X8"BC 4-1/8"NEG OFFS  |
| 10583903 | 1         | TIRE ASSY 12.4X24X8"BC RH TL   |
| 10584003 | 1         | TIRE ASSY 12.4X24X8"BC LH TL   |
| 10584303 | 1         | SIDE BRACE 550 L.H.            |
| 10584403 | 1         | SIDE BRACE 550 R.H.            |
| 10591803 | 1         | STRAP F. TANK REINFOR.550 NAV  |
| 10595303 | 1         | FLATBAR SIDE STRAP F.NAV550    |
| 10596003 | 1         | STRAP F.NAV TANK 550GAL L=86.2 |
| 10608503 | 1         | FRAME NAVIGATOR 550-98         |
| 10608603 | 1         | HANDRAIL NAV. 550-98           |
| 10623603 | 1         | CABLE & HOSE HOLDER NAV.       |
| 10631803 | 1         | FLATBAR 1/4" x 110MM F.JACK    |
| 10631903 | 1         | JACK MOUNT NAV550/1000 W/MOUNT |
| 10632103 | 1         | JACK F RANGER 5000LB           |
| 10640503 | 1         | TIRE 12.4 X 24" 6 PLY R1       |
| 28045103 | 1         | RIM 38X10 8/8/6 4.18-OS GRAY   |
| 28050103 | 1         | HUB F 3" 758 7500# PACKAGE     |
| 63027703 | 1         | AXLE RANGER 60-98              |





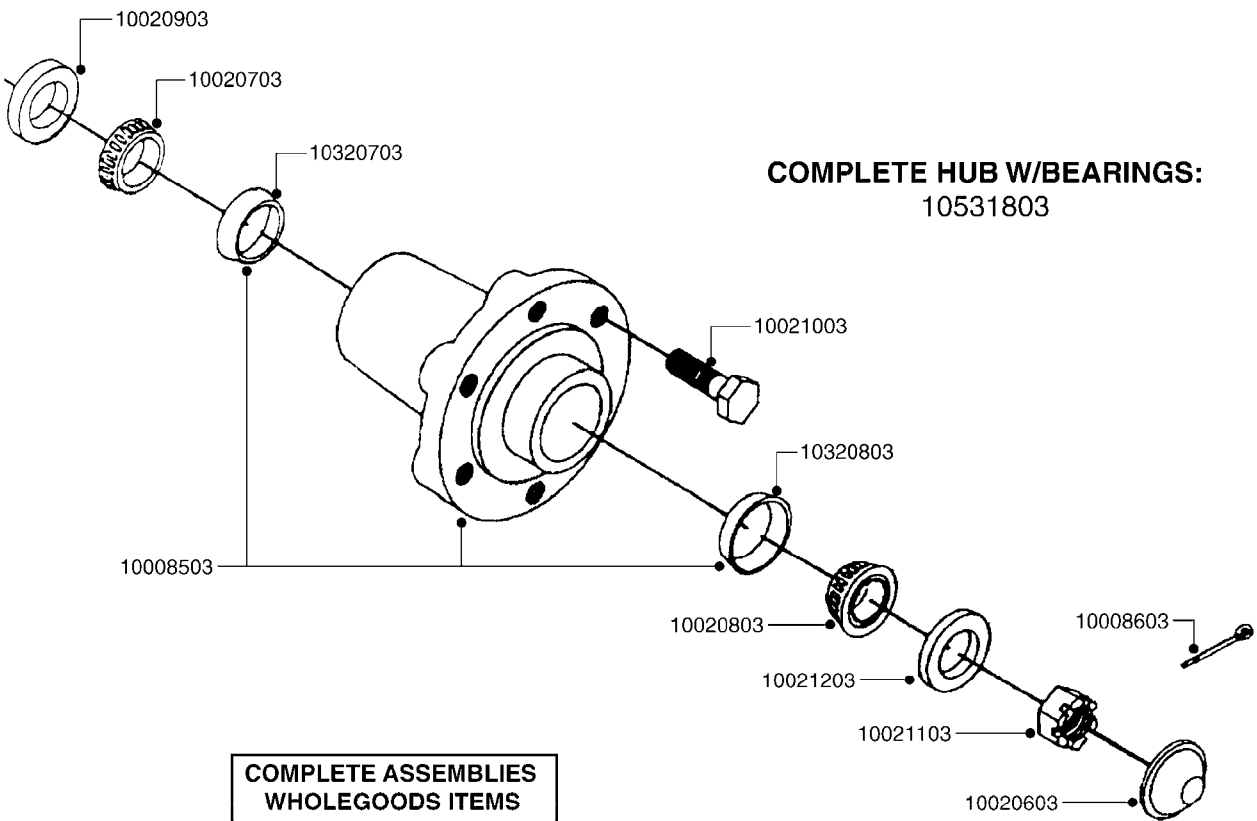
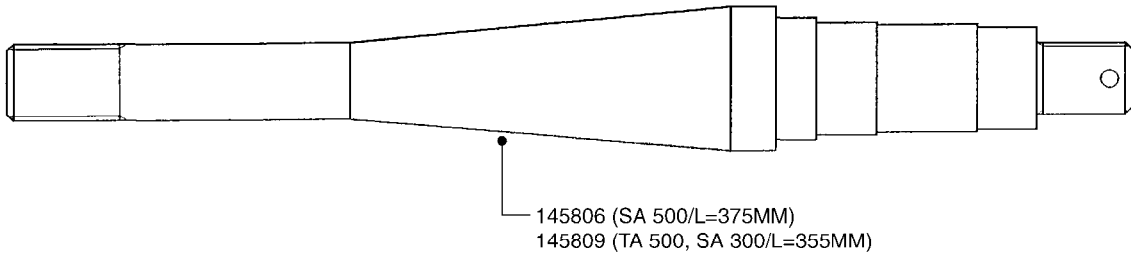
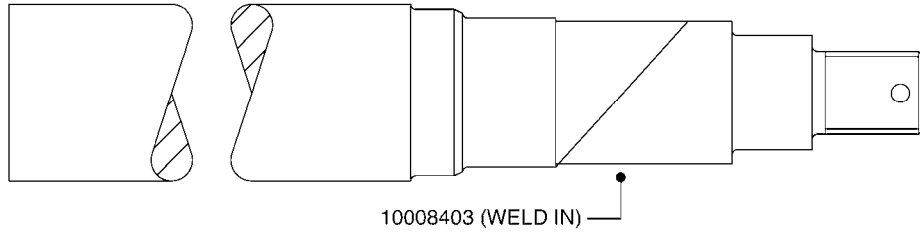
FRAME NAVIGATOR M STA 550  
F250-HIN, 15:06:07

Page 1

Date 06.04.2015 10:37

| parts-n° | order qty | description                    |
|----------|-----------|--------------------------------|
| 142505   | 1         | LOCKING PAWL 12 X 70MM         |
| 147439   | 1         | BUSHING 019, O/013 L=20        |
| 173414   | 1         | FLATBAR 60x10 L=130/2x013-1x01 |
| 210742   | 1         | BUSHING TA500                  |
| 283699   | 1         | GREASE NIPPLE M6X1             |
| 334571   | 1         | TAPON 40x40x2 EMBELLECEDOR     |
| 420582   | 1         | BOLT HEX 8.8 DEL M8X20 FT A2   |
| 430522   | 1         | BOLT HEX 8.8 DEL M12X25 FT     |
| 430581   | 1         | BOLT HEX 8.8 DEL M16X40 FT     |
| 430717   | 1         | BOLT HEX 8.8 RAW M12x40        |
| 430892   | 1         | BOLT HEX 8.8 DEL M12X110       |
| 460143   | 1         | NUT HEX M8 LOCK A2 DIN985      |
| 460585   | 1         | NUT HEX M16X2 LOCK             |
| 460703   | 1         | NUT HEX M12X1.75 LOCK DIN985   |
| 470466   | 1         | WASHER D21.1/D12.2X2.5 LOCK    |
| 480244   | 1         | PIN SNAP D4.5                  |
| 615815   | 1         | BEARING BOLT 050 L=336         |
| 637998   | 1         | MANIFOLD BKT. NAVIGATOR        |
| 10019703 | 1         | NUT HEX NC FHN 3/4-10 Z 5      |
| 10019803 | 1         | WASHER LOCK L/W Z 3/4"         |
| 10023603 | 1         | RIM 15 X 8 X 6 BOLT            |
| 10029803 | 1         | TIRE & TUBE 11L15 8 PLY        |
| 10213003 | 1         | NUT HEX NC (NYLON LOCK) 7/16"  |
| 10248803 | 1         | BOLT HEX 7/16 NC GR.2 02.00"   |
| 10507303 | 1         | CLEVIS NAV.550/800/1000 GAL.   |
| 10509903 | 1         | FLATBAR F.FILTER               |
| 10510603 | 1         | BOLT F.ANCHOR STRAP            |
| 10511003 | 1         | FRONT STEP ASSY.550/800/1000   |
| 10512003 | 1         | SIDE STEP ASSY.550/800/1000    |
| 10512403 | 1         | BOLT HEX 3/4 NC GR.8 02.25"    |
| 10518303 | 1         | BOLT HEX 2&3/4 NC GR.8 3.00"   |
| 10521503 | 1         | NAV TANK STOP BKT.KIT          |
| 10584303 | 1         | SIDE BRACE 550 L.H.            |
| 10584403 | 1         | SIDE BRACE 550 R.H.            |
| 10584503 | 1         | AXLE INSERT S.T.A.             |
| 10591803 | 1         | STRAP F. TANK REINFOR.550 NAV  |
| 10594303 | 1         | STA LOWER BEAMW/M W.SPINDLE LH |
| 10594403 | 1         | STA LOWER BEAMW/M W/SPINDLE RH |
| 10594503 | 1         | STA TOP BEAM W/M W/SPINDLE LH  |
| 10594603 | 1         | STA TOP BEAM W/M W/SPINDLE RH  |
| 10594903 | 1         | SHOCK ABSORBER STA             |
| 10595303 | 1         | FLATBAR SIDE STRAP F.NAV550    |
| 10596003 | 1         | STRAP F.NAV TANK 550GAL L=86.2 |
| 10608503 | 1         | FRAME NAVIGATOR 550-98         |
| 10608603 | 1         | HANDRAIL NAV. 550-98           |
| 10623603 | 1         | CABLE & HOSE HOLDER NAV.       |
| 10631803 | 1         | FLATBAR 1/4" x 110MM F.JACK    |
| 10631903 | 1         | JACK MOUNT NAV550/1000 W/MOUNT |
| 10632103 | 1         | JACK F RANGER 5000LB           |
| 22096100 | 1         | SPRING D146/20 BLACK           |





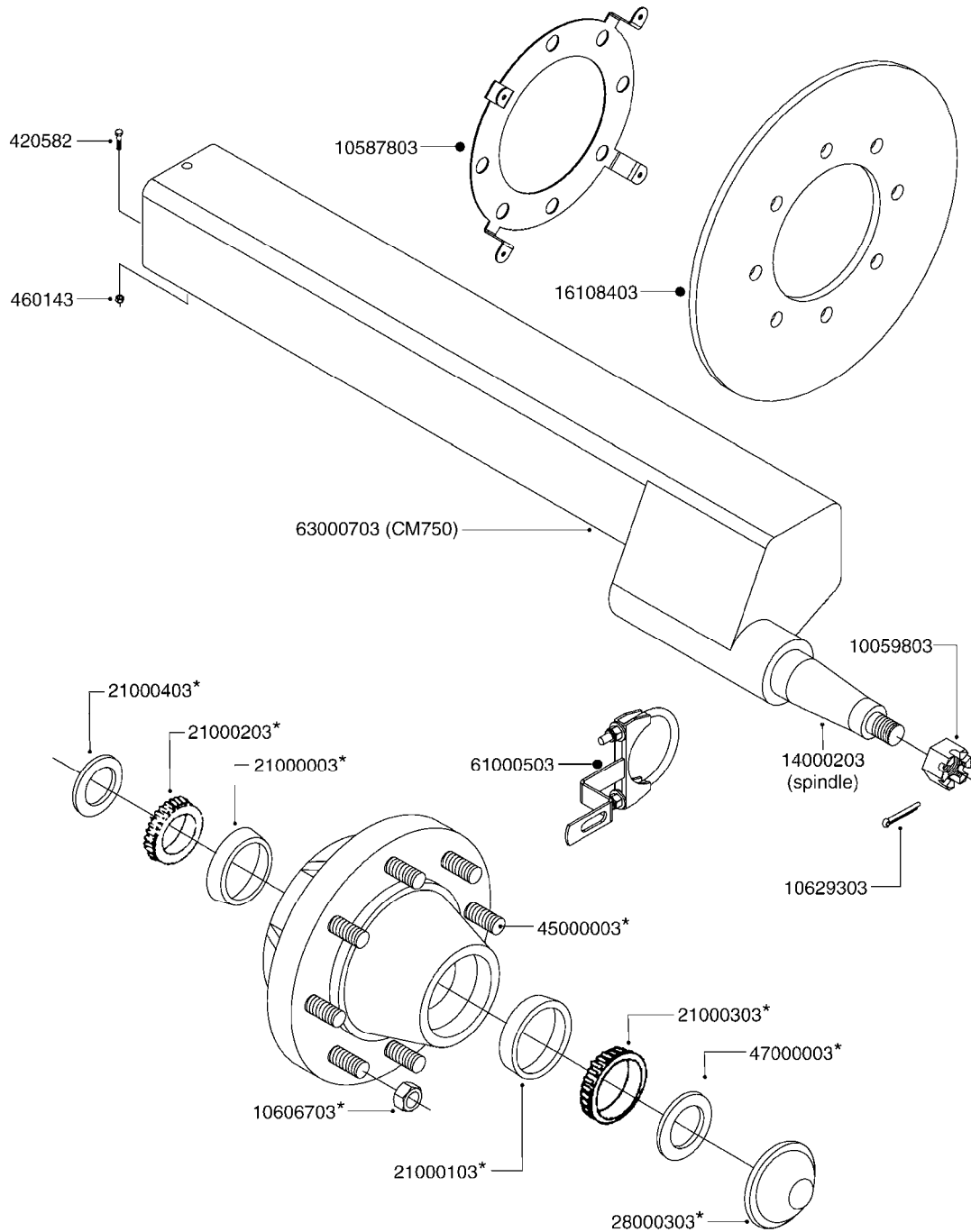
# F410



HUB ASSEMBLY F.1-3/4" SPINDLE  
F410-HIN, 22:08:05

Page 1  
Date 06.04.2015 10:37

| parts-n° | order qty | description                    |
|----------|-----------|--------------------------------|
| 145806   | 1         | SPINDLE 500 SINGLE             |
| 145809   | 1         | SPINDLE 300 SINGLE             |
| 10008403 | 1         | SPINDLE ASSY. 1.75x13.25       |
| 10008503 | 1         | HUB TR300/500 H611-3 C/W CUPS  |
| 10008603 | 1         | COTTER PIN 1/8"X 1-1/2"        |
| 10020603 | 1         | DUST CAP DC13                  |
| 10020703 | 1         | BEARING INNER CORE LM48548     |
| 10020803 | 1         | BEARING OUTER CORE LM67048     |
| 10020903 | 1         | SEAL OIL CR15190               |
| 10021003 | 1         | BOLT HEX 1/2 NF 01.375" WHEEL  |
| 10021103 | 1         | NUT HEX NF 7/8 WB32            |
| 10021203 | 1         | WASHER PLATE D2"D.937"         |
| 10320703 | 1         | BEARING INNER CUP              |
| 10320803 | 1         | BEARING OUTER CUP              |
| 10531803 | 1         | HUB ASSY.COMP.F.1-3/4" SPINDLE |



\*28050103 - COMPLETE HUB ASSEMBLY

COMPLETE ASSEMBLIES  
WHOLEGOODS ITEMS

**F440**



HUB ASSY F. 3" SPINDLE CM750  
F440-HIN, 08:06:10

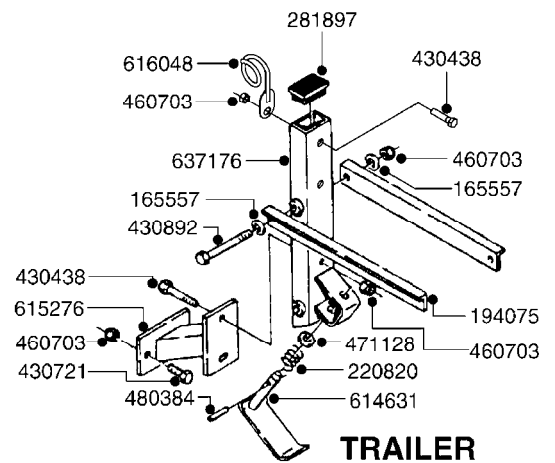
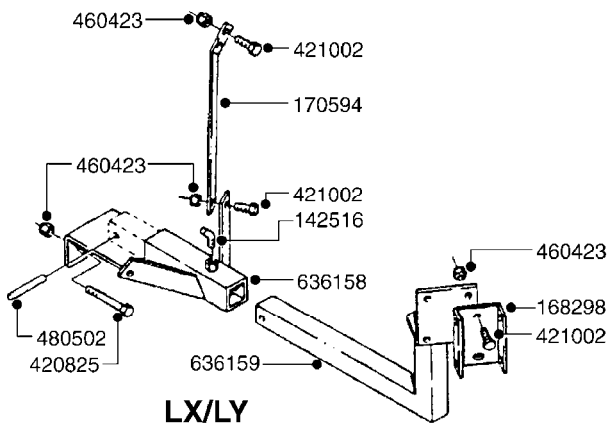
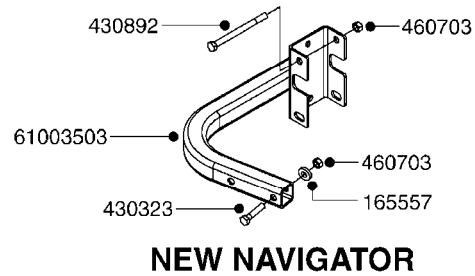
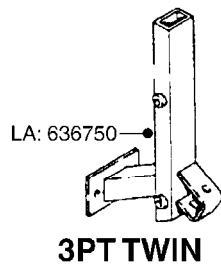
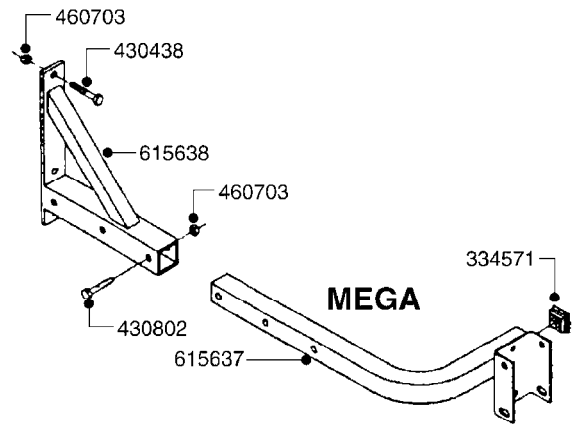
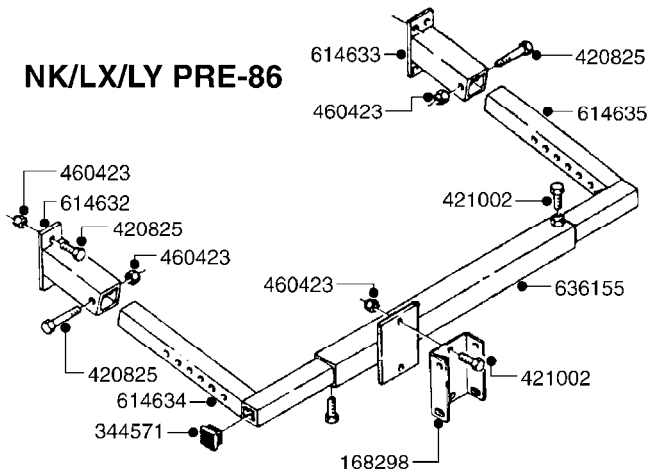
Page 1

Date 06.04.2015 10:37

| parts-n° | order qty | description                                                       |
|----------|-----------|-------------------------------------------------------------------|
| 420582   | 1         | BOLT HEX 8.8 DEL M8X20 FT A2                                      |
| 460143   | 1         | NUT HEX M8 LOCK A2 DIN985                                         |
| 10059803 | 1         | NUT HEX NF 1"                                                     |
| 10587803 | 1         | MAG MNT F. SPEED SNS 8 BOLT                                       |
| 10606703 | 1         | NUT HEX NF 5/8" FLANGED F.STUD                                    |
| 10629303 | 1         | PIN, COTTER 7/32" X 1.75" LONG                                    |
| 14000203 | 1         | SPINDLE 3" X 16" W/NUT &WASHER                                    |
| 16108403 | 1         | REINFORCEMENT RING 8-8-6 HUB<br>FOR NON-REINFORCED 3/8" RIMS ONLY |
| 21000003 | 1         | BEARING INNER CUP #382A                                           |
| 21000103 | 1         | BEARING OUTER CUP #LM501310                                       |
| 21000203 | 1         | BEARING INNER CONE #387AS                                         |
| 21000303 | 1         | BEARING OUTER CONE #LM501349                                      |
| 21000403 | 1         | SEAL GREASE #CR29968                                              |
| 28000303 | 1         | DUST CAP #1609                                                    |
| 28050103 | 1         | HUB F 3" 758 7500# PACKAGE                                        |
| 45000003 | 1         | STUD BOLT 5/8" X 2-1/2"                                           |
| 47000003 | 1         | WASHER SPNDL 3" 1.12X2.1 .25TK                                    |
| 61000503 | 1         | SPEED SNS MNT CLAMP - 3"                                          |
| 63000703 | 1         | AXLE INSERT W/M CM750                                             |



**NK/LX/LY PRE-86**



**TRAILER  
G050**

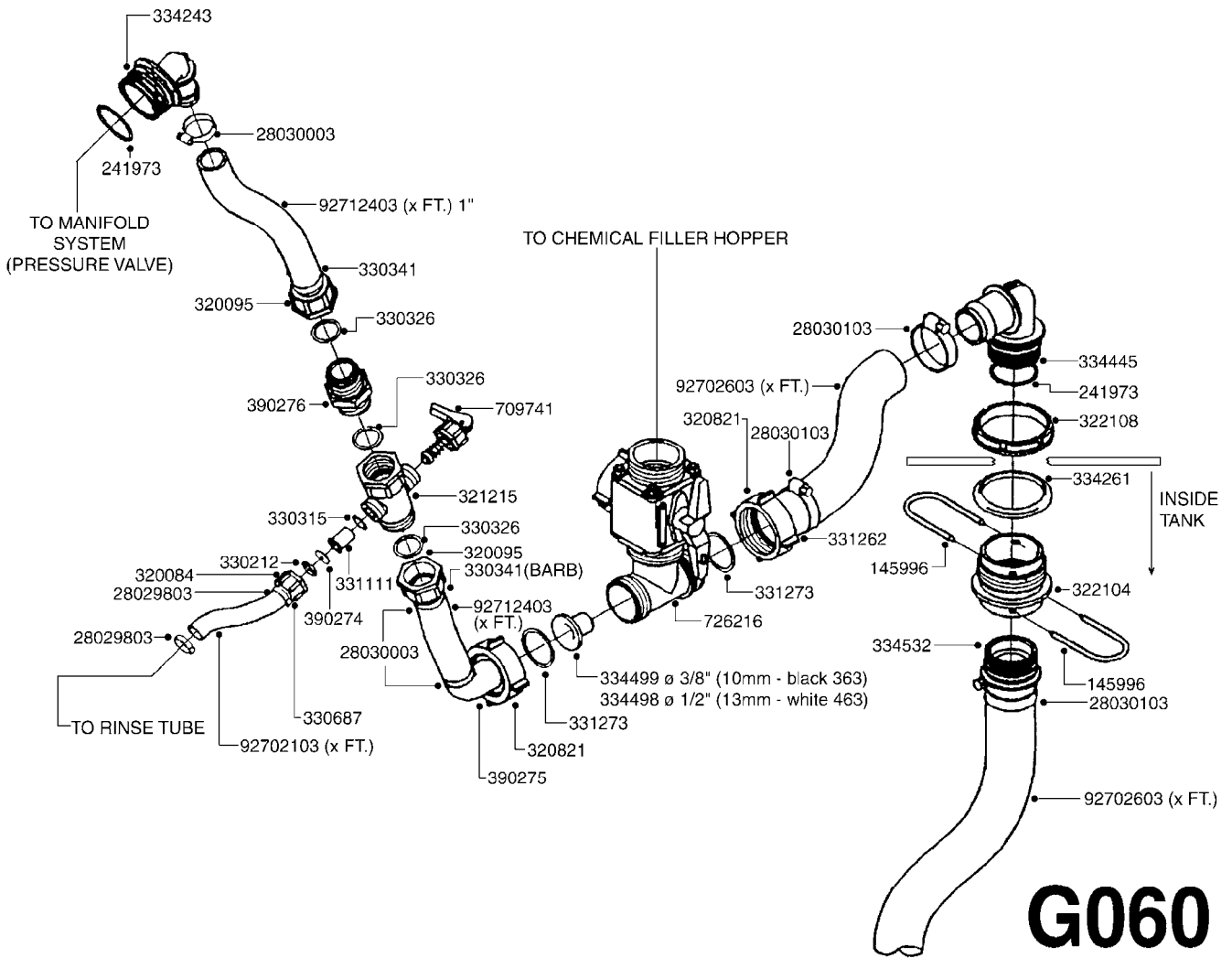
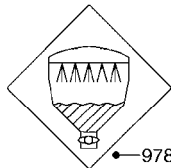


CHEM.FILLER-MOUNTING BRACKETS  
G050-HIN, 06:10:10

Page 1

Date 06.04.2015 10:37

| parts-n° | order qty | description                       |
|----------|-----------|-----------------------------------|
| 142516   | 1         | SCREW SET M10 BENT F. LOCKING     |
| 165557   | 1         | WASHER D28.0/D12.2X2.0 SS         |
| 168298   | 1         | INTERM BRACKET                    |
| 170594   | 1         | 170594                            |
| 194075   | 1         | MOUNT ARM F.CHEM.FILL BRACKET     |
| 220820   | 1         | SPRING D20.5/2.0 0-50MM           |
| 281897   | 1         | COVER PLUG                        |
| 334571   | 1         | TAPON 40x40x2 EMBELLECEDOR        |
| 420825   | 1         | BOLT HEX 8.8 DEL M10X65           |
| 421002   | 1         | BOLT HEX 8.8 DEL M10X30 FT DIN933 |
| 430323   | 1         | BOLT HEX 8.8 DEL M12X60           |
| 430438   | 1         | BOLT HEX 8.8 DEL M12X65           |
| 430721   | 1         | BOLT HEX 8.8 DEL M12X40 FT        |
| 430802   | 1         | BOLT HEX 8.8 DEL M12X75           |
| 430892   | 1         | BOLT HEX 8.8 DEL M12X110          |
| 460423   | 1         | NUT HEX M10X1.5 LOCK              |
| 460703   | 1         | NUT HEX M12X1.75 LOCK DIN985      |
| 471128   | 1         | WASHER D30/D17X3                  |
| 480384   | 1         | PIN COTTER 3/16 x 1-1/2"          |
| 480502   | 1         | PIN RETAINING M10X50 DIN 1481     |
| 614631   | 1         | FOOT PEDAL FOR FILLER             |
| 614632   | 1         | SOCKET FOR SUSPENSION LEFT        |
| 614633   | 1         | SOCKET FOR SUSPENSION RIGHT       |
| 614634   | 1         | MOUNT BRACKET F.ACCESS. RIGHT     |
| 614635   | 1         | MOUNT BRACKET F. ACCESS. LEFT     |
| 615276   | 1         | BRACKET F.CHEM.FILL MOUNT         |
| 615637   | 1         | MNT. BRKT. MEGA CHEM. FILLER      |
| 615638   | 1         | MOUNT BKT.F.CHEM FILLER MEGA      |
| 616048   | 1         | HOSE HOLDER                       |
| 636155   | 1         | CENTER-PCS. F.SUSPENSION          |
| 636158   | 1         | TELESCOPE HOLDER                  |
| 636159   | 1         | TELESCOPE PIPE F.HARDI FILLER     |
| 636750   | 1         | 636750                            |
| 637176   | 1         | CONSOLE F. CHEMFILL BRACKET       |



**G060**



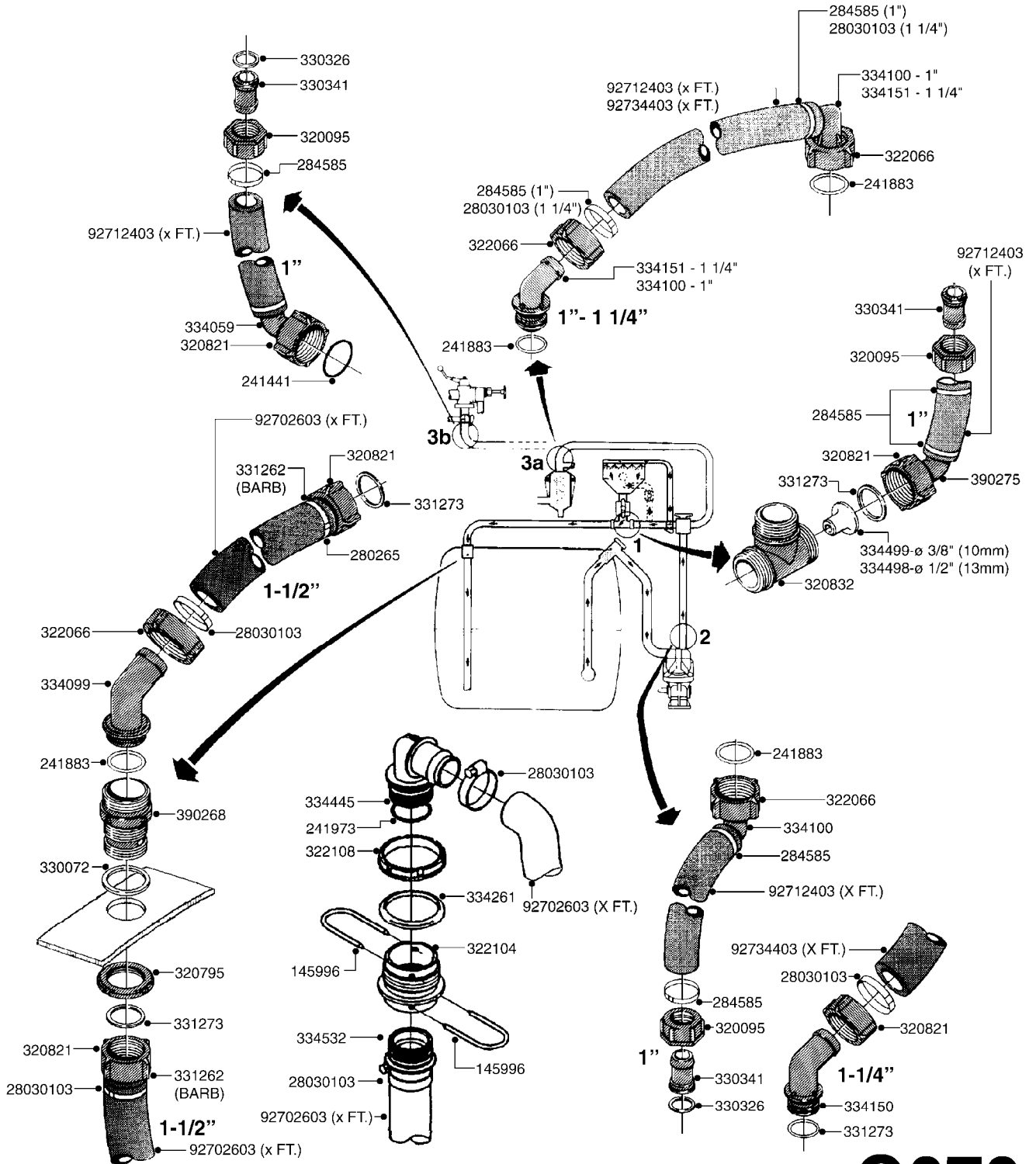
CHEM. FILLER-PLUMBING-MANIFOLD  
G060-HIN, 09:12:09

Page 1

Date 06.04.2015 10:38

| parts-n° | order qty | description                    |
|----------|-----------|--------------------------------|
| 145996   | 1         | FITT.DK S-67 FORK              |
| 241973   | 1         | O-RING 44.2 x 3.0 (use-242353) |
| 320084   | 1         | FITT.DK NUT 1/2" BSP           |
| 320095   | 1         | FITT.DK NUT 1" BSP             |
| 320821   | 1         | FITT.DK NUT 1-1/2" BSP         |
| 321215   | 1         | FITT.DK HOUSING F. AGITATION   |
| 322104   | 1         | FITT.DK S-67 BULKHEAD          |
| 322108   | 1         | FITT.DK S-67 BULKHEAD NUT      |
| 330212   | 1         | O-RING D19/D14X2.4 F.1/2"NUT   |
| 330315   | 1         | O-RING D18.4/D13X.6            |
| 330326   | 1         | O-RING D30/D24X2 F.1"NUT       |
| 330341   | 1         | FITT.DK HB 1" F. 1" NUT        |
| 330687   | 1         | FITT.DK HB 1/2" F. 1/2" NUT    |
| 331111   | 1         | VALVE SEAT FOR 1/2" DISTRIBUT. |
| 331262   | 1         | FITT.DK HB 1-1/2" F. 1-1/2"NUT |
| 331273   | 1         | O-RING D44/D38X2 F.1-1/2"      |
| 334243   | 1         | FITT.DK S-67 ELB.1"            |
| 334261   | 1         | GASKET F. S-67 BULKHEAD        |
| 334445   | 1         | FITT.DK S-67 ELB.1-1/2"        |
| 334498   | 1         | NOZZLE INJECTOR 13MM/462 WHITE |
| 334499   | 1         | NOZZLE INJECTOR 10MM/361 BLACK |
| 334532   | 1         | FITT.DK S-67 STR.1-1/2' W/HOLE |
| 390274   | 1         | ORIFICE ID4.0/18/1.5           |
| 390275   | 1         | FITT.DK ELB 1' SPECIAL F.CHEMF |
| 390276   | 1         | FITT.DK HN 1'BSP               |
| 709741   | 1         | VALVE ASSY. 1/2" FLIP LEVER    |
| 726216   | 1         | VALVE TWO WAY                  |
| 978336   | 1         | DECAL MANIFOLD SYS.CHEM.FILL   |
| 28029803 | 1         | CLAMP HOSE GEAR P1/2" 6708     |
| 28030003 | 1         | CLAMP HOSE GEAR P1" 6716       |
| 28030103 | 1         | CLAMP HOSE GEAR P5/4-S1.5"6724 |
| 92702103 | 1         | HOSE R X1/2" X300PSI WP X0012" |
| 92702603 | 1         | HOSE PVC SUCT GRAY 1-1/2"      |
| 92712403 | 1         | HOSE R X1" X300PSI WP X0012"   |

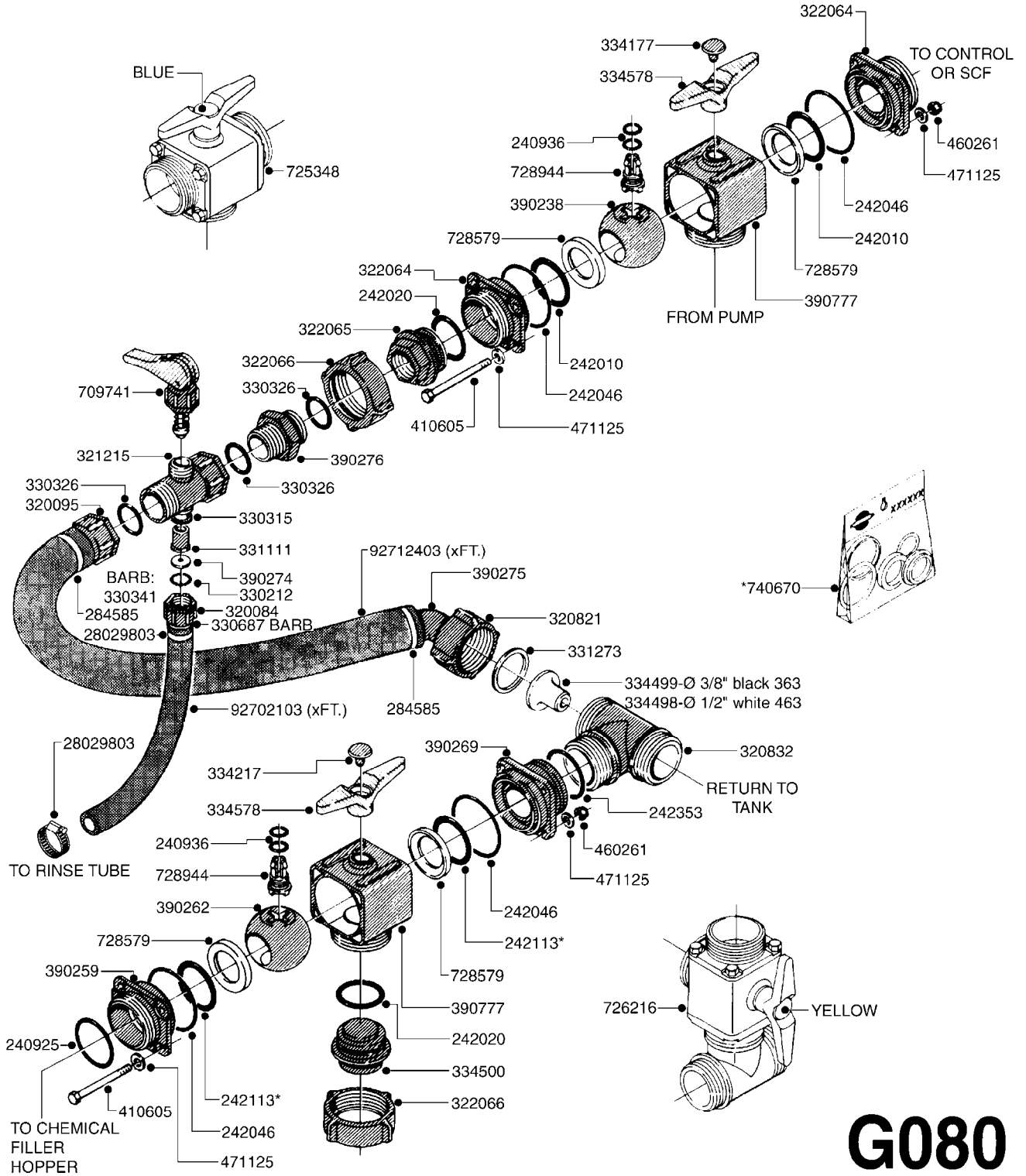




**G070**



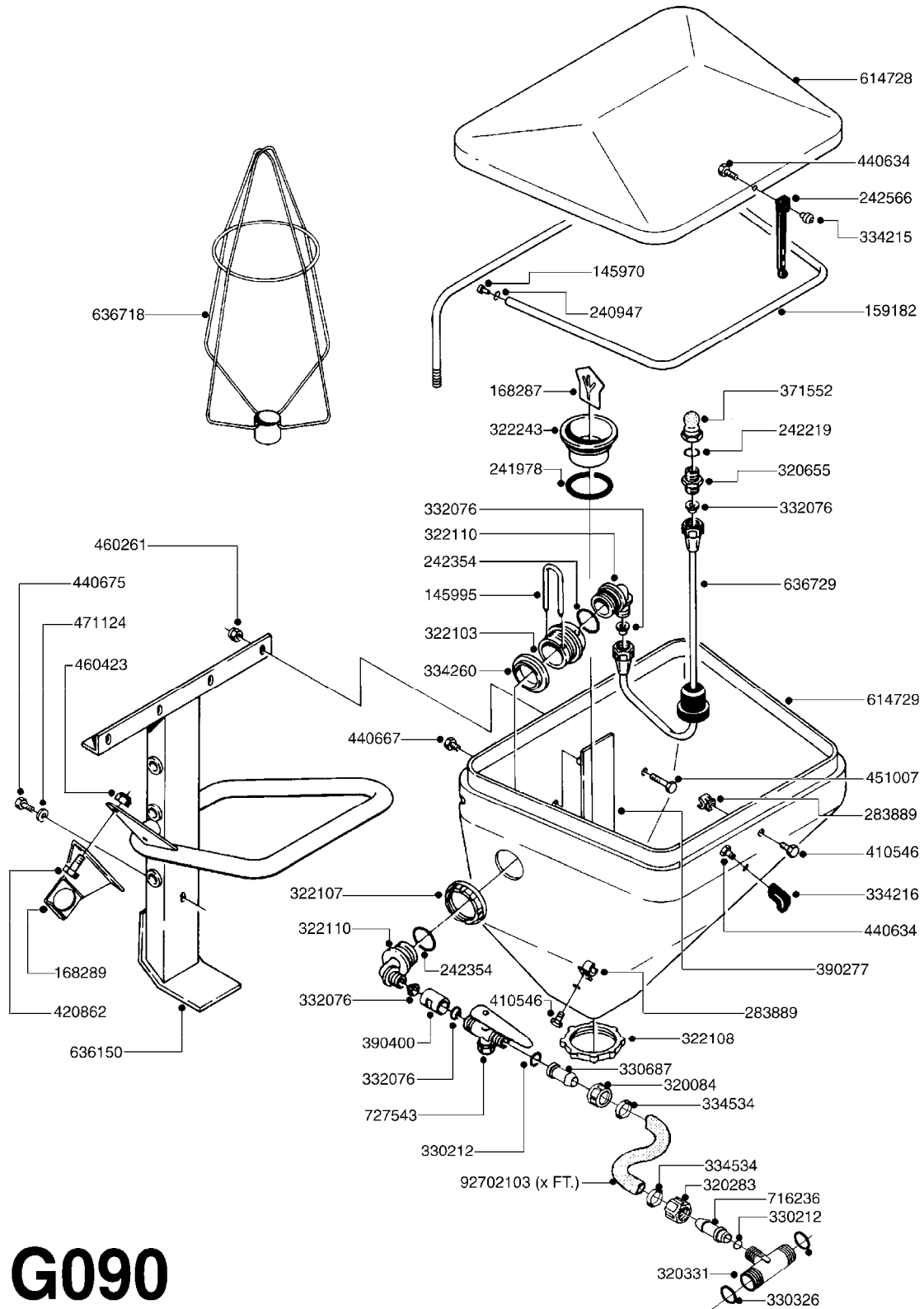
| parts-n° | order qty | description                    |
|----------|-----------|--------------------------------|
| 145996   | 1         | FITT.DK S-67 FORK              |
| 241441   | 1         | O-RING D29.3X3                 |
| 241883   | 1         | O-RING D39.2X3 NITRIL 242020   |
| 241973   | 1         | O-RING 44.2 x 3.0 (use-242353) |
| 280265   | 1         | CLMP HS GEAR1-1/2" alt28030103 |
| 284585   | 1         | CLAMP HOSE GEAR 1" MINI 020    |
| 320095   | 1         | FITT.DK NUT 1" BSP             |
| 320795   | 1         | FITT.DK NUT 1-1/2" BSP JAMB    |
| 320821   | 1         | FITT.DK NUT 1-1/2" BSP         |
| 320832   | 1         | FITT.DK TEE 1-1/2x1-1/2x1-1/2  |
| 322066   | 1         | FITT.DK S-56 NUT               |
| 322104   | 1         | FITT.DK S-67 BULKHEAD          |
| 322108   | 1         | FITT.DK S-67 BULKHEAD NUT      |
| 330072   | 1         | O-RING D53.5/D45.5X4           |
| 330326   | 1         | O-RING D30/D24X2 F.1"NUT       |
| 330341   | 1         | FITT.DK HB 1" F. 1" NUT        |
| 331262   | 1         | FITT.DK HB 1-1/2" F. 1-1/2"NUT |
| 331273   | 1         | O-RING D44/D38X2 F.1-1/2"      |
| 334059   | 1         | FITT.DK EL 1" 110 DEG.F.1-1/2" |
| 334099   | 1         | FITT.DK S-61 ELB.1-1/2"110 DEG |
| 334100   | 1         | FITT.DK S-61 ELB.1" 110 DEG.   |
| 334150   | 1         | FITT.DK HB 1-1/4" 110 F.1-1/2" |
| 334151   | 1         | FITT.DK S-61 ELB.1-1/4"110 DEG |
| 334261   | 1         | GASKET F. S-67 BULKHEAD        |
| 334445   | 1         | FITT.DK S-67 ELB.1-1/2"        |
| 334498   | 1         | NOZZLE INJECTOR 13MM/462 WHITE |
| 334499   | 1         | NOZZLE INJECTOR 10MM/361 BLACK |
| 334532   | 1         | FITT.DK S-67 STR.1-1/2' W/HOLE |
| 390268   | 1         | FITT.DK BULKHEAD 1-1/2' SPEC.  |
| 390275   | 1         | FITT.DK ELB 1' SPECIAL F.CHEMF |
| 28030103 | 1         | CLAMP HOSE GEAR P5/4-S1.5"6724 |
| 92702603 | 1         | HOSE PVC SUCT GRAY 1-1/2"      |
| 92712403 | 1         | HOSE R X1" X300PSI WP X0012"   |
| 92734403 | 1         | HOSE R X5/4" X200PSI WP X0012" |



**G080**



| parts-n° | order qty | description                    |
|----------|-----------|--------------------------------|
| 240925   | 1         | O-RING D49.5X3 NITRIL          |
| 240936   | 1         | O-RING D13.3X2.4 NITRIL        |
| 242010   | 1         | O-RING D37.47X5.33             |
| 242020   | 1         | O-RING 39.2 X 3 VITON          |
| 242046   | 1         | O-RING D60X2                   |
| 242113   | 1         | O-RING D37.5X5.3 VITON         |
| 242353   | 1         | O-RING D44.2X3.0 VITON F.S-67  |
| 284585   | 1         | CLAMP HOSE GEAR 1" MINI 020    |
| 320084   | 1         | FITT.DK NUT 1/2" BSP           |
| 320095   | 1         | FITT.DK NUT 1" BSP             |
| 320821   | 1         | FITT.DK NUT 1-1/2" BSP         |
| 320832   | 1         | FITT.DK TEE 1-1/2x1-1/2x1-1/2  |
| 321215   | 1         | FITT.DK HOUSING F. AGITATION   |
| 322064   | 1         | END COVER W.S56                |
| 322065   | 1         | FITT.DK UNION 1' BSP/S-56      |
| 322066   | 1         | FITT.DK S-56 NUT               |
| 330212   | 1         | O-RING D19/D14X2.4 F.1/2"NUT   |
| 330315   | 1         | O-RING D18.4/D13X.6            |
| 330326   | 1         | O-RING D30/D24X2 F.1"NUT       |
| 330341   | 1         | FITT.DK HB 1" F. 1" NUT        |
| 330687   | 1         | FITT.DK HB 1/2" F. 1/2" NUT    |
| 331111   | 1         | VALVE SEAT FOR 1/2" DISTRIBUT. |
| 331273   | 1         | O-RING D44/D38X2 F.1-1/2"      |
| 334177   | 1         | VALVE INDICATOR BLUE           |
| 334217   | 1         | VALVE INDICATOR YELLOW         |
| 334498   | 1         | NOZZLE INJECTOR 13MM/462 WHITE |
| 334499   | 1         | NOZZLE INJECTOR 10MM/361 BLACK |
| 334500   | 1         | FITT.DK S-56 PLUG W/ 4.2Ø Hole |
| 334578   | 1         | HANDLE FOR VALVE 'OLD' STYLE   |
| 390238   | 1         | BALL F. 3 WAY PRESSURE VALVE   |
| 390259   | 1         | END COVER S56 F.3 WAY VALVE    |
| 390262   | 1         | BALL F. 2 WAY VALVE            |
| 390269   | 1         | END COVER S56 1-1/2"F.3WAY VLV |
| 390274   | 1         | ORIFICE ID4.0/18/1.5           |
| 390275   | 1         | FITT.DK ELB 1' SPECIAL F.CHEMF |
| 390276   | 1         | FITT.DK HN 1'BSP               |
| 390777   | 1         | HOUSING F.BALL VALVE 3 WAY     |
| 410605   | 1         | BOLT HEX 8.8 DEL M6X80         |
| 460261   | 1         | NUT HEX M6X1 LOCK A2 DIN985    |
| 471125   | 1         | WASHER M6U D12/D6.4x1.6 SS A2  |
| 709741   | 1         | VALVE ASSY. 1/2" FLIP LEVER    |
| 725348   | 1         | VALVE 3 WAY BLUE               |
| 726216   | 1         | VALVE TWO WAY                  |
| 728579   | 1         | SEAL F BALL                    |
| 728944   | 1         | VALVE STEM & COLOURED CAPS     |
| 740670   | 1         | SEAL KIT F. BALL VALVE VITON   |
| 28029803 | 1         | CLAMP HOSE GEAR P1/2" 6708     |
| 92702103 | 1         | HOSE R X1/2" X300PSI WP X0012" |
| 92712403 | 1         | HOSE R X1" X300PSI WP X0012"   |



**G090**

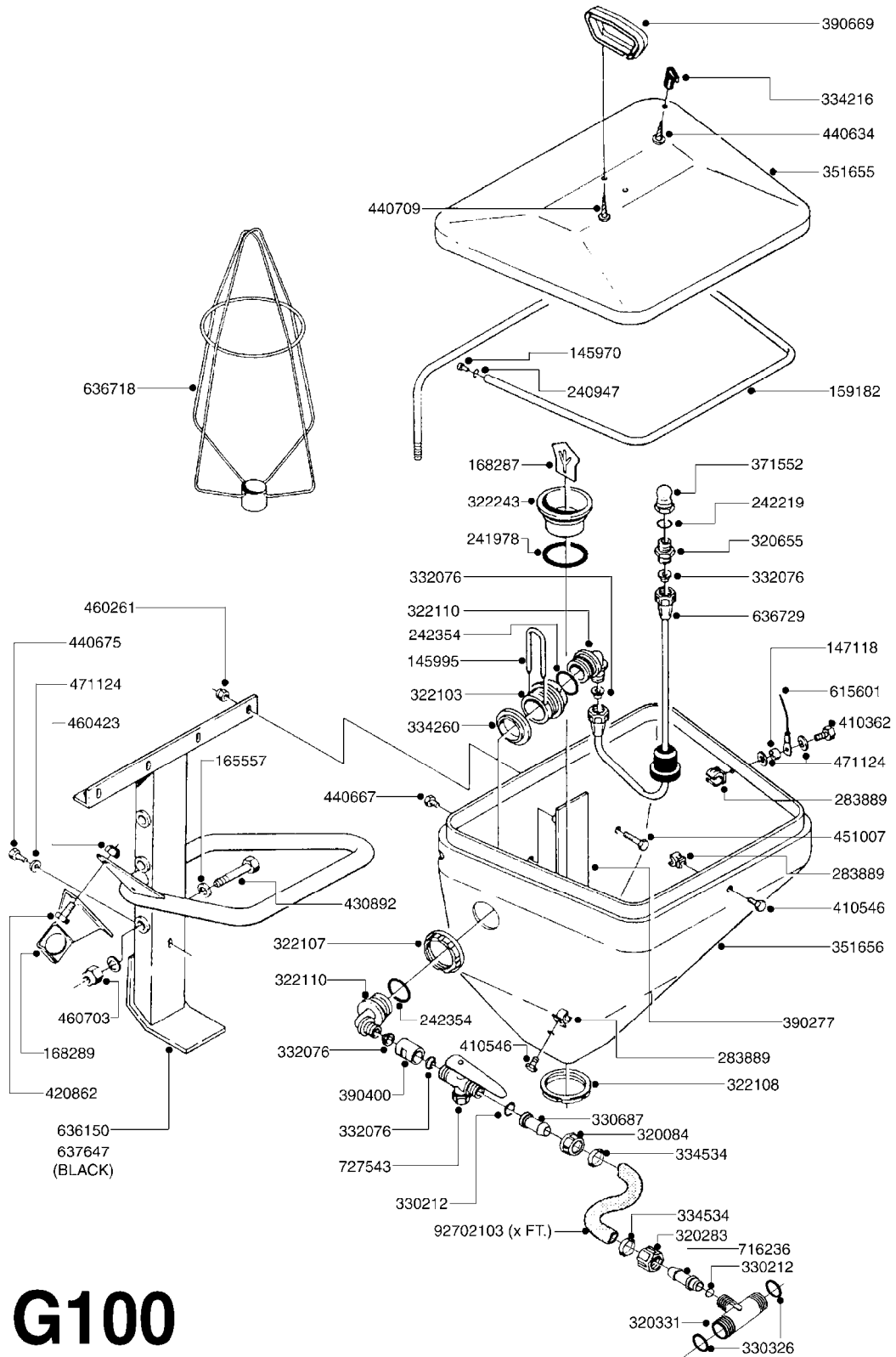


CHEMICAL FILLER-HOPPER (PRE95)  
G090-HIN, 19:05:11

Page 1

Date 06.04.2015 10:38

| parts-n° | order qty | description                    |
|----------|-----------|--------------------------------|
| 145970   | 1         | PLUG MF 11 X 1                 |
| 145995   | 1         | FITT.DK S-53 FORK              |
| 159182   | 1         | RINSING TUBE CHEM.FILL         |
| 168287   | 1         | PLATE ANTI-VORTEX F.CHEM FILL  |
| 168289   | 1         | BRACKET F. 3-WAY VALVE         |
| 240947   | 1         | O-RING D7.3X2.4 NITRIL         |
| 241978   | 1         | O-RING 64.5X3.0                |
| 242219   | 1         | O-RING D16.3X2.4 VITON         |
| 242354   | 1         | O-RING D32.2X3.0 VITON F.S-53  |
| 242566   | 1         | LATCH STRAP F. CHEM.FILL       |
| 283889   | 1         | CLIP F.TUBE SUPPORT            |
| 320084   | 1         | FITT.DK NUT 1/2" BSP           |
| 320283   | 1         | FITT.DK NUT 3/4"BSP            |
| 320331   | 1         | FITT.DK TEE 1" - 1" - 3/4" BSP |
| 320655   | 1         | FITT.DK HN 1/2"-1/2" BSP       |
| 322103   | 1         | FITT.DK S-53 BULKHEAD          |
| 322107   | 1         | FITT.DK S-53 BULKHEAD NUT      |
| 322108   | 1         | FITT.DK S-67 BULKHEAD NUT      |
| 322110   | 1         | FITT.DK S-53 ELB. 1/2" BSP     |
| 322243   | 1         | DRAIN PIPE/CHEM FIL.S67/S56    |
| 330212   | 1         | O-RING D19/D14X2.4 F.1/2"NUT   |
| 330326   | 1         | O-RING D30/D24X2 F.1"NUT       |
| 330687   | 1         | FITT.DK HB 1/2" F. 1/2" NUT    |
| 332076   | 1         | CONE INSERT F. ALUMINUM LANCE  |
| 334215   | 1         | RUBBER                         |
| 334216   | 1         | RUBBER LATCH FOR CHEM.FILL     |
| 334260   | 1         | GASKET F. S-53 BULKHEAD        |
| 334534   | 1         | CLAMP HOSE PLASTIC 1/2"        |
| 371552   | 1         | NOZZLE F.RINSING               |
| 390277   | 1         | SCALE PLATE FOR HARDI FILLER   |
| 390400   | 1         | FITT.DK BULKHEAD 1/2'X1/2'     |
| 410546   | 1         | BOLT HEX SS M6X12 FT           |
| 420862   | 1         | BOLT HEX 8.8 DEL M10X16 FT     |
| 440634   | 1         | SCREW 5/8"                     |
| 440667   | 1         | SCREW M3.5X12 SLOT STAINLESS   |
| 440675   | 1         | SCREW F. PLASTIC 5X16 SS       |
| 451007   | 1         | SCREW M6X20 STAINLESS          |
| 460261   | 1         | NUT HEX M6X1 LOCK A2 DIN985    |
| 460423   | 1         | NUT HEX M10X1.5 LOCK           |
| 471124   | 1         | WASHER D18/D6.4x1.6            |
| 614728   | 1         | LID FOR CHEM FILLER            |
| 614729   | 1         | TANK HARDI FILLER              |
| 636150   | 1         | FRAME FOR CHEM FILL TANK       |
| 636718   | 1         | RINSE SUPPORT CHEM.FILL 25/35L |
| 636729   | 1         | TUBE F. RINSE CHEM FILL        |
| 716236   | 1         | FITT.DK HB 1/2" ASSY. F. 3/4"  |
| 727543   | 1         | VALVE F.CHEM FILL JUG RINSE    |
| 92702103 | 1         | HOSE R X1/2" X300PSI WP X0012" |



**G100**



CHEMICAL FILLER-HOPPER (POST95)  
G100-HIN, 19:05:11

Page

1

Date

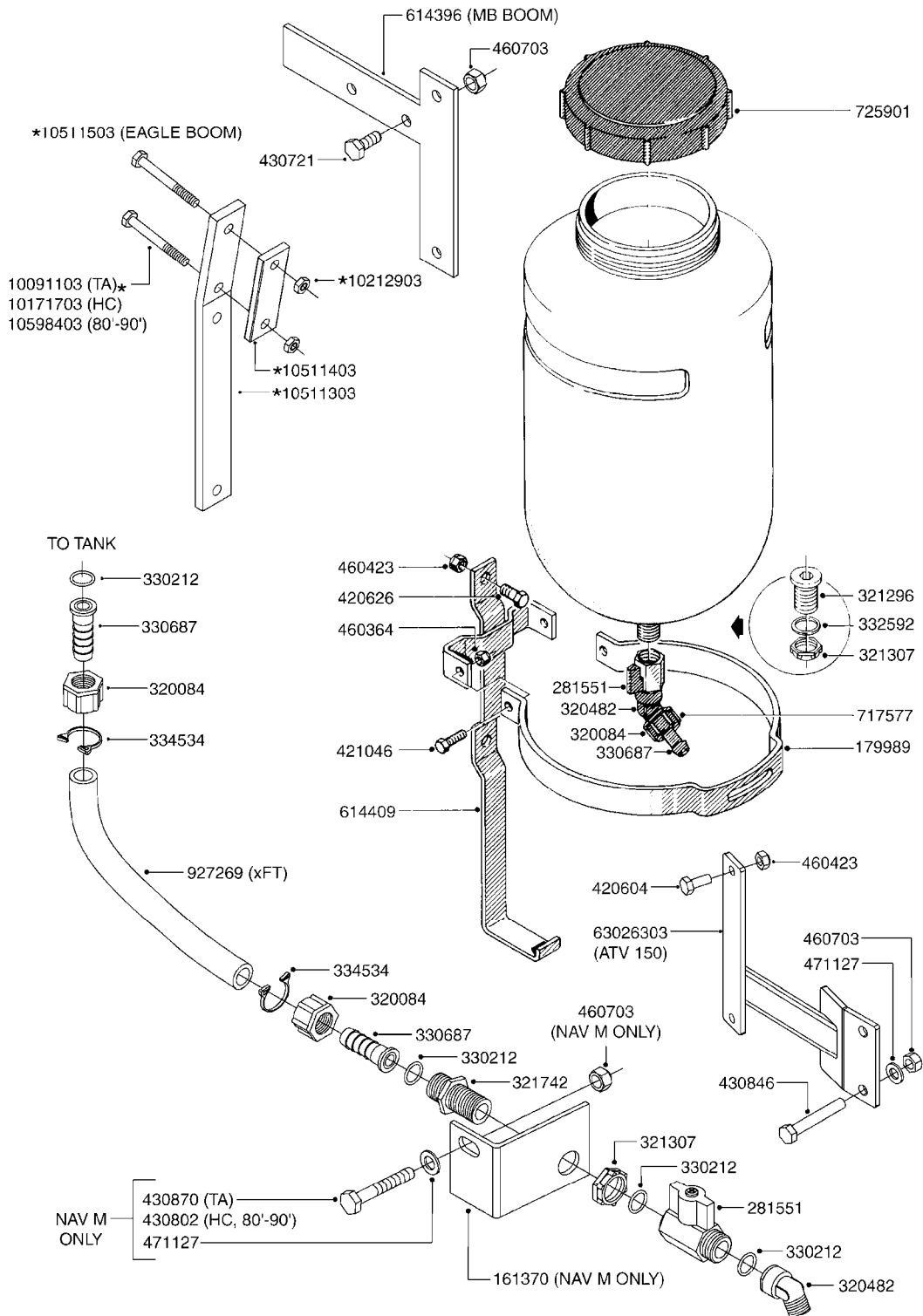
06.04.2015 10:38

| parts-n° | order qty | description                    |
|----------|-----------|--------------------------------|
| 145970   | 1         | PLUG MF 11 X 1                 |
| 145995   | 1         | FITT.DK S-53 FORK              |
| 147118   | 1         | BUSHING 10,0/6,2 L=5 CHEM FILL |
| 159182   | 1         | RINSING TUBE CHEM.FILL         |
| 165557   | 1         | WASHER D28.0/D12.2X2.0 SS      |
| 168287   | 1         | PLATE ANTI-VORTEX F.CHEM FILL  |
| 168289   | 1         | BRACKET F. 3-WAY VALVE         |
| 240947   | 1         | O-RING D7.3X2.4 NITRIL         |
| 241978   | 1         | O-RING 64.5X3.0                |
| 242219   | 1         | O-RING D16.3X2.4 VITON         |
| 242354   | 1         | O-RING D32.2X3.0 VITON F.S-53  |
| 283889   | 1         | CLIP F.TUBE SUPPORT            |
| 320084   | 1         | FITT.DK NUT 1/2" BSP           |
| 320283   | 1         | FITT.DK NUT 3/4"BSP            |
| 320331   | 1         | FITT.DK TEE 1" - 1" - 3/4" BSP |
| 320655   | 1         | FITT.DK HN 1/2"-1/2" BSP       |
| 322103   | 1         | FITT.DK S-53 BULKHEAD          |
| 322107   | 1         | FITT.DK S-53 BULKHEAD NUT      |
| 322108   | 1         | FITT.DK S-67 BULKHEAD NUT      |
| 322110   | 1         | FITT.DK S-53 ELB. 1/2" BSP     |
| 322243   | 1         | DRAIN PIPE/CHEM FIL.S67/S56    |
| 330212   | 1         | O-RING D19/D14X2.4 F.1/2"NUT   |
| 330326   | 1         | O-RING D30/D24X2 F.1"NUT       |
| 330687   | 1         | FITT.DK HB 1/2" F. 1/2" NUT    |
| 332076   | 1         | CONE INSERT F. ALUMINUM LANCE  |
| 334216   | 1         | RUBBER LATCH FOR CHEM.FILL     |
| 334260   | 1         | GASKET F. S-53 BULKHEAD        |
| 334534   | 1         | CLAMP HOSE PLASTIC 1/2"        |
| 351655   | 1         | LID CHEM FILL.25L POST 95      |
| 351656   | 1         | HOPPER F.CHEM FILL 25L POST'96 |
| 371552   | 1         | NOZZLE F.RINSING               |
| 390277   | 1         | SCALE PLATE FOR HARDI FILLER   |
| 390400   | 1         | FITT.DK BULKHEAD 1/2'X1/2'     |
| 390669   | 1         | HANDLE F.CHEM FILLER           |
| 410362   | 1         | BOLT HEX 8.8 SS M6X20 FT       |
| 410546   | 1         | BOLT HEX SS M6X12 FT           |
| 420862   | 1         | BOLT HEX 8.8 DEL M10X16 FT     |
| 430892   | 1         | BOLT HEX 8.8 DEL M12X110       |
| 440634   | 1         | SCREW 5/8"                     |
| 440667   | 1         | SCREW M3.5X12 SLOT STAINLESS   |
| 440675   | 1         | SCREW F. PLASTIC 5X16 SS       |
| 440709   | 1         | SCREW 60X12 CHEM.FILL HANDLE   |
| 451007   | 1         | SCREW M6X20 STAINLESS          |
| 460261   | 1         | NUT HEX M6X1 LOCK A2 DIN985    |
| 460423   | 1         | NUT HEX M10X1.5 LOCK           |
| 460703   | 1         | NUT HEX M12X1.75 LOCK DIN985   |
| 471124   | 1         | WASHER D18/D6.4x1.6            |
| 615601   | 1         | BUNGEE CORD 21-1/4"            |
| 636150   | 1         | FRAME FOR CHEM FILL TANK       |
| 636718   | 1         | RINSE SUPPORT CHEM.FILL 25/35L |
| 636729   | 1         | TUBE F. RINSE CHEM FILL        |
| 637647   | 1         | BRACKET F.CHEMFILL             |
| 716236   | 1         | FITT.DK HB 1/2" ASSY. F. 3/4"  |
| 727543   | 1         | VALVE F.CHEM FILL JUG RINSE    |
| 92702103 | 1         | HOSE R X1/2" X300PSI WP X0012" |





CLEAN WATER TANK  
G110-HIN, 26:06:06



COMPLETE TANK ASSY : 722072

**G110**

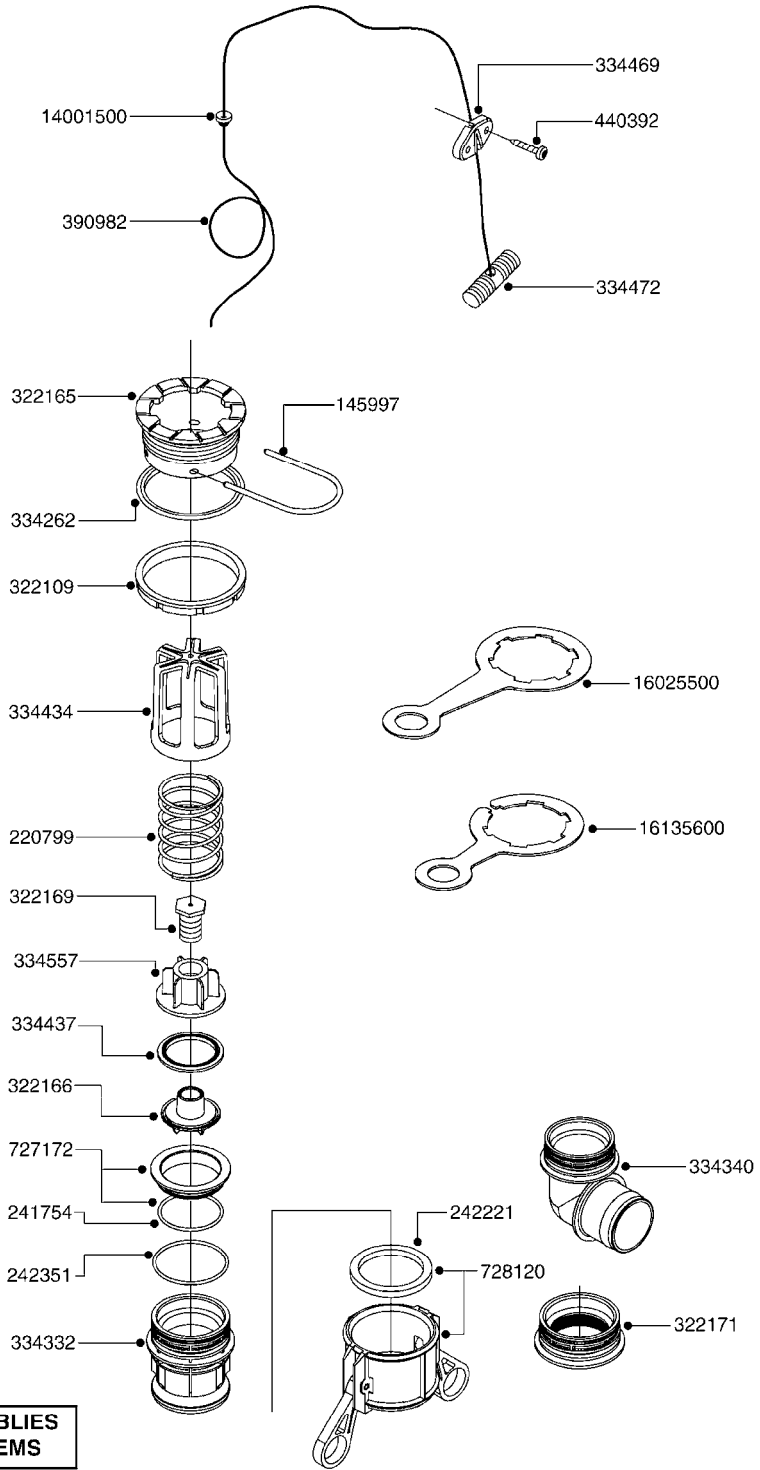


CLEAN WATER TANK  
G110-HIN, 26:06:06

Page 1

Date 06.04.2015 10:38

| parts-n° | order qty | description                         |
|----------|-----------|-------------------------------------|
| 161370   | 1         | BKT.CLEAN WATER BOTT. VALVE         |
| 179989   | 1         | BRKT. F. 3 GAL. TANK                |
| 281551   | 1         | BALL VALVE 1/2"                     |
| 320084   | 1         | FITT.DK NUT 1/2" BSP                |
| 320482   | 1         | FITT.DK ELB. 1/2" BSP 60 DEG.       |
| 321296   | 1         | FITT.DK BULKHEAD 1/2" BSP SING      |
| 321307   | 1         | FITT.DK NUT 1/2" BSP JAMB           |
| 321742   | 1         | FITT.DK BULKHEAD 1/2' BSP           |
| 330212   | 1         | O-RING D19/D14X2.4 F.1/2"NUT        |
| 330687   | 1         | FITT.DK HB 1/2" F. 1/2" NUT         |
| 332592   | 1         | O-RING D26/D20X3                    |
| 334534   | 1         | CLAMP HOSE PLASTIC 1/2"             |
| 420604   | 1         | BOLT HEX 8.8 DEL M10X25 FT DIN933   |
| 420626   | 1         | BOLT HEX 8.8 DEL M10X20 FT          |
| 421046   | 1         | BOLT HEX 8.8 DEL M8X25 FT A2 DIN933 |
| 430721   | 1         | BOLT HEX 8.8 DEL M12X40 FT          |
| 430802   | 1         | BOLT HEX 8.8 DEL M12X75             |
| 430846   | 1         | BOLT HEX 8.8 DEL M12X80             |
| 430870   | 1         | BOLT HEX 8.8 DEL M12X55 FT          |
| 460364   | 1         | NUT HEX M8 GALV.                    |
| 460423   | 1         | NUT HEX M10X1.5 LOCK                |
| 460703   | 1         | NUT HEX M12X1.75 LOCK DIN985        |
| 471127   | 1         | WASHER D24/D13X2.5 STAINLESS        |
| 614396   | 1         | CLEAN WATER BRACKET MB              |
| 614409   | 1         | BRACKET FOR FOAM MARKER             |
| 717577   | 1         | VALVE F.CLEAN WATER TANK            |
| 722072   | 1         | CLEAN WATER TANK W FRAME & TAP      |
| 725901   | 1         | LID F.WATER BOTTLE VENTED           |
| 927269   | 1         | HOSE R X PVC X 1/2 X 0012"          |
| 10091103 | 1         | BOLT HEX 3/8 NC GR.2 03.00'         |
| 10171703 | 1         | BOLT HEX 3/8 NC GR.2 03.50"         |
| 10212903 | 1         | NUT HEX NC (NYLON LOCK) 3/8"        |
| 10511303 | 1         | FLATBAR L350/17DEG.CLEAN WATER      |
| 10511403 | 1         | FLATBAR 104MM CLEAN WATER           |
| 10511503 | 1         | BKT.CLEAN WATER MOUNT EAGLE         |
| 10598403 | 1         | BOLT HEX HCS3/8-16 X 4 Z 5          |
| 63026303 | 1         | CLEAN WATER TANK BRKT, ATV          |



COMPLETE ASSEMBLIES  
WHOLEGOODS ITEMS

727617 - COMPLETE ASSEMBLY (2" BSP THREADED FITTING & 126" CORD)  
727742 - COMPLETE ASSEMBLY (2-1/2" ELBOW & 157.5" CORD)

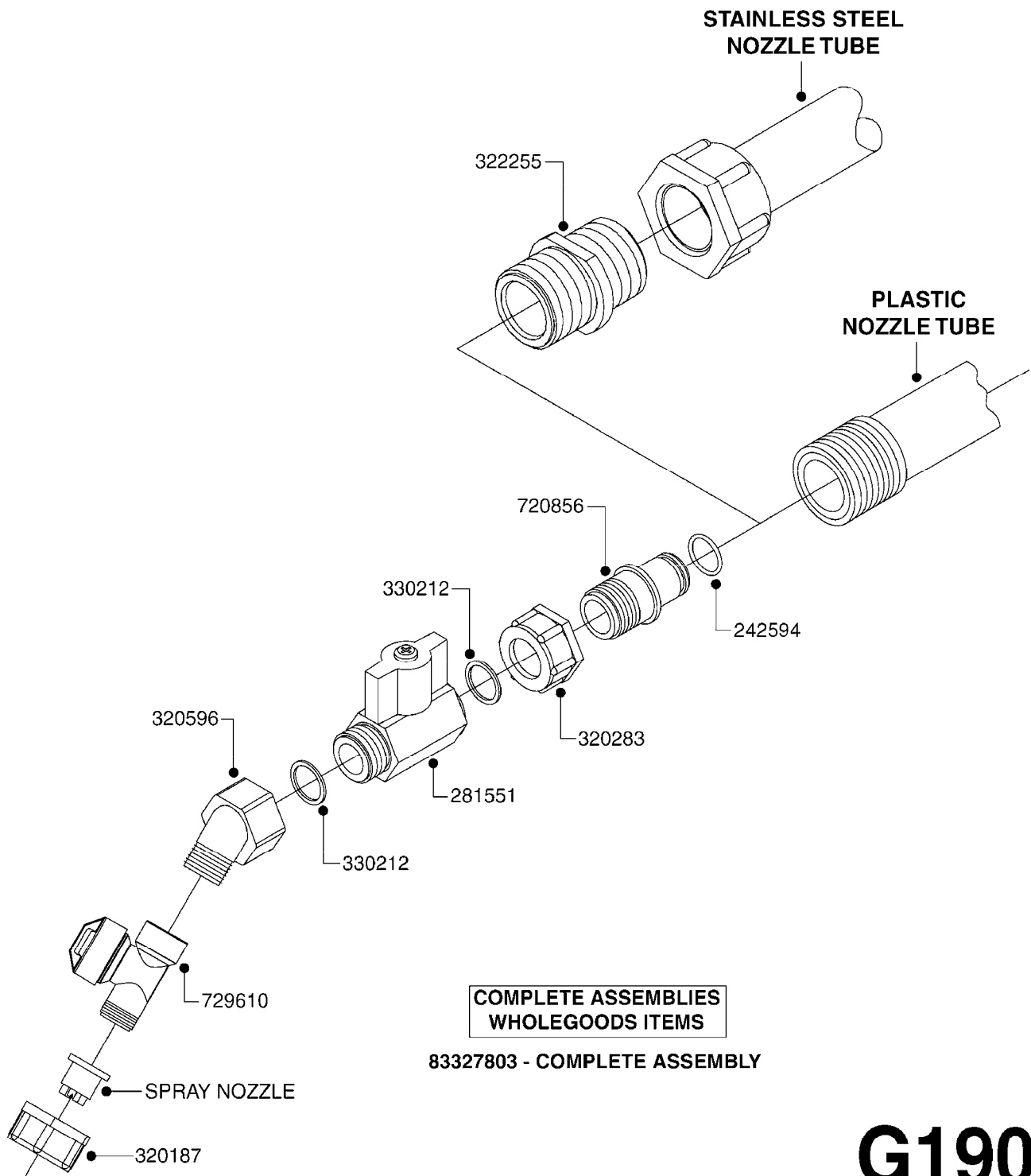
# G120



DRAIN ASSEMBLY-PULL CORD TYPE  
G120-HIN, 05:04:12

Page 1  
Date 06.04.2015 10:38

| parts-n° | order qty | description                    |
|----------|-----------|--------------------------------|
| 145997   | 1         | FITT.DK S-93 FORK              |
| 220799   | 1         | SPRING F.TOP DRAIN             |
| 241754   | 1         | O-RING D59.5X3                 |
| 242221   | 1         | GASKET F. S-93 QUICK COUPLERS  |
| 242351   | 1         | O-RING D69.5X3.0 VITON F.S-93  |
| 322109   | 1         | FITT.DK S-93 BULKHEAD NUT      |
| 322165   | 1         | FITT.DK S-93 BULKHEAD SINGLE   |
| 322166   | 1         | VALVE FLAP LOWER PART          |
| 322169   | 1         | CORD PLUG F.TOP DRAIN          |
| 322171   | 1         | FITT.DK S-93 THREAD INS.2"BSP  |
| 334262   | 1         | GASKET F.S-93 BULKHEAD         |
| 334332   | 1         | FITT.DK S-93 MALE QUICK COUP.  |
| 334340   | 1         | FITT.DK S-93 ELBOW 2.5"        |
| 334434   | 1         | CAGE F.SPRING BOTTOM DRAIN ASY |
| 334437   | 1         | SEAL FOR VALVE FLAP            |
| 334469   | 1         | CLEVIS F.CORD TOP DRAIN ASSY.  |
| 334472   | 1         | HANDLE FOR TOP DRAIN           |
| 334557   | 1         | SPRING SEAT TOP DRAIN          |
| 390982   | 1         | CORD NYLON 4000MM              |
| 440392   | 1         | SCREW 6.3 X 25.0 DIN7981C TORX |
| 727172   | 1         | FITT.DK S-93 SEAT INSERT       |
| 727617   | 1         | FITT.DK S-93 BOTTOM VALVE 2'   |
| 727742   | 1         | TOP DRAIN CORD TYPE            |
| 728120   | 1         | QUICK COUPLER CAP F.S93 DRAIN  |
| 14001500 | 1         | GROMMET F.TOP DRAIN CORD       |
| 16025500 | 1         | TANK SPACER SIGHT GAUGE        |
| 16135600 | 1         | GUIDE FOR SIGHT GAUGE NAV/NCM  |



# G190

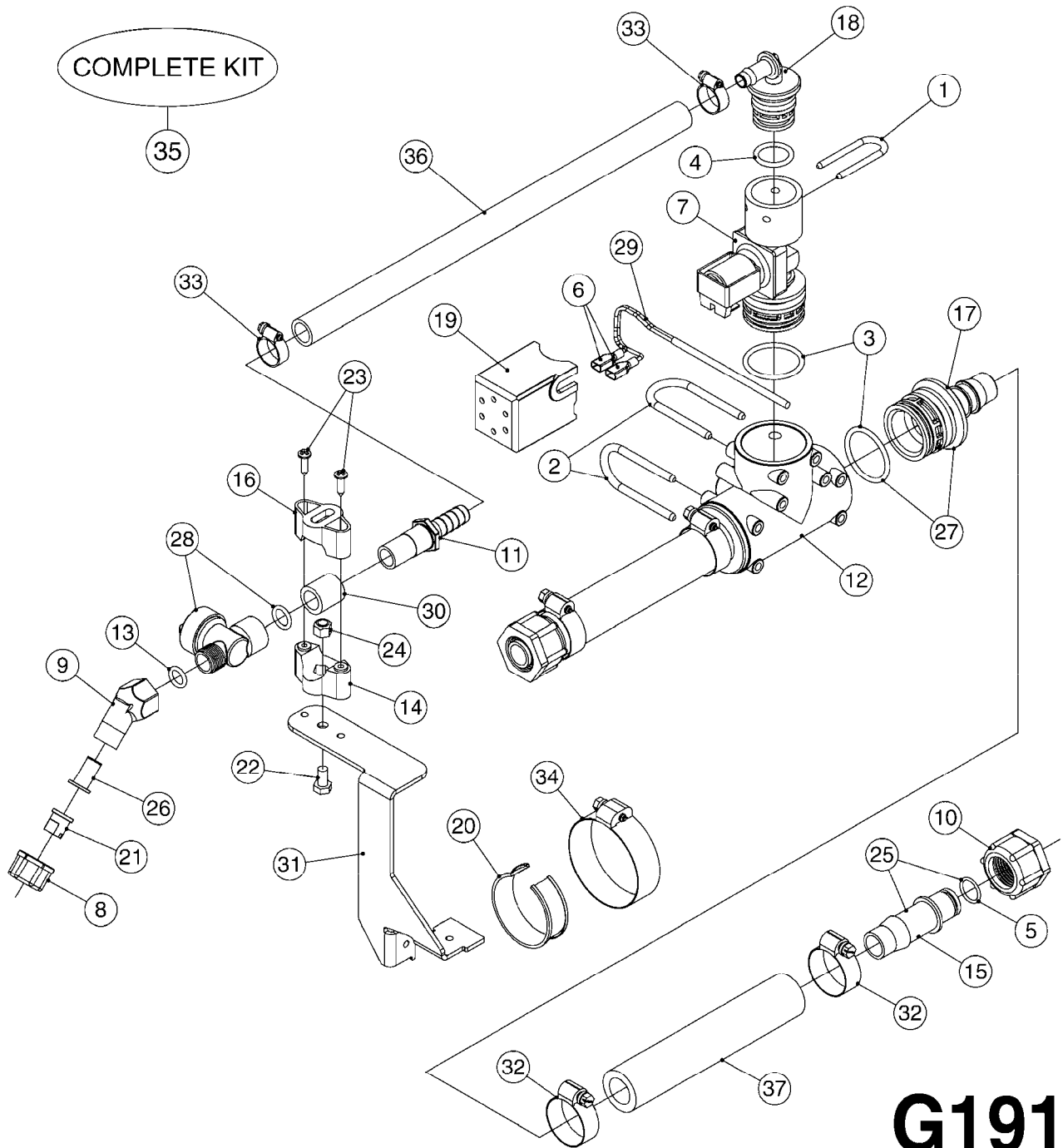


END NOZZLE KIT  
G190-HIN, 28:11:06

Page 1

Date 06.04.2015 10:38

| parts-n° | order qty | description                    |
|----------|-----------|--------------------------------|
| 242594   | 1         | O-RING D14 X 1.78 SCH.70-EPDM  |
| 281551   | 1         | BALL VALVE 1/2"                |
| 320187   | 1         | FITT.DK CAP 3/8" BSP BLACK     |
| 320283   | 1         | FITT.DK NUT 3/4"BSP            |
| 320596   | 1         | FITT.DK ELB 3/8'-1/2'BSP 45DEG |
| 322255   | 1         | FITT.DK NIPPLE 3/4"X 3/4"      |
| 330212   | 1         | O-RING D19/D14X2.4 F.1/2"NUT   |
| 720856   | 1         | FITT.DK 1/2'BSP ASSY.F.3/4'NUT |
| 729610   | 1         | NOZZLE ASSY. NON DRIP 3/8 THRD |
| 83327803 | 1         | END NOZZLE KIT "04"            |



**G191**



ELECTRIC END NOZZLE KIT '09  
G191-HIN, 09:05:13

Page 1

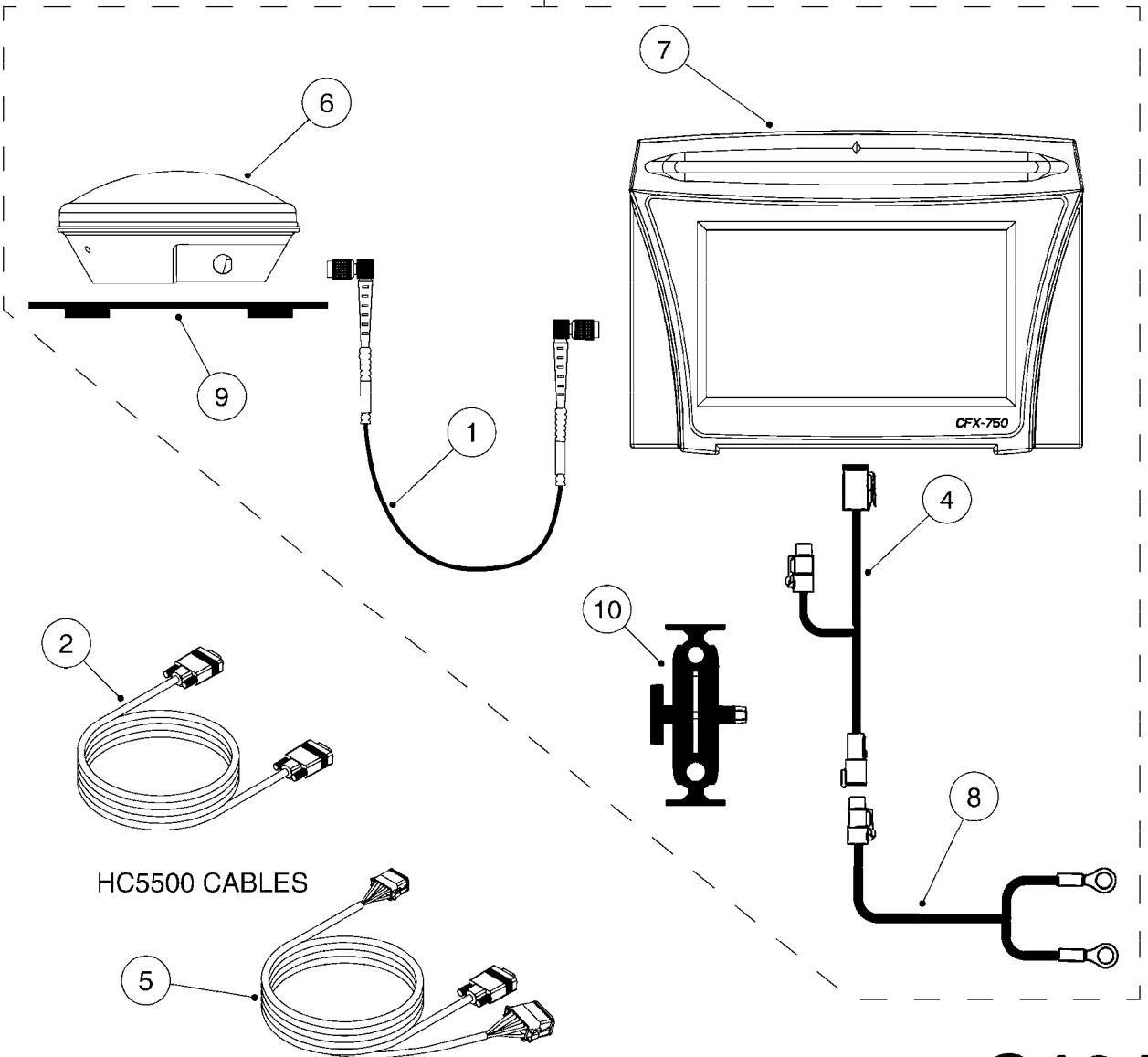
Date 06.04.2015 10:38

| Pos. | parts-n° | order qty | description                    |
|------|----------|-----------|--------------------------------|
| 1    | 145994   | 1         | FITT.DK S-40 FORK              |
| 2    | 145995   | 1         | FITT.DK S-53 FORK              |
| 3    | 242354   | 1         | O-RING D32.2X3.0 VITON F.S-53  |
| 4    | 242355   | 1         | O-RING D19.2X3.0 VITON F.S-40  |
| 5    | 242594   | 1         | O-RING D14 X 1.78 SCH.70-EPDM  |
| 6    | 261539   | 1         | SPADE F.ELEC CONNEX BLUE INSUL |
| 7    | 262104   | 1         | VALVE, SOLENOID, S53/S40       |
| 8    | 320187   | 1         | FITT.DK CAP 3/8" BSP BLACK     |
| 9    | 320191   | 1         | FITT.DK ELB 3/8' BSP 45 DEGREE |
| 10   | 320283   | 1         | FITT.DK NUT 3/4"BSP            |
| 11   | 320891   | 1         | FITT.DK HB 3/8'- 3/8' BSP      |
| 12   | 322352   | 1         | FITT.DK S-53 TEE               |
| 13   | 330013   | 1         | O-RING D15/D10X2.5 F.3/8"NUT   |
| 14   | 333012   | 1         | NOZZLE HOLD. UPPER PART        |
| 15   | 334044   | 1         | FITT.DK HB 3/4' F. 3/4' CAP    |
| 16   | 334220   | 1         | YOKE, UPPER NOZZLE BODY        |
| 17   | 334229   | 1         | FITT.DK S-53 STR.3/4"          |
| 18   | 334237   | 1         | FITT.DK S-40 ELB.3/8'          |
| 19   | 334965   | 1         | COVER FOR S53 SOLENOID VALVE   |
| 20   | 341291   | 1         | RUBBER HOSE CLAMP COVER 130MM  |
| 21   | 370392   | 1         | NOZZLE END FAN 1850-G 300      |
| 22   | 410546   | 1         | BOLT HEX SS M6X12 FT           |
| 23   | 440665   | 1         | SCREW M4.2X16 STAINLESS        |
| 24   | 460261   | 1         | NUT HEX M6X1 LOCK A2 DIN985    |
| 25   | 724621   | 1         | FITT.DK HB 3/4"ASSY F.3/4" NUT |
| 26   | 725042   | 1         | SCREEN 80 MESH W.GASKET, RED   |
| 27   | 726558   | 1         | FITT.DK S53 STR. 3/4" W.ORING  |
| 28   | 729610   | 1         | NOZZLE ASSY. NON DRIP 3/8 THRD |
| 29   | 983087   | 1         | ELEC. CABLE 2 WIRE X 0.75MM    |
| 30   | 10631003 | 1         | HOSE R X CLEAR BRAID.X 1/2 12" |
| 31   | 16110803 | 1         | NOZZLE BRACKET VAR SPACINGS    |
| 32   | 28029903 | 1         | CLAMP HOSE GEAR P3/4"-S1" 6712 |
| 33   | 28044903 | 1         | CLAMP HOSE GEAR P3/8" 6706     |
| 34   | 28047003 | 1         | CLAMP HOSE GEAR 30 X 50 6732   |
| 35   | 82613203 | 1         | ELECTRIC END NOZZLE KIT 2009   |
| 36   | 92701703 | 1         | HOSE R X3/8" X300PSI WP X0012" |
| 37   | 92703203 | 1         | HOSE R X3/4" X300PSI WP X0012" |





3 COMPLETE ASSEMBLY



**G194**

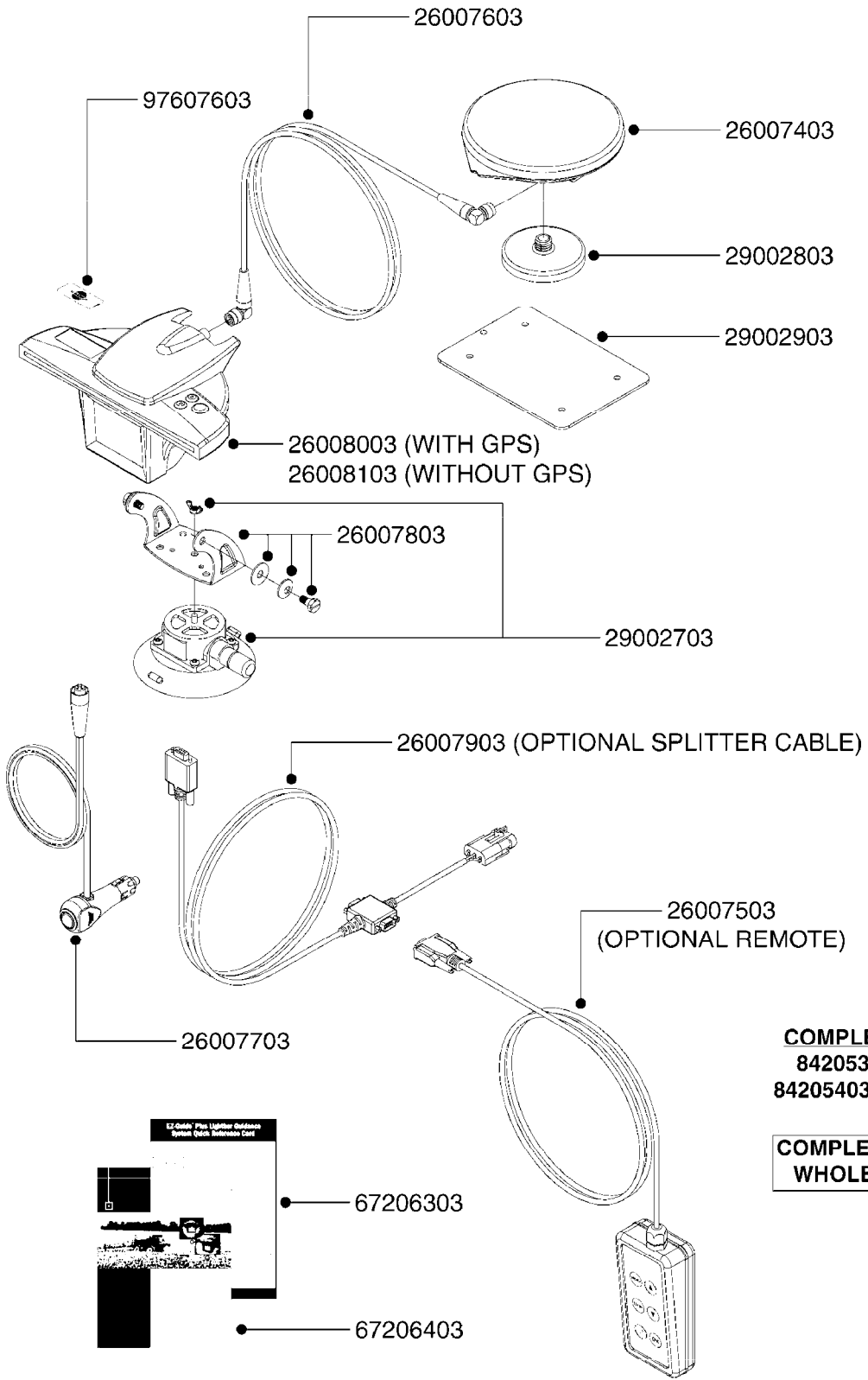


CFX-750 DISPLAY, DGPS  
G194-HIN, 22:05:14

Page 1

Date 06.04.2015 10:38

| Pos. | parts-n° | order qty | description                    |
|------|----------|-----------|--------------------------------|
| 1    | 26007603 | 1         | CABLE, ANTENNA, EZGUIDEPLUS    |
| 2    | 26012003 | 1         | NULL MODEM CABLE               |
| 3    | 26021403 | 1         | CFX-750 DISPLAY, DGPS          |
| 4    | 26021603 | 1         | CABLE, POWER BUS, CAN CFX-750  |
| 5    | 26021703 | 1         | CABLE, ASC INTERFACE, CFX-750  |
| 6    | 26021803 | 1         | AG-25 ANTENNA L1/L2 GLN        |
| 7    | 26022103 | 1         | CFX-750 DISPLAY ONLY           |
| 8    | 26022603 | 1         | CFX-750 Basic Power Cable      |
| 9    | 28048203 | 1         | EZ-GUIDE 500 MOUNT F.AG15 ANT. |
| 10   | 28048303 | 1         | EZ-GUIDE 250/500 RAM MNT.1.5"  |



**COMPLETE ASSEMBLY:**  
84205303 (WITH GPS)  
84205403 (WITHOUT GPS)

**COMPLETE ASSEMBLIES  
WHOLEGOODS ITEMS**

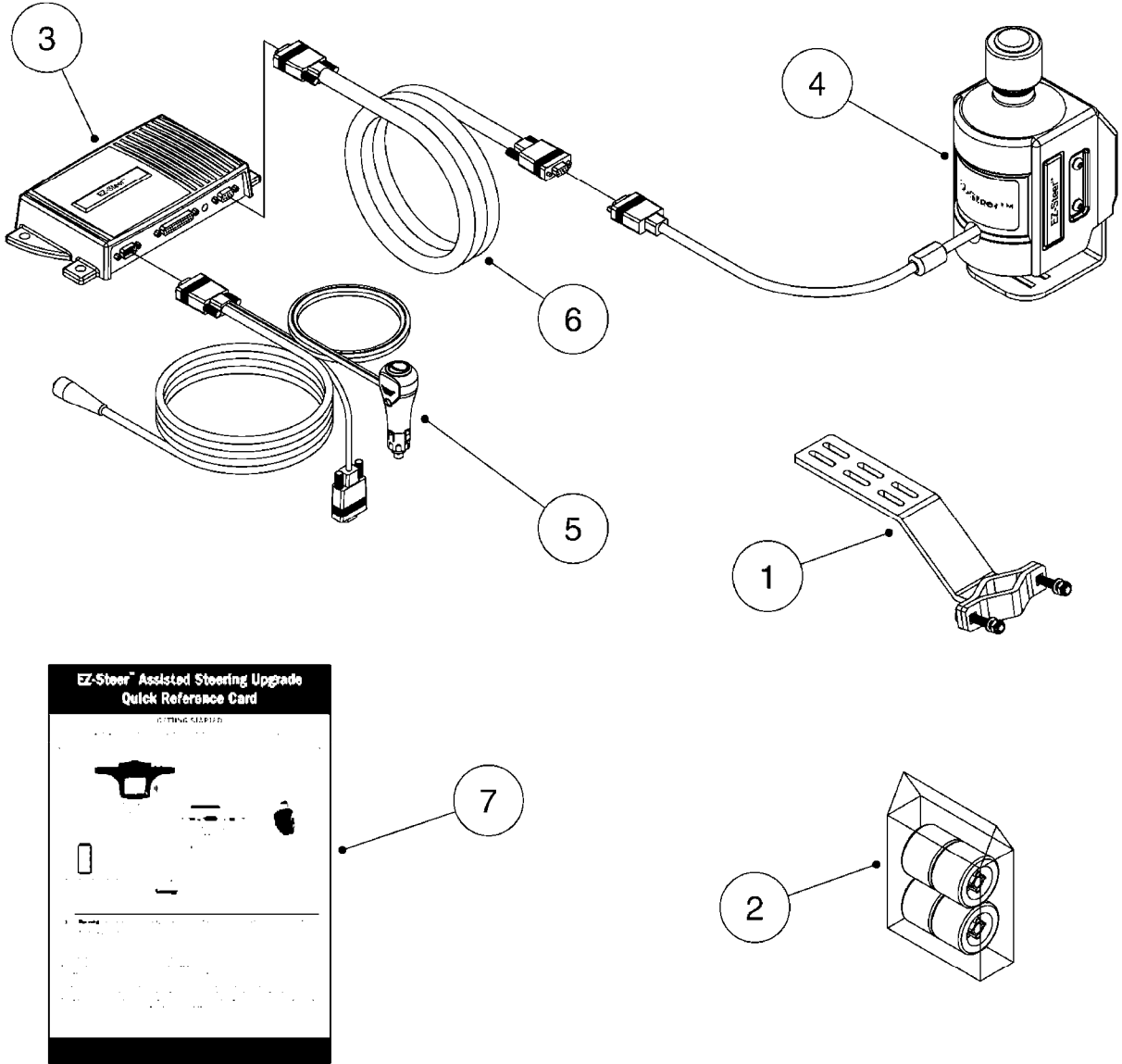
# G195



EZ-GUIDE PLUS LIGHT BAR  
G195-HIN, 01:01:01

Page 1  
Date 06.04.2015 10:38

| parts-n° | order qty | description                    |
|----------|-----------|--------------------------------|
| 26007403 | 1         | ANTENNA,HURRICANE F. EZGUIDEPL |
| 26007503 | 1         | REMOTE KEYPAD EZ-GUIDE PLUS    |
| 26007603 | 1         | CABLE, ANTENNA, EZGUIDEPLUS    |
| 26007703 | 1         | CABLE, POWER F. EZGUIDEPLUS    |
| 26007803 | 1         | BRACKET KIT F. EZGUIDEPLUS     |
| 26007903 | 1         | EZ-Guide 500 External Interfac |
| 26008003 | 1         | LIGHT BAR ASSM WITH GPS        |
| 26008103 | 1         | LIGHT BAR ASSM WITHOUT GPS     |
| 29002703 | 1         | VACUUM CUP 4 1/2" 1420I        |
| 29002803 | 1         | MOUNT, MAG F. ANTENNA          |
| 29002903 | 1         | PLATE, F. ANTENNA MOUNT        |
| 67206303 | 1         | QUICK REFERENCE CARD EZ-GUIDE+ |
| 67206403 | 1         | MANUAL EZ GUIDE PLUS           |
| 84205303 | 1         | EZ GUIDE PLUS W GPS, NO LABLE  |
| 84205403 | 1         | EZ GUIDE PLUS W/O GPS,NO LABLE |
| 97607603 | 1         | DECAL COMPANY 45MM X 20MM      |



COMPLETE ASSEMBLY 8

COMPLETE ASSEMBLIES  
WHOLEGOODS ITEMS

**G196**

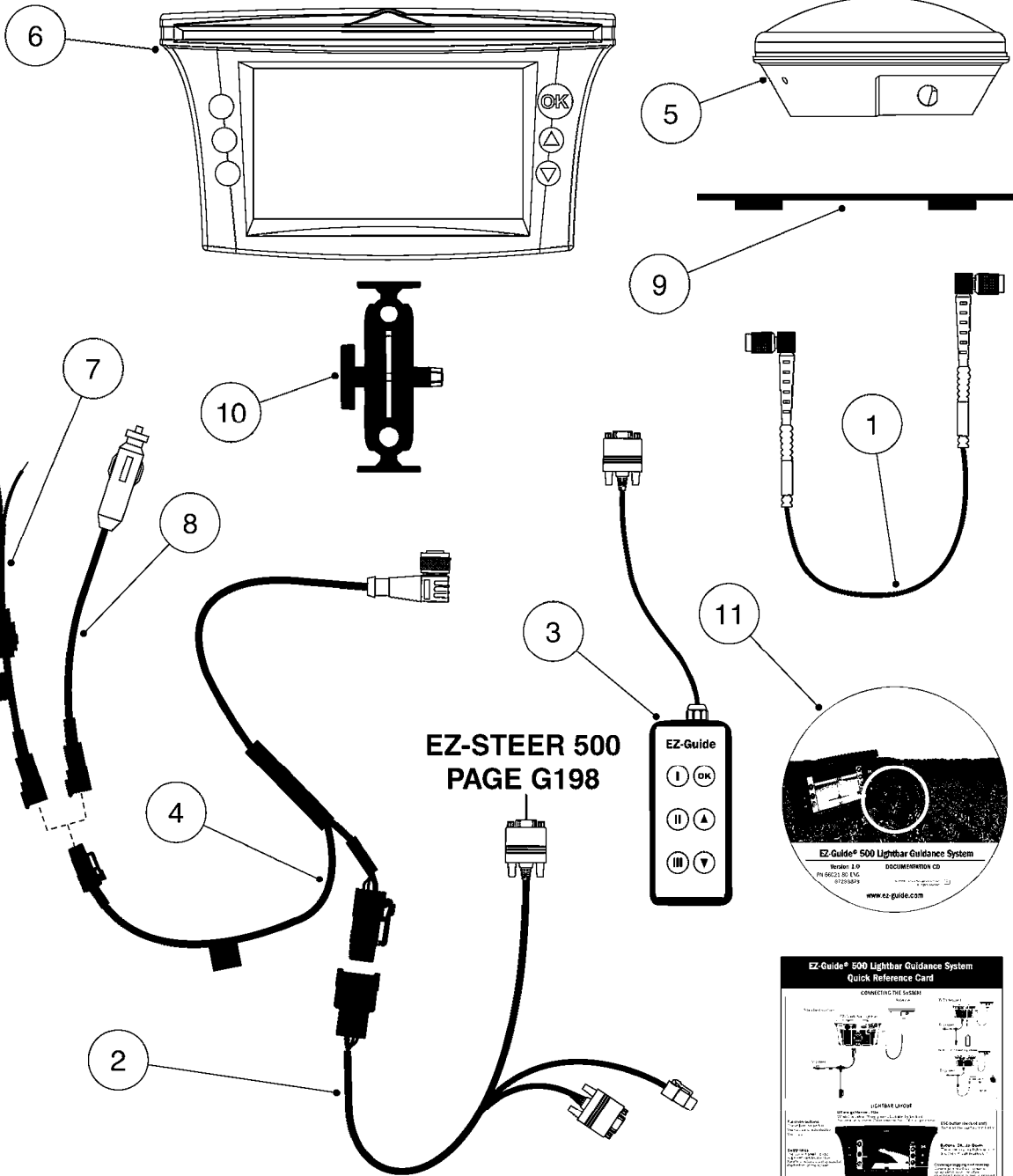


EZ-STEER STEERING SYSTEM  
G196-HIN, 15:11:09

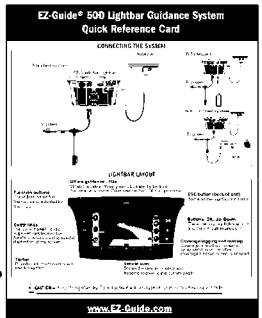
Page 1

Date 06.04.2015 10:38

| Pos. | parts-n° | order qty | description                    |
|------|----------|-----------|--------------------------------|
| 1    | 26008803 | 1         | EZ-STR.BKT-JD 4000,8000 4WD    |
| 1    | 26008903 | 1         | EZ-STR.BKT-JD80002WD,7X20,9000 |
| 1    | 26009003 | 1         | EZ-STR.BKT-CASE IH 7100/7200   |
| 1    | 26009103 | 1         | EZ-STR.BKT-JD COMBINE&ROGATOR  |
| 1    | 26009203 | 1         | EZ-STR.BKT-JD 6000,7000        |
| 1    | 26009303 | 1         | EZ-STR.BKT-BUHLER,NH VERSATILE |
| 1    | 26009403 | 1         | EZ-STR.BKT-STEIGER,NH VERSATIL |
| 1    | 26009503 | 1         | EZ-STR.BKT-INTERNATIONAL TRUCK |
| 1    | 26009603 | 1         | EZ-STR.BKT-AGCHEM TERRAGATOR   |
| 1    | 26009703 | 1         | EZ-STR.BKT-CASE IH MXM         |
| 1    | 28036903 | 1         | EZ-STR.BKT-CASE IH COMB.1600   |
| 1    | 28037003 | 1         | EZ-STR.BKT-JD 89XX,71XX,72XX   |
| 1    | 28037103 | 1         | EZ-STR.BKT-JD 8000/9000        |
| 1    | 28037203 | 1         | EZ-STR.T2 TERRAIN COMP.UPDATE  |
| 1    | 28037303 | 1         | EZ-STR.BKT-SPR.COUPE 3000/4000 |
| 1    | 28038203 | 1         | EZ-STR.BKT-FENDT 924           |
| 1    | 28046503 | 1         | EZ-STR.BKT-AGCO DT/RT,MF64/74  |
| 1    | 28047803 | 1         | EZ-STR.BKT.-NH TVT,CASE IH CVX |
| 1    | 28050203 | 1         | EZ-STR.BKT-CASE JX(U),NH TL(A) |
| 1    | 28055203 | 1         | EZ-STR.BKT-CASE MXM/N.HOLLAND  |
| 1    | 28055903 | 1         | EZ-STR.BKT-WILMAR EAGLE        |
| 2    | 26009803 | 1         | EZ-STEER FOAM WHEELS 4-PK      |
| 3    | 26009903 | 1         | EZ-STEER CONTROLLER            |
| 4    | 26010003 | 1         | EZ-STEER MOTOR KIT             |
| 5    | 26010103 | 1         | EZ-STEER POWER CABLE           |
| 6    | 26010203 | 1         | EZ-STEER MOTOR CABLE 3M        |
| 7    | 67210803 | 1         | QUICK REFERENCE CARD EZ-STEER  |
| 8    | 84205503 | 1         | EZ-STEER SYSTEM COMPLETE       |



EZ-STEER 500  
PAGE G198



COMPLETE ASSEMBLY 13

COMPLETE ASSEMBLIES  
WHOLEGOODS ITEMS

# G197



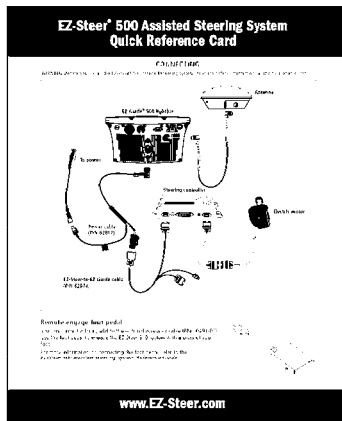
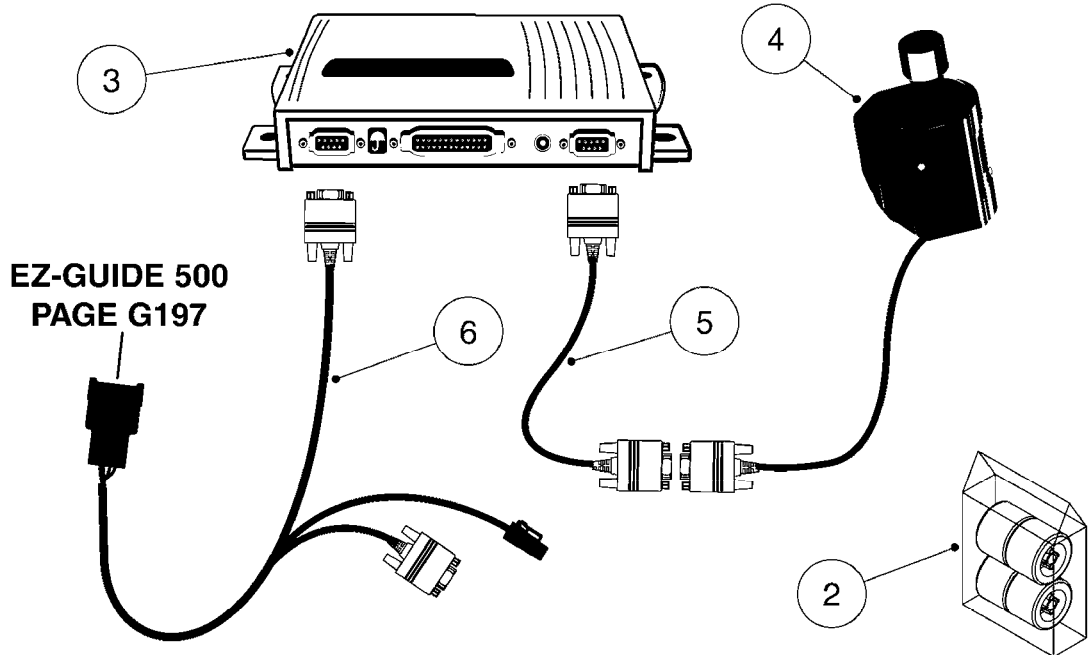
EZ-GUIDE 500 LIGHTBAR  
G197-HIN, 09:12:09

Page 1

Date 06.04.2015 10:38

| Pos. | parts-n° | order qty | description                    |
|------|----------|-----------|--------------------------------|
| 1    | 26007603 | 1         | CABLE, ANTENNA, EZGUIDEPLUS    |
| 2    | 26012203 | 1         | EZ-STEER/GUIDE 500 ADAPT.CABLE |
| 3    | 26015303 | 1         | REMOTE KEYPAD EZGUIDE 500/250  |
| 3    | 28048403 | 1         | DECAL - REMOTE OVERLAY 500/250 |
| 4    | 26015403 | 1         | EZ-GUIDE 500 CABLE POWER/CAN90 |
| 5    | 26015503 | 1         | EZ-GUIDE 500 Z PLUS ANTENNA    |
| 5    | 26015603 | 1         | ANTENNA AG15 L1,EZ GDE 500/250 |
| 6    | 26015703 | 1         | EZ-GUIDE 500 DGPS DISPLAY      |
| 6    | 26015803 | 1         | EZ-GUIDE 500 OMNISTAR DISPLAY  |
| 7    | 26016103 | 1         | EZ-GUIDE 500 CABLE UNTERM.FUSE |
| 8    | 26016203 | 1         | EZ-GUIDE 500 POWER CONN.CABLE  |
| 9    | 28048203 | 1         | EZ-GUIDE 500 MOUNT F.AG15 ANT. |
| 10   | 28048303 | 1         | EZ-GUIDE 250/500 RAM MNT.1.5"  |
| 11   | 29003803 | 1         | EZ-GUIDE 500 CD,GET.STARTED V1 |
| 12   | 67215403 | 1         | EZ-GUIDE 500 QUICK REF.CARD V1 |
| 13   | 84208303 | 1         | EZ GUIDE 500 LIGHTBAR (DGPS)   |
| 13   | 84208403 | 1         | EZ GUIDE 500 LIGHTBAR (XP/HP)  |
| 13   | 84208503 | 1         | EZ GUIDE 500 LIGHTBAR (RTK)    |





COMPLETE ASSEMBLY 9

COMPLETE ASSEMBLIES  
WHOLEGOODS ITEMS

G198

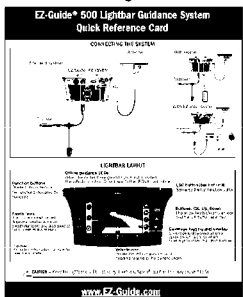
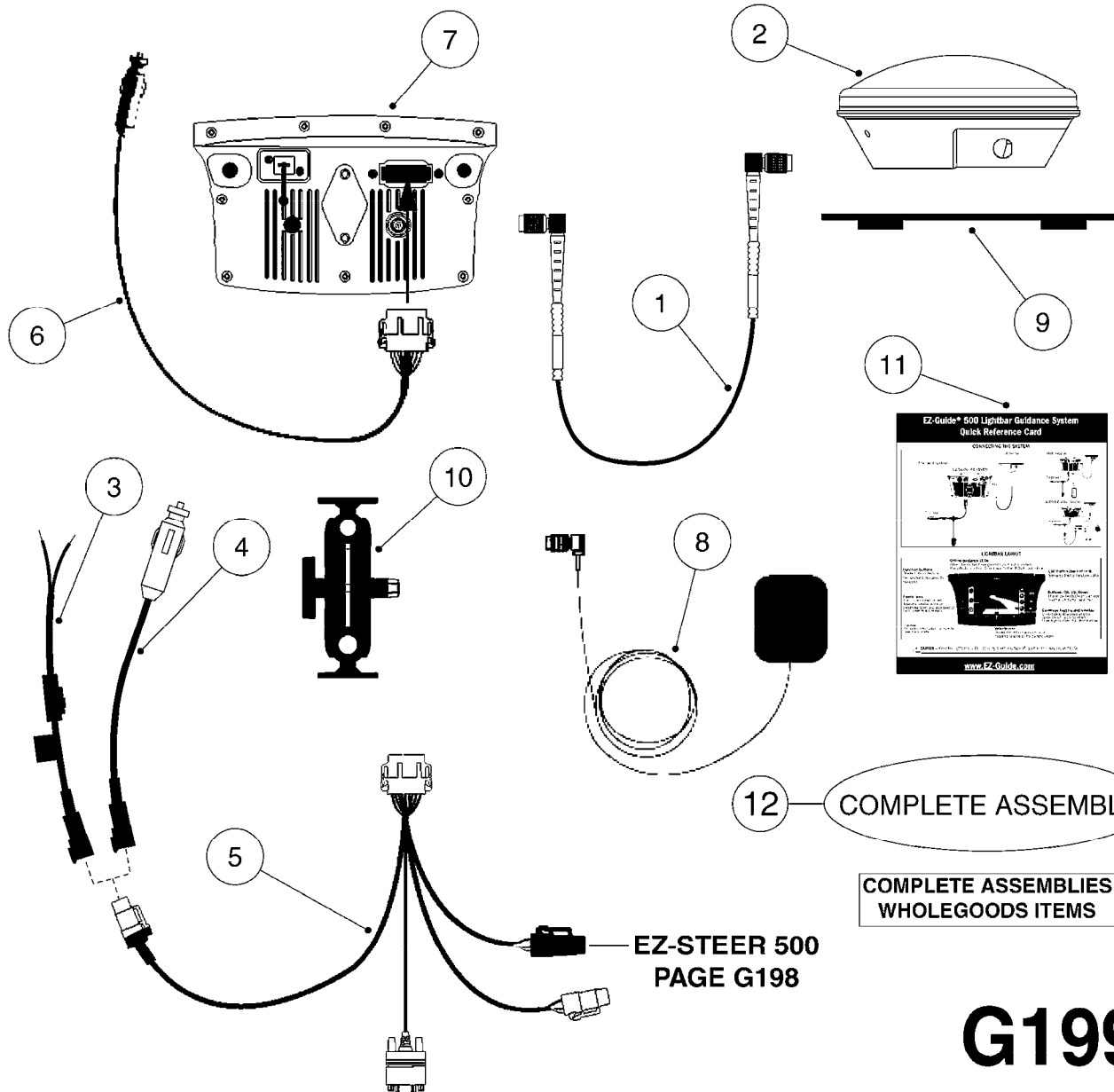


EZ-STEER 500 STEERING SYSTEM  
G198-HIN, 01:12:09

Page 1

Date 06.04.2015 10:38

| Pos. | parts-n° | order qty | description                     |
|------|----------|-----------|---------------------------------|
| 1    | 26008803 | 1         | EZ-STR.BKT-JD 4000,8000 4WD     |
| 1    | 26008903 | 1         | EZ-STR.BKT-JD80002WD,7X20,9000  |
| 1    | 26009003 | 1         | EZ-STR.BKT-CASE IH 7100/7200    |
| 1    | 26009103 | 1         | EZ-STR.BKT-JD COMBINE&ROGATOR   |
| 1    | 26009203 | 1         | EZ-STR.BKT-JD 6000,7000         |
| 1    | 26009303 | 1         | EZ-STR.BKT-BUHLER,NH VERSATILE  |
| 1    | 26009403 | 1         | EZ-STR.BKT-STEIGER,NH VERSATIL  |
| 1    | 26009503 | 1         | EZ-STR.BKT-INTERNATIONAL TRUCK  |
| 1    | 26009603 | 1         | EZ-STR.BKT-AGCHEM TERRAGATOR    |
| 1    | 26009703 | 1         | EZ-STR.BKT-CASE IH MXM          |
| 1    | 28036903 | 1         | EZ-STR.BKT-CASE IH COMB.1600    |
| 1    | 28037003 | 1         | EZ-STR.BKT-JD 89XX,71XX,72XX    |
| 1    | 28037103 | 1         | EZ-STR.BKT-JD 8000/9000         |
| 1    | 28037203 | 1         | EZ-STR.T2 TERRAIN COMP.UPDATE   |
| 1    | 28037303 | 1         | EZ-STR.BKT-SPR.COUPPE 3000/4000 |
| 1    | 28038203 | 1         | EZ-STR.BKT-FENDT 924            |
| 1    | 28046503 | 1         | EZ-STR.BKT-AGCO DT/RT,MF64/74   |
| 1    | 28047803 | 1         | EZ-STR.BKT.-NH TVT,CASE IH CVX  |
| 1    | 28050203 | 1         | EZ-STR.BKT-CASE JX(U),NH TL(A)  |
| 1    | 28055203 | 1         | EZ-STR.BKT-CASE MXM/N.HOLLAND   |
| 1    | 28055903 | 1         | EZ-STR.BKT-WILMAR EAGLE         |
| 2    | 26009803 | 1         | EZ-STEER FOAM WHEELS 4-PK       |
| 3    | 26009903 | 1         | EZ-STEER CONTROLLER             |
| 4    | 26010003 | 1         | EZ-STEER MOTOR KIT              |
| 5    | 26010203 | 1         | EZ-STEER MOTOR CABLE 3M         |
| 6    | 26012203 | 1         | EZ-STEER/GUIDE 500 ADAPT.CABLE  |
| 7    | 26012503 | 1         | EZ-STR.FOOT SWITCH & ACC.CABLE  |
| 8    | 67214803 | 1         | EZ-STR.REF.GUIDE V3 SPARE       |
| 8    | 67214903 | 1         | EZ-STEER QUICK REF.CARD V3      |
| 8    | 67215203 | 1         | EZ-STEER 500 QUICK REF.CARD V1  |
| 8    | 67215303 | 1         | MANUAL EZ-STEER 500 REF V1      |
| 9    | 84208603 | 1         | EZ-STEER 500/250 SYS. COMPLETE  |



12 COMPLETE ASSEMBLY

COMPLETE ASSEMBLIES  
WHOLEGOODS ITEMS

EZ-STEER 500  
PAGE G198

**G199**

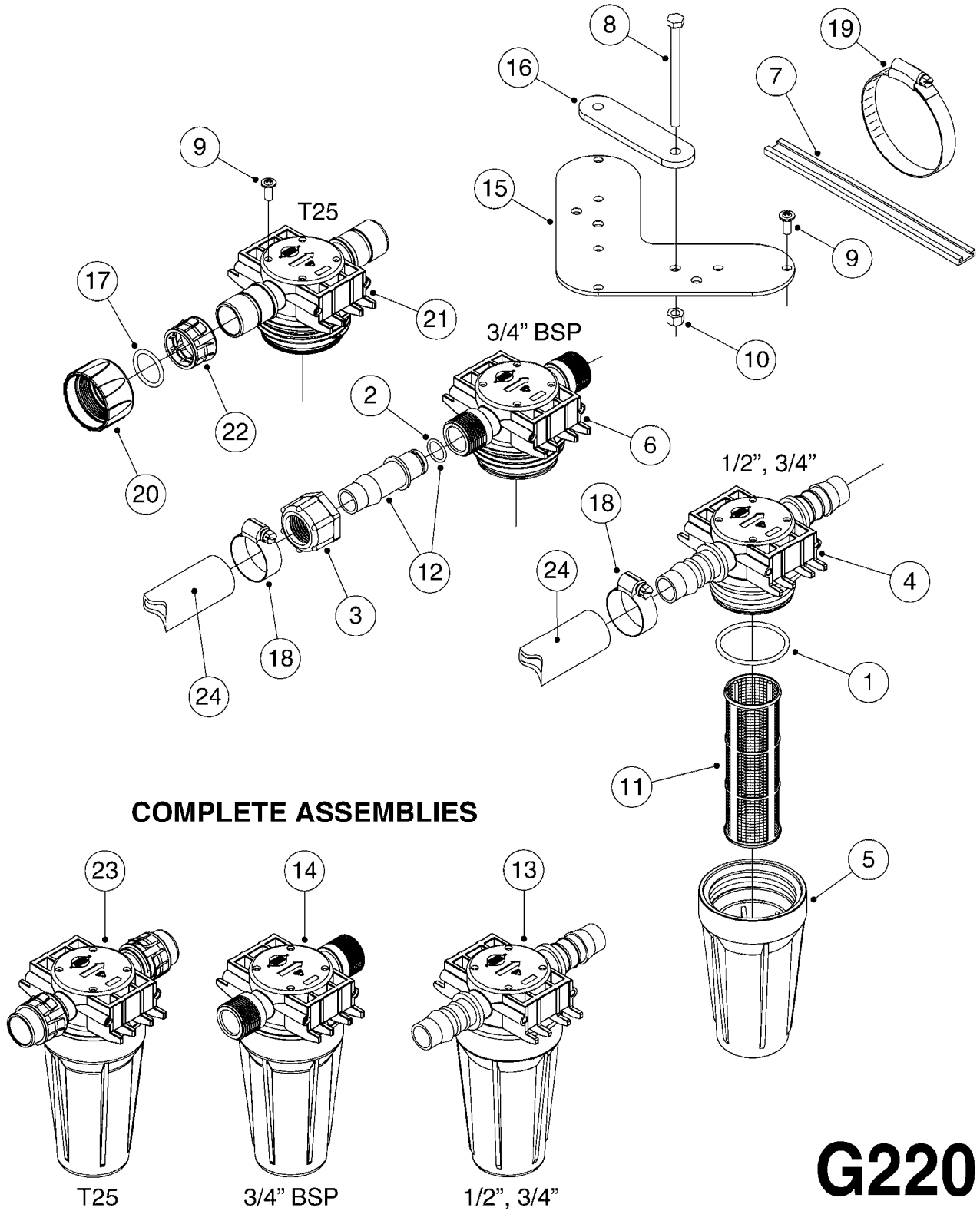


EZ-GUIDE 250 LIGHTBAR  
G199-HIN, 30:11:09

Page 1

Date 06.04.2015 10:38

| Pos. | parts-n° | order qty | description                    |
|------|----------|-----------|--------------------------------|
| 1    | 26007603 | 1         | CABLE, ANTENNA, EZGUIDEPLUS    |
| 2    | 26015603 | 1         | ANTENNA AG15 L1,EZ GDE 500/250 |
| 3    | 26016103 | 1         | EZ-GUIDE 500 CABLE UNTERM.FUSE |
| 4    | 26016203 | 1         | EZ-GUIDE 500 POWER CONN.CABLE  |
| 5    | 26017303 | 1         | EZ-GUIDE 250 ALL PORT CABLE    |
| 6    | 26017703 | 1         | EZ-GUIDE 250 POWER CABLE       |
| 7    | 26017803 | 1         | EZ-GUIDE 250 LIGHTBAR DISPLAY  |
| 8    | 26017903 | 1         | EZ-GUIDE 250 PATCH ANTENNA     |
| 9    | 28048203 | 1         | EZ-GUIDE 500 MOUNT F.AG15 ANT. |
| 10   | 28048303 | 1         | EZ-GUIDE 250/500 RAM MNT.1.5"  |
| 11   | 67217403 | 1         | EZ-GUIDE 250 QUICK REF.CARD    |
| 12   | 84210603 | 1         | EZ GUIDE 250 LIGHTBAR          |



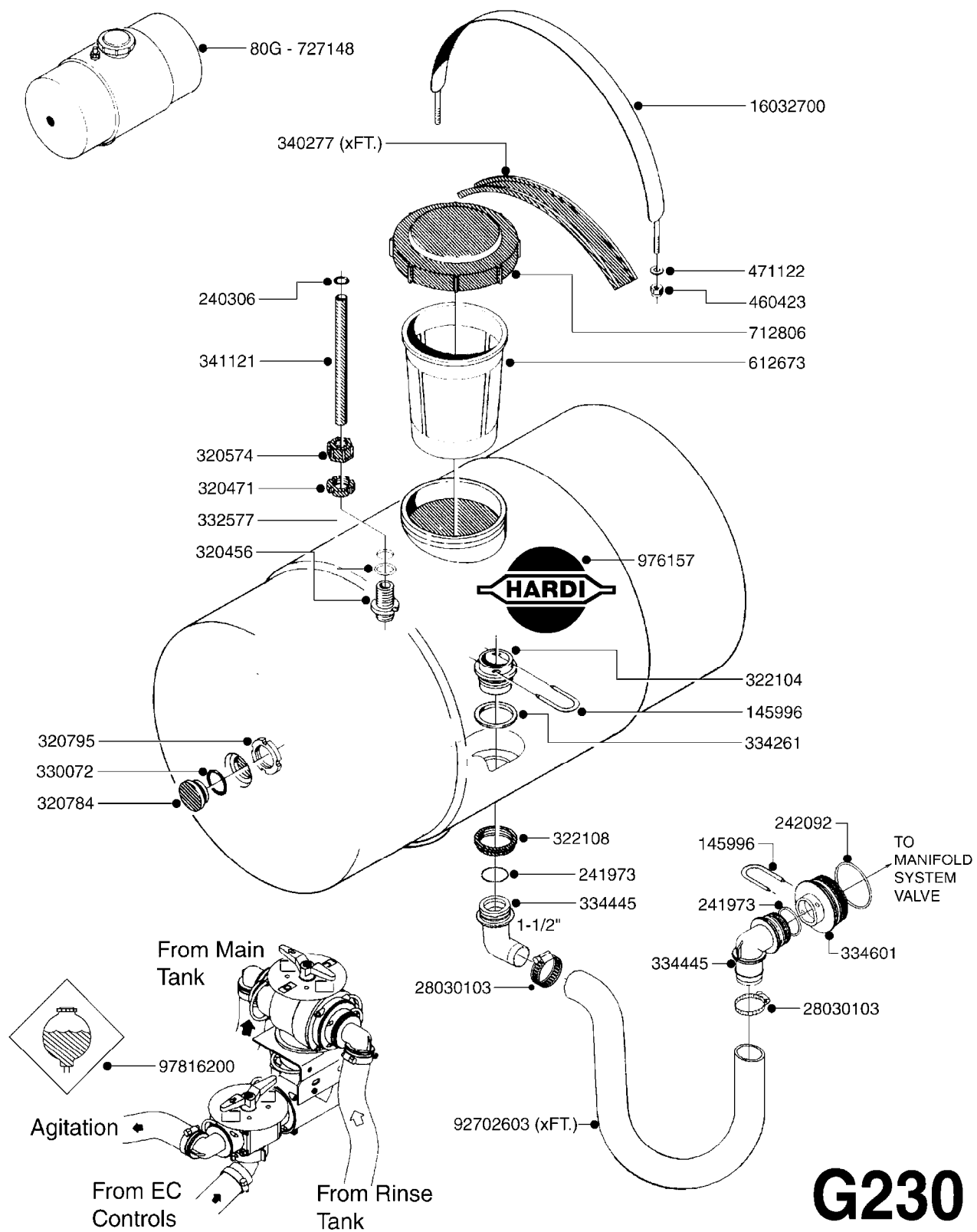


FILTER ASSEMBLIES-IN LINE  
G220-HIN, 29:08:12

Page 1

Date 06.04.2015 10:38

| Pos. | parts-n° | order qty | description                    |
|------|----------|-----------|--------------------------------|
| 1    | 240925   | 1         | O-RING D49.5X3 NITRIL          |
| 2    | 242594   | 1         | O-RING D14 X 1.78 SCH.70-EPDM  |
| 3    | 320283   | 1         | FITT.DK NUT 3/4"BSP            |
| 4    | 322241   | 1         | FILTER HOUSING W.3/4' BARBS    |
| 4    | 322249   | 1         | FILTER HOUSING W.1/2' BARBS    |
| 5    | 322242   | 1         | FILTER BOWL / IN-LINE          |
| 6    | 322250   | 1         | FILTER HOUSING W.3/4"BSP THRD  |
| 7    | 341291   | 1         | RUBBER HOSE CLAMP COVER 130MM  |
| 7    | 341292   | 1         | RUBBER HOSE CLAMP COVER 180MM  |
| 8    | 410605   | 1         | BOLT HEX 8.8 DEL M6X80         |
| 9    | 440673   | 1         | SCREW F.PLASTIC 5X12 SS        |
| 10   | 460261   | 1         | NUT HEX M6X1 LOCK A2 DIN985    |
| 11   | 615443   | 1         | FILTER ELEM.50 MESH BLUE       |
| 11   | 615444   | 1         | FILTER ELEM.80 MESH RED        |
| 11   | 615445   | 1         | FILTER ELEM.100 MESH YELLOW    |
| 12   | 716236   | 1         | FITT.DK HB 1/2" ASSY. F. 3/4"  |
| 12   | 724621   | 1         | FITT.DK HB 3/4"ASSY F.3/4" NUT |
| 13   | 845205   | 1         | FILTER IN-LINE 1/2' 50 MESH    |
| 13   | 845208   | 1         | FILTER IN-LINE 3/4' 50 MESH    |
| 13   | 845209   | 1         | FILTER IN-LINE 3/4' 80 MESH    |
| 14   | 845218   | 1         | FILTER IN-LINE 3/4'50 MESH OML |
| 14   | 845219   | 1         | FILTER IN-LINE 3/4'80 MESH OML |
| 15   | 16022203 | 1         | PLATE 3.0 X 55 X 196           |
| 16   | 16022403 | 1         | BRACKET 60MM TUBE              |
| 17   | 24263000 | 1         | O-RING Ø24.4 X 3.1 NITRIL SH70 |
| 18   | 28029903 | 1         | CLAMP HOSE GEAR P3/4"-S1" 6712 |
| 19   | 28047103 | 1         | CLAMP HOSE GEAR 50 X 50 6740   |
| 19   | 28047203 | 1         | CLAMP HOSE GEAR 60 X 80 6756   |
| 20   | 32239700 | 1         | FITT.DK NUT T25                |
| 21   | 32239800 | 1         | FITT.DK IN-LINE FILTER TOP T25 |
| 22   | 33515500 | 1         | FITT.DK NUT LOCK RING T25      |
| 23   | 72700600 | 1         | FILTER IN-LINE 80 MESH, T25    |
| 24   | 92702103 | 1         | HOSE R X1/2" X300PSI WP X0012" |
| 24   | 92703203 | 1         | HOSE R X3/4" X300PSI WP X0012" |



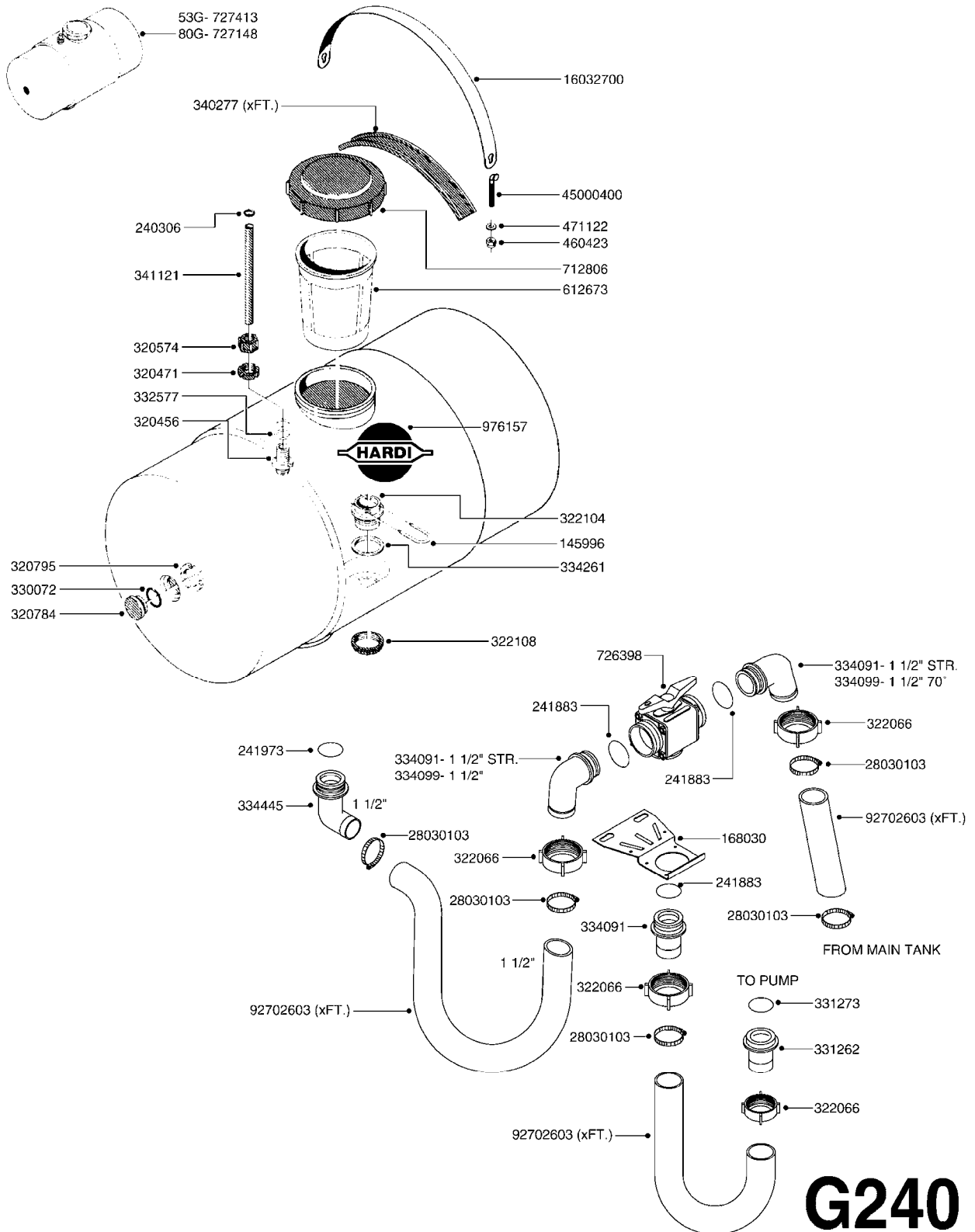


FLUSH SYS-PLMBNG MANIFOLD SYS  
G230-HIN, 09:12:09

Page 1  
Date 06.04.2015 10:38

| parts-n° | order qty | description                    |
|----------|-----------|--------------------------------|
| 145996   | 1         | FITT.DK S-67 FORK              |
| 240306   | 1         | O-RING D29/D21X4               |
| 241973   | 1         | O-RING 44.2 x 3.0 (use-242353) |
| 242092   | 1         | O-RING D69.5X3 (Use-242351)    |
| 320456   | 1         | FITT.DK BULKHEAD 1"BSP DOUBLE  |
| 320471   | 1         | FITT.DK NUT 1" BSP JAMB        |
| 320574   | 1         | FITT.DK NUT 1" BSP SPECIAL     |
| 320784   | 1         | FITT.DK CAP 1-1/2" BSP         |
| 320795   | 1         | FITT.DK NUT 1-1/2" BSP JAMB    |
| 322104   | 1         | FITT.DK S-67 BULKHEAD          |
| 322108   | 1         | FITT.DK S-67 BULKHEAD NUT      |
| 330072   | 1         | O-RING D53.5/D45.5X4           |
| 332577   | 1         | O-RING D38/D30X4 F.1" PUR.     |
| 334261   | 1         | GASKET F. S-67 BULKHEAD        |
| 334445   | 1         | FITT.DK S-67 ELB.1-1/2"        |
| 334601   | 1         | FITT.DK S-93 TO S67 ADAPTOR    |
| 340277   | 1         | TANK PACKING - 40mm WIDE x 12" |
| 341121   | 1         | VENT TUBE F.FLUSH TANK L=300   |
| 460423   | 1         | NUT HEX M10X1.5 LOCK           |
| 471122   | 1         | WASHER D20/D10.5X2 SS          |
| 612673   | 1         | FILTER BASKET F. ES30/ES53     |
| 712806   | 1         | TANK LID WITH VENT S226 RED    |
| 727148   | 1         | TANK 80 GAL.F/FLUSH            |
| 976157   | 1         | DECAL COMPANY (4.4" X 4.6")    |
| 16032700 | 1         | TANK STRAP 40X2.0 L=930        |
| 28030103 | 1         | CLAMP HOSE GEAR P5/4-S1.5"6724 |
| 92702603 | 1         | HOSE PVC SUCT GRAY 1-1/2"      |
| 97816200 | 1         | DECAL MANIFOLD SYS.FLUSH       |

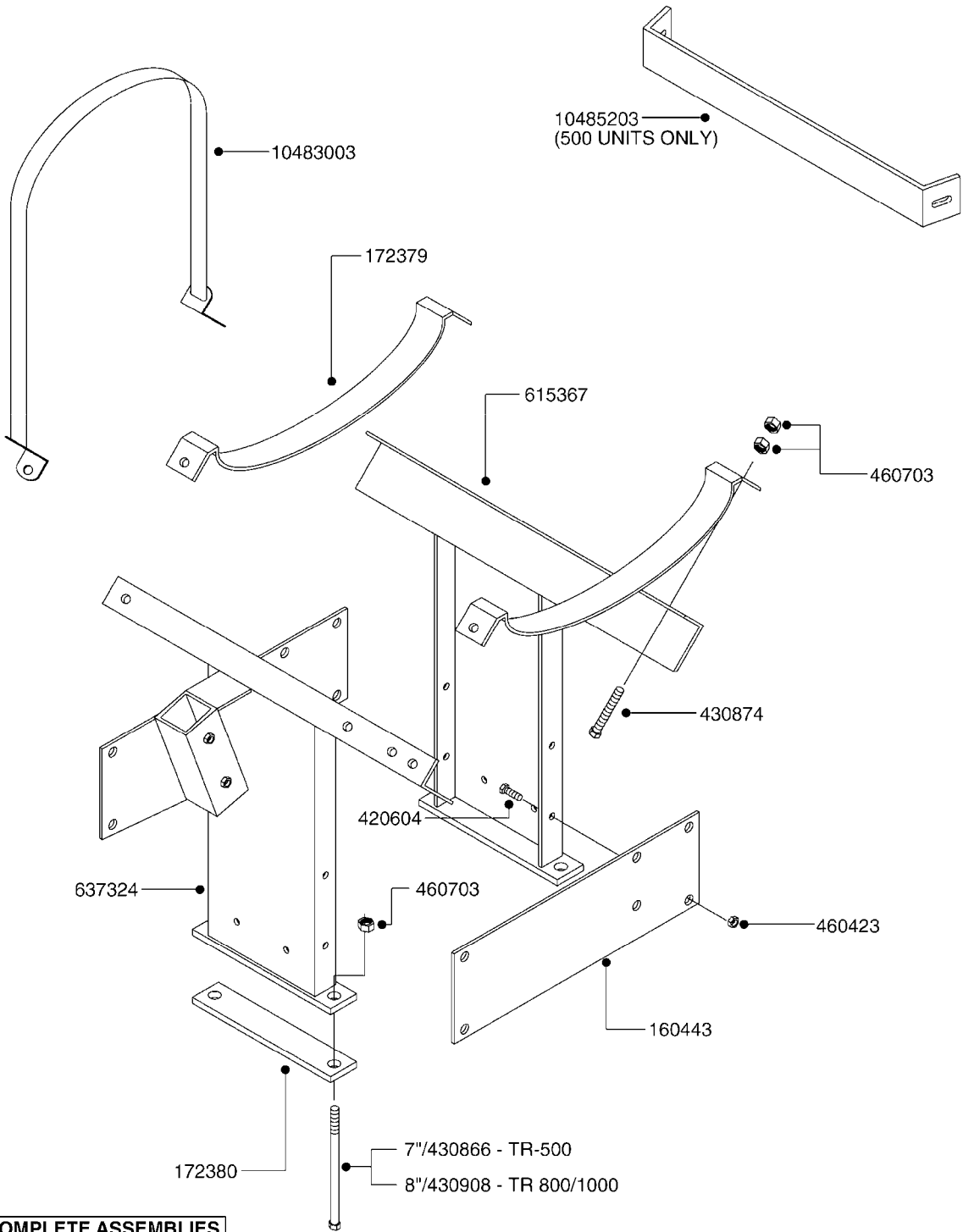




**G240**



| parts-n° | order qty | description                    |
|----------|-----------|--------------------------------|
| 145996   | 1         | FITT.DK S-67 FORK              |
| 168030   | 1         | BRACKET F/3 WAY VALVE          |
| 240306   | 1         | O-RING D29/D21X4               |
| 241883   | 1         | O-RING D39.2X3 NITRIL 242020   |
| 241973   | 1         | O-RING 44.2 x 3.0 (use-242353) |
| 320456   | 1         | FITT.DK BULKHEAD 1"BSP DOUBLE  |
| 320471   | 1         | FITT.DK NUT 1" BSP JAMB        |
| 320574   | 1         | FITT.DK NUT 1" BSP SPECIAL     |
| 320784   | 1         | FITT.DK CAP 1-1/2" BSP         |
| 320795   | 1         | FITT.DK NUT 1-1/2" BSP JAMB    |
| 322066   | 1         | FITT.DK S-56 NUT               |
| 322104   | 1         | FITT.DK S-67 BULKHEAD          |
| 322108   | 1         | FITT.DK S-67 BULKHEAD NUT      |
| 330072   | 1         | O-RING D53.5/D45.5X4           |
| 331262   | 1         | FITT.DK HB 1-1/2" F. 1-1/2"NUT |
| 331273   | 1         | O-RING D44/D38X2 F.1-1/2"      |
| 332577   | 1         | O-RING D38/D30X4 F.1" PUR.     |
| 334091   | 1         | FITT.DK S-61 STR.1-1/2'        |
| 334099   | 1         | FITT.DK S-61 ELB.1-1/2"110 DEG |
| 334261   | 1         | GASKET F. S-67 BULKHEAD        |
| 334445   | 1         | FITT.DK S-67 ELB.1-1/2"        |
| 340277   | 1         | TANK PACKING - 40mm WIDE x 12" |
| 341121   | 1         | VENT TUBE F.FLUSH TANK L=300   |
| 460423   | 1         | NUT HEX M10X1.5 LOCK           |
| 471122   | 1         | WASHER D20/D10.5X2 SS          |
| 612673   | 1         | FILTER BASKET F. ES30/ES53     |
| 712806   | 1         | TANK LID WITH VENT S226 RED    |
| 726398   | 1         | VALVE 3-WAY BLACK              |
| 727148   | 1         | TANK 80 GAL.F/FLUSH            |
| 727413   | 1         | TANK 53 GAL.F/FLUSH            |
| 976157   | 1         | DECAL COMPANY (4.4" X 4.6")    |
| 16032700 | 1         | TANK STRAP 40X2.0 L=930        |
| 28030103 | 1         | CLAMP HOSE GEAR P5/4-S1.5"6724 |
| 45000400 | 1         | T-BOLT SPECIAL F.TANK STRAP ES |
| 92702603 | 1         | HOSE PVC SUCT GRAY 1-1/2"      |



COMPLETE ASSEMBLIES  
WHOLEGOODS ITEMS

**WHOLEGOODS**  
10498503 - COMPLETE ASSEMBLY FOR 500 GALLON

**G270**

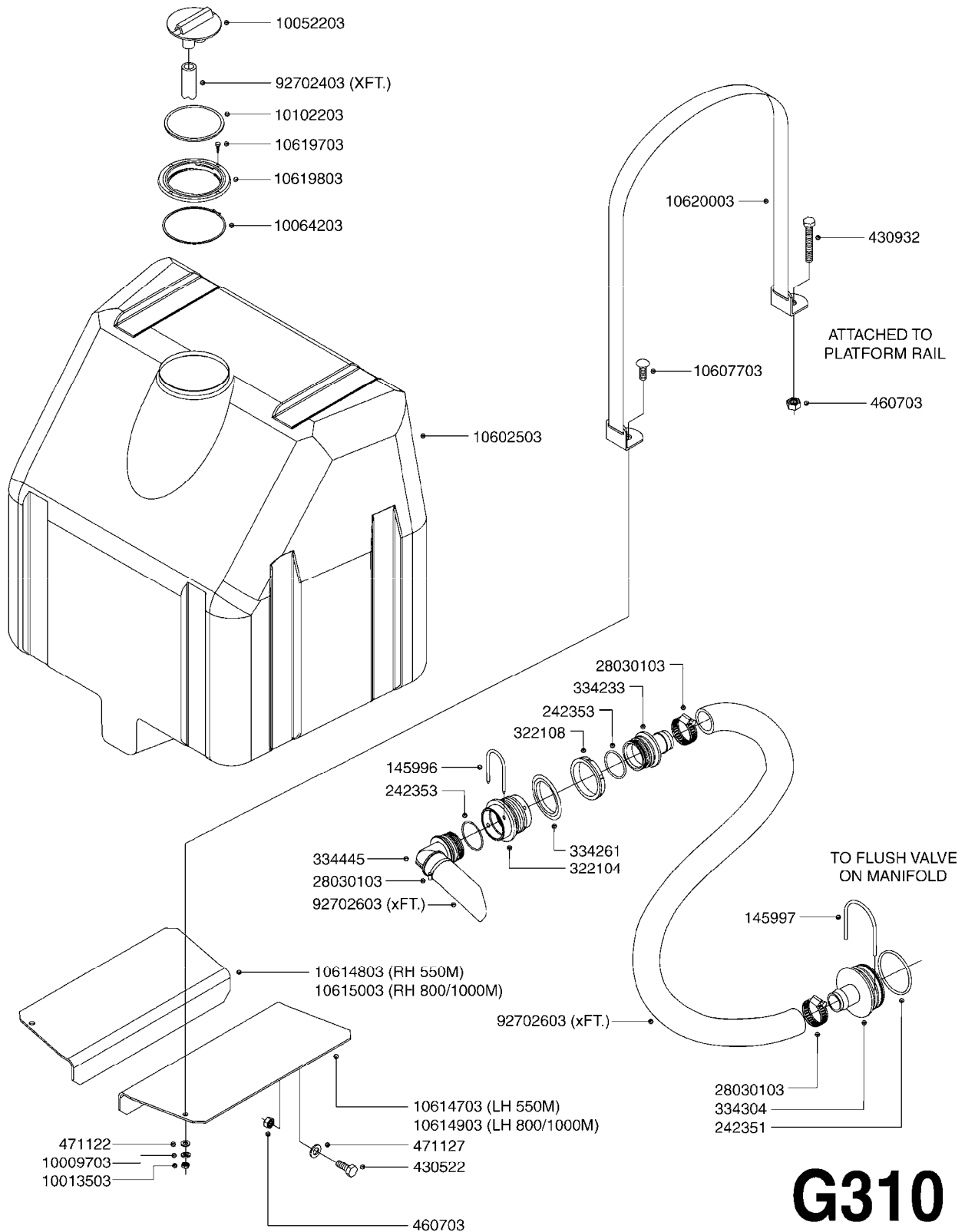


FLUSH SYSTEM-TANKMOUNT TR/HC  
G270-HIN, 01:01:01

Page 1

Date 06.04.2015 10:38

| parts-n° | order qty | description                       |
|----------|-----------|-----------------------------------|
| 10483003 | 1         | TANK STRAP, 50", 2X90°X13MM       |
| 10485203 | 1         | BRACE A FRAME TR500 FLUSH         |
| 10498503 | 1         | FLUSH SYS F.500 EAG (FACTORY)     |
| 160443   | 1         | SIDE PLATE F.FLUSH TANK           |
| 172379   | 1         | SADDLE F. FLUSH TANK              |
| 172380   | 1         | FLAT BAR 12X50MM                  |
| 420604   | 1         | BOLT HEX 8.8 DEL M10X25 FT DIN933 |
| 430866   | 1         | BOLT HEX 8.8 DEL M12X170          |
| 430874   | 1         | SCREW SET 8.8 DEL M12X70 FT       |
| 430908   | 1         | BOLT HEX 8.8 DEL M12X200          |
| 460423   | 1         | NUT HEX M10X1.5 LOCK              |
| 460703   | 1         | NUT HEX M12X1.75 LOCK DIN985      |
| 615367   | 1         | UPRIGHT F.FLUSH TANK REAR         |
| 637324   | 1         | UPRIGHT F.FLUSH TANK FRONT        |

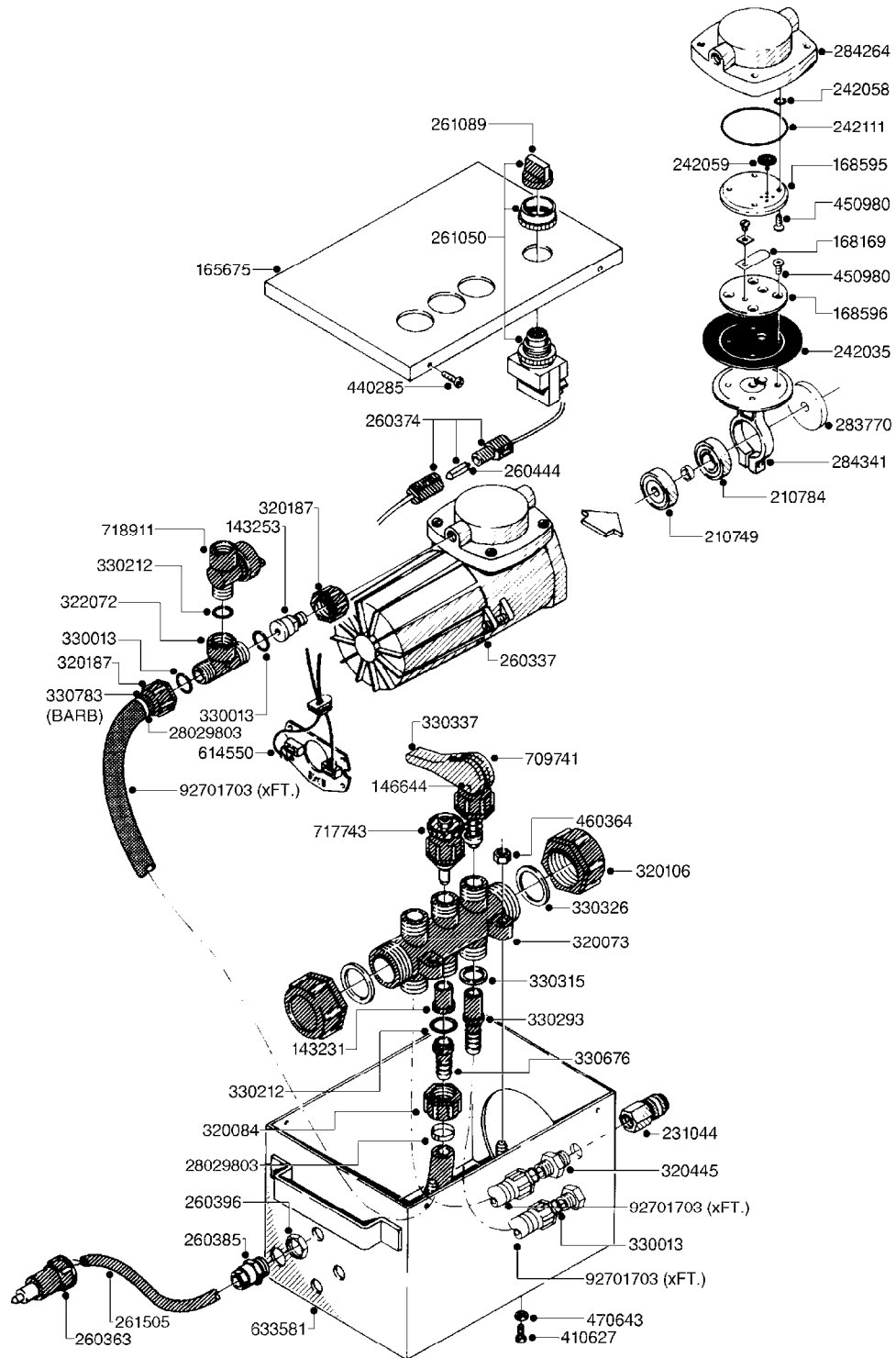




FLUSH SYSTEM TANK MOUNT NAV-M  
G310-HIN, 25:04:11

Page 1  
Date 06.04.2015 10:38

| parts-n° | order qty | description                    |
|----------|-----------|--------------------------------|
| 145996   | 1         | FITT.DK S-67 FORK              |
| 145997   | 1         | FITT.DK S-93 FORK              |
| 242351   | 1         | O-RING D69.5X3.0 VITON F.S-93  |
| 242353   | 1         | O-RING D44.2X3.0 VITON F.S-67  |
| 322104   | 1         | FITT.DK S-67 BULKHEAD          |
| 322108   | 1         | FITT.DK S-67 BULKHEAD NUT      |
| 334233   | 1         | FITT.DK S-67 STR.1-1/2' RUBBER |
| 334261   | 1         | GASKET F. S-67 BULKHEAD        |
| 334304   | 1         | FITT.DK S-93 STR.1-1/2" PVC    |
| 334445   | 1         | FITT.DK S-67 ELB.1-1/2"        |
| 430522   | 1         | BOLT HEX 8.8 DEL M12X25 FT     |
| 430932   | 1         | BOLT HEX 8.8 DEL M12X130 FT    |
| 460703   | 1         | NUT HEX M12X1.75 LOCK DIN985   |
| 471122   | 1         | WASHER D20/D10.5X2 SS          |
| 471127   | 1         | WASHER D24/D13X2.5 STAINLESS   |
| 10009703 | 1         | WASHER LOCK L/W Z 3/8"         |
| 10013503 | 1         | NUT HEX NC 3/8"                |
| 10052203 | 1         | LID VENT ASSY                  |
| 10064203 | 1         | SET SEALING SPONGE 1 Ft BULK   |
| 10102203 | 1         | GASKET F.16" LID BREATHER      |
| 10602503 | 1         | TANK F. FLUSH SYS. 90G NAV.M.  |
| 10607703 | 1         | BOLT CARRIAGE 3/8'x1' ZINC     |
| 10614703 | 1         | FLUSH TANK BKT. LH NAV550      |
| 10614803 | 1         | FLUSH TANK BKT. RH NAV550      |
| 10614903 | 1         | FLUSH TANK BKT. LH NAV8/1000   |
| 10615003 | 1         | FLUSH TANK BKT. RH NAV8/1000   |
| 10619703 | 1         | SCREW SS #6x3/4' SELF TAPPING  |
| 10619803 | 1         | LID HOUSING TREADED F. 6'      |
| 10620003 | 1         | STRAP F.90GAL FL.TK. NAV 58.2" |
| 28030103 | 1         | CLAMP HOSE GEAR P5/4-S1.5"6724 |
| 92702403 | 1         | HOSE PVC SUCT GRAY 1"          |
| 92702603 | 1         | HOSE PVC SUCT GRAY 1-1/2"      |



717824 - COMPLETE ASSEMBLY

COMPLETE ASSEMBLIES  
WHOLEGOODS ITEMS

**G320**



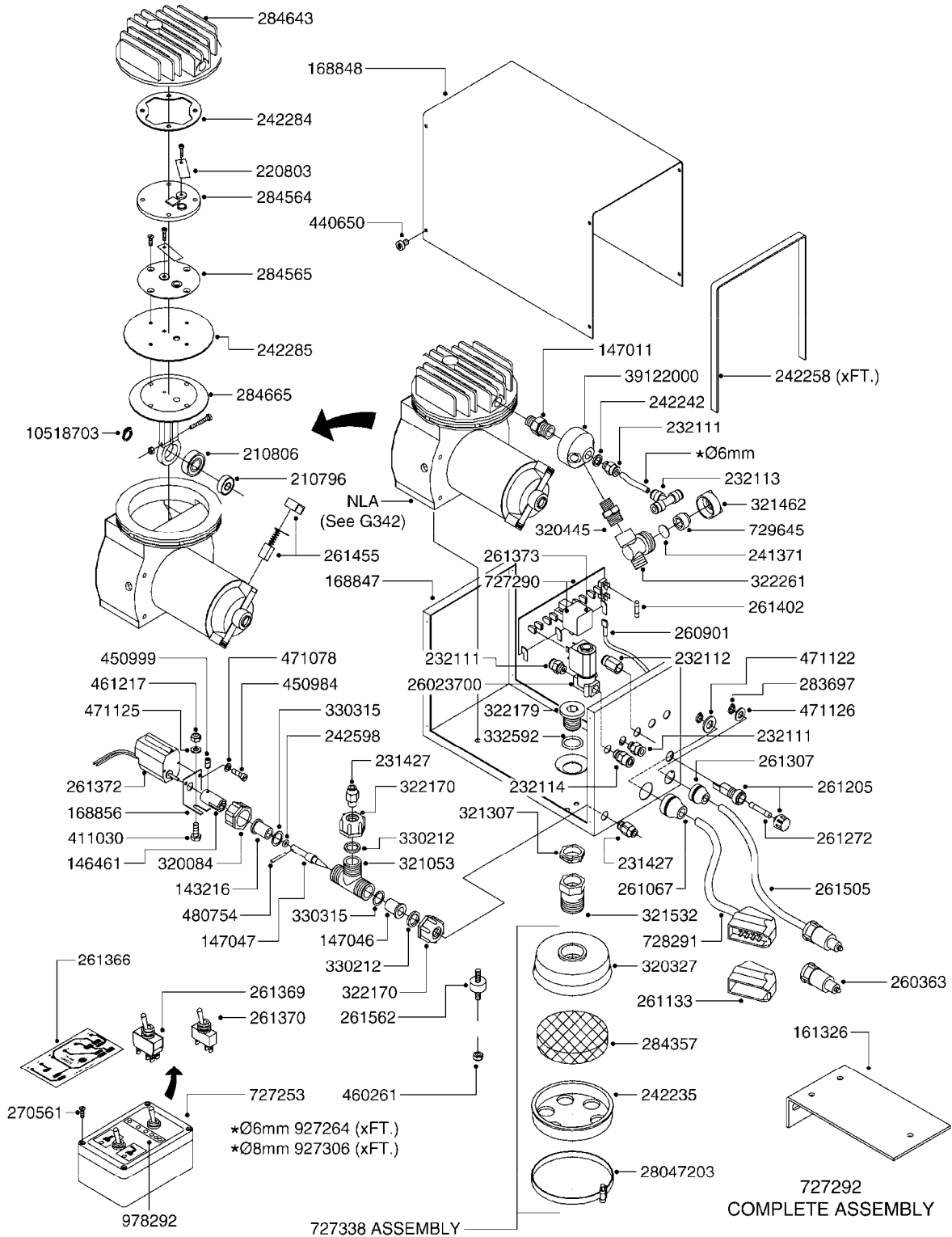
FOAM MARKER COMPRESSOR PRE 92  
G320-HIN, 26:05:11

Page 1

Date 06.04.2015 10:38

| parts-n° | order qty | description                    |
|----------|-----------|--------------------------------|
| 143231   | 1         | SEAT F. VALVE 1/2'             |
| 143253   | 1         | CONNECTING BRANCH FOR COMPRES. |
| 146644   | 1         | PIN D3X19 STAINLESS            |
| 165675   | 1         | TOP COVER FOR CONTROL BOX      |
| 168169   | 1         | INLET VALVE THO.COM.621102     |
| 168595   | 1         | EXHAUST PLATE                  |
| 168596   | 1         | SUCTION PLATE                  |
| 210749   | 1         | BEARING ROLLER 6201-8 N F/COMP |
| 210784   | 1         | BEARING BALL 6002 2Z           |
| 231044   | 1         | QUICK COUPLING F.AIR HOSE      |
| 242035   | 1         | DIAPHRAGM THO.COM.608146       |
| 242058   | 1         | O-RING THO.COM.623048          |
| 242059   | 1         | VALVE (OUTLET)THO.COM.633525   |
| 242111   | 1         | O-RING FOR VALVE PLATE         |
| 260337   | 1         | COMPRESSOR F.F/M-91            |
| 260363   | 1         | PLUG 2 POLE 12V                |
| 260374   | 1         | FUSE HOLDER                    |
| 260385   | 1         | BULKHEAD FITTING F. CABLE      |
| 260396   | 1         | NUT FOR BULKHEAD FITTING       |
| 260444   | 1         | FUSE 8 AMP.                    |
| 261050   | 1         | SWITCH                         |
| 261089   | 1         | KNOB FOR ADJ.CONT.261050       |
| 261505   | 1         | CABLE 2X4MM L8000MM            |
| 283770   | 1         | SEAL FELT F. FOAM MARKER COMP  |
| 284264   | 1         | COVER FOR COMPRESSOR           |
| 284341   | 1         | CONNECTING ROD F.COMPRESSOR    |
| 320073   | 1         | DISTRIBUTOR HOUSING 1/2"       |
| 320084   | 1         | FITT.DK NUT 1/2" BSP           |
| 320106   | 1         | FITT.DK CAPNUT 1" BSP          |
| 320187   | 1         | FITT.DK CAP 3/8" BSP BLACK     |
| 320445   | 1         | FITT.DK HN 1/4"X3/8" BSP       |
| 322072   | 1         | FITT.DK TEE 3/8'X3/8'X3/8' BSP |
| 330013   | 1         | O-RING D15/D10X2.5 F.3/8"NUT   |
| 330212   | 1         | O-RING D19/D14X2.4 F.1/2"NUT   |
| 330293   | 1         | VALVE SEAT WITH 3/8" HOSE TAIL |
| 330315   | 1         | O-RING D18.4/D13X.6            |
| 330326   | 1         | O-RING D30/D24X2 F.1"NUT       |
| 330337   | 1         | HANDLE F. FLIP VALVE           |
| 330676   | 1         | FITT.DK HB 3/8" F. 1/2" NUT    |
| 330783   | 1         | FITT.DK HB 3/8"F.3/8" NUT      |
| 410627   | 1         | SCREW M4X12                    |
| 440285   | 1         | SCREW 3.5X6.5 DIN7981C SS      |
| 450980   | 1         | SCREW F.VALVE PLATE            |
| 460364   | 1         | NUT HEX M8 GALV.               |
| 470643   | 1         | WASHER LOCK                    |
| 614550   | 1         | BRUSH KIT F. COMPRESSOR        |
| 633581   | 1         | CONTROL BOX FOR FOAM MARKER    |
| 709741   | 1         | VALVE ASSY. 1/2" FLIP LEVER    |
| 717743   | 1         | THROTTLE VALVE FOR FOAM MARKER |
| 717824   | 1         | CONTROL BOX MOUNTED            |
| 718911   | 1         | VALVE (SAFETY) F.MARKER        |
| 28029803 | 1         | CLAMP HOSE GEAR P1/2" 6708     |
| 92701703 | 1         | HOSE R X3/8" X300PSI WP X0012" |





# G330



FOAM MARKER COMPRESSOR POST 92  
G330-HIN, 24:07:14

Page 1

Date 06.04.2015 10:38

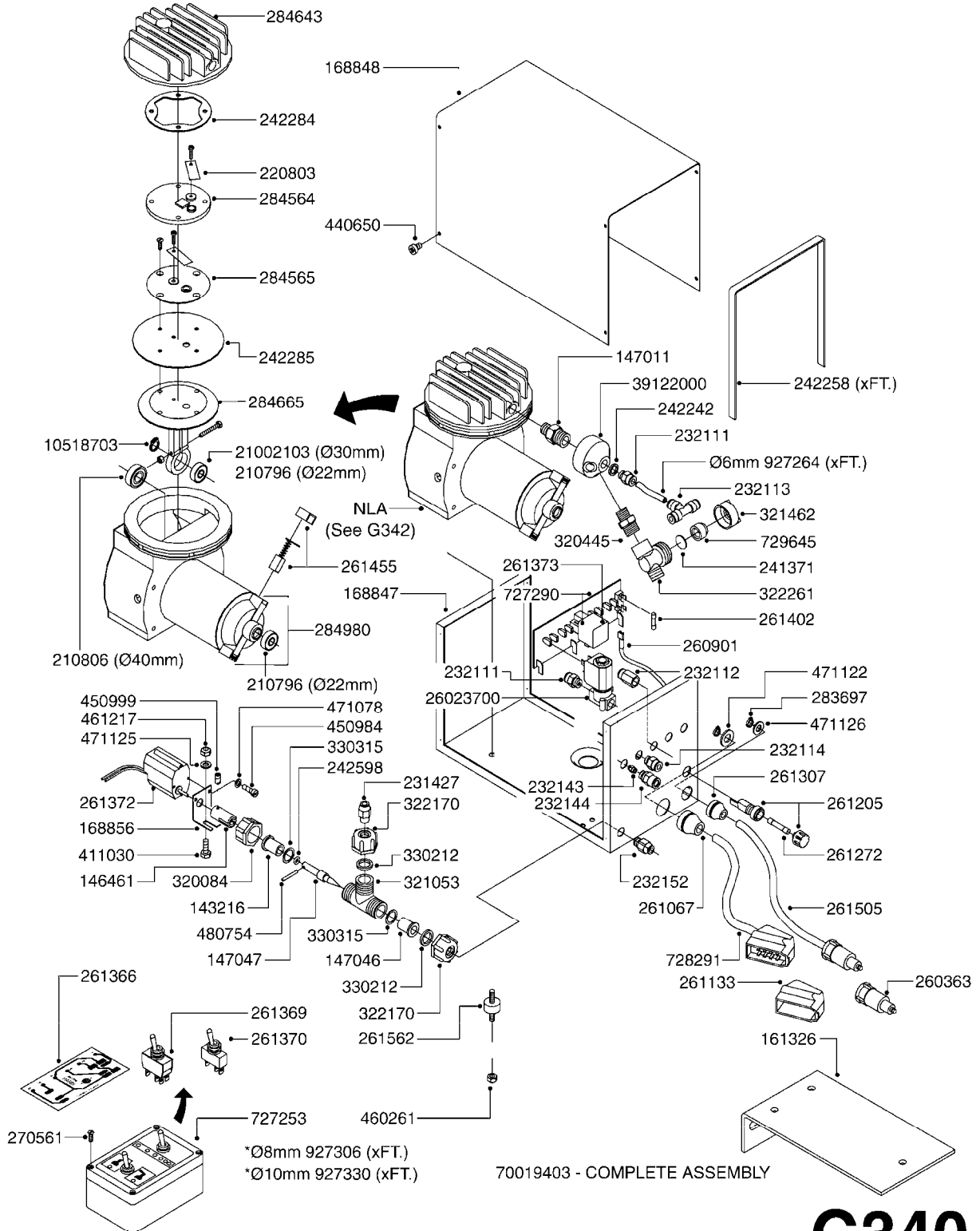
| parts-n° | order qty | description                    |
|----------|-----------|--------------------------------|
| 143216   | 1         | BUSHING THREAD F.FOAM MARKER   |
| 146461   | 1         | COUPLER F.THROTTLE VALVE       |
| 147011   | 1         | HEX NIPPLE 3/8'X1/4' BSP BRASS |
| 147046   | 1         | SEAT FOR THROTTLE VALVE        |
| 147047   | 1         | SPINDLE FOR THROTTLE VALVE     |
| 161326   | 1         | MOUNT BKT. F. FOAM COMP.BOX 98 |
| 168847   | 1         | ENCLOSURE LOWER F.MARKER       |
| 168848   | 1         | COVER F. FOAM MARKER           |
| 168856   | 1         | MOUNT FOR GEAR MOTOR           |
| 210796   | 1         | BEARING BALL D22/D8 X 7 608ZZ  |
| 210806   | 1         | BEARING BALL D40/D17X12MM      |
| 220803   | 1         | VALVE F. COMPRESSOR            |
| 231427   | 1         | COUPLER 1/8'THREAD X6MM HOSE   |
| 232111   | 1         | QUICK COUPLER 6MM X 1/8 EXT.   |
| 232112   | 1         | QUICK COUPLER 6MM 1/8 INT.     |
| 232113   | 1         | QUICK COUPLER 6MM T-PIECE      |
| 232114   | 1         | COUPLER 1/8" THREADX8MM HOSE   |
| 241371   | 1         | DIAPHRAGM, NO-DRIP alt 241371  |
| 242235   | 1         | COVER F.FOAMER AIR FILTER      |
| 242242   | 1         | O-RING F.AIR HOSE FITTING      |
| 242258   | 1         | TRIM 3X10 SELF ADHESIVE 0012"  |
| 242284   | 1         | HEAD GASKET F. COMPRESSOR      |
| 242285   | 1         | DIAPHRAGM F. F/M COMP.         |
| 242598   | 1         | O-RING D7.0 X 2.5 NITRIL       |
| 260363   | 1         | PLUG 2 POLE 12V                |
| 260901   | 1         | SPADE F.ELEC CONN.1.5MM BLUE   |
| 261067   | 1         | GROMMET 10-14 GREY             |
| 261133   | 1         | PLUG HOUSING F.8 POLE PLUG     |
| 261205   | 1         | FUSE HOLDER                    |
| 261272   | 1         | FUSE 10A D6X32 MM              |
| 261307   | 1         | GROMMET 7-10 BLACK             |
| 261366   | 1         | CIRCUIT BOARD F.F/M CONTROL    |
| 261369   | 1         | SWITCH 2 WAY 12V SPRING RETURN |
| 261370   | 1         | SWITCH 2 WAY 12V               |
| 261372   | 1         | GEAR MOTOR BOSCH 13RPM         |
| 261373   | 1         | RELAY 12V/30W                  |
| 261402   | 1         | FUSE 3.15A SLOW BURN           |
| 261455   | 1         | BRUSH KIT-FOAM MARKER MOTOR    |
| 261505   | 1         | CABLE 2X4MM L8000MM            |
| 261562   | 1         | RUBBER DAMPER 2XM6X25          |
| 270561   | 1         | SCREW W/SPRING ASSY. (QTY 1)   |
| 283697   | 1         | TIESTRAP 200MM                 |
| 284357   | 1         | FILTER F.FOAM MARKER           |
| 284564   | 1         | PLATE F.COMPRESSOR HEAD        |
| 284565   | 1         | PLATE F.COMPRESSOR HEAD        |
| 284643   | 1         | COMPRESSOR HEAD F.FOAM MARKER  |
| 284665   | 1         | CONNECTING ROD F.COMPRESSOR    |
| 320084   | 1         | FITT.DK NUT 1/2" BSP           |
| 320327   | 1         | HOUSING F. SUCTION AIR BOTTLE  |
| 320445   | 1         | FITT.DK HN 1/4"X3/8" BSP       |
| 321053   | 1         | FITT.DK TEE 1/2 X1/2 X1/2" BSP |
| 321307   | 1         | FITT.DK NUT 1/2" BSP JAMB      |
| 321462   | 1         | CAP F.NO-DRIP ASSY.            |
| 321532   | 1         | FITT.DK REDUC 3/4' X 1/2' BSP  |
| 322170   | 1         | FITT.DK NUT 1/2"x 1/8"F BSP    |
| 322179   | 1         | FITT.DK BULKHEAD 1/2' BSP      |
| 322261   | 1         | HOUSING F.SAFETY VALVE 3/8"    |
| 330212   | 1         | O-RING D19/D14X2.4 F.1/2"NUT   |
| 330315   | 1         | O-RING D18.4/D13X.6            |
| 332592   | 1         | O-RING D26/D20X3               |
| 411030   | 1         | BOLT HEX M5X10                 |



FOAM MARKER COMPRESSOR POST 92  
G330-HIN, 24:07:14

Page 2  
Date 06.04.2015 10:38

| parts-n° | order qty | description                    |
|----------|-----------|--------------------------------|
| 440650   | 1         | SCREW 3.5x13 STAINLESS         |
| 450984   | 1         | BOLT HEX M2.5X8 SLOTTED        |
| 450999   | 1         | SCREW SET M3X8                 |
| 460261   | 1         | NUT HEX M6X1 LOCK A2 DIN985    |
| 461217   | 1         | NUT HEX M5 LOCK                |
| 471078   | 1         | WASHER D2.7/D5                 |
| 471122   | 1         | WASHER D20/D10.5X2 SS          |
| 471125   | 1         | WASHER M6U D12/D6.4x1.6 SS A2  |
| 471126   | 1         | WASHER D16/D8.4X1.6 SS         |
| 480754   | 1         | PIN D2 X 16                    |
| 727253   | 1         | CONTROL BOX FOR FOAM MARKER    |
| 727290   | 1         | CIRCUIT BOARD F. F-M W. RELAY  |
| 727292   | 1         | BOX WITH COMP.FOR FOAM MARKER  |
| 727338   | 1         | AIR FILTER FOR FOAM MARKER     |
| 728291   | 1         | CABLE 7x.5 L8000MM+8 POL.CONN. |
| 729645   | 1         | NON-DRIP SPRING ASSY.GREEN 10  |
| 927264   | 1         | HOSE R X PE D6/D4 X 0012"      |
| 927306   | 1         | HOSE R X PE D8/D6 X 0012"BLACK |
| 978292   | 1         | DECAL CONTROL BOX HARDI FOAMER |
| 10518703 | 1         | SNAP-RING OUTER 8X1            |
| 26023700 | 1         | SOLENOID VAL 12V 1/8' FLO '07  |
| 28047203 | 1         | CLAMP HOSE GEAR 60 X 80 6756   |
| 39122000 | 1         | DISTR.HOUSING F.FOAM MARKER'07 |



**G340**



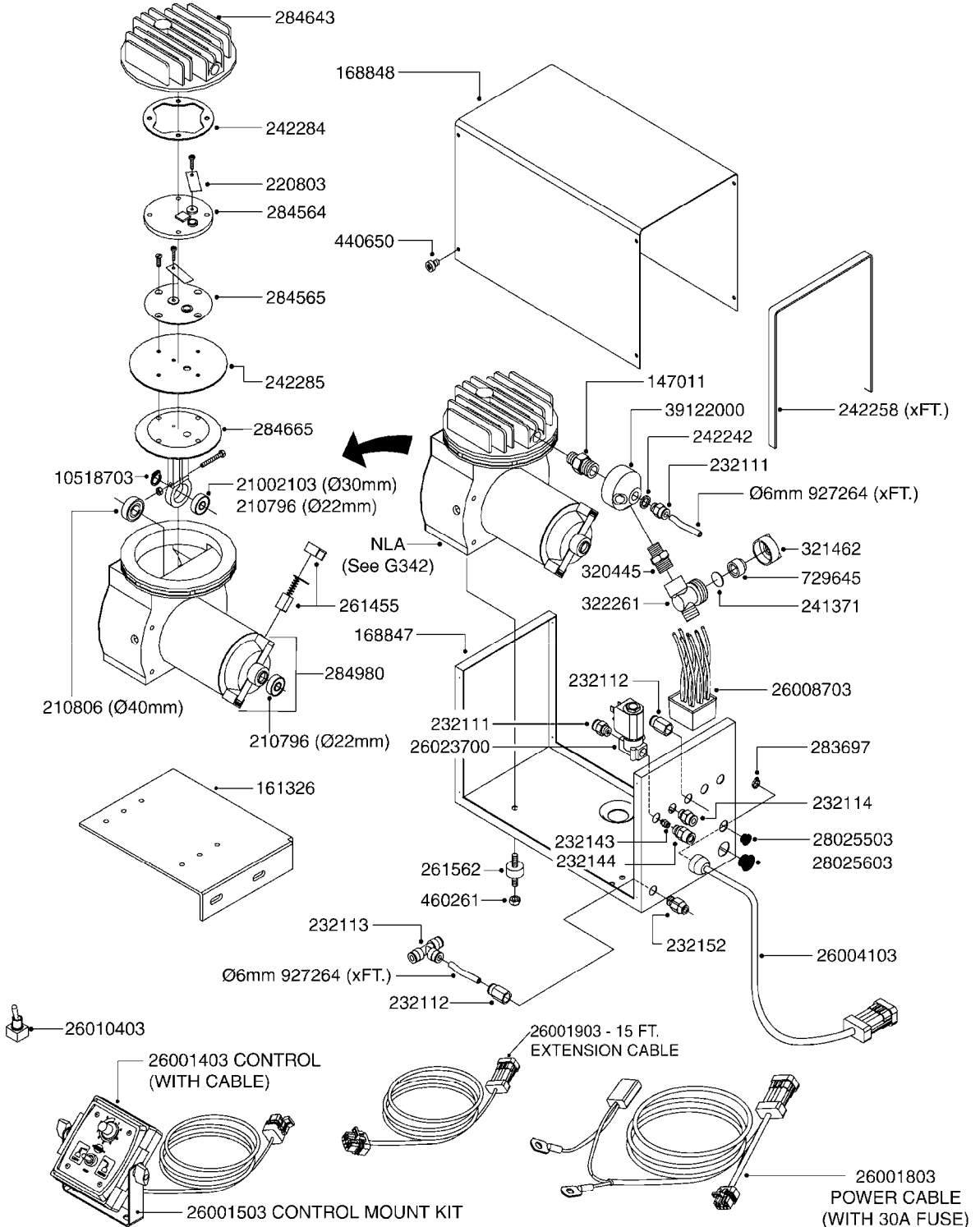
| parts-n° | order qty | description                    |
|----------|-----------|--------------------------------|
| 143216   | 1         | BUSHING THREAD F.FOAM MARKER   |
| 146461   | 1         | COUPLER F.THROTTLE VALVE       |
| 147011   | 1         | HEX NIPPLE 3/8'X1/4'BSP BRASS  |
| 147046   | 1         | SEAT FOR THROTTLE VALVE        |
| 147047   | 1         | SPINDLE FOR THROTTLE VALVE     |
| 161326   | 1         | MOUNT BKT. F. FOAM COMP.BOX 98 |
| 168847   | 1         | ENCLOSURE LOWER F.MARKER       |
| 168848   | 1         | COVER F. FOAM MARKER           |
| 168856   | 1         | MOUNT FOR GEAR MOTOR           |
| 210796   | 1         | BEARING BALL D22/D8 X 7 608ZZ  |
| 210806   | 1         | BEARING BALL D40/D17X12MM      |
| 220803   | 1         | VALVE F. COMPRESSOR            |
| 231427   | 1         | COUPLER 1/8'THREAD X6MM HOSE   |
| 232111   | 1         | QUICK COUPLER 6MM X 1/8 EXT.   |
| 232112   | 1         | QUICK COUPLER 6MM 1/8 INT.     |
| 232113   | 1         | QUICK COUPLER 6MM T-PIECE      |
| 232114   | 1         | COUPLER 1/8" THREADX8MM HOSE   |
| 232143   | 1         | REDUCER 1/4'INT-1/8'EXT        |
| 232144   | 1         | QUICK COUPLER 10MM X 1/4 EXT   |
| 232152   | 1         | QUICK COUPLER 8MMX1/8 EXT.LONG |
| 241371   | 1         | DIAPHRAGM, NO-DRIP alt 241371  |
| 242242   | 1         | O-RING F.AIR HOSE FITTING      |
| 242258   | 1         | TRIM 3X10 SELF ADHESIVE 0012"  |
| 242284   | 1         | HEAD GASKET F. COMPRESSOR      |
| 242285   | 1         | DIAPHRAGM F. F/M COMP.         |
| 242598   | 1         | O-RING D7.0 X 2.5 NITRIL       |
| 260363   | 1         | PLUG 2 POLE 12V                |
| 260901   | 1         | SPADE F.ELEC CONN.1.5MM BLUE   |
| 261067   | 1         | GROMMET 10-14 GREY             |
| 261133   | 1         | PLUG HOUSING F.8 POLE PLUG     |
| 261205   | 1         | FUSE HOLDER                    |
| 261272   | 1         | FUSE 10A D6X32 MM              |
| 261307   | 1         | GROMMET 7-10 BLACK             |
| 261366   | 1         | CIRCUIT BOARD F.F/M CONTROL    |
| 261369   | 1         | SWITCH 2 WAY 12V SPRING RETURN |
| 261370   | 1         | SWITCH 2 WAY 12V               |
| 261372   | 1         | GEAR MOTOR BOSCH 13RPM         |
| 261373   | 1         | RELAY 12V/30W                  |
| 261402   | 1         | FUSE 3.15A SLOW BURN           |
| 261455   | 1         | BRUSH KIT-FOAM MARKER MOTOR    |
| 261505   | 1         | CABLE 2X4MM L8000MM            |
| 261562   | 1         | RUBBER DAMPER 2XM6X25          |
| 270561   | 1         | SCREW W/SPRING ASSY. (QTY 1)   |
| 283697   | 1         | TIESTRAP 200MM                 |
| 284564   | 1         | PLATE F.COMPRESSOR HEAD        |
| 284565   | 1         | PLATE F.COMPRESSOR HEAD        |
| 284643   | 1         | COMPRESSOR HEAD F.FOAM MARKER  |
| 284665   | 1         | CONNECTING ROD F.COMPRESSOR    |
| 284980   | 1         | FLANGE REAR F. F.M.COMPRESSOR  |
| 320084   | 1         | FITT.DK NUT 1/2" BSP           |
| 320445   | 1         | FITT.DK HN 1/4"X3/8" BSP       |
| 321053   | 1         | FITT.DK TEE 1/2 X1/2 X1/2" BSP |
| 321462   | 1         | CAP F.NO-DRIP ASSY.            |
| 322170   | 1         | FITT.DK NUT 1/2"x 1/8"F BSP    |
| 322261   | 1         | HOUSING F.SAFETY VALVE 3/8"    |
| 330212   | 1         | O-RING D19/D14X2.4 F.1/2"NUT   |
| 330315   | 1         | O-RING D18.4/D13X.6            |
| 411030   | 1         | BOLT HEX M5X10                 |
| 440650   | 1         | SCREW 3.5x13 STAINLESS         |
| 450984   | 1         | BOLT HEX M2.5X8 SLOTTED        |
| 450999   | 1         | SCREW SET M3X8                 |



FOAM MARKER COMPRESSOR POST 94  
G340-HIN, 30:07:14

Page 2  
Date 06.04.2015 10:38

| parts-n° | order qty | description                    |
|----------|-----------|--------------------------------|
| 460261   | 1         | NUT HEX M6X1 LOCK A2 DIN985    |
| 461217   | 1         | NUT HEX M5 LOCK                |
| 471078   | 1         | WASHER D2.7/D5                 |
| 471122   | 1         | WASHER D20/D10.5X2 SS          |
| 471125   | 1         | WASHER M6U D12/D6.4x1.6 SS A2  |
| 471126   | 1         | WASHER D16/D8.4X1.6 SS         |
| 480754   | 1         | PIN D2 X 16                    |
| 727253   | 1         | CONTROL BOX FOR FOAM MARKER    |
| 727290   | 1         | CIRCUIT BOARD F. F-M W. RELAY  |
| 728291   | 1         | CABLE 7x.5 L8000MM+8 POL.CONN. |
| 729645   | 1         | NON-DRIP SPRING ASSY.GREEN 10  |
| 927264   | 1         | HOSE R X PE D6/D4 X 0012"      |
| 927306   | 1         | HOSE R X PE D8/D6 X 0012"BLACK |
| 927330   | 1         | HOSE R X PE D10/D8 X 012"BLACK |
| 10518703 | 1         | SNAP-RING OUTER 8X1            |
| 21002103 | 1         | BEARING, 6200 2ZJEM (SKF)      |
| 26023700 | 1         | SOLENOID VAL 12V 1/8' FLO '07  |
| 39122000 | 1         | DISTR.HOUSING F.FOAM MARKER'07 |
| 70019403 | 1         | FOAM MARKER COMPRESSOR KIT STD |



# G341

\*Ø8mm 927306 (xFT.)  
\*Ø10mm 927330 (xFT.)

70019403 - COMPLETE ASSEMBLY

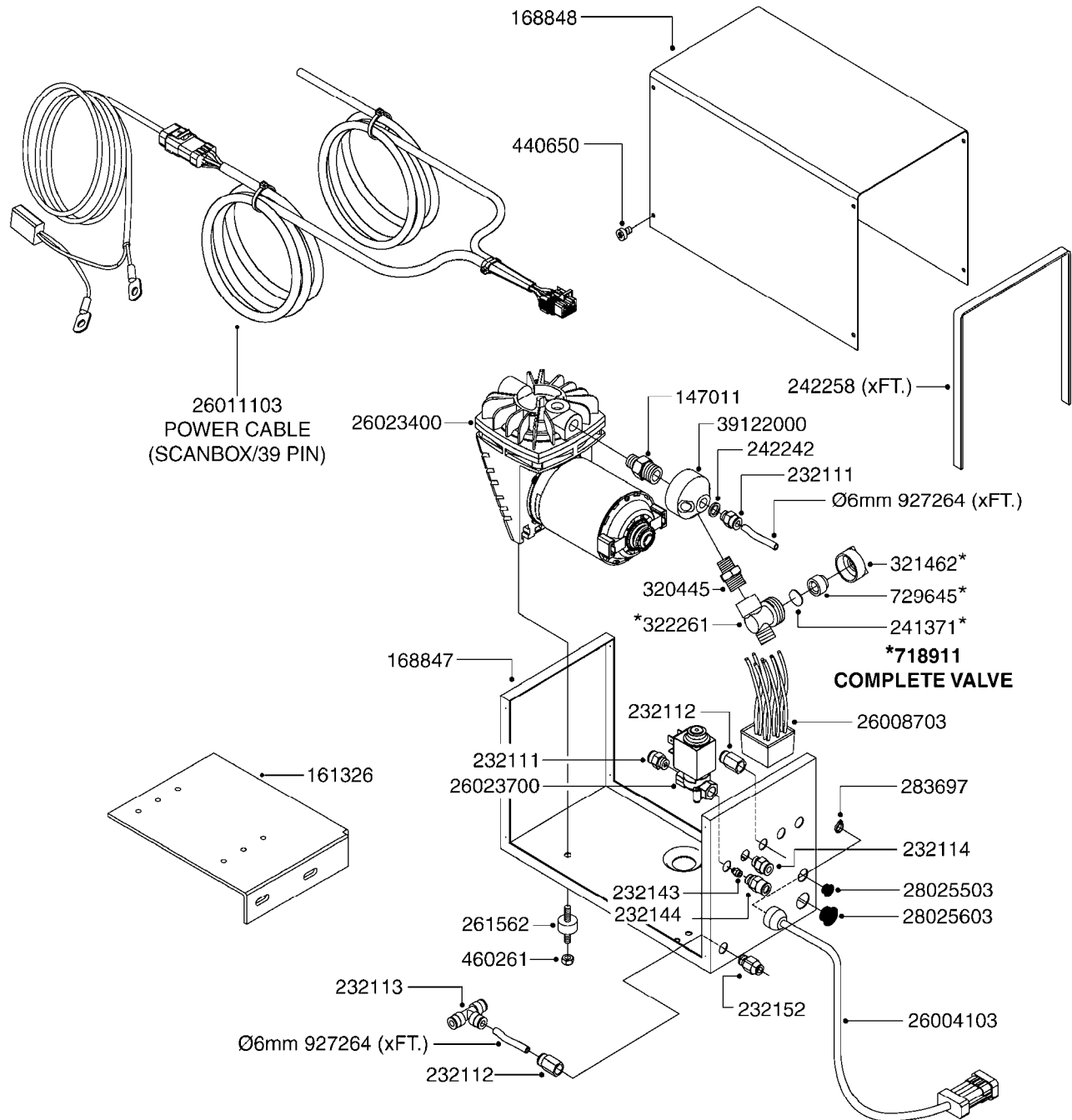


FOAM MARKER COMPRESSOR 2002  
G341-HIN, 27:05:10

Page 1  
Date 06.04.2015 10:38

| parts-n° | order qty | description                    |
|----------|-----------|--------------------------------|
| 147011   | 1         | HEX NIPPLE 3/8'X1/4'BSP BRASS  |
| 161326   | 1         | MOUNT BKT. F. FOAM COMP.BOX 98 |
| 168847   | 1         | ENCLOSURE LOWER F.MARKER       |
| 168848   | 1         | COVER F. FOAM MARKER           |
| 210796   | 1         | BEARING BALL D22/D8 X 7 608ZZ  |
| 210806   | 1         | BEARING BALL D40/D17X12MM      |
| 220803   | 1         | VALVE F. COMPRESSOR            |
| 232111   | 1         | QUICK COUPLER 6MM X 1/8 EXT.   |
| 232112   | 1         | QUICK COUPLER 6MM 1/8 INT.     |
| 232113   | 1         | QUICK COUPLER 6MM T-PIECE      |
| 232114   | 1         | COUPLER 1/8" THREADX8MM HOSE   |
| 232143   | 1         | REDUCER 1/4'INT-1/8'EXT        |
| 232144   | 1         | QUICK COUPLER 10MM X 1/4 EXT   |
| 232152   | 1         | QUICK COUPLER 8MMX1/8 EXT.LONG |
| 241371   | 1         | DIAPHRAGM, NO-DRIP alt 241371  |
| 242242   | 1         | O-RING F.AIR HOSE FITTING      |
| 242258   | 1         | TRIM 3X10 SELF ADHESIVE 0012"  |
| 242284   | 1         | HEAD GASKET F. COMPRESSOR      |
| 242285   | 1         | DIAPHRAGM F. F/M COMP.         |
| 261455   | 1         | BRUSH KIT-FOAM MARKER MOTOR    |
| 261562   | 1         | RUBBER DAMPER 2XM6X25          |
| 283697   | 1         | TIESTRAP 200MM                 |
| 284564   | 1         | PLATE F.COMPRESSOR HEAD        |
| 284565   | 1         | PLATE F.COMPRESSOR HEAD        |
| 284643   | 1         | COMPRESSOR HEAD F.FOAM MARKER  |
| 284665   | 1         | CONNECTING ROD F.COMPRESSOR    |
| 284980   | 1         | FLANGE REAR F. F.M.COMPRESSOR  |
| 320445   | 1         | FITT.DK HN 1/4"X3/8" BSP       |
| 321462   | 1         | CAP F.NO-DRIP ASSY.            |
| 322261   | 1         | HOUSING F.SAFETY VALVE 3/8"    |
| 440650   | 1         | SCREW 3.5x13 STAINLESS         |
| 460261   | 1         | NUT HEX M6X1 LOCK A2 DIN985    |
| 729645   | 1         | NON-DRIP SPRING ASSY.GREEN 10  |
| 927264   | 1         | HOSE R X PE D6/D4 X 0012"      |
| 927306   | 1         | HOSE R X PE D8/D6 X 0012"BLACK |
| 927330   | 1         | HOSE R X PE D10/D8 X 012"BLACK |
| 10518703 | 1         | SNAP-RING OUTER 8X1            |
| 21002103 | 1         | BEARING, 6200 2ZJEM (SKF)      |
| 26001403 | 1         | HC FOAM MARKR CONSOLE VS3.0.00 |
| 26001503 | 1         | HC FOAM MARKER CONSOLE MT.KIT  |
| 26001803 | 1         | POWER CABLE                    |
| 26001903 | 1         | 15' 7-PIN EXTENSION CABLE      |
| 26004103 | 1         | FOAM MARKER CNTRL MOD CABL STD |
| 26008703 | 1         | FOAM MARKER CONTROL SCII       |
| 26010403 | 1         | TOGGLE SWITCH MICRO-TRAK F.M.  |
| 26023700 | 1         | SOLENOID VAL 12V 1/8' FLO '07  |
| 28025503 | 1         | PLUG F.DRILLED HOLE 1/2"       |
| 28025603 | 1         | PLUG F.DRILLED HOLE 3/4"       |
| 39122000 | 1         | DISTR.HOUSING F.FOAM MARKER'07 |
| 70019403 | 1         | FOAM MARKER COMPRESSOR KIT STD |





# G342

\*Ø8mm 927306 (xFT.)  
\*Ø10mm 927330 (xFT.)

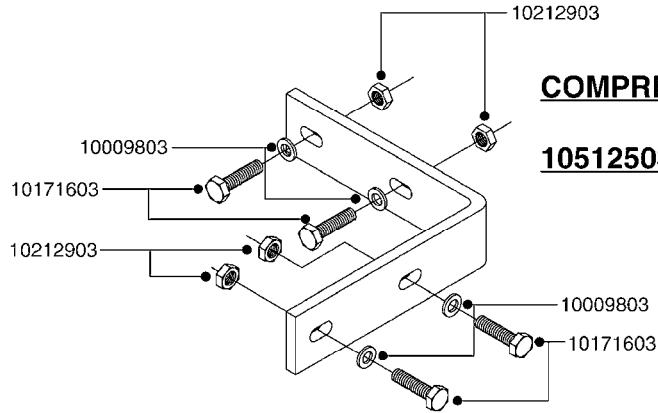
70062503 - COMPLETE ASSEMBLY



FOAM MARKER COMPRESSOR 2007  
G342-HIN, 21:04:14

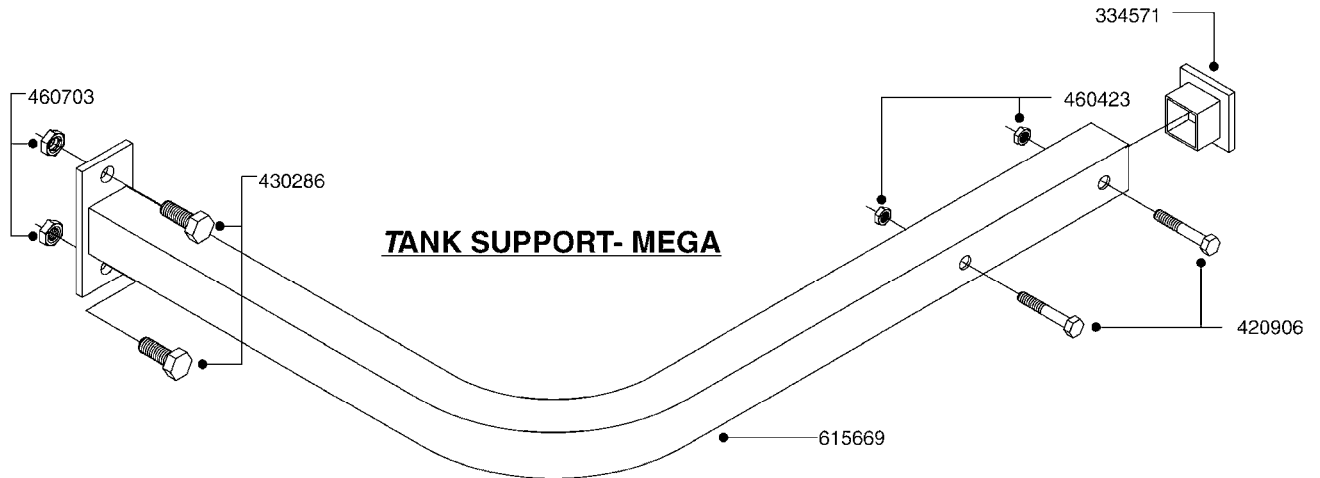
Page 1  
Date 06.04.2015 10:38

| parts-n° | order qty | description                    |
|----------|-----------|--------------------------------|
| 147011   | 1         | HEX NIPPLE 3/8'X1/4'BSP BRASS  |
| 161326   | 1         | MOUNT BKT. F. FOAM COMP.BOX 98 |
| 168847   | 1         | ENCLOSURE LOWER F.MARKER       |
| 168848   | 1         | COVER F. FOAM MARKER           |
| 232111   | 1         | QUICK COUPLER 6MM X 1/8 EXT.   |
| 232112   | 1         | QUICK COUPLER 6MM 1/8 INT.     |
| 232113   | 1         | QUICK COUPLER 6MM T-PIECE      |
| 232114   | 1         | COUPLER 1/8" THREADX8MM HOSE   |
| 232143   | 1         | REDUCER 1/4'INT-1/8'EXT        |
| 232144   | 1         | QUICK COUPLER 10MM X 1/4 EXT   |
| 232152   | 1         | QUICK COUPLER 8MMX1/8 EXT.LONG |
| 241371   | 1         | DIAPHRAGM, NO-DRIP alt 241371  |
| 242242   | 1         | O-RING F.AIR HOSE FITTING      |
| 242258   | 1         | TRIM 3X10 SELF ADHESIVE 0012"  |
| 261562   | 1         | RUBBER DAMPER 2XM6X25          |
| 283697   | 1         | TIESTRAP 200MM                 |
| 320445   | 1         | FITT.DK HN 1/4"X3/8" BSP       |
| 321462   | 1         | CAP F.NO-DRIP ASSY.            |
| 322261   | 1         | HOUSING F.SAFETY VALVE 3/8"    |
| 440650   | 1         | SCREW 3.5x13 STAINLESS         |
| 460261   | 1         | NUT HEX M6X1 LOCK A2 DIN985    |
| 718911   | 1         | VALVE (SAFETY) F.MARKER        |
| 729645   | 1         | NON-DRIP SPRING ASSY.GREEN 10  |
| 927264   | 1         | HOSE R X PE D6/D4 X 0012"      |
| 927306   | 1         | HOSE R X PE D8/D6 X 0012"BLACK |
| 927330   | 1         | HOSE R X PE D10/D8 X 012"BLACK |
| 26004103 | 1         | FOAM MARKER CNTRL MOD CABL STD |
| 26008703 | 1         | FOAM MARKER CONTROL SCII       |
| 26011103 | 1         | FOAMER POWER/CONTROL CABLE 39P |
| 26023400 | 1         | COMPRESSOR F.FOAM MARKER CM40  |
| 26023700 | 1         | SOLENOID VAL 12V 1/8' FLO '07  |
| 28025503 | 1         | PLUG F.DRILLED HOLE 1/2"       |
| 28025603 | 1         | PLUG F.DRILLED HOLE 3/4"       |
| 39122000 | 1         | DISTR.HOUSING F.FOAM MARKER'07 |
| 70062503 | 1         | FOAM MARKER COMPRESSOR,STD,39P |

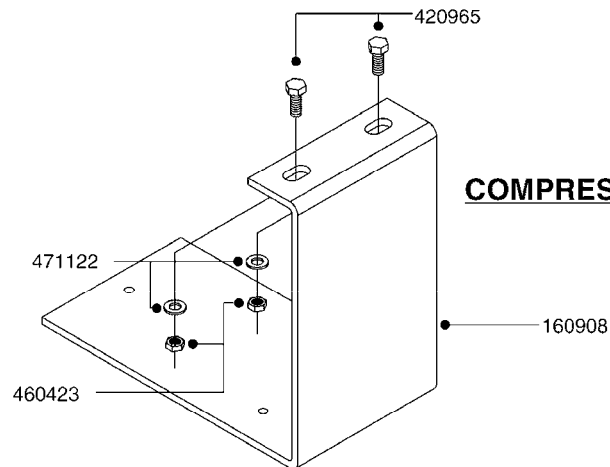


**COMPRESSOR MOUNT-NAVIGATOR**

**10512503-COMPLETE ASSEMBLY**



**TANK SUPPORT- MEGA**



**COMPRESSOR MOUNT- MEGA**

**G370**

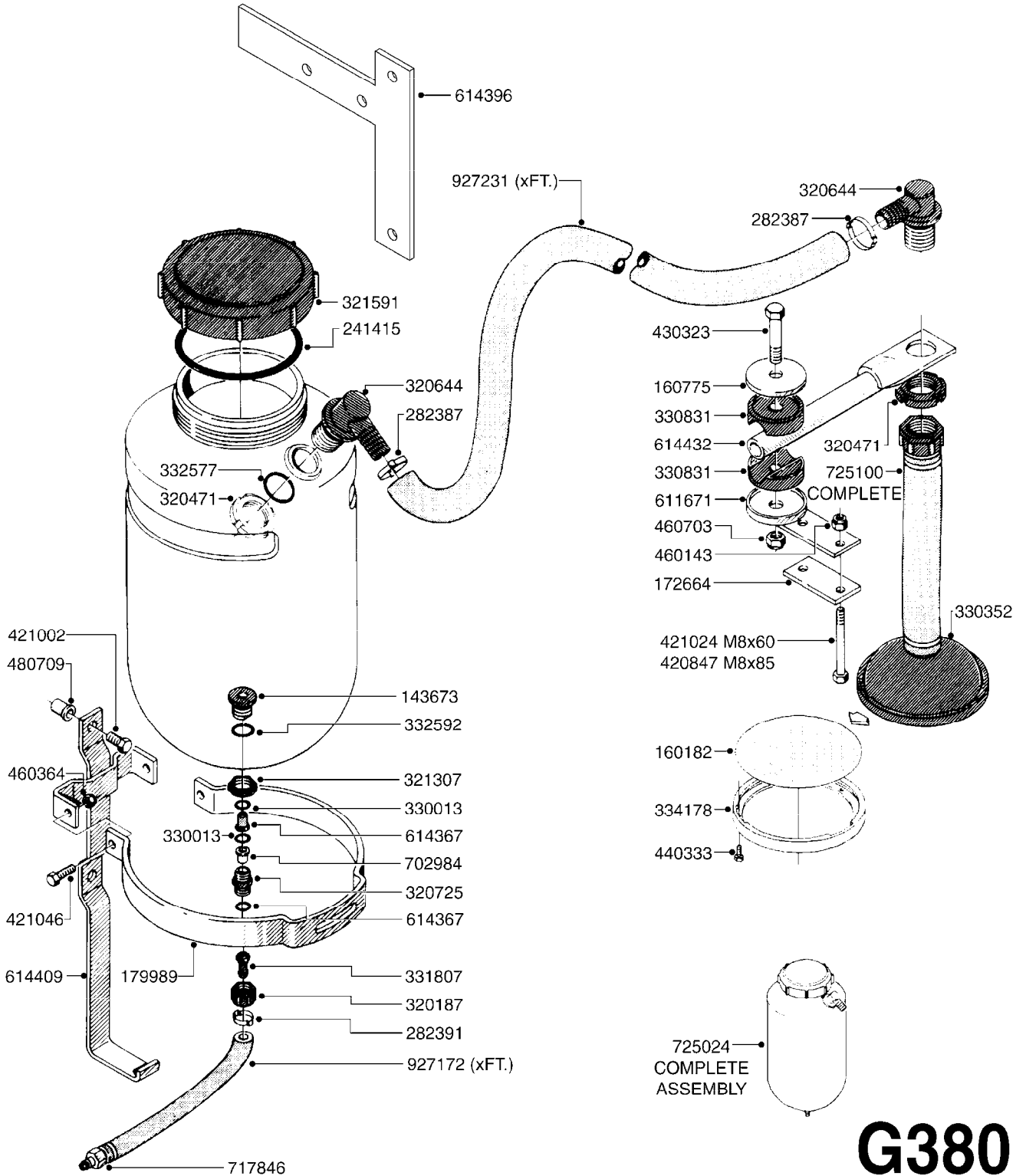


FOAM MARKER MOUNT BRACKETS  
G370-HIN, 01:01:01

Page 1

Date 06.04.2015 10:38

| parts-n° | order qty | description                    |
|----------|-----------|--------------------------------|
| 10009803 | 1         | WASHER PLATE 3/8"              |
| 10171603 | 1         | BOLT HEX 3/8 NC GR.2 01.50"    |
| 10212903 | 1         | NUT HEX NC (NYLON LOCK) 3/8"   |
| 10512503 | 1         | FOAM MARKER MOUNT KIT          |
| 160908   | 1         | MOUNT BRACKET F. F.M.COMP.MEGA |
| 334571   | 1         | TAPON 40x40x2 EMBELLECEDOR     |
| 420906   | 1         | BOLT HEX 8.8 DEL M10X60        |
| 420965   | 1         | M10X40 MACHINE SCREW STAINLESS |
| 430286   | 1         | BOLT HEX 8.8 DEL M12X30 FT     |
| 460423   | 1         | NUT HEX M10X1.5 LOCK           |
| 460703   | 1         | NUT HEX M12X1.75 LOCK DIN985   |
| 471122   | 1         | WASHER D20/D10.5X2 SS          |
| 615669   | 1         | MT. BRACKET FOR F.M. TANK MEGA |



**G380**

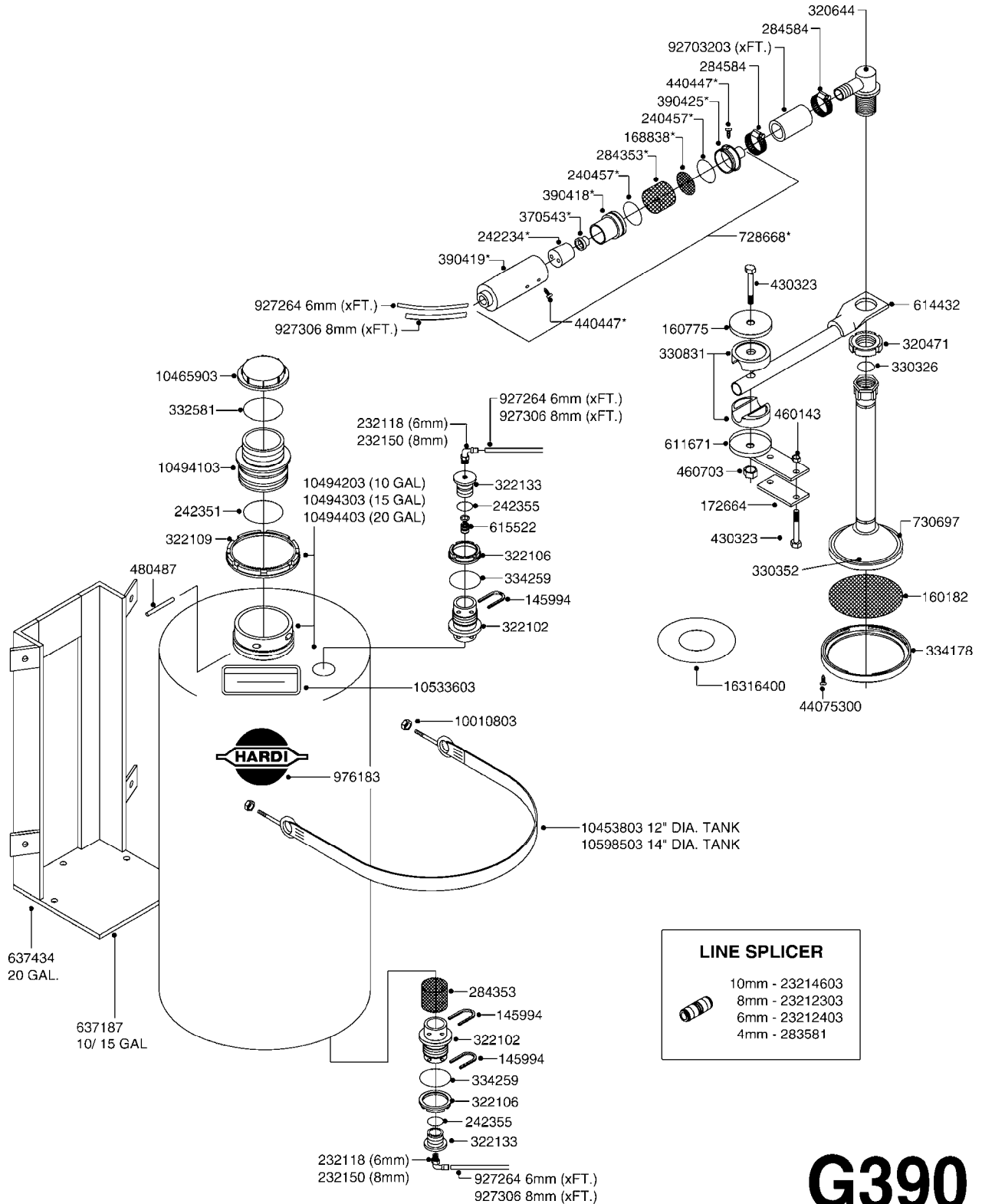


FOAM MARKER TANK/DROPPER PRE92  
G380-HIN, 01:01:01

Page 1

Date 06.04.2015 10:38

| parts-n° | order qty | description                         |
|----------|-----------|-------------------------------------|
| 143673   | 1         | NIPPLE FOR NON-RETURN VALVE         |
| 160182   | 1         | FILTER SCREEN                       |
| 160775   | 1         | WASHER F. FRICTION PLATE            |
| 172664   | 1         | FLATBAR BACKING PLATE               |
| 179989   | 1         | BRKT. F. 3 GAL. TANK                |
| 241415   | 1         | O-RING D117.5X5.33 NITRIL           |
| 282387   | 1         | SUBSTITUTE 284584                   |
| 282391   | 1         | CLAMP HOSE CRIMP 5/16'              |
| 320187   | 1         | FITT.DK CAP 3/8" BSP BLACK          |
| 320471   | 1         | FITT.DK NUT 1" BSP JAMB             |
| 320644   | 1         | FITT.DK ELB.3/4"HB X 1" BSP         |
| 320725   | 1         | FITT.DK NIPPLE 3/8"-3/8" BSP        |
| 321307   | 1         | FITT.DK NUT 1/2" BSP JAMB           |
| 321591   | 1         | LID 150MM NAV TK & FOAM MARKER      |
| 330013   | 1         | O-RING D15/D10X2.5 F.3/8"NUT        |
| 330352   | 1         | FOAM DROP HOUSING                   |
| 330831   | 1         | FRICTION PLATE                      |
| 331807   | 1         | FITT.DK HB 5/16" F.3/8" NUT         |
| 332577   | 1         | O-RING D38/D30X4 F.1" PUR.          |
| 332592   | 1         | O-RING D26/D20X3                    |
| 334178   | 1         | RETAINER FOR FOAM MARKER            |
| 420847   | 1         | BOLT HEX 8.8 DEL M8X85              |
| 421002   | 1         | BOLT HEX 8.8 DEL M10X30 FT DIN933   |
| 421024   | 1         | BOLT HEX 8.8 DEL M8X60              |
| 421046   | 1         | BOLT HEX 8.8 DEL M8X25 FT A2 DIN933 |
| 430323   | 1         | BOLT HEX 8.8 DEL M12X60             |
| 440333   | 1         | SCREW 3.5 X 9.5 SS                  |
| 460143   | 1         | NUT HEX M8 LOCK A2 DIN985           |
| 460364   | 1         | NUT HEX M8 GALV.                    |
| 460703   | 1         | NUT HEX M12X1.75 LOCK DIN985        |
| 480709   | 1         | SUBSTITUTE 147055                   |
| 611671   | 1         | BREAK AWAY HOLDER F-MARKER          |
| 614367   | 1         | FILTER 80 MESH F.NOZZLE RED         |
| 614396   | 1         | CLEAN WATER BRACKET MB              |
| 614409   | 1         | BRACKET FOR FOAM MARKER             |
| 614432   | 1         | BREAK AWAY ARM F. FOAM MARKER       |
| 702984   | 1         | ANTI-DRIP VALVE, COMPLETE           |
| 717846   | 1         | QUICK COUPL.MALE FOAM MARKER        |
| 725024   | 1         | TANK FOR FOAM MARKER                |
| 725100   | 1         | SUBSTITUTE TO 730697                |
| 927172   | 1         | SUBSTITUTE 927281                   |
| 927231   | 1         | HOSE R X PVCX3/4 CLR/BRD 0012"      |



# G390

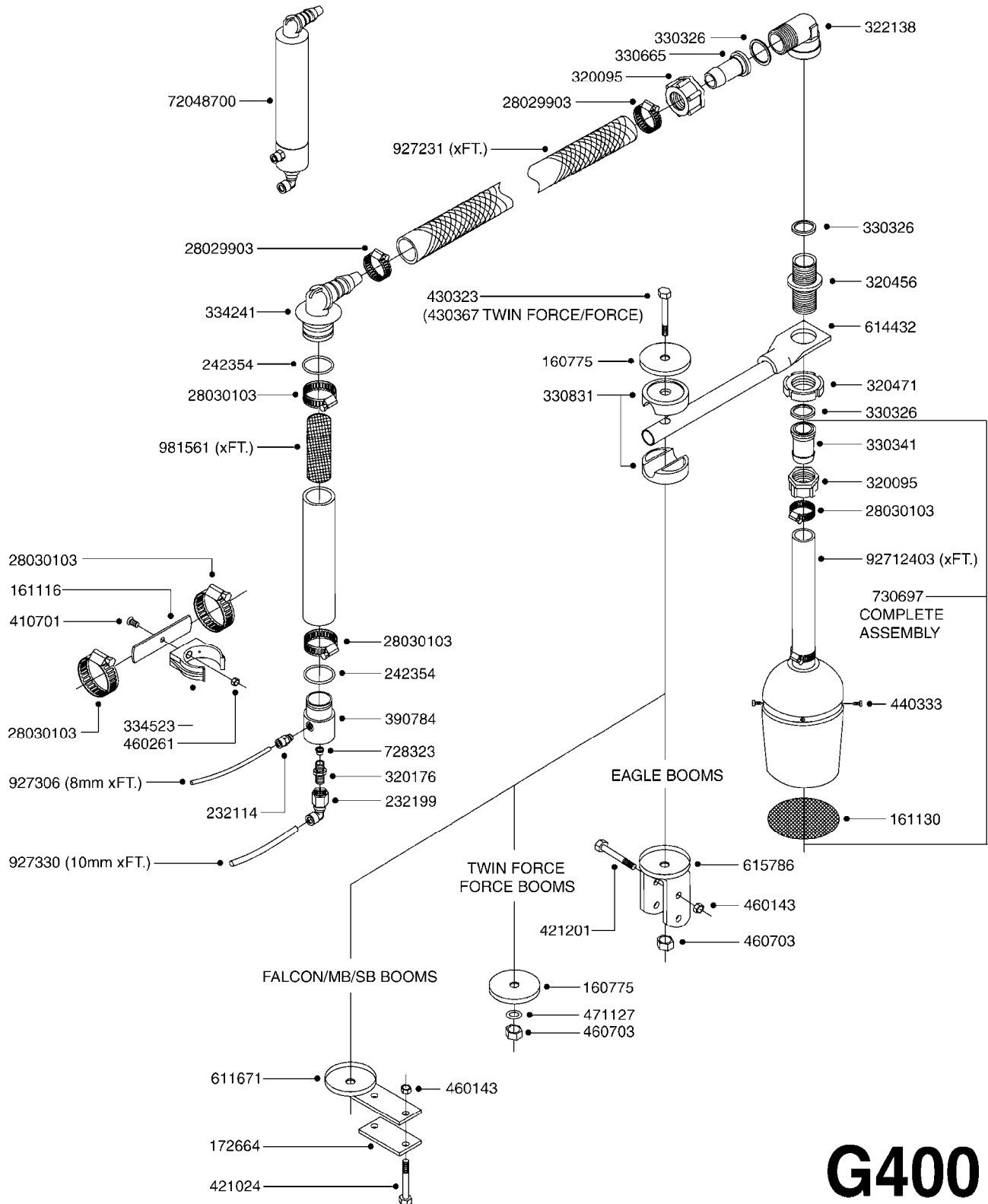


FOAMMARKER TANK/DROPPER POST93  
G390-HIN, 30:07:14

Page 1  
Date 06.04.2015 10:38

| parts-n° | order qty | description                    |
|----------|-----------|--------------------------------|
| 145994   | 1         | FITT.DK S-40 FORK              |
| 160182   | 1         | FILTER SCREEN                  |
| 160775   | 1         | WASHER F. FRICTION PLATE       |
| 168838   | 1         | FILTER SCREEN D40 FOR FOAM GEN |
| 172664   | 1         | FLATBAR BACKING PLATE          |
| 232118   | 1         | HOSE CONN. 90DEG 1/8'X 6MM PE  |
| 232150   | 1         | HOSE CONN. 90DEG. 1/8'X8MM PE  |
| 240457   | 1         | O-RING D40.2/D34X2             |
| 242234   | 1         | PLUG F.FOAM GENERATOR HOSES    |
| 242351   | 1         | O-RING D69.5X3.0 VITON F.S-93  |
| 242355   | 1         | O-RING D19.2X3.0 VITON F.S-40  |
| 283581   | 1         | HOSE CONNECTOR STR. F.4MM PE   |
| 284353   | 1         | SPONGE FOR FOAM MARKER         |
| 284584   | 1         | CLAMP HOSE GEAR 3/4" MINI 012  |
| 320471   | 1         | FITT.DK NUT 1" BSP JAMB        |
| 320644   | 1         | FITT.DK ELB.3/4"HB X 1" BSP    |
| 322102   | 1         | FITT.DK S-40 BULKHEAD          |
| 322106   | 1         | FITT.DK S-40 BULKHEAD NUT      |
| 322109   | 1         | FITT.DK S-93 BULKHEAD NUT      |
| 322133   | 1         | FITT.DK S-40 PLUG W 1/8 THREAD |
| 330326   | 1         | O-RING D30/D24X2 F.1"NUT       |
| 330352   | 1         | FOAM DROP HOUSING              |
| 330831   | 1         | FRICTION PLATE                 |
| 332581   | 1         | GASKET F. 1-1/2" BSP CAPNUT.   |
| 334178   | 1         | RETAINER FOR FOAM MARKER       |
| 334259   | 1         | GASKET F. S-40 BULKHEAD        |
| 370543   | 1         | NOZZLE FLAT FAN 4625-46        |
| 390418   | 1         | MIXING CHAMBER FOR FOAM MARKER |
| 390419   | 1         | HOUSING F. MIXING CHAMBER      |
| 390425   | 1         | END PIECE FOR MIXING CHAMBER   |
| 430323   | 1         | BOLT HEX 8.8 DEL M12X60        |
| 440447   | 1         | SCREW M4.2X9.5                 |
| 460143   | 1         | NUT HEX M8 LOCK A2 DIN985      |
| 460703   | 1         | NUT HEX M12X1.75 LOCK DIN985   |
| 480487   | 1         | PIN M5X60 SLOTTED GALV         |
| 611671   | 1         | BREAK AWAY HOLDER F-MARKER     |
| 614432   | 1         | BREAK AWAY ARM F. FOAM MARKER  |
| 615522   | 1         | CHECK VALVE F.FOAM MARKER      |
| 637187   | 1         | MOUNT BKT F.FOAM TANK 10/15GAL |
| 637434   | 1         | MOUNT BRACKET F.FOAM TANK 20G  |
| 728668   | 1         | FOAM GENERATOR ASSY.           |
| 730697   | 1         | FOAM DROPPER COMP. BLACK '97   |
| 927264   | 1         | HOSE R X PE D6/D4 X 0012"      |
| 927306   | 1         | HOSE R X PE D8/D6 X 0012"BLACK |
| 976183   | 1         | DECAL COMPANY 185 X 300        |
| 10010803 | 1         | NUT HEX NC (NYLON LOCK) 5/16   |
| 10453803 | 1         | STRAP F.FOAMER TANK (755mm)    |
| 10465903 | 1         | *LID F.FOAM MARKER, DRILLED    |
| 10494103 | 1         | FILL WELL ASSY.FOAM MARK EPOXY |
| 10494203 | 1         | TANK ASSY. 10 GAL. D14' F/M    |
| 10494303 | 1         | TANK ASSY. 15 GAL. D14' F/M    |
| 10494403 | 1         | *TANK ASSY. 20 GAL. D14' F/M   |
| 10533603 | 1         | DECAL CAUTION-OPEN SLOWLY ENG  |
| 10598503 | 1         | STRAP F.FOAMER TANK (850mm)    |
| 16316400 | 1         | ORIFICE ID 70MM F.FOAM MARKER  |
| 23212303 | 1         | HOSE CONNECTOR STR. F.8MM PE   |
| 23212403 | 1         | HOSE CONNECTOR STR. F.6MM PE   |
| 23214603 | 1         | HOSE CONNECTOR STR. F. 10MM PE |
| 44075300 | 1         | SCREW 3.5X9.5SS/X15 ISO 14585C |
| 92703203 | 1         | HOSE R X3/4" X300PSI WP X0012" |





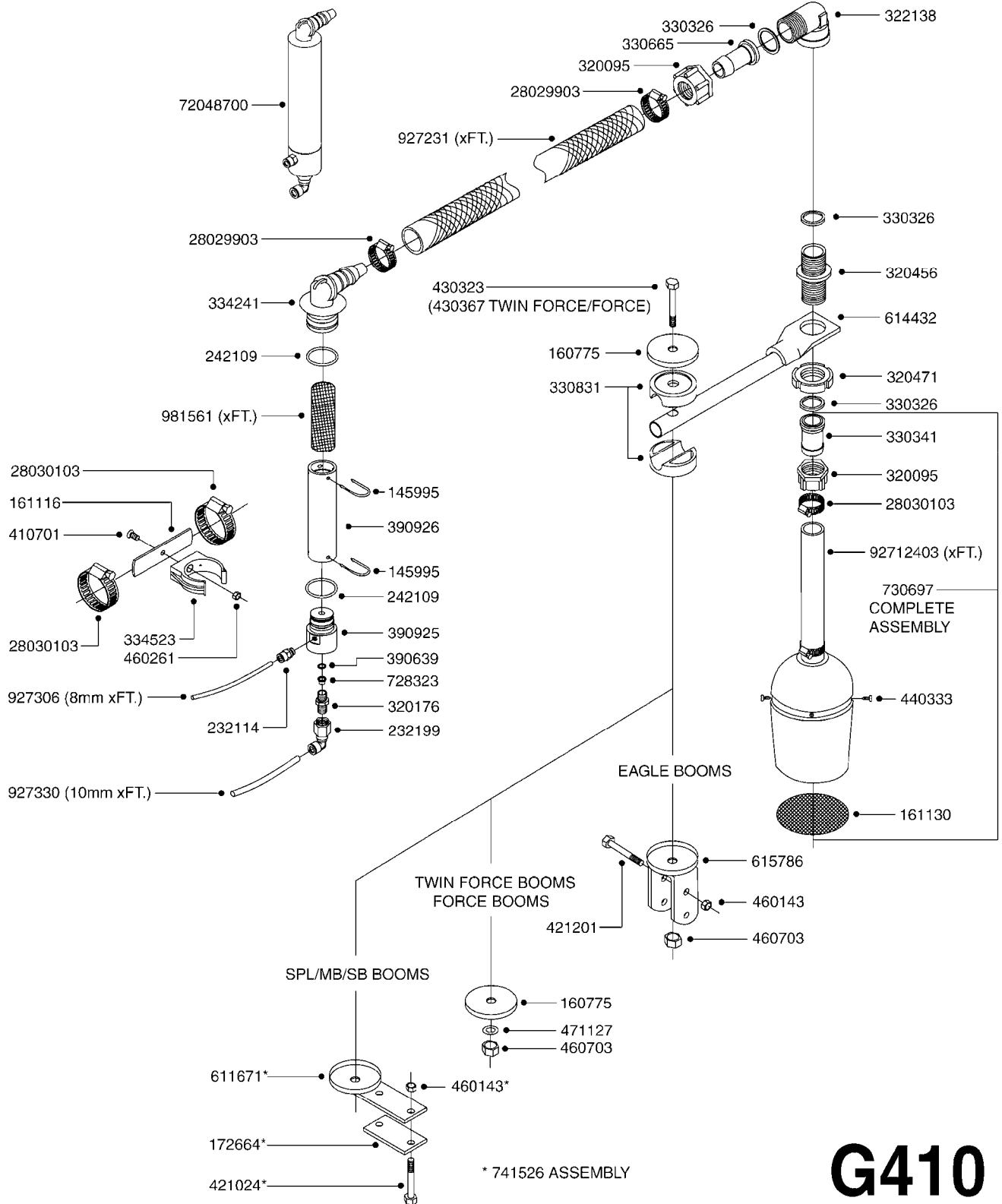
# G400



FOAM MARKER DROPPER UPDATE 98  
G400-HIN, 21:06:11

Page 1  
Date 06.04.2015 10:38

| parts-n° | order qty | description                     |
|----------|-----------|---------------------------------|
| 160775   | 1         | WASHER F. FRICTION PLATE        |
| 161116   | 1         | FLATBAR PLATE 3 X 25 X 110      |
| 161130   | 1         | FILTER SCREEN F/FOAM DROPPER    |
| 172664   | 1         | FLATBAR BACKING PLATE           |
| 232114   | 1         | COUPLER 1/8" THREADX8MM HOSE    |
| 232199   | 1         | COUPLER 3/8' BSP-90/10MM HOSE   |
| 242354   | 1         | O-RING D32.2X3.0 VITON F.S-53   |
| 320095   | 1         | FITT.DK NUT 1" BSP              |
| 320176   | 1         | FITT.DK HN 3/8"X1/2" BSP        |
| 320456   | 1         | FITT.DK BULKHEAD 1"BSP DOUBLE   |
| 320471   | 1         | FITT.DK NUT 1" BSP JAMB         |
| 322138   | 1         | FITT.DK ELB 1"M X 1"F BSP       |
| 330326   | 1         | O-RING D30/D24X2 F.1"NUT        |
| 330341   | 1         | FITT.DK HB 1" F. 1" NUT         |
| 330665   | 1         | FITT.DK HB 3/4"F.1" NUT         |
| 330831   | 1         | FRICTION PLATE                  |
| 334241   | 1         | FITT.DK S-53 ELB.3/4"           |
| 334523   | 1         | PIPE HOLDER D51.5               |
| 390784   | 1         | PLUG FOR FOAM GENERATOR LWR 98  |
| 410701   | 1         | SCREW M6X16 GALV.               |
| 421024   | 1         | BOLT HEX 8.8 DEL M8X60          |
| 421201   | 1         | BOLT HEX 8.8 DEL M8X70          |
| 430323   | 1         | BOLT HEX 8.8 DEL M12X60         |
| 430367   | 1         | BOLT HEX 8.8 DEL M12X100 DIN931 |
| 440333   | 1         | SCREW 3.5 X 9.5 SS              |
| 460143   | 1         | NUT HEX M8 LOCK A2 DIN985       |
| 460261   | 1         | NUT HEX M6X1 LOCK A2 DIN985     |
| 460703   | 1         | NUT HEX M12X1.75 LOCK DIN985    |
| 471127   | 1         | WASHER D24/D13X2.5 STAINLESS    |
| 611671   | 1         | BREAK AWAY HOLDER F-MARKER      |
| 614432   | 1         | BREAK AWAY ARM F. FOAM MARKER   |
| 615786   | 1         | MOUNT BKT. F.FOAM DROPPER 98    |
| 728323   | 1         | VALVE NON-RETURN                |
| 730697   | 1         | FOAM DROPPER COMP. BLACK '97    |
| 927231   | 1         | HOSE R X PVCX3/4 CLR/BRD 0012"  |
| 927306   | 1         | HOSE R X PE D8/D6 X 0012"BLACK  |
| 927330   | 1         | HOSE R X PE D10/D8 X 012"BLACK  |
| 981561   | 1         | SPONGE MAT. MIX.CHAMBER-x0012"  |
| 28029903 | 1         | CLAMP HOSE GEAR P3/4"-S1" 6712  |
| 28030103 | 1         | CLAMP HOSE GEAR P5/4-S1.5"6724  |
| 72048700 | 1         | MIXING CHAMBER,FOAM MARK. STD   |
| 92712403 | 1         | HOSE R X1" X300PSI WP X0012"    |



# G410

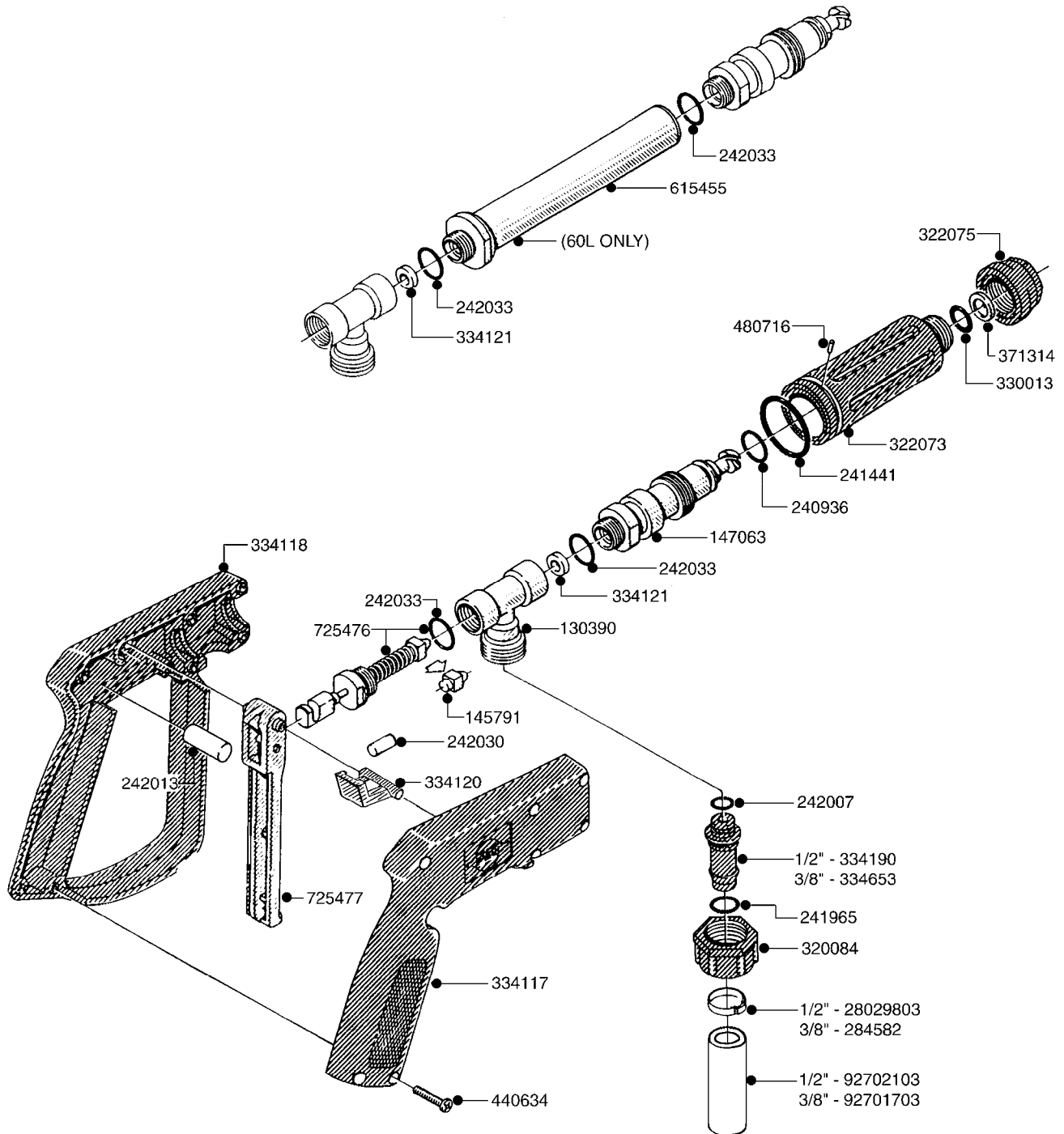


| parts-n° | order qty | description                     |
|----------|-----------|---------------------------------|
| 145995   | 1         | FITT.DK S-53 FORK               |
| 160775   | 1         | WASHER F. FRICTION PLATE        |
| 161116   | 1         | FLATBAR PLATE 3 X 25 X 110      |
| 161130   | 1         | FILTER SCREEN F/FOAM DROPPER    |
| 172664   | 1         | FLATBAR BACKING PLATE           |
| 232114   | 1         | COUPLER 1/8" THREADX8MM HOSE    |
| 232199   | 1         | COUPLER 3/8' BSP-90/10MM HOSE   |
| 242109   | 1         | O-RING D32.2x3.0 (USE 242354)   |
| 320095   | 1         | FITT.DK NUT 1" BSP              |
| 320176   | 1         | FITT.DK HN 3/8"X1/2" BSP        |
| 320456   | 1         | FITT.DK BULKHEAD 1"BSP DOUBLE   |
| 320471   | 1         | FITT.DK NUT 1" BSP JAMB         |
| 322138   | 1         | FITT.DK ELB 1"M X 1"F BSP       |
| 330326   | 1         | O-RING D30/D24X2 F.1"NUT        |
| 330341   | 1         | FITT.DK HB 1" F. 1" NUT         |
| 330665   | 1         | FITT.DK HB 3/4"F.1" NUT         |
| 330831   | 1         | FRICTION PLATE                  |
| 334241   | 1         | FITT.DK S-53 ELB.3/4"           |
| 334523   | 1         | PIPE HOLDER D51.5               |
| 390639   | 1         | O-RING F.NOZZLE FILTER          |
| 390925   | 1         | FITTING F.FOAM MIX.CHAMB. STD   |
| 390926   | 1         | TUBE,MIX CHAMB. FOAM MARK STD   |
| 410701   | 1         | SCREW M6X16 GALV.               |
| 421024   | 1         | BOLT HEX 8.8 DEL M8X60          |
| 421201   | 1         | BOLT HEX 8.8 DEL M8X70          |
| 430323   | 1         | BOLT HEX 8.8 DEL M12X60         |
| 430367   | 1         | BOLT HEX 8.8 DEL M12X100 DIN931 |
| 440333   | 1         | SCREW 3.5 X 9.5 SS              |
| 460143   | 1         | NUT HEX M8 LOCK A2 DIN985       |
| 460261   | 1         | NUT HEX M6X1 LOCK A2 DIN985     |
| 460703   | 1         | NUT HEX M12X1.75 LOCK DIN985    |
| 471127   | 1         | WASHER D24/D13X2.5 STAINLESS    |
| 611671   | 1         | BREAK AWAY HOLDER F-MARKER      |
| 614432   | 1         | BREAK AWAY ARM F. FOAM MARKER   |
| 615786   | 1         | MOUNT BKT. F.FOAM DROPPER 98    |
| 728323   | 1         | VALVE NON-RETURN                |
| 730697   | 1         | FOAM DROPPER COMP. BLACK '97    |
| 741526   | 1         | FOAM DROPPER MT. KIT MB-SPL     |
| 927231   | 1         | HOSE R X PVCX3/4 CLR/BRD 0012"  |
| 927306   | 1         | HOSE R X PE D8/D6 X 0012"BLACK  |
| 927330   | 1         | HOSE R X PE D10/D8 X 012"BLACK  |
| 981561   | 1         | SPONGE MAT. MIX.CHAMBER-x0012"  |
| 28029903 | 1         | CLAMP HOSE GEAR P3/4"-S1" 6712  |
| 28030103 | 1         | CLAMP HOSE GEAR P5/4-S1.5"6724  |
| 72048700 | 1         | MIXING CHAMBER, FOAM MARK. STD  |
| 92712403 | 1         | HOSE R X1" X300PSI WP X0012"    |



HANDGUN TYPE 60S/60L PRE 95  
G440-HIN, 19:05:11

Page 0  
Date 06.04.2015 10:38



COMPLETE ASSEMBLY:  
843197 - 60L  
843196 - 60S

COMPLETE ASSEMBLIES  
WHOLEGOODS ITEMS

# G440

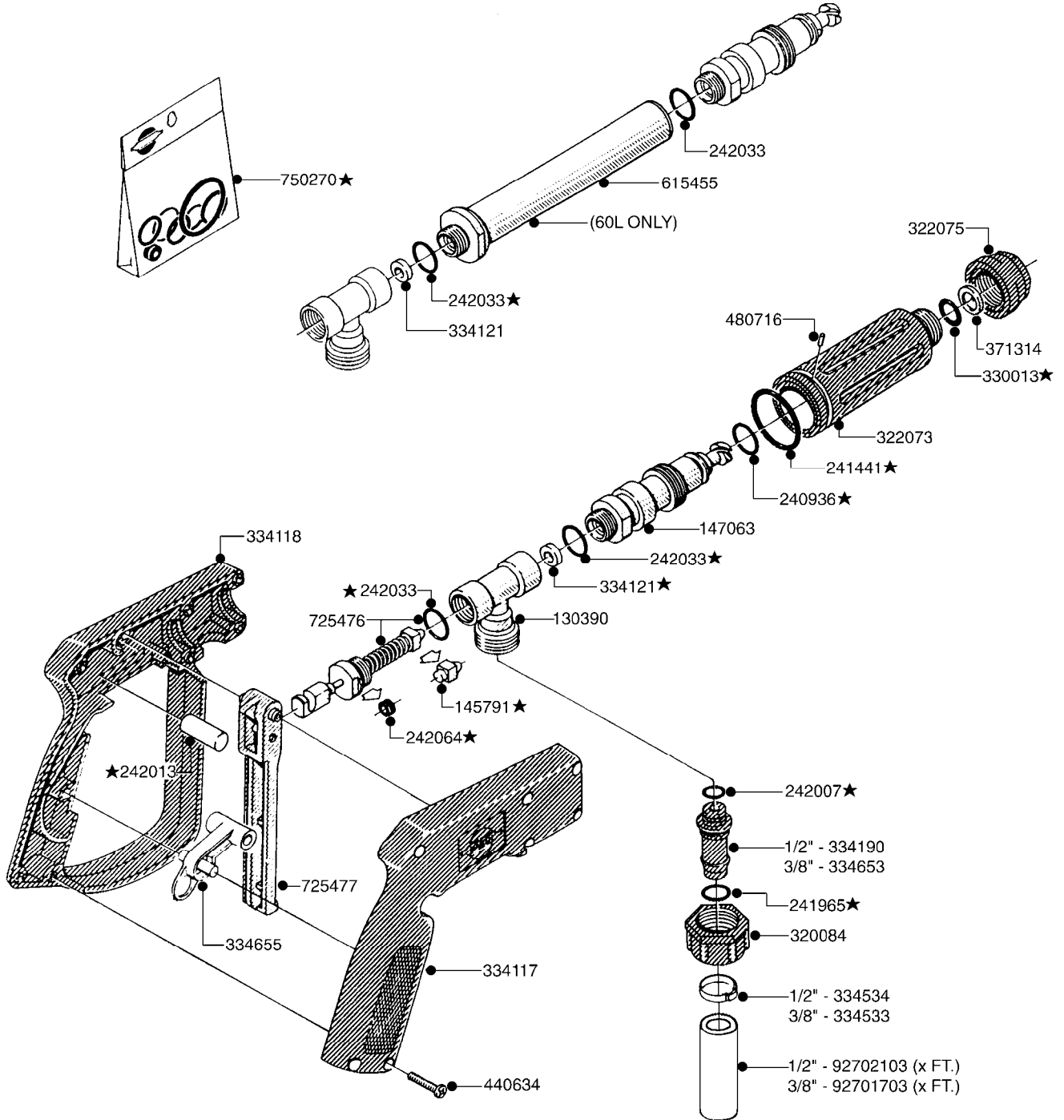


HANDGUN TYPE 60S/60L PRE 95  
G440-HIN, 19:05:11

Page 1

Date 06.04.2015 10:38

| parts-n° | order qty | description                    |
|----------|-----------|--------------------------------|
| 130390   | 1         | TEE 3/8'X 1/2' BSP F.TYPE 60S  |
| 145791   | 1         | CONE FOR ON/OFF                |
| 147063   | 1         | SWIRL F.SPRAY GUN TYPE 60      |
| 240936   | 1         | O-RING D13.3X2.4 NITRIL        |
| 241441   | 1         | O-RING D29.3X3                 |
| 241965   | 1         | O-RING 12.1 X 1.6              |
| 242007   | 1         | O-RING D9.1X1.6                |
| 242013   | 1         | SPRING RUBBER F/TRIGGER        |
| 242030   | 1         | SPRING RUBBER                  |
| 242033   | 1         | O-RING                         |
| 284582   | 1         | CLAMP HOSE GEAR - 5/16"        |
| 320084   | 1         | FITT.DK NUT 1/2" BSP           |
| 322073   | 1         | HOUSING F.SWIRL TYPE 60S H.G.  |
| 322075   | 1         | HOUSING F. NOZZLE              |
| 330013   | 1         | O-RING D15/D10X2.5 F.3/8"NUT   |
| 334117   | 1         | HANDLE PIECE RIGHT F.60S/60L   |
| 334118   | 1         | HANDLE PIECE LEFT F.60S/60L    |
| 334120   | 1         | LOCK FOR TRIGGER               |
| 334121   | 1         | SEAT FOR ON-OFF TYPE           |
| 334190   | 1         | FITT.DK HB 1/2' F. PISTOL 60S  |
| 334653   | 1         | FITT.DK HB 3/8' F.HANDGUN      |
| 371314   | 1         | NOZZLE CERAMIC 1099-20         |
| 440634   | 1         | SCREW 5/8"                     |
| 480716   | 1         | PIN D3X6 STAINLESS             |
| 615455   | 1         | TUBE F.LANCE TYPE 60L          |
| 725476   | 1         | SPINDLE                        |
| 725477   | 1         | TRIGGER                        |
| 843196   | 1         | GUN, MODEL 60S                 |
| 843197   | 1         | HANDGUN KIT TYPE 60 LONG       |
| 28029803 | 1         | CLAMP HOSE GEAR P1/2" 6708     |
| 92701703 | 1         | HOSE R X3/8" X300PSI WP X0012" |
| 92702103 | 1         | HOSE R X1/2" X300PSI WP X0012" |



COMPLETE ASSEMBLY:  
843197 - 60L  
843196 - 60S

COMPLETE ASSEMBLIES  
WHOLEGOODS ITEMS

# G450



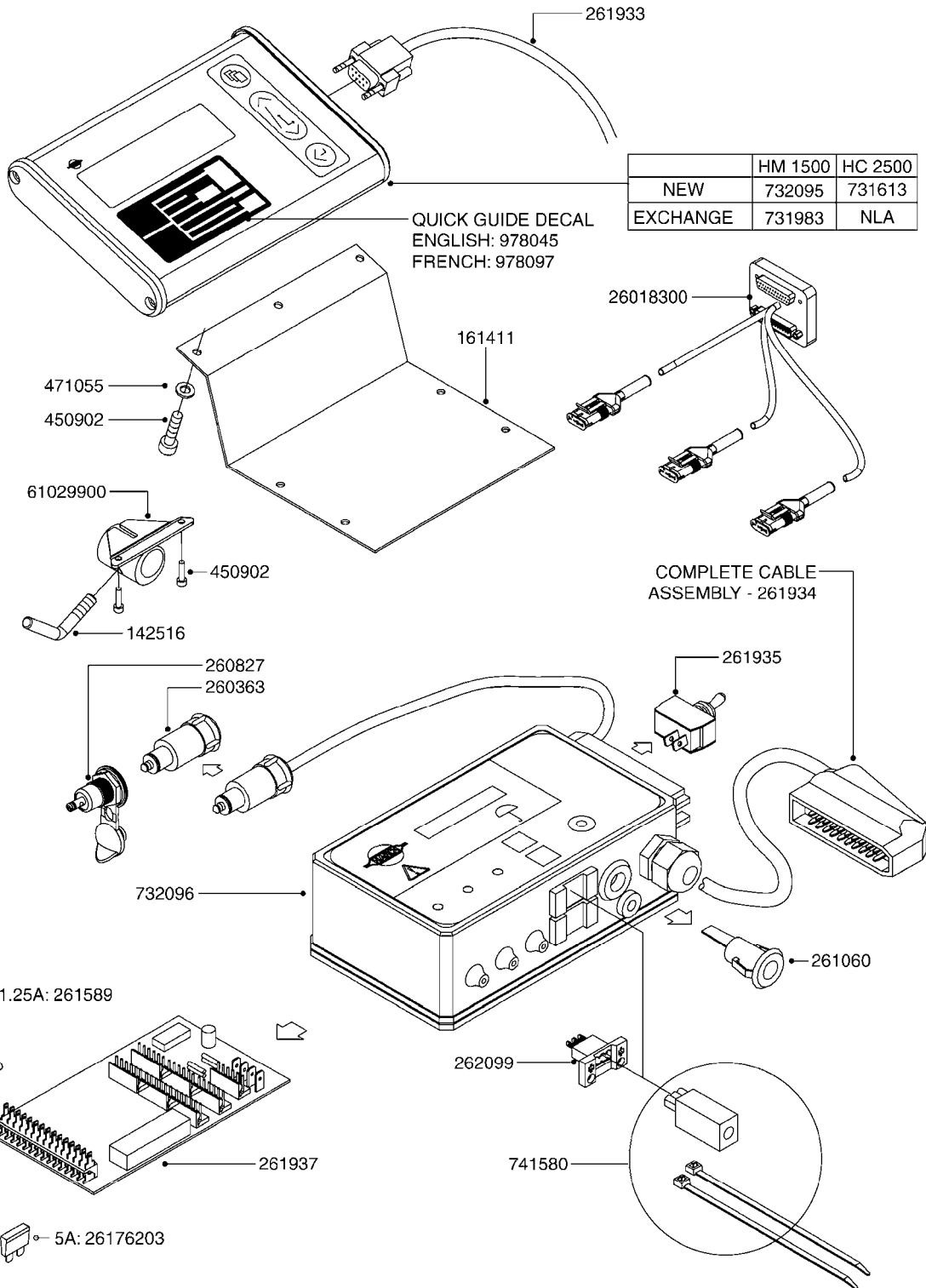
HANDGUN TYPE 60S/60L POST 95  
G450-HIN, 19:05:11

Page 1

Date 06.04.2015 10:38

| parts-n° | order qty | description                    |
|----------|-----------|--------------------------------|
| 130390   | 1         | TEE 3/8'X 1/2' BSP F.TYPE 60S  |
| 145791   | 1         | CONE FOR ON/OFF                |
| 147063   | 1         | SWIRL F.SPRAY GUN TYPE 60      |
| 240936   | 1         | O-RING D13.3X2.4 NITRIL        |
| 241441   | 1         | O-RING D29.3X3                 |
| 241965   | 1         | O-RING 12.1 X 1.6              |
| 242007   | 1         | O-RING D9.1X1.6                |
| 242013   | 1         | SPRING RUBBER F/TRIGGER        |
| 242033   | 1         | O-RING                         |
| 242064   | 1         | SLEEVE RUBBER 3X8X4MM          |
| 320084   | 1         | FITT.DK NUT 1/2" BSP           |
| 322073   | 1         | HOUSING F.SWIRL TYPE 60S H.G.  |
| 322075   | 1         | HOUSING F. NOZZLE              |
| 330013   | 1         | O-RING D15/D10X2.5 F.3/8"NUT   |
| 334117   | 1         | HANDLE PIECE RIGHT F.60S/60L   |
| 334118   | 1         | HANDLE PIECE LEFT F.60S/60L    |
| 334121   | 1         | SEAT FOR ON-OFF TYPE           |
| 334190   | 1         | FITT.DK HB 1/2' F. PISTOL 60S  |
| 334533   | 1         | CLAMP HOSE PLASTIC 3/8"        |
| 334534   | 1         | CLAMP HOSE PLASTIC 1/2"        |
| 334653   | 1         | FITT.DK HB 3/8' F.HANDGUN      |
| 334655   | 1         | TRIGGER SAFETY F.60S/60L GUN   |
| 371314   | 1         | NOZZLE CERAMIC 1099-20         |
| 440634   | 1         | SCREW 5/8"                     |
| 480716   | 1         | PIN D3X6 STAINLESS             |
| 615455   | 1         | TUBE F.LANCE TYPE 60L          |
| 725476   | 1         | SPINDLE                        |
| 725477   | 1         | TRIGGER                        |
| 750270   | 1         | GASKET KIT F.SPRAY GUN         |
| 843196   | 1         | GUN, MODEL 60S                 |
| 843197   | 1         | HANDGUN KIT TYPE 60 LONG       |
| 92701703 | 1         | HOSE R X3/8" X300PSI WP X0012" |
| 92702103 | 1         | HOSE R X1/2" X300PSI WP X0012" |





**G480**

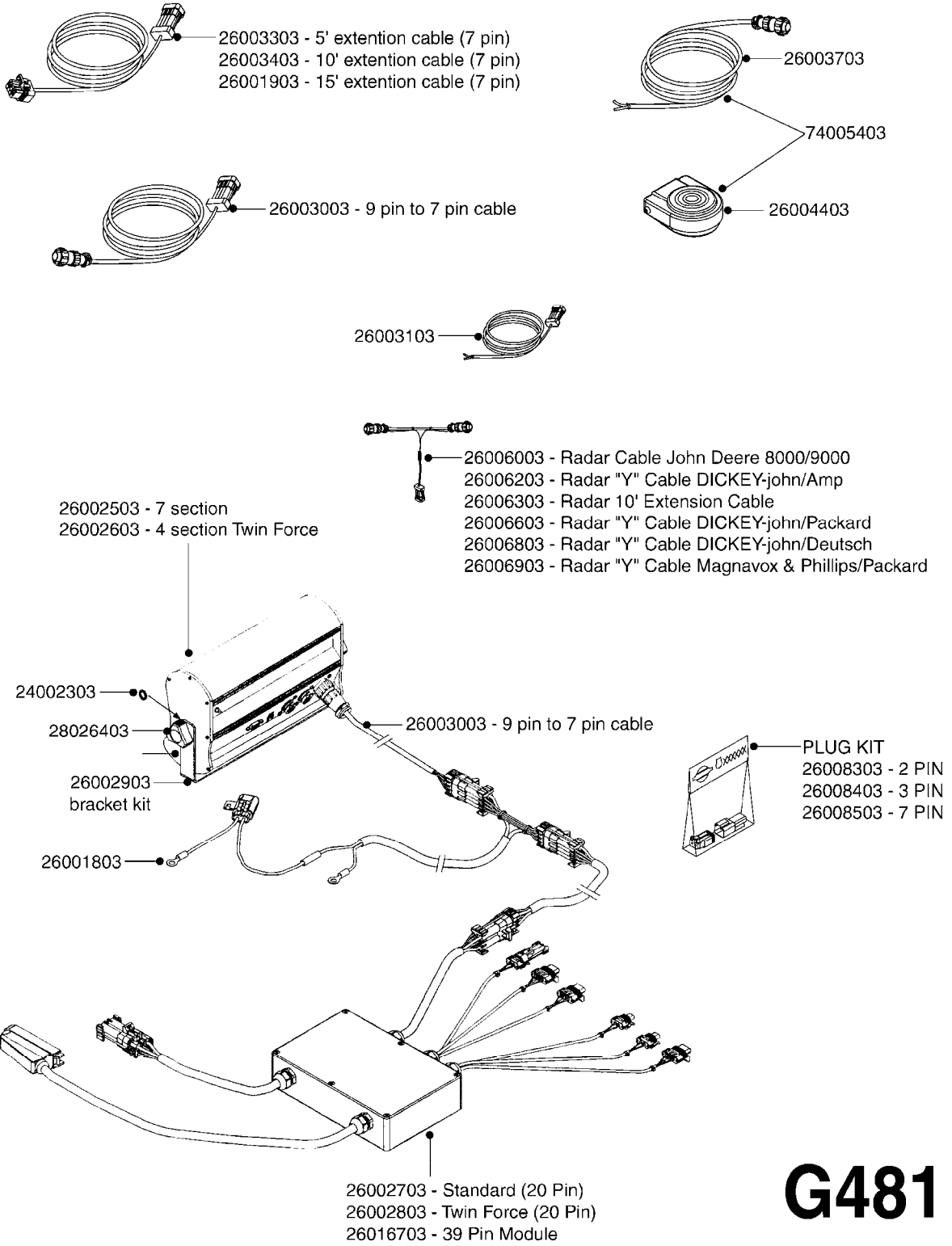


HC 2500/HM1500 DISPLAY/SCANBOX  
G480-HIN, 15:11:09

Page 1

Date 06.04.2015 10:38

| parts-n° | order qty | description                                             |
|----------|-----------|---------------------------------------------------------|
| 142516   | 1         | SCREW SET M10 BENT F. LOCKING                           |
| 161411   | 1         | MT.BRK. HC2500/HM1500 DISPLAY                           |
| 26018300 | 1         | ADAPTOR 2500 FOR SPRAYBOX II<br>39-PIN/REPLACES SCANBOX |
| 260363   | 1         | PLUG 2 POLE 12V                                         |
| 260827   | 1         | PLUG F.EC ATTACHMENTS                                   |
| 261060   | 1         | PLUG F.EC ATTACHMENTS                                   |
| 261589   | 1         | FUSE 5 X 20 1.25 AMP                                    |
| 26176203 | 1         | FUSE 5.0A QUICK-ACT.                                    |
| 261933   | 1         | CABLE W/PLUG 2X25 L=71"                                 |
| 261934   | 1         | CABLE W/PLUG 18X0.5MM L=79"                             |
| 261935   | 1         | SWITCH 2 POLE                                           |
| 261937   | 1         | CIRCUIT BOARD F. SCANBOX                                |
| 262099   | 1         | PLUG SOCKET 3-POLE 2.5/3                                |
| 450902   | 1         | BOLT ALLEN HEAD M4 X 16MM                               |
| 471055   | 1         | WASHER D4.1/7.6 X 0.9                                   |
| 61029900 | 1         | BRACKET FOR HC2500                                      |
| 731613   | 1         | DISPLAY HC2500 NEW                                      |
| 731983   | 1         | DISPLAY HM1500 REFURBISHED                              |
| 732095   | 1         | DISPLAY HM1500 NEW                                      |
| 732096   | 1         | SCANBOX F.HM1500/HC2500                                 |
| 741580   | 1         | PLUG 3-POLE 2.5/3                                       |
| 978045   | 1         | DECAL QUICK GUIDE 1500/2500                             |
| 978097   | 1         | DECAL QUICK GUIDE 1500/2500 FR                          |



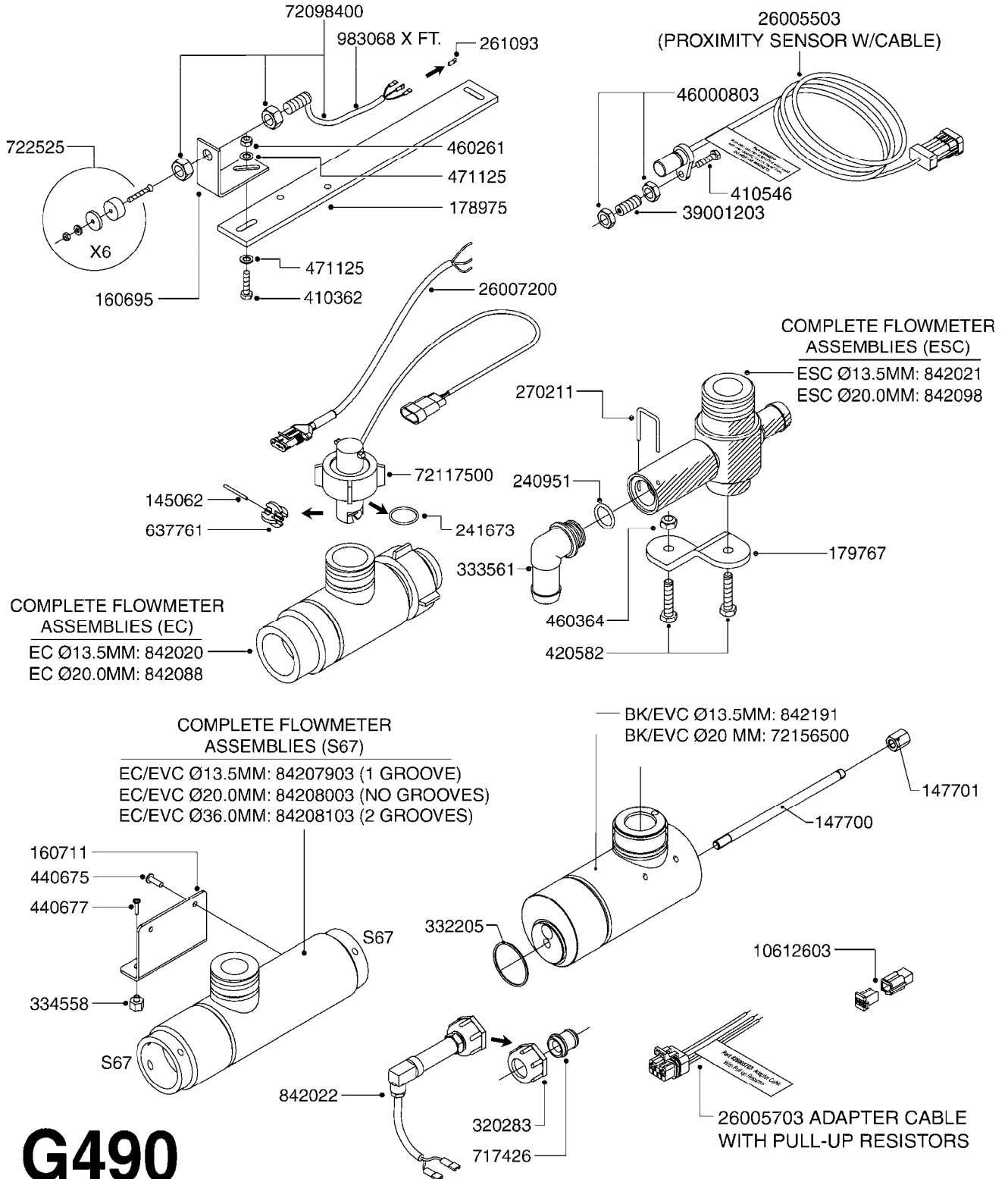
# G481



MUSTANG 3500 CONTROLLER  
G481-HIN, 16:12:08

Page 1  
Date 06.04.2015 10:38

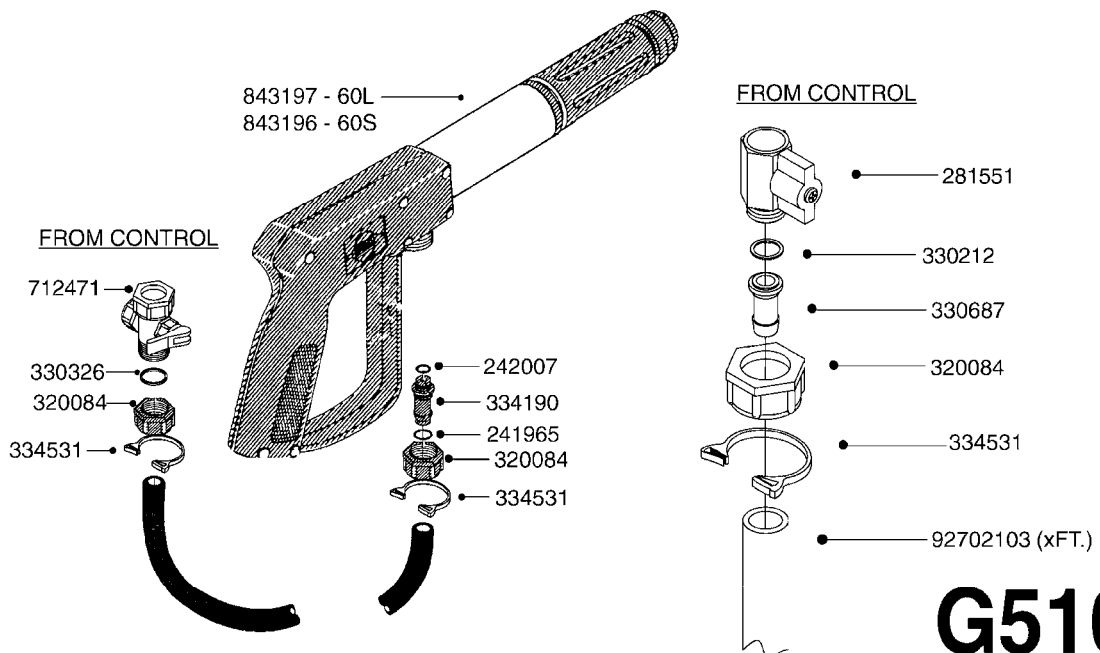
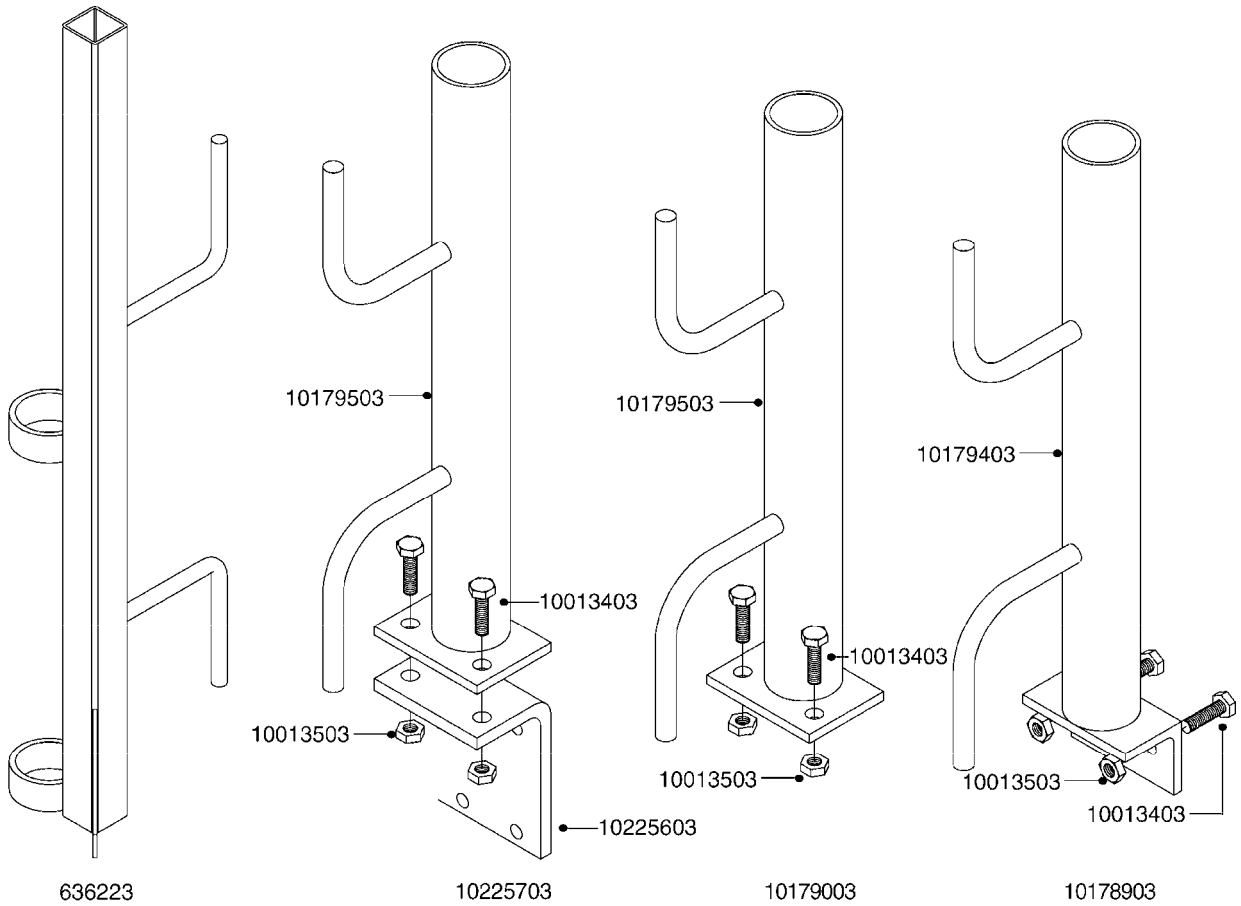
| parts-n° | order qty | description                    |
|----------|-----------|--------------------------------|
| 24002303 | 1         | WASHER, RUBBER                 |
| 26001803 | 1         | POWER CABLE                    |
| 26001903 | 1         | 15' 7-PIN EXTENSION CABLE      |
| 26002503 | 1         | MUSTANG 3500/7 CONSOLE         |
| 26002603 | 1         | MUSTANG 3500/4/TF CONSOLE      |
| 26002703 | 1         | MUSTANG 3500/20PIN SC MODULE   |
| 26002803 | 1         | MUSTANG 3500/20PIN TF SC MODUL |
| 26002903 | 1         | MUSTANG 3500 CONSOLE MNT KIT   |
| 26003003 | 1         | MUSTANG 3500 CONSOLE CABLE     |
| 26003103 | 1         | MUSTANG 3500/7 SC MOD CNECT KT |
| 26003303 | 1         | MUSTANG/FM 5FT 7PIN EXT CABLE  |
| 26003403 | 1         | MUSTANG/FM 10FT 7PIN EXT CABLE |
| 26003703 | 1         | MUSTANG RUN/HOLD ADAPT CABLE   |
| 26004403 | 1         | SWITCH, FOOT                   |
| 26006003 | 1         | MUSTANG RADR CBLE JD 8000/9000 |
| 26006203 | 1         | MUSTANG RDR "Y" CABLE DCKY-JHN |
| 26006303 | 1         | MUSTANG RDR EXTNSN CABLE 10FT  |
| 26006603 | 1         | MUSTANG RDR"Y"CABLE D-J PACKRD |
| 26006803 | 1         | MUSTANG RDR"Y"CABLE D-J DEUTS. |
| 26006903 | 1         | MUSTANG RDR"Y"CABLE MAG.PHILIP |
| 26008303 | 1         | MICRO TRAK PLUG KIT - 2 PIN    |
| 26008403 | 1         | MICRO TRAK PLUG KIT - 3 PIN    |
| 26008503 | 1         | MICRO TRAK PLUG KIT - 7 PIN    |
| 26016703 | 1         | MUSTANG 3500/39PIN SC MODULE   |
| 28026403 | 1         | KNOB, MUSTANG CONSOLE MOUNT    |
| 74005403 | 1         | FOOT SWITCH FOR MUSTANG 3500   |



**G490**



| parts-n° | order qty | description                    |
|----------|-----------|--------------------------------|
| 145062   | 1         | ROTOR SHAFT                    |
| 147700   | 1         | STUD BOLT M8 X 158MM           |
| 147701   | 1         | NUT HEX M8 STAINLESS L=16      |
| 160695   | 1         | BRACKET F.SENSOR               |
| 160711   | 1         | BRACKET FOR FLOW METER         |
| 178975   | 1         | MOUNT BRACKET F. SPEED SENSOR  |
| 179767   | 1         | FLOW SENSOR MOUNTING BRACKET   |
| 240951   | 1         | O-RING D21.2X3 NITRIL          |
| 241673   | 1         | O-RING D22.1X1.6               |
| 261093   | 1         | SPADE F.ELEC.WIRE DK 2.8X0.8   |
| 270211   | 1         | FITT.DK S25 FORK L=37.5        |
| 320283   | 1         | FITT.DK NUT 3/4"BSP            |
| 332205   | 1         | O-RING D43/39XD2               |
| 333561   | 1         | FITT.DK ELB.1" EC RETURN       |
| 334558   | 1         | NUT HEX PLASTIC INSERT         |
| 410362   | 1         | BOLT HEX 8.8 SS M6X20 FT       |
| 410546   | 1         | BOLT HEX SS M6X12 FT           |
| 420582   | 1         | BOLT HEX 8.8 DEL M8X20 FT A2   |
| 440675   | 1         | SCREW F. PLASTIC 5X16 SS       |
| 440677   | 1         | SCREW F. PLASTIC 5X20 SS       |
| 460261   | 1         | NUT HEX M6X1 LOCK A2 DIN985    |
| 460364   | 1         | NUT HEX M8 GALV.               |
| 471125   | 1         | WASHER M6U D12/D6.4x1.6 SS A2  |
| 637761   | 1         | ROTOR F.FLOWMETER - PILOT      |
| 717426   | 1         | FITT.DK REDUC 1/4"BSP F.3/4"N  |
| 722525   | 1         | MONITOR MAGNETS SET OF 8PCS    |
| 842020   | 1         | HP FLOW METER EC 2-30 GPM      |
| 842021   | 1         | HP FLOW METER ESC 2-30 GPM     |
| 842022   | 1         | HP PRESS. TRANSDUCER 0-150 PSI |
| 842088   | 1         | HP FLOW METER EC 4-70 GPM      |
| 842098   | 1         | HP FLOW METER ESC 4-70 GPM     |
| 842191   | 1         | HP FLOW METER BK/EVC 2-30 GPM  |
| 983068   | 1         | ELEC. CABLE 3 WIRE X .25MM HP  |
| 10612603 | 1         | KIT PLUG 6 PIN F.PILOT MONITOR |
| 26005503 | 1         | SPEED SENSOR/CABLE ASSY PROX   |
| 26005703 | 1         | *SPEED SENS ADPT CBLE W PULLUP |
| 26007200 | 1         | CABLE L =13.00M, AMP, MALE, 3P |
| 39001203 | 1         | THREAD PLST 1/2-13UNCXM6X1L=1" |
| 46000803 | 1         | NUT, 1/2-13 THIN               |
| 72098400 | 1         | SPEED SENSOR W/CABLE 10000MM   |
| 72117500 | 1         | FLOW SENSOR - M.AMP L=1M       |
| 72156500 | 1         | HP FLOW METER PIN 4-70 GPM 20Ø |
| 84207903 | 1         | FLOW METER,2-30 GPM,S67,CAL    |
| 84208003 | 1         | FLOW METER,4-70 GPM,S67,CAL    |
| 84208103 | 1         | FLOW METER,20-160 GPM,S67,CAL  |



**G510**

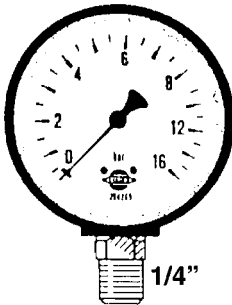


HOSE WRAPS  
G510-HIN, 19:05:11

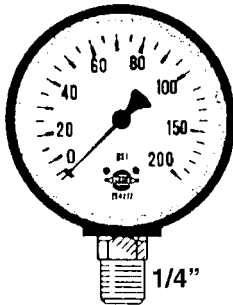
Page 1  
Date 06.04.2015 10:38

| parts-n° | order qty | description                    |
|----------|-----------|--------------------------------|
| 241965   | 1         | O-RING 12.1 X 1.6              |
| 242007   | 1         | O-RING D9.1X1.6                |
| 281551   | 1         | BALL VALVE 1/2"                |
| 320084   | 1         | FITT.DK NUT 1/2" BSP           |
| 330212   | 1         | O-RING D19/D14X2.4 F.1/2"NUT   |
| 330326   | 1         | O-RING D30/D24X2 F.1"NUT       |
| 330687   | 1         | FITT.DK HB 1/2" F. 1/2" NUT    |
| 334190   | 1         | FITT.DK HB 1/2' F. PISTOL 60S  |
| 334531   | 1         | CLAMP HOSE PLASTIC 3/4"        |
| 636223   | 1         | POST 12 VOLT TR30              |
| 712471   | 1         | AGITATION VALVE ASSY. ON/OFF   |
| 843196   | 1         | GUN, MODEL 60S                 |
| 843197   | 1         | HANDGUN KIT TYPE 60 LONG       |
| 10013403 | 1         | BOLT HEX 3/8-16X1 1/4 HCS Z5   |
| 10013503 | 1         | NUT HEX NC 3/8"                |
| 10178903 | 1         | WRAP HOSE SIDE MOUNT PLATE     |
| 10179003 | 1         | WRAP HOSE BOTTOM PLATE MOUNT   |
| 10179403 | 1         | WRAP WELDMENT FOR HI101789     |
| 10179503 | 1         | WRAP WELDMENT FOR HI101790     |
| 10225603 | 1         | BKT.FOR HOSE WRAP MOUNT NL NK  |
| 10225703 | 1         | WRAP HOSE BDL.BOTTOM PLATE     |
| 92702103 | 1         | HOSE R X1/2" X300PSI WP X0012" |

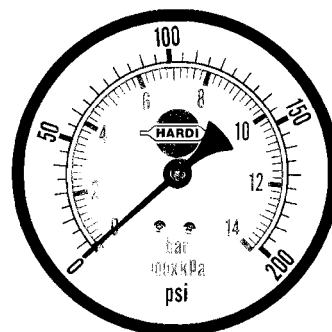




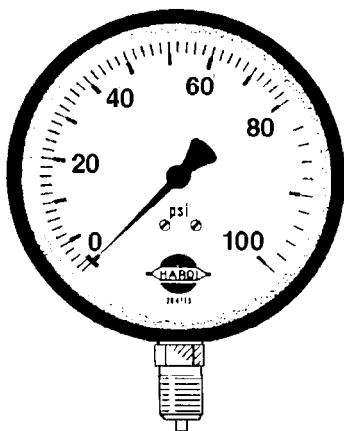
284269  
0-8-16 bar  
BRASS  
2.5" GAUGE



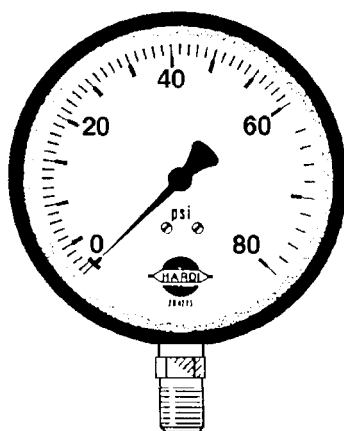
28026203  
0-100-200 psi  
STAINLESS  
2.5" GAUGE



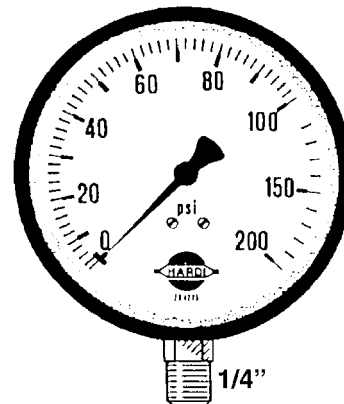
1/4"  
28014403  
200 psi (14 bar)  
STAINLESS  
4" GAUGE



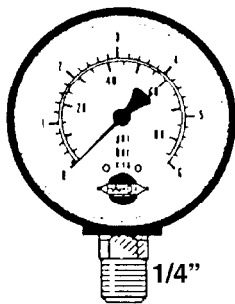
844086  
100 bar (1400 psi)  
BRASS  
2.5" GAUGE



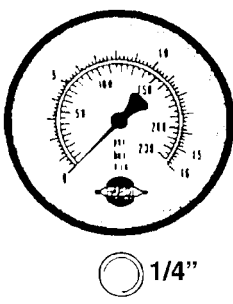
844088  
80 bar (1200 psi)  
STAINLESS  
1.5" GAUGE



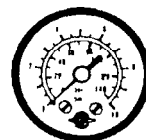
1/4"  
28026103  
0-100-200 psi  
STAINLESS  
4" GAUGE



1/4"  
280637  
6 bar (85 psi)  
BRASS  
2.5" GAUGE



1/4"  
283754  
16 bar (230 psi)  
BRASS  
2.5" GAUGE



M 20  
844082  
10 bar (140 psi)  
BRASS  
1.5" GAUGE

**G520**

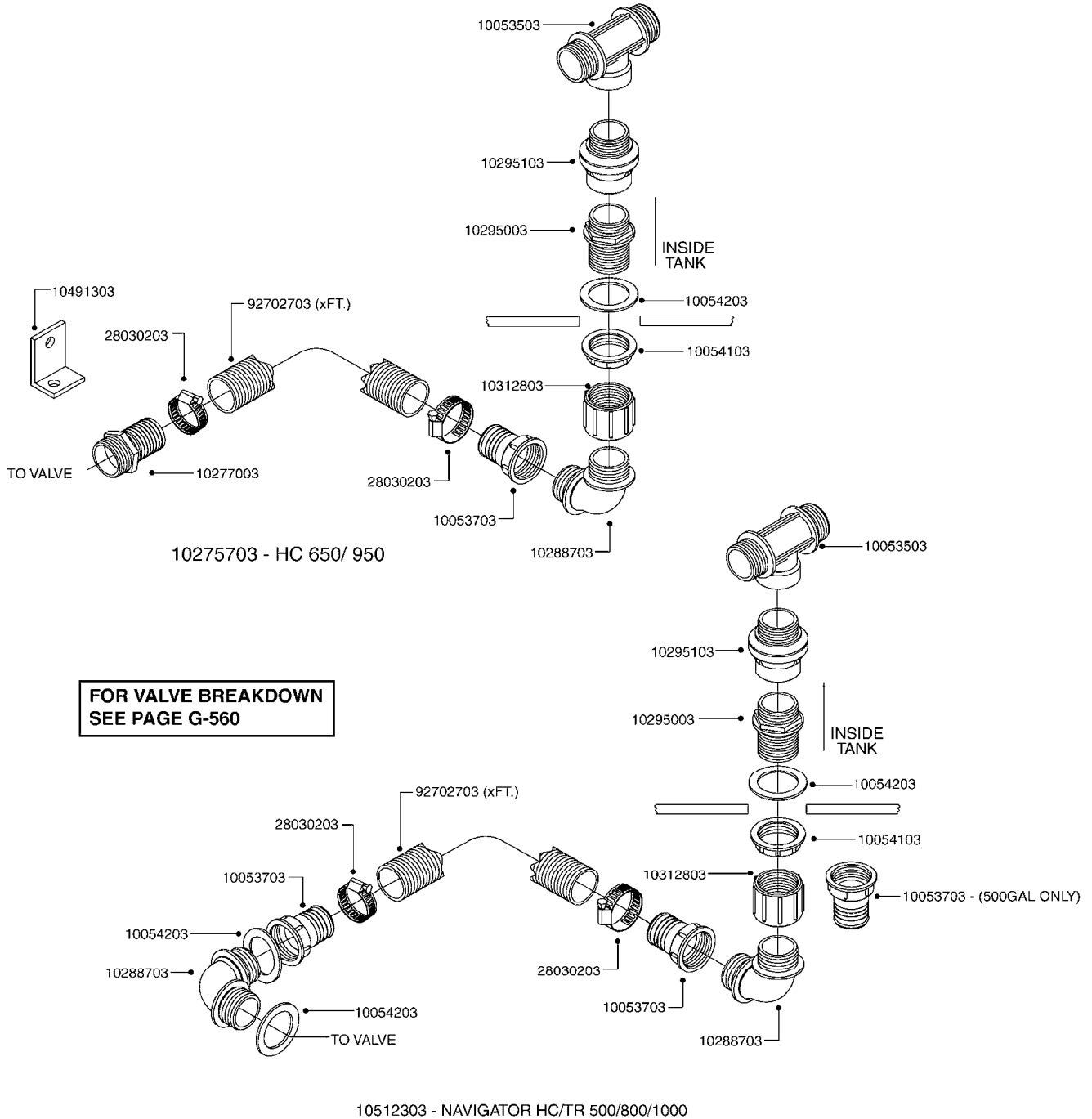


PRESSURE GAUGES  
G520-HIN, 01:05:13

Page 1

Date 06.04.2015 10:38

| parts-n° | order qty | description                      |
|----------|-----------|----------------------------------|
| 280637   | 1         | GAUGE 2.5"BR BOTT.PSI85 BAR6     |
| 283754   | 1         | GAUGE 2.5'BR REAR PSI200 BAR16   |
| 284269   | 1         | GAUGE 2.5'BR BOTT.BAR16          |
| 844082   | 1         | GAUGE 1.5'BR REAR PSI140BAR10    |
| 844086   | 1         | GAUGE 2.5'BR BOTT.PSI1000BAR80   |
| 844088   | 1         | GAUGE 2.5'BR BOTT PSI1200BAR80   |
| 28014403 | 1         | GAUGE 4"BR REAR PSI200           |
| 28026103 | 1         | GAUGE 200PSI/BR, 4", 1/4"BSP-BTM |
| 28026203 | 1         | GAUGE 200PSI/BR, 2.5"1/4BSP-BTM  |



# G540

COMPLETE ASSEMBLIES  
WHOLEGOODS ITEMS

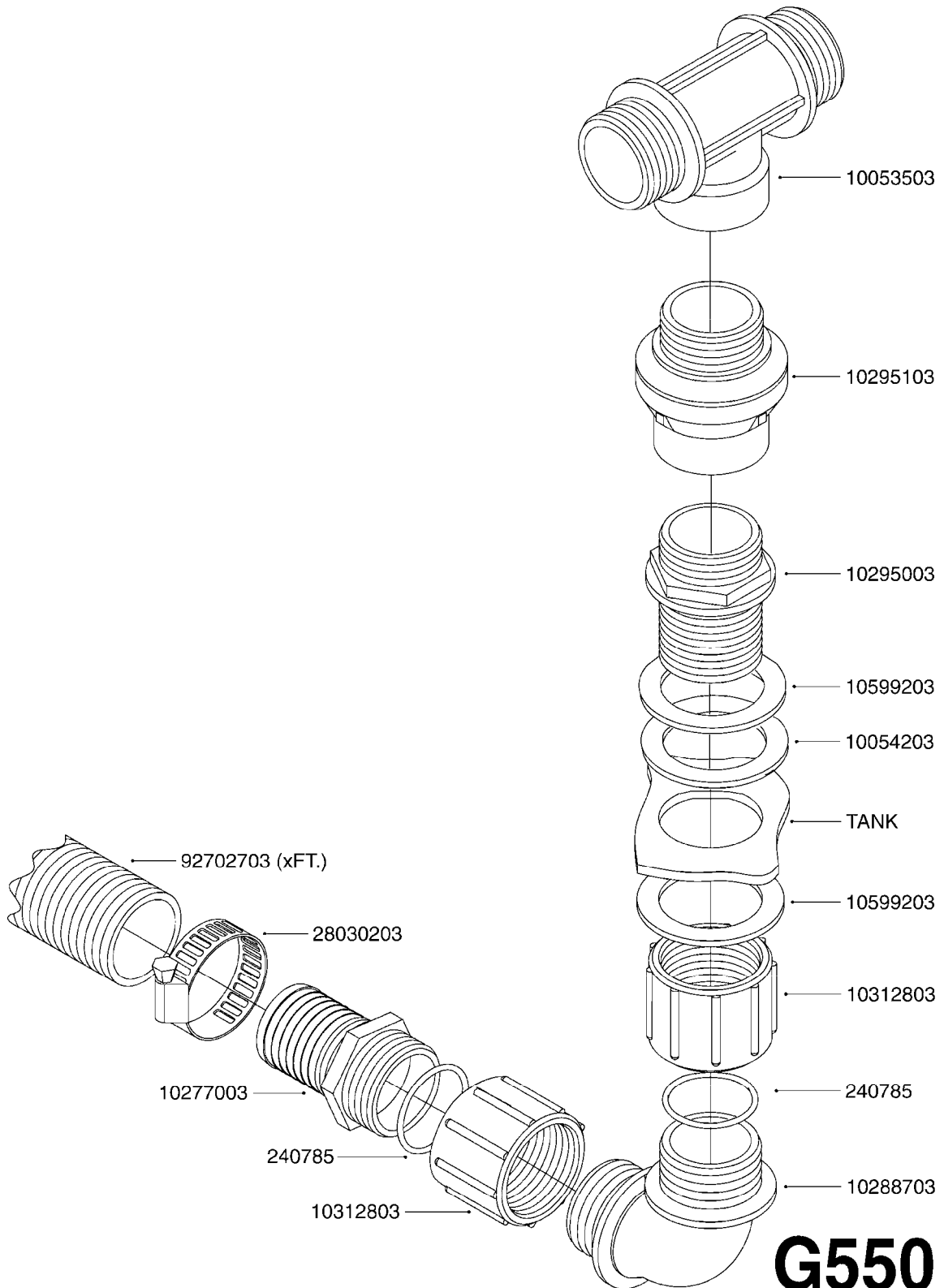


QUICKFILL-PLMBNG SYS-TRLR SPYR  
G540-HIN, 20:12:10

Page 1

Date 06.04.2015 10:38

| parts-n° | order qty | description                     |
|----------|-----------|---------------------------------|
| 10053503 | 1         | FITT.PO.TEE 2"MX2"FX2"M BSP     |
| 10053703 | 1         | FITT.PO.HB STR. 2"BSP A4411     |
| 10054103 | 1         | FITT.PO.NUT 2" BSP JAMB MCPHEE  |
| 10054203 | 1         | GASKET F. 2" FITTINGS RUBBER    |
| 10275703 | 1         | *QUICK FILL KIT 650/950M        |
| 10277003 | 1         | FITT.PO.HB 2.00X2.00 MCPHEE     |
| 10288703 | 1         | FITT.PO.EL 2MX2M 90 DEG MCPHEE  |
| 10295003 | 1         | FITT.PO.HN 2' 250071            |
| 10295103 | 1         | FOOT VALVE 2" 504019            |
| 10312803 | 1         | FITT.PO.BU 2' X 2'              |
| 10491303 | 1         | ANGLE FOR HC950 QUICK FILL      |
| 10512303 | 1         | QUICK FILL KIT NAV. (DON'T ORD) |
| 28030203 | 1         | CLAMP HOSE T-BOLT S2" 235-67    |
| 92702703 | 1         | HOSE PVC SUCT GRAY 2"           |



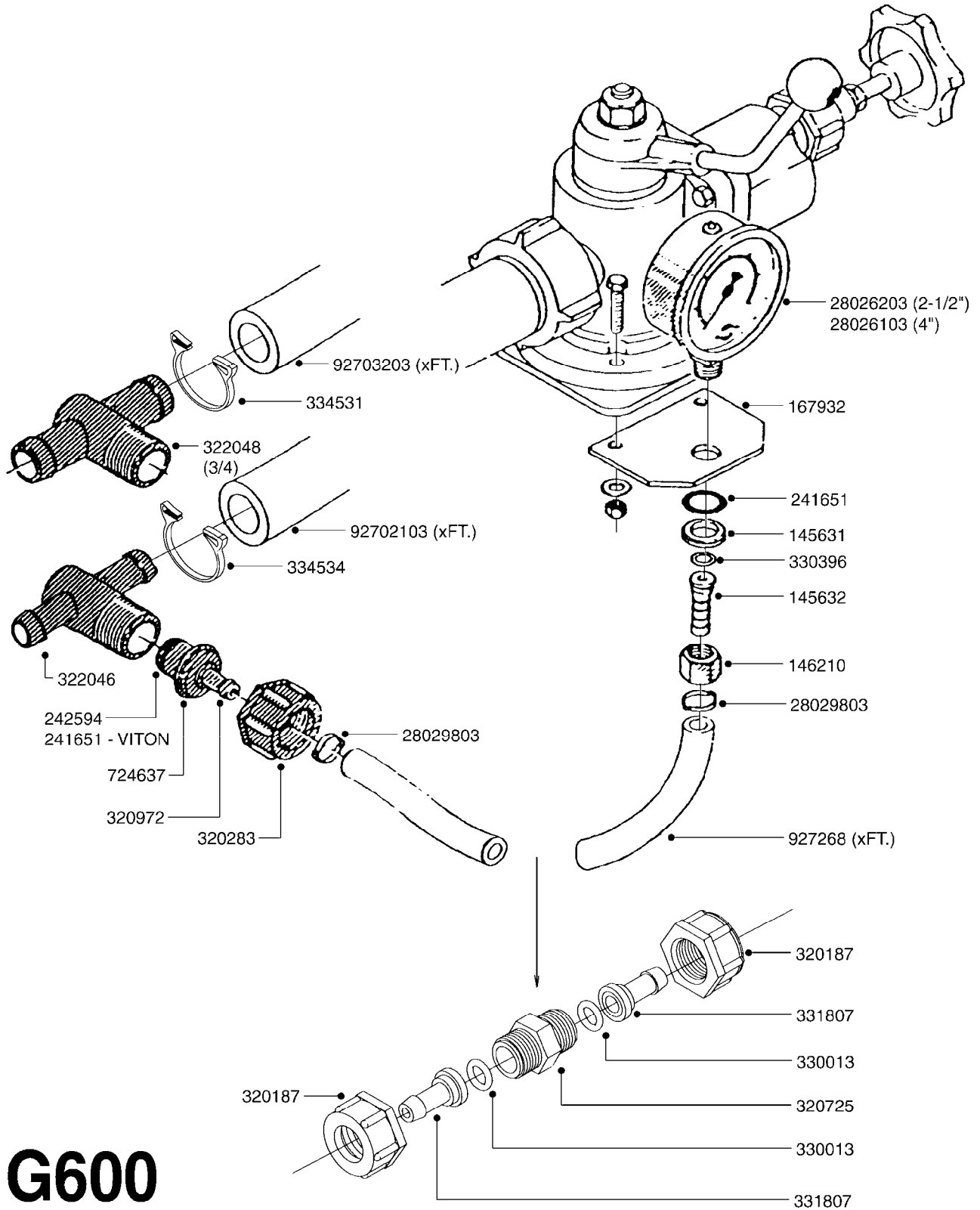
**G550**



QUICKFILL-UPDATE 97-TRAILER  
G550-HIN, 20:12:10

Page 1  
Date 06.04.2015 10:38

| parts-n° | order qty | description                    |
|----------|-----------|--------------------------------|
| 240785   | 1         | O-RING D46,99X5,33 NITRIL      |
| 10053503 | 1         | FITT.PO.TEE 2"MX2"FX2"M BSP    |
| 10054203 | 1         | GASKET F. 2" FITTINGS RUBBER   |
| 10277003 | 1         | FITT.PO.HB 2.00X2.00 MCPHEE    |
| 10288703 | 1         | FITT.PO.EL 2MX2M 90 DEG MCPHEE |
| 10295003 | 1         | FITT.PO.HN 2' 250071           |
| 10295103 | 1         | FOOT VALVE 2" 504019           |
| 10312803 | 1         | FITT.PO.BU 2' X 2'             |
| 10599203 | 1         | WASHER-390664 MACHINE ID2-3/8' |
| 28030203 | 1         | CLAMP HOSE T-BOLT S2" 235-67   |
| 92702703 | 1         | HOSE PVC SUCT GRAY 2"          |



**G600**



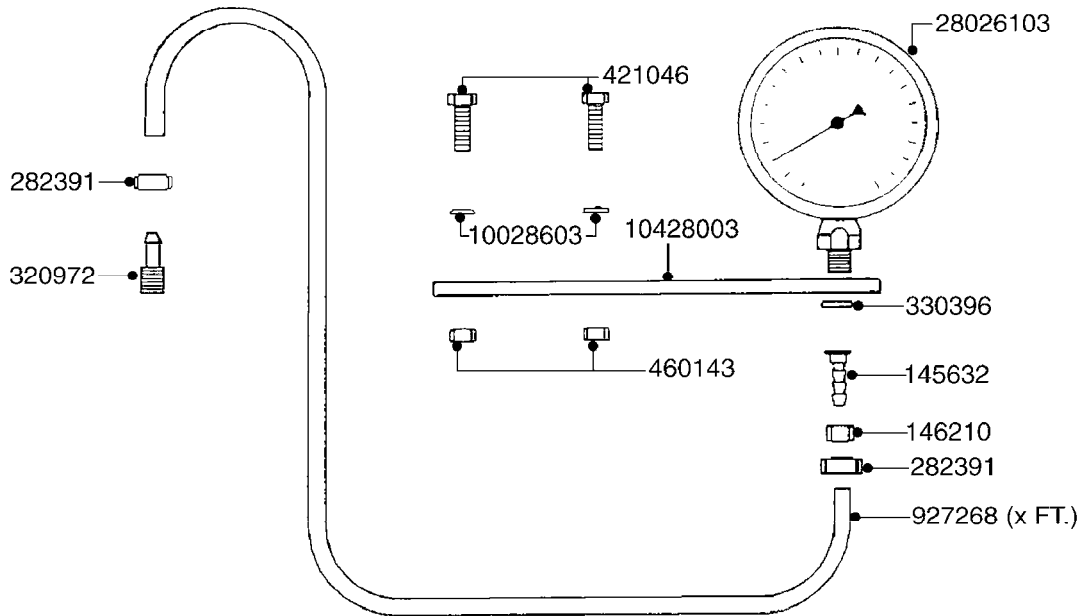
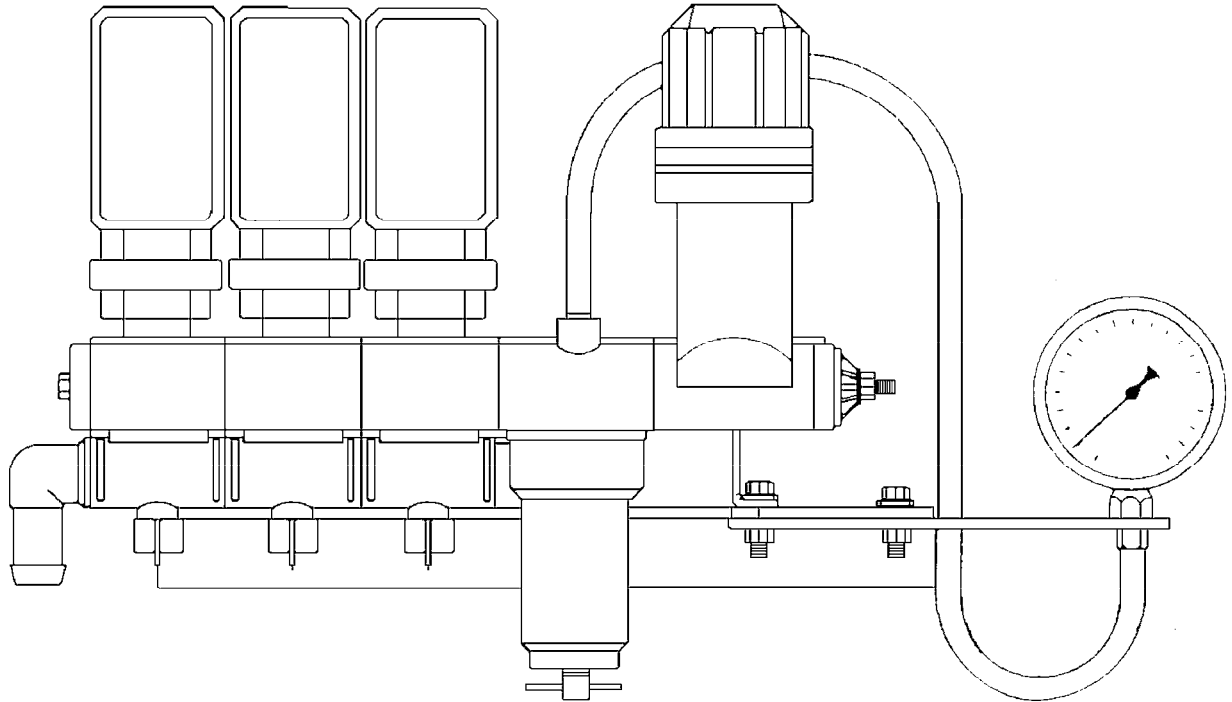
REMOTE GAUGE-BK 180 & EC  
G600-HIN, 19:05:11

Page 1

Date 06.04.2015 10:38

| parts-n° | order qty | description                    |
|----------|-----------|--------------------------------|
| 145631   | 1         | WASHER D21.5/D13.5X2.5 BRASS   |
| 145632   | 1         | FITT.DK HB 1/4' BRASS F.GUAGE  |
| 146210   | 1         | NUT 1/4'BSP BRASS              |
| 167932   | 1         | MTG. BRACKET (PRESSURE GAUGE)  |
| 241651   | 1         | O-RING D14.0X3.0 NITRIL        |
| 242594   | 1         | O-RING D14 X 1.78 SCH.70-EPDM  |
| 320187   | 1         | FITT.DK CAP 3/8" BSP BLACK     |
| 320283   | 1         | FITT.DK NUT 3/4"BSP            |
| 320725   | 1         | FITT.DK NIPPLE 3/8"-3/8" BSP   |
| 320972   | 1         | FITT.DK HB 5/16'- 1/4' BSP     |
| 322046   | 1         | FITT.DK TEE 1/2X1/2HB X3/4'BSP |
| 322048   | 1         | FITT.DK TEE 3/4X3/4HB X3/4'BSP |
| 330013   | 1         | O-RING D15/D10X2.5 F.3/8"NUT   |
| 330396   | 1         | O-RING D11.2/D6.6X3.2          |
| 331807   | 1         | FITT.DK HB 5/16" F.3/8" NUT    |
| 334531   | 1         | CLAMP HOSE PLASTIC 3/4"        |
| 334534   | 1         | CLAMP HOSE PLASTIC 1/2"        |
| 724637   | 1         | FITT.DK HB 5/16' F. 3/4" COMP. |
| 927268   | 1         | HOSE R X PVC X 1/4 X 0012"     |
| 28026103 | 1         | GAUGE 200PSI/BR,4",1/4"BSP-BTM |
| 28026203 | 1         | GAUGE 200PSI/BR,2.5"1/4BSP-BTM |
| 28029803 | 1         | CLAMP HOSE GEAR P1/2" 6708     |
| 92702103 | 1         | HOSE R X1/2" X300PSI WP X0012" |
| 92703203 | 1         | HOSE R X3/4" X300PSI WP X0012" |





COMPLETE ASSEMBLIES  
WHOLEGOODS ITEMS

70043903 - COMPLETE ASSEMBLY

# G610

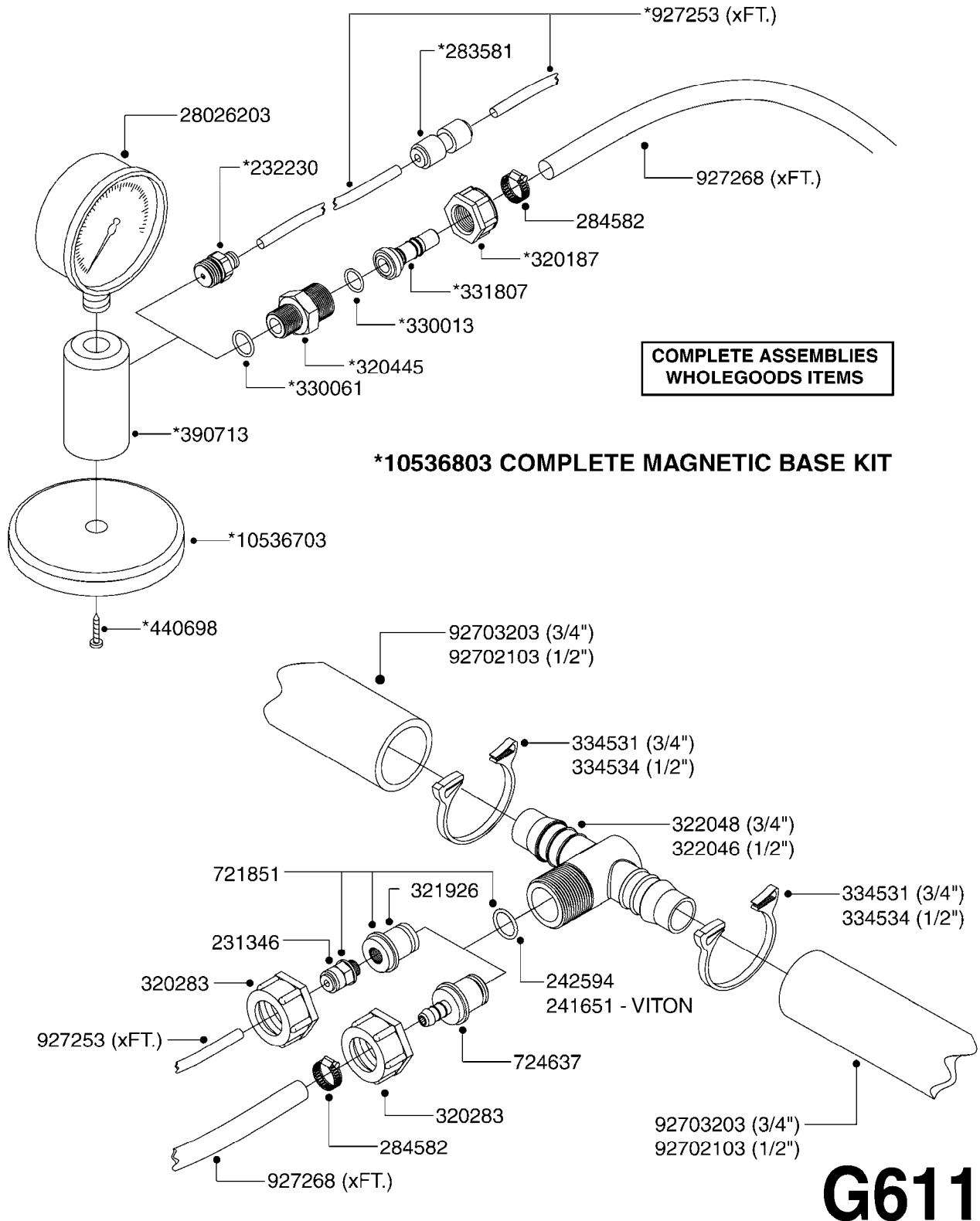


REMOTE GAUGE-ESC SPRAYERS-4"  
G610-HIN, 12:12:05

Page 1

Date 06.04.2015 10:38

| parts-n° | order qty | description                         |
|----------|-----------|-------------------------------------|
| 145632   | 1         | FITT.DK HB 1/4' BRASS F.GUAGE       |
| 146210   | 1         | NUT 1/4'BSP BRASS                   |
| 282391   | 1         | CLAMP HOSE CRIMP 5/16'              |
| 320972   | 1         | FITT.DK HB 5/16'- 1/4' BSP          |
| 330396   | 1         | O-RING D11.2/D6.6X3.2               |
| 421046   | 1         | BOLT HEX 8.8 DEL M8X25 FT A2 DIN933 |
| 460143   | 1         | NUT HEX M8 LOCK A2 DIN985           |
| 927268   | 1         | HOSE R X PVC X 1/4 X 0012"          |
| 10028603 | 1         | WASHER LOCK 5/16'                   |
| 10428003 | 1         | BKT. FOR ESC GAUGE KIT              |
| 28026103 | 1         | GAUGE 200PSI/BR,4",1/4"BSP-BTM      |
| 70043903 | 1         | *GAUGE KIT,4" OP UNIT INFEILD       |



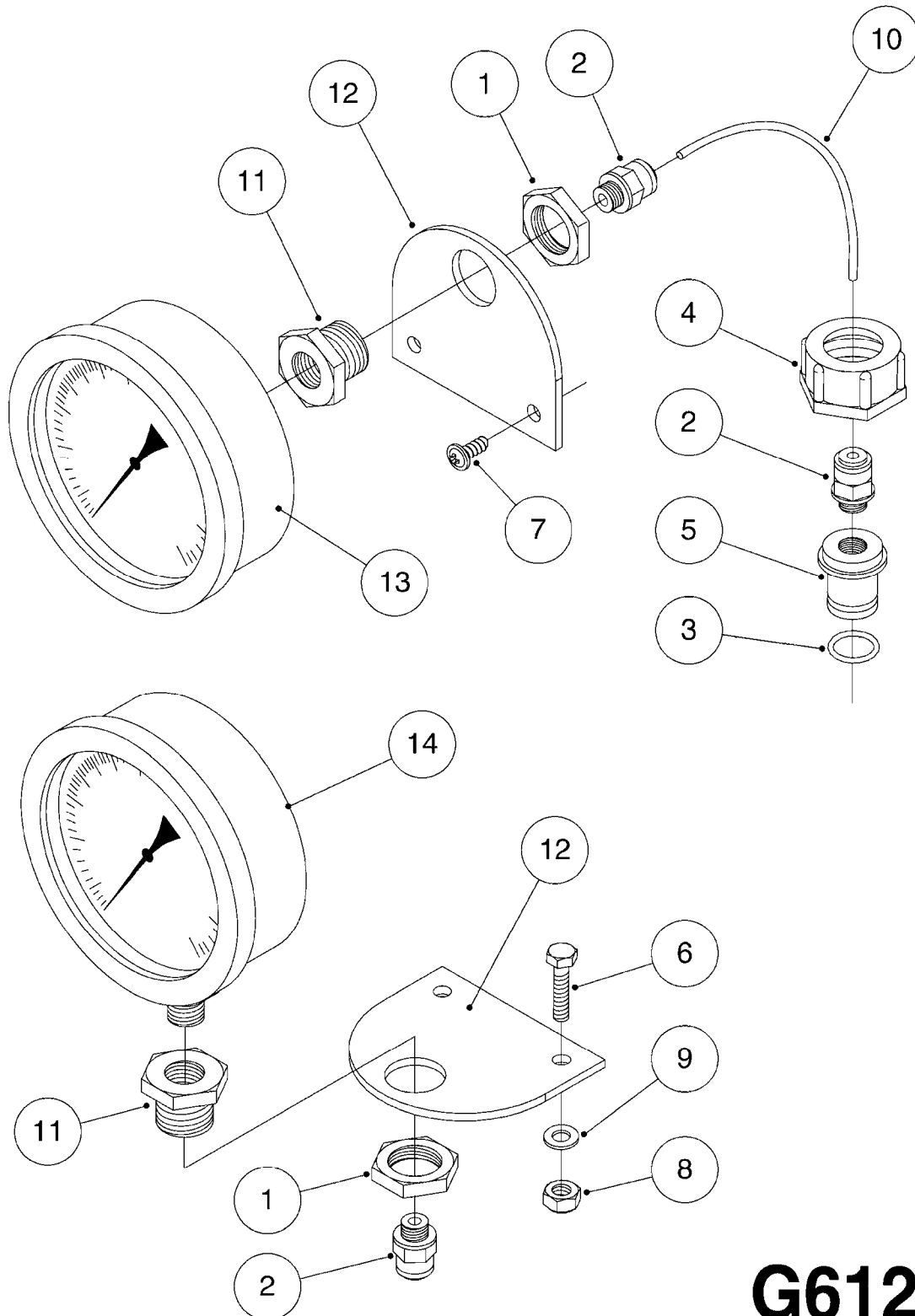


REMOTE GAUGE-MAGNETIC BASE KIT  
G611-HIN, 19:05:11

Page 1

Date 06.04.2015 10:38

| parts-n° | order qty | description                    |
|----------|-----------|--------------------------------|
| 231346   | 1         | QUICK COUPLER 1/8"BSP X 4 MM   |
| 232230   | 1         | QUICK COUPLER 1/4"BSP X 4 MM   |
| 241651   | 1         | O-RING D14.0X3.0 NITRIL        |
| 242594   | 1         | O-RING D14 X 1.78 SCH.70-EPDM  |
| 283581   | 1         | HOSE CONNECTOR STR. F.4MM PE   |
| 284582   | 1         | CLAMP HOSE GEAR - 5/16"        |
| 320187   | 1         | FITT.DK CAP 3/8" BSP BLACK     |
| 320283   | 1         | FITT.DK NUT 3/4"BSP            |
| 320445   | 1         | FITT.DK HN 1/4"X3/8" BSP       |
| 321926   | 1         | FITT.DK REDUC 1/8"BSP F.3/4"N  |
| 322046   | 1         | FITT.DK TEE 1/2X1/2HB X3/4'BSP |
| 322048   | 1         | FITT.DK TEE 3/4X3/4HB X3/4'BSP |
| 330013   | 1         | O-RING D15/D10X2.5 F.3/8"NUT   |
| 330061   | 1         | O-RING D16/D11X2,5             |
| 331807   | 1         | FITT.DK HB 5/16" F.3/8" NUT    |
| 334531   | 1         | CLAMP HOSE PLASTIC 3/4"        |
| 334534   | 1         | CLAMP HOSE PLASTIC 1/2"        |
| 390713   | 1         | GAUGE ADAPTOR 1/4" BSP         |
| 440698   | 1         | SCREW F.PLASTIC 6X18 SS HEXHD  |
| 721851   | 1         | SCREW PLUG W/QUICK FIT         |
| 724637   | 1         | FITT.DK HB 5/16' F. 3/4" COMP. |
| 927253   | 1         | AIR HOSE, DIAMETER 4MM         |
| 927268   | 1         | HOSE R X PVC X 1/4 X 0012"     |
| 10536703 | 1         | MAGNETIC BASE D3,2'/90LB       |
| 10536803 | 1         | MAGNETIC BASE KIT F.GAUGE      |
| 28026203 | 1         | GAUGE 200PSI/BR,2.5"1/4BSP-BTM |
| 92702103 | 1         | HOSE R X1/2" X300PSI WP X0012" |
| 92703203 | 1         | HOSE R X3/4" X300PSI WP X0012" |



**G612**



REMOTE GAUGE - NAVIGATOR M  
G612-HIN, 30:09:14

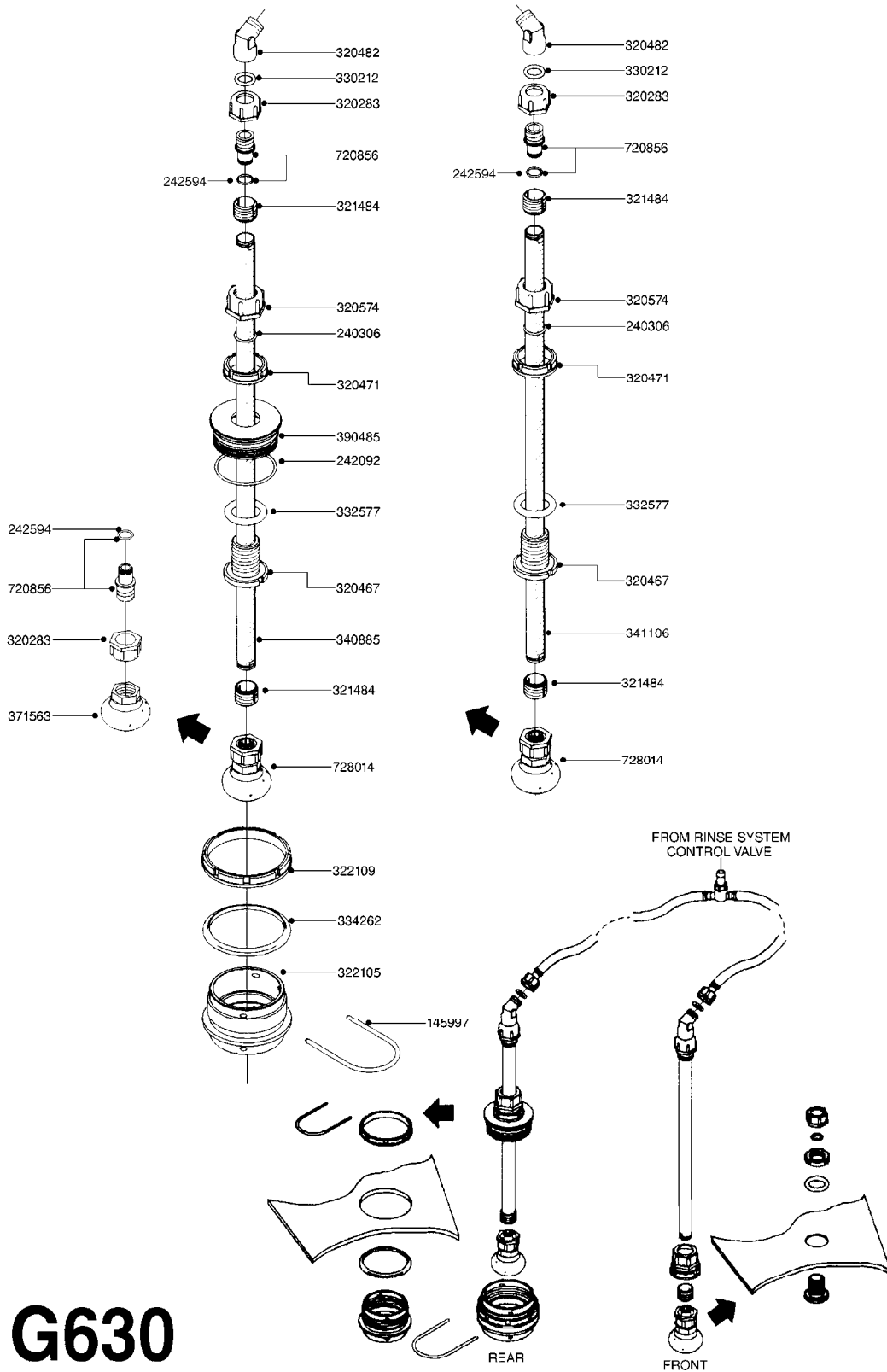
Page 1

Date 06.04.2015 10:38

| Pos. | parts-n° | order qty | description                      |
|------|----------|-----------|----------------------------------|
| 1    | 140766   | 1         | NUT 1/2" BSP                     |
| 2    | 231346   | 1         | QUICK COUPLER 1/8"BSP X 4 MM     |
| 3    | 242594   | 1         | O-RING D14 X 1.78 SCH.70-EPDM    |
| 4    | 320283   | 1         | FITT.DK NUT 3/4"BSP              |
| 5    | 321926   | 1         | FITT.DK REDUC 1/8"BSP F.3/4"N    |
| 6    | 410281   | 1         | BOLT HEX 8.8 DEL M6X25 DIN933 A2 |
| 7    | 440673   | 1         | SCREW F.PLASTIC 5X12 SS          |
| 8    | 460261   | 1         | NUT HEX M6X1 LOCK A2 DIN985      |
| 9    | 471125   | 1         | WASHER M6U D12/D6.4x1.6 SS A2    |
| 10   | 927253   | 1         | AIR HOSE, DIAMETER 4MM           |
| 11   | 14055400 | 1         | FITT.DK REDUC 1/2"x1/8"x1/4"BS   |
| 12   | 16012203 | 1         | MOUNT PLATE F.PRESS. GAUGE D20   |
| 13   | 28014403 | 1         | GAUGE 4"BR REAR PSI200           |
| 14   | 28026103 | 1         | GAUGE 200PSI/BR,4",1/4"BSP-BTM   |
| 14   | 28026203 | 1         | GAUGE 200PSI/BR,2.5"1/4BSP-BTM   |



RINSE SYSTEM NOZZLES  
G630-HIN, 28:11:06



**G630**



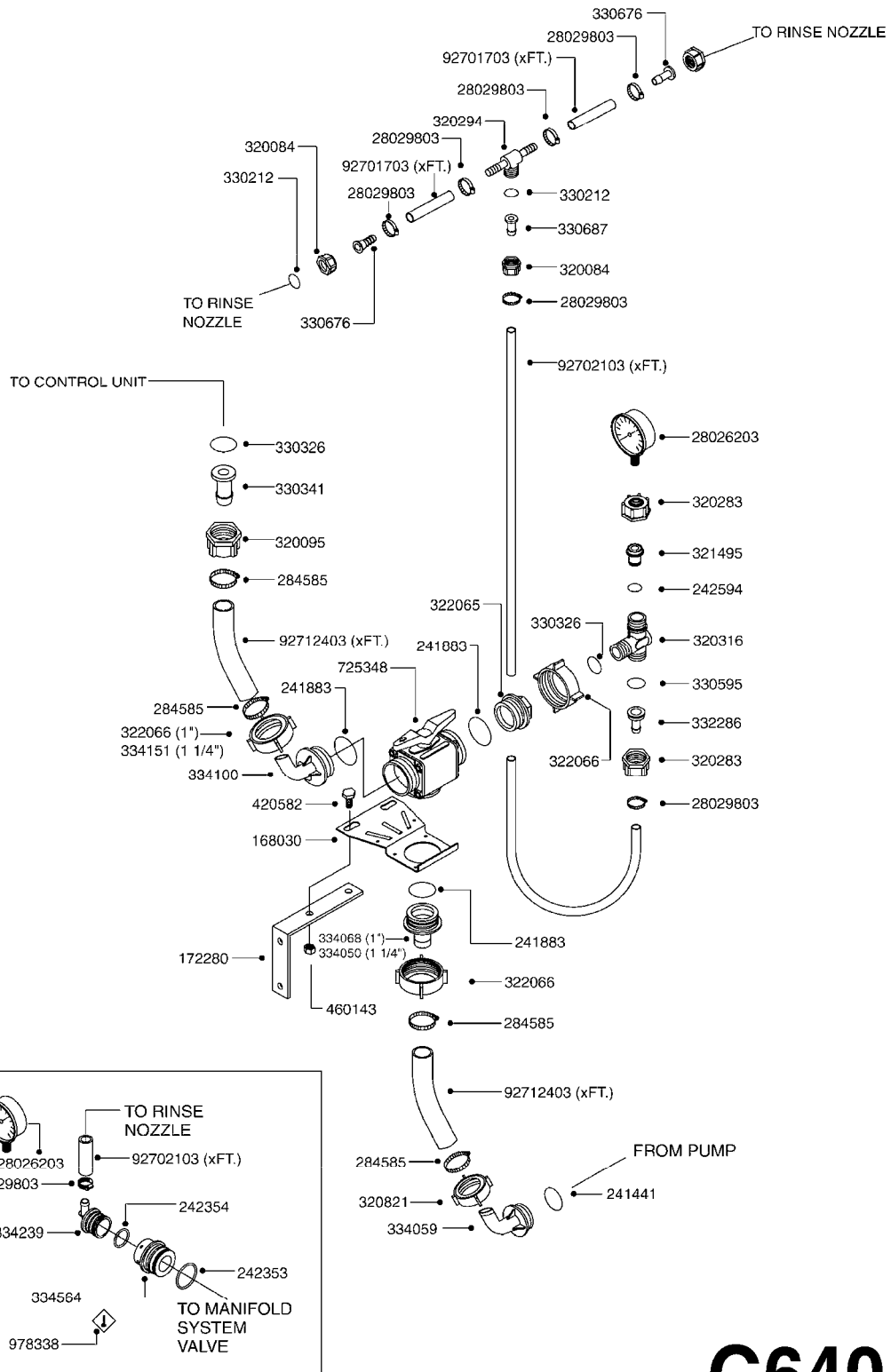
RINSE SYSTEM NOZZLES  
G630-HIN, 28:11:06

Page 1

Date 06.04.2015 10:38

| parts-n° | order qty | description                    |
|----------|-----------|--------------------------------|
| 145997   | 1         | FITT.DK S-93 FORK              |
| 240306   | 1         | O-RING D29/D21X4               |
| 242092   | 1         | O-RING D69.5X3 (Use-242351)    |
| 242594   | 1         | O-RING D14 X 1.78 SCH.70-EPDM  |
| 320283   | 1         | FITT.DK NUT 3/4"BSP            |
| 320467   | 1         | FITT.DK BULKHEAD 1"BSP SINGLE  |
| 320471   | 1         | FITT.DK NUT 1" BSP JAMB        |
| 320482   | 1         | FITT.DK ELB. 1/2" BSP 60 DEG.  |
| 320574   | 1         | FITT.DK NUT 1" BSP SPECIAL     |
| 321484   | 1         | BUSHING THREADED F.NOZZ.TUBE   |
| 322105   | 1         | FITT.DK S-93 BULKHEAD DOUBLE   |
| 322109   | 1         | FITT.DK S-93 BULKHEAD NUT      |
| 330212   | 1         | O-RING D19/D14X2.4 F.1/2"NUT   |
| 332577   | 1         | O-RING D38/D30X4 F.1" PUR.     |
| 334262   | 1         | GASKET F.S-93 BULKHEAD         |
| 340885   | 1         | TUBE F. RINSE NOZZLE L=600     |
| 341106   | 1         | TUBE F.RINSE NOZZLE L=220      |
| 371563   | 1         | NOZZLE FOR TANK RINSE          |
| 390485   | 1         | FITT.DK S-93 PLUG W D34 HOLE   |
| 720856   | 1         | FITT.DK 1/2'BSP ASSY.F.3/4'NUT |
| 728014   | 1         | RINSE NOZZLE MOUNTED           |



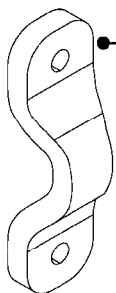


RINSE SYSTEM- MANIFOLD SYSTEM

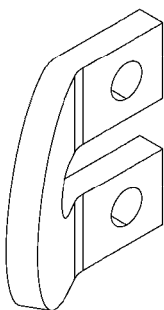
# G640



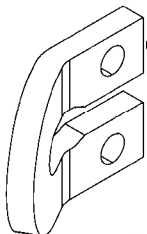
| parts-n° | order qty | description                    |
|----------|-----------|--------------------------------|
| 168030   | 1         | BRACKET F/3 WAY VALVE          |
| 172280   | 1         | FLATBAR 30X5 L=270 4XD9 90DEG. |
| 241441   | 1         | O-RING D29.3X3                 |
| 241883   | 1         | O-RING D39.2X3 NITRIL 242020   |
| 242353   | 1         | O-RING D44.2X3.0 VITON F.S-67  |
| 242354   | 1         | O-RING D32.2X3.0 VITON F.S-53  |
| 242594   | 1         | O-RING D14 X 1.78 SCH.70-EPDM  |
| 284585   | 1         | CLAMP HOSE GEAR 1" MINI 020    |
| 320084   | 1         | FITT.DK NUT 1/2" BSP           |
| 320095   | 1         | FITT.DK NUT 1" BSP             |
| 320283   | 1         | FITT.DK NUT 3/4"BSP            |
| 320294   | 1         | FITT.DK TEE 3/8X3/8HB X1/2"BSP |
| 320316   | 1         | FITT.DK TEE 3/4" X3/4" X1"BSP  |
| 320821   | 1         | FITT.DK NUT 1-1/2" BSP         |
| 321495   | 1         | FITT.DK REDUC 1/4'BSP F.3/4'NT |
| 322065   | 1         | FITT.DK UNION 1' BSP/S-56      |
| 322066   | 1         | FITT.DK S-56 NUT               |
| 330212   | 1         | O-RING D19/D14X2.4 F.1/2"NUT   |
| 330326   | 1         | O-RING D30/D24X2 F.1"NUT       |
| 330341   | 1         | FITT.DK HB 1" F. 1" NUT        |
| 330595   | 1         | O-RING D24.6/D20X2.1 -3/4"     |
| 330676   | 1         | FITT.DK HB 3/8" F. 1/2" NUT    |
| 330687   | 1         | FITT.DK HB 1/2" F. 1/2" NUT    |
| 332286   | 1         | FITT.DK HB 1/2" F. 3/4" NUT    |
| 334050   | 1         | FITT.DK S-61 STR.1-1/4"        |
| 334059   | 1         | FITT.DK EL 1" 110 DEG.F.1-1/2" |
| 334068   | 1         | FITT.DK S-61 STR.1"            |
| 334100   | 1         | FITT.DK S-61 ELB.1" 110 DEG.   |
| 334151   | 1         | FITT.DK S-61 ELB.1-1/4"110 DEG |
| 334239   | 1         | FITT.DK S-53 ELB.1/2"          |
| 334564   | 1         | FITT.DK S-67 TO S-53 ADAPTER   |
| 420582   | 1         | BOLT HEX 8.8 DEL M8X20 FT A2   |
| 460143   | 1         | NUT HEX M8 LOCK A2 DIN985      |
| 725348   | 1         | VALVE 3 WAY BLUE               |
| 978338   | 1         | DECAL MANIFOLD SYS.RINSE NOZ   |
| 28026203 | 1         | GAUGE 200PSI/BR,2.5"1/4BSP-BTM |
| 28029803 | 1         | CLAMP HOSE GEAR P1/2" 6708     |
| 92701703 | 1         | HOSE R X3/8" X300PSI WP X0012" |
| 92702103 | 1         | HOSE R X1/2" X300PSI WP X0012" |
| 92712403 | 1         | HOSE R X1" X300PSI WP X0012"   |



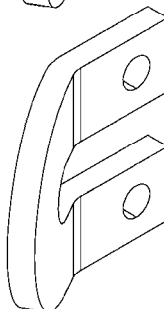
16023103: CM1500



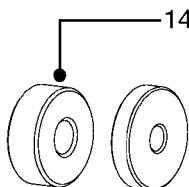
16056103: CM+1200



16056003: CM+750

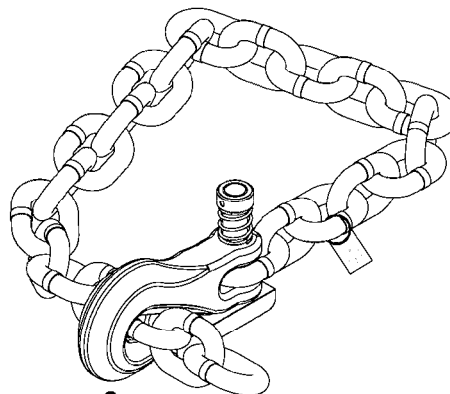


16020303: NEW NAV1100  
NEW NAV575  
TR/PS/NS

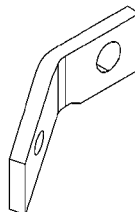


14001103: NAV550/800/1000

14001203: NAV550/800/1000



28017703: CM+1200/CM1500  
29000403: CM+750/NAVM/NAV575/TR/PS/NS  
28014703: NEW NAV1100



10275803: TR300/500

COMPLETE ASSEMBLIES:

- 70016803: CM1500
- 83312203: CM+1200
- 83312103: CM+750
- 83312003: NEW NAV1100
- 83311903: NEW NAV575
- 70012403: NAV550/800/1000
- 10276003: TR300/500

**G645**

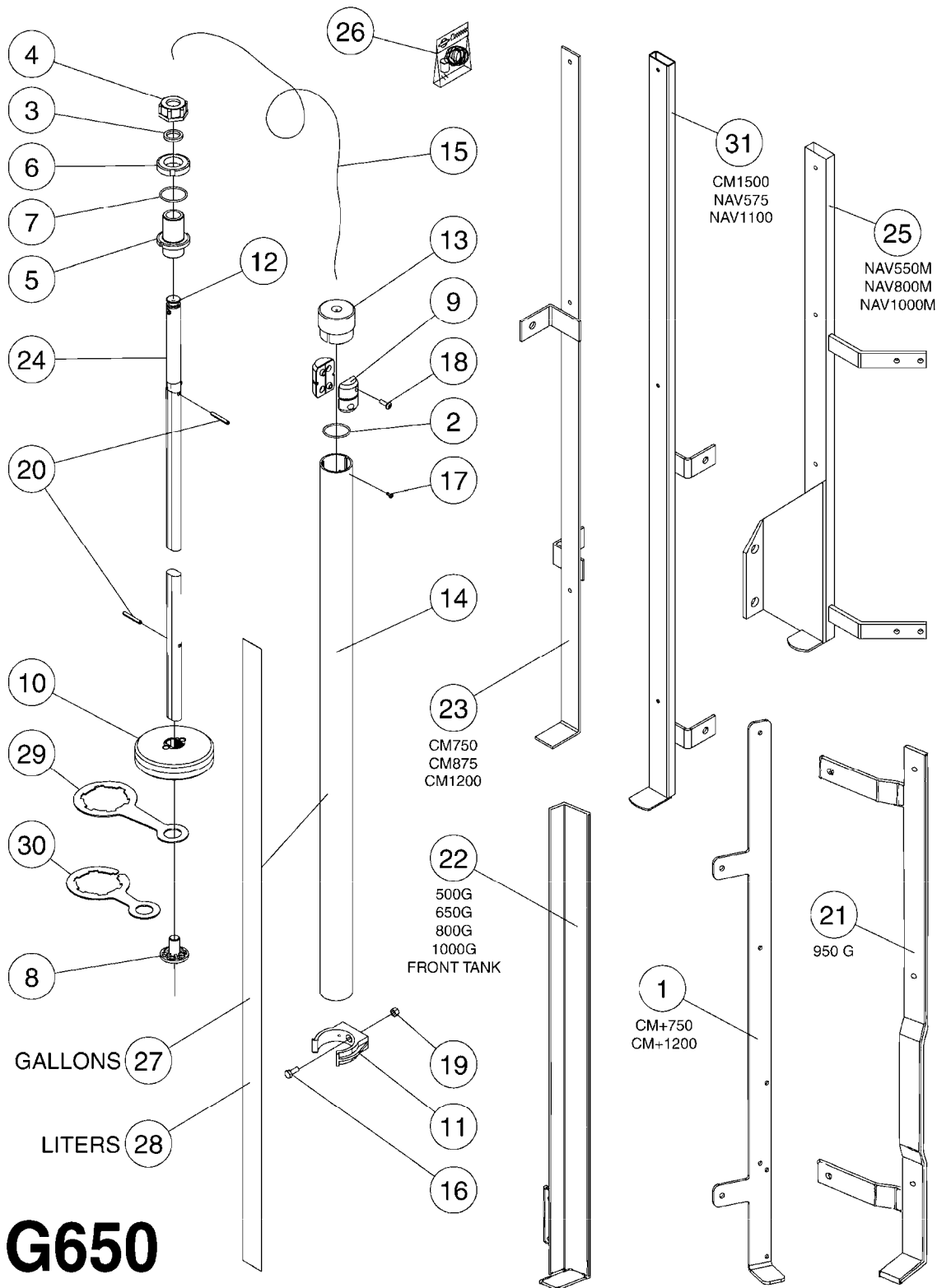


SAFETY CHAINS  
G645-HIN, 12:12:05

Page 1

Date 06.04.2015 10:38

| parts-n° | order qty | description                    |
|----------|-----------|--------------------------------|
| 10275803 | 1         | CHAIN BKT. FOR TR300/500/TX650 |
| 10276003 | 1         | SAFETY CHAIN KIT TR300/500     |
| 14001103 | 1         | MOUNTING HUB F. SAFETY CHAIN   |
| 14001203 | 1         | MNT WASHER F. SAFE CHAIN KIT   |
| 16020303 | 1         | SAFETY CHAIN MNT.BRKT.30,400LB |
| 16023103 | 1         | SAFETY CHAIN MNT.BRKT.40,500LB |
| 16056003 | 1         | SAFETY CHAIN MNT.BRKT.16100 lb |
| 16056103 | 1         | SAFETY CHAIN MNT.BRKT.40500 lb |
| 28014703 | 1         | SAFETY CHAIN 30,400LBS CERT.   |
| 28017703 | 1         | SAFETY CHAIN 40,500LBS CERT.   |
| 29000403 | 1         | SAFETY CHAIN CERT 16100LB      |
| 70012403 | 1         | *SAFETY CHAIN KIT 16100LB NAV  |
| 70016803 | 1         | SAFETY CHAIN KIT CM1500        |
| 83311903 | 1         | SAFTY CHAIN KIT 575 NAV.       |
| 83312003 | 1         | SAFETY CHAIN KIT 1100 NAV.     |
| 83312103 | 1         | SAFETY CHAIN KIT CM+750        |
| 83312203 | 1         | SAFETY CHAIN KIT CM+1200       |





SIGHT GAUGE - REMOTE  
G650-HIN, 13:06:11

Page

1

Date

06.04.2015 10:38

| Pos. | parts-n° | order qty | description                                            |
|------|----------|-----------|--------------------------------------------------------|
| 1    | 161950   | 1         | SIGHT GAUGE MT BKT CM+ 750/120                         |
| 2    | 242262   | 1         | O-RING D31X3 VITON                                     |
| 3    | 242309   | 1         | SEAL Ø22 ID Ø30 OD X 4 HIGH                            |
| 4    | 320095   | 1         | FITT.DK NUT 1" BSP                                     |
| 5    | 320456   | 1         | FITT.DK BULKHEAD 1"BSP DOUBLE                          |
| 6    | 320471   | 1         | FITT.DK NUT 1" BSP JAMB                                |
| 7    | 332577   | 1         | O-RING D38/D30X4 F.1" PUR.                             |
| 8    | 333864   | 1         | GUIDE F. SAFETY VALVE SPRING                           |
| 9    | 334513   | 1         | MARKER HALF SIGHT GAUGE                                |
| 10   | 334515   | 1         | FLOATER FOR LIQUID LEVEL                               |
| 11   | 334523   | 1         | PIPE HOLDER D51.5                                      |
| 12   | 334849   | 1         | SIGHT GAUGE GUIDE F. SS TUBE                           |
| 13   | 334850   | 1         | GUIDE F. SIGHT GAUGE TUBE TOP                          |
| 14   | 34000703 | 1         | TUBE F. DRY GAUGE L=1200 BENT<br>RANGER 2200           |
| 14   | 341202   | 1         | TUBE F.SIGHT GAUGE L=40"                               |
| 14   | 341204   | 1         | SIGHT GAUGE TUBE L=59"                                 |
| 14   | 341273   | 1         | TUBE F.SIGHT GAUGE L=65"                               |
| 14   | 341283   | 1         | TUBE F.SIGHT GAUGE L=72"                               |
| 14   | 341307   | 1         | TUBE F.SIGHT GAUGE L=75"<br>NCM 4400                   |
| 14   | 341339   | 1         | TUBE F.SIGHT GAUGE L=82"<br>NCM 6600                   |
| 14   | 341340   | 1         | TUBE F.SIGHT GAUGE L=94" (2382)<br>NCM 9000            |
| 15   | 28034100 | 1         | CABLE F.LIQUID LEVEL IND.L=5M                          |
| 15   | 390487   | 1         | CORD NYLON/SIGHT GAUGE 4500mm                          |
| 16   | 410185   | 1         | BOLT HEX 8.8 DEL M6X16 A2                              |
| 16   | 410362   | 1         | BOLT HEX 8.8 SS M6X20 FT                               |
| 17   | 440663   | 1         | SCREW 3/8" NR4 STAINLESS                               |
| 18   | 440677   | 1         | SCREW F. PLASTIC 5X20 SS                               |
| 19   | 460261   | 1         | NUT HEX M6X1 LOCK A2 DIN985                            |
| 20   | 480717   | 1         | PIN D5 X 40 STAINLESS                                  |
| 20   | 480730   | 1         | PIN ROLL 5X30 STAINLESS STEEL                          |
| 21   | 615197   | 1         | BKT.SIGHT GAUGE HC950                                  |
| 22   | 615308   | 1         | BRACKET FOR SIGHT TUBE                                 |
| 23   | 615941   | 1         | SIGHT GAUGE MOUNT BRACKET CM                           |
| 24   | 61022100 | 1         | GUIDE TUBE F NP1100/CM1500                             |
| 24   | 61022600 | 1         | GUIDE TUBE F.FLOATER NAV 575G<br>NAV 575 & RANGER 2200 |
| 24   | 61036700 | 1         | GUIDE TUBE F.FLOAT NCM 4400<br>NCM 4400 & NAV 4000     |
| 24   | 61038600 | 1         | GUIDE TUBE F.FLOAT NCM 9000                            |
| 24   | 61038700 | 1         | GUIDE TUBE F.FLOAT NCM 6600                            |
| 24   | 615942   | 1         | GUIDE TUBE F.FLOATER CM1200G                           |
| 24   | 615943   | 1         | GUIDE TUBE F.FLOATER CM875G                            |
| 24   | 615944   | 1         | GUIDE TUBE F.FLOTR 750G 1695mm                         |
| 24   | 615945   | 1         | GUIDE TUBE F.FLOATER NAV 3000<br>NAV 3000 & HC650      |
| 24   | 615947   | 1         | GUIDE TUBE F.FLOATER TR 500G<br>NAV 3000 & HC650       |
| 24   | 615948   | 1         | GUIDE TUBE F.FLOATER MEGA 350G                         |
| 24   | 615949   | 1         | GUIDE TUBE F.FLOATER MEGA 230G                         |
| 24   | 615951   | 1         | GUIDE TUBE F.FLOATER NAV800G                           |
| 24   | 615952   | 1         | GUIDE TUBE F.FLOATER NAV1000G                          |
| 24   | 615954   | 1         | GUIDE TUBE F. FLOATER F.T.250G                         |
| 24   | 615955   | 1         | GUIDE TUBE F.FLOATER FT.350G                           |
| 24   | 615957   | 1         | GUIDE TUBE F.FLOATER NAV.550G                          |
| 25   | 637998   | 1         | MANIFOLD BKT. NAVIGATOR                                |
| 26   | 741527   | 1         | SIGHT GAUGE KIT SS WIRE '98                            |
| 27   | 10637303 | 1         | DECAL SCALE F.270G MISTBLOWER                          |



SIGHT GAUGE - REMOTE  
G650-HIN, 13:06:11

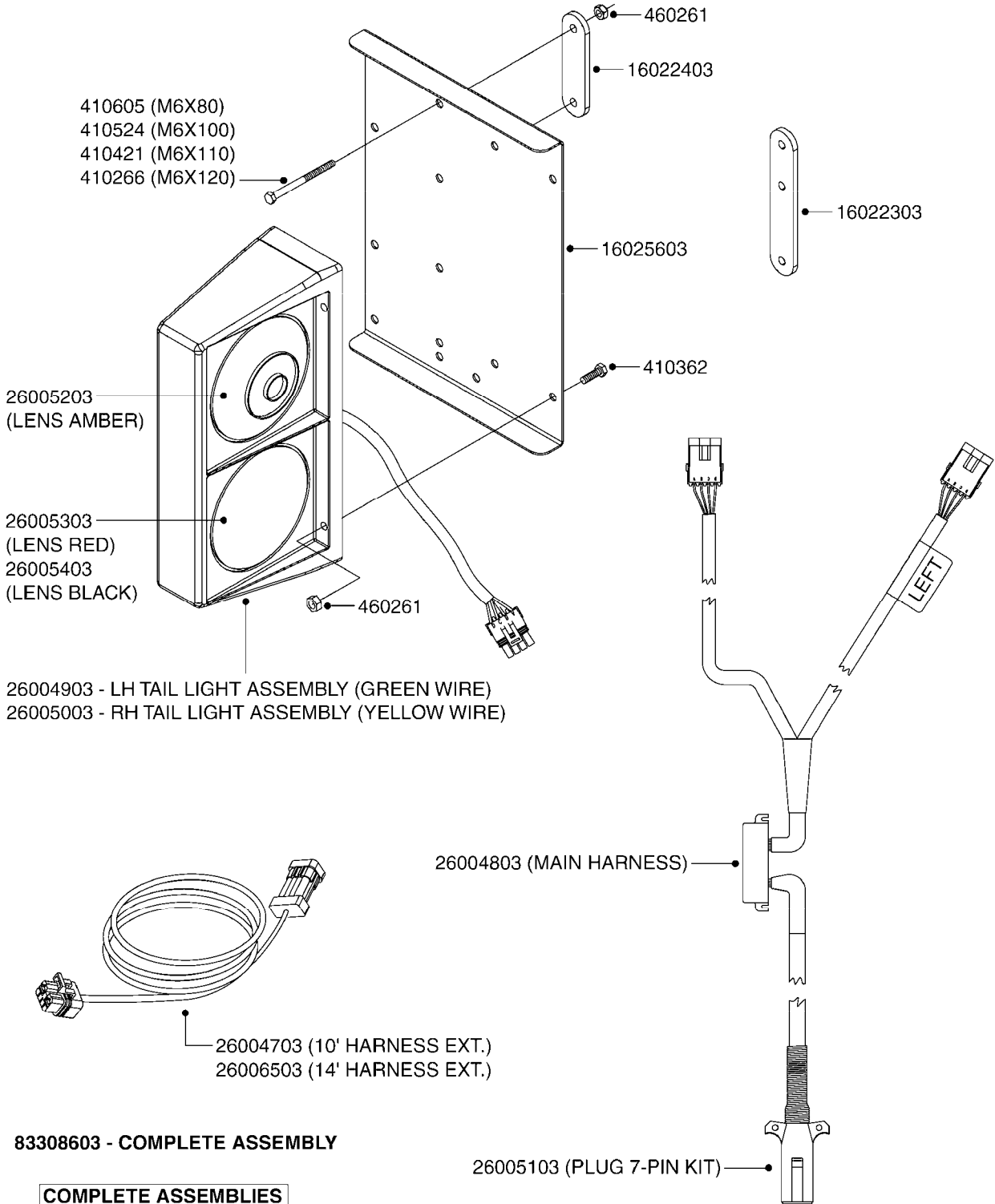
Page

2

Date

06.04.2015 10:38

| Pos. | parts-n° | order qty | description                                             |
|------|----------|-----------|---------------------------------------------------------|
| 27   | 10637403 | 1         | DECAL SCALE M/BLOWER 500 USGAL                          |
| 27   | 97600003 | 1         | DECAL S/G TUBE 500GAL-99                                |
| 27   | 97602603 | 1         | DECAL S/G TUBE CM 1500                                  |
| 27   | 97604803 | 1         | DECAL SIGHT GAUGE 1100 NAV.                             |
| 27   | 97604903 | 1         | DECAL SIGHT GAUGE 575 NAV.                              |
| 27   | 97608903 | 1         | DECAL SIGHT GAUGE 550M NAV.                             |
| 27   | 97609403 | 1         | DECAL SIGHT GAUGE CM4400 GAL.<br>NCM 4400 (1200 GAL.)   |
| 27   | 97609703 | 1         | DECAL S/G RANGER 2200 (600 G)<br>RANGER 2200 (600 GAL.) |
| 27   | 97609803 | 1         | DECAL SIGHT GAUGE CM6600 GAL.<br>NCM 6600 (1850 GAL.)   |
| 27   | 97610003 | 1         | DECAL SIGHT GAUGE NCM 9000 GAL<br>NCM 9000 (2400 GAL.)  |
| 27   | 97610203 | 1         | DECAL SIGHT GAUGE NAV 3000 GAL<br>NAV 3000 (800 GAL.)   |
| 27   | 97610403 | 1         | DECAL SIGHT GAUGE NAV 4000 GAL<br>NAV 4000 (1200 GAL.)  |
| 27   | 97611503 | 1         | DECAL SIGHT GAUGE NAV 3500 GAL<br>NAV 3500 (1000 GAL.)  |
| 27   | 97613303 | 1         | DECAL S/G RANGER 2000 (GALLON)                          |
| 27   | 978056   | 1         | DECAL S/G TUBE 500GAL-99                                |
| 27   | 978324   | 1         | DECAL SCALE HC650                                       |
| 27   | 978327   | 1         | DECAL SCALE 500                                         |
| 27   | 978329   | 1         | DECAL SCALE HC950                                       |
| 27   | 978387   | 1         | DECAL SCALE NAV 800                                     |
| 27   | 978388   | 1         | DECAL SCALE NAV 1000                                    |
| 27   | 978431   | 1         | DECAL SCALE MEGA 230 G                                  |
| 27   | 978432   | 1         | DECAL SCALE MEGA 350 G                                  |
| 27   | 978469   | 1         | DECAL SCALE F.TANK 250G                                 |
| 27   | 978470   | 1         | DECAL SCALE F.TANK 350G                                 |
| 27   | 978610   | 1         | DECAL SCALE CM750 US GAL                                |
| 27   | 978691   | 1         | DECAL SCALE CM875                                       |
| 27   | 978692   | 1         | DECAL SCALE CM1200                                      |
| 28   | 89109004 | 1         | DECAL SIGHT GAUGE 9000 LITERS                           |
| 28   | 97607203 | 1         | DECAL S/G TUBE 4200L. NEW NAV                           |
| 28   | 97609903 | 1         | DECAL S/G RANGER 2200 LITERS                            |
| 28   | 97610503 | 1         | DECAL SIGHT GAUGE NAV 4000 LIT                          |
| 28   | 97611403 | 1         | DECAL SIGHT GAUGE NAV 3500 LIT                          |
| 28   | 97613403 | 1         | DECAL S/G RANGER 2000 (LITER)                           |
| 28   | 97808000 | 1         | DECAL SIGHT GAUGE CM4400 LITER                          |
| 28   | 978127   | 1         | DECAL SCALE NAV550M METRIC                              |
| 28   | 978128   | 1         | DECAL SCALE NAV800M METRIC                              |
| 28   | 978129   | 1         | DECAL SCALE NAV1000M METRIC                             |
| 28   | 97813700 | 1         | DECAL SIGHT GAUGE CM6600 LITER                          |
| 28   | 97820900 | 1         | DECAL SIGHT GAUGE NAV 3000 LTR                          |
| 28   | 978291   | 1         | DECAL SCALE HC950M METRIC                               |
| 28   | 978313   | 1         | DECAL SCALE HC650M METRIC                               |
| 28   | 978589   | 1         | DECAL SCALE CM 3200 LITERS                              |
| 28   | 978590   | 1         | DECAL SCALE CM 4200 LITERS                              |
| 28   | 978690   | 1         | DECAL SCALE CM750 METRIC                                |
| 29   | 16025500 | 1         | TANK SPACER SIGHT GAUGE                                 |
| 30   | 16135600 | 1         | GUIDE FOR SIGHT GAUGE NAV/NCM                           |
| 31   | 61005703 | 1         | BRACKET WELD SIGHT GAUGE                                |



COMPLETE ASSEMBLIES  
WHOLEGOODS ITEMS

# G680



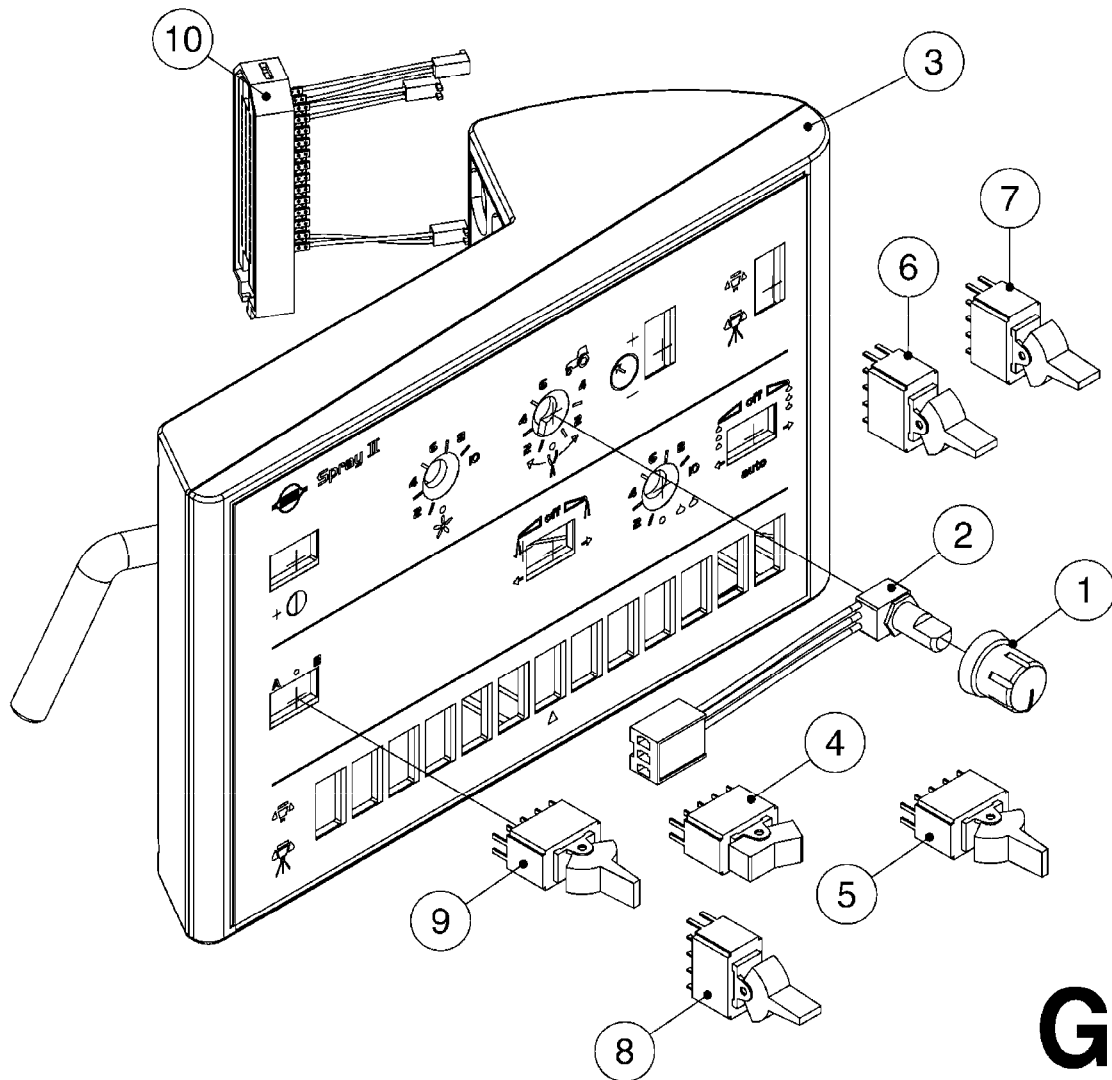


TRAFFIC LIGHT KIT  
G680-HIN, 01:01:01

Page 1

Date 06.04.2015 10:38

| parts-n° | order qty | description                  |
|----------|-----------|------------------------------|
| 410266   | 1         | BOLT HEX 8.8 DEL M6X120      |
| 410362   | 1         | BOLT HEX 8.8 SS M6X20 FT     |
| 410421   | 1         | BOLT HEX M6X110 DIN931-A2 SS |
| 410524   | 1         | BOLT HEX 8.8 DEL M6X100      |
| 410605   | 1         | BOLT HEX 8.8 DEL M6X80       |
| 460261   | 1         | NUT HEX M6X1 LOCK A2 DIN985  |
| 16022303 | 1         | BRACKET 100MM TUBE           |
| 16022403 | 1         | BRACKET 60MM TUBE            |
| 16025603 | 1         | BRACKET TAIL LIGHT DUAL LAMP |
| 26004703 | 1         | HARNESS 13' EXT 4 WIRE WP    |
| 26004803 | 1         | HARNESS MAIN TAIL LIGHT      |
| 26004903 | 1         | TAIL LIGHT GREEN WIRE LH     |
| 26005003 | 1         | TAIL LIGHT YELLOW WIRE RH    |
| 26005103 | 1         | PLUG 7-PIN AG TAIL LIGHT     |
| 26005203 | 1         | LENS AMBER BEFORE 2009       |
| 26005303 | 1         | LENS RED BEFORE 2009         |
| 26005403 | 1         | LENS BLACK BEFORE 2009       |
| 26006503 | 1         | HARNESS 14' EXT 4 WIRE WP    |
| 83308603 | 1         | TRAFFIC LIGHT KIT            |



**G702**



SPRAYBOX II  
G702-HIN, 05:08:14

Page 1

Date 06.04.2015 10:38

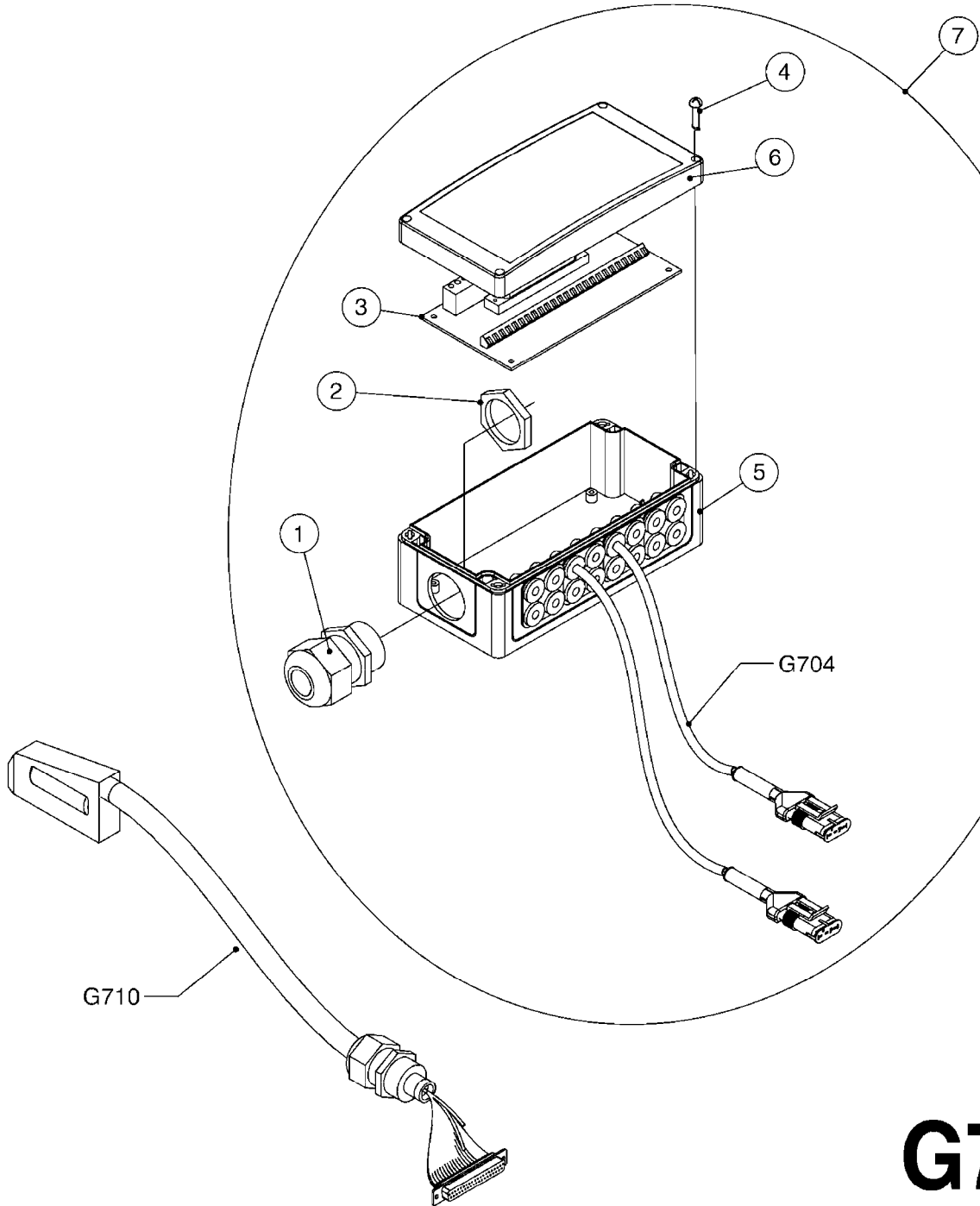
| Pos. | parts-n° | order qty | description                    |
|------|----------|-----------|--------------------------------|
| 1    | 26000400 | 1         | KNOB F.FOAM ADJUST HC5500      |
| 2    | 26005300 | 1         | POT.METER F. SPRAYBOX II       |
| 3    | 26010200 | 1         | CONTROL BOX 2SEC, SPRAY BOX II |
| 3    | 26010300 | 1         | CONTROL BOX 3SEC, SPRAY BOX II |
| 3    | 26010400 | 1         | CONTROL BOX 4SEC, SPRAY BOX II |
| 3    | 26010500 | 1         | CONTROL BOX 5SEC, SPRAY BOX II |
| 3    | 26010600 | 1         | CONTROL BOX 6SEC, SPRAY BOX II |
| 3    | 26010700 | 1         | CONTROL BOX 7SEC, SPRAY BOX II |
| 3    | 26010800 | 1         | CONTROL BOX 8SEC, SPRAY BOX II |
| 3    | 26010900 | 1         | CONTROL BOX 9SEC, SPRAYBOX II  |
| 3    | 26011000 | 1         | SPRAY CONT. II EVC 4 SEC. HAZ  |
| 3    | 26011100 | 1         | SPRAY CONT. II EVC 5 SEC. HAZ  |
| 3    | 26011200 | 1         | SPRAY CONT. II EVC 6 SEC. HAZ  |
| 3    | 26011300 | 1         | SPRAY CONT. II EVC 7 SEC. HAZ  |
| 3    | 26013600 | 1         | CONTROL BOX 13SEC, SPRAYBOX II |
| 4    | 26020200 | 1         | SWITCH ON-ON SP ROCKER RED     |
| 5    | 26020300 | 1         | SWITCH ON-OFF-ON SP BLACK      |
| 6    | 26020400 | 1         | SWITCH MOM-OFF-MOM SP YELLOW   |
| 7    | 26020600 | 1         | SWITCH ON-ON SP GREEN          |
| 8    | 26020800 | 1         | SWITCH ON-ON DP GREEN          |
| 9    | 26021000 | 1         | SWITCH ON-OFF-ON DP BLACK      |
| 10   | 28031400 | 1         | PLUG 39-POLE FEMALE HC5500     |



JUNCTION BOX - LIQUID  
G705-HIN, 01:12:10

Page 0

Date 06.04.2015 10:38



**G705**



JUNCTION BOX - LIQUID  
G705-HIN, 01:12:10

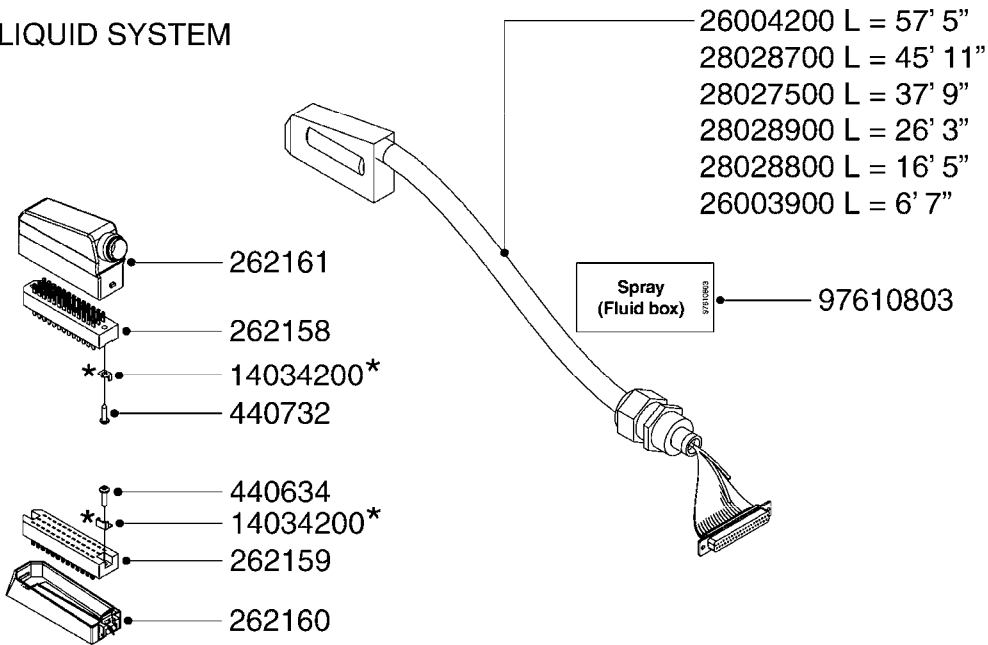
Page 1

Date 06.04.2015 10:38

| Pos. | parts-n° | order qty | description                                |
|------|----------|-----------|--------------------------------------------|
| 1    | 262106   | 1         | BULKHEAD F. CABLE 6.5-14 BLACK             |
| 2    | 262107   | 1         | NUT F. BULKHEAD CABLE BLACK                |
| 3    | 26004800 | 1         | CIRCUIT BD SEC VLV NCM 13SEC<br>13 SECTION |
| 3    | 72173900 | 1         | CIRCUIT BD SEC VLV 39PIN 9SEC<br>9 SECTION |
| 4    | 28082100 | 1         | SCREW F. BOX LID 1/4" L=20                 |
| 5    | 33508700 | 1         | BOX 160X80X40 BLACK 1-HOLE                 |
| 6    | 33508800 | 1         | LID 160X80X15 BLK W/SCREWS                 |
| 7    | 72115400 | 1         | CONNECTION BOX F. OP. UNIT SV9             |

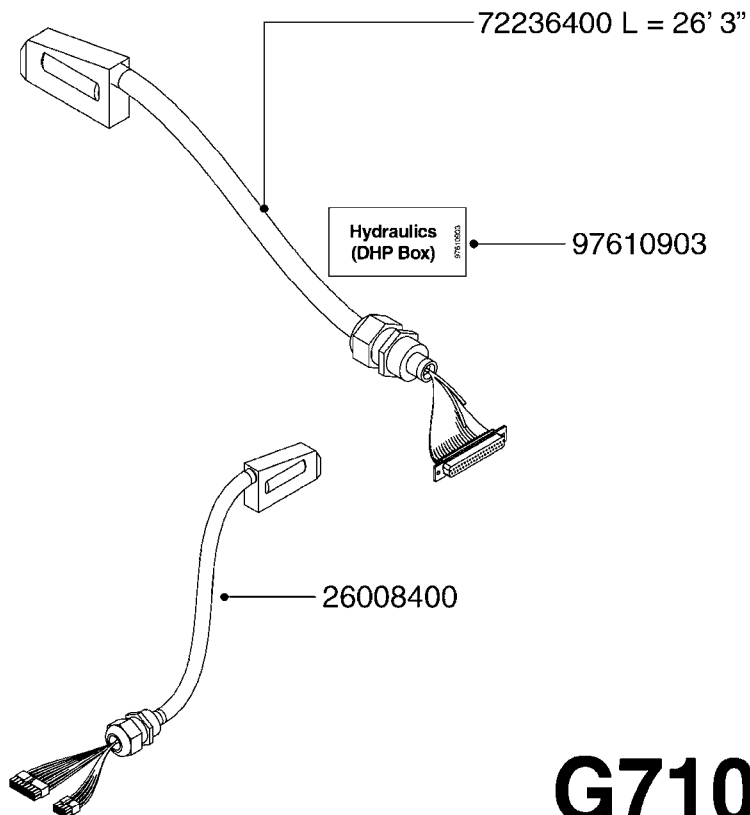
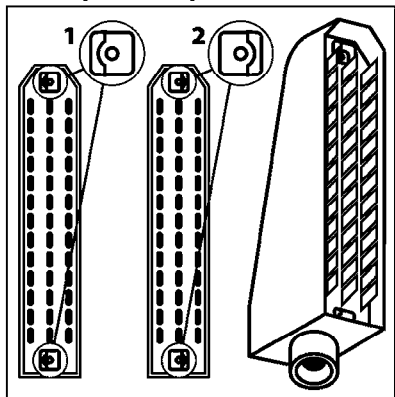


### LIQUID SYSTEM



### HYDRAULIC SYSTEM

\* Note orientation of bracket  
 1 = Liquid system  
 2 = Hydraulic system



# G710



39 PIN CABLES  
G710-HIN, 16:05:12

Page 1  
Date 06.04.2015 10:38

| parts-n° | order qty | description                   |
|----------|-----------|-------------------------------|
| 262158   | 1         | PLUG INSERT 39 POLE MALE      |
| 262159   | 1         | PLUG INSERT 39 POLE FEMALE    |
| 262160   | 1         | PLUG HOUSING 39 POLE FEMALE   |
| 262161   | 1         | PLUG HOUSING F/39 POLE MALE   |
| 440634   | 1         | SCREW 5/8"                    |
| 440732   | 1         | PT SCREW 35X12B Z5452 ELZ     |
| 14034200 | 1         | CODE BRACKET FOR 39 PIN CABLE |
| 26003900 | 1         | WIRE 37-39 PIN EVC, 6.6'      |
| 26004200 | 1         | WIRE 37-39 PIN EVC, 57.4'     |
| 26008400 | 1         | WIRE 39-PIN 24 WIRE L=8M      |
| 28027500 | 1         | WIRE 37-39 PIN EVC, 37.7'     |
| 28028700 | 1         | WIRE 37-39 PIN EVC, 45.9'     |
| 28028800 | 1         | WIRE 37-39 PIN EVC, 16.4'     |
| 28028900 | 1         | WIRE 37-39 PIN EVC, 26.2'     |
| 72236400 | 1         | DAH CONN. WIRE/TRACTOR L=8M   |
| 97610803 | 1         | DECAL-SRAY BOX 39-PIN         |
| 97610903 | 1         | DECAL-HYDRAULIC BOX 39-PIN    |



COMPLETE KIT NO  
LONGER AVAILABLE.  
FOR '09 KIT  
SEE PAGE

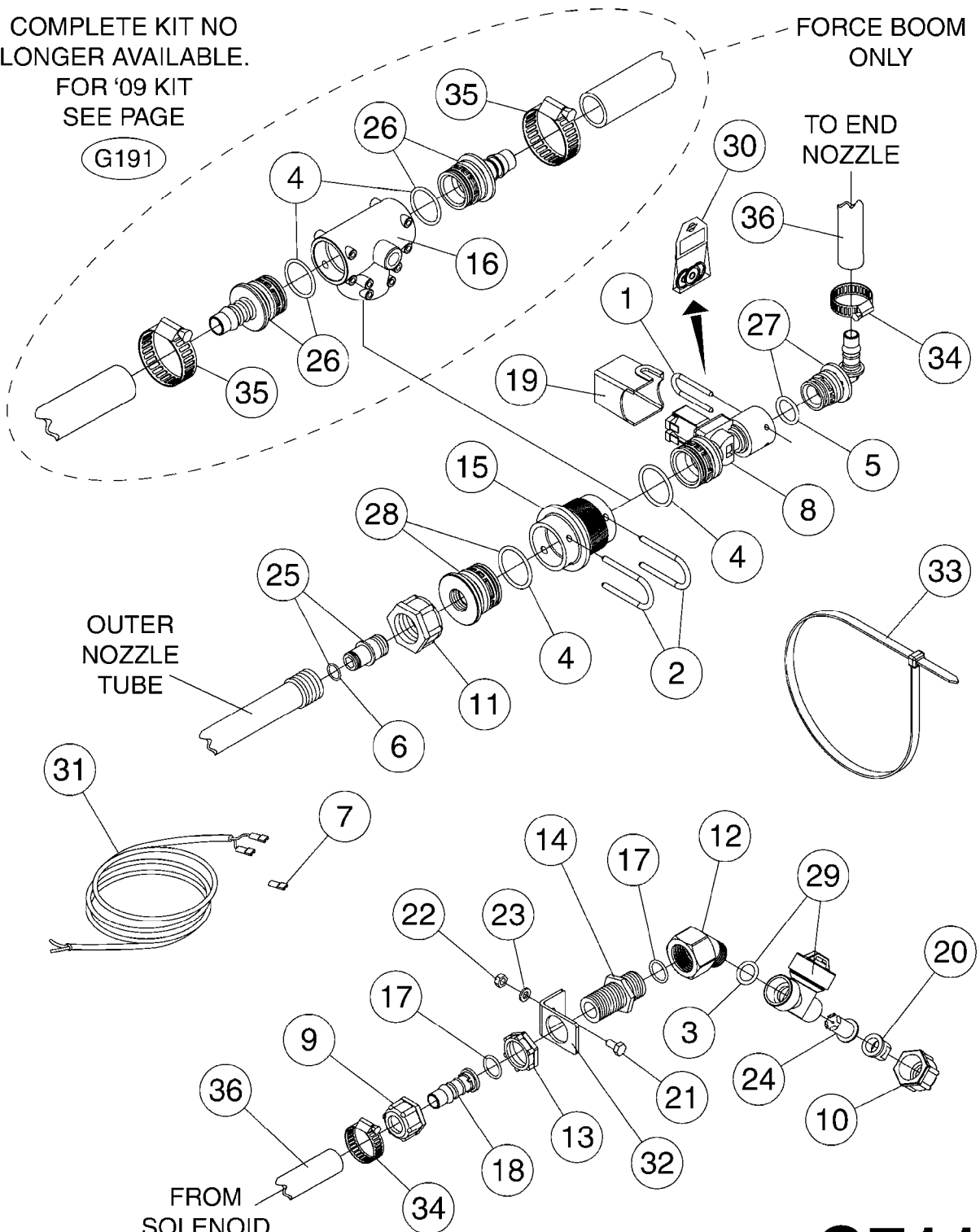
G191

FORCE BOOM  
ONLY

TO END  
NOZZLE

OUTER  
NOZZLE  
TUBE

FROM  
SOLENOID  
ASSEMBLY



**G711**



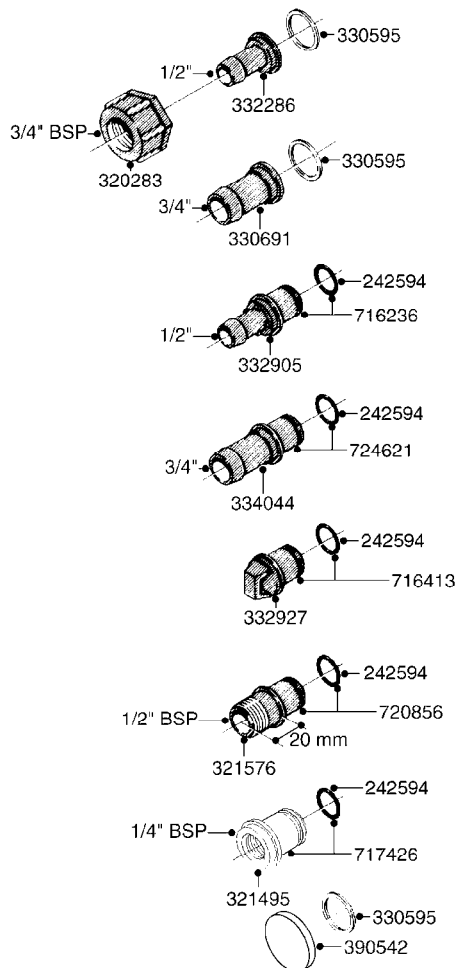
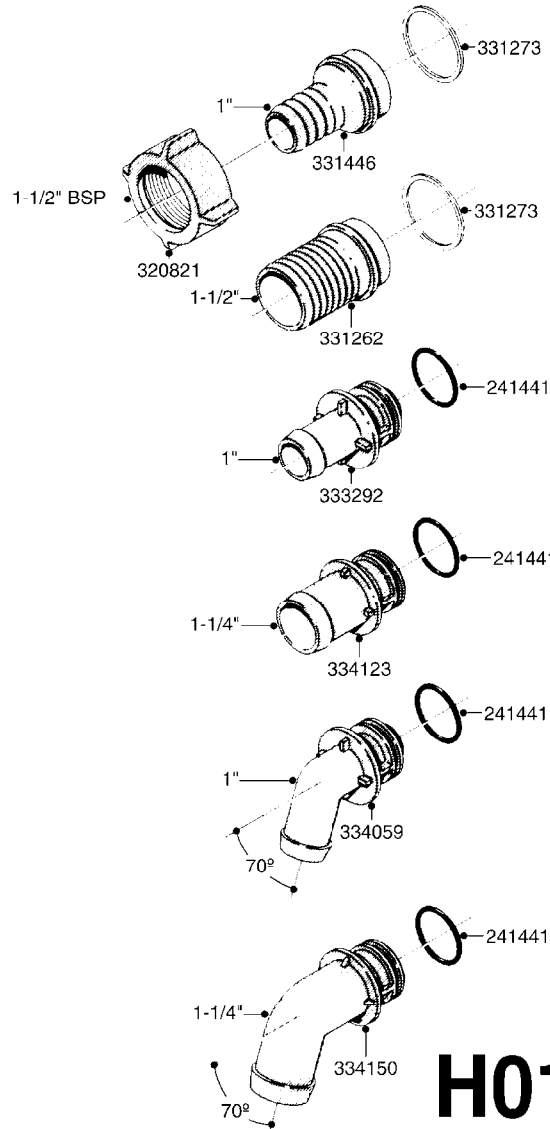
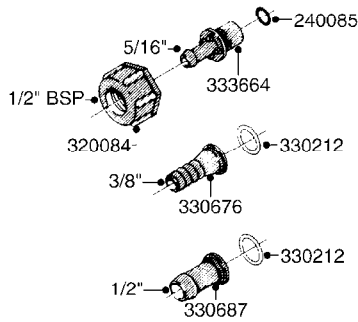
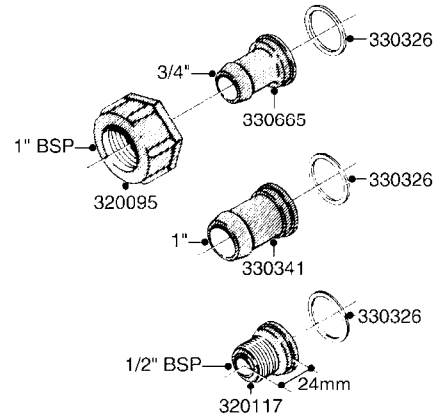
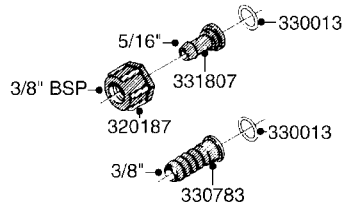


ELECTRIC END NOZZLE KIT  
G711-HIN, 09:05:13

Page 1

Date 06.04.2015 10:38

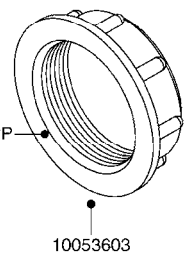
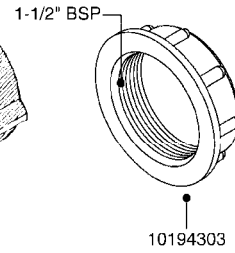
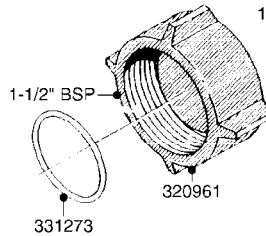
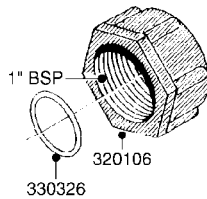
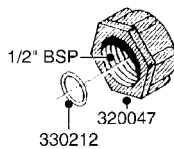
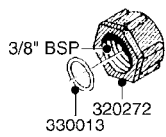
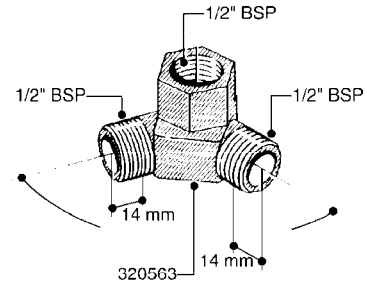
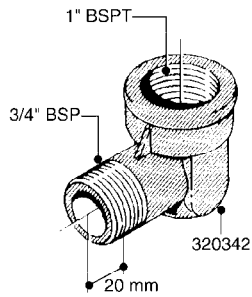
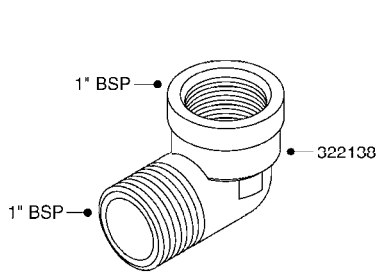
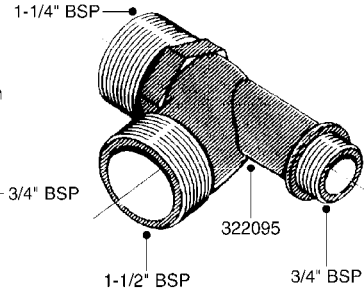
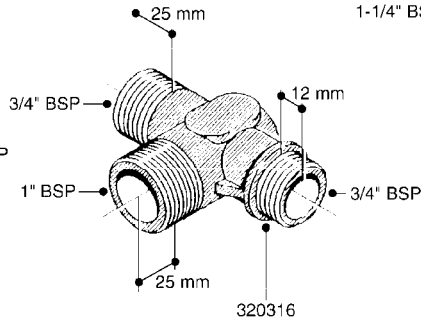
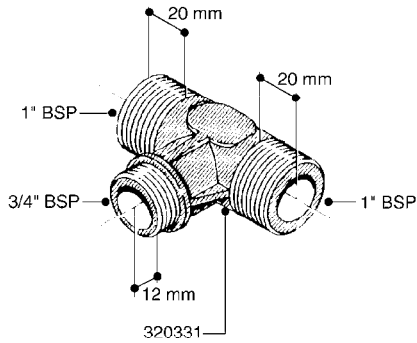
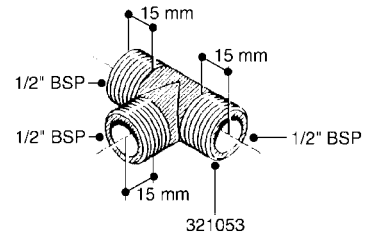
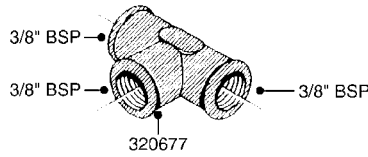
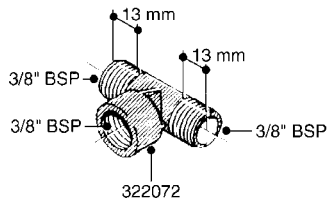
| Pos. | parts-n° | order qty | description                    |
|------|----------|-----------|--------------------------------|
| 1    | 145994   | 1         | FITT.DK S-40 FORK              |
| 2    | 145995   | 1         | FITT.DK S-53 FORK              |
| 3    | 240177   | 1         | O-RING D16.1/11.3 X 2.4        |
| 4    | 242354   | 1         | O-RING D32.2X3.0 VITON F.S-53  |
| 5    | 242355   | 1         | O-RING D19.2X3.0 VITON F.S-40  |
| 6    | 242594   | 1         | O-RING D14 X 1.78 SCH.70-EPDM  |
| 7    | 261539   | 1         | SPADE F.ELEC CONNEX BLUE INSUL |
| 8    | 262104   | 1         | VALVE, SOLENOID, S53/S40       |
| 9    | 320084   | 1         | FITT.DK NUT 1/2" BSP           |
| 10   | 320187   | 1         | FITT.DK CAP 3/8" BSP BLACK     |
| 11   | 320283   | 1         | FITT.DK NUT 3/4"BSP            |
| 12   | 320596   | 1         | FITT.DK ELB 3/8'-1/2'BSP 45DEG |
| 13   | 321307   | 1         | FITT.DK NUT 1/2" BSP JAMB      |
| 14   | 321742   | 1         | FITT.DK BULKHEAD 1/2' BSP      |
| 15   | 322103   | 1         | FITT.DK S-53 BULKHEAD          |
| 16   | 322352   | 1         | FITT.DK S-53 TEE               |
| 17   | 330212   | 1         | O-RING D19/D14X2.4 F.1/2"NUT   |
| 18   | 330687   | 1         | FITT.DK HB 1/2" F. 1/2" NUT    |
| 19   | 334965   | 1         | COVER FOR S53 SOLENOID VALVE   |
| 20   | 370366   | 1         | NOZZLE END FAN 1850-G 150      |
| 21   | 410185   | 1         | BOLT HEX 8.8 DEL M6X16 A2      |
| 22   | 460261   | 1         | NUT HEX M6X1 LOCK A2 DIN985    |
| 23   | 471125   | 1         | WASHER M6U D12/D6.4x1.6 SS A2  |
| 24   | 614366   | 1         | FILTER 50 MESH F.NOZZLE BLUE   |
| 24   | 614367   | 1         | FILTER 80 MESH F.NOZZLE RED    |
| 24   | 614368   | 1         | FILTER 100 MESH F.NOZZLE YEL.  |
| 25   | 720856   | 1         | FITT.DK 1/2'BSP ASSY.F.3/4'NUT |
| 26   | 726558   | 1         | FITT.DK S53 STR. 3/4" W.ORING  |
| 27   | 726567   | 1         | FITT.DK S-40 ELB.1/2" W.ORING  |
| 28   | 726694   | 1         | PLUG,S53,1/2"FBSP THD W.ORING  |
| 29   | 729610   | 1         | NOZZLE ASSY. NON DRIP 3/8 THRD |
| 30   | 750722   | 1         | REPAIR KIT FOR 3S SC CONTROL   |
| 31   | 983087   | 1         | ELEC. CABLE 2 WIRE X 0.75MM    |
| 32   | 16180100 | 1         | PLATE, END ROW NOZZLE          |
| 33   | 28025203 | 1         | TIE STRAP L=23" x W=1/2"       |
| 34   | 28029803 | 1         | CLAMP HOSE GEAR P1/2" 6708     |
| 35   | 28029903 | 1         | CLAMP HOSE GEAR P3/4"-S1" 6712 |
| 36   | 92702103 | 1         | HOSE R X1/2" X300PSI WP X0012" |



**H010**



| parts-n° | order qty | description                     |
|----------|-----------|---------------------------------|
| 240085   | 1         | O-RING D13,1/8,3X02,4 NITRIL    |
| 241441   | 1         | O-RING D29.3X3                  |
| 242594   | 1         | O-RING D14 X 1.78 SCH.70-EPDM   |
| 320084   | 1         | FITT.DK NUT 1/2" BSP            |
| 320095   | 1         | FITT.DK NUT 1" BSP              |
| 320117   | 1         | FITT.DK CONN.1/2"BSP F. 1" CAP  |
| 320187   | 1         | FITT.DK CAP 3/8" BSP BLACK      |
| 320283   | 1         | FITT.DK NUT 3/4"BSP             |
| 320821   | 1         | FITT.DK NUT 1-1/2" BSP          |
| 321495   | 1         | FITT.DK REDUC 1/4'BSP F.3/4'NT  |
| 321576   | 1         | FITT.DK CONN 1/2"BSP F.3/4"NUT  |
| 330013   | 1         | O-RING D15/D10X2.5 F.3/8"NUT    |
| 330212   | 1         | O-RING D19/D14X2.4 F.1/2"NUT    |
| 330326   | 1         | O-RING D30/D24X2 F.1"NUT        |
| 330341   | 1         | FITT.DK HB 1" F. 1" NUT         |
| 330595   | 1         | O-RING D24.6/D20X2.1 -3/4"      |
| 330665   | 1         | FITT.DK HB 3/4"F.1" NUT         |
| 330676   | 1         | FITT.DK HB 3/8" F. 1/2" NUT     |
| 330687   | 1         | FITT.DK HB 1/2" F. 1/2" NUT     |
| 330691   | 1         | FITT.DK HB 3/4'F.3/4' NUT       |
| 330783   | 1         | FITT.DK HB 3/8"F.3/8" NUT       |
| 331262   | 1         | FITT.DK HB 1-1/2" F. 1-1/2"NUT  |
| 331273   | 1         | O-RING D44/D38X2 F.1-1/2"       |
| 331446   | 1         | FITT.DK HB 1" F.1-1/2" NUT      |
| 331807   | 1         | FITT.DK HB 5/16" F.3/8" NUT     |
| 332286   | 1         | FITT.DK HB 1/2" F. 3/4" NUT     |
| 332905   | 1         | FITT.DK HB 1/2" F. 3/4" CAP     |
| 332927   | 1         | PLUG F. NOZZLE TUBE 3/4'        |
| 333292   | 1         | FITT.DK HB 1"O'RING F.1-1/2"    |
| 333664   | 1         | FITT.DK HB 5/16' F. 1/2' NUT    |
| 334044   | 1         | FITT.DK HB 3/4' F. 3/4' CAP     |
| 334059   | 1         | FITT.DK EL 1" 110 DEG.F.1-1/2"  |
| 334123   | 1         | FITT.DK HB 1-1/4"O-RNG F.1-1/2" |
| 334150   | 1         | FITT.DK HB 1-1/4" 110 F.1-1/2"  |
| 390542   | 1         | PLUG WASHER FOR 3/4'CAP NUT     |
| 716236   | 1         | FITT.DK HB 1/2" ASSY. F. 3/4"   |
| 716413   | 1         | FITT.DK PLUG ASSY. F.NOZ TUBE   |
| 717426   | 1         | FITT.DK REDUC 1/4"BSP F.3/4"N   |
| 720856   | 1         | FITT.DK 1/2'BSP ASSY.F.3/4'NUT  |
| 724621   | 1         | FITT.DK HB 3/4"ASSY F.3/4" NUT  |



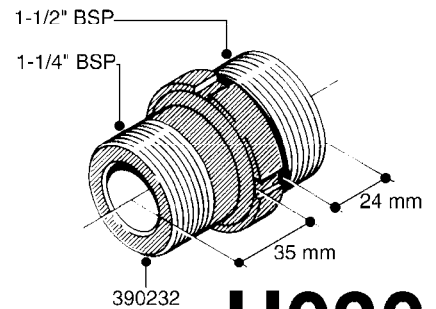
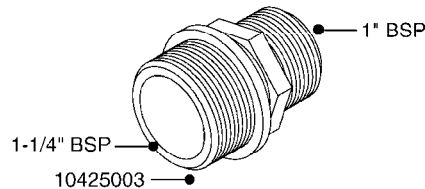
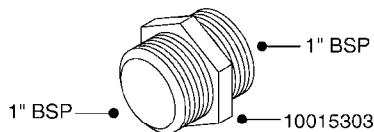
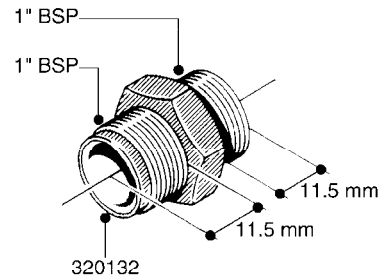
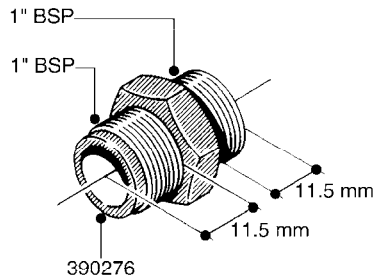
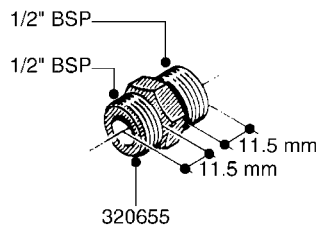
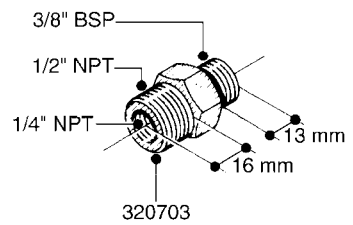
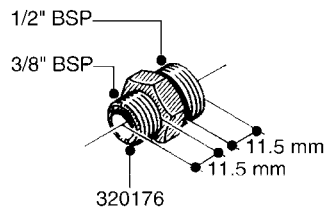
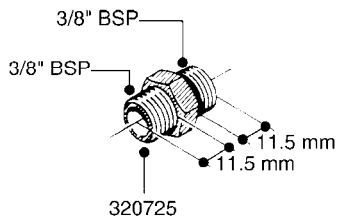
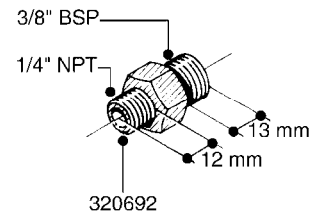
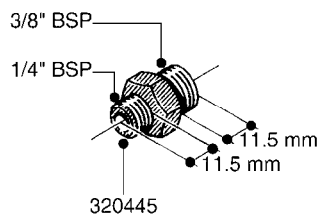
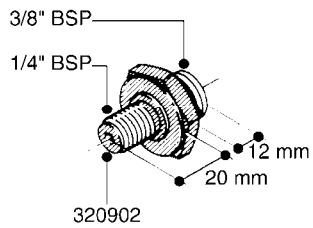
**H020**



FITTINGS-T-PIECES, CAPS & ELBOWS  
H020-HIN, 01:01:01

Page 1  
Date 06.04.2015 10:38

| parts-n° | order qty | description                        |
|----------|-----------|------------------------------------|
| 10053603 | 1         | FITT. CAPNUT 2"BSP 5601            |
| 10194303 | 1         | CAP BLANK 1 1/2 MCPHEE 210060      |
| 320047   | 1         | FITT.DK CAPNUT 1/2" BSP            |
| 320106   | 1         | FITT.DK CAPNUT 1" BSP              |
| 320272   | 1         | FITT.DK CAPNUT 3/8" BSP            |
| 320316   | 1         | FITT.DK TEE 3/4" X3/4" X1"BSP      |
| 320331   | 1         | FITT.DK TEE 1" - 1" - 3/4" BSP     |
| 320342   | 1         | FITT.DK EL 3/4"M X 1"F BSP         |
| 320563   | 1         | FITT.DK 3 WAY 1/2" 110 DEG.        |
| 320677   | 1         | NO LONGER AVAILABLE                |
| 320961   | 1         | FITT.DK CAPNUT 1-1/2" BSP          |
| 321053   | 1         | FITT.DK TEE 1/2 X1/2 X1/2" BSP     |
| 322072   | 1         | FITT.DK TEE 3/8'X3/8'X3/8' BSP     |
| 322095   | 1         | FITT.DK TEE 1-1/2 X1-1/4 X3/4" BSP |
| 322138   | 1         | FITT.DK ELB 1"M X 1"F BSP          |
| 330013   | 1         | O-RING D15/D10X2.5 F.3/8"NUT       |
| 330212   | 1         | O-RING D19/D14X2.4 F.1/2"NUT       |
| 330326   | 1         | O-RING D30/D24X2 F.1"NUT           |
| 331273   | 1         | O-RING D44/D38X2 F.1-1/2"          |



**H030**

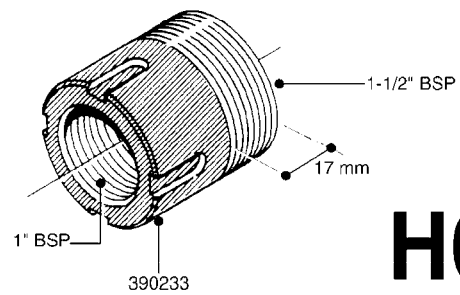
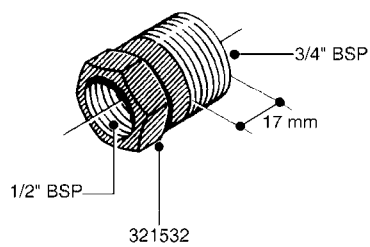
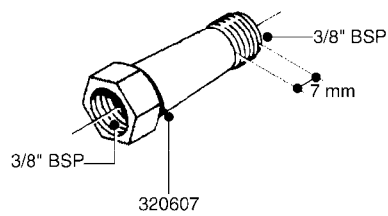
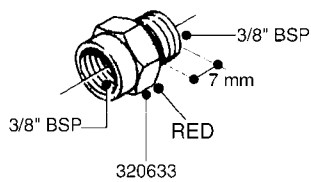
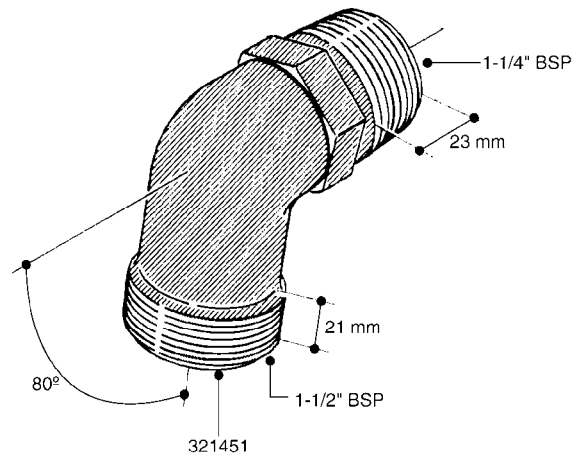
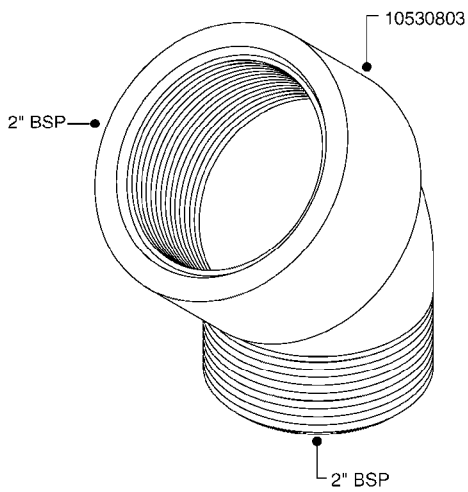
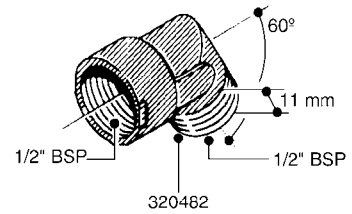
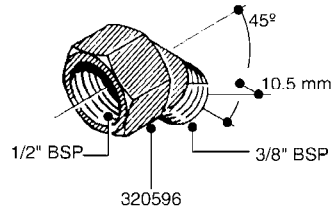
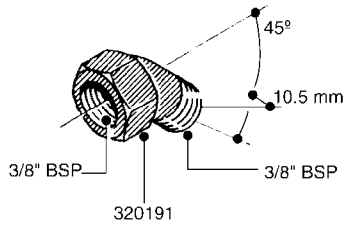


FITTINGS - HEXAGON NIPPLES  
H030-HIN, 01:01:01

Page 1

Date 06.04.2015 10:38

| parts-n° | order qty | description                    |
|----------|-----------|--------------------------------|
| 10015303 | 1         | FITT.PO.HN 1.00X1.00 M1000     |
| 10425003 | 1         | FITT.PO.HN 1.25X1.00 MCPHEE    |
| 320132   | 1         | FITT.DK HN 1" BSP              |
| 320176   | 1         | FITT.DK HN 3/8"X1/2" BSP       |
| 320445   | 1         | FITT.DK HN 1/4"X3/8" BSP       |
| 320655   | 1         | FITT.DK HN 1/2"-1/2" BSP       |
| 320692   | 1         | FITT.DK HN 3/8'BSPX1/4'NPT     |
| 320703   | 1         | FITT.DK HN 3/8BSP X1/2 &1/4NPT |
| 320725   | 1         | FITT.DK NIPPLE 3/8"-3/8" BSP   |
| 320902   | 1         | FITT.DK HN 3/8'X 1/4' BSP      |
| 390232   | 1         | FITT.DK HN 1-1/2' X 1-1/4' BSP |
| 390276   | 1         | FITT.DK HN 1'BSP               |



**H040**



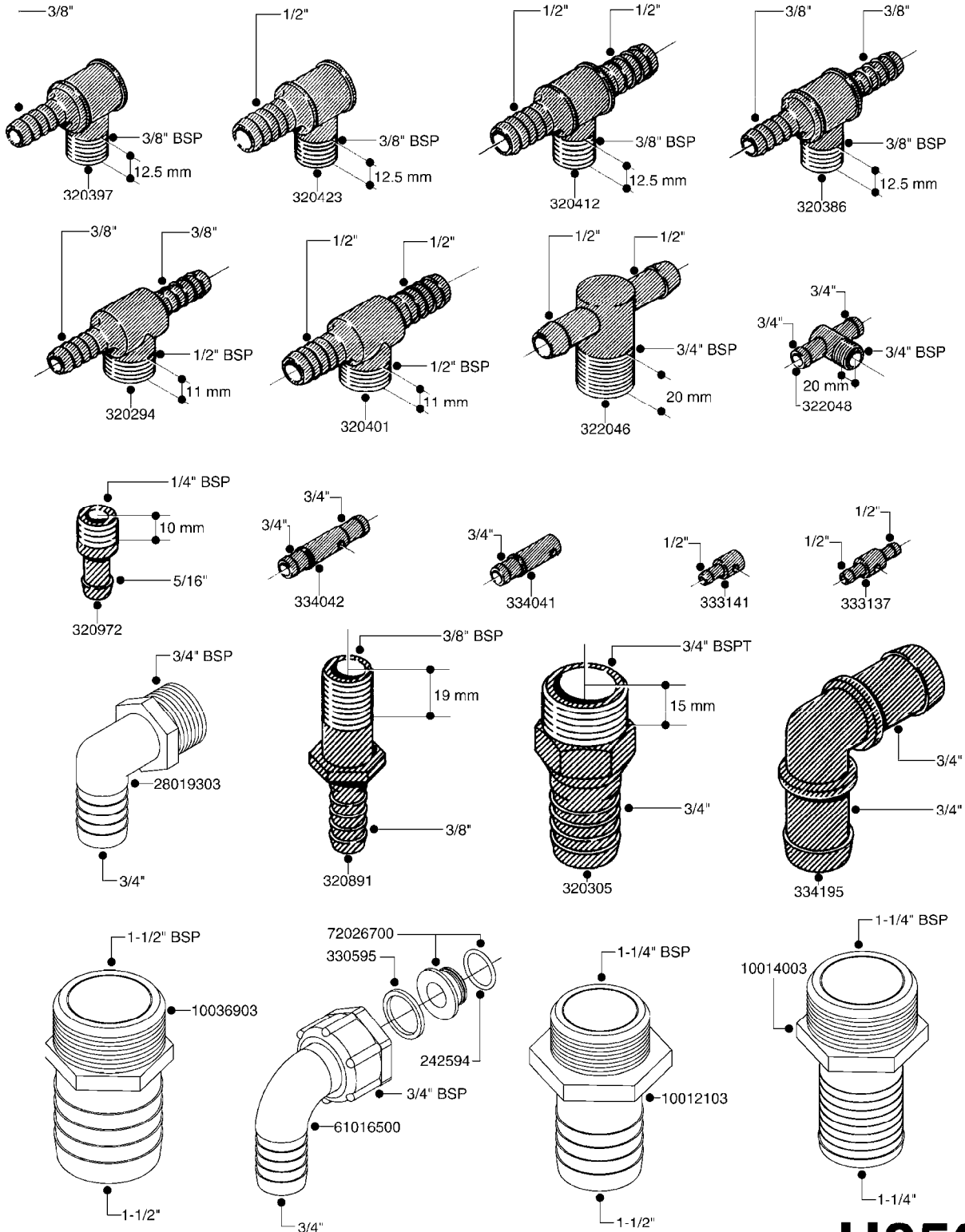


FITTINGS - NIPPLES & ELBOWS  
H040-HIN, 01:01:01

Page 1

Date 06.04.2015 10:38

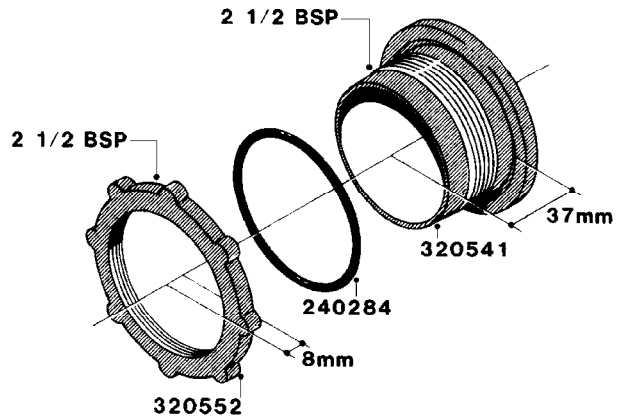
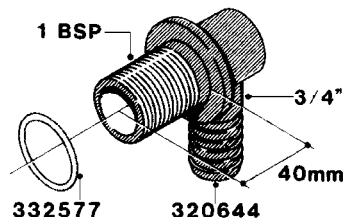
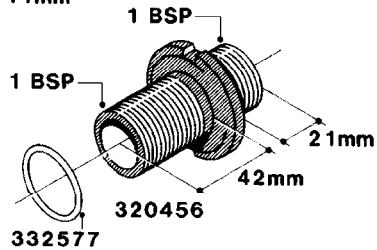
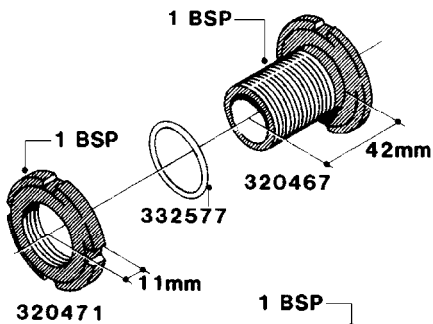
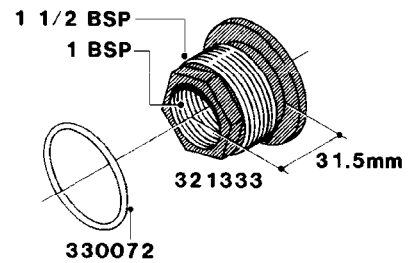
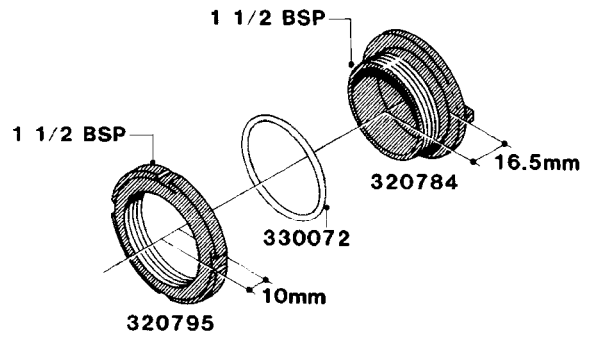
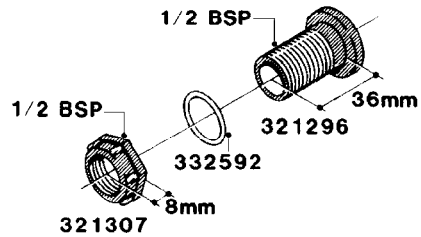
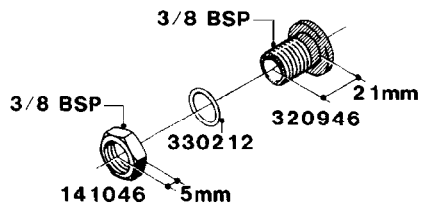
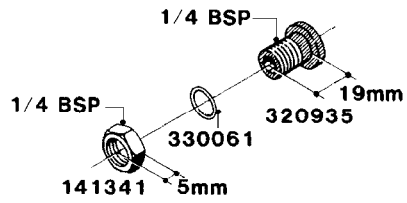
| parts-n° | order qty | description                    |
|----------|-----------|--------------------------------|
| 10530803 | 1         | FITT.PO.SE 2.00X2.00 45 DEG.   |
| 320191   | 1         | FITT.DK ELB 3/8' BSP 45 DEGREE |
| 320482   | 1         | FITT.DK ELB. 1/2" BSP 60 DEG.  |
| 320596   | 1         | FITT.DK ELB 3/8'-1/2'BSP 45DEG |
| 320607   | 1         | FITT.DK HN 3/8M X 3/8F BSP LNG |
| 320633   | 1         | FITT.DK HN 3/8"M X 3/8"F BSP   |
| 321451   | 1         | FITT.DK ELB.1-1/2 X1-1/4 80DEG |
| 321532   | 1         | FITT.DK REDUC 3/4' X 1/2' BSP  |
| 390233   | 1         | FITT.DK REDUC 1-1/2" X 1" BSP  |



**H050**



| parts-n° | order qty | description                    |
|----------|-----------|--------------------------------|
| 242594   | 1         | O-RING D14 X 1.78 SCH.70-EPDM  |
| 320294   | 1         | FITT.DK TEE 3/8X3/8HB X1/2"BSP |
| 320305   | 1         | FITT.DK HB 3/4'- 3/4' BSP      |
| 320386   | 1         | FITT.DK TEE 3/8X3/8HB X3/8"BSP |
| 320397   | 1         | FITT.DK ELB 3/8"HB X 3/8" BSP  |
| 320401   | 1         | FITT.DK TEE 1/2X1/2HB X1/2"BSP |
| 320412   | 1         | FITT.DK TEE 1/2X1/2HB X3/8'BSP |
| 320423   | 1         | FITT.DK ELB 1/2'HB X 3/8' BSP  |
| 320891   | 1         | FITT.DK HB 3/8'- 3/8' BSP      |
| 320972   | 1         | FITT.DK HB 5/16'- 1/4' BSP     |
| 322046   | 1         | FITT.DK TEE 1/2X1/2HB X3/4'BSP |
| 322048   | 1         | FITT.DK TEE 3/4X3/4HB X3/4'BSP |
| 330595   | 1         | O-RING D24.6/D20X2.1 -3/4"     |
| 333137   | 1         | FITT.DK CONN.1/2" F.NOZZ. DOUB |
| 333141   | 1         | FITT.DK CONN.1/2" F.NOZZ.SING  |
| 334041   | 1         | FITT.DK CONN.3/4' F.NOZZ. SING |
| 334042   | 1         | FITT.DK CONN.3/4' F.NOZZ. DOUB |
| 334195   | 1         | FITT.DK ELB. 3/4"HB X 3/4"HB   |
| 10012103 | 1         | FITT.PO.HB 1.25X1.50 IMB1012   |
| 10014003 | 1         | FITT.PO.HB 1.25X1.25 IMB1010   |
| 10036903 | 1         | FITT.PO.HB 1.50X1.50 IMB1212   |
| 28019303 | 1         | FITTING HB ELB 3/4NPT-3/4HOSE  |
| 61016500 | 1         | HOSE TAIL 3/4" 90°+RG CAP 3/4" |
| 72026700 | 1         | NOZZLE TUBE ADAPTER W/O-RING   |



**H060**

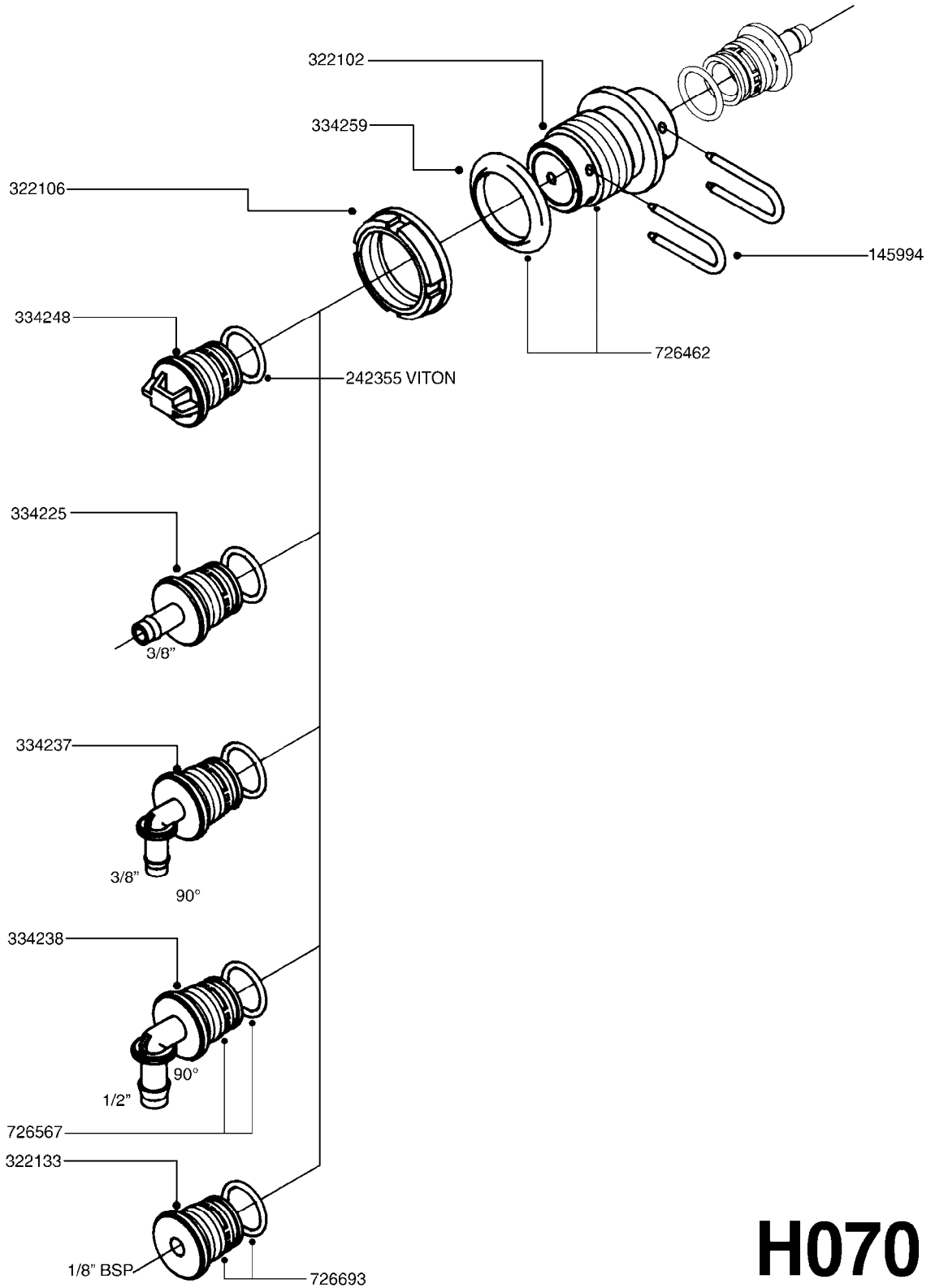


FITTINGS - BULKHEAD  
H060-HIN, 01:01:01

Page 1

Date 06.04.2015 10:39

| parts-n° | order qty | description                    |
|----------|-----------|--------------------------------|
| 141046   | 1         | NUT 3/8" BSP                   |
| 141341   | 1         | NUT 1/4' BSP                   |
| 240284   | 1         | O-RING D82,5/75 X 3,5          |
| 320456   | 1         | FITT.DK BULKHEAD 1"BSP DOUBLE  |
| 320467   | 1         | FITT.DK BULKHEAD 1"BSP SINGLE  |
| 320471   | 1         | FITT.DK NUT 1" BSP JAMB        |
| 320541   | 1         | FITT.DK BULKHEAD 2-1/2'BSP SIN |
| 320552   | 1         | FITT.DK NUT 2-1/2' BSP JAMB    |
| 320644   | 1         | FITT.DK ELB.3/4"HB X 1" BSP    |
| 320784   | 1         | FITT.DK CAP 1-1/2" BSP         |
| 320795   | 1         | FITT.DK NUT 1-1/2" BSP JAMB    |
| 320935   | 1         | FITT.DK BULKHEAD 1/4' BSP SING |
| 320946   | 1         | FITT.DK BULKHEAD 3/8' BSP SING |
| 321296   | 1         | FITT.DK BULKHEAD 1/2" BSP SING |
| 321307   | 1         | FITT.DK NUT 1/2" BSP JAMB      |
| 321333   | 1         | FITT.DK BULK 1-1/2" X 1"F BSP  |
| 330061   | 1         | O-RING D16/D11X2,5             |
| 330072   | 1         | O-RING D53.5/D45.5X4           |
| 330212   | 1         | O-RING D19/D14X2.4 F.1/2"NUT   |
| 332577   | 1         | O-RING D38/D30X4 F.1" PUR.     |
| 332592   | 1         | O-RING D26/D20X3               |



# H070

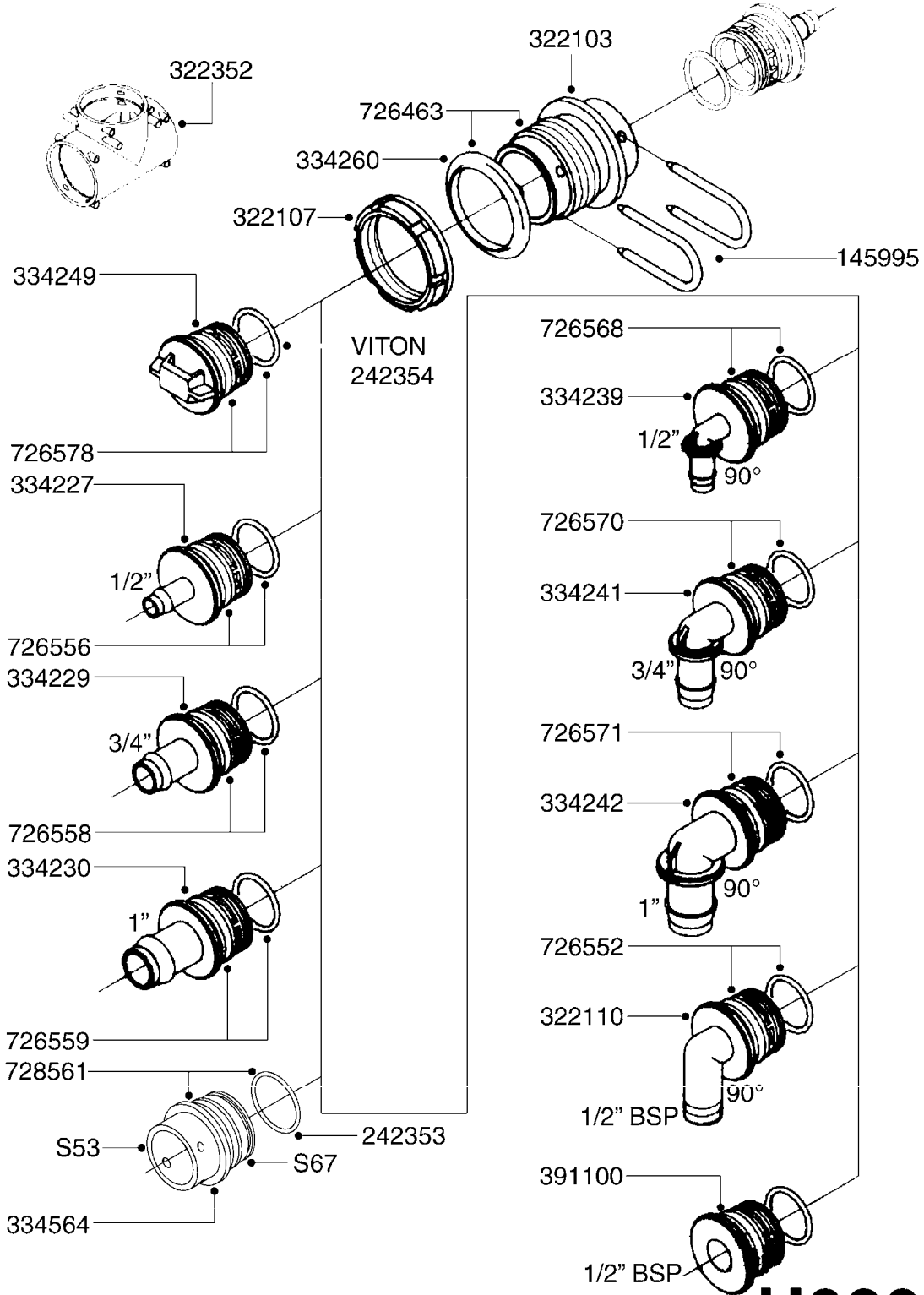


FITTINGS - S-40  
H070-HIN, 01:02:12

Page 1

Date 06.04.2015 10:39

| parts-n° | order qty | description                    |
|----------|-----------|--------------------------------|
| 145994   | 1         | FITT.DK S-40 FORK              |
| 242355   | 1         | O-RING D19.2X3.0 VITON F.S-40  |
| 322102   | 1         | FITT.DK S-40 BULKHEAD          |
| 322106   | 1         | FITT.DK S-40 BULKHEAD NUT      |
| 322133   | 1         | FITT.DK S-40 PLUG W 1/8 THREAD |
| 334225   | 1         | FITT.DK S-40 STR.3/8'          |
| 334237   | 1         | FITT.DK S-40 ELB.3/8'          |
| 334238   | 1         | FITT.DK S-40 ELB.1/2'          |
| 334248   | 1         | FITT.DK S-40 PLUG              |
| 334259   | 1         | GASKET F. S-40 BULKHEAD        |
| 726462   | 1         | FITT. S40 BULHEAD W. GASKET    |
| 726567   | 1         | FITT.DK S-40 ELB.1/2" W.ORING  |
| 726693   | 1         | FITT.DK S-40 PLUG 1/8BSP ORING |



**H080**



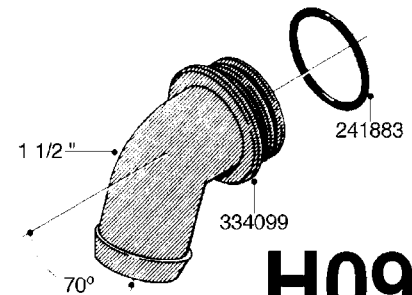
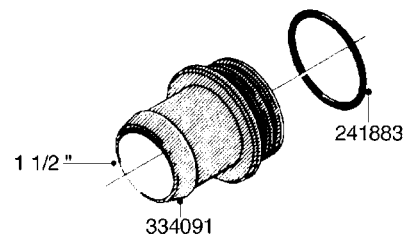
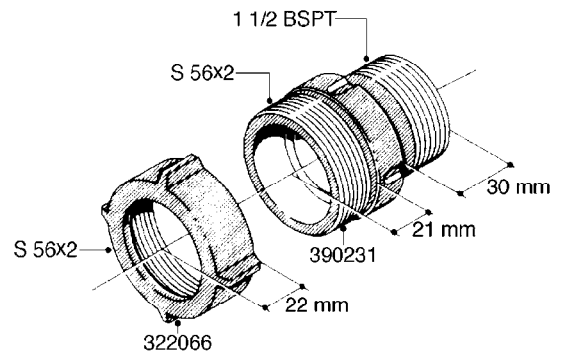
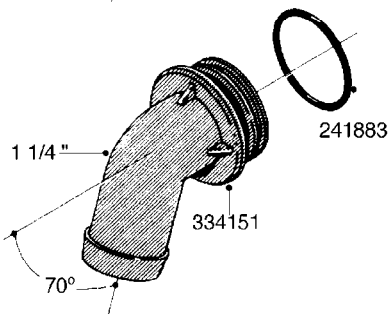
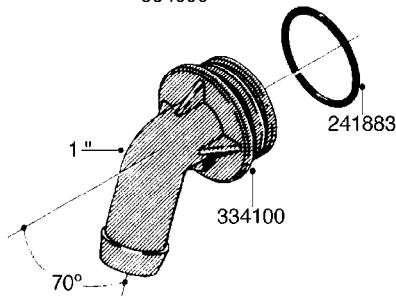
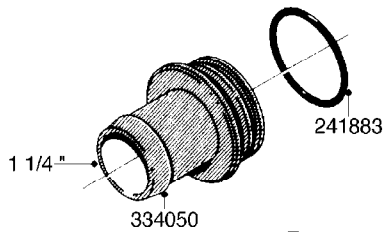
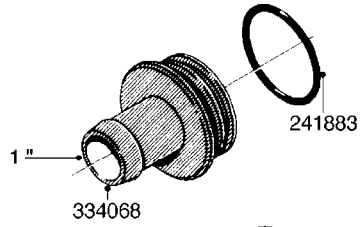
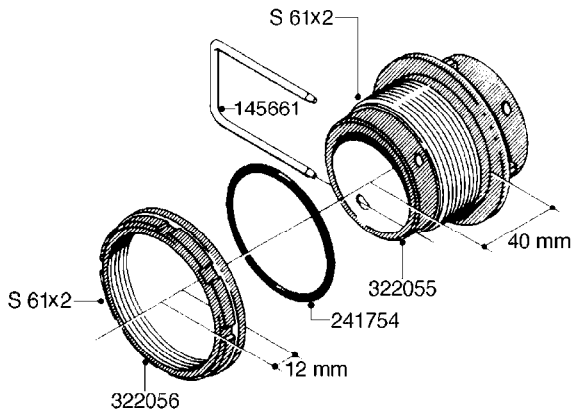


FITTINGS - S-53  
H080-HIN, 01:02:12

Page 1

Date 06.04.2015 10:39

| parts-n° | order qty | description                    |
|----------|-----------|--------------------------------|
| 145995   | 1         | FITT.DK S-53 FORK              |
| 242353   | 1         | O-RING D44.2X3.0 VITON F.S-67  |
| 242354   | 1         | O-RING D32.2X3.0 VITON F.S-53  |
| 322103   | 1         | FITT.DK S-53 BULKHEAD          |
| 322107   | 1         | FITT.DK S-53 BULKHEAD NUT      |
| 322110   | 1         | FITT.DK S-53 ELB. 1/2" BSP     |
| 322352   | 1         | FITT.DK S-53 TEE               |
| 334227   | 1         | FITT.DK S-53 STR.1/2'          |
| 334229   | 1         | FITT.DK S-53 STR.3/4"          |
| 334230   | 1         | FITT.DK S-53 STR.1"            |
| 334239   | 1         | FITT.DK S-53 ELB.1/2"          |
| 334241   | 1         | FITT.DK S-53 ELB.3/4"          |
| 334242   | 1         | FITT.DK S-53 ELB.1"            |
| 334249   | 1         | FITT.DK S-53 PLUG              |
| 334260   | 1         | GASKET F. S-53 BULKHEAD        |
| 334564   | 1         | FITT.DK S-67 TO S-53 ADAPTER   |
| 391100   | 1         | FITT.DK S-53THREAD INS.1/2"BSP |
| 726463   | 1         | FITT.DK S53 BULKHEAD W/GASKET  |
| 726552   | 1         | FIT.DK S-53X90 1/2" BSP,O-RING |
| 726556   | 1         | FITT.DK S-53 HB 1/2" W/O-RING  |
| 726558   | 1         | FITT.DK S53 STR. 3/4" W.ORING  |
| 726559   | 1         | FITT DK. S-53 HB 1" W/O-RING   |
| 726568   | 1         | FITT.DK.S-53 HB 1/2"90 W/ORING |
| 726570   | 1         | FITT.DK S-53 ELB.3/4" W.ORING  |
| 726571   | 1         | FITT.DK S-53 ELB.1", W ORING   |
| 726578   | 1         | FITT.DK S53 PLUG WITH O-RING   |
| 728561   | 1         | FITT.DK. S67M - S53F REDUCER   |



**H090**

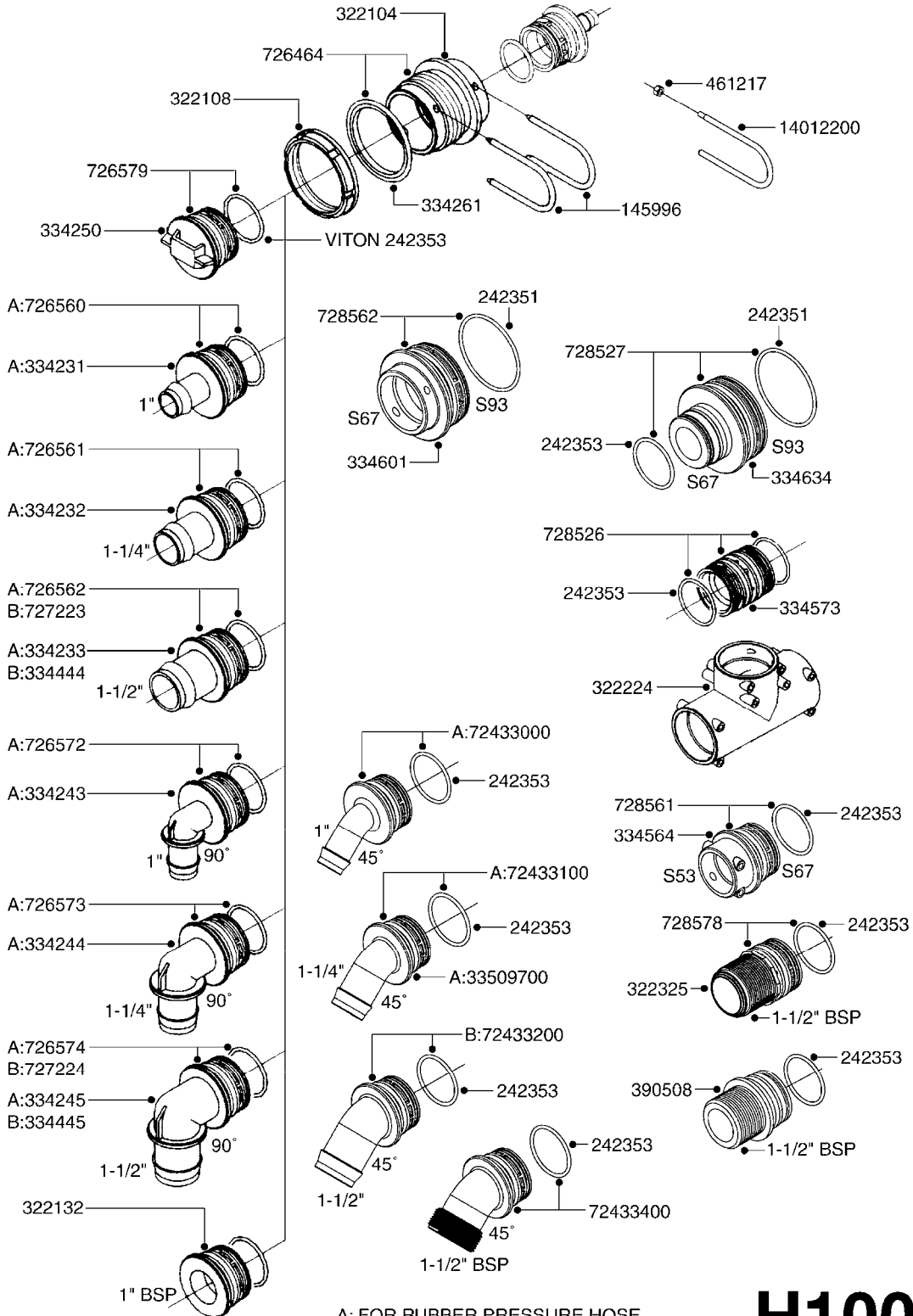


FITTINGS - S-56 & S-61  
H090-HIN, 01:01:01

Page 1

Date 06.04.2015 10:39

| parts-n° | order qty | description                    |
|----------|-----------|--------------------------------|
| 145661   | 1         | FITT.DK S-61 FORK              |
| 241754   | 1         | O-RING D59.5X3                 |
| 241883   | 1         | O-RING D39.2X3 NITRIL 242020   |
| 322055   | 1         | FITT.DK S-61 BULKHEAD          |
| 322056   | 1         | FITT.DK S-61 BULKHEAD NUT      |
| 322066   | 1         | FITT.DK S-56 NUT               |
| 334050   | 1         | FITT.DK S-61 STR.1-1/4"        |
| 334068   | 1         | FITT.DK S-61 STR.1"            |
| 334091   | 1         | FITT.DK S-61 STR.1-1/2'        |
| 334099   | 1         | FITT.DK S-61 ELB.1-1/2"110 DEG |
| 334100   | 1         | FITT.DK S-61 ELB.1" 110 DEG.   |
| 334151   | 1         | FITT.DK S-61 ELB.1-1/4"110 DEG |
| 390231   | 1         | FITT.DK NIPPLE 1-1/2 X S56     |



A: FOR RUBBER PRESSURE HOSE  
B: FOR PVC SPIRAL HOSE

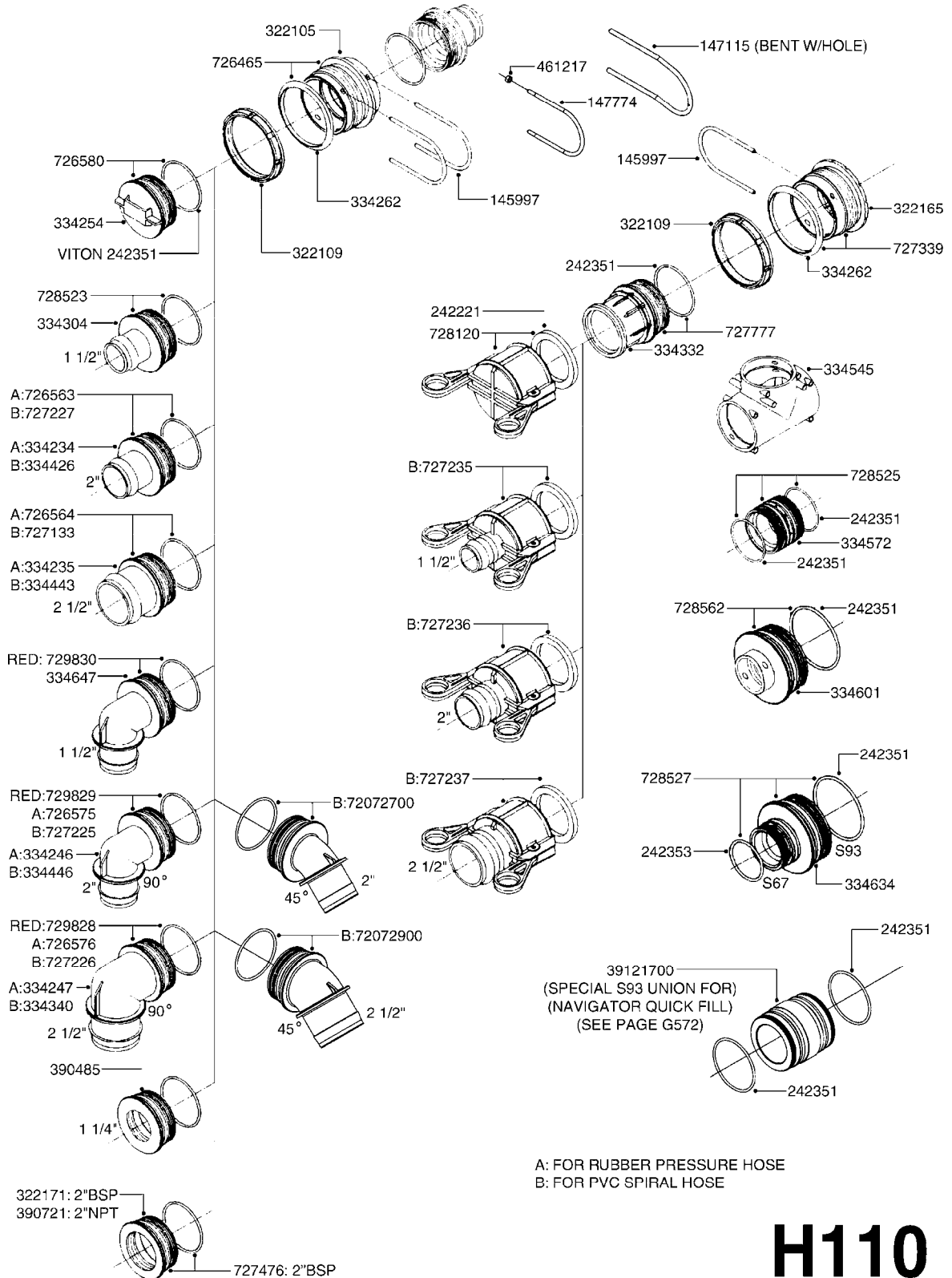
**H100**



FITTINGS - S-67  
H100-HIN, 08:11:12

Page 1  
Date 06.04.2015 10:39

| parts-n° | order qty | description                    |
|----------|-----------|--------------------------------|
| 145996   | 1         | FITT.DK S-67 FORK              |
| 242351   | 1         | O-RING D69.5X3.0 VITON F.S-93  |
| 242353   | 1         | O-RING D44.2X3.0 VITON F.S-67  |
| 322104   | 1         | FITT.DK S-67 BULKHEAD          |
| 322108   | 1         | FITT.DK S-67 BULKHEAD NUT      |
| 322132   | 1         | FITT.DK S-67 THREAD INS.1'BSP  |
| 322224   | 1         | FITT.DK S-67 TEE               |
| 322325   | 1         | FITT.DK S-67 X 1-1/2"BSP LONG  |
| 334231   | 1         | FITT.DK S-67 STR.1'            |
| 334232   | 1         | FITT.DK S-67 STR.1-1/4'        |
| 334233   | 1         | FITT.DK S-67 STR.1-1/2' RUBBER |
| 334243   | 1         | FITT.DK S-67 ELB.1"            |
| 334244   | 1         | FITT.DK S-67 ELB.1-1/4"        |
| 334245   | 1         | FITT.DK S-67 ELB. 1-1/2'RUBBER |
| 334250   | 1         | FITT.DK S-67 PLUG              |
| 334261   | 1         | GASKET F. S-67 BULKHEAD        |
| 334444   | 1         | FITT.DK S-67 STR.1-1/2" PVC    |
| 334445   | 1         | FITT.DK S-67 ELB.1-1/2"        |
| 334564   | 1         | FITT.DK S-67 TO S-53 ADAPTER   |
| 334573   | 1         | FITT.DK S-67 CONNECTOR         |
| 334601   | 1         | FITT.DK S-93 TO S67 ADAPTOR    |
| 334634   | 1         | FITT.DK ADAPTER S-93M S67M     |
| 390508   | 1         | FITT DK S67X1.5M BSPalt322325  |
| 461217   | 1         | NUT HEX M5 LOCK                |
| 726464   | 1         | FITT.DK S-67 BULKHEAD W/GASKET |
| 726560   | 1         | FITT.DK S-67 STR.1" W.O'RING   |
| 726561   | 1         | FITT.DK S-67 STR.1-1/4" O'RING |
| 726562   | 1         | FITT.DK.S-67 HB 1-1/2"W.O-RING |
| 726572   | 1         | FITT.DK S-67 1" ELBOW 90 ASSY. |
| 726573   | 1         | FITT. S67 5/4" 90° W/O-RING    |
| 726574   | 1         | FITT.DK S67X90,1.5HB PRESSURE  |
| 726579   | 1         | FITT. S67 PLUG W/O-RING        |
| 727223   | 1         | FITT.S67 1.5" STRAIT S W/ORING |
| 727224   | 1         | FITT.DK S67X90,1.5HB SUCTION   |
| 728526   | 1         | FITT.DK S-67 CONNECT W. ORINGS |
| 728527   | 1         | ADAPTER S67M TO S93M W/ORING   |
| 728561   | 1         | FITT.DK. S67M - S53F REDUCER   |
| 728562   | 1         | FITT.DK S-93 TO S67 ADAPTOR    |
| 728578   | 1         | FITT.DK S-67X1-1/2"BSP LG W/OR |
| 14012200 | 1         | FITT.DK S-67 FORK W/M5 THREADS |
| 33509700 | 1         | FITT.DK S-67 45° 1-1/4"        |
| 72433000 | 1         | FITT.S67 1" 45° W/ORING        |
| 72433100 | 1         | FITT.DK S-67 45° 1-1/4"W/ORING |
| 72433200 | 1         | FITT.S67 1-1/2" 45°PVC W/ORING |
| 72433400 | 1         | FITT.S67 1-1/2" 45°BSP W/ORING |

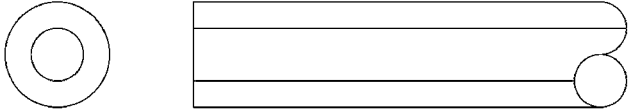
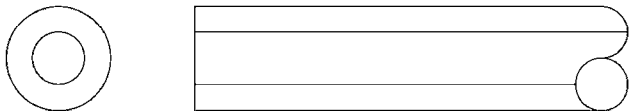
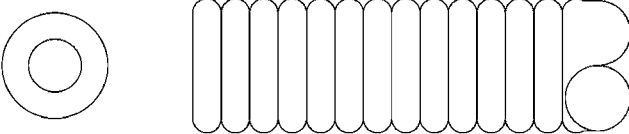
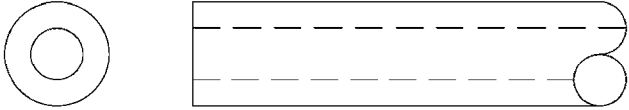
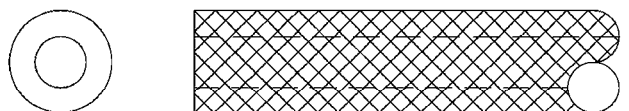



# H110



| parts-n° | order qty | description                    |
|----------|-----------|--------------------------------|
| 145997   | 1         | FITT.DK S-93 FORK              |
| 147115   | 1         | FITT.DK S-93 FORK SPECIAL      |
| 147774   | 1         | FITT.DK S-93 FORK W. M5 THREAD |
| 242221   | 1         | GASKET F. S-93 QUICK COUPLERS  |
| 242351   | 1         | O-RING D69.5X3.0 VITON F.S-93  |
| 242353   | 1         | O-RING D44.2X3.0 VITON F.S-67  |
| 322105   | 1         | FITT.DK S-93 BULKHEAD DOUBLE   |
| 322109   | 1         | FITT.DK S-93 BULKHEAD NUT      |
| 322165   | 1         | FITT.DK S-93 BULKHEAD SINGLE   |
| 322171   | 1         | FITT.DK S-93 THREAD INS.2"BSP  |
| 334234   | 1         | FITT.DK S-93 STR.2" RUBBER     |
| 334235   | 1         | FITT.DK S-93 STR.2-1/2'RUBBER  |
| 334246   | 1         | FITT.DK S-93 ELB.2" PVC        |
| 334247   | 1         | FITT.DK S-93 ELB.2-1/2'RUBBER  |
| 334254   | 1         | FITT.DK S-93 PLUG              |
| 334262   | 1         | GASKET F.S-93 BULKHEAD         |
| 334304   | 1         | FITT.DK S-93 STR.1-1/2" PVC    |
| 334332   | 1         | FITT.DK S-93 MALE QUICK COUP.  |
| 334340   | 1         | FITT.DK S-93 ELBOW 2.5"        |
| 334426   | 1         | FITT.DK S-93 STR.2'            |
| 334443   | 1         | HOSE PIPE BR.21/2'-EVEN S      |
| 334446   | 1         | FITT.DK S-93 ELB.2" PVC        |
| 334545   | 1         | FITT.DK S-93 TEE               |
| 334572   | 1         | FITT.DK S-93 ADAPTOR MALE MALE |
| 334601   | 1         | FITT.DK S-93 TO S67 ADAPTOR    |
| 334634   | 1         | FITT.DK ADAPTER S-93M S67M     |
| 334647   | 1         | FITT.DK S93 ELB 1-1/2" 90 PVC  |
| 390485   | 1         | FITT.DK S-93 PLUG W D34 HOLE   |
| 390721   | 1         | FITT.DK S-93 PLUG W/2'NPT THRE |
| 461217   | 1         | NUT HEX M5 LOCK                |
| 726465   | 1         | FITT.DK S-93 BULKHEAD W/GASKET |
| 726563   | 1         | FITT.DK S-93 STR 2" W/O-RING   |
| 726564   | 1         | HOSE TAIL 2 1/2' W.O-RING      |
| 726575   | 1         | FITT.DK S-93 ELB. 2' RUBBER    |
| 726576   | 1         | FITT. DK S-93 2 1/2" 90°       |
| 726580   | 1         | FITT. S93 PLUG W/O-RING        |
| 727133   | 1         | FITT. S93 2-1/2" STR. S W/O-RI |
| 727225   | 1         | FITT.DK S-93 ELB.2'PVC W/ORING |
| 727226   | 1         | FITT. S93 2-1/2" 90° S W/O-RIN |
| 727227   | 1         | FITT.DK S-93 STR.2' W/ORING    |
| 727235   | 1         | QUICK COUPLER FEMALE W 1-1/2HB |
| 727236   | 1         | QUICK COUPLER FEMALE W 2'HB    |
| 727237   | 1         | QUICK COUPLER FEMALE W2-1/2'HB |
| 727339   | 1         | FITT. S93 DRAIN BULKHEAD W/O-R |
| 727476   | 1         | FITT. DK S-93 2"FM THD W.ORING |
| 727777   | 1         | QUICK COUPLER S93 DRAIN W/O-RI |
| 728120   | 1         | QUICK COUPLER CAP F.S93 DRAIN  |
| 728523   | 1         | FITT.DK S-93 STR.1-1/2"        |
| 728525   | 1         | FITT. S93 CONNECTOR W/O-RINGS  |
| 728527   | 1         | ADAPTER S67M TO S93M W/ORING   |
| 728562   | 1         | FITT.DK S-93 TO S67 ADAPTOR    |
| 729828   | 1         | FITT.DK S-93 ELB 2-1/2" RED    |
| 729829   | 1         | FITT.DK S-93 ELB 2 RED         |
| 729830   | 1         | FITT.DK S-93 ELB 1-1/2" 90 RED |
| 39121700 | 1         | FITT.DK S93 ADAP LG MALE MALE  |
| 72072700 | 1         | FITT.DK S-93 45D 2" PVC        |
| 72072900 | 1         | FITT.S93 2-1/2" 45°PVC W/ORING |



| I.D.                                   | PART # (ONE FOOT)                                        |                                                                                                                                                        |
|----------------------------------------|----------------------------------------------------------|--------------------------------------------------------------------------------------------------------------------------------------------------------|
| 3/8"<br>1/2"<br>3/4"<br>1"<br>1-1/4"   | 92701703<br>92702103<br>92703203<br>92712403<br>92734403 |  <p>RUBBER HOSE<br/>SMOOTH, BLACK, TWO BLUE STRIPES</p>              |
| 5/16"<br>3/8"<br>1/4"<br>1/2"<br>3/4"  | 927281<br>927284<br>927268<br>927269<br>927270           |  <p>PVC HOSE<br/>SHINY, BLACK, SMOOTH, TWO WHITE STRIPES</p>         |
| 1"<br>1-1/4"<br>1-1/2"<br>2"<br>2-1/2" | 92702403<br>92738900<br>92702603<br>92702703<br>92702803 |  <p>PVC SPIRAL SUCTION HOSE<br/>SHINY, RIBBED, GRAY</p>             |
| 3/4"                                   | 927205                                                   |  <p>PVC HOSE<br/>CLEAR, SMOOTH</p>                                 |
| 1/2"<br>3/4"                           | 10631003<br>927231                                       |  <p>PVC HOSE<br/>SMOOTH, CLEAR, REINFORCED WITH<br/>WHITE MESH</p> |
| 4mm<br>6mm<br>8mm<br>10mm              | 927253 RED<br>927264 RED<br>927306 BLACK<br>927330 BLACK |  <p>PVC AIR HOSE<br/>SMOOTH</p>                                    |

**H120**

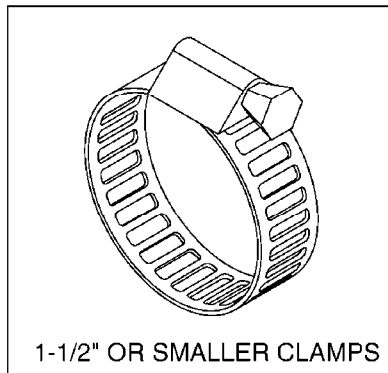




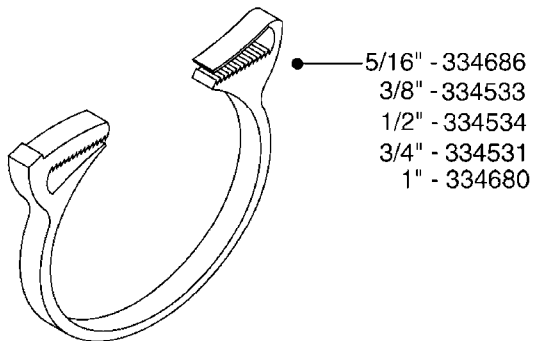
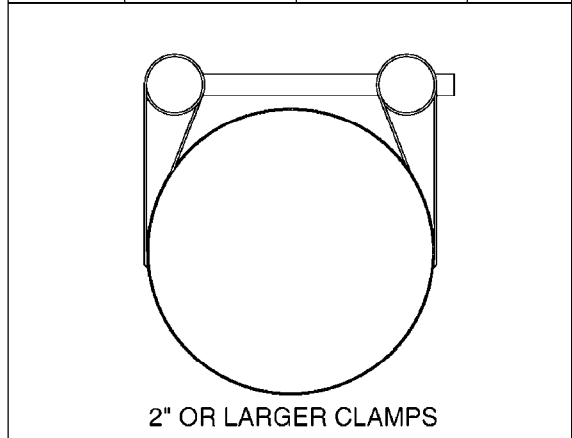
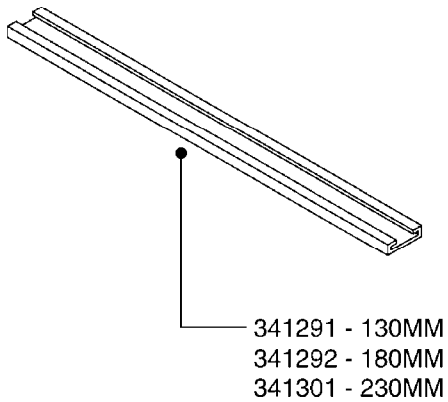
BULK HOSE  
H120-HIN, 11:05:10

Page 1  
Date 06.04.2015 10:39

| parts-n° | order qty | description                    |
|----------|-----------|--------------------------------|
| 927205   | 1         | HOSE R X CLEAR X 3/4 X 0012"   |
| 927231   | 1         | HOSE R X PVCX3/4 CLR/BRD 0012" |
| 927253   | 1         | AIR HOSE, DIAMETER 4MM         |
| 927264   | 1         | HOSE R X PE D6/D4 X 0012"      |
| 927268   | 1         | HOSE R X PVC X 1/4 X 0012"     |
| 927269   | 1         | HOSE R X PVC X 1/2 X 0012"     |
| 927270   | 1         | HOSE R X PVC X 3/4 X 0012"     |
| 927281   | 1         | HOSE R X PVC X 5/16 X 0012"    |
| 927284   | 1         | HOSE 3/8 PVC W/ INSERT         |
| 927306   | 1         | HOSE R X PE D8/D6 X 0012"BLACK |
| 927330   | 1         | HOSE R X PE D10/D8 X 012"BLACK |
| 10631003 | 1         | HOSE R X CLEAR BRAID.X 1/2 12" |
| 92701703 | 1         | HOSE R X3/8" X300PSI WP X0012" |
| 92702103 | 1         | HOSE R X1/2" X300PSI WP X0012" |
| 92702403 | 1         | HOSE PVC SUCT GRAY 1"          |
| 92702603 | 1         | HOSE PVC SUCT GRAY 1-1/2"      |
| 92702703 | 1         | HOSE PVC SUCT GRAY 2"          |
| 92702803 | 1         | SUGE SLANGE PVC GRÅ 2-1/2"     |
| 92703203 | 1         | HOSE R X3/4" X300PSI WP X0012" |
| 92712403 | 1         | HOSE R X1" X300PSI WP X0012"   |
| 92734403 | 1         | HOSE R X5/4" X200PSI WP X0012" |
| 92738900 | 1         | HOSE R X PVC X 1-1/4" 0012"    |



| Hose Size | Pressure | Suction  | Clamp Code |
|-----------|----------|----------|------------|
| 3/8"      | 28029803 |          | 6706       |
| 1/2"      | 28029803 |          | 6706       |
| 3/4"      | 28029903 |          | 6712       |
| 1"        | 28030003 | 28029903 | 6716       |
| 1-1/4"    | 28030103 |          | 6724       |
| 1-1/2"    |          | 28030103 | 6724       |
| 2"        |          | 28030203 | 235-67     |
| 2-1/2"    |          | 28030303 | 235-74     |
| 3"        |          | 28030403 | 235-82     |



**H130**



HOSE CLAMPS  
H130-HIN, 05:07:11

Page 1  
Date 06.04.2015 10:39

| parts-n° | order qty | description                    |
|----------|-----------|--------------------------------|
| 334531   | 1         | CLAMP HOSE PLASTIC 3/4"        |
| 334533   | 1         | CLAMP HOSE PLASTIC 3/8"        |
| 334534   | 1         | CLAMP HOSE PLASTIC 1/2"        |
| 334680   | 1         | CLAMP HOSE PLASTIC 1"          |
| 334686   | 1         | CLAMP HOSE PLASTIC 5/16"       |
| 341291   | 1         | RUBBER HOSE CLAMP COVER 130MM  |
| 341292   | 1         | RUBBER HOSE CLAMP COVER 180MM  |
| 341301   | 1         | RUBBER HOSE CLAMP COVER 230MM  |
| 28029803 | 1         | CLAMP HOSE GEAR P1/2" 6708     |
| 28029903 | 1         | CLAMP HOSE GEAR P3/4"-S1" 6712 |
| 28030003 | 1         | CLAMP HOSE GEAR P1" 6716       |
| 28030103 | 1         | CLAMP HOSE GEAR P5/4-S1.5"6724 |
| 28030203 | 1         | CLAMP HOSE T-BOLT S2" 235-67   |
| 28030303 | 1         | CLAMP HOSE T-BOLT S2.5" 235-76 |
| 28030403 | 1         | CLAMP HOSE T-BOLT S3" 235-82   |