



Agroparts: www.HARDI-INTERNATIONAL.com

New Navigator 575 Gallon
Eagle 45', 50', 60', 66'

Country-Code 11

Date 06.04.2015 11:25





| main group | page-n° | date | description |
|------------------------------|----------------------------------|----------|--------------------------------|
| Pumps, Pto's, Gear Boxes | A191-HIN | 08:11:11 | PUMP - 1303 W/ MOUNTING BASE |
| | A220-HIN | 28:07:14 | PUMP - 1301/1302 FITTINGS |
| | A240-HIN | 01:12:11 | PUMP - 363 W/MOUNTING BASE |
| | A250-HIN | 01:12:11 | PUMP - 363/1000 RPM W/MOUNTING |
| | A270-HIN | 01:12:11 | PUMP - 361/363FITTINGS |
| | A300-HIN | 01:12:11 | PUMP - 463 W/ MOUNTING BASE |
| | A310-HIN | 10:03:14 | PUMP - 463/1000 RPM W/MOUNTING |
| | A340-HIN | 10:03:14 | PUMP - 460/462/463 FITTINGS |
| | A430-HIN | 14:06:12 | PUMP-204,206-150,210,310 ACE |
| | A431-HIN | 20:01:14 | PUMP - ACE 150 BELT DRIVE |
| | A480-HIN | 13:12:11 | PTO SHAFTS - BONDIOLI DIAPH. |
| | A485-HIN | 20:01:14 | PTO SHAFTS - BONDIOLI CENT. |
| | A560-HIN | 07:01:15 | PTO SHAFTS - AMA DIAPHRAGM |
| | Controls, Suction & S.C. Filters | B251-HIN | 12:12:05 |
| B252-HIN | | 02:11:10 | EVC, ECP, ECPC CONTROLS |
| B253-HIN | | 18:12:10 | EC RETURN MANIFOLD |
| B280-HIN | | 30:05:13 | 12 VOLT OUTLET BOX |
| B301-HIN | | 28:11:06 | SMART VALVE - NEW NAVIGATOR |
| B320-HIN | | 29:10:12 | MANIFOLD - S93 VALVE |
| B321-HIN | | 29:10:12 | SMART VALVE-S93 MANIFOLD VALVE |
| B342-HIN | | 12:12:05 | PRESSURE RELIEF VALVE - S93 |
| B344-HIN | | 21:06:10 | CHECK VALVES - S40 |
| B345-HIN | | 21:06:10 | CHECK VALVES - S53 |
| B346-HIN | | 16:05:12 | CHECK VALVES - S67 |
| B347-HIN | | 16:05:12 | CHECK VALVES - S67 (2011) |
| B380-HIN | | 08:12:09 | TOP SUCTION ASSEMBLY-S93 2" |
| Hydraulics | B385-HIN | 07:11:12 | DOUBLE SUCTION FILTER - S93 |
| | C020-HIN | 14:12:07 | HYDRAULICS - CYLINDERS |
| | C025-HIN | 15:08:12 | HYDRAULICS - FAROIL CYLINDERS |
| | C161-HIN | 16:08:12 | HYDRAULICS-EAGLE HY 45'-66'NN |
| | C231-HIN | 03:09:09 | HYDRAULICS EAGLE/FORCE DH |
| | C250-HIN | 14:12:07 | HYD EAGLE HZ JOYSTICK CONTROL |
| | C252-HIN | 14:12:07 | HYD EAGLE HZ JOYSTICK 2005 |
| | C261-HIN | 16:08:12 | HYD EAGLE HZ SPB 45'-66' - NAV |
| | C511-HIN | 30:05:12 | CETOP VALVES |
| Booms, Nozzle Bodies & Tubes | D290-HIN | 16:09:14 | BOOM EAGLE WINGS 45' 50' |
| | D300-HIN | 16:09:14 | BOOM EAGLE WINGS 60' 66' |
| | D320-HIN | 01:11:12 | BOOM COMMANDER CENTER 45-66'DK |
| | D321-HIN | 01:11:12 | BOOM COMMANDER CENTER 45-66'US |
| | D401-HIN | 01:01:01 | TRANS.BRKTS-SPB NEW NAV PRE03 |
| | D402-HIN | 01:01:01 | TRANS.BKTS SPB/C NEW NAV 03 |
| | D620-HIN | 18:03:10 | NOZZLE BODIES-SNAP FIT |
| | D625-HIN | 04:06:13 | DOUBLE NOZZLE HOLDER-SNAP FIT |
| | D630-HIN | 12:04:13 | NOZZLE TUBES & HOLDER-PLASTIC |
| | D700-HIN | 14:12:07 | BOOM-NOZZLES 110° FLAT FAN ISO |
| | D701-HIN | 14:12:07 | BOOM-NOZZLES 110° LOWDRIFT ISO |
| | D702-HIN | 14:12:07 | BOOM-NOZZLES 80° FLAT FAN ISO |
| | D703-HIN | 14:12:07 | BOOM-NOZZLE CAPS AND FILTERS |
| | D704-HIN | 14:12:07 | BOOM-NOZZLES INJET |
| | D705-HIN | 14:12:07 | BOOM-NOZZLES MINIDRIFT |
| | D706-HIN | 14:12:07 | BOOM-NOZZLES QUINTASTREAM |
| | Tanks | E391-HIN | 19:12:10 |
| E392-HIN | | 19:12:10 | TANK - 575/1100 NEW NAV ECPC |



New Navigator 575 Gallon
Eagle 45', 50', 60', 66'

Page 0.2

Date 06.04.2015 11:25

| main group | page-n° | date | description |
|------------------------------|----------|-------------------------|---------------------------------|
| Frames, Hub Assemblies | F251-HIN | 14:12:07 | FRAME "NEW" NAV 575 |
| | F252-HIN | 21:05:09 | FIXED AXLE "NEW" NAV 575 |
| | F382-HIN | 21:05:09 | "NEW" NAVIGATOR SUSPENDED AXLE |
| | F441-HIN | 19:06:10 | HUB ASSY 3" SPINDLE NAV 575 |
| Accessories | G050-HIN | 06:10:10 | CHEM.FILLER-MOUNTING BRACKETS |
| | G060-HIN | 09:12:09 | CHEM.FILLER-PLUMBING-MANIFOLD |
| | G100-HIN | 19:05:11 | CHEMICAL FILLER-HOPPER(POST95) |
| | G110-HIN | 26:06:06 | CLEAN WATER TANK |
| | G120-HIN | 05:04:12 | DRAIN ASSEMBLY-PULL CORD TYPE |
| | G190-HIN | 28:11:06 | END NOZZLE KIT |
| | G191-HIN | 09:05:13 | ELECTRIC END NOZZLE KIT '09 |
| | G194-HIN | 22:05:14 | CFX-750 DISPLAY, DGPS |
| | G195-HIN | 01:01:01 | EZ-GUIDE PLUS LIGHT BAR |
| | G196-HIN | 15:11:09 | EZ-STEER STEERING SYSTEM |
| | G197-HIN | 09:12:09 | EZ-GUIDE 500 LIGHTBAR |
| | G198-HIN | 01:12:09 | EZ-STEER 500 STEERING SYSTEM |
| | G199-HIN | 30:11:09 | EZ-GUIDE 250 LIGHTBAR |
| | G211-HIN | 01:01:01 | FILLMETER |
| | G220-HIN | 29:08:12 | FILTER ASSEMBLIES-IN LINE |
| | G311-HIN | 12:12:05 | FLUSH - NEW NAVIGATOR 575/1100 |
| | G312-HIN | 01:01:01 | NEW NAV FLUSH TANK LATCH ASSM. |
| | G341-HIN | 27:05:10 | FOAM MARKER COMPRESSOR 2002 |
| | G342-HIN | 21:04:14 | FOAM MARKER COMPRESSOR 2007 |
| | G360-HIN | 12:12:05 | FOAM MARKER COMP H-CAP 2001 |
| | G410-HIN | 12:12:05 | FOAMMARKER DROPPER UPDATE 2000 |
| | G420-HIN | 05:05:11 | F MARKER TANK/DROPPER HIGH CAP |
| | G421-HIN | 05:05:11 | FOAM MARKER TANK-NEW NAVIGATOR |
| | G450-HIN | 19:05:11 | HANDGUN TYPE 60S/60L POST 95 |
| | G480-HIN | 15:11:09 | HC 2500/HM1500 DISPLAY/SCANBOX |
| | G481-HIN | 16:12:08 | MUSTANG 3500 CONTROLLER |
| | G490-HIN | 08:04:10 | TRANSDUCERS AND ACCESSORIES |
| | G510-HIN | 19:05:11 | HOSE WRAPS |
| | G520-HIN | 01:05:13 | PRESSURE GAUGES |
| | G565-HIN | 12:12:05 | QUICKFILL-VALVES-BANJO 2" & 3" |
| | G570-HIN | 20:12:10 | S93 QUICKFILL SYSTEM |
| | G611-HIN | 19:05:11 | REMOTE GAUGE-MAGNETIC BASE KIT |
| | G630-HIN | 28:11:06 | RINSE SYSTEM NOZZLES |
| G640-HIN | 19:05:11 | RINSE SYSTEM PLUMBING | |
| G645-HIN | 12:12:05 | SAFETY CHAINS | |
| G650-HIN | 13:06:11 | SIGHT GAUGE - REMOTE | |
| G680-HIN | 01:01:01 | TRAFFIC LIGHT KIT | |
| G702-HIN | 05:08:14 | SPRAYBOX II | |
| G705-HIN | 01:12:10 | JUNCTION BOX - LIQUID | |
| G710-HIN | 16:05:12 | 39 PIN CABLES | |
| G711-HIN | 09:05:13 | ELECTRIC END NOZZLE KIT | |
| Fittings, Bulk Hose & Clamps | H010-HIN | 28:11:06 | FITTINGS-CAP NUTS & HOSE BARBS |
| | H020-HIN | 01:01:01 | FITTINGS-T-PIECES,CAPS & ELBOWS |
| | H030-HIN | 01:01:01 | FITTINGS - HEXAGON NIPPLES |
| | H040-HIN | 01:01:01 | FITTINGS - NIPPLES & ELBOWS |
| | H050-HIN | 31:03:09 | FITTINGS - HOSE CONNECTORS |
| | H060-HIN | 01:01:01 | FITTINGS - BULKHEAD |
| | H070-HIN | 01:02:12 | FITTINGS - S-40 |
| | H080-HIN | 01:02:12 | FITTINGS - S-53 |
| | H090-HIN | 01:01:01 | FITTINGS - S-56 & S-61 |
| | H100-HIN | 08:11:12 | FITTINGS - S-67 |

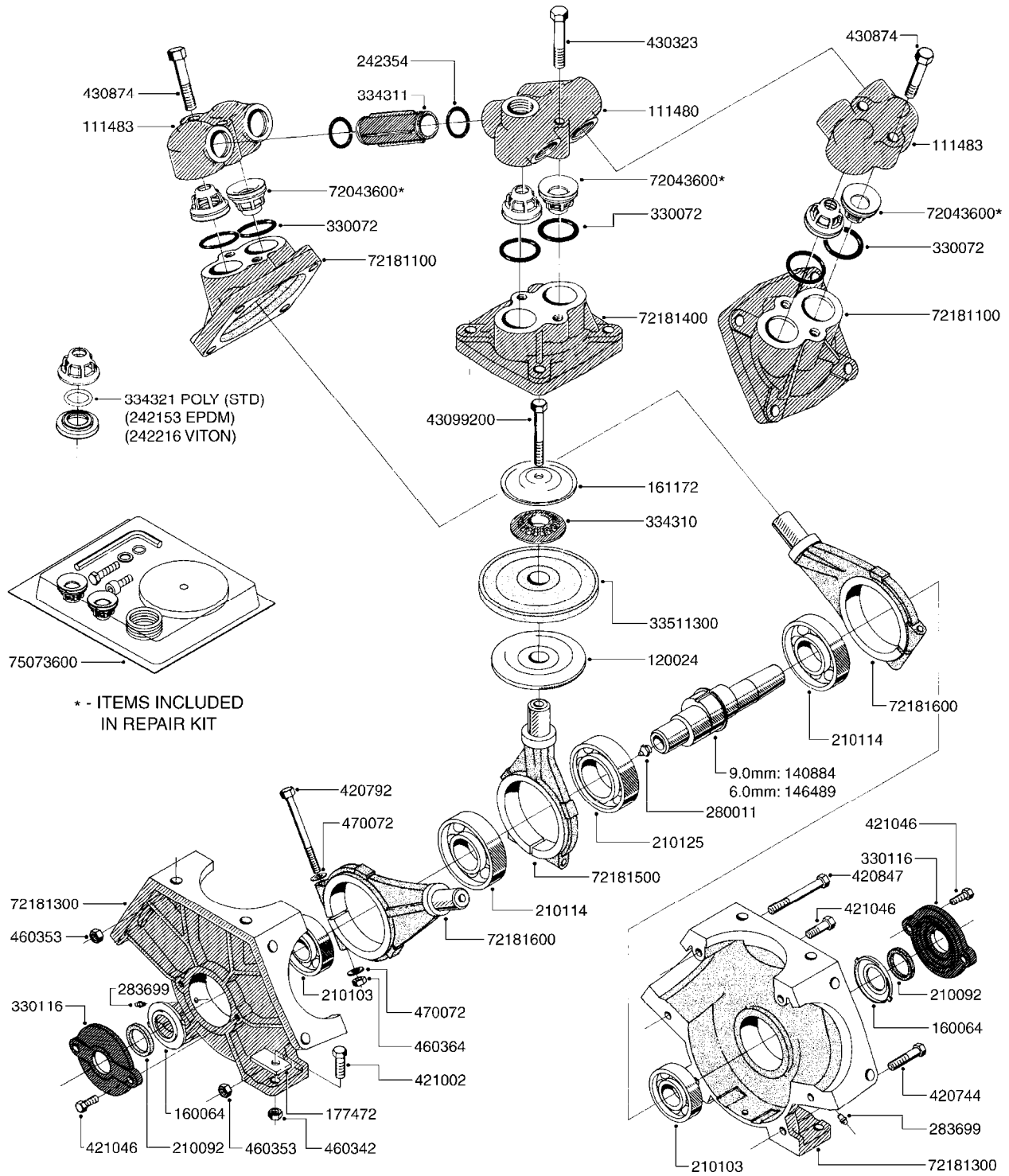


New Navigator 575 Gallon
Eagle 45', 50', 60', 66'

Page 0.3

Date 06.04.2015 11:25

| main group | page-n° | date | description |
|------------|----------------------------------|----------------------------------|---|
| | H110-HIN H120-HIN H130-HIN | 08:11:12 11:05:10 05:07:11 | FITTINGS - S-93 BULK HOSE HOSE CLAMPS |



COMPLETE PUMPS
821635 - PUMP ONLY
10396203 - WITH PTO & DAMPER

COMPLETE ASSEMBLIES
WHOLEGOODS ITEMS

A191



PUMP - 1303 W/ MOUNTING BASE
A191-HIN, 08:11:11

Page 1

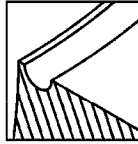
Date 06.04.2015 11:25

| parts-n° | order qty | description |
|----------|-----------|-------------------------------------|
| 111480 | 1 | VALVE HEAD 1302 CENTER |
| 111483 | 1 | VALVE HEAD SIDE 1302 |
| 120024 | 1 | DIAPHRAGM BACK DISC 1200-1300 |
| 140884 | 1 | CRANK SHAFT MODEL 1300-9 |
| 146489 | 1 | CRANK SHAFT MODEL 1302-6MM |
| 160064 | 1 | DUST PLATE |
| 161172 | 1 | DIAPHRAGM DISC F. 1203/1303 |
| 177472 | 1 | BRACKET 25 X 5 |
| 210092 | 1 | SEAL FELT D43/30X5 |
| 210103 | 1 | BEARING BALL 6306 |
| 210114 | 1 | BEARING BALL 6308 |
| 210125 | 1 | BEARING BALL 6210 |
| 242153 | 1 | O-RING D26X4 EPDM |
| 242216 | 1 | O-RING VITON F/1202/1302/462 |
| 242354 | 1 | O-RING D32.2X3.0 VITON F.S-53 |
| 280011 | 1 | GREASE NIPPLE 1/8" H TR |
| 283699 | 1 | GREASE NIPPLE M6X1 |
| 330072 | 1 | O-RING D53.5/D45.5X4 |
| 330116 | 1 | SEAL RETAINER, MODEL 1300 |
| 334310 | 1 | NYLON WASHER 1202/1302/462 |
| 334311 | 1 | CONNECTION PIPE INLET MOD.1302 |
| 334321 | 1 | O-RING POLY. 34.0x26.0x4.0 |
| 420744 | 1 | BOLT HEX 8.8 DEL M8X40 |
| 420792 | 1 | BOLT HEX 8.8 RAW M8X95 |
| 420847 | 1 | BOLT HEX 8.8 DEL M8X85 |
| 421002 | 1 | BOLT HEX 8.8 DEL M10X30 FT DIN933 |
| 421046 | 1 | BOLT HEX 8.8 DEL M8X25 FT A2 DIN933 |
| 430323 | 1 | BOLT HEX 8.8 DEL M12X60 |
| 430874 | 1 | SCREW SET 8.8 DEL M12X70 FT |
| 460342 | 1 | NUT HEX M10 DEL DIN934 |
| 460353 | 1 | NUT HEX M8 BLACK |
| 460364 | 1 | NUT HEX M8 GALV. |
| 470072 | 1 | WASHER D15/D8X.5 LOCK |
| 821635 | 1 | PUMP 1303/9 540RPM |
| 10396203 | 1 | PUMP 1303 C/W PTO 540 RPM |
| 33511300 | 1 | DIAPHRAGM 1202-1303 POLY 2006 |
| 43099200 | 1 | BOLT HEX SS M12 X 30 DIN933 A4 |
| 72043600 | 1 | VALVE FOR 462/463 |
| 72181100 | 1 | DIAPHRAGM COVER 1203/1303+BLTS |
| 72181300 | 1 | PUMP CASTING 1300 RED W/BOLTS |
| 72181400 | 1 | DIAPHRAGM COVER 1303 W/BOLTS |
| 72181500 | 1 | CONNECTING ROD, CENTER 1303 |
| 72181600 | 1 | CONNECTING ROD, SIDE MOD.1300 |
| 75073600 | 1 | PUMP KIT 1303 MM "06" |



Housing for Black Diaphragm-

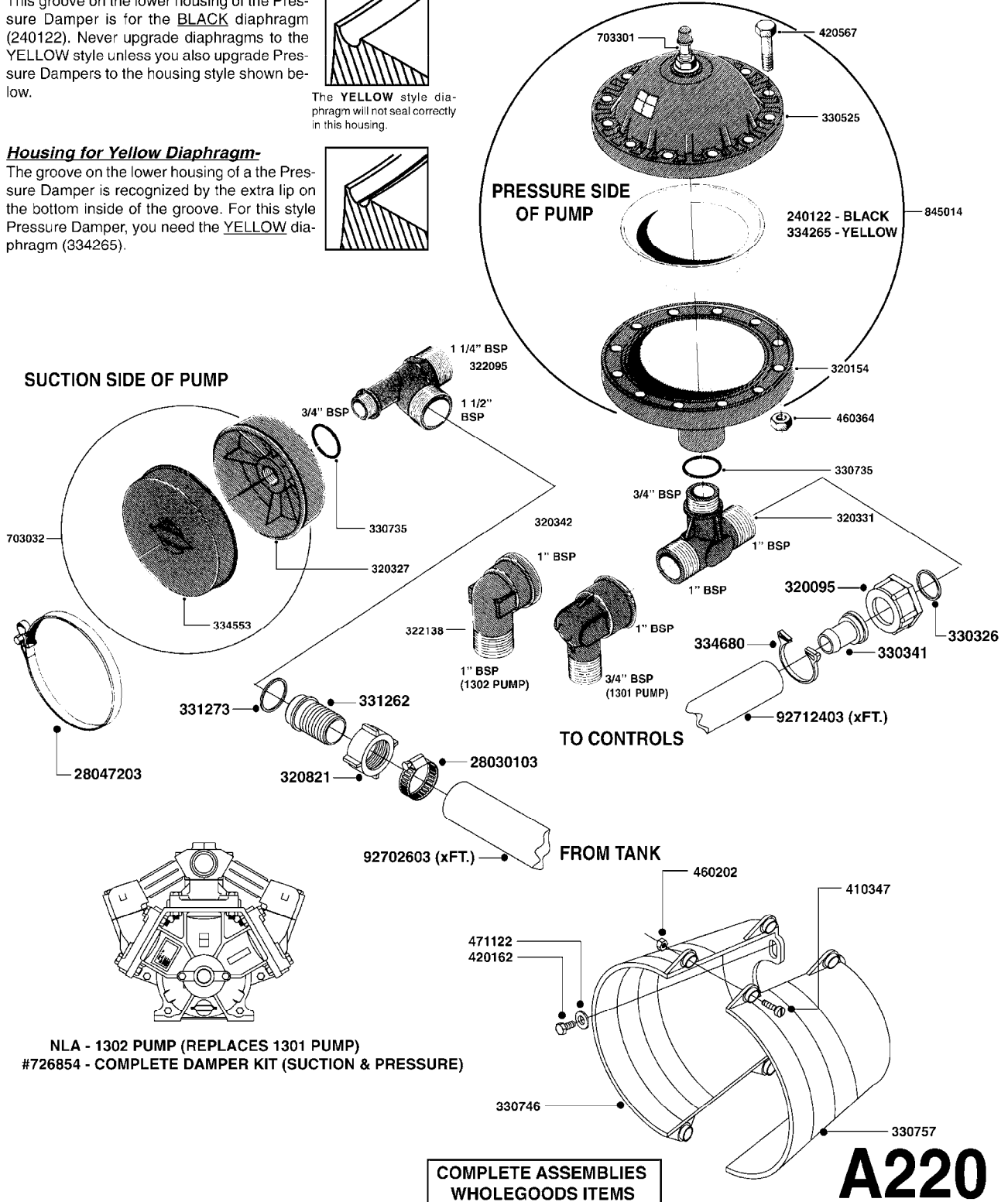
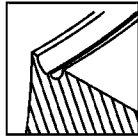
This groove on the lower housing of the Pressure Damper is for the BLACK diaphragm (240122). Never upgrade diaphragms to the YELLOW style unless you also upgrade Pressure Dampers to the housing style shown below.



The YELLOW style diaphragm will not seal correctly in this housing.

Housing for Yellow Diaphragm-

The groove on the lower housing of a the Pressure Damper is recognized by the extra lip on the bottom inside of the groove. For this style Pressure Damper, you need the YELLOW diaphragm (334265).



COMPLETE ASSEMBLIES
WHOLEGOODS ITEMS

A220

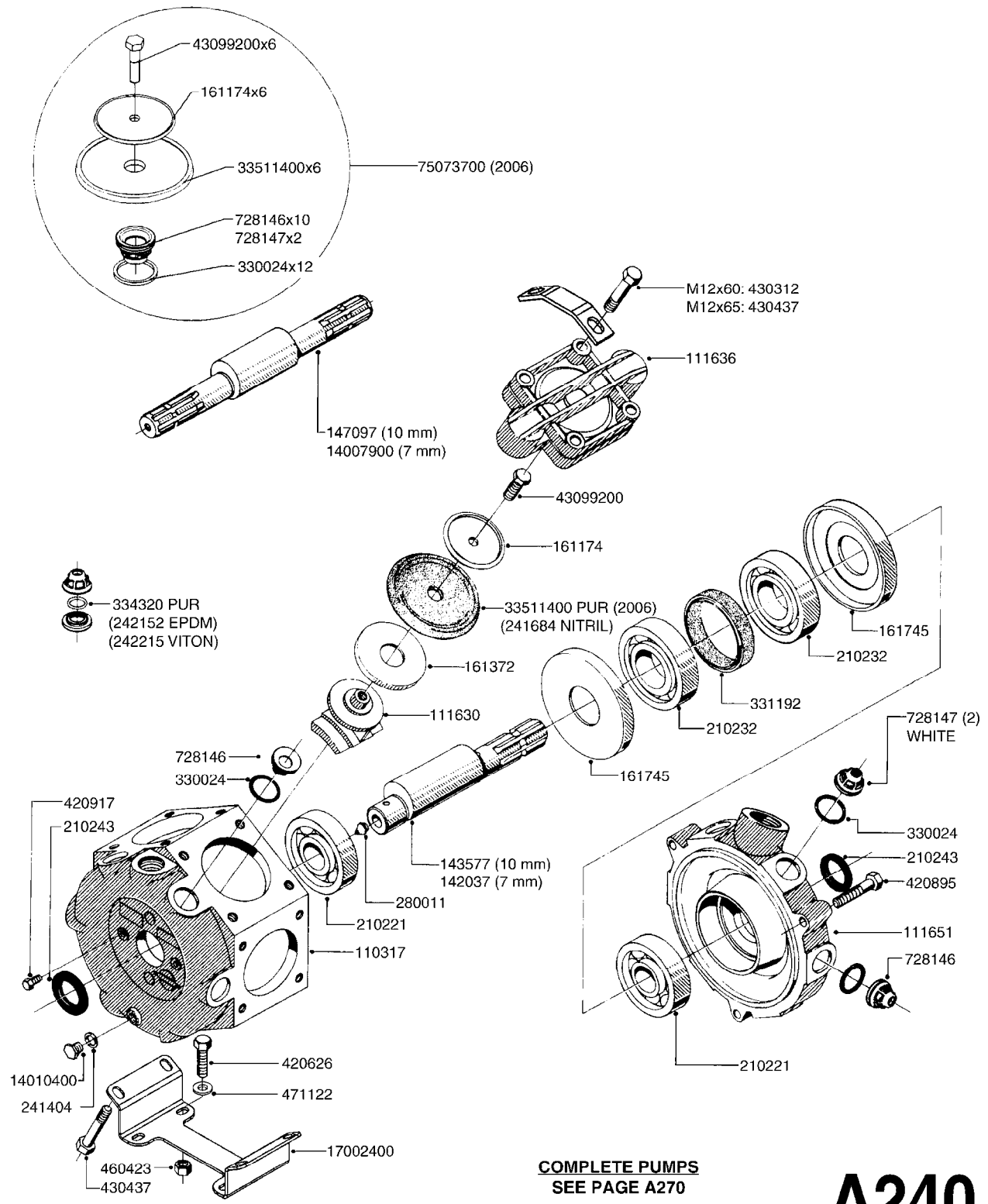


PUMP - 1301/1302 FITTINGS
A220-HIN, 28:07:14

Page 1

Date 06.04.2015 11:25

| parts-n° | order qty | description |
|----------|-----------|------------------------------------|
| 240122 | 1 | DIAPHRAGM FOR PRES.DAMP.(EPDM) |
| 320095 | 1 | FITT.DK NUT 1" BSP |
| 320154 | 1 | AIR BOTTLE, BOTTOM PART |
| 320327 | 1 | HOUSING F. SUCTION AIR BOTTLE |
| 320331 | 1 | FITT.DK TEE 1" - 1" - 3/4" BSP |
| 320342 | 1 | FITT.DK EL 3/4"M X 1"F BSP |
| 320821 | 1 | FITT.DK NUT 1-1/2" BSP |
| 322095 | 1 | FITT.DK TEE 1-1/2 X1-1/4 X3/4" BSP |
| 322138 | 1 | FITT.DK ELB 1"M X 1"F BSP |
| 330326 | 1 | O-RING D30/D24X2 F.1"NUT |
| 330341 | 1 | FITT.DK HB 1" F. 1" NUT |
| 330525 | 1 | AIR BOTTLE, TOP HALF |
| 330735 | 1 | O-RING D30/D26X2 |
| 330746 | 1 | GUARD PTO LOWER PART SHORT |
| 330757 | 1 | GUARD PTO UPPER PART SHORT |
| 331262 | 1 | FITT.DK HB 1-1/2" F. 1-1/2"NUT |
| 331273 | 1 | O-RING D44/D38X2 F.1-1/2" |
| 334265 | 1 | DIAPHRAGM F. PRESS DAMP.NITRIL |
| 334553 | 1 | DIAPHRAGM F.SUCTION AIR BOTTLE |
| 334680 | 1 | CLAMP HOSE PLASTIC 1" |
| 410347 | 1 | SCREW M6X20 8.8 |
| 420162 | 1 | BOLT HEX 8.8 DEL 3/8"x15MM |
| 420567 | 1 | BOLT HEX 8.8 DEL M8X30 FT |
| 460202 | 1 | NUT HEX M6 |
| 460364 | 1 | NUT HEX M8 GALV. |
| 471122 | 1 | WASHER D20/D10.5X2 SS |
| 703032 | 1 | SUCTION AIR BOTTLE 3/4" COMPL. |
| 703301 | 1 | VALVE FOR AIR BOTTLE |
| 726854 | 1 | DAMPER KIT 1203/1303 |
| 845014 | 1 | AIR BOTTLE COMPLETE HJ73 |
| 28030103 | 1 | CLAMP HOSE GEAR P5/4-S1.5"6724 |
| 28047203 | 1 | CLAMP HOSE GEAR 60 X 80 6756 |
| 92702603 | 1 | HOSE PVC SUCT GRAY 1-1/2" |
| 92712403 | 1 | HOSE R X1" X300PSI WP X0012" |



COMPLETE PUMPS
SEE PAGE A270

A240

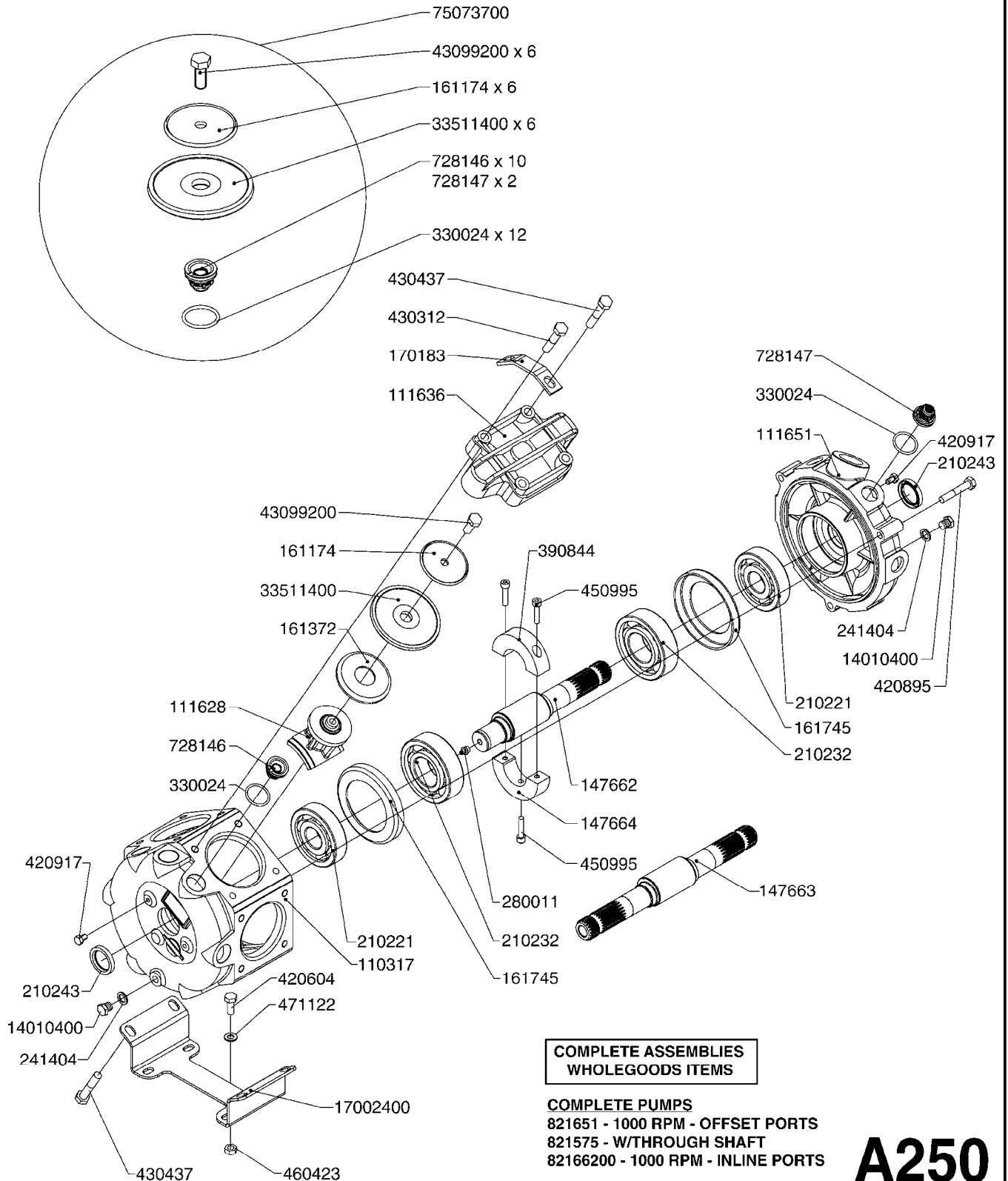


PUMP - 363 W/MOUNTING BASE
A240-HIN, 01:12:11

Page 1

Date 06.04.2015 11:25

| parts-n° | order qty | description |
|----------|-----------|--------------------------------|
| 110317 | 1 | PUMP CASING MODEL 360/361 PNTD |
| 111630 | 1 | CONNECTING ROD F. 363 PUMP |
| 111636 | 1 | VALVE COVER 363 HEAVY DUTY |
| 111651 | 1 | CASTING F.363 1.5" PUMP(FRONT) |
| 142037 | 1 | CRANK SHAFT 361-20 |
| 143577 | 1 | CRANK SHAFT F.363/462/463-10mm |
| 147097 | 1 | CRANK SHAFT 363-463/10 THROUGH |
| 161174 | 1 | DIAPHRAGM DISC SS F.363 PUMP |
| 161372 | 1 | DIAPHRAGM BACKING DISC,320-361 |
| 161745 | 1 | METAL SPACER F.363/463 |
| 210221 | 1 | BEARING BALL 6407 |
| 210232 | 1 | BEARING BALL 6310 |
| 210243 | 1 | SEAL OIL 35 X 47 X 7 |
| 241404 | 1 | DOWTYSEAL 1/4" |
| 241684 | 1 | DIAPHRAGM MODEL 361 NITRIL |
| 242152 | 1 | O-RING D18.2X3 EPDM |
| 242215 | 1 | O-RING D18X3 VITON |
| 280011 | 1 | GREASE NIPPLE 1/8' H TR |
| 330024 | 1 | O-RING D41,1/D34.5 X 3,5 |
| 331192 | 1 | SPACER, MODEL 361/363 |
| 334320 | 1 | O-RING D18X3 POLYURETHANE |
| 420626 | 1 | BOLT HEX 8.8 DEL M10X20 FT |
| 420895 | 1 | BOLT HEX 8.8 RAW M10X60 |
| 420917 | 1 | BOLT HEX 8.8 RAW M8X12 FT |
| 430312 | 1 | BOLT HEX 8.8 RAW M12X60 |
| 430437 | 1 | BOLT HEX 8.8 RAW M12X65 |
| 460423 | 1 | NUT HEX M10X1.5 LOCK |
| 471122 | 1 | WASHER D20/D10.5X2 SS |
| 728146 | 1 | VALVE FOR 361(726890/707932) |
| 728147 | 1 | VALVE FOR 361 WHITE WITH HOLE |
| 14007900 | 1 | CRANK 363/462/463-7mm 540/THRU |
| 14010400 | 1 | PLUG 1/4" BSP |
| 17002400 | 1 | FOOT F/363 PUMP (PAINTED) |
| 33511400 | 1 | DIAPHRAGM 361/363 pur 2006 |
| 43099200 | 1 | BOLT HEX SS M12 X 30 DIN933 A4 |
| 75073700 | 1 | PUMP KIT 361/363 "06" |





PUMP - 363/1000 RPM W/MOUNTING
A250-HIN, 01:12:11

Page 1

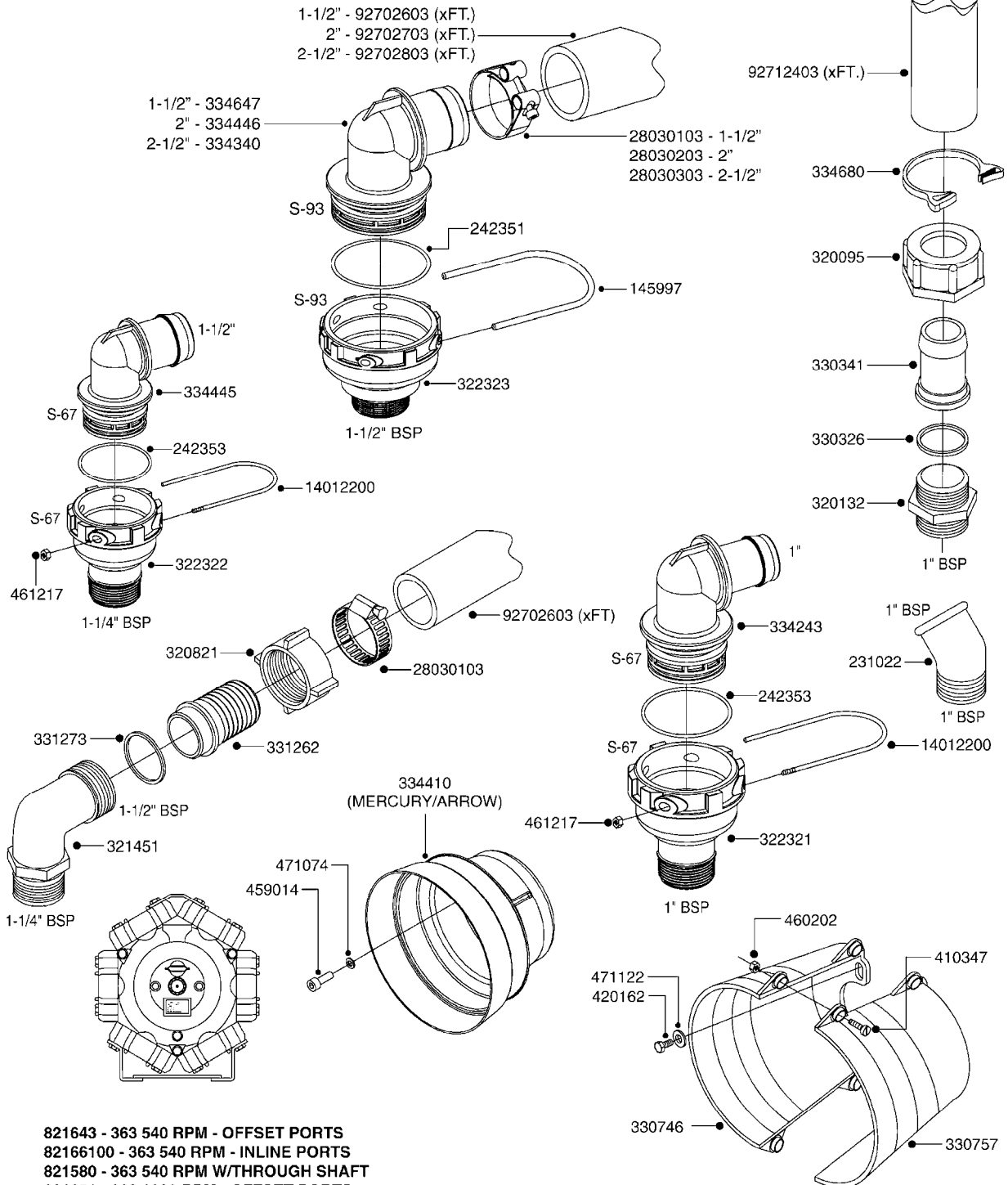
Date 06.04.2015 11:25

| parts-n° | order qty | description |
|----------|-----------|-----------------------------------|
| 110317 | 1 | PUMP CASING MODEL 360/361 PNTD |
| 111628 | 1 | CONNECTING ROD 363/5.5MM |
| 111636 | 1 | VALVE COVER 363 HEAVY DUTY |
| 111651 | 1 | CASTING F.363 1.5" PUMP(FRONT) |
| 147662 | 1 | CRANK SHAFT F.363/463-5.5MM |
| 147663 | 1 | CRANK SHAFT 363/463-5.5 THROUG |
| 147664 | 1 | COUNTERBALANCE 363/463 WEIGHT |
| 161174 | 1 | DIAPHRAGM DISC SS F.363 PUMP |
| 161372 | 1 | DIAPHRAGM BACKING DISC,320-361 |
| 161745 | 1 | METAL SPACER F.363/463 |
| 170183 | 1 | LIFT STRAP F.PUMP 360/361/462 |
| 210221 | 1 | BEARING BALL 6407 |
| 210232 | 1 | BEARING BALL 6310 |
| 210243 | 1 | SEAL OIL 35 X 47 X 7 |
| 241404 | 1 | DOWTYSEAL 1/4" |
| 280011 | 1 | GREASE NIPPLE 1/8' H TR |
| 330024 | 1 | O-RING D41,1/D34.5 X 3,5 |
| 390844 | 1 | COUNTERBALANCE 363/463 POM |
| 420604 | 1 | BOLT HEX 8.8 DEL M10X25 FT DIN933 |
| 420895 | 1 | BOLT HEX 8.8 RAW M10X60 |
| 420917 | 1 | BOLT HEX 8.8 RAW M8X12 FT |
| 430312 | 1 | BOLT HEX 8.8 RAW M12X60 |
| 430437 | 1 | BOLT HEX 8.8 RAW M12X65 |
| 450995 | 1 | BOLT ALLEN M8X30 DIN 912 RAW |
| 460423 | 1 | NUT HEX M10X1.5 LOCK |
| 471122 | 1 | WASHER D20/D10.5X2 SS |
| 728146 | 1 | VALVE FOR 361(726890/707932) |
| 728147 | 1 | VALVE FOR 361 WHITE WITH HOLE |
| 821575 | 1 | PUMP 363/5.5 THROUGH SHAFT |
| 821651 | 1 | PUMP 363/5.5/1000 OSP |
| 14010400 | 1 | PLUG 1/4" BSP |
| 17002400 | 1 | FOOT F/363 PUMP (PAINTED) |
| 33511400 | 1 | DIAPHRAGM 361/363 pur 2006 |
| 43099200 | 1 | BOLT HEX SS M12 X 30 DIN933 A4 |
| 75073700 | 1 | PUMP KIT 361/363 "06" |
| 82166200 | 1 | PUMP 363/5.5 1.5"SUC 1000RPM |



SUCTION SIDE OF PUMP

PRESSURE SIDE OF PUMP



- 821643 - 363 540 RPM - OFFSET PORTS
- 82166100 - 363 540 RPM - INLINE PORTS
- 821580 - 363 540 RPM W/THROUGH SHAFT
- 821651 - 363 1000 RPM - OFFSET PORTS
- 82166200 - 363 1000 RPM - INLINE PORTS
- 821575 - 363 1000 RPM W/THROUGH SHAFT

**COMPLETE ASSEMBLIES
WHOLEGOODS ITEMS**

A270



PUMP - 361/363 FITTINGS
A270-HIN, 01:12:11

Page 1

Date 06.04.2015 11:25

| parts-n° | order qty | description |
|----------|-----------|--------------------------------|
| 145997 | 1 | FITT.DK S-93 FORK |
| 231022 | 1 | FITT.DK ELB. 1' BSP GF 121 |
| 242351 | 1 | O-RING D69.5X3.0 VITON F.S-93 |
| 242353 | 1 | O-RING D44.2X3.0 VITON F.S-67 |
| 320095 | 1 | FITT.DK NUT 1" BSP |
| 320132 | 1 | FITT.DK HN 1" BSP |
| 320821 | 1 | FITT.DK NUT 1-1/2" BSP |
| 321451 | 1 | FITT.DK ELB.1-1/2 X1-1/4 80DEG |
| 322321 | 1 | FITT.DK S-67 X 1"BSP MALE |
| 322322 | 1 | FITT.DK S-67 X 1-1/4"BSP MALE |
| 322323 | 1 | FITT.DK S-93 X 1-1/2"BSP MALE |
| 330326 | 1 | O-RING D30/D24X2 F.1"NUT |
| 330341 | 1 | FITT.DK HB 1" F. 1" NUT |
| 330746 | 1 | GUARD PTO LOWER PART SHORT |
| 330757 | 1 | GUARD PTO UPPER PART SHORT |
| 331262 | 1 | FITT.DK HB 1-1/2" F. 1-1/2"NUT |
| 331273 | 1 | O-RING D44/D38X2 F.1-1/2" |
| 334243 | 1 | FITT.DK S-67 ELB.1" |
| 334340 | 1 | FITT.DK S-93 ELBOW 2.5" |
| 334410 | 1 | PROTECTION GUARD |
| 334445 | 1 | FITT.DK S-67 ELB.1-1/2" |
| 334446 | 1 | FITT.DK S-93 ELB.2" PVC |
| 334647 | 1 | FITT.DK S93 ELB 1-1/2" 90 PVC |
| 334680 | 1 | CLAMP HOSE PLASTIC 1" |
| 410347 | 1 | SCREW M6X20 8.8 |
| 420162 | 1 | BOLT HEX 8.8 DEL 3/8"x15MM |
| 459014 | 1 | ALLEN SCREW M8 X 15 GALV.DIN93 |
| 460202 | 1 | NUT HEX M6 |
| 461217 | 1 | NUT HEX M5 LOCK |
| 471074 | 1 | WASHER M8 ELZ |
| 471122 | 1 | WASHER D20/D10.5X2 SS |
| 821575 | 1 | PUMP 363/5.5 THROUGH SHAFT |
| 821580 | 1 | PUMP 363/10 THROUGH SHAFT |
| 821643 | 1 | PUMP 363/10 1.5"SUC 540RPM OSP |
| 821651 | 1 | PUMP 363/5.5/1000 OSP |
| 14012200 | 1 | FITT.DK S-67 FORK W/M5 THREADS |
| 28030103 | 1 | CLAMP HOSE GEAR P5/4-S1.5"6724 |
| 28030203 | 1 | CLAMP HOSE T-BOLT S2" 235-67 |
| 28030303 | 1 | CLAMP HOSE T-BOLT S2.5" 235-76 |
| 82166100 | 1 | PUMP 363/10 1.5"SUC 540RPM |
| 82166200 | 1 | PUMP 363/5.5 1.5"SUC 1000RPM |
| 92702603 | 1 | HOSE PVC SUCT GRAY 1-1/2" |
| 92702703 | 1 | HOSE PVC SUCT GRAY 2" |
| 92702803 | 1 | SUGE SLANGE PVC GRÅ 2-1/2" |
| 92712403 | 1 | HOSE R X1" X300PSI WP X0012" |

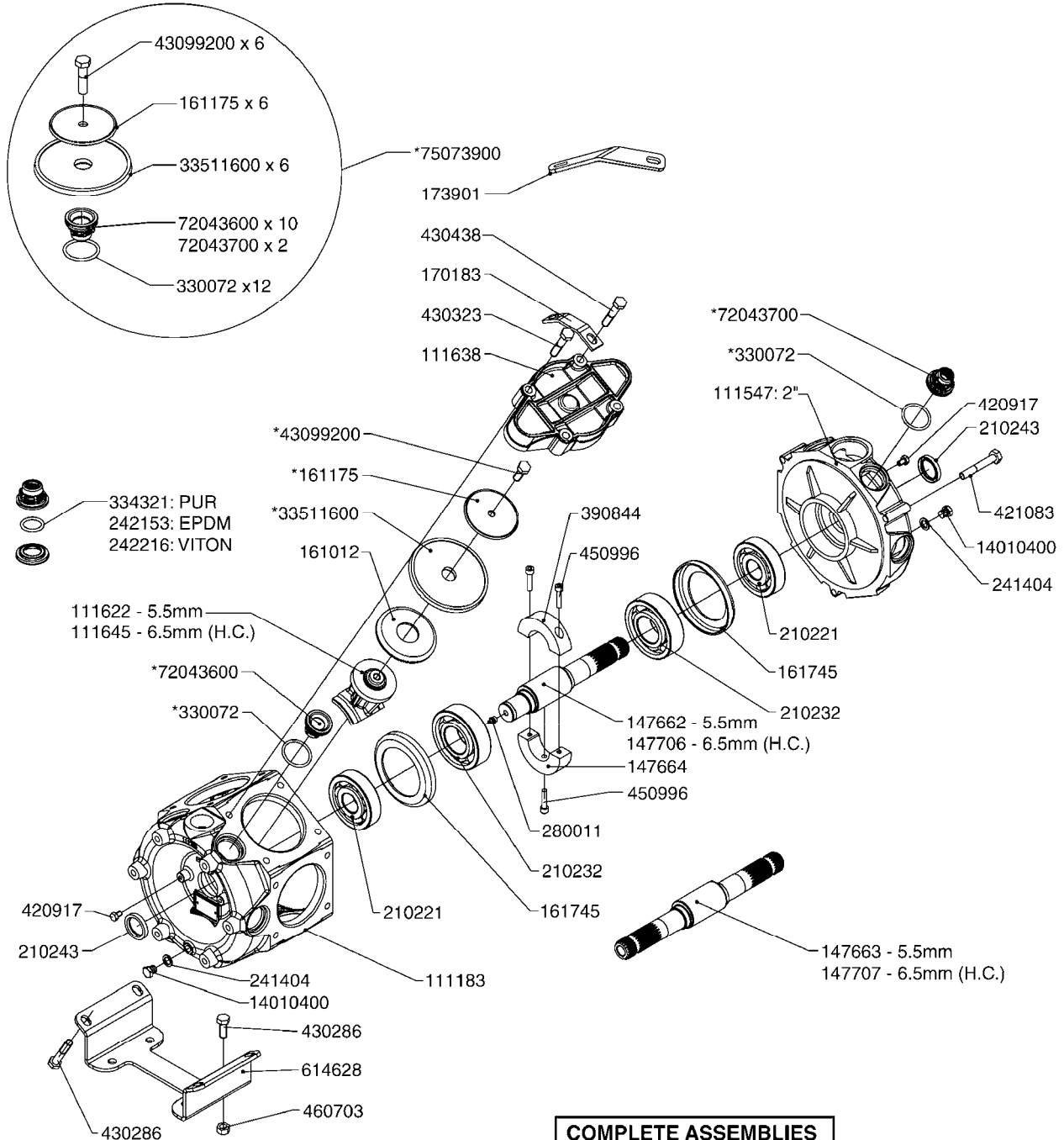


PUMP - 463 W/ MOUNTING BASE
A300-HIN, 01:12:11

Page 1

Date 06.04.2015 11:25

| parts-n° | order qty | description |
|----------|-----------|---------------------------------|
| 111183 | 1 | PUMP CASTING 460-463 (PAINTED) |
| 111547 | 1 | PUMP CASTING 460-463-2' (PAINT) |
| 111623 | 1 | CONNECTING ROD 463/10MM |
| 111624 | 1 | CONNECTING ROD 463/12MM |
| 111638 | 1 | VALVE COVER 463 HC+1000 VERS. |
| 143577 | 1 | CRANK SHAFT F.363/462/463-10mm |
| 147097 | 1 | CRANK SHAFT 363-463/10 THROUGH |
| 147571 | 1 | CRANK SHAFT F.463-12mm |
| 147688 | 1 | CRANK SHAFT 462/12 THROUGH |
| 161012 | 1 | DIAPHRAGM BACKING DISC F. 463 |
| 161175 | 1 | DIAPHRAGM DISC F. 463 PUMP |
| 161745 | 1 | METAL SPACER F.363/463 |
| 173901 | 1 | LIFT STRAP F.PUMP 463 |
| 210221 | 1 | BEARING BALL 6407 |
| 210232 | 1 | BEARING BALL 6310 |
| 210243 | 1 | SEAL OIL 35 X 47 X 7 |
| 241404 | 1 | DOWTYSEAL 1/4" |
| 242153 | 1 | O-RING D26X4 EPDM |
| 242216 | 1 | O-RING VITON F/1202/1302/462 |
| 280011 | 1 | GREASE NIPPLE 1/8' H TR |
| 330072 | 1 | O-RING D53.5/D45.5X4 |
| 331192 | 1 | SPACER, MODEL 361/363 |
| 334321 | 1 | O-RING POLY. 34.0x26.0x4.0 |
| 421083 | 1 | BOLT HEX 8.8 DEL M10X65 |
| 430286 | 1 | BOLT HEX 8.8 DEL M12X30 FT |
| 430323 | 1 | BOLT HEX 8.8 DEL M12X60 |
| 430438 | 1 | BOLT HEX 8.8 DEL M12X65 |
| 460703 | 1 | NUT HEX M12X1.75 LOCK DIN985 |
| 614628 | 1 | FOOT FOR PUMP 460-463 PAINTED |
| 821587 | 1 | PUMP 463/10 THROUGH SHAFT TWNF |
| 821649 | 1 | PUMP 463/12/540 OFFSET PORTS |
| 14010400 | 1 | PLUG 1/4" BSP |
| 33511600 | 1 | DIAPHRAGM F. 463 PUMP POLY.'06 |
| 43099200 | 1 | BOLT HEX SS M12 X 30 DIN933 A4 |
| 72043600 | 1 | VALVE FOR 462/463 |
| 72043700 | 1 | VALVE FOR 462/463 W.VENT HOLE |
| 75073900 | 1 | PUMP KIT 463 "06" |
| 82166300 | 1 | PUMP 463/12 2"SUC 540RPM |



**COMPLETE ASSEMBLIES
WHOLEGOODS ITEMS**

COMPLETE PUMPS

- 821585 - 463/5.5 W/THROUGH SHAFT (1000 RPM)
- 821587 - 463/10 W/THROUGH SHAFT (540 RPM)
- 821649 - 463/12 (540 RPM H.C. OFFSET PORTS)
- 821650 - 463/6.5 (1000 RPM H.C. OFFSET PORTS)
- 82166400 - 463/6.5 (1000 RPM H.C. INLINE PORTS)
- 72293300 - 463/6.5 W/THROUGH SHAFT (1000 RPM)

A310



PUMP - 463/1000 RPM W/MOUNTING
A310-HIN, 10:03:14

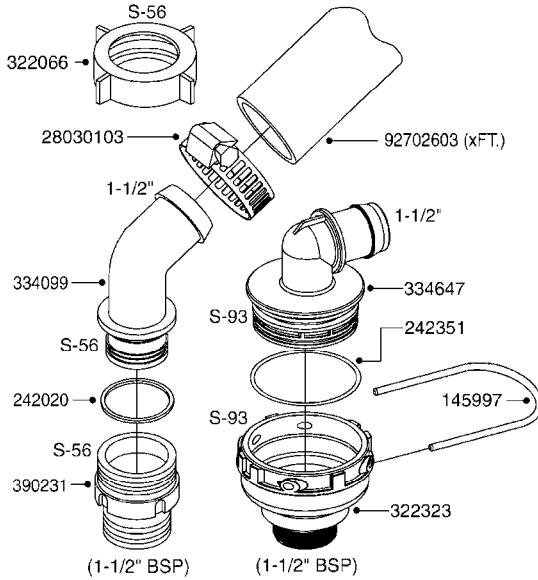
Page 1

Date 06.04.2015 11:25

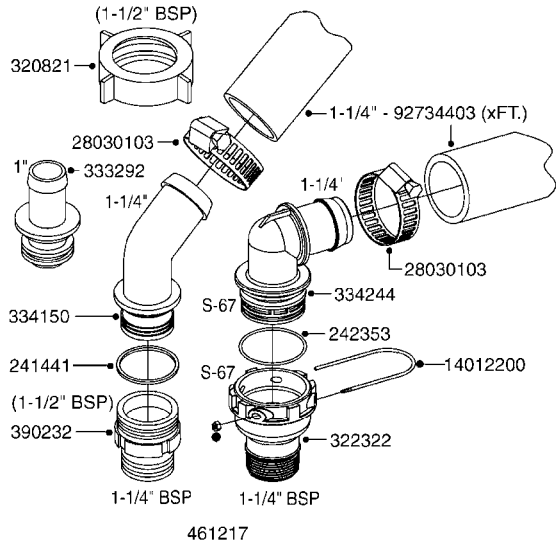
| parts-n° | order qty | description |
|----------|-----------|---------------------------------|
| 111183 | 1 | PUMP CASTING 460-463 (PAINTED) |
| 111547 | 1 | PUMP CASTING 460-463-2' (PAINT) |
| 111622 | 1 | CONNECTING ROD 463/5.5MM |
| 111638 | 1 | VALVE COVER 463 HC+1000 VERS. |
| 111645 | 1 | CONNECTING ROD 463/6.5MM |
| 147662 | 1 | CRANK SHAFT F.363/463-5.5MM |
| 147663 | 1 | CRANK SHAFT 363/463-5.5 THROUG |
| 147664 | 1 | COUNTERBALANCE 363/463 WEIGHT |
| 147706 | 1 | CRANK SHAFT F.363/463-6.5MM |
| 147707 | 1 | CRANK SHAFT 363/463-6.5 THROUG |
| 161012 | 1 | DIAPHRAGM BACKING DISC F. 463 |
| 161175 | 1 | DIAPHRAGM DISC F. 463 PUMP |
| 161745 | 1 | METAL SPACER F.363/463 |
| 170183 | 1 | LIFT STRAP F.PUMP 360/361/462 |
| 173901 | 1 | LIFT STRAP F.PUMP 463 |
| 210221 | 1 | BEARING BALL 6407 |
| 210232 | 1 | BEARING BALL 6310 |
| 210243 | 1 | SEAL OIL 35 X 47 X 7 |
| 241404 | 1 | DOWTYSEAL 1/4" |
| 242153 | 1 | O-RING D26X4 EPDM |
| 242216 | 1 | O-RING VITON F/1202/1302/462 |
| 280011 | 1 | GREASE NIPPLE 1/8' H TR |
| 330072 | 1 | O-RING D53.5/D45.5X4 |
| 334321 | 1 | O-RING POLY. 34.0x26.0x4.0 |
| 390844 | 1 | COUNTERBALANCE 363/463 POM |
| 420917 | 1 | BOLT HEX 8.8 RAW M8X12 FT |
| 421083 | 1 | BOLT HEX 8.8 DEL M10X65 |
| 430286 | 1 | BOLT HEX 8.8 DEL M12X30 FT |
| 430323 | 1 | BOLT HEX 8.8 DEL M12X60 |
| 430438 | 1 | BOLT HEX 8.8 DEL M12X65 |
| 450996 | 1 | BOLT ALLEN M8X35 DIN 912 RAW |
| 460703 | 1 | NUT HEX M12X1.75 LOCK DIN985 |
| 614628 | 1 | FOOT FOR PUMP 460-463 PAINTED |
| 821585 | 1 | PUMP 463/5.5 THRGH SHAFT 1000R |
| 821587 | 1 | PUMP 463/10 THROUGH SHAFT TWNF |
| 821649 | 1 | PUMP 463/12/540 OFFSET PORTS |
| 821650 | 1 | PUMP 463/6.5/1000 OFFSET PORTS |
| 14010400 | 1 | PLUG 1/4" BSP |
| 33511600 | 1 | DIAPHRAGM F. 463 PUMP POLY.'06 |
| 43099200 | 1 | BOLT HEX SS M12 X 30 DIN933 A4 |
| 72043600 | 1 | VALVE FOR 462/463 |
| 72043700 | 1 | VALVE FOR 462/463 W.VENT HOLE |
| 72293300 | 1 | PUMP 463/6.5 MED-2-1000-GG |
| 75073900 | 1 | PUMP KIT 463 "06" |
| 82166400 | 1 | PUMP 463/6.5 2"SUC 1000RPM |



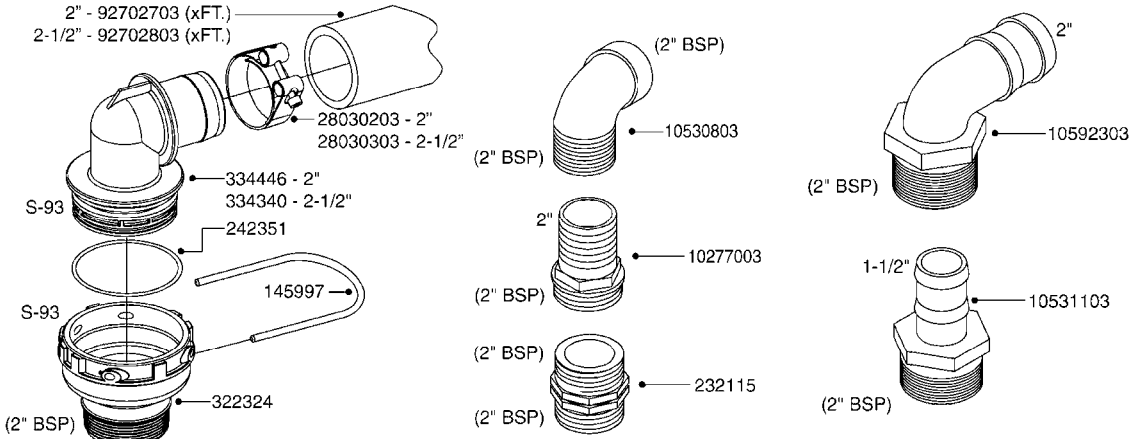
SUCTION SIDE OF PUMP (WITH 1-1/2" SUCTION PORT)



PRESSURE SIDE OF PUMP

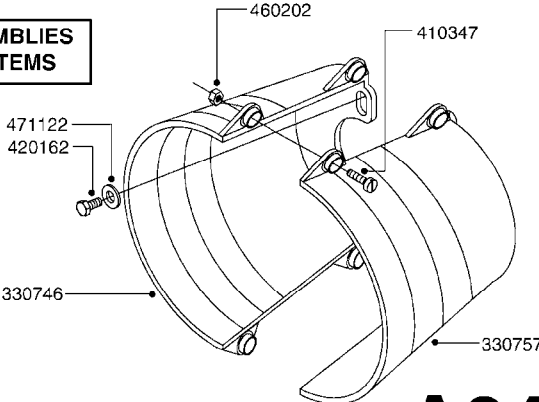


SUCTION SIDE OF PUMP (WITH 2" SUCTION PORT)



**COMPLETE ASSEMBLIES
WHOLEGOODS ITEMS**

- 821585 - 463/5.5 W/THROUGH SHAFT (1000 RPM)
- 821587 - 463/10 W/THROUGH SHAFT (540 RPM)
- 821649 - 463/12 (540 RPM H.C. OFFSET PORTS)
- 821650 - 463/6.5 (1000 RPM H.C. OFFSET PORTS)
- 82166400 - 463/6.5 (1000 RPM H.C. INLINE PORTS)
- 72293300 - 463/6.5 W/THROUGH SHAFT (1000 RPM)



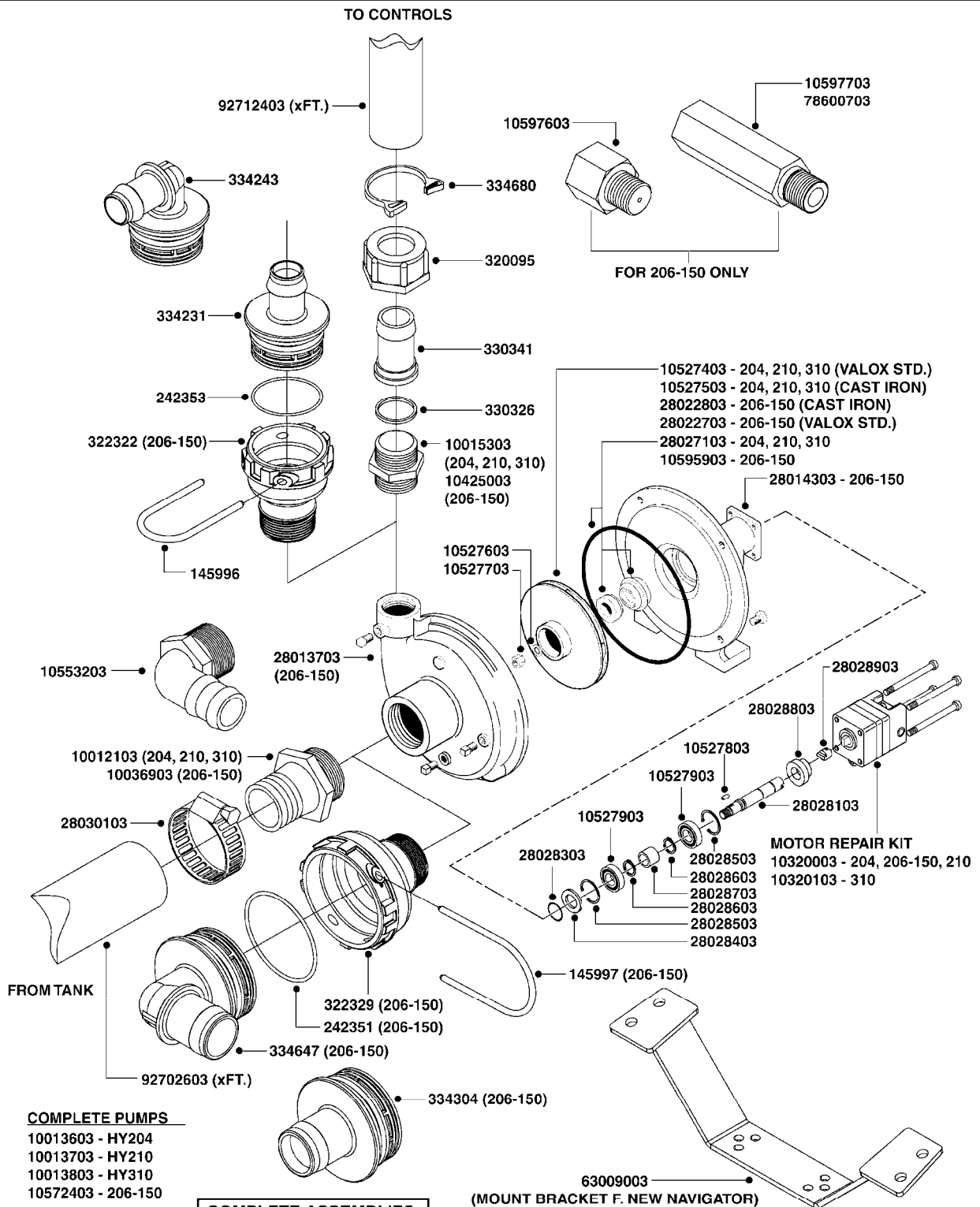
A340



PUMP - 460/462/463 FITTINGS
A340-HIN, 10:03:14

Page 1
Date 06.04.2015 11:25

| parts-n° | order qty | description |
|----------|-----------|--------------------------------|
| 145997 | 1 | FITT.DK S-93 FORK |
| 232115 | 1 | FITT HEX NIPPLE 2'-2' BSP |
| 241441 | 1 | O-RING D29.3X3 |
| 242020 | 1 | O-RING 39.2 X 3 VITON |
| 242351 | 1 | O-RING D69.5X3.0 VITON F.S-93 |
| 242353 | 1 | O-RING D44.2X3.0 VITON F.S-67 |
| 320821 | 1 | FITT.DK NUT 1-1/2" BSP |
| 322066 | 1 | FITT.DK S-56 NUT |
| 322322 | 1 | FITT.DK S-67 X 1-1/4"BSP MALE |
| 322323 | 1 | FITT.DK S-93 X 1-1/2"BSP MALE |
| 322324 | 1 | FITT.DK S-93 X 2"BSP MALE |
| 330746 | 1 | GUARD PTO LOWER PART SHORT |
| 330757 | 1 | GUARD PTO UPPER PART SHORT |
| 333292 | 1 | FITT.DK HB 1"O'RING F.1-1/2" |
| 334099 | 1 | FITT.DK S-61 ELB.1-1/2"110 DEG |
| 334150 | 1 | FITT.DK HB 1-1/4" 110 F.1-1/2" |
| 334244 | 1 | FITT.DK S-67 ELB.1-1/4" |
| 334340 | 1 | FITT.DK S-93 ELBOW 2.5" |
| 334446 | 1 | FITT.DK S-93 ELB.2" PVC |
| 334647 | 1 | FITT.DK S93 ELB 1-1/2" 90 PVC |
| 390231 | 1 | FITT.DK NIPPLE 1-1/2 X S56 |
| 390232 | 1 | FITT.DK HN 1-1/2' X 1-1/4' BSP |
| 410347 | 1 | SCREW M6X20 8.8 |
| 420162 | 1 | BOLT HEX 8.8 DEL 3/8"x15MM |
| 460202 | 1 | NUT HEX M6 |
| 461217 | 1 | NUT HEX M5 LOCK |
| 471122 | 1 | WASHER D20/D10.5X2 SS |
| 821585 | 1 | PUMP 463/5.5 THRGH SHAFT 1000R |
| 821587 | 1 | PUMP 463/10 THROUGH SHAFT TWNF |
| 821649 | 1 | PUMP 463/12/540 OFFSET PORTS |
| 821650 | 1 | PUMP 463/6.5/1000 OFFSET PORTS |
| 10277003 | 1 | FITT.PO.HB 2.00X2.00 MCPHEE |
| 10530803 | 1 | FITT.PO.SE 2.00X2.00 45 DEG. |
| 10531103 | 1 | FITT.PO.HB 2.00"NPT X 1.50"HOS |
| 10592303 | 1 | FITT.PO.HB 2.00X 2.00BSP 90DEG |
| 14012200 | 1 | FITT.DK S-67 FORK W/M5 THREADS |
| 28030103 | 1 | CLAMP HOSE GEAR P5/4-S1.5"6724 |
| 28030203 | 1 | CLAMP HOSE T-BOLT S2" 235-67 |
| 28030303 | 1 | CLAMP HOSE T-BOLT S2.5" 235-76 |
| 72293300 | 1 | PUMP 463/6.5 MED-2-1000-GG |
| 82166400 | 1 | PUMP 463/6.5 2"SUC 1000RPM |
| 92702603 | 1 | HOSE PVC SUCT GRAY 1-1/2" |
| 92702703 | 1 | HOSE PVC SUCT GRAY 2" |
| 92702803 | 1 | SUGE SLANGE PVC GRÅ 2-1/2" |
| 92734403 | 1 | HOSE R X5/4" X200PSI WP X0012" |



COMPLETE PUMPS

- 10013603 - HY204
- 10013703 - HY210
- 10013803 - HY310
- 10572403 - 206-150

**COMPLETE ASSEMBLIES
WHOLEGOODS ITEMS**

A430

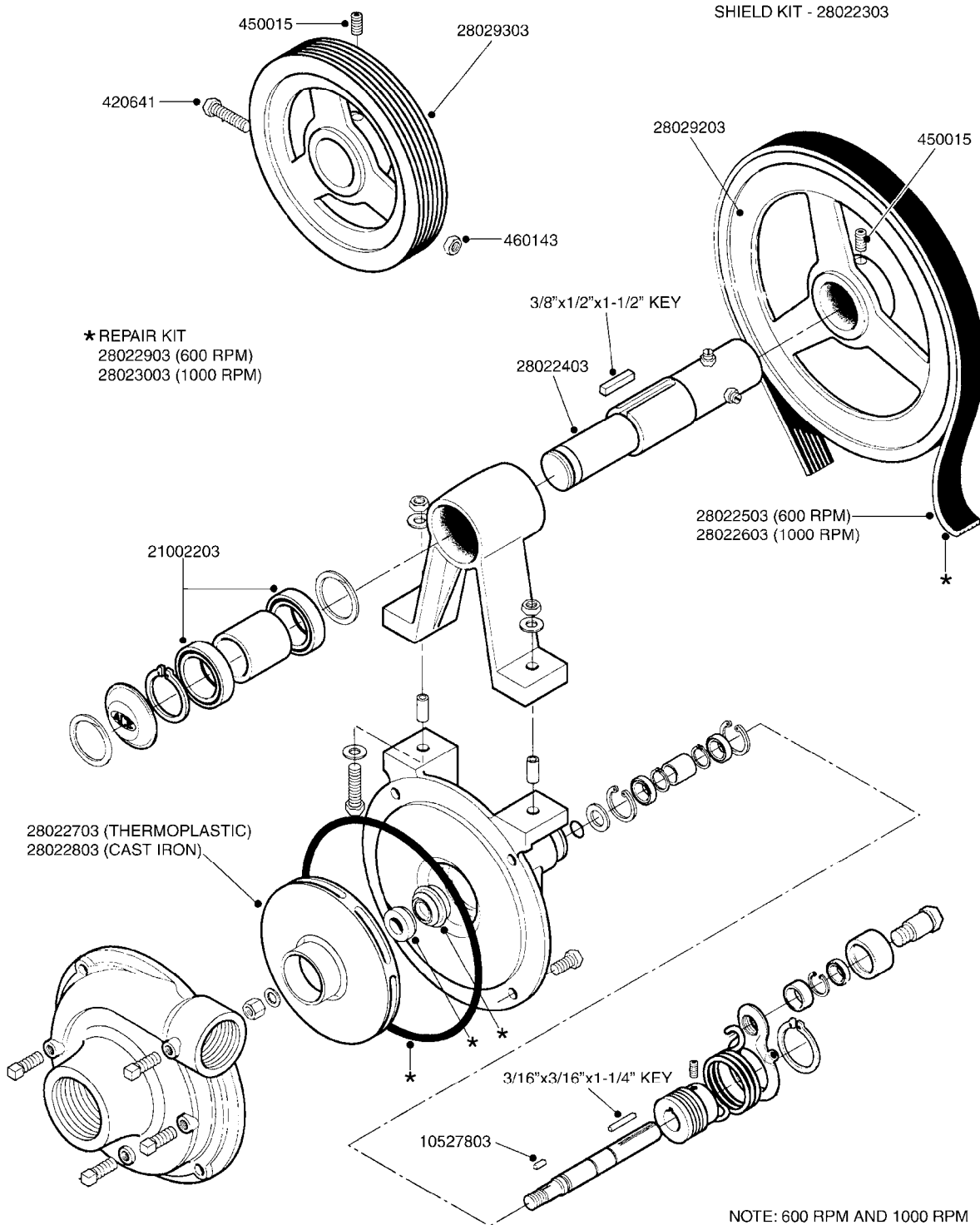


PUMP-204,206-150,210,310 ACE
A430-HIN, 14:06:12

Page 1

Date 06.04.2015 11:25

| parts-n° | order qty | description |
|----------|-----------|--------------------------------|
| 145996 | 1 | FITT.DK S-67 FORK |
| 145997 | 1 | FITT.DK S-93 FORK |
| 242351 | 1 | O-RING D69.5X3.0 VITON F.S-93 |
| 242353 | 1 | O-RING D44.2X3.0 VITON F.S-67 |
| 320095 | 1 | FITT.DK NUT 1" BSP |
| 322322 | 1 | FITT.DK S-67 X 1-1/4"BSP MALE |
| 322329 | 1 | FITT.DK S-93 X 1-1/2"BSP MALE2 |
| 330326 | 1 | O-RING D30/D24X2 F.1"NUT |
| 330341 | 1 | FITT.DK HB 1" F. 1" NUT |
| 334231 | 1 | FITT.DK S-67 STR.1' |
| 334243 | 1 | FITT.DK S-67 ELB.1" |
| 334304 | 1 | FITT.DK S-93 STR.1-1/2" PVC |
| 334647 | 1 | FITT.DK S93 ELB 1-1/2" 90 PVC |
| 334680 | 1 | CLAMP HOSE PLASTIC 1" |
| 10012103 | 1 | FITT.PO.HB 1.25X1.50 IMB1012 |
| 10013603 | 1 | PUMP ACE HY 204 |
| 10013703 | 1 | PUMP ACE HY 210 |
| 10013803 | 1 | PUMP ACE HY 310 |
| 10015303 | 1 | FITT.PO.HN 1.00X1.00 M1000 |
| 10036903 | 1 | FITT.PO.HB 1.50X1.50 IMB1212 |
| 10320003 | 1 | MOTOR REPAIRKIT ACE204,206,210 |
| 10320103 | 1 | MOTOR REPAIR KIT ACE 304,310 |
| 10425003 | 1 | FITT.PO.HN 1.25X1.00 MCPHEE |
| 10527403 | 1 | IMPELLER VALOX F.ACE PUMP |
| 10527503 | 1 | IMPELLER CASTIRON F.ACE PUMP |
| 10527603 | 1 | WASHER 3/8' F.ACE PUMP |
| 10527703 | 1 | NUT HEX NF 3/8 F.ACE PUMP |
| 10527803 | 1 | KEY 1/8x1/8x1/2'F.ACE PUMP |
| 10527903 | 1 | BEARING F.ACE PUMP (#40870) |
| 10553203 | 1 | FITT.PO.EL 1.5X1.5 HB BLACK |
| 10572403 | 1 | PUMP ACE HY 206 SERIES 150 |
| 10595903 | 1 | REPAIR KIT ACE 206-150 |
| 10597603 | 1 | ORIFACE RESTRICTOR F. ACE 206 |
| 10597703 | 1 | FITT, HYD FLOW FUSE ACE 206OLD |
| 28013703 | 1 | PUMP HOUSING FRONT ACE 206-150 |
| 28014303 | 1 | PUMP HOUSING W.FEET 206-150 |
| 28022703 | 1 | IMPELLER THERMOPLASTIC |
| 28022803 | 1 | IMPELLER CAST IRON |
| 28027103 | 1 | REPAIR KIT ACE 204,210,310 |
| 28028103 | 1 | SHAFT 5/8"DIA.1/2"KEYWAY SS |
| 28028303 | 1 | O-RING, SHAFT SEAL |
| 28028403 | 1 | SLINGER |
| 28028503 | 1 | SNAP RING - INTERNAL |
| 28028603 | 1 | SNAP RING - EXTERNAL |
| 28028703 | 1 | SPACER FOR SHAFT |
| 28028803 | 1 | SEAL SUPPORT SPACER 200 SERIES |
| 28028903 | 1 | COUPLING FOR HYDRAULIC MOTOR |
| 28030103 | 1 | CLAMP HOSE GEAR P5/4-S1.5"6724 |
| 63009003 | 1 | CENTRIFUGAL PUMP BRACKET |
| 78600703 | 1 | FITT, HYD FLOW FUSE ACE 206N |
| 92702603 | 1 | HOSE PVC SUCT GRAY 1-1/2" |
| 92712403 | 1 | HOSE R X1" X300PSI WP X0012" |



NOTE: 600 RPM AND 1000 RPM
PUMPS HAVE 1" INPUT SHAFT

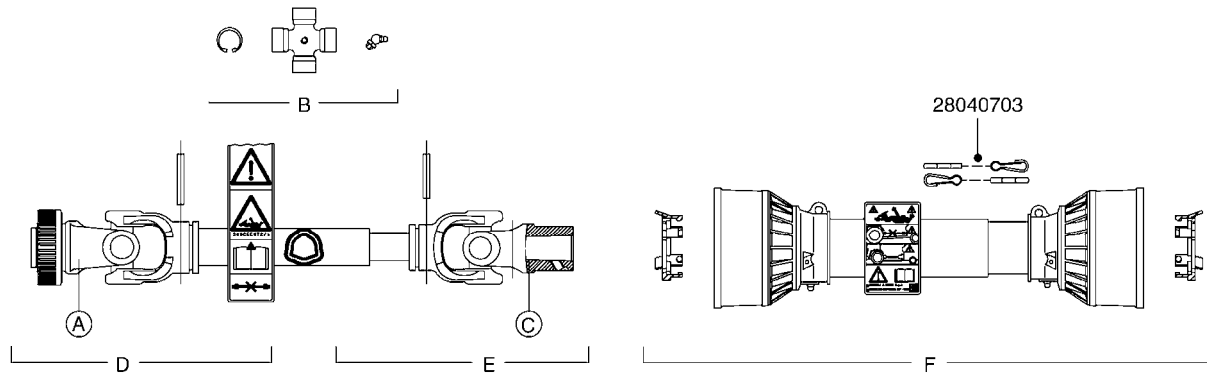
A431



PUMP - ACE 150 BELT DRIVE
A431-HIN, 20:01:14

Page 1
Date 06.04.2015 11:25

| parts-n° | order qty | description |
|----------|-----------|--------------------------------|
| 420641 | 1 | BOLT HEX 8.8 DEL M8X35 |
| 450015 | 1 | SCREW ALLAN 3/8'X5/8' BLACK |
| 460143 | 1 | NUT HEX M8 LOCK A2 DIN985 |
| 10527803 | 1 | KEY 1/8x1/8x1/2'F.ACE PUMP |
| 21002203 | 1 | BEARING, SEALED ACE BELT DRIVE |
| 28022303 | 1 | SHIELD KIT |
| 28022403 | 1 | OUTPUT SHAFT ACE BELT DR PUMP |
| 28022503 | 1 | BELT 600 RPM ACE PUMP |
| 28022603 | 1 | BELT 1000 RPM ACE PUMP |
| 28022703 | 1 | IMPELLER THERMOPLASTIC |
| 28022803 | 1 | IMPELLER CAST IRON |
| 28022903 | 1 | REPAIR KIT 600 RPM |
| 28023003 | 1 | REPAIR KIT 1000 RPM |
| 28029203 | 1 | 11.6"P.D.X2"BORE PULLEY 600RPM |
| 28029303 | 1 | 7.9"P.D.X2"BORE PULLEY 1000RPM |



| PTO | TRACTOR | IMPLEMENT | LENGTH | A | B | C | D | E | F |
|----------|---------------------|---------------------|-----------|----------|----------|----------|----------|----------|----------|
| 28020203 | 1-3/4" 20-SPLINE | 1-3/8" 21-SPLINE | 860/1313 | 28015703 | 28009403 | 28040603 | 28015803 | 28015903 | 28016003 |
| 28020303 | 1-3/8" 21-SPLINE | 1-3/8" 21-SPLINE | 860/1328 | 28015103 | 28015203 | 28015303 | 28015403 | 28015503 | 28015603 |
| 829445 | 1-3/8" 6-SPLINE | 1-3/8" 6-SPLINE | 810/1219 | 284041 | 289045 | 289041 | 28016703 | 28016803 | 289050 |
| 829446 | 1-3/8" 6-SPLINE | 1-3/8" 6-SPLINE | 810/1230 | 289040 | 284041 | 289040 | 28016203 | 28016303 | 289049 |
| 829480 | 1-3/8" 21-SPLINE | 1-3/8" 21-SPLINE | 1210/1912 | 28005200 | 289042 | 28005800 | 28006700 | 28007300 | 28008100 |
| 829482 * | 1-3/8" 6-SPLINE | Ø25 CONE 3 | 610/912 | 28005400 | 289042 | 28006000 | 28008500 | 28007500 | 28008600 |
| 829483 * | 1-3/8" 6-SPLINE | Ø30 CONE 4 | 610/912 | 28005400 | 289042 | 28006100 | 28008500 | - | 28008600 |
| 829484 * | 1-3/8" 6-SPLINE | 1-3/8" 6-SPLINE | 610/912 | 28005400 | 289042 | 28006200 | 28008500 | - | 28008600 |
| 829486 | 1-3/8" 6-SPLINE | Ø30 CONE 4 | 860/1328 | 28005400 | 289042 | 28006100 | 28006900 | - | 28008100 |
| 829487 * | 1-3/8" 6-SPLINE | 1-3/8" 6-SPLINE | 860/1328 | 28005400 | 289042 | 28006200 | 28006900 | - | 28008100 |
| 829490 | 1-3/8" 6-SPLINE | Ø30 CONE 4 | 1210/1912 | 28005400 | 289042 | 28006100 | 28006900 | - | 28008100 |
| 829491 | 1-3/8" 6-SPLINE | Ø1" | 610/912 | 28005400 | 289042 | 28006300 | 28008500 | 28007800 | 28008600 |
| 829502 * | 1-3/8" 6-SPLINE | 1-3/8" 6-SPLINE | 1210/1912 | 28068800 | 28069700 | 28073000 | - | - | 28072800 |

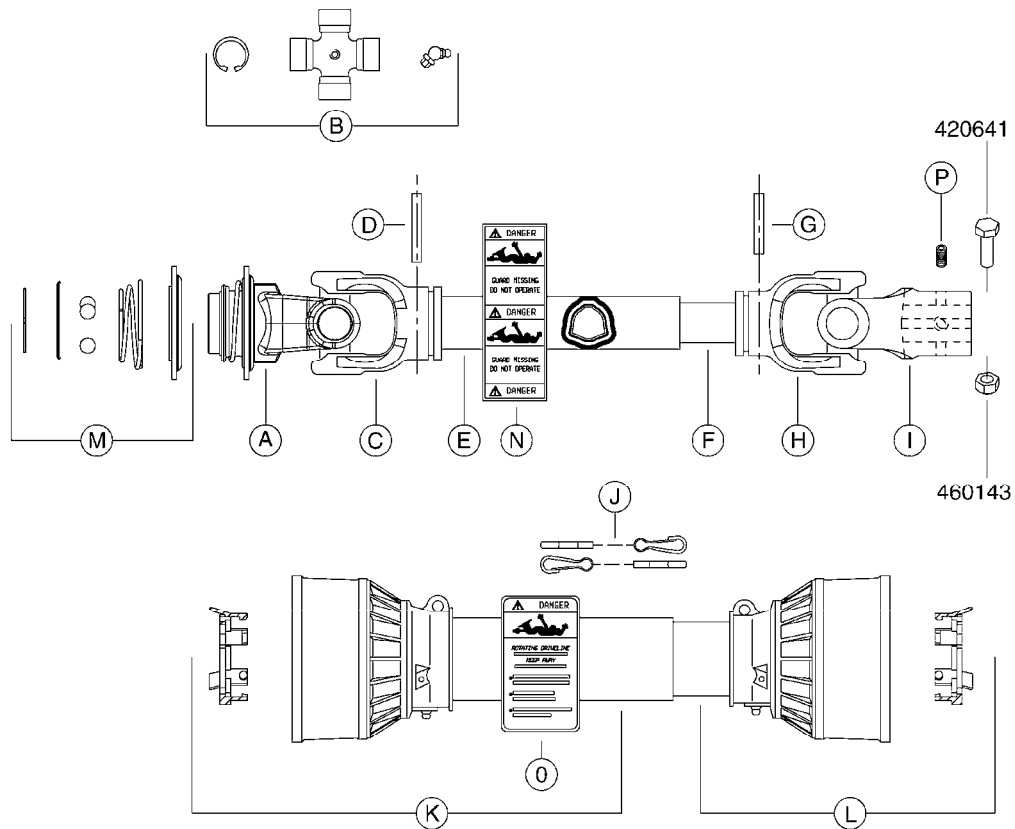
* Supplier changed in 2011 - see page A560 for "AMA" PTO's (yellow and black shields).

A480



PTO SHAFTS - BONDIOLI DIAPH.
A480-HIN, 13:12:11

| parts-n° | order qty | description |
|----------|-----------|---------------------------------|
| 284041 | 1 | UNIV. JOINT 27x70mm |
| 289040 | 1 | PTO YOKE 1-3/8" X 6 SPLINE |
| 289041 | 1 | PTO YOKE 1-3/8" X 6 SPLINE |
| 289042 | 1 | UNIV. JOINT 22x54mm |
| 289045 | 1 | UNIV. JOINT 30.2x79.4mm |
| 289049 | 1 | PTO SHIELD COMPLETE F.829446 |
| 289050 | 1 | PTO SHIELD COMPLETE F.829445 |
| 829445 | 1 | PTO 1-3/8/6X1-3/8/6X810M AXIAL |
| 829446 | 1 | PTO SHAFT LE-SPV + LP ZE-P540 |
| 829480 | 1 | PTO 1-3/8/21 x 1-3/8/21x1210MM |
| 829482 | 1 | PTO 1-3/8/6X25MM X 600MM 1202 |
| 829483 | 1 | PTO 1-3/8/6X30MM x 610MM 1302 |
| 829484 | 1 | PTO 1-3/8/6X1-3/8/6X575MM 361 |
| 829486 | 1 | PTO 1-3/8/6X30MM X870MM 1302 |
| 829487 | 1 | PTO 1-3/8/6X1-3/8/6X870MM 361 |
| 829490 | 1 | PTO 1-3/8/6X30MM 1320MM 1302 |
| 829491 | 1 | PTO 1-3/8/6X1' 610/913MM 9016 |
| 829502 | 1 | PTO 1-3/8/6x1210/1745 |
| 28005200 | 1 | PTO YOKE 1-3/8" X 21 SPLINE |
| 28005400 | 1 | PTO YOKE 1-3/8" X 6 SPLINE |
| 28005800 | 1 | PTO YOKE 1-3/8" X 21 SPLINE |
| 28006000 | 1 | PTO YOKE D25 CONE 3 DEG. |
| 28006100 | 1 | PTO YOKE D30 CONE 4 DEG. |
| 28006200 | 1 | PTO YOKE 1-3/8" X 6 SPLINE |
| 28006300 | 1 | PTO YOKE D1" |
| 28006700 | 1 | PTO HALF SHAFT - TRACTOR END |
| 28006900 | 1 | PTO HALF SHAFT - TRACTOR END |
| 28007300 | 1 | PTO INNER D1" (NO SHIELD) |
| 28007500 | 1 | PTO INNER D1" (NO SHIELD) |
| 28007800 | 1 | PTO INNER D1" (NO SHIELD) |
| 28008100 | 1 | PTO SHIELD COMPLETE |
| 28008500 | 1 | PTO HALF SHAFT - TRACTOR END |
| 28008600 | 1 | PTO SHIELD ASSY COMPLETE |
| 28009403 | 1 | UNIV. JOINT 27x74.6mm |
| 28015103 | 1 | PTO YOKE 1-3/8"X21 TWST OLD |
| 28015203 | 1 | UNIV. JOINT 23.8x61.3mm |
| 28015303 | 1 | PTO YOKE 1-3/8"X21 BALL COLLAR |
| 28015403 | 1 | PTO OUTER 1-3/8"X21 (NO SHIELD) |
| 28015503 | 1 | PTO INNER 1-3/8"X21 (NO SHIELD) |
| 28015603 | 1 | PTO SHIELD COMPLETE F.28020303 |
| 28015703 | 1 | PTO YOKE 1-3/4"X20 SPL OUTER |
| 28015803 | 1 | PTO OUTER 1-3/4"X20 (NO SHIELD) |
| 28015903 | 1 | PTO INNER 1-3/8"X21 (NO SHIELD) |
| 28016003 | 1 | PTO SHIELD COMPLETE F.10465803 |
| 28016203 | 1 | PTO OUTER 1-3/8"X6 (SHIELDED) |
| 28016303 | 1 | PTO INNER 1-3/8"X6 (NO SHIELD) |
| 28016703 | 1 | PTO OUTER 1-3/8"X6 (NO SHIELD) |
| 28016803 | 1 | PTO INNER 1-3/8"X6 (NO SHIELD) |
| 28020203 | 1 | PTO 1-3/4/20x1-3/8/21 BP L=860 |
| 28020303 | 1 | PTO 1-3/8/21 x 1-3/8/21 B&P |
| 28040603 | 1 | PTO YOKE 1-3/8X21SPL BLACK |
| 28040703 | 1 | SAFETY CHAIN F.CV BLACK PTO |
| 28068800 | 1 | PTO YOKE 1-3/8" X 6 SPLINE |
| 28069700 | 1 | UNIV. JOINT STD1 SFT |
| 28072800 | 1 | PTO SHIELD COMPLETE L=1912 SFT |
| 28073000 | 1 | PTO YOKE 1-3/8" X 6 SPLINE |



**COMPLETE ASSEMBLIES
WHOLEGOOD ITEMS**

| PTO # | 28021403 | 28021503 | 28021603 |
|-----------|-----------------|------------------|------------------|
| TRACTOR | 1-3/8" 6 SPLINE | 1-3/8" 21 SPLINE | 1-3/4" 20 SPLINE |
| IMPLEMENT | D1" | D1" | D1" |
| LENGTH | 1031/1501 | 1031/1499 | 1066/1519 |
| A | 28056703 | 28056803 | 28056903 |
| B | 289042 | 289042 | 28040503 |
| C | 28057003 | 28057003 | 28057103 |
| D | 28057203 | 28057203 | 28009803 |
| E | 28057303 | 28057303 | 28057403 |
| F | 28057503 | 28057503 | 28057603 |
| G | 28057703 | 28057703 | 28009903 |
| H | 28058503 | 28058503 | 28010103 |
| I | 28057803 | 28057803 | 28057903 |
| J | 28040703 | 28040703 | 28040703 |
| K | 28058003 | 28058003 | 28058103 |
| L | 28058203 | 28058203 | 28058303 |
| M | 28027903 | 28027903 | 28058403 |
| N | 28041803 | 28041803 | 28041803 |
| O | 28041903 | 28041903 | 28041903 |
| P | 450015 | 450015 | 450015 |

A485

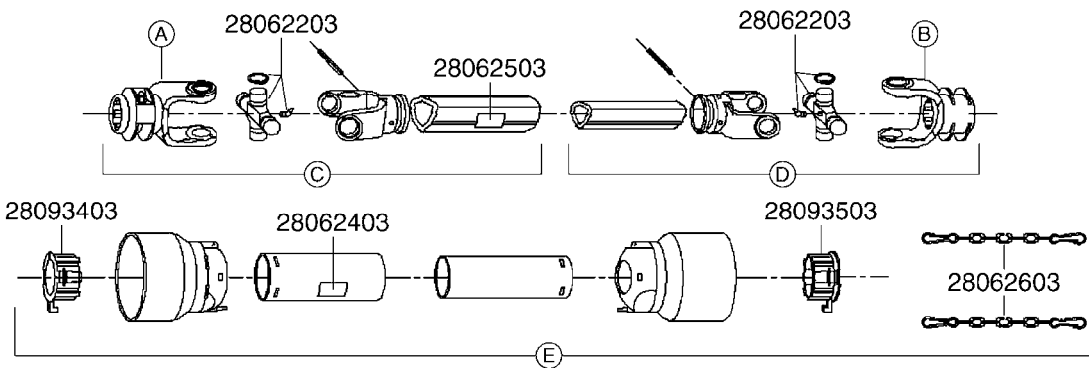


PTO SHAFTS - BONDIOLI CENT.
A485-HIN, 20:01:14

Page 1

Date 06.04.2015 11:25

| parts-n° | order qty | description |
|----------|-----------|--------------------------------|
| 289042 | 1 | UNIV. JOINT 22x54mm |
| 420641 | 1 | BOLT HEX 8.8 DEL M8X35 |
| 450015 | 1 | SCREW ALLAN 3/8'X5/8' BLACK |
| 460143 | 1 | NUT HEX M8 LOCK A2 DIN985 |
| 28009803 | 1 | PTO PIN TUBE RETAINER OUTER |
| 28009903 | 1 | PTO TUBE RETAINER INNER |
| 28010103 | 1 | PTO YOKE F.INNER TUBE CV PTO |
| 28021403 | 1 | PTO 1"STR/1-3/8" 6SPL B&P |
| 28021503 | 1 | PTO 1"STR/1-3/8" 21SPL B&P |
| 28021603 | 1 | PTO 1"STR/1-3/4" 20SPL B&P |
| 28027903 | 1 | PTO BALL LOCK.KIT F.1-3/8 YOKE |
| 28040503 | 1 | UNIV. JOINT 27x74.6mm |
| 28040703 | 1 | SAFETY CHAIN F.CV BLACK PTO |
| 28041803 | 1 | DECAL DANGER GUARD MISSING |
| 28041903 | 1 | DECAL DANGER ROT.DRIVELINE |
| 28056703 | 1 | PTO YOKE #1 1-3/8" X 6 SPLINE |
| 28056803 | 1 | PTO YOKE #1 1-3/8" X 21 SPLINE |
| 28056903 | 1 | PTO YOKE #4 1-3/8" X 20 SPLINE |
| 28057003 | 1 | PTO TUBE YOKE #1-G1 OUTER |
| 28057103 | 1 | PTO TUBE YOKE #4-G4 OUTER |
| 28057203 | 1 | PTO PIN TUBE RETAINER OUTER |
| 28057303 | 1 | PTO TUBE OUTER #1 745MM |
| 28057403 | 1 | PTO TUBE OUTER #4 720MM |
| 28057503 | 1 | PTO TUBE INNER #1 745MM |
| 28057603 | 1 | PTO TUBE INNER #4 720MM |
| 28057703 | 1 | PTO TUBE RETAINER INNER |
| 28057803 | 1 | PTO TUBE YOKE #1 Ø=1" |
| 28057903 | 1 | PTO TUBE YOKE #4 Ø=1" |
| 28058003 | 1 | PTO HALF SAFETY SHIELD OUTER |
| 28058103 | 1 | PTO HALF SAFETY SHIELD OUTER |
| 28058203 | 1 | PTO HALF SAFETY SHIELD INNER |
| 28058303 | 1 | PTO HALF SAFETY SHIELD INNER |
| 28058403 | 1 | PTO BALL LOCK.KIT F.1-3/4 YOKE |
| 28058503 | 1 | PTO TUBE YOKE #1-G1 INNER |



| PTO # | 829482 | 829483 | 829484 | 829487 |
|-----------|-----------------|-----------------|-----------------|-----------------|
| TRACTOR | 1-3/8" 6 SPLINE | 1-3/8" 6 SPLINE | 1-3/8" 6 SPLINE | 1-3/8" 6 SPLINE |
| IMPLEMENT | 25 mm | 30 mm | 1-3/8" 6 SPLINE | 1-3/8" 6 SPLINE |
| LENGTH | 610/800 | 610/800 | 610/800 | 860/1050 |
| A | 28062103 | 28062103 | 28062103 | 28062103 |
| B | 28062303 | 28063003 | 28062103 | 28062103 |
| C | 28062703 | 28062703 | 28062703 | 28063403 |
| D | 28062803 | 28063103 | 28063203 | 28063503 |
| E | 28062903 | 28062903 | 28062903 | 28063303 |

Note: For "Bondioli" PTO's (previous supplier) - see page A480.

COMPLETE ASSEMBLIES
WHOLEGOOD ITEMS

A560

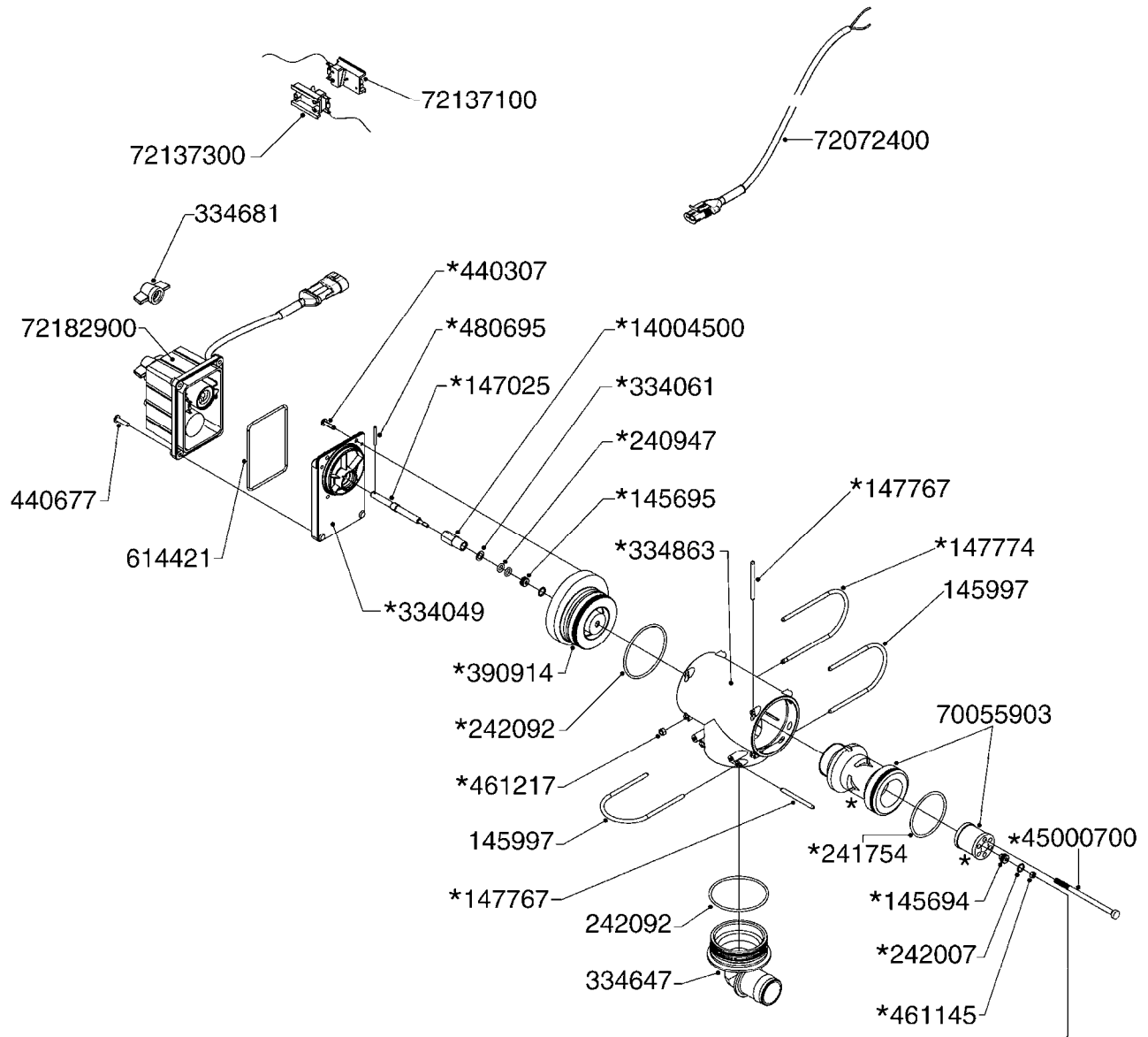


PTO SHAFTS - AMA DIAPHRAGM
A560-HIN, 07:01:15

Page 1

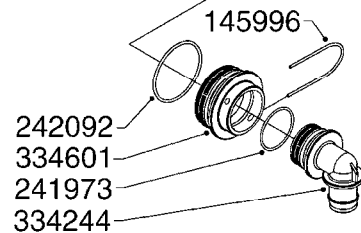
Date 06.04.2015 11:25

| parts-n° | order qty | description |
|----------|-----------|-------------------------------|
| 829482 | 1 | PTO 1-3/8/6X25MM X 600MM 1202 |
| 829483 | 1 | PTO 1-3/8/6X30MM x 610MM 1302 |
| 829484 | 1 | PTO 1-3/8/6X1-3/8/6X575MM 361 |
| 829487 | 1 | PTO 1-3/8/6X1-3/8/6X870MM 361 |
| 28062103 | 1 | PTO YOKE 1-3/8X6 AMA |
| 28062203 | 1 | UNIV.JOINT CAT.1 AMA |
| 28062303 | 1 | PTO YOKE D25 AMA |
| 28062403 | 1 | DECAL - DANGER ROTATING SHAFT |
| 28062503 | 1 | DECAL - DANGER MISSING GUARD |
| 28062603 | 1 | SAFETY CHAIN F.PTO AMA |
| 28062703 | 1 | PTO OUTER 1-3/8X6 (NO SHIELD) |
| 28062803 | 1 | PTO INNER D25 (NO SHIELD) |
| 28062903 | 1 | PTO SHIELD COMPLETE |
| 28063003 | 1 | PTO YOKE D30 AMA |
| 28063103 | 1 | PTO INNER D30 (NO SHIELD) |
| 28063203 | 1 | PTO INNER 1-3/8X6 (NO SHIELD) |
| 28063303 | 1 | PTO SHIELD COMPLETE |
| 28063403 | 1 | PTO OUTER 1-3/8X6 (NO SHIELD) |
| 28063503 | 1 | PTO INNER 1-3/8X6 (NO SHIELD) |
| 28093403 | 1 | PTO OUTER TUBE BEARING AMA |
| 28093503 | 1 | PTO INNER TUBE BEARING AMA |



REGULATOR VALVE ASSEMBLY: *72027300

COMPLETE ASSEMBLIES
WHOLEGOODS ITEMS



B251



PRESSURE REGULATOR - S93
B251-HIN, 12:12:05

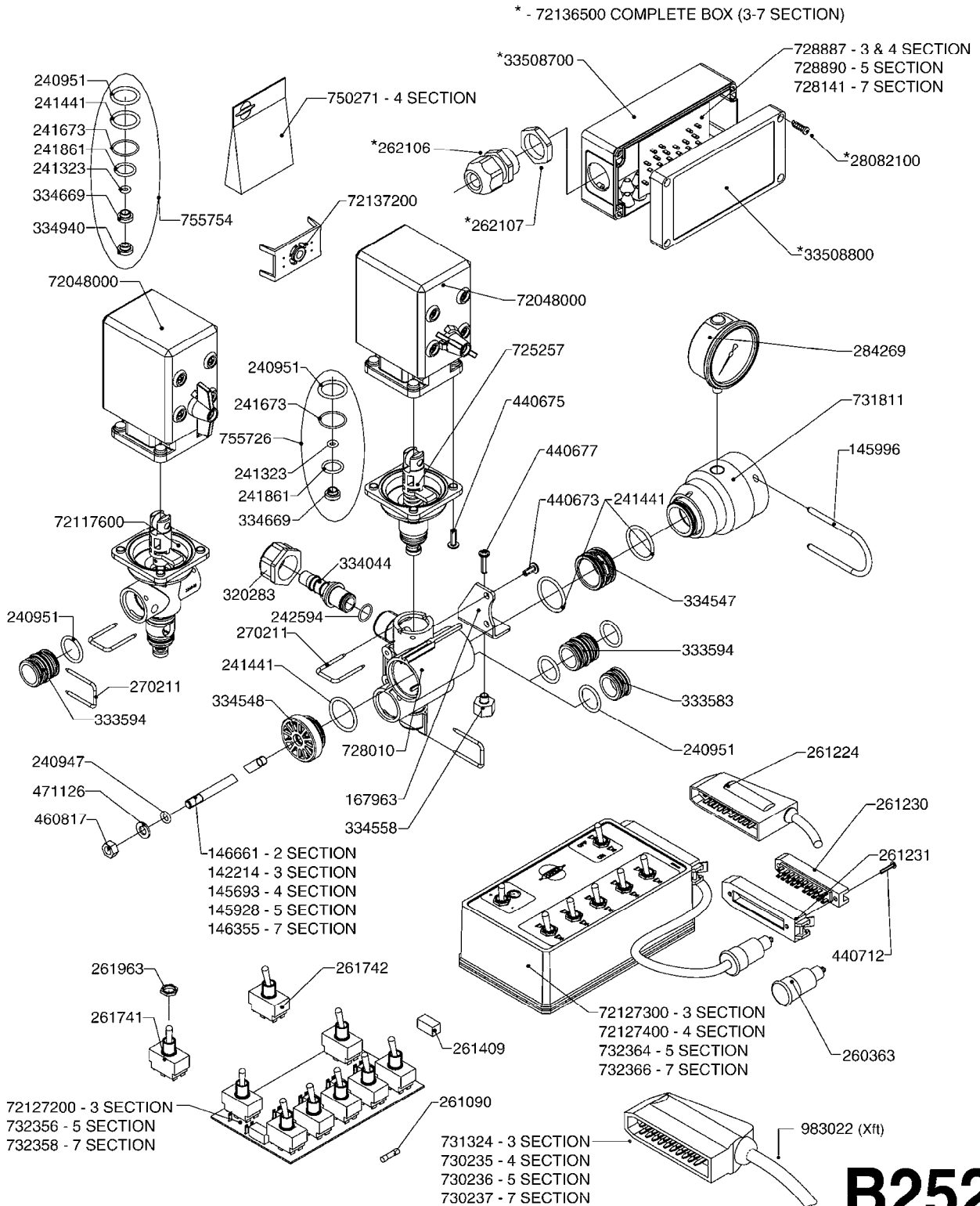
Page 1

Date 06.04.2015 11:25

| parts-n° | order qty | description |
|----------|-----------|--------------------------------|
| 145694 | 1 | BUSHING CONE SPACER S93 REGU. |
| 145695 | 1 | GUIDE FOR CONE |
| 145996 | 1 | FITT.DK S-67 FORK |
| 145997 | 1 | FITT.DK S-93 FORK |
| 147025 | 1 | SPINDLE F.S93 PRES. REGULATOR |
| 147767 | 1 | PIN 5Ø X 60 S-93 DOUBLE CLAMP |
| 147774 | 1 | FITT.DK S-93 FORK W. M5 THREAD |
| 240947 | 1 | O-RING D7.3X2.4 NITRIL |
| 241754 | 1 | O-RING D59.5X3 |
| 241973 | 1 | O-RING 44.2 x 3.0 (use-242353) |
| 242007 | 1 | O-RING D9.1X1.6 |
| 242092 | 1 | O-RING D69.5X3 (Use-242351) |
| 334049 | 1 | BRACKET FOR ENGINE CASING |
| 334061 | 1 | WASHER PLASTIC Ø13.0/8.1 X 1TK |
| 334244 | 1 | FITT.DK S-67 ELB.1-1/4" |
| 334601 | 1 | FITT.DK S-93 TO S67 ADAPTOR |
| 334647 | 1 | FITT.DK S93 ELB 1-1/2" 90 PVC |
| 334681 | 1 | GRIP F.MAN.OP.EC PRES.REG.YELL |
| 334863 | 1 | T PIECE S 93 15 BAR |
| 390914 | 1 | COVER REG VALVE S93 |
| 440307 | 1 | SCREW SHEET-METAL 3/4" NO. 10 |
| 440677 | 1 | SCREW F. PLASTIC 5X20 SS |
| 461145 | 1 | NUT HEX M4 LOCK |
| 461217 | 1 | NUT HEX M5 LOCK |
| 480695 | 1 | PIN ROLL D 3X28 SLOTTED |
| 614421 | 1 | GASKET F/MOTOR HOUSE-ON/OFF TR |
| 14004500 | 1 | NUT M10 SS F. S93 PRES. REG. |
| 45000700 | 1 | BOLT ALLEN HEAD M6 X 100 SS |
| 70055903 | 1 | REGUL SPOOL AND SLEEVE S93 |
| 72027300 | 1 | REG.VALVE S93/600 15B U.MOTER |
| 72072400 | 1 | WIRE CONTR. VALVE.CM+ AMP-PLUG |
| 72137100 | 1 | MCROSWCH ASSY F.PRSR REG WHT W |
| 72137300 | 1 | MCROSWCH ASSY F.PRSR REG BRN W |
| 72182900 | 1 | MOTER REG.DME37 1:150 AMP YELL |



EVC, ECP, ECPC CONTROLS
B252-HIN, 02:11:10



B252



| parts-n° | order qty | description |
|----------|-----------|--------------------------------|
| 142214 | 1 | STUD BOLT - M8X265, 3 SECTION |
| 145693 | 1 | STUD BOLT - M8X330, 4 SECTION |
| 145928 | 1 | STUD BOLT - M8X400, 5 SECTION |
| 145996 | 1 | FITT.DK S-67 FORK |
| 146355 | 1 | STUD BOLT - M8X540, 7 SECTION |
| 146661 | 1 | STUD BOLT M8 X 195 |
| 167963 | 1 | MOUNT BKT.F.EC BOOM SEC. |
| 240947 | 1 | O-RING D7.3X2.4 NITRIL |
| 240951 | 1 | O-RING D21.2X3 NITRIL |
| 241323 | 1 | O-RING D5.3X2.4 NITRIL |
| 241441 | 1 | O-RING D29.3X3 |
| 241673 | 1 | O-RING D22.1X1.6 |
| 241861 | 1 | O-RING D15.3X2.4 VITON |
| 242594 | 1 | O-RING D14 X 1.78 SCH.70-EPDM |
| 260363 | 1 | PLUG 2 POLE 12V |
| 261090 | 1 | FUSE 5 X 20 6.3A, 250V |
| 261224 | 1 | PLUG HOUSING F/20 POLE MALE |
| 261230 | 1 | PLUG INSERT 20 POLE FEMALE |
| 261231 | 1 | PLUG HOUSING 20 POLE FEMALE |
| 261409 | 1 | RELAY 12V F. ESC CNTRL BOX '96 |
| 261741 | 1 | SWITCH 2 POLE 12V TOGGLE PRESS |
| 261742 | 1 | SWITCH 2 POLE 12V ON/OFF |
| 261963 | 1 | NUT F.EC SWITCH |
| 262106 | 1 | BULKHEAD F. CABLE 6.5-14 BLACK |
| 262107 | 1 | NUT F. BULKHEAD CABLE BLACK |
| 270211 | 1 | FITT.DK S25 FORK L=37.5 |
| 284269 | 1 | GAUGE 2.5'BR BOTT.BAR16 |
| 320283 | 1 | FITT.DK NUT 3/4"BSP |
| 333583 | 1 | END PIECE FOR BYPASS |
| 333594 | 1 | CONNECTING PIECE F. BYPASS |
| 334044 | 1 | FITT.DK HB 3/4' F. 3/4' CAP |
| 334547 | 1 | CONNECTING PIECE F. PRESSURE |
| 334548 | 1 | END COVER |
| 334558 | 1 | NUT HEX PLASTIC INSERT |
| 334669 | 1 | VALVE CONE D14/D7-SH 63 WHITE |
| 334940 | 1 | VALVE CONE D14/D6-SH 63 GREEN |
| 440673 | 1 | SCREW F.PLASTIC 5X12 SS |
| 440675 | 1 | SCREW F. PLASTIC 5X16 SS |
| 440677 | 1 | SCREW F. PLASTIC 5X20 SS |
| 440712 | 1 | SCREW 30X16 STAINLESS |
| 460817 | 1 | NUT HEX M8 STAINLESS DIN 934 |
| 471126 | 1 | WASHER D16/D8.4X1.6 SS |
| 725257 | 1 | SPINDLE SECT. F/EC DISTRIBUTOR |
| 728010 | 1 | DISTRIB HOUSING W/CONST PR GRN |
| 728141 | 1 | CIRCUIT BOARD F.EC7 CONN. BOX |
| 728887 | 1 | CIRCUIT BOARD EC CONTROL |
| 728890 | 1 | CIRCUIT BOARD 5 SECTION EC |
| 730235 | 1 | CABLE F.CONTRL BOX EC4 L=11500 |
| 730236 | 1 | CABLE F.CONTRL BOX EC5 L=11500 |
| 730237 | 1 | CABLE EC7 L=11500MM |
| 731324 | 1 | CABLE F.CONTRL BOX EC3 L=11500 |
| 731811 | 1 | FITT.DK ADAPTOR S67 EC BOOM SE |
| 732356 | 1 | PRINT BOARD EVC ESC 5 SECTION |
| 732358 | 1 | PRINT BOARD EVC ESC 7 SECTION |
| 732364 | 1 | CONTROL BOX ESC/EVC 5 SEC.CM+ |
| 732366 | 1 | CONTROL BOX ESC/EVC 7 SEC.CM+ |
| 750271 | 1 | O-RING KIT F.EC/4 CONTROL UNIT |
| 755726 | 1 | O-RING KIT F.EC/ESC SEC.VALVE |
| 755754 | 1 | GASKET SET EVC DIST |
| 983022 | 1 | WIRE 12 x 0.5 x 2MM x 12" |
| 28082100 | 1 | SCREW F. BOX LID 1/4" L=20 |

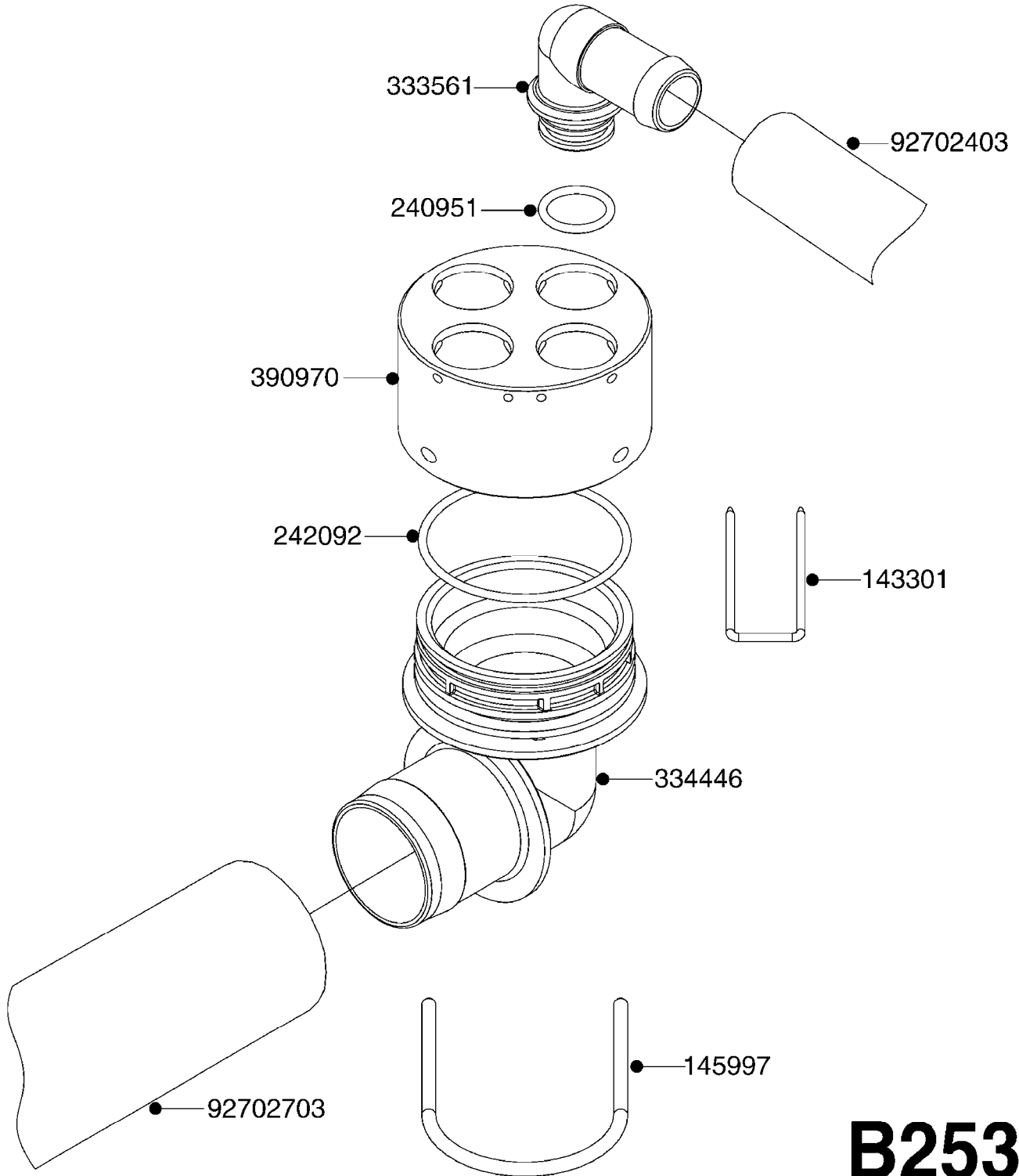


EVC, ECP, ECPC CONTROLS
B252-HIN, 02:11:10

Page 2

Date 06.04.2015 11:25

| parts-n° | order qty | description |
|----------|-----------|--------------------------------|
| 33508700 | 1 | BOX 160X80X40 BLACK 1-HOLE |
| 33508800 | 1 | LID 160X80X15 BLK W/SCREWS |
| 72048000 | 1 | MOTOR, DISTRIBUTION 1:300 |
| 72117600 | 1 | SPINDLE EVC DIST |
| 72127200 | 1 | CIRCUIT B.ESC3 PLAST.W/SWITCH |
| 72127300 | 1 | CONTROL BOX ESC 3 SEC./20 PIN |
| 72127400 | 1 | CONTROL BOX ESC 4 SEC./20 PIN |
| 72136500 | 1 | UNIV. CONNECTION BOX F. EC |
| 72137200 | 1 | MCROSWCH ASSY F.BOOM VLV 300:1 |



B253



EC RETURN MANIFOLD
B253-HIN, 18:12:10

Page 1

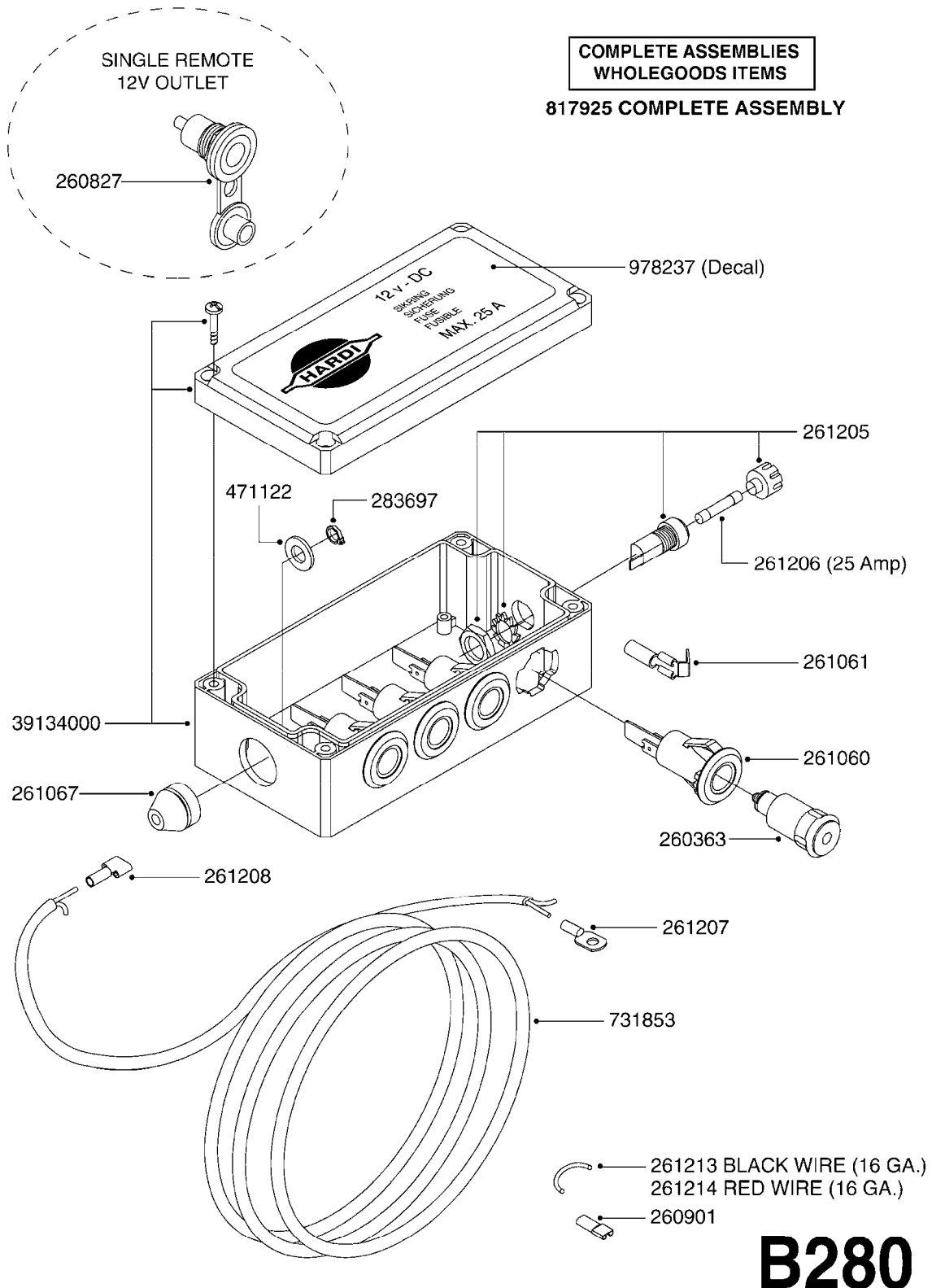
Date 06.04.2015 11:25

| parts-n° | order qty | description |
|----------|-----------|-----------------------------|
| 143301 | 1 | LOCK CLAMP 78 MM |
| 145997 | 1 | FITT.DK S-93 FORK |
| 240951 | 1 | O-RING D21.2X3 NITRIL |
| 242092 | 1 | O-RING D69.5X3 (Use-242351) |
| 333561 | 1 | FITT.DK ELB.1" EC RETURN |
| 334446 | 1 | FITT.DK S-93 ELB.2" PVC |
| 390970 | 1 | DISTRIBUTOR S93 4XD27 |
| 92702403 | 1 | HOSE PVC SUCT GRAY 1" |
| 92702703 | 1 | HOSE PVC SUCT GRAY 2" |



12 VOLT OUTLET BOX
B280-HIN, 30:05:13

Page 0
Date 06.04.2015 11:25



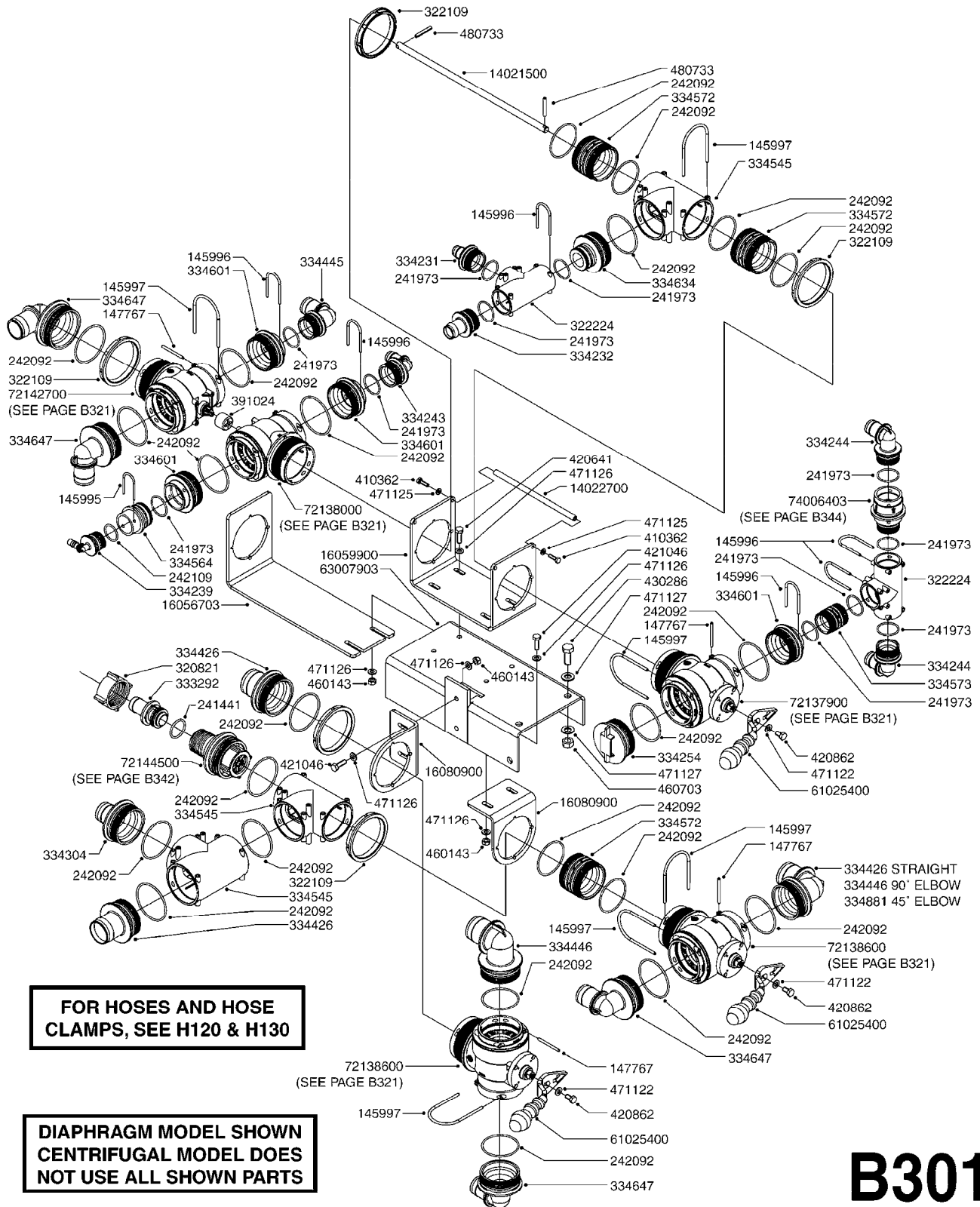


12 VOLT OUTLET BOX
B280-HIN, 30:05:13

Page 1

Date 06.04.2015 11:25

| parts-n° | order qty | description |
|----------|-----------|------------------------------|
| 260363 | 1 | PLUG 2 POLE 12V |
| 260827 | 1 | PLUG F.EC ATTACHMENTS |
| 260901 | 1 | SPADE F.ELEC CONN.1.5MM BLUE |
| 261060 | 1 | PLUG F.EC ATTACHMENTS |
| 261061 | 1 | SPADE F.ELEC.2 WAY CONNECTOR |
| 261067 | 1 | GROMMET 10-14 GREY |
| 261205 | 1 | FUSE HOLDER |
| 261206 | 1 | FUSE 25 A |
| 261207 | 1 | ELECTRIC CONNECTOR 4MM |
| 261208 | 1 | SPADE F.ELEC.CONNECTOR 4MM |
| 261213 | 1 | WIRE 6.4MM BLACK |
| 261214 | 1 | WIRE 6.4MM RED |
| 283697 | 1 | TIESTRAP 200MM |
| 471122 | 1 | WASHER D20/D10.5X2 SS |
| 731853 | 1 | CABLE 2X4MM L=138" |
| 817925 | 1 | OUTLET BOX 12 VOLT ELEC. |
| 978237 | 1 | DECAL OUTLET BOX |
| 39134000 | 1 | BOX, COMPLETE, 12V POWER BOX |



**FOR HOSES AND HOSE
CLAMPS, SEE H120 & H130**

**DIAPHRAGM MODEL SHOWN
CENTRIFUGAL MODEL DOES
NOT USE ALL SHOWN PARTS**

B301



SMART VALVE - NEW NAVIGATOR
B301-HIN, 28:11:06

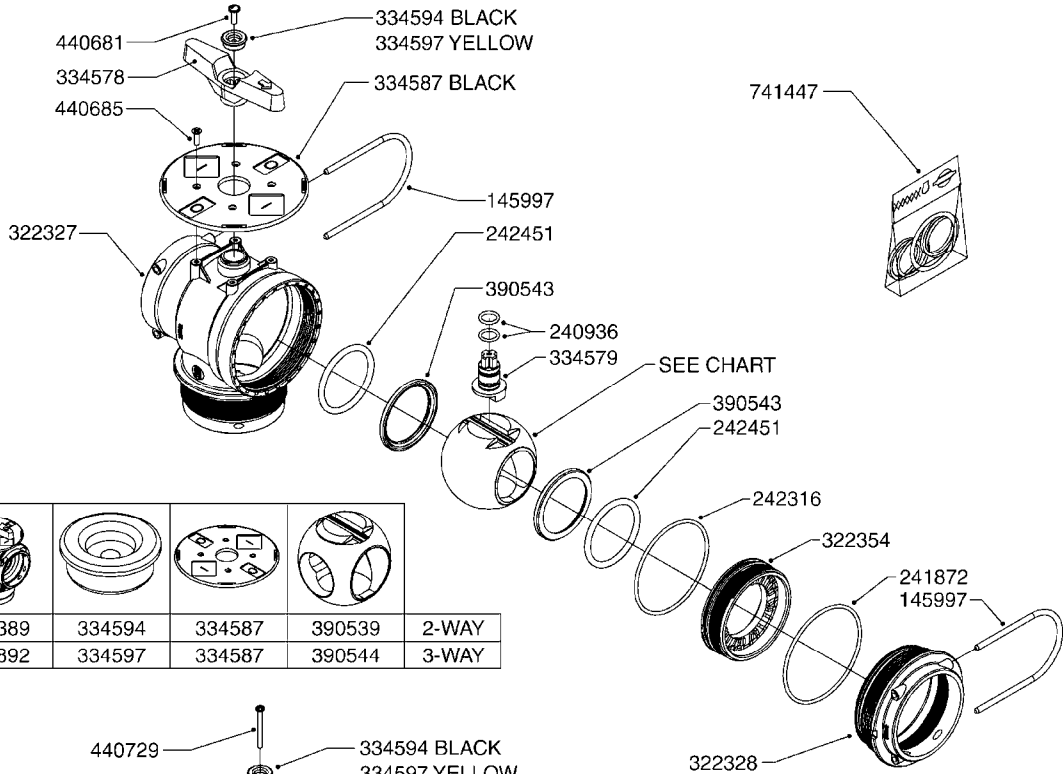
Page 1
Date 06.04.2015 11:26

| parts-n° | order qty | description |
|----------|-----------|-------------------------------------|
| 145995 | 1 | FITT.DK S-53 FORK |
| 145996 | 1 | FITT.DK S-67 FORK |
| 145997 | 1 | FITT.DK S-93 FORK |
| 147767 | 1 | PIN 5Ø X 60 S-93 DOUBLE CLAMP |
| 241441 | 1 | O-RING D29.3X3 |
| 241973 | 1 | O-RING 44.2 x 3.0 (use-242353) |
| 242092 | 1 | O-RING D69.5X3 (Use-242351) |
| 242109 | 1 | O-RING D32.2x3.0 (USE 242354) |
| 320821 | 1 | FITT.DK NUT 1-1/2" BSP |
| 322109 | 1 | FITT.DK S-93 BULKHEAD NUT |
| 322224 | 1 | FITT.DK S-67 TEE |
| 333292 | 1 | FITT.DK HB 1"O'RING F.1-1/2" |
| 334231 | 1 | FITT.DK S-67 STR.1' |
| 334232 | 1 | FITT.DK S-67 STR.1-1/4' |
| 334239 | 1 | FITT.DK S-53 ELB.1/2" |
| 334243 | 1 | FITT.DK S-67 ELB.1" |
| 334244 | 1 | FITT.DK S-67 ELB.1-1/4" |
| 334254 | 1 | FITT.DK S-93 PLUG |
| 334304 | 1 | FITT.DK S-93 STR.1-1/2" PVC |
| 334426 | 1 | FITT.DK S-93 STR.2' |
| 334445 | 1 | FITT.DK S-67 ELB.1-1/2" |
| 334446 | 1 | FITT.DK S-93 ELB.2" PVC |
| 334545 | 1 | FITT.DK S-93 TEE |
| 334564 | 1 | FITT.DK S-67 TO S-53 ADAPTER |
| 334572 | 1 | FITT.DK S-93 ADAPTOR MALE MALE |
| 334573 | 1 | FITT.DK S-67 CONNECTOR |
| 334601 | 1 | FITT.DK S-93 TO S67 ADAPTOR |
| 334634 | 1 | FITT.DK ADAPTER S-93M S67M |
| 334647 | 1 | FITT.DK S93 ELB 1-1/2" 90 PVC |
| 334881 | 1 | FITT.DK S-93 ELB. 2" 45D PVC |
| 391024 | 1 | COUPLING FOR 3RD SMART VALVE |
| 410362 | 1 | BOLT HEX 8.8 SS M6X20 FT |
| 420641 | 1 | BOLT HEX 8.8 DEL M8X35 |
| 420862 | 1 | BOLT HEX 8.8 DEL M10X16 FT |
| 421046 | 1 | BOLT HEX 8.8 DEL M8X25 FT A2 DIN933 |
| 430286 | 1 | BOLT HEX 8.8 DEL M12X30 FT |
| 460143 | 1 | NUT HEX M8 LOCK A2 DIN985 |
| 460703 | 1 | NUT HEX M12X1.75 LOCK DIN985 |
| 471122 | 1 | WASHER D20/D10.5X2 SS |
| 471125 | 1 | WASHER M6U D12/D6.4x1.6 SS A2 |
| 471126 | 1 | WASHER D16/D8.4X1.6 SS |
| 471127 | 1 | WASHER D24/D13X2.5 STAINLESS |
| 480733 | 1 | PIN D6 X 40 |
| 14021500 | 1 | SPINDLE F.S93 SMART VALVE |
| 14022700 | 1 | SPACER TUBE Ø10 L=212 SS |
| 16056703 | 1 | PLATE 6.0X492X116/SMART VALVE |
| 16059900 | 1 | BRACKET 2 STK S93 SMART VALVE |
| 16080900 | 1 | BRACKET 1 STK S93 VALVE 15BAR |
| 61025400 | 1 | HANDLE SMART VALVE |
| 63007903 | 1 | SMART VALVE MOUNTING BKT.1100 |
| 72137900 | 1 | VALVE S93 "V1" SMART VALVE |
| 72138000 | 1 | VALVE S93 "V2" SMART VALVE |
| 72138600 | 1 | VALVE S93 "V3" SMART VALVE |
| 72142700 | 1 | VALVE S93 "V4" SMART VALVE |
| 72144500 | 1 | SAFETY VALVE 15 BAR S93 |
| 74006403 | 1 | CHECK VALVE S67 BAG |



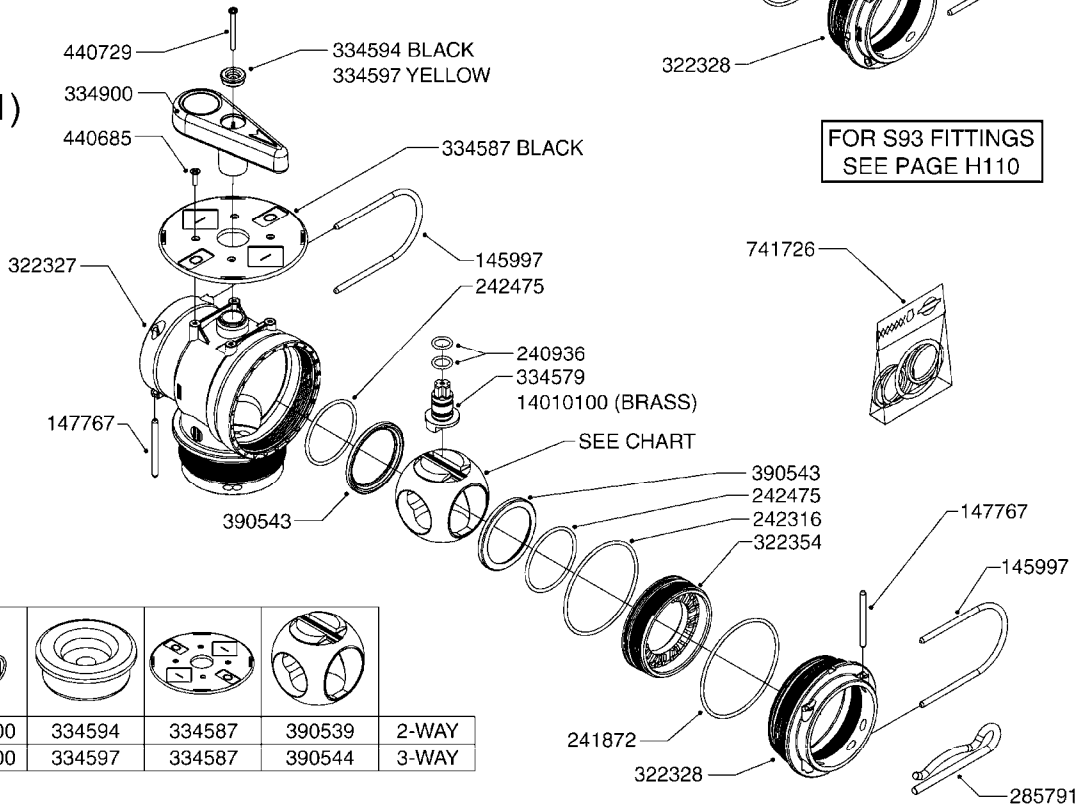
MANIFOLD - S93 VALVE
B320 - HIN, 29:10:12

S93



| | | | | |
|--|--|--|--|-------|
| | | | | 2-WAY |
| | | | | 3-WAY |

S93 (01)



| | | | | |
|--|--|--|--|-------|
| | | | | 2-WAY |
| | | | | 3-WAY |

FOR S93 FITTINGS
SEE PAGE H110

B320

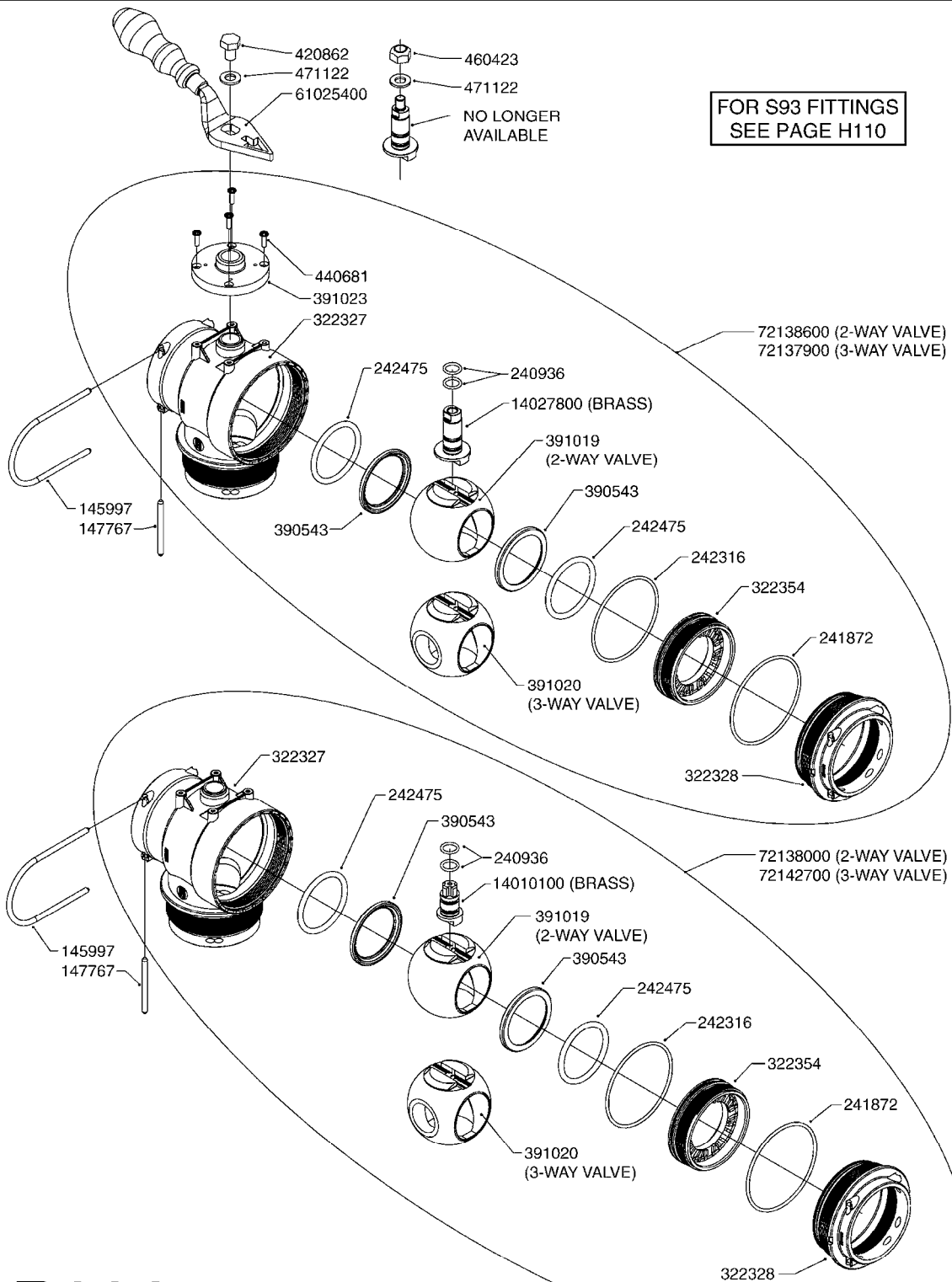


MANIFOLD - S93 VALVE
B320-HIN, 29:10:12

Page 1

Date 06.04.2015 11:26

| parts-n° | order qty | description |
|----------|-----------|--------------------------------|
| 145997 | 1 | FITT.DK S-93 FORK |
| 147767 | 1 | PIN 50 X 60 S-93 DOUBLE CLAMP |
| 240936 | 1 | O-RING D13.3X2.4 NITRIL |
| 241872 | 1 | O'RING D89.5 x 3.0 NITRIL |
| 242316 | 1 | O-RING D84.5X3.0 NITRIL |
| 242451 | 1 | O'RING D56.0 x 3.0 VITON |
| 242475 | 1 | O'RING D56.52x5.33 SH70-VITON |
| 285791 | 1 | HAIR PIN S93/S67 |
| 322327 | 1 | HOUSING, VALVE, S93, 220 PSI |
| 322328 | 1 | END CAP F.VALVE S-93 |
| 322354 | 1 | THRUST PLATE F.3-WAY VALVES-93 |
| 334578 | 1 | HANDLE FOR VALVE 'OLD' STYLE |
| 334579 | 1 | SPINDLE F.3 WAY VALVE S-93 |
| 334587 | 1 | FACE PLATE F.BALL VALVE BLACK |
| 334594 | 1 | PLUG F.VALVE HANDLE BLACK |
| 334597 | 1 | PLUG F.VALVE HANDLE YELLOW |
| 334900 | 1 | HANDLE F.3 WAY VALVE TALL '00 |
| 390539 | 1 | BALL F.2 WAY S-93 VALVE |
| 390543 | 1 | SEAT F.BALL 3-WAY VALVE S-93 |
| 390544 | 1 | BALL F.3 WAY S93 VLVE/SUCT.MAN |
| 440681 | 1 | SCREW F. PLASTIC 4MM X 14LG SS |
| 440685 | 1 | SCREW F.PLASTIC 4X14 SS C-SUNK |
| 440729 | 1 | SCREW F. PLASTIC 4MM X40LG SS |
| 728389 | 1 | VALVE SUCTION S-93 MANIFOLD |
| 728892 | 1 | VAL 2" S93/MEGA alt 72082400 |
| 741447 | 1 | REPAIR KIT F.S93 VALVE - VITON |
| 741726 | 1 | REPAIR KIT F.S93 VALVE VIT.'02 |
| 14010100 | 1 | SPINDLE F.SMART VALVE S-93 |
| 72082300 | 1 | VALVE SUC.S-93 MAN.02 2 WAY |
| 72082400 | 1 | VALVE 2"-S93 3 WAY |



B321



SMART VALVE-S93 MANIFOLD VALVE
B321-HIN, 29:10:12

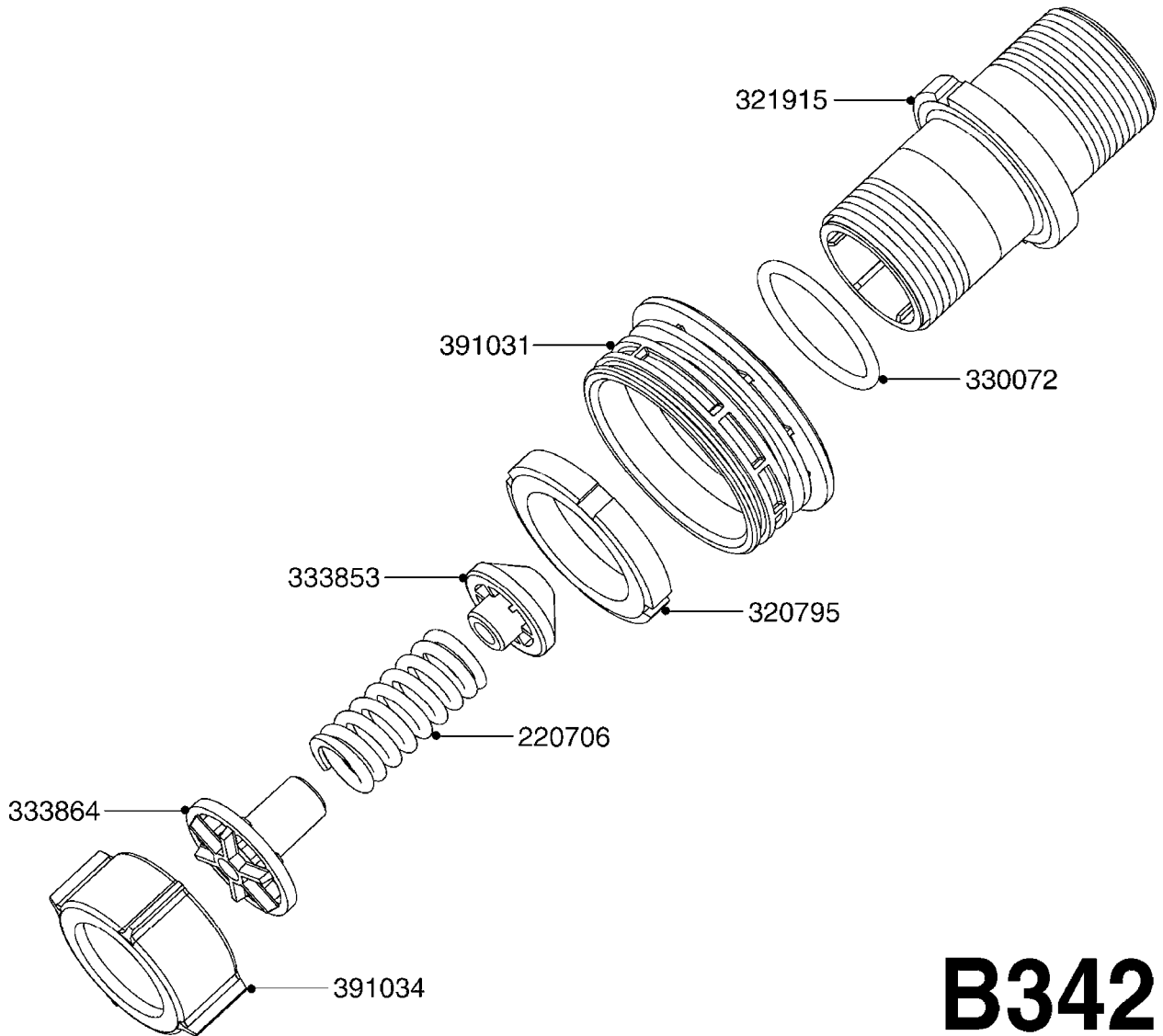
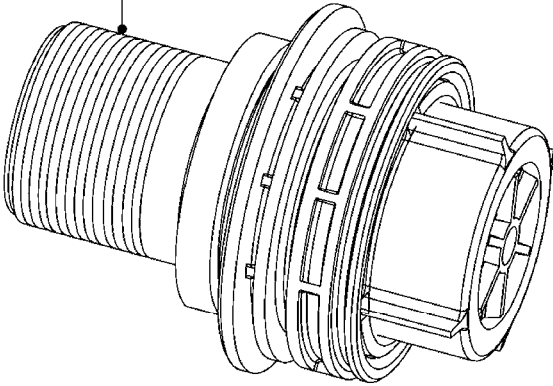
Page 1

Date 06.04.2015 11:26

| parts-n° | order qty | description |
|----------|-----------|--------------------------------|
| 145997 | 1 | FITT.DK S-93 FORK |
| 147767 | 1 | PIN 5Ø X 60 S-93 DOUBLE CLAMP |
| 240936 | 1 | O-RING D13.3X2.4 NITRIL |
| 241872 | 1 | O'RING D89.5 x 3.0 NITRIL |
| 242316 | 1 | O-RING D84.5X3.0 NITRIL |
| 242475 | 1 | O'RING D56.52x5.33 SH70-VITON |
| 322327 | 1 | HOUSING, VALVE, S93, 220 PSI |
| 322328 | 1 | END CAP F.VALVE S-93 |
| 322354 | 1 | THRUST PLATE F.3-WAY VALVES-93 |
| 390543 | 1 | SEAT F.BALL 3-WAY VALVE S-93 |
| 391019 | 1 | BALL F.2 WAY S93 SMART VALVE |
| 391020 | 1 | BALL F.3 WAY S93 SMART VALVE |
| 391023 | 1 | SMART VALVE MOUNTING BRACKET |
| 420862 | 1 | BOLT HEX 8.8 DEL M10X16 FT |
| 440681 | 1 | SCREW F. PLASTIC 4MM X 14LG SS |
| 460423 | 1 | NUT HEX M10X1.5 LOCK |
| 471122 | 1 | WASHER D20/D10.5X2 SS |
| 14010100 | 1 | SPINDLE F.SMART VALVE S-93 |
| 14027800 | 1 | SPINDLE F.SMART VALVE S-93 |
| 61025400 | 1 | HANDLE SMART VALVE |
| 72137900 | 1 | VALVE S93 "V1" SMART VALVE |
| 72138000 | 1 | VALVE S93 "V2" SMART VALVE |
| 72138600 | 1 | VALVE S93 "V3" SMART VALVE |
| 72142700 | 1 | VALVE S93 "V4" SMART VALVE |



70053303 - 15 BAR S93 Tested



B342

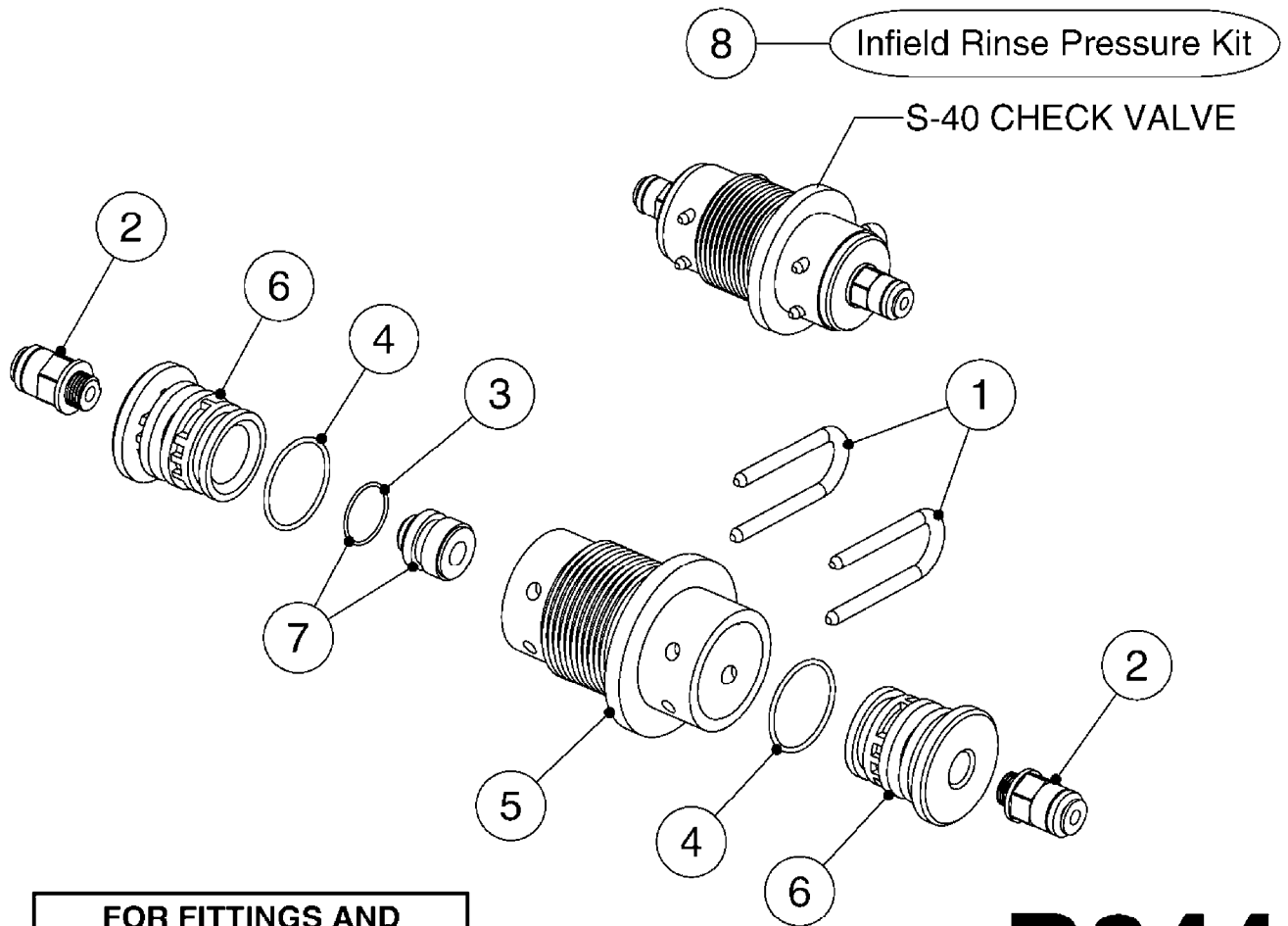


PRESSURE RELIEF VALVE - S93
B342-HIN, 12:12:05

Page 1

Date 06.04.2015 11:26

| parts-n° | order qty | description |
|----------|-----------|--------------------------------|
| 220706 | 1 | SPRING SCF 12 BAR |
| 320795 | 1 | FITT.DK NUT 1-1/2" BSP JAMB |
| 321915 | 1 | HOUSING F. SAFETY VALVE |
| 330072 | 1 | O-RING D53.5/D45.5X4 |
| 333853 | 1 | CONE D35.4 |
| 333864 | 1 | GUIDE F. SAFETY VALVE SPRING |
| 391031 | 1 | RELIEF VALVE ADAPTER |
| 391034 | 1 | NUT 1 1/2 BSP SPECIAL |
| 70053303 | 1 | SAFETY VALVE 15 BAR S93 TESTED |



FOR FITTINGS AND
HOSES, SEE SECTION H

B344

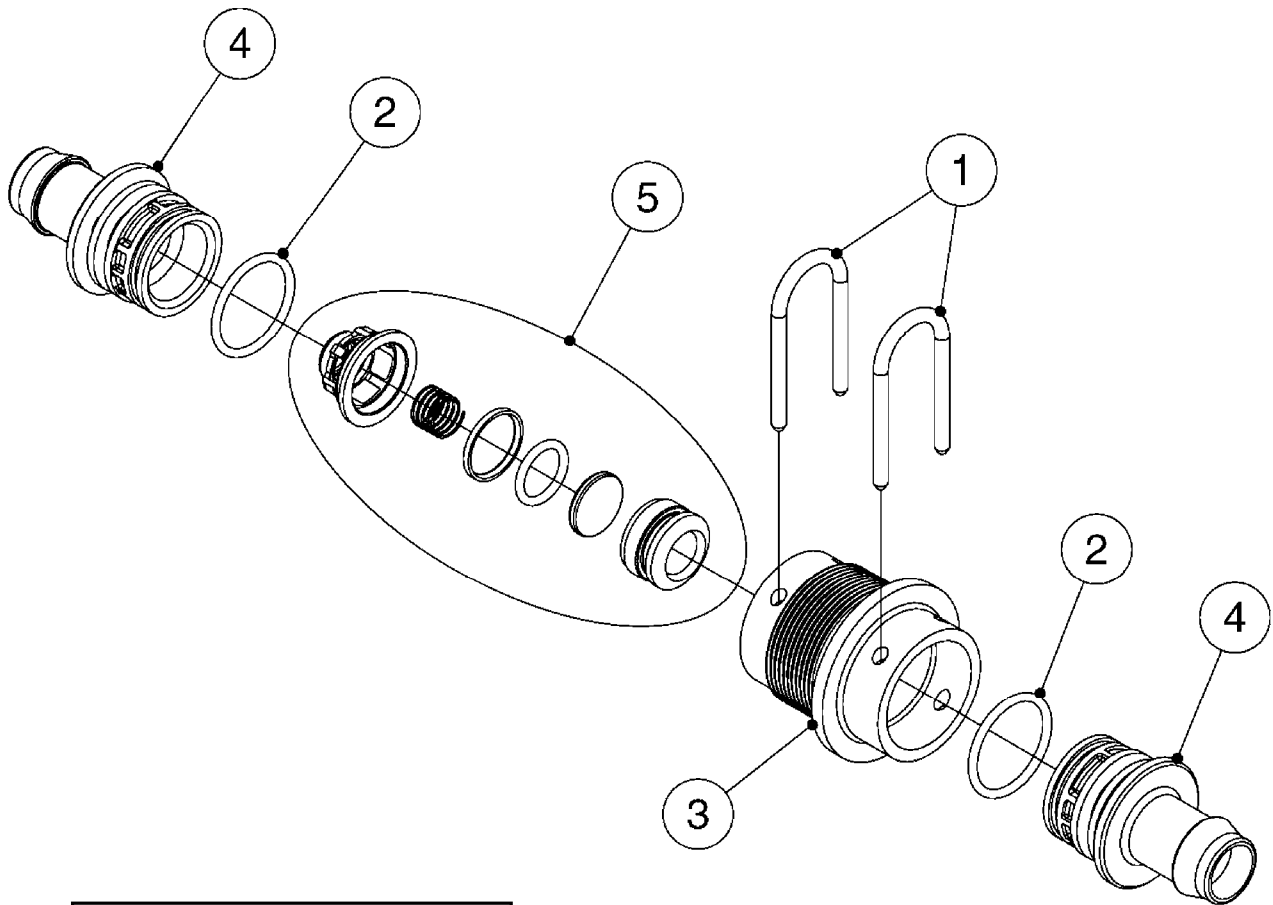


CHECK VALVES - S40
B344-HIN, 21:06:10

Page 1

Date 06.04.2015 11:26

| Pos. | parts-n° | order qty | description |
|------|----------|-----------|--------------------------------|
| 1 | 145994 | 1 | FITT.DK S-40 FORK |
| 2 | 231346 | 1 | QUICK COUPLER 1/8"BSP X 4 MM |
| 3 | 241905 | 1 | O-RING 12,3X2,4 VITON DKR.1,05 |
| 4 | 242355 | 1 | O-RING D19.2X3.0 VITON F.S-40 |
| 5 | 322102 | 1 | FITT.DK S-40 BULKHEAD |
| 6 | 322133 | 1 | FITT.DK S-40 PLUG W 1/8 THREAD |
| 7 | 615522 | 1 | CHECK VALVE F.FOAM MARKER |
| 8 | 70036203 | 1 | RINSE PRESSURE KIT |



FOR FITTINGS AND
HOSES, SEE SECTION H

B345

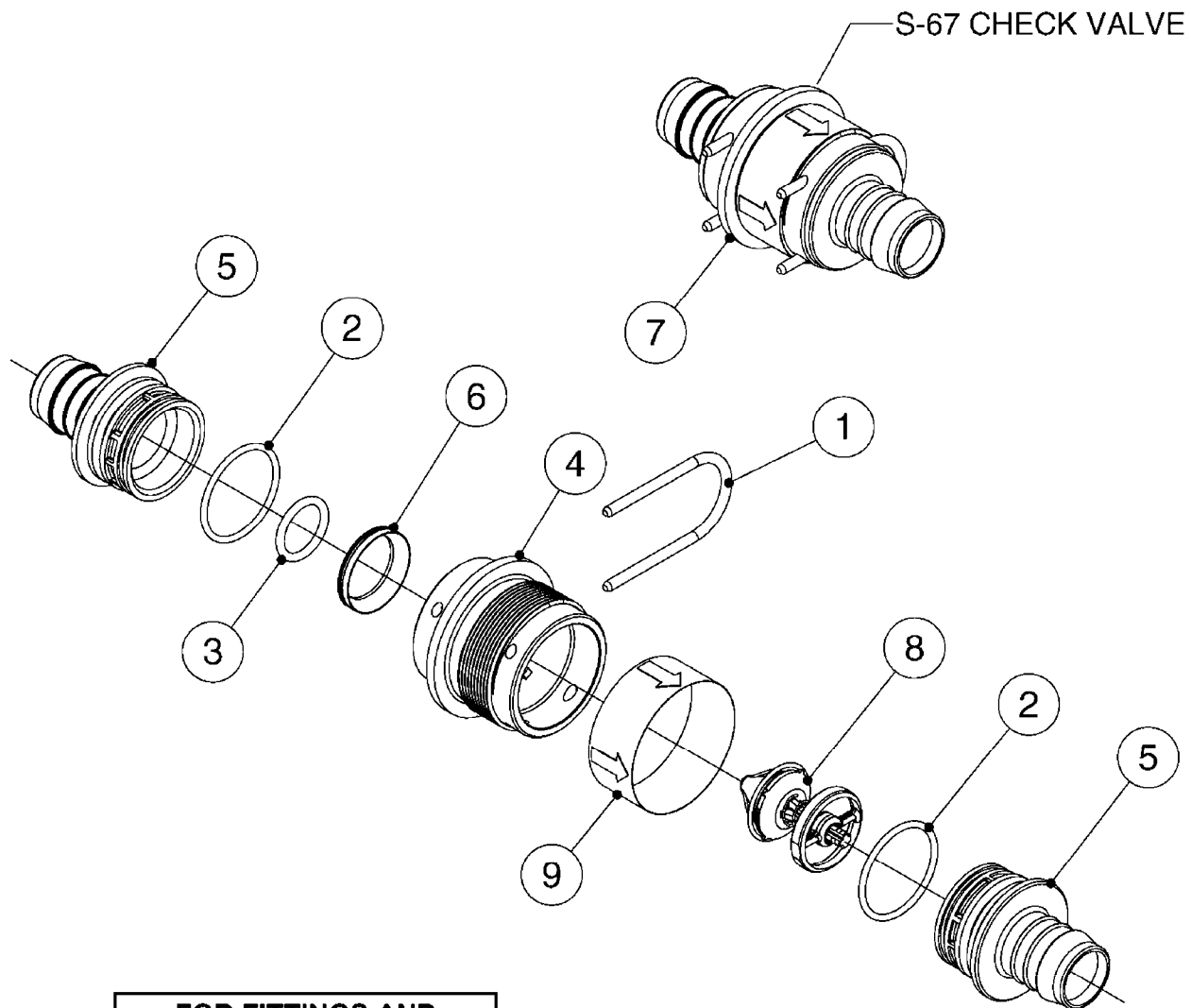


CHECK VALVES - S53
B345-HIN, 21:06:10

Page 1

Date 06.04.2015 11:26

| Pos. | parts-n° | order qty | description |
|------|----------|-----------|-------------------------------|
| 1 | 145995 | 1 | FITT.DK S-53 FORK |
| 2 | 242354 | 1 | O-RING D32.2X3.0 VITON F.S-53 |
| 3 | 322103 | 1 | FITT.DK S-53 BULKHEAD |
| 4 | 334230 | 1 | FITT.DK S-53 STR.1" |
| 5 | 72132600 | 1 | CHECK VALVE SUBASSEMBLY S53 |



FOR FITTINGS AND
HOSES, SEE SECTION H

B346

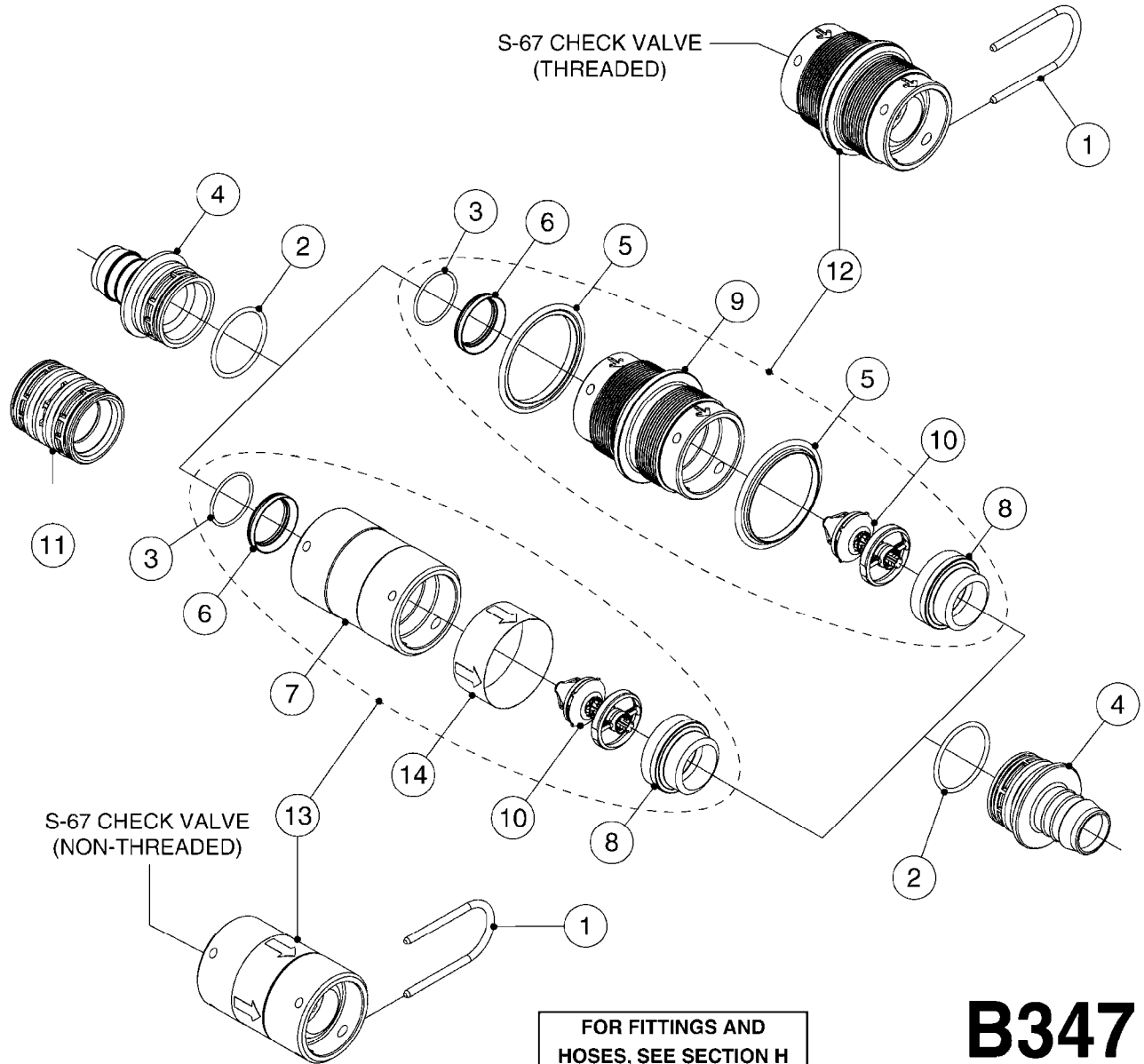


CHECK VALVES - S67
B346-HIN, 16:05:12

Page 1

Date 06.04.2015 11:26

| Pos. | parts-n° | order qty | description |
|------|----------|-----------|--|
| 1 | 145996 | 1 | FITT.DK S-67 FORK |
| 2 | 242353 | 1 | O-RING D44.2X3.0 VITON F.S-67 |
| 3 | 242504 | 1 | O-RING D35x2 NITRIL |
| 4 | 322104 | 1 | FITT.DK S-67 BULKHEAD |
| 5 | 334231 | 1 | FITT.DK S-67 STR.1' |
| 5 | 334232 | 1 | FITT.DK S-67 STR.1-1/4' |
| 6 | 14103100 | 1 | SEAT F.CHECK VALVE D40.8 2010 |
| 7 | 72001803 | 1 | CHCK VLV,S67, 2 X 1" HB COMPLETE IN-LINE CHECK VALVE FOR 1" HOSE |
| 7 | 72206600 | 1 | CHCK VLV,S67, 2 X 1.25" HB COMPLETE IN-LINE CHECK VALVE FOR 1-1/4" HOSE |
| 8 | 72089900 | 1 | CHECK VALVE S67 SUBASMBLY.2001 |
| 9 | 97800500 | 1 | DECAL 230X28 BLACK ARROW |





CHECK VALVES - S67 (2011)
B347-HIN, 16:05:12

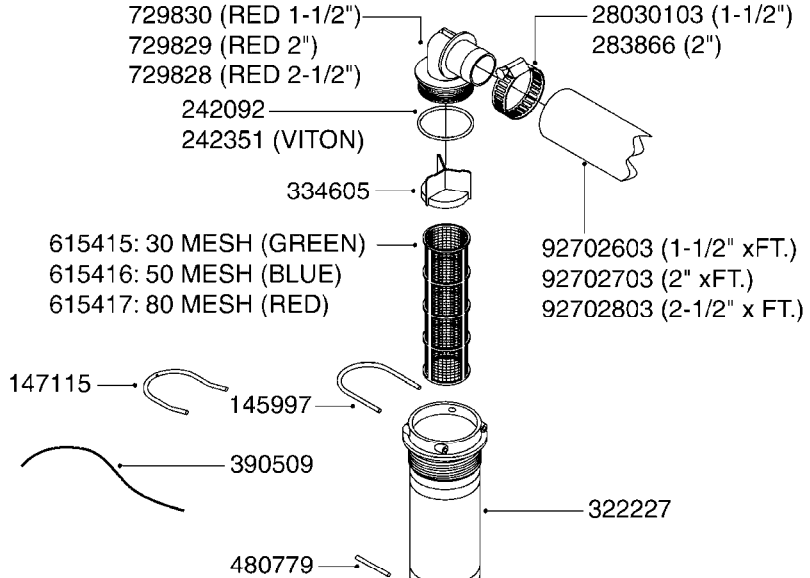
Page 1

Date 06.04.2015 11:26

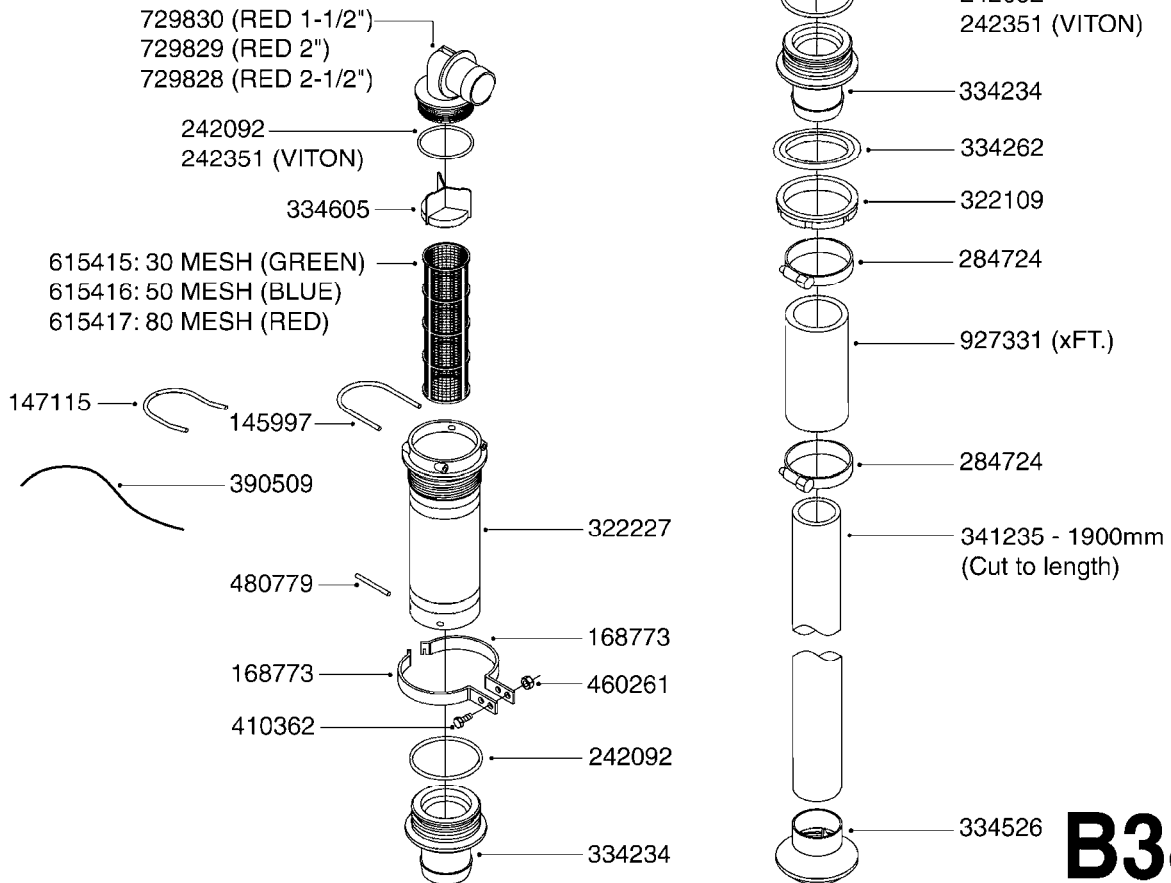
| Pos. | parts-n° | order qty | description |
|------|----------|-----------|--------------------------------|
| 1 | 145996 | 1 | FITT.DK S-67 FORK |
| 2 | 242353 | 1 | O-RING D44.2X3.0 VITON F.S-67 |
| 3 | 242504 | 1 | O-RING D35x2 NITRIL |
| 4 | 334231 | 1 | FITT.DK S-67 STR.1' |
| 4 | 334232 | 1 | FITT.DK S-67 STR.1-1/4' |
| 5 | 334261 | 1 | GASKET F. S-67 BULKHEAD |
| 6 | 14103100 | 1 | SEAT F.CHECK VALVE D40.8 2010 |
| 7 | 39129600 | 1 | HOUSING S67 CHECK VALVE NO THR |
| 8 | 39129700 | 1 | BUSHING Ø50.5X29 CHECK VALVE |
| 9 | 39130400 | 1 | HOUSING S67 CHECK VALVE THREAD |
| 10 | 72089900 | 1 | CHECK VALVE S67 SUBASMBLY.2001 |
| 11 | 72432400 | 1 | FITT.DK S-67 CONNEC W.CHK SEAT |
| 12 | 72746000 | 1 | CHECK VALVE S67 2011 THREADED |
| 13 | 72746100 | 1 | CHECK VALVE S67 2011 NO THREAD |
| 14 | 97800500 | 1 | DECAL 230X28 BLACK ARROW |



TOP SUCTION



EXTERNAL SUCTION



B380

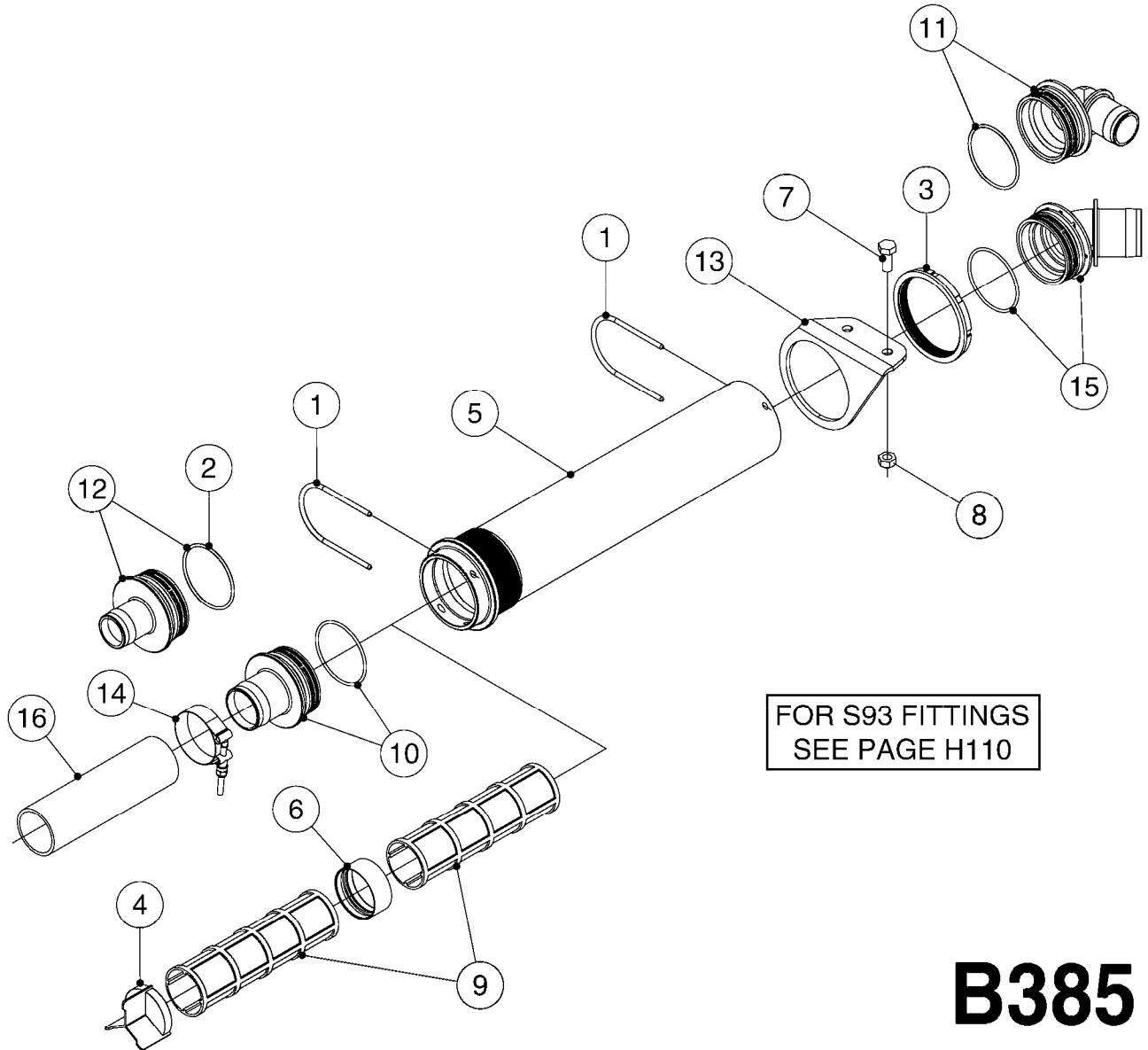


TOP SUCTION ASSEMBLY-S93 2"
B380-HIN, 08:12:09

Page 1

Date 06.04.2015 11:26

| parts-n° | order qty | description |
|----------|-----------|--------------------------------|
| 145997 | 1 | FITT.DK S-93 FORK |
| 147115 | 1 | FITT.DK S-93 FORK SPECIAL |
| 168773 | 1 | MOUNT BRACKET F.S93 HOUSING |
| 242092 | 1 | O-RING D69.5X3 (Use-242351) |
| 242351 | 1 | O-RING D69.5X3.0 VITON F.S-93 |
| 283866 | 1 | CLAMP HOSE SCREW TYPE 2"DELTA |
| 284724 | 1 | CLAMP HOSE GEAR D52-70 |
| 322109 | 1 | FITT.DK S-93 BULKHEAD NUT |
| 322227 | 1 | HOUSING F.FILTER S-93 2" |
| 334234 | 1 | FITT.DK S-93 STR.2" RUBBER |
| 334262 | 1 | GASKET F.S-93 BULKHEAD |
| 334526 | 1 | FOOT F.SUCTION TUBE 2" |
| 334605 | 1 | VANE F.TOP SUCTION FILTER |
| 341235 | 1 | TUBE, SUCTION-2", L=1900MM |
| 390509 | 1 | *STRING POLYESTER D1 X 325MM |
| 410362 | 1 | BOLT HEX 8.8 SS M6X20 FT |
| 460261 | 1 | NUT HEX M6X1 LOCK A2 DIN985 |
| 480779 | 1 | PIN D5X55 SPLIT |
| 615415 | 1 | FILTER ELEM.S93,30 MESH-GREEN |
| 615416 | 1 | FILTER ELEM.S93,50 MESH-BLUE |
| 615417 | 1 | FILTER ELEM.S93,80 MESH-RED |
| 729828 | 1 | FITT.DK S-93 ELB 2-1/2" RED |
| 729829 | 1 | FITT.DK S-93 ELB 2 RED |
| 729830 | 1 | FITT.DK S-93 ELB 1-1/2" 90 RED |
| 927331 | 1 | HOSE R X 28 BAR X 50MM |
| 28030103 | 1 | CLAMP HOSE GEAR P5/4-S1.5"6724 |
| 92702603 | 1 | HOSE PVC SUCT GRAY 1-1/2" |
| 92702703 | 1 | HOSE PVC SUCT GRAY 2" |
| 92702803 | 1 | SUGE SLANGE PVC GRÅ 2-1/2" |





DOUBLE SUCTION FILTER - S93
B385-HIN, 07:11:12

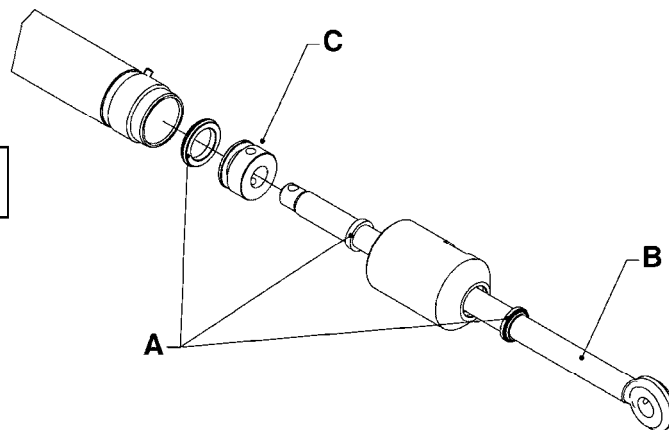
Page 1



Date 06.04.2015 11:26



| Pos. | parts-n° | order qty | description |
|------|----------|-----------|-----------------------------------|
| 1 | 145997 | 1 | FITT.DK S-93 FORK |
| 2 | 242351 | 1 | O-RING D69.5X3.0 VITON F.S-93 |
| 3 | 322109 | 1 | FITT.DK S-93 BULKHEAD NUT |
| 4 | 334605 | 1 | VANE F.TOP SUCTION FILTER |
| 5 | 390906 | 1 | DOUBLE FILTER CASING S93 99 |
| 6 | 390907 | 1 | SOCKET F.DOUB.FILTER CAS. S93 |
| 7 | 420604 | 1 | BOLT HEX 8.8 DEL M10X25 FT DIN933 |
| 8 | 460423 | 1 | NUT HEX M10X1.5 LOCK |
| 9 | 615415 | 1 | FILTER ELEM.S93,30 MESH-GREEN |
| 9 | 615416 | 1 | FILTER ELEM.S93,50 MESH-BLUE |
| 9 | 615417 | 1 | FILTER ELEM.S93,80 MESH-RED |
| 10 | 727227 | 1 | FITT.DK S-93 STR.2' W/ORING |
| 11 | 728395 | 1 | FITT.DK S-93 ELB.1-1/2" 90 DEG |
| 12 | 728523 | 1 | FITT.DK S-93 STR.1-1/2" |
| 13 | 16029503 | 1 | PLATE 5.0X114X160/BOW/HOLE D94 |
| 14 | 28030103 | 1 | CLAMP HOSE GEAR P5/4-S1.5"6724 |
| 14 | 28030203 | 1 | CLAMP HOSE T-BOLT S2" 235-67 |
| 15 | 72072700 | 1 | FITT.DK S-93 45D 2" PVC |
| 16 | 92702603 | 1 | HOSE PVC SUCT GRAY 1-1/2" |
| 16 | 92702703 | 1 | HOSE PVC SUCT GRAY 2" |



Check cylinder barrel for stamped part number.



|  |  | A | B | C |
|---|---|--------|----------|----------|
| 781030 | | 750247 | 615030 | 146443 |
| 781031 | | 750248 | 615040 | 146484 |
| 781033 | | 750248 | 615174 | 146484 |
| 781035 | | 750247 | 146610 | 146443 |
| | 781038 | 750247 | 615210 | 146443 |
| 781039 | | 750250 | 615656 | 147254 |
| | 781041 | 750253 | 615232 | 146749 |
| | 781043 | 750251 | 615210 | 146858 |
| 781044 | | 750248 | 615316 | 146484 |
| 781045 | | 750273 | 615358 | 146443 |
| | 781047 | 750251 | 615363 | 146858 |
| | 781051 | 750273 | 615570 | 146443 |
| 781052 | | 750273 | 147127 | 146443 |
| 781053 | | 750273 | 147151 | 146443 |
| 781058 | | 750251 | 615643 | 146858 |
| 781060 | | 750250 | 615656 | 147254 |
| 781065 | | 750273 | 147127 | 146443 |
| 781067 | | 755695 | 147468 | 147469 |
| 781078 | | 750251 | 615643 | 146858 |
| 781080 | | 750247 | 147601 | 146443 |
| 781083 | | 755697 | 616065 | 147463 |
| 781084 | | 750247 | 616070 | 146443 |
| 781087 | | 750689 | 147127 | 146858 |
| 781090 | | 750669 | 61003600 | 14005600 |

|  |  | A | B | C |
|---|--|--------|----------|----------|
| 781093 | | 750693 | 14018900 | 14022200 |
| 781096 | | 750691 | 61025200 | 14015500 |
| 781097 | | 750691 | 61022800 | 14015500 |
| 781100 | | 750692 | 14022400 | 14038500 |
| 781107 | | 750713 | 14028900 | 14024100 |
| 781109 | | 750713 | 14029100 | 14024100 |
| 781111 | | 750713 | 14029100 | 14024100 |
| 781113 | | 750714 | 61028900 | 14038400 |
| 781115 | | 750709 | 61029200 | 14029700 |
| 781116 | | 750712 | 14030200 | 14038400 |
| 781118 | | 750710 | 14030600 | 14029700 |
| 781119 | | 750710 | 14030700 | 14029700 |
| 781121 | | 750711 | 14030900 | 14029700 |
| 781122 | | 750711 | 14030900 | 14029700 |
| 781123 | | 750711 | 14031100 | 14029700 |
| 781124 | | 750711 | 14031100 | 14029700 |
| 781126 | | 750710 | 14036200 | |
| 781127 | | 750709 | 61033600 | |
| 781130 | | 750715 | 61031000 | 14027500 |
| 781132 | | 750668 | 63039300 | |
| 781138 | | 750715 | 61038000 | 14027500 |
| 781139 | | 750725 | 615656 | |
| 781141 | | 750724 | 61022800 | |
| 78100003 | | 750691 | 61022800 | 14008203 |

C020



| parts-n° | order qty | description |
|----------|-----------|--------------------------------|
| 146443 | 1 | HYDR.PISTON D49.8/23.0 L=35 |
| 146484 | 1 | HYDR.PISTON D39.8/18.0 L=25 |
| 146610 | 1 | PISTON ARM F.CYL Ø50/25-150 |
| 146749 | 1 | PISTON RING F.D70/50-700 |
| 146858 | 1 | HYDR.PISTON D59.8/23.0 L=35 |
| 147127 | 1 | PISTON BAR Ø30,0 - 385MM |
| 147151 | 1 | PISTON BAR D30.0 - 585MM |
| 147254 | 1 | HYDR.PISTON D25/12 L=12 |
| 147463 | 1 | PISTON RING F.D70/40 |
| 147468 | 1 | ROD CYLINDER F. 781067 HYD CYL |
| 147469 | 1 | PISTON F. 781067 HYD CYL |
| 147601 | 1 | PISTON ARM F. CYL. Ø25 L=348 |
| 615030 | 1 | PISTON ARM F.CYL Ø50/25-300 |
| 615040 | 1 | PISTON ARM F.CYL Ø40/20-120 |
| 615174 | 1 | PISTON ROD F. HY CYLINDER |
| 615210 | 1 | HINGE PIN W.FORK L=1015 |
| 615232 | 1 | PISTON ARM F.CYL Ø70/50-700 |
| 615316 | 1 | PISTON ARM F. CYL. D40/20-500 |
| 615358 | 1 | PISTON ARM F.CYL Ø50/30-500 |
| 615363 | 1 | PISTON ARM F.CYL Ø25 L=1315 |
| 615570 | 1 | CYLINDER ROD F.HY CYL.781051 |
| 615643 | 1 | PISTON BAR 060-25 - 830MM |
| 615656 | 1 | PISTON BAR FOR 025/12-50 |
| 616065 | 1 | PISTON ARM F. CYL. Ø40/400 |
| 616070 | 1 | PIST ARM Ø50/25L=300alt781113 |
| 750247 | 1 | SEAL KIT F.HY CYL.781030/35/38 |
| 750248 | 1 | SEAL KIT F.HY CYL.781031/33 |
| 750250 | 1 | SEAL KIT F.HY CYL.781039 |
| 750251 | 1 | SEAL KIT F.HY CYL. |
| 750253 | 1 | SEAL KIT F.HY CYL.781041 |
| 750273 | 1 | GASKET SET F.HY-CYL 781051-52 |
| 750668 | 1 | SEAL KIT F.HY DAMPER 781089 |
| 750669 | 1 | SEAL KIT F.HY CYL. 781090 |
| 750689 | 1 | SEAL KIT F.HY CYL.781087 |
| 750691 | 1 | SEAL KIT F HY CYL.781095/96/97 |
| 750692 | 1 | SEAL KIT F.HY CYL.781100 |
| 750693 | 1 | SEAL KIT F.HY CYL.781093 |
| 750709 | 1 | GASKET SET F.781115/25 |
| 750710 | 1 | SEAL KIT F.HY CYL.781118/19/20 |
| 750711 | 1 | SEAL KIT F.781121/22/23/24 |
| 750712 | 1 | SEAL KIT F.781116 |
| 750713 | 1 | SEAL KIT F HY CYL.781103/6/7/8 |
| 750714 | 1 | SEAL KIT F.HY CYL.781113/14/17 |
| 750715 | 1 | SEAL KIT F.HY CYL.781105/30/38 |
| 750724 | 1 | SEAL KIT F.HY CYL.781141 |
| 750725 | 1 | SEAL KIT F.HY CYL.781131-39 |
| 755695 | 1 | SEAL KIT F. HYD CYL 781067 |
| 755697 | 1 | SEAL KIT F.HY CYL.781083 |
| 781030 | 1 | CYLINDER D50/25 L=300 |
| 781031 | 1 | CYLINDER D40/20-120 |
| 781033 | 1 | DOUBLE CYLINDER D 40/20-300 |
| 781035 | 1 | CYLINDER DOUBLE Ø50/25-150 |
| 781038 | 1 | CYLINDER Ø50/25-900 |
| 781039 | 1 | CYL D25/12-50 172MM alt 781139 |
| 781041 | 1 | CYLINDER DOUBLE Ø70/50-700 |
| 781043 | 1 | CYLINDER DOUBLE D60/25-900 |
| 781044 | 1 | CYLINDER DOUBLE D40/20-300 |
| 781045 | 1 | CYLINDER DOUBLE Ø50/30-500 |
| 781047 | 1 | CYLINDER Ø60/25-1200 |
| 781051 | 1 | CYLINDER DOUBLE Ø50/30-600 |
| 781052 | 1 | CYL DOUB D50/30-300 78121600 |



| parts-n° | order qty | description |
|----------|-----------|--------------------------------|
| 781053 | 1 | CYL F INN WING FLD alt 781107 |
| 781058 | 1 | CYLINDER 60/25 X 725 CM PAR LH |
| 781060 | 1 | CYLINDER D25/12-50 L=210mm |
| 781065 | 1 | CYLINDER F.WING TILT |
| 781067 | 1 | CYL DOUB D50/30-300 78121600 |
| 781078 | 1 | CYLINDER 60/25 X 725 CM PAR RH |
| 781080 | 1 | CYLINDER DOUBLE D50/25-250 |
| 781083 | 1 | CYLINDER DOUBLE D70/40-400 |
| 781084 | 1 | CYLINDER D50/25 L=300 |
| 781087 | 1 | CYL DOUB 60/30-300 alt 781100 |
| 781090 | 1 | CYL DBLD32/16-200W |
| 781093 | 1 | CYLINDER FOLD SPC D60/30 L=300 |
| 781096 | 1 | CYLINDER 60/25 X 662 NAV PAR |
| 781097 | 1 | CYLINDER 60/25 X 725 CM PAR |
| 781100 | 1 | CYLINDER DOUBLE 60/30-300 |
| 781107 | 1 | DOBCYL50/30-500/M24X2 78121200 |
| 781109 | 1 | DOUBLE CYLINDER D 50/30-300 |
| 781111 | 1 | CYL DOUB D50/30-300 78121600 |
| 781113 | 1 | CYLINDER D50/25 L=300 |
| 781115 | 1 | DOUBLE CYLINDER D 40/20-300 |
| 781116 | 1 | CYLINDER DOUBLE D50/25-298 |
| 781118 | 1 | CYLINDER DOUBLE D40/20-180 |
| 781119 | 1 | DOUBLE CYLINDER D 40/20-300 |
| 781121 | 1 | CYLINDER D40/22-300 BLACK |
| 781122 | 1 | CYLINDER 40/22X300MM RED |
| 781123 | 1 | CYLINDER D40/22-300 BLACK |
| 781124 | 1 | CYLINDER 40/22X300MM RED |
| 781126 | 1 | CYLINDER D40/20-120 |
| 781127 | 1 | CYLINDER D40/20-120 |
| 781130 | 1 | CYLINDER DOUBL. D70/40-320 |
| 781132 | 1 | CYL.STAB CM1200 04 78126000 |
| 781138 | 1 | CYLINDER DOUBL. D70/40-265 |
| 781139 | 1 | CYLINDER D25/12-50 |
| 781141 | 1 | CYLINDER 60/25 X 635 DELTA PAR |
| 14005600 | 1 | HYDR.PISTON D32.0/16.0 L=25 |
| 14008203 | 1 | HYD. CYLINDER PISTON CM+750 |
| 14015500 | 1 | HYDR.PISTON D60.0/25.0 L=40 |
| 14018900 | 1 | PISTON ARM F. CYL. Ø30 L=420 |
| 14022200 | 1 | HYDR.PISTON D59.4/20.0 L=34.9 |
| 14022400 | 1 | PISTON ARM F. CYL. Ø60 L=412 |
| 14024100 | 1 | HYDR.PISTON D49.4/20.0 L=35 |
| 14027500 | 1 | HYDR.PISTON D69.4/24.0 L=35 |
| 14028900 | 1 | CYLINDER ROD D30.0 L=609.0 |
| 14029100 | 1 | CYLINDER ROD D30.0 L=409.0 |
| 14029700 | 1 | HYDR.PISTON D38.0/16.0 L=25 |
| 14030200 | 1 | CYLINDER ROD D25.0 L=398 |
| 14030600 | 1 | CYLINDER ROD D20.0 L=281.0 |
| 14030700 | 1 | CYLINDER ROD D20.0 L=401 |
| 14030900 | 1 | CYLINDER ROD D22.0 L=401 |
| 14031100 | 1 | CYLINDER ROD D22.0 L=439/M22 |
| 14036200 | 1 | CYLINDER ROD D20.0 L=221.0 |
| 14038400 | 1 | HYDR.PISTON D49.4/20.0 L=34.9 |
| 14038500 | 1 | PISTON HYD. CYL. Ø60/Ø25 |
| 61003600 | 1 | CYLINDER ROD F. 781090 |
| 61022800 | 1 | PISTON ARM F.CYL.Ø60/25L=856.5 |
| 61025200 | 1 | PISTON ARM F.CYL.Ø60/25L=786.5 |
| 61028900 | 1 | PISTON ARM F.CYL.Ø50/25-300 |
| 61029200 | 1 | PISTON ROD F. HY CYLINDER |
| 61031000 | 1 | CYLINDER ROD FOR D70/40 - 320 |
| 61033600 | 1 | PISTON ARM F.CYL.Ø40/20 L=120 |
| 61038000 | 1 | CYLINDER ROD FOR D70/40 |



HYDRAULICS - CYLINDERS
C020-HIN, 14:12:07

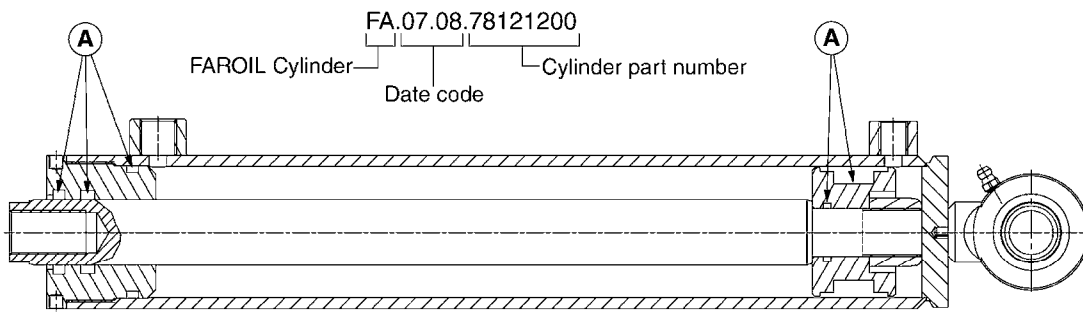
Page 3

Date 06.04.2015 11:26

| parts-n° | order qty | description |
|----------------------|-----------|---|
| 63039300 78100003 | 1 1 | CYLINDER ROD F.781132 CYL. PARA-LIFT CM+750 W/STOP |



Check cylinder barrel for stamped part number.



FAROIL cylinders directly replace the cylinders in the chart below. Seal kits (A) are for FAROIL cylinders only. Seal kits for replaced cylinders can be found on pages C010 and C020.

| FAROIL Cylinder # | Replaces Cylinder # | FAROIL Seal Kit (A) |
|-------------------|---------------------|---------------------|
| 78120000 | 781001 | 75075900 |
| 78120100 | 781011 | 75076000 |
| 78120200 | 781034 | 75075900 |
| 78120300 | 781040 | 75076100 |
| 78120500 | 781093 | 75074600 |
| 78120600 (LH) | 781096* | 28117300 |
| 78120700 (LH) | 781097* | 28117300 |
| 78120800 | 781100 | 75075400 |
| 78121000 | - | 75075500 |
| 78121200 | 781107 | 75074500 |
| 78121400 | 781109 | 75075200 |
| 78121600 | 781111 | 75074500 |
| 78121800 | 781113 | 75074400 |
| 78122000 | 781115 | 75074300 |
| 78122100 | 781116 | 75074400 |
| 78122300 | 781118 | 75074300 |
| 78122400 | 781119 | 75074300 |
| 78122600 | 781121 | 75075000 |
| 78122700 | 781122 | 75075000 |

| FAROIL Cylinder # | Replaces Cylinder # | FAROIL Seal Kit (A) |
|-------------------|---------------------|---------------------|
| 78122800 | 781123 | 75075000 |
| 78122900 | 781124 | 75075000 |
| 78123100 | 781126 | 75074300 |
| 78123200 | 781127 | 75074300 |
| 78123300 (LH) | 78115000* | 75075500 |
| 78124100 (RH) | 78115100* | 75075500 |
| 78124200** | 781139 | 75074800 |
| 78124300 (LH) | 781141* | 28117300 |
| 78124600 | 781115 | 75074300 |
| 78125100 (RH) | 78115000* | 75075500 |
| 78125300 (LH) | 78115100* | 75075500 |
| 78125500 (RH) | 781096* | 28117300 |
| 78125600 (RH) | 781097* | 28117300 |
| 78125700 (RH) | 781141* | 28117300 |
| 78126000 | 781132 | 75074900 |
| 78126400 | 781090 | 75076500 |
| 78128000 | 78120500 | 75074600 |
| 78128800 | 78121200 | 75075200 |

*Replaced by separate left and right cylinders.

** Only available as 72531000 (78124200 with fittings).

C025



| parts-n° | order qty | description |
|----------|-----------|--|
| 781001 | 1 | CYL.TELESOPING Ø50/40/25_1100 |
| 781011 | 1 | CYLINDER TELESC.70/60/40 |
| 781034 | 1 | HY. CYLINDER D50/40/25 - 1200 |
| 781040 | 1 | CYLINDER 60/50/30 1100MM |
| 781090 | 1 | CYL DBLD32/16-200W |
| 781093 | 1 | CYLINDER FOLD SPC D60/30 L=300 |
| 781096 | 1 | CYLINDER 60/25 X 662 NAV PAR |
| 781097 | 1 | CYLINDER 60/25 X 725 CM PAR |
| 781100 | 1 | CYLINDER DOUBLE 60/30-300 |
| 781107 | 1 | DOBCYL50/30-500/M24X2 78121200 |
| 781109 | 1 | DOUBLE CYLINDER D 50/30-300 |
| 781111 | 1 | CYL DOUB D50/30-300 78121600 |
| 781113 | 1 | CYLINDER D50/25 L=300 |
| 781115 | 1 | DOUBLE CYLINDER D 40/20-300 |
| 781116 | 1 | CYLINDER DOUBLE D50/25-298 |
| 781118 | 1 | CYLINDER DOUBLE D40/20-180 |
| 781119 | 1 | DOUBLE CYLINDER D 40/20-300 |
| 781121 | 1 | CYLINDER D40/22-300 BLACK |
| 781122 | 1 | CYLINDER 40/22X300MM RED |
| 781123 | 1 | CYLINDER D40/22-300 BLACK |
| 781124 | 1 | CYLINDER 40/22X300MM RED |
| 781126 | 1 | CYLINDER D40/20-120 |
| 781127 | 1 | CYLINDER D40/20-120 |
| 781132 | 1 | CYL.STAB CM1200 04 78126000 |
| 781139 | 1 | CYLINDER D25/12-50 |
| 781141 | 1 | CYLINDER 60/25 X 635 DELTA PAR |
| 28117300 | 1 | SEAL KIT 78120600/07/43 |
| 72531000 | 1 | CYL. D25/12-50/78124200 W/FITT |
| 75074300 | 1 | SEALKIT78122000/23-25/30-32/46 |
| 75074400 | 1 | SEAL KIT 78121800/21/44 |
| 75074500 | 1 | SEALKIT78121100-13/15/16/36/48 |
| 75074600 | 1 | SEAL KIT 78120500/49 |
| 75074800 | 1 | SEAL KIT 78123400/42 |
| 75074900 | 1 | SEAL KIT 78123700 |
| 75075000 | 1 | SEAL KIT 78122600/27/28/29 |
| 75075200 | 1 | SEAL KIT 78120900/14/50 |
| 75075400 | 1 | SEAL KIT 78120800 |
| 75075500 | 1 | SEAL KIT 78121000/33/41/51/53 |
| 75075900 | 1 | SEAL KIT FOR 78120000 & 78120200 |
| 75076000 | 1 | SEAL KIT 78120100 |
| 75076100 | 1 | SEAL KIT 78120300 |
| 75076500 | 1 | SEAL KIT 78126400 |
| 78115000 | 1 | DBL CYL D70/40-320 AIRING |
| 78115100 | 1 | CYL DOB.D70/40-265 AIR INLET R |
| 78120000 | 1 | CYL.TELESOPING Ø50/40/25_1100 |
| 78120100 | 1 | CYLINDER TELESC.70/60/40 |
| 78120200 | 1 | HY. CYLINDER D50/40/25 - 1200 |
| 78120300 | 1 | CYLINDER 60/50/30 1100MM |
| 78120500 | 1 | CYLINDER FOLD SPC D60/30 L=300 NLA - REPLACED BY 78128000 |
| 78120600 | 1 | CYLINDER 60/25 X 662 NAV PAR L |
| 78120700 | 1 | CYLINDER 60/25 X 725 CM PAR L |
| 78120800 | 1 | CYLINDER DOUBLE 60/30-300 |
| 78121000 | 1 | CYLINDER DOUBLE D70/40-400 |
| 78121200 | 1 | CYLINDER, D50/30-500 |
| 78121400 | 1 | CYLINDER DOUBLE D50/30-300 |
| 78121600 | 1 | CYLINDER DOUBLE D50/30-300 |
| 78121800 | 1 | CYLINDER D50/25 L=300 |
| 78122000 | 1 | CYLINDER DOUBLE Ø40/20-300 0° |
| 78122100 | 1 | CYLINDER DOUBLE D50/25-298 |
| 78122300 | 1 | CYLINDER DOUBLE D40/20-180 |

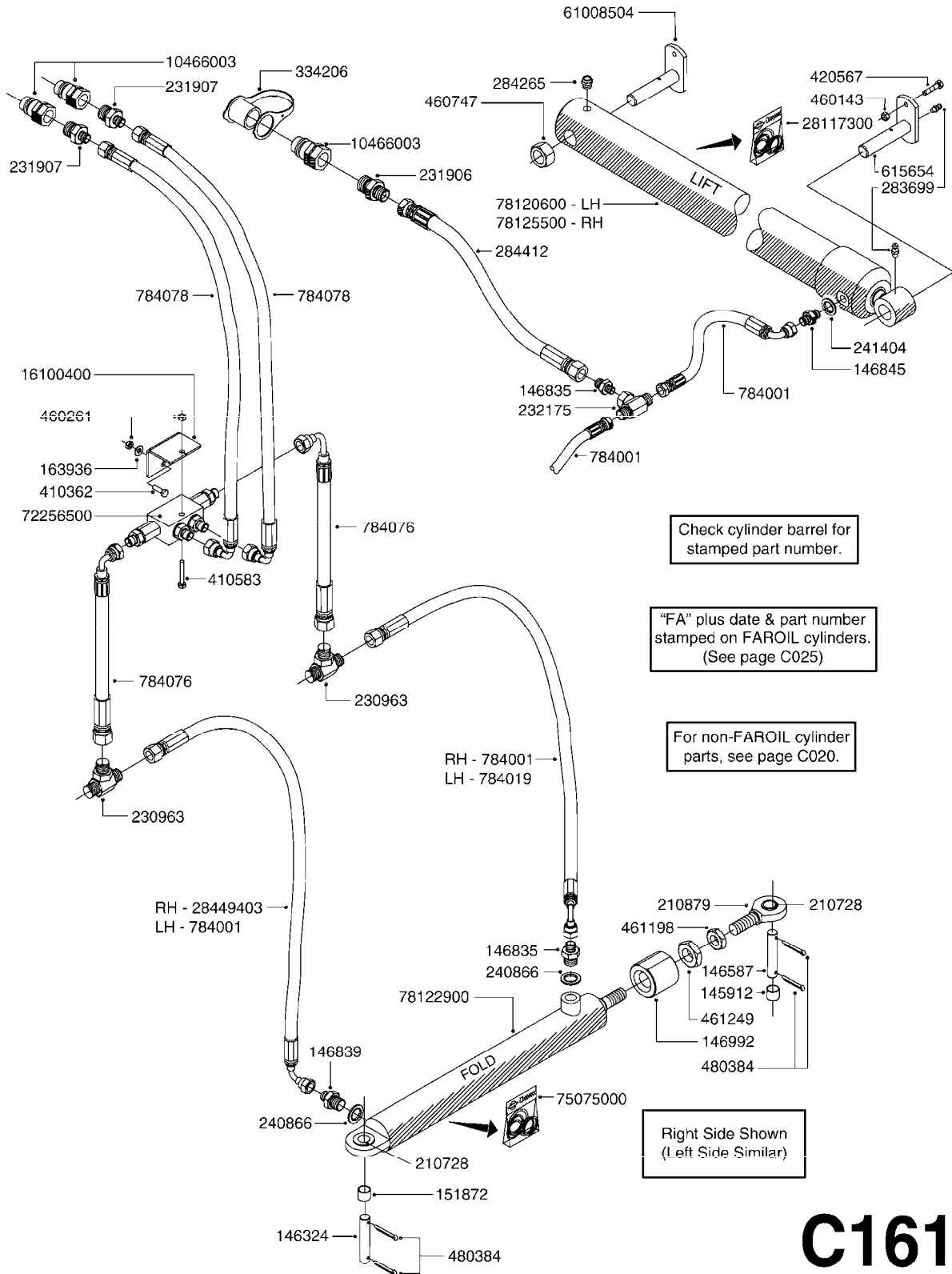


HYDRAULICS - FAROIL CYLINDERS
C025-HIN, 15:08:12

Page 2

Date 06.04.2015 11:26

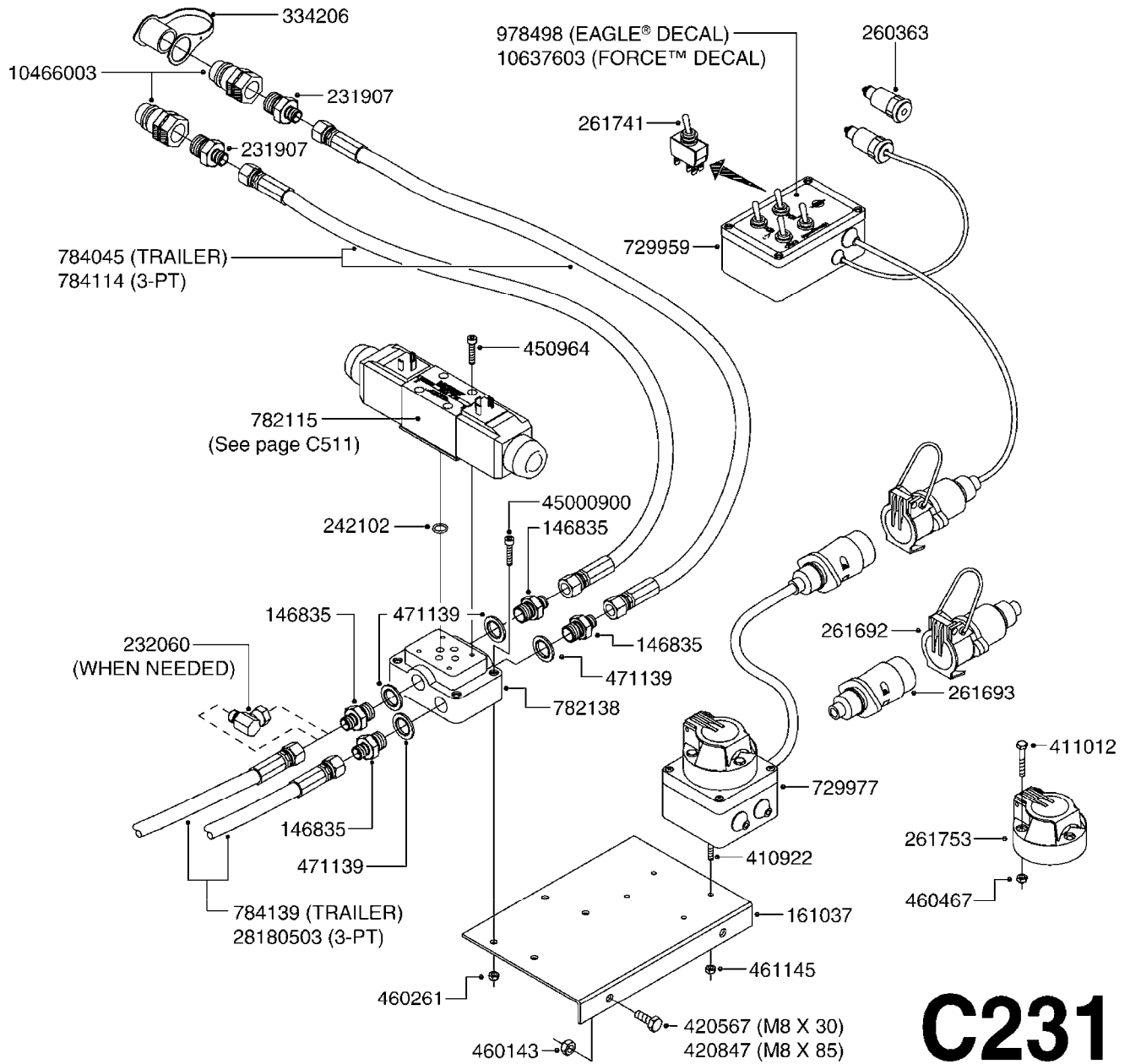
| parts-n° | order qty | description |
|----------|-----------|--------------------------------|
| 78122400 | 1 | DOUBLE CYLINDER D 40/20-300 |
| 78122600 | 1 | CYLINDER D40/22-300 BLACK |
| 78122700 | 1 | CYLINDER 40/22X300MM RED |
| 78122800 | 1 | CYLINDER D40/22-300 BLACK |
| 78122900 | 1 | CYLINDER 40/22X300MM RED |
| 78123100 | 1 | CYLINDER D40/20-120 |
| 78123200 | 1 | CYLINDER D40/20-120 |
| 78123300 | 1 | DBL CYL D70/40-320 AIR INLET L |
| 78124100 | 1 | CYL DOB.D70/40-265 AIR INLET R |
| 78124200 | 1 | CYLINDER D25/12-50 |
| 78124300 | 1 | CYLINDER 60/25 X 635 DELTA L |
| 78124600 | 1 | CYLINDER DOUBLE Ø40/20-300 90° |
| 78125100 | 1 | DBL CYL D70/40-320 AIR INLET R |
| 78125300 | 1 | CYL DOB.D70/40-265 AIR INLET L |
| 78125500 | 1 | CYLINDER 60/25 X 662 NAV PAR R |
| 78125600 | 1 | CYLINDER 60/25 X 725 CM PAR R |
| 78125700 | 1 | CYLINDER 60/25 X 635 DELTA R |
| 78126000 | 1 | CYLINDER,DAMPNER, LOCKING |
| 78126400 | 1 | CYLINDER DBLE D32/16-200 W.STP |
| 78128000 | 1 | CYLINDER DOUB. D60/30 L=300 09 |
| 78128800 | 1 | CYLINDER, D50/30-500 |



C161



| parts-n° | order qty | description |
|----------|-----------|--------------------------------|
| 145912 | 1 | BUSHING D19.8/D17.0X7MM |
| 146324 | 1 | SHAFT D16.8 L102/2 X 5 |
| 146587 | 1 | PIN D16.8 X 65 |
| 146835 | 1 | HEX NIPPLE 1/4" - 3/8" BSP |
| 146839 | 1 | HEX NIPPLE 1/4"X3/8" BSP 0.7MM |
| 146845 | 1 | HEX NIPPLE 1/4"X1/4" |
| 146992 | 1 | BUSHING F.CYLINDER |
| 151872 | 1 | BUSHING D22.0/18.0 10MM |
| 163936 | 1 | WASHER D15/D6.2X1 |
| 210728 | 1 | BEARING F.LINK HEAD M17 |
| 210879 | 1 | LINK HEAD M16 x D17 |
| 230963 | 1 | TEE 1/4"M X 1/4"M X 1/4"M BSP |
| 231906 | 1 | HEX NIPPLE 3/8"BSP X 1/2"NPT |
| 231907 | 1 | HEX NIPPLE 1/4"BSP X 1/2"NPT |
| 232175 | 1 | TEE 1/4"M X 1/4"F X 1/4"M BSP |
| 240866 | 1 | DOWTYSEAL 3/8" |
| 241404 | 1 | DOWTYSEAL 1/4" |
| 283699 | 1 | GREASE NIPPLE M6X1 |
| 284265 | 1 | PLUG BREATHER 1/4" F/CYLINDER |
| 284412 | 1 | HOSE HY 3/8" X 315" STR+STR |
| 334206 | 1 | DUST HOOD FOR HY-COUPLING |
| 410362 | 1 | BOLT HEX 8.8 SS M6X20 FT |
| 410583 | 1 | BOLT HEX 8.8 DEL M6X40 |
| 420567 | 1 | BOLT HEX 8.8 DEL M8X30 FT |
| 460143 | 1 | NUT HEX M8 LOCK A2 DIN985 |
| 460261 | 1 | NUT HEX M6X1 LOCK A2 DIN985 |
| 460747 | 1 | NUT HEX M24 LOCK |
| 461198 | 1 | NUT HEX M16X2 JAMB |
| 461249 | 1 | NUT HEX M22X1.5 |
| 480384 | 1 | PIN COTTER 3/16 x 1-1/2" |
| 615654 | 1 | PIN D25 X 123 F. PARALIFT |
| 784001 | 1 | HOSE HY X 1/4 X 067.00"STR+ELB |
| 784019 | 1 | HOSE HY X 1/4 X 078.75"STR+ELB |
| 784076 | 1 | HOSE, HY, 1/4" L=8.5" STR-ELB |
| 784078 | 1 | HOSE HY X 1/4 X 417.33"STR+ELB |
| 10466003 | 1 | COUPLER PIONEER 8010-04 1/2NPT |
| 16100400 | 1 | PLATE 3 X 60 X 91 HY BLOCK MT |
| 28117300 | 1 | SEAL KIT 78120600/07/43 |
| 28449403 | 1 | HOSE HY X1/4X057.08"STR+ELB |
| 61008504 | 1 | MOUNTING BOLT Ø25X98/M24 |
| 72256500 | 1 | DOUB.PILOT STEERED COUNT.VALVE |
| 75075000 | 1 | SEAL KIT 78122600/27/28/29 |
| 78120600 | 1 | CYLINDER 60/25 X 662 NAV PAR L |
| 78122900 | 1 | CYLINDER 40/22X300MM RED |
| 78125500 | 1 | CYLINDER 60/25 X 662 NAV PAR R |





HYDRAULICS EAGLE/FORCE DH
C231-HIN, 03:09:09

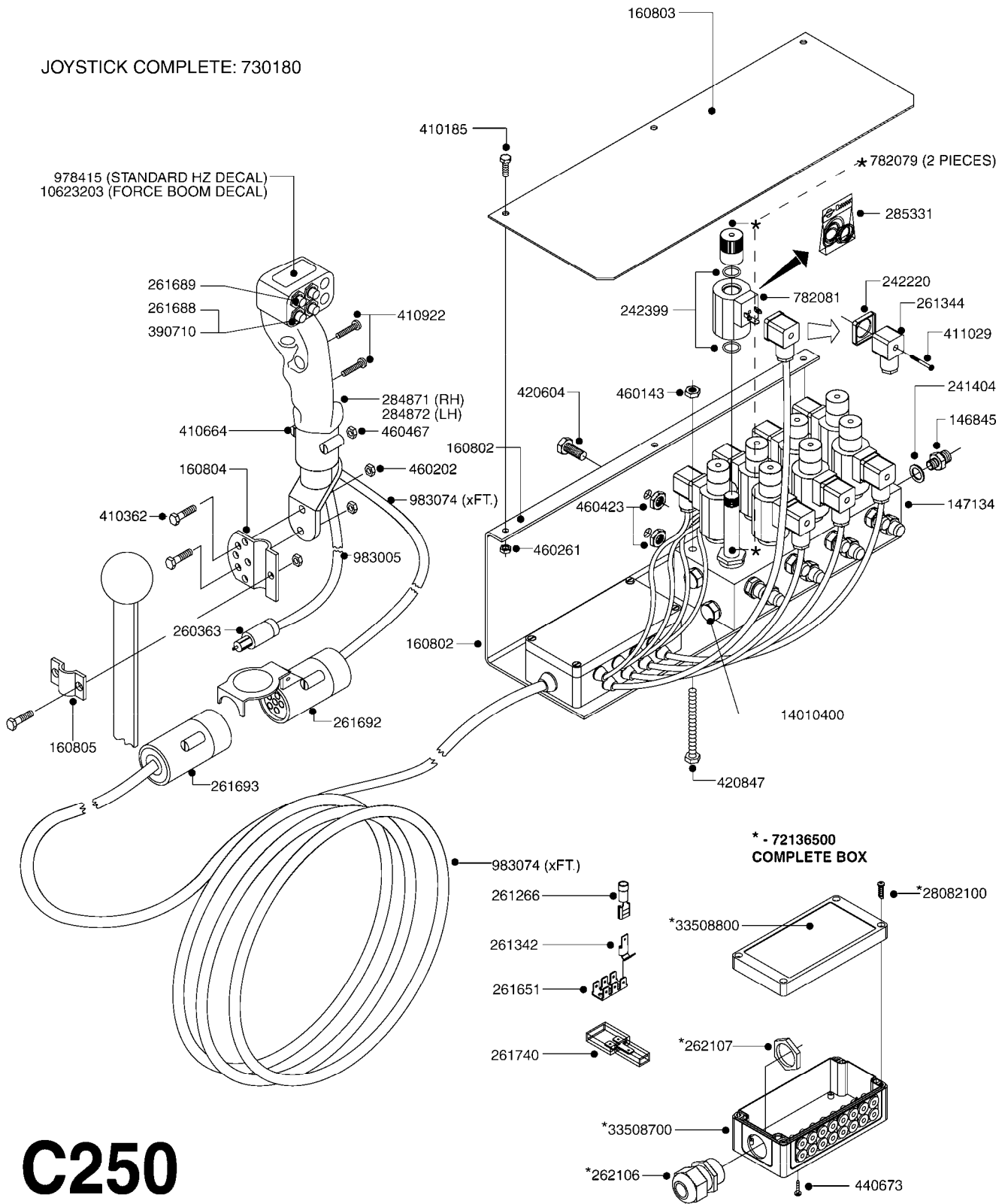
Page 1

Date 06.04.2015 11:26

| parts-n° | order qty | description |
|----------|-----------|--------------------------------|
| 146835 | 1 | HEX NIPPLE 1/4" - 3/8" BSP |
| 161037 | 1 | MOUNT PLATE F.DH VICKERS VALVE |
| 231907 | 1 | HEX NIPPLE 1/4"BSP X 1/2"NPT |
| 232060 | 1 | HY.ELBOW 1/4" BSP SWIVEL |
| 242102 | 1 | O-RING Ø9.25X1.78 NITRIL 90SH |
| 260363 | 1 | PLUG 2 POLE 12V |
| 261692 | 1 | PLUG ELEC.7 POLE FEMALE F.CABL |
| 261693 | 1 | PLUG ELEC. 7 POLE MALE |
| 261741 | 1 | SWITCH 2 POLE 12V TOGGLE PRESS |
| 261753 | 1 | PLUG ELEC.7 POLE FEMALE F.BASE |
| 334206 | 1 | DUST HOOD FOR HY-COUPLING |
| 410922 | 1 | CYL.SKR 8.8 DEL M4X20 RST |
| 411012 | 1 | SCREW M5X30 STAINLESS |
| 420567 | 1 | BOLT HEX 8.8 DEL M8X30 FT |
| 420847 | 1 | BOLT HEX 8.8 DEL M8X85 |
| 450964 | 1 | SCREW M5X30 F.CYLINDER |
| 460143 | 1 | NUT HEX M8 LOCK A2 DIN985 |
| 460261 | 1 | NUT HEX M6X1 LOCK A2 DIN985 |
| 460467 | 1 | NUT HEX M5 GALV. |
| 461145 | 1 | NUT HEX M4 LOCK |
| 471139 | 1 | WASHER D22/D17X1.5 BRASS |
| 729959 | 1 | CONTROL BOX DAH 4-FUNCTION |
| 729977 | 1 | DAH DIRECTIONAL VLV JUNC. BOX |
| 782115 | 1 | HY SOLENOID VALVE DH HYD |
| 782138 | 1 | HY-BLOCK 1-VALVE W LS-PORT |
| 784045 | 1 | HOSE HY X 1/4 X 157.50"STR+STR |
| 784114 | 1 | HOSE HY X 1/4 X 80.7" STR+STR |
| 784139 | 1 | HOSE HY X 1/4 X 216.50"STR+STR |
| 978498 | 1 | DECAL SWITCH BOX DH HYD. |
| 10466003 | 1 | COUPLER PIONEER 8010-04 1/2NPT |
| 10637603 | 1 | DECAL F.SWITCH BOX - FORCE |
| 28180503 | 1 | HOSE HY X1/4X126.00'STR+STR |
| 45000900 | 1 | BOLT ALLEN HEAD M6 X 60 SS |



JOYSTICK COMPLETE: 730180



C250

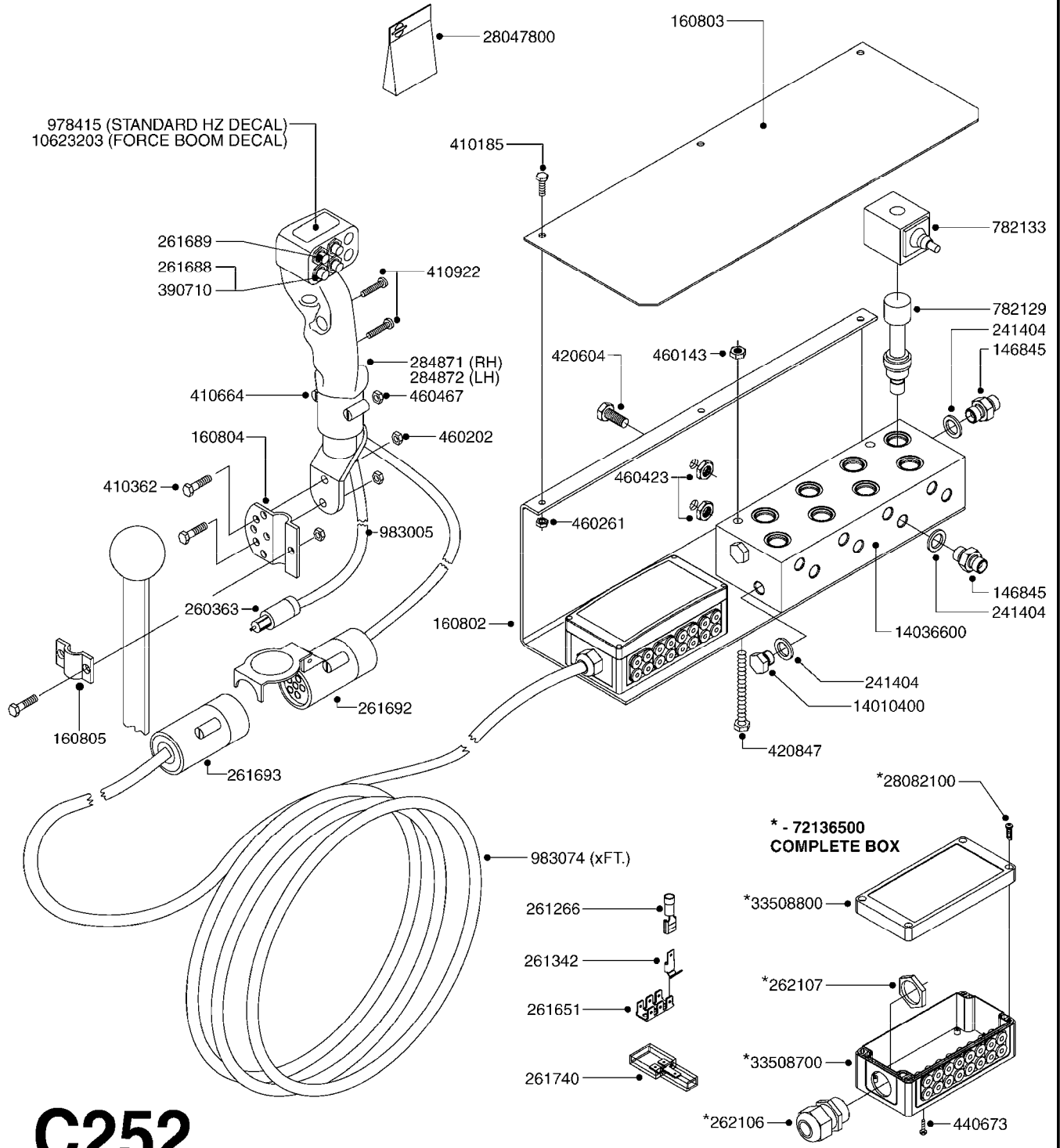


HYD EAGLE HZ JOYSTICK CONTROL
C250-HIN, 14:12:07

Page 1

Date 06.04.2015 11:26

| parts-n° | order qty | description |
|----------|-----------|-----------------------------------|
| 146845 | 1 | HEX NIPPLE 1/4"X1/4" |
| 147134 | 1 | MANIFOLD 4-FUNCTION |
| 160802 | 1 | MOUNT PLATE F.HYD SOLENOID'HZ' |
| 160803 | 1 | COVER PLATE F.HYD SOLENOID'HZ' |
| 160804 | 1 | MOUNT BRACKET F.HANDLE |
| 160805 | 1 | MOUNT STRAP F.HANDLE |
| 241404 | 1 | DOWTYSEAL 1/4" |
| 242220 | 1 | GASKET F. HIRSMANN PLUG |
| 242399 | 1 | O-RING F.HYD SOLENOID VALVE |
| 260363 | 1 | PLUG 2 POLE 12V |
| 261266 | 1 | CONNECTOR END F.CABLE HP |
| 261342 | 1 | SPADE F.ELEC.3 WAY CONNECTOR |
| 261344 | 1 | HIRSCHMANN PLUG B |
| 261651 | 1 | SPADE F.ELEC.6 POLE CONNECTOR |
| 261688 | 1 | SWITCH F. HANDLE WHITE |
| 261689 | 1 | CAP RUBBER F. SWITCH JOYSTICK |
| 261692 | 1 | PLUG ELEC.7 POLE FEMALE F.CABL |
| 261693 | 1 | PLUG ELEC. 7 POLE MALE |
| 261740 | 1 | SPADE F.ELEC.3 POLE CONN.INSUL |
| 262106 | 1 | BULKHEAD F. CABLE 6.5-14 BLACK |
| 262107 | 1 | NUT F. BULKHEAD CABLE BLACK |
| 284871 | 1 | CONTROL HANDLE RIGHT HALF |
| 284872 | 1 | CONTROL HANDLE LEFT HALF |
| 285331 | 1 | SEAL KIT F. HZ HYD.SOLENOID 96 |
| 390710 | 1 | SWITCH F.HANDLE GREY MACHINED |
| 410185 | 1 | BOLT HEX 8.8 DEL M6X16 A2 |
| 410362 | 1 | BOLT HEX 8.8 SS M6X20 FT |
| 410664 | 1 | BOLT HEX M5 X 20 |
| 410922 | 1 | CYL.SKR 8.8 DEL M4X20 RST |
| 411029 | 1 | SCREW M3X35 F.HIRSMANN PLUG |
| 420604 | 1 | BOLT HEX 8.8 DEL M10X25 FT DIN933 |
| 420847 | 1 | BOLT HEX 8.8 DEL M8X85 |
| 440673 | 1 | SCREW F.PLASTIC 5X12 SS |
| 460143 | 1 | NUT HEX M8 LOCK A2 DIN985 |
| 460202 | 1 | NUT HEX M6 |
| 460261 | 1 | NUT HEX M6X1 LOCK A2 DIN985 |
| 460423 | 1 | NUT HEX M10X1.5 LOCK |
| 460467 | 1 | NUT HEX M5 GALV. |
| 730180 | 1 | HYD.KIT JOYSTICK CTRL HANDLE |
| 782079 | 1 | CARTRIDGE VALVE |
| 782081 | 1 | SOLENOID F. CARTRIDGE VALVE |
| 978415 | 1 | DECAL CONTROL HANDLE |
| 983005 | 1 | ELEC. CABLE 2 WIRE X 1.5MM |
| 983074 | 1 | ELEC. CABLE 5 WIRE X 1.5MM |
| 10623203 | 1 | DECAL F.JOYSTICK - FORCE |
| 14010400 | 1 | PLUG 1/4" BSP |
| 28082100 | 1 | SCREW F. BOX LID 1/4" L=20 |
| 33508700 | 1 | BOX 160X80X40 BLACK 1-HOLE |
| 33508800 | 1 | LID 160X80X15 BLK W/SCREWS |
| 72136500 | 1 | UNIV. CONNECTION BOX F. EC |



C252

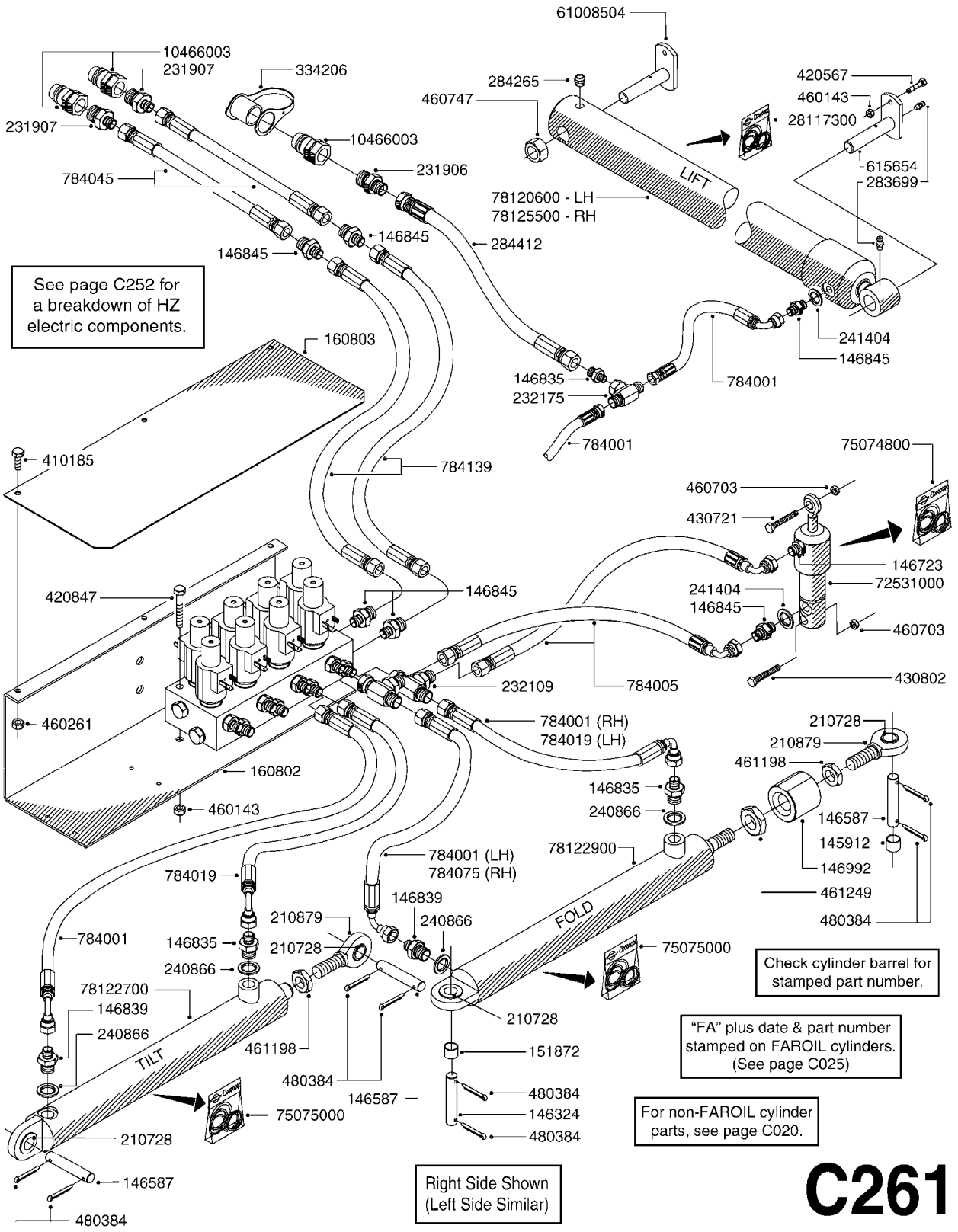


HYD EAGLE HZ JOYSTICK 2005
C252-HIN, 14:12:07

Page 1

Date 06.04.2015 11:26

| parts-n° | order qty | description |
|----------|-----------|-----------------------------------|
| 146845 | 1 | HEX NIPPLE 1/4"X1/4" |
| 160802 | 1 | MOUNT PLATE F.HYD SOLENOID'HZ' |
| 160803 | 1 | COVER PLATE F.HYD SOLENOID'HZ' |
| 160804 | 1 | MOUNT BRACKET F.HANDLE |
| 160805 | 1 | MOUNT STRAP F.HANDLE |
| 241404 | 1 | DOWTYSEAL 1/4" |
| 260363 | 1 | PLUG 2 POLE 12V |
| 261266 | 1 | CONNECTOR END F.CABLE HP |
| 261342 | 1 | SPADE F.ELEC.3 WAY CONNECTOR |
| 261651 | 1 | SPADE F.ELEC.6 POLE CONNECTOR |
| 261688 | 1 | SWITCH F. HANDLE WHITE |
| 261689 | 1 | CAP RUBBER F. SWITCH JOYSTICK |
| 261692 | 1 | PLUG ELEC.7 POLE FEMALE F.CABL |
| 261693 | 1 | PLUG ELEC. 7 POLE MALE |
| 261740 | 1 | SPADE F.ELEC.3 POLE CONN.INSUL |
| 262106 | 1 | BULKHEAD F. CABLE 6.5-14 BLACK |
| 262107 | 1 | NUT F. BULKHEAD CABLE BLACK |
| 284871 | 1 | CONTROL HANDLE RIGHT HALF |
| 284872 | 1 | CONTROL HANDLE LEFT HALF |
| 390710 | 1 | SWITCH F.HANDLE GREY MACHINED |
| 410185 | 1 | BOLT HEX 8.8 DEL M6X16 A2 |
| 410362 | 1 | BOLT HEX 8.8 SS M6X20 FT |
| 410664 | 1 | BOLT HEX M5 X 20 |
| 410922 | 1 | CYL.SKR 8.8 DEL M4X20 RST |
| 420604 | 1 | BOLT HEX 8.8 DEL M10X25 FT DIN933 |
| 420847 | 1 | BOLT HEX 8.8 DEL M8X85 |
| 440673 | 1 | SCREW F.PLASTIC 5X12 SS |
| 460143 | 1 | NUT HEX M8 LOCK A2 DIN985 |
| 460202 | 1 | NUT HEX M6 |
| 460261 | 1 | NUT HEX M6X1 LOCK A2 DIN985 |
| 460423 | 1 | NUT HEX M10X1.5 LOCK |
| 460467 | 1 | NUT HEX M5 GALV. |
| 782129 | 1 | SOLENOID VALVE 25L, 3/4"NC |
| 782133 | 1 | SOLENOID W.CABLE F.VALVE782129 |
| 978415 | 1 | DECAL CONTROL HANDLE |
| 983005 | 1 | ELEC. CABLE 2 WIRE X 1.5MM |
| 983074 | 1 | ELEC. CABLE 5 WIRE X 1.5MM |
| 10623203 | 1 | DECAL F.JOYSTICK - FORCE |
| 14010400 | 1 | PLUG 1/4" BSP |
| 14036600 | 1 | MANIFOLD 4-FUNCTION SPC 2004 |
| 28047800 | 1 | SEAL KIT F.782129 |
| 28082100 | 1 | SCREW F. BOX LID 1/4" L=20 |
| 33508700 | 1 | BOX 160X80X40 BLACK 1-HOLE |
| 33508800 | 1 | LID 160X80X15 BLK W/SCREWS |
| 72136500 | 1 | UNIV. CONNECTION BOX F. EC |



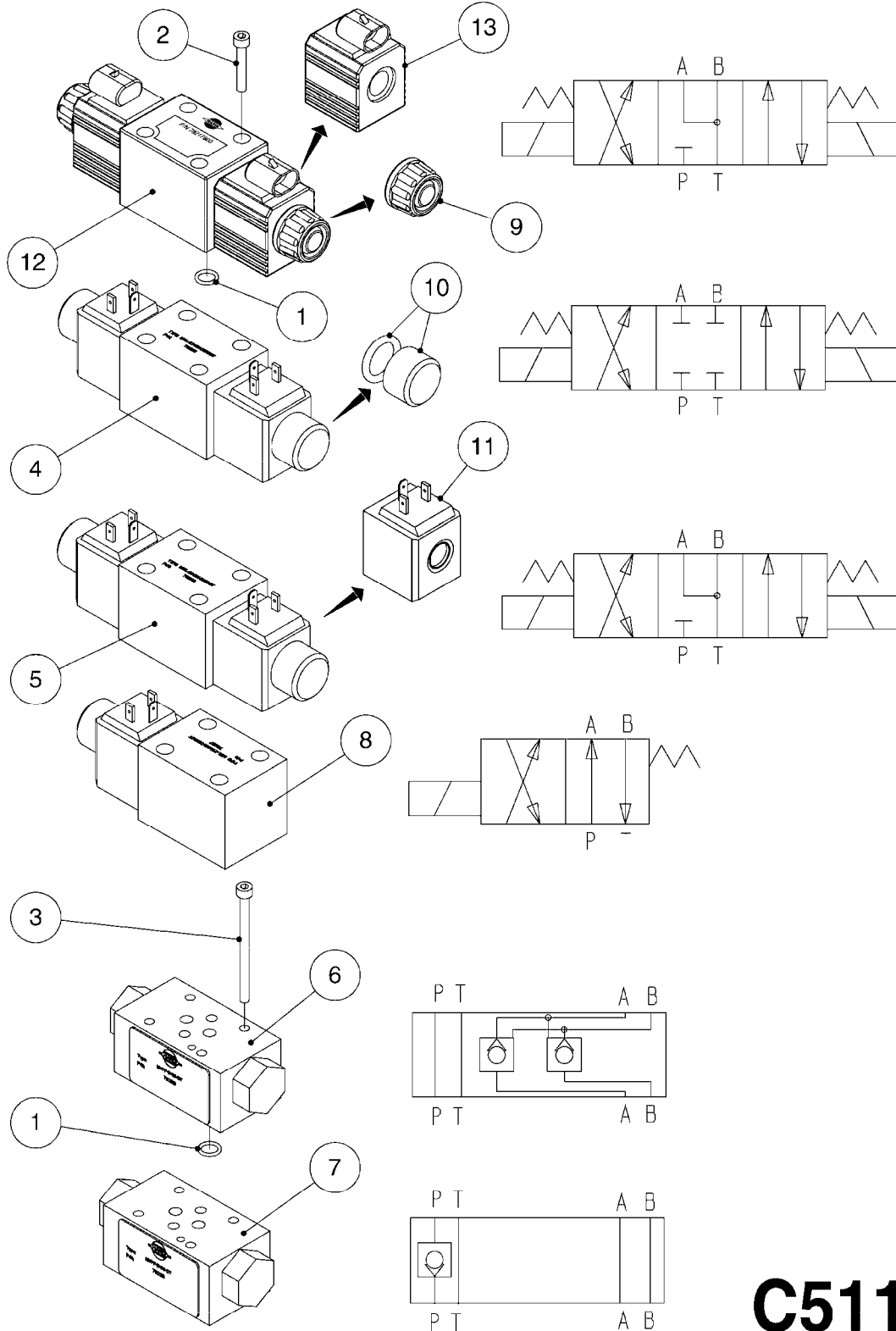
C261



HYD EAGLE HZ SPB 45'-66' - NAV
C261-HIN, 16:08:12

Page 1
Date 06.04.2015 11:26

| parts-n° | order qty | description |
|----------|-----------|--------------------------------|
| 145912 | 1 | BUSHING D19.8/D17.0X7MM |
| 146324 | 1 | SHAFT D16.8 L102/2 X 5 |
| 146587 | 1 | PIN D16.8 X 65 |
| 146723 | 1 | HEX NIPPLE 1/4" - 1/8" BSP |
| 146835 | 1 | HEX NIPPLE 1/4" - 3/8" BSP |
| 146839 | 1 | HEX NIPPLE 1/4"X3/8" BSP 0.7MM |
| 146845 | 1 | HEX NIPPLE 1/4"X1/4" |
| 146992 | 1 | BUSHING F.CYLINDER |
| 151872 | 1 | BUSHING D22.0/18.0 10MM |
| 160802 | 1 | MOUNT PLATE F.HYD SOLENOID'HZ' |
| 160803 | 1 | COVER PLATE F.HYD SOLENOID'HZ' |
| 210728 | 1 | BEARING F.LINK HEAD M17 |
| 210879 | 1 | LINK HEAD M16 x D17 |
| 231906 | 1 | HEX NIPPLE 3/8"BSP X 1/2"NPT |
| 231907 | 1 | HEX NIPPLE 1/4"BSP X 1/2"NPT |
| 232109 | 1 | FITT.HY TEE 1/4'BSP UNION |
| 232175 | 1 | TEE 1/4"M X 1/4"F X 1/4"M BSP |
| 240866 | 1 | DOWTYSEAL 3/8" |
| 241404 | 1 | DOWTYSEAL 1/4" |
| 283699 | 1 | GREASE NIPPLE M6X1 |
| 284265 | 1 | PLUG BREATHER 1/4" F/CYLINDER |
| 284412 | 1 | HOSE HY 3/8" X 315" STR+STR |
| 334206 | 1 | DUST HOOD FOR HY-COUPLING |
| 410185 | 1 | BOLT HEX 8.8 DEL M6X16 A2 |
| 420567 | 1 | BOLT HEX 8.8 DEL M8X30 FT |
| 420847 | 1 | BOLT HEX 8.8 DEL M8X85 |
| 430721 | 1 | BOLT HEX 8.8 DEL M12X40 FT |
| 430802 | 1 | BOLT HEX 8.8 DEL M12X75 |
| 460143 | 1 | NUT HEX M8 LOCK A2 DIN985 |
| 460261 | 1 | NUT HEX M6X1 LOCK A2 DIN985 |
| 460703 | 1 | NUT HEX M12X1.75 LOCK DIN985 |
| 460747 | 1 | NUT HEX M24 LOCK |
| 461198 | 1 | NUT HEX M16X2 JAMB |
| 461249 | 1 | NUT HEX M22X1.5 |
| 480384 | 1 | PIN COTTER 3/16 x 1-1/2" |
| 615654 | 1 | PIN D25 X 123 F. PARALIFT |
| 784001 | 1 | HOSE HY X 1/4 X 067.00"STR+ELB |
| 784005 | 1 | HOSE HY X 1/4 X 037.38"STR+ELB |
| 784019 | 1 | HOSE HY X 1/4 X 078.75"STR+ELB |
| 784045 | 1 | HOSE HY X 1/4 X 157.50"STR+STR |
| 784075 | 1 | HOSE HY X 1/4 X 057.00" |
| 784139 | 1 | HOSE HY X 1/4 X 216.50"STR+STR |
| 10466003 | 1 | COUPLER PIONEER 8010-04 1/2NPT |
| 28117300 | 1 | SEAL KIT 78120600/07/43 |
| 61008504 | 1 | MOUNTING BOLT Ø25X98/M24 |
| 72531000 | 1 | CYL. D25/12-50/78124200 W/FITT |
| 75074800 | 1 | SEAL KIT 78123400/42 |
| 75075000 | 1 | SEAL KIT 78122600/27/28/29 |
| 78120600 | 1 | CYLINDER 60/25 X 662 NAV PAR L |
| 78122700 | 1 | CYLINDER 40/22X300MM RED |
| 78122900 | 1 | CYLINDER 40/22X300MM RED |
| 78125500 | 1 | CYLINDER 60/25 X 662 NAV PAR R |



C511

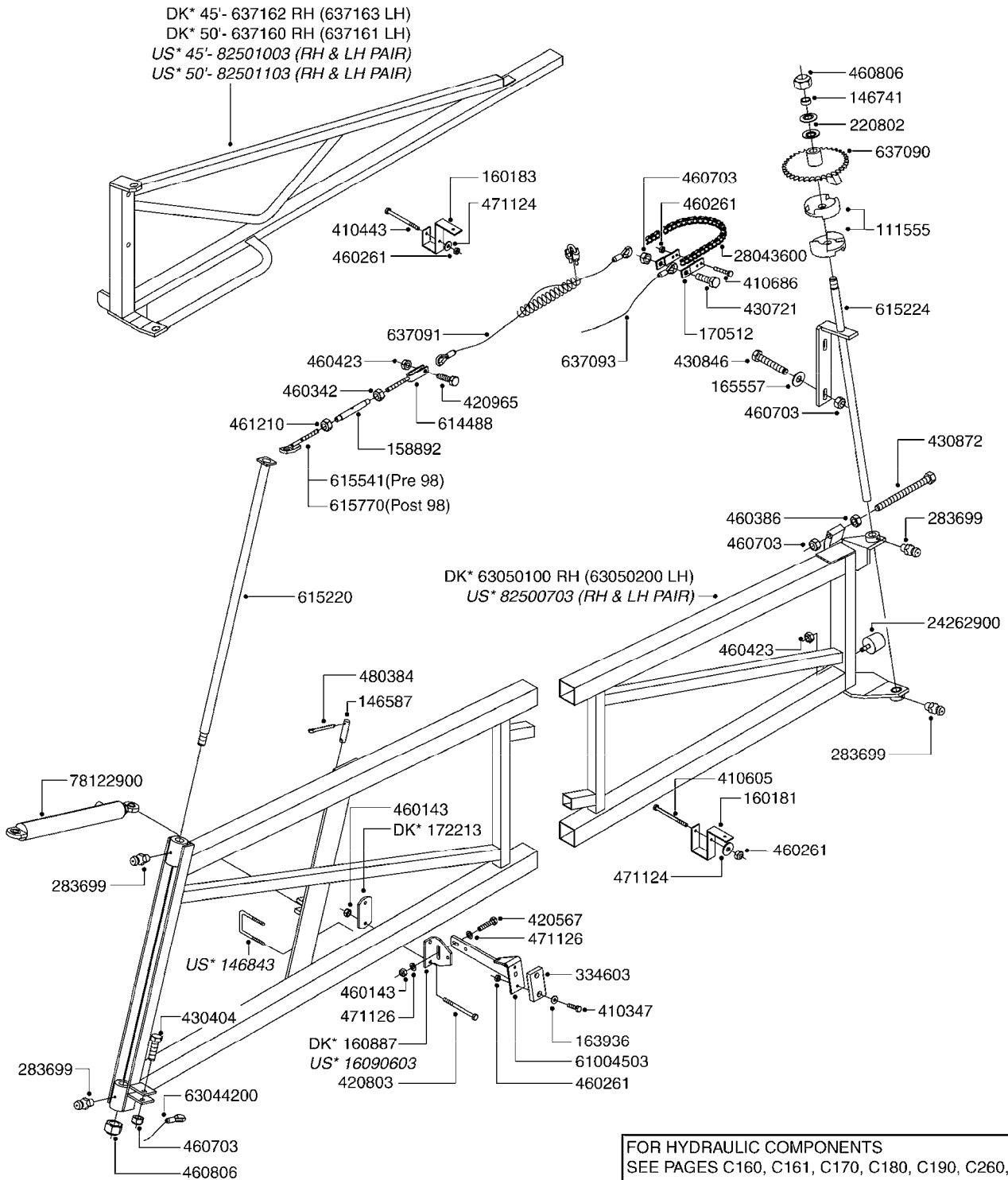


CETOP VALVES
C511-HIN, 30:05:12

Page 1

Date 06.04.2015 11:26

| Pos. | parts-n° | order qty | description |
|------|----------|-----------|--------------------------------|
| 1 | 242102 | 1 | O-RING Ø9.25X1.78 NITRIL 90SH |
| 2 | 450964 | 1 | SCREW M5X30 F.CYLINDER |
| 3 | 450965 | 1 | SCREW ROUND M5X70 |
| 4 | 782115 | 1 | HY SOLENOID VALVE DH HYD |
| 5 | 782116 | 1 | MAGNET VLV.MD1L-S3/10N-D12K1/P |
| 6 | 782118 | 1 | LOCK VALVE MVPP-D |
| 7 | 782146 | 1 | HYD. CHECK VALVE 1 WAY |
| 8 | 782829 | 1 | SOLENOID MD1L-TA/10N-D12K1/DT |
| 9 | 28123700 | 1 | CAP F.SOLENOID - MD1L |
| 10 | 74187700 | 1 | CAP + O-RING F.CETOP - MD1L |
| 11 | 78216000 | 1 | SOLENOID F.CETOP VALVE - MD1L |
| 12 | 78217800 | 1 | MAGNET VLV.MD1L-S3/10N-D12K8DT |
| 13 | 78218200 | 1 | SOLENOID W/AMP F.MD1L |



D290

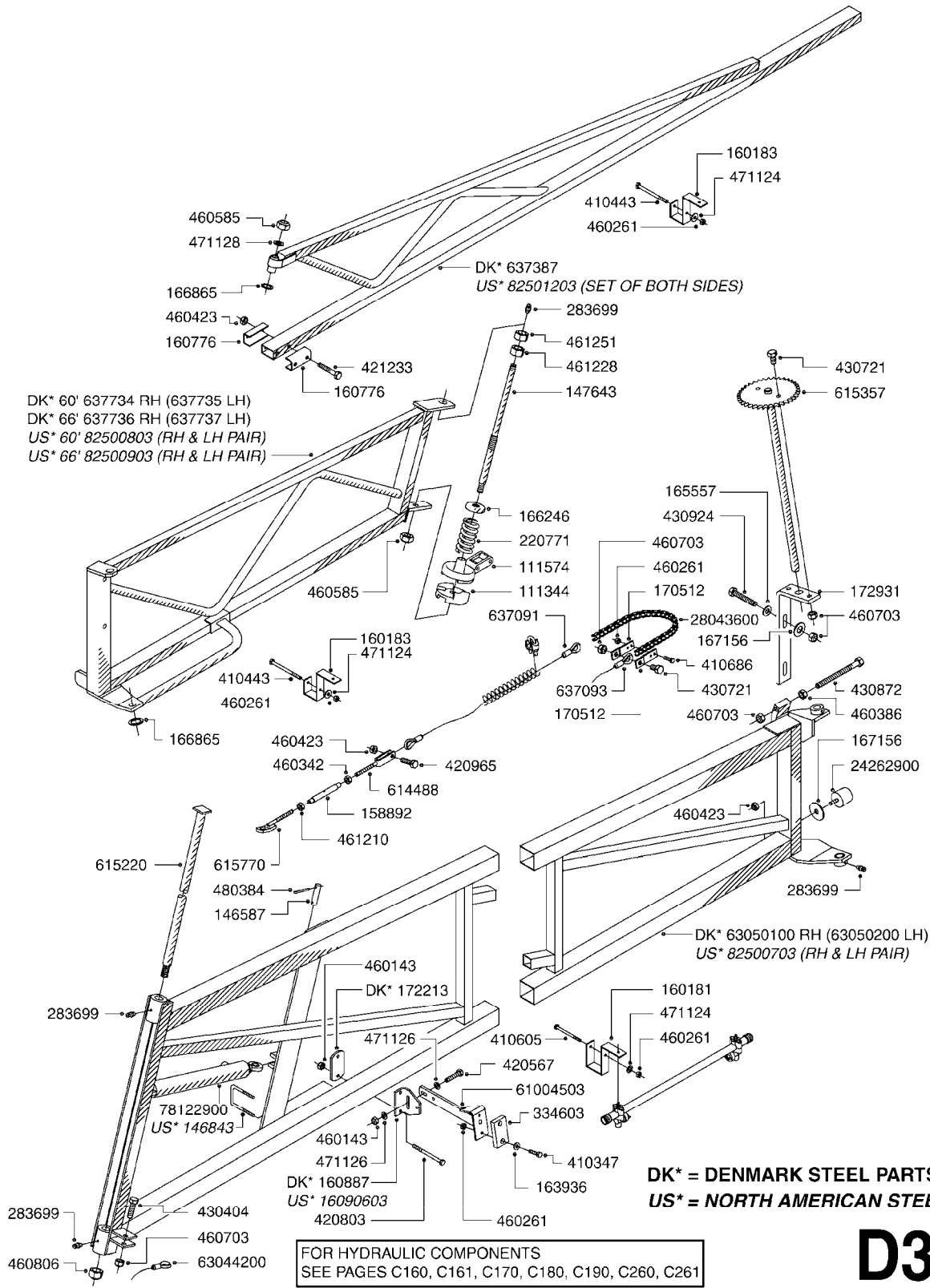
DK* = DENMARK STEEL PARTS
US* = NORTH AMERICAN STEEL PARTS



BOOM EAGLE WINGS 45' 50'
D290-HIN, 16:09:14

Page 1
Date 06.04.2015 11:26

| parts-n° | order qty | description |
|----------|-----------|--------------------------------|
| 111555 | 1 | BREAKAWAY CLUTCH EG. (23MM) |
| 146587 | 1 | PIN D16.8 X 65 |
| 146741 | 1 | BUSHING D28/D22.2X10 |
| 146843 | 1 | BOLT U M8 F.60 x 60 |
| 158892 | 1 | TURN BUCKLE HOUS |
| 160181 | 1 | CLAMP NOZZLE TUBE 60X60 |
| 160183 | 1 | CLAMP NOZZLE TUBE 50X30 |
| 160887 | 1 | PLATE F.EAGLE STOPARM |
| 163936 | 1 | WASHER D15/D6.2X1 |
| 165557 | 1 | WASHER D28.0/D12.2X2.0 SS |
| 170512 | 1 | ASSEMBLY BRACKET FOR CHAIN |
| 172213 | 1 | FLAT BAR F.BOOM STRAP |
| 220802 | 1 | BELLVILLE WASHER D50/D22.4X2 |
| 283699 | 1 | GREASE NIPPLE M6X1 |
| 334603 | 1 | RUBBER STOP 86X48X15 |
| 410347 | 1 | SCREW M6X20 8.8 |
| 410443 | 1 | BOLT HEX 8.8 DEL M6X70 |
| 410605 | 1 | BOLT HEX 8.8 DEL M6X80 |
| 410686 | 1 | BOLT HEX 8.8 DEL M6X30 |
| 420567 | 1 | BOLT HEX 8.8 DEL M8X30 FT |
| 420803 | 1 | BOLT HEX 8.8 DEL M8X90 |
| 420965 | 1 | M10X40 MACHINE SCREW STAINLESS |
| 430404 | 1 | BOLT HEX 8.8 DEL M12X50 |
| 430721 | 1 | BOLT HEX 8.8 DEL M12X40 FT |
| 430846 | 1 | BOLT HEX 8.8 DEL M12X80 |
| 430872 | 1 | BOLT HEX 8.8 DEL M12X100 FT |
| 460143 | 1 | NUT HEX M8 LOCK A2 DIN985 |
| 460261 | 1 | NUT HEX M6X1 LOCK A2 DIN985 |
| 460342 | 1 | NUT HEX M10 DEL DIN934 |
| 460386 | 1 | NUT HEX M12X1.75 |
| 460423 | 1 | NUT HEX M10X1.5 LOCK |
| 460703 | 1 | NUT HEX M12X1.75 LOCK DIN985 |
| 460806 | 1 | NUT HEX M20X2.5 LOCK |
| 461210 | 1 | NUT HEX M10X1.5 L.THREAD |
| 471124 | 1 | WASHER D18/D6.4x1.6 |
| 471126 | 1 | WASHER D16/D8.4X1.6 SS |
| 480384 | 1 | PIN COTTER 3/16 x 1-1/2" |
| 614488 | 1 | FORK/ R.THREAD 10mmX144mm |
| 615220 | 1 | PIN 25 X 910 FOR EAGLE |
| 615224 | 1 | BREAKAWAY SHAFT EAGLE |
| 615541 | 1 | ANCHOR PART TURNBUCKLE EAGLE |
| 615770 | 1 | ANCHOR F.EAGLE CABLE |
| 637090 | 1 | SPROCKET EAGLE |
| 637091 | 1 | CABLE FRONT EAGLE D7X2895 |
| 637093 | 1 | CABLE REAR 5 X 3100MM EAGLE |
| 637160 | 1 | BOOM WING 50' OUTER R. EAGLE |
| 637161 | 1 | BOOM WING 50' OUTER L. EAGLE |
| 637162 | 1 | BOOM WING 45' OUTER R. EAGLE |
| 637163 | 1 | BOOM WING 45' OUTER LEFT EAGLE |
| 16090603 | 1 | BOOM STOP MTG. BKT SPB/C |
| 24262900 | 1 | RUBBER STOP D50X40 M10X33 |
| 28043600 | 1 | CHAIN 5/8X810MM (51 LINKS) |
| 61004503 | 1 | BOOM STOP SPB/SPC |
| 63044200 | 1 | CABLE CENTER EAG. 7mm x 1390mm |
| 63050100 | 1 | WING INNER SPB R.H. 05 |
| 63050200 | 1 | WING INNER SPB L.H. 05 |
| 78122900 | 1 | CYLINDER 40/22X300MM RED |
| 82500703 | 1 | WING INNER SET FPS SPB 45-66' |
| 82501003 | 1 | WING OUTER SET FPS 45' SPB |
| 82501103 | 1 | WING OUTER SET FPS 50' SPB |



DK* = DENMARK STEEL PARTS
US* = NORTH AMERICAN STEEL PARTS

FOR HYDRAULIC COMPONENTS
SEE PAGES C160, C161, C170, C180, C190, C260, C261

D300



BOOM EAGLE WINGS 60' 66'
D300-HIN, 16:09:14

Page 1
Date 06.04.2015 11:26

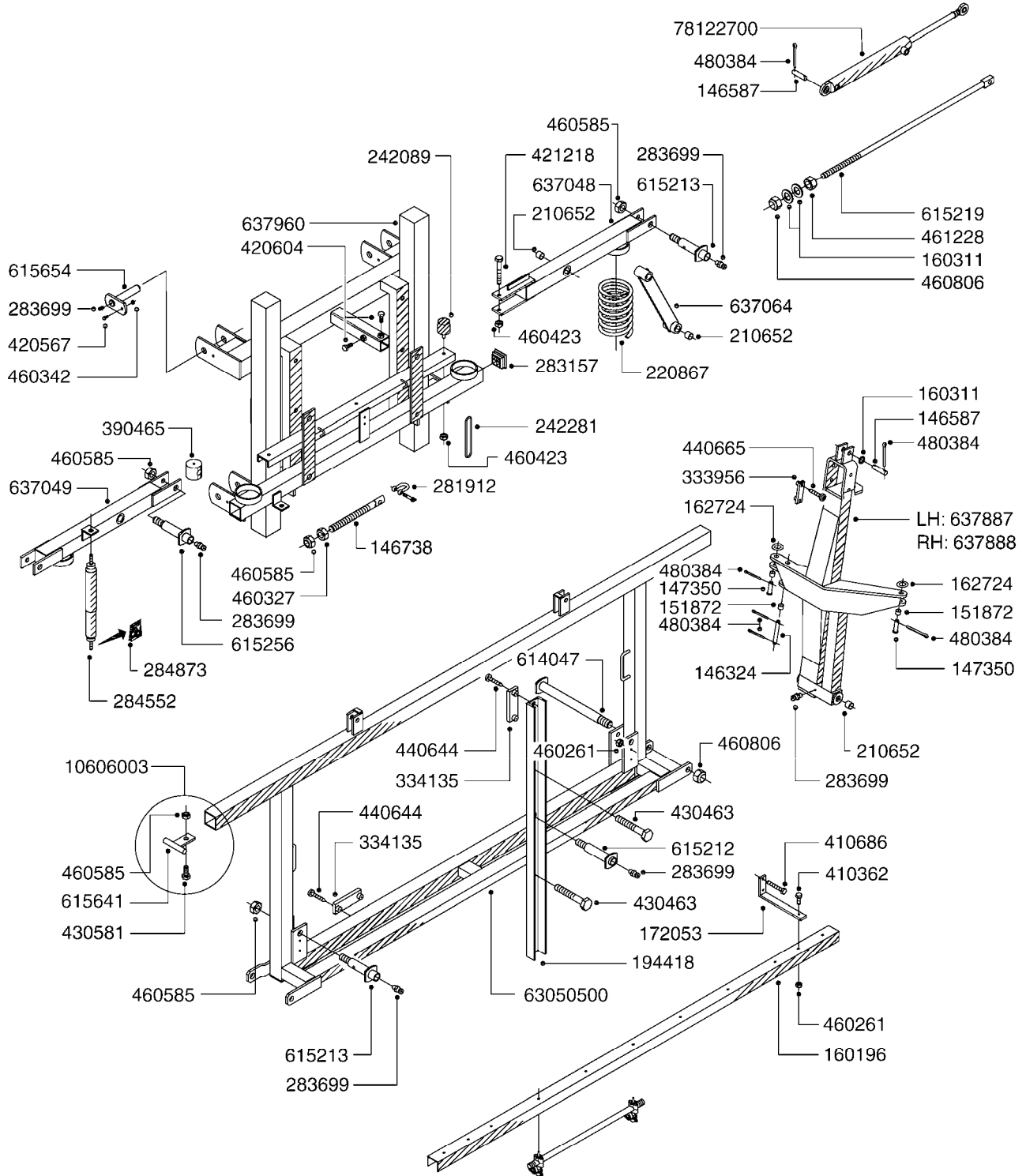
| parts-n° | order qty | description |
|----------|-----------|---------------------------------|
| 111344 | 1 | CLAW CLUTCH LOWER (21MM) |
| 111574 | 1 | CLAW CLUTCH D100 UP. (MACH) |
| 146587 | 1 | PIN D16.8 X 65 |
| 146843 | 1 | BOLT U M8 F.60 x 60 |
| 147643 | 1 | AXLE F.BM BRKWKY. W. ZERT L=426 |
| 158892 | 1 | TURN BUCKLE HOUS |
| 160181 | 1 | CLAMP NOZZLE TUBE 60X60 |
| 160183 | 1 | CLAMP NOZZLE TUBE 50X30 |
| 160776 | 1 | U-CHANNEL F.3PT. |
| 160887 | 1 | PLATE F.EAGLE STOPARM |
| 163936 | 1 | WASHER D15/D6.2X1 |
| 165557 | 1 | WASHER D28.0/D12.2X2.0 SS |
| 166246 | 1 | WASHER CUP D53 F.SPRING |
| 166865 | 1 | WASHER D35/D25X2 |
| 167156 | 1 | WASHER D46.5/D12.4X2.5 |
| 170512 | 1 | ASSEMBLY BRACKET FOR CHAIN |
| 172213 | 1 | FLAT BAR F.Boom STRAP |
| 172931 | 1 | FLAT STEEL 15X50 |
| 220771 | 1 | SPRING D53/D43X100 |
| 283699 | 1 | GREASE NIPPLE M6X1 |
| 334603 | 1 | RUBBER STOP 86X48X15 |
| 410347 | 1 | SCREW M6X20 8.8 |
| 410443 | 1 | BOLT HEX 8.8 DEL M6X70 |
| 410605 | 1 | BOLT HEX 8.8 DEL M6X80 |
| 410686 | 1 | BOLT HEX 8.8 DEL M6X30 |
| 420567 | 1 | BOLT HEX 8.8 DEL M8X30 FT |
| 420803 | 1 | BOLT HEX 8.8 DEL M8X90 |
| 420965 | 1 | M10X40 MACHINE SCREW STAINLESS |
| 421233 | 1 | BOLT HEX 8.8 10.9 DEL M10X70 |
| 430404 | 1 | BOLT HEX 8.8 DEL M12X50 |
| 430721 | 1 | BOLT HEX 8.8 DEL M12X40 FT |
| 430872 | 1 | BOLT HEX 8.8 DEL M12X100 FT |
| 430924 | 1 | BOLT HEX 8.8 DEL M12 X 85 |
| 460143 | 1 | NUT HEX M8 LOCK A2 DIN985 |
| 460261 | 1 | NUT HEX M6X1 LOCK A2 DIN985 |
| 460342 | 1 | NUT HEX M10 DEL DIN934 |
| 460386 | 1 | NUT HEX M12X1.75 |
| 460423 | 1 | NUT HEX M10X1.5 LOCK |
| 460585 | 1 | NUT HEX M16X2 LOCK |
| 460703 | 1 | NUT HEX M12X1.75 LOCK DIN985 |
| 460806 | 1 | NUT HEX M20X2.5 LOCK |
| 461210 | 1 | NUT HEX M10X1.5 L.THREAD |
| 461228 | 1 | NUT HEX M20 |
| 461251 | 1 | NUT HEX M20 X 2.5 JAMB |
| 471124 | 1 | WASHER D18/D6.4x1.6 |
| 471126 | 1 | WASHER D16/D8.4X1.6 SS |
| 471128 | 1 | WASHER D30/D17X3 |
| 480384 | 1 | PIN COTTER 3/16 x 1-1/2" |
| 614488 | 1 | FORK/ R.THREAD 10mmX144mm |
| 615220 | 1 | PIN 25 X 910 FOR EAGLE |
| 615357 | 1 | SHAFT W.SPROCKET EAGLE 60'3PT |
| 615770 | 1 | ANCHOR F.EAGLE CABLE |
| 637091 | 1 | CABLE FRONT EAGLE D7X2895 |
| 637093 | 1 | CABLE REAR 5 X 3100MM EAGLE |
| 637387 | 1 | BOOM WING BRKWAY E. 60-90' |
| 637734 | 1 | BOOM WING OUT. 60'R.EAG 97 |
| 637735 | 1 | BOOM WING OUT. 60'L.EAG 97 |
| 637736 | 1 | BOOM WING OUT. 66'R.EAG 97 |
| 637737 | 1 | BOOM WING OUT. 66'L.EAG 97 |
| 16090603 | 1 | BOOM STOP MTG. BKT SPB/C |
| 24262900 | 1 | RUBBER STOP D50X40 M10X33 |



BOOM EAGLE WINGS 60' 66'
D300-HIN, 16:09:14

Page 2
Date 06.04.2015 11:26

| parts-n° | order qty | description |
|----------|-----------|--------------------------------|
| 28043600 | 1 | CHAIN 5/8X810MM (51 LINKS) |
| 61004503 | 1 | BOOM STOP SPB/SPC |
| 63044200 | 1 | CABLE CENTER EAG. 7mm x 1390mm |
| 63050100 | 1 | WING INNER SPB R.H. 05 |
| 63050200 | 1 | WING INNER SPB L.H. 05 |
| 78122900 | 1 | CYLINDER 40/22X300MM RED |
| 82500703 | 1 | WING INNER SET FPS SPB 45-66' |
| 82500803 | 1 | WING OUTER SET FPS 60' SPB |
| 82500903 | 1 | WING OUTER SET FPS 66' SPB |
| 82501203 | 1 | BREAKAWAY SET FPS 60-66' SPB |



DENMARK STEEL PARTS SHOWN ON THIS PAGE
FOR NORTH AMERICAN STEEL PARTS, SEE PAGE D321

D320

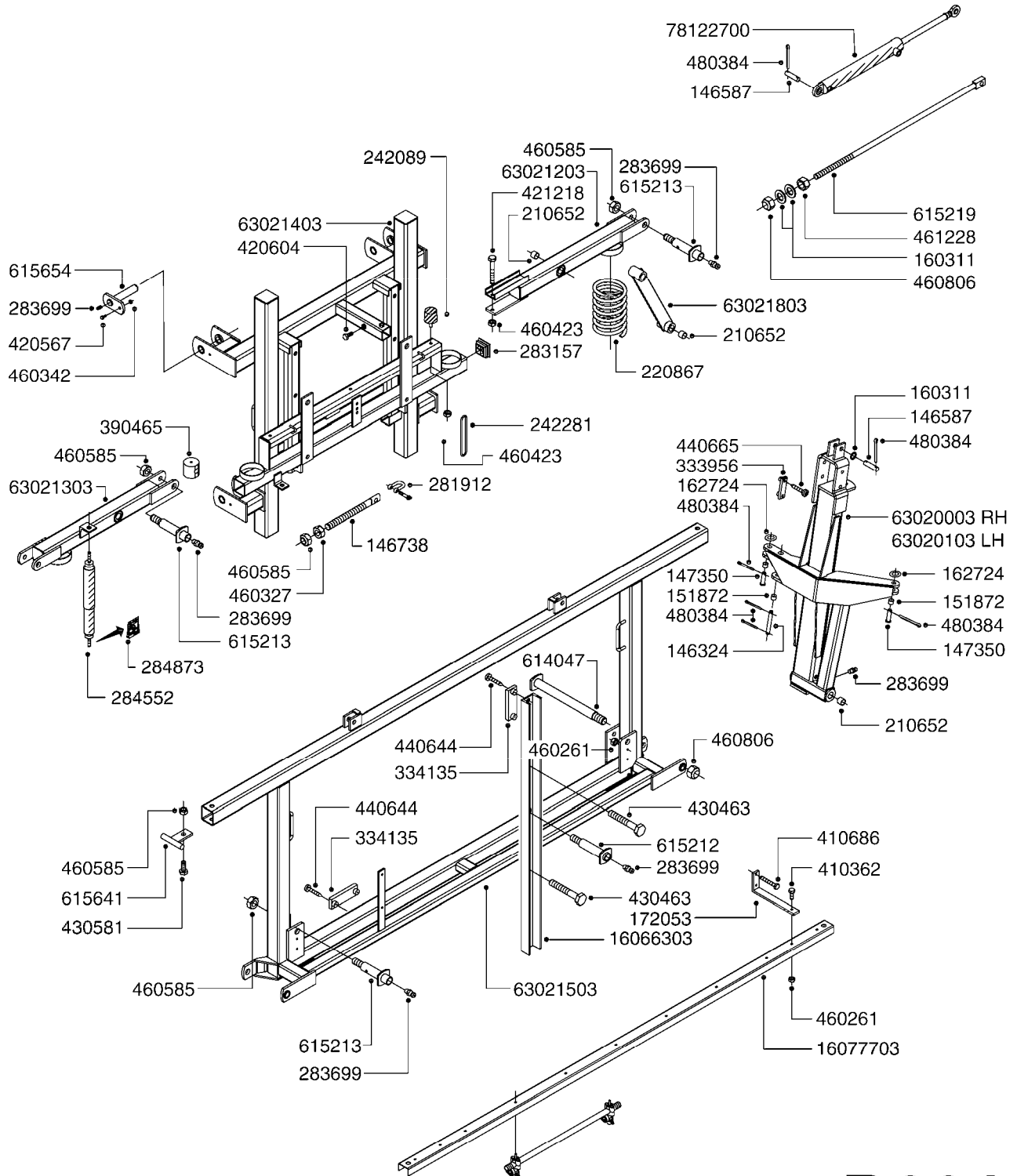


BOOM COMMANDER CENTER 45-66'DK
D320-HIN, 01:11:12

Page 1

Date 06.04.2015 11:26

| parts-n° | order qty | description |
|----------|-----------|-----------------------------------|
| 146324 | 1 | SHAFT D16.8 L102/2 X 5 |
| 146587 | 1 | PIN D16.8 X 65 |
| 146738 | 1 | PIN FOR CENTER CABLE EAGLE |
| 147350 | 1 | PIN D16.8 L60MM |
| 151872 | 1 | BUSHING D22.0/18.0 10MM |
| 160196 | 1 | NOZZLE TRACK EAGLE |
| 160311 | 1 | WASHER D30/D20.4X2 |
| 162724 | 1 | WASHER D25/D18.1X1 |
| 172053 | 1 | NOZZLE TRACK HOLDER |
| 194418 | 1 | U CHANNEL 65 X 1175 CENTER EAG |
| 210652 | 1 | BUSHING TEFLON D25/D22X20 |
| 220867 | 1 | SPRING 134/14/320 EAGLE 60/66' |
| 242089 | 1 | RUBBER STOP D50X40 M10 |
| 242281 | 1 | RUBBER BAND OVAL 180MM |
| 281912 | 1 | GRILLETE M-10 INOX.480 KG |
| 283157 | 1 | PLUG F.DRAIN 60X60X4 |
| 283699 | 1 | GREASE NIPPLE M6X1 |
| 284552 | 1 | SHOCK ABSORBER F.EAGLE BOOM |
| 284873 | 1 | KIT F.SHOCK ABSORBER HDW.EAG. |
| 333956 | 1 | SLIDE SHOE 91X25X10 |
| 334135 | 1 | SLIDE SHOE 140X45X15 |
| 390465 | 1 | JOINER BLOCK TRAPEEZE EAGLE |
| 410362 | 1 | BOLT HEX 8.8 SS M6X20 FT |
| 410686 | 1 | BOLT HEX 8.8 DEL M6X30 |
| 420567 | 1 | BOLT HEX 8.8 DEL M8X30 FT |
| 420604 | 1 | BOLT HEX 8.8 DEL M10X25 FT DIN933 |
| 421218 | 1 | BOLT HEX 8.8 DEL M10X90 |
| 430463 | 1 | BOLT HEX 8.8 DEL M16X110 |
| 430581 | 1 | BOLT HEX 8.8 DEL M16X40 FT |
| 440644 | 1 | SCREW NO.10 5/8" |
| 440665 | 1 | SCREW M4.2X16 STAINLESS |
| 460261 | 1 | NUT HEX M6X1 LOCK A2 DIN985 |
| 460327 | 1 | NUT HEX M16X2 |
| 460342 | 1 | NUT HEX M10 DEL DIN934 |
| 460423 | 1 | NUT HEX M10X1.5 LOCK |
| 460585 | 1 | NUT HEX M16X2 LOCK |
| 460806 | 1 | NUT HEX M20X2.5 LOCK |
| 461228 | 1 | NUT HEX M20 |
| 480384 | 1 | PIN COTTER 3/16 x 1-1/2" |
| 614047 | 1 | PIN D22 X 243 HINGE EAGLE |
| 615212 | 1 | PIN D22 X 84 LUBED F.EAGLE |
| 615213 | 1 | PIN D22 X 70 LUBED F.EAGLE |
| 615219 | 1 | TILT CYL.REPLACEMENT EAGLE |
| 615256 | 1 | PIN 22 X 70 SHORT THREA. EAGLE |
| 615641 | 1 | SAFETY BAR F.WNG TLT 45-66' |
| 615654 | 1 | PIN D25 X 123 F. PARALIFT |
| 637048 | 1 | SUSP.ARM RIGHT EAGLE |
| 637049 | 1 | SUSP.ARM LEFT EAGLE |
| 637064 | 1 | TRAPEEZE ARM EAGLE 45'-66' |
| 637887 | 1 | HINGE EAGLE LH 45'-66' '97 |
| 637888 | 1 | HINGE EAGLE RH 45'-66' '97 |
| 637960 | 1 | CENTER LIFT FRAME EAG CM45-66' |
| 10606003 | 1 | KIT F.TILT STOP 45'-66' EAGLE |
| 63050500 | 1 | CENTER FRAME SPB 05 |
| 78122700 | 1 | CYLINDER 40/22X300MM RED |



**NORTH AMERICAN STEEL PARTS SHOWN ON THIS PAGE
FOR DENMARK STEEL PARTS, SEE PAGE D320**

D321

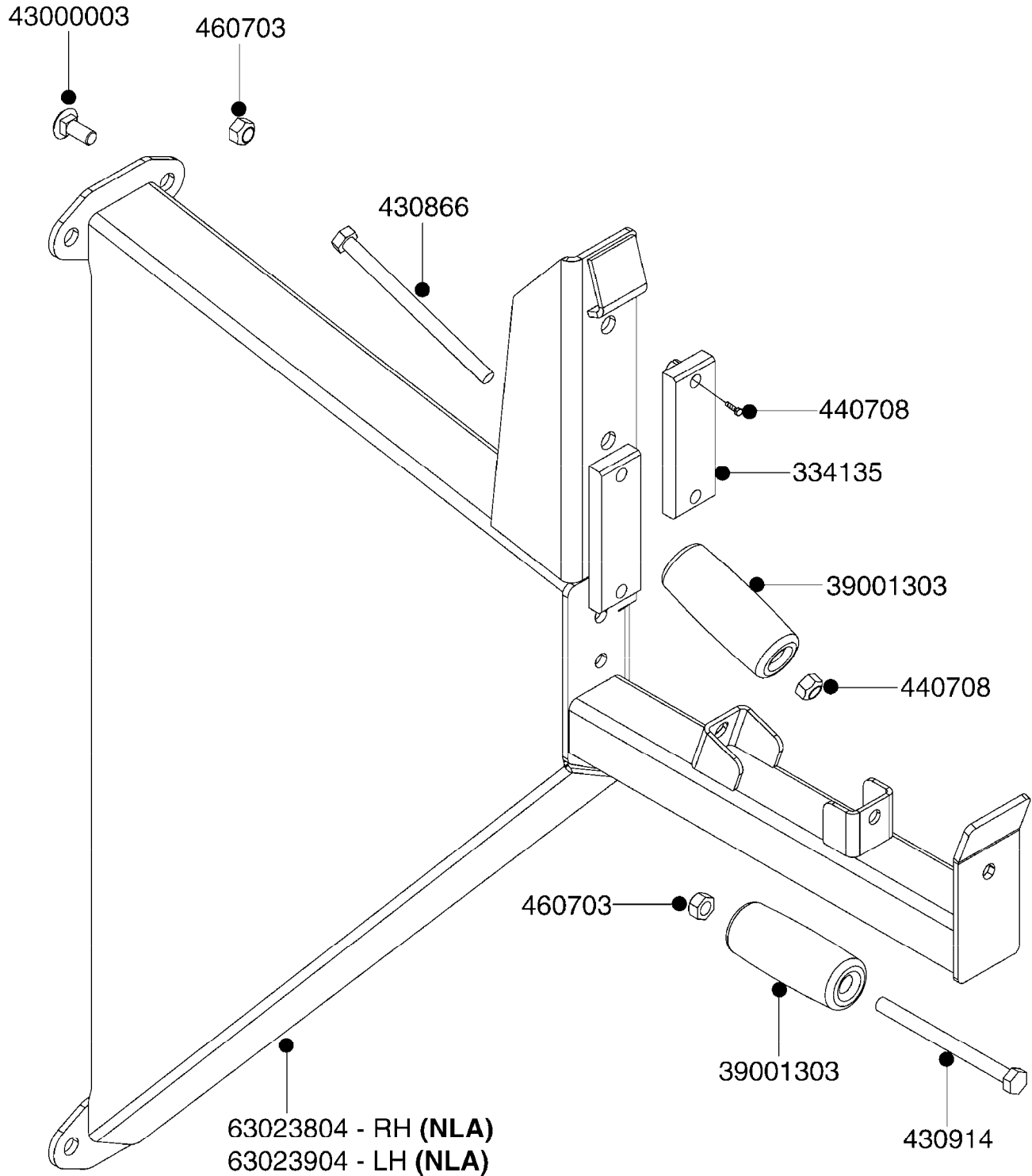


BOOM COMMANDER CENTER 45-66'US
D321-HIN, 01:11:12

Page 1

Date 06.04.2015 11:26

| parts-n° | order qty | description |
|----------|-----------|-----------------------------------|
| 146324 | 1 | SHAFT D16.8 L102/2 X 5 |
| 146587 | 1 | PIN D16.8 X 65 |
| 146738 | 1 | PIN FOR CENTER CABLE EAGLE |
| 147350 | 1 | PIN D16.8 L60MM |
| 151872 | 1 | BUSHING D22.0/18.0 10MM |
| 160311 | 1 | WASHER D30/D20.4X2 |
| 162724 | 1 | WASHER D25/D18.1X1 |
| 172053 | 1 | NOZZLE TRACK HOLDER |
| 210652 | 1 | BUSHING TEFLON D25/D22X20 |
| 220867 | 1 | SPRING 134/14/320 EAGLE 60/66' |
| 242089 | 1 | RUBBER STOP D50X40 M10 |
| 242281 | 1 | RUBBER BAND OVAL 180MM |
| 281912 | 1 | GRILLETE M-10 INOX.480 KG |
| 283157 | 1 | PLUG F.DRAIN 60X60X4 |
| 283699 | 1 | GREASE NIPPLE M6X1 |
| 284552 | 1 | SHOCK ABSORBER F.EAGLE BOOM |
| 284873 | 1 | KIT F.SHOCK ABSORBER HDW.EAG. |
| 333956 | 1 | SLIDE SHOE 91X25X10 |
| 334135 | 1 | SLIDE SHOE 140X45X15 |
| 390465 | 1 | JOINER BLOCK TRAPEEZE EAGLE |
| 410362 | 1 | BOLT HEX 8.8 SS M6X20 FT |
| 410686 | 1 | BOLT HEX 8.8 DEL M6X30 |
| 420567 | 1 | BOLT HEX 8.8 DEL M8X30 FT |
| 420604 | 1 | BOLT HEX 8.8 DEL M10X25 FT DIN933 |
| 421218 | 1 | BOLT HEX 8.8 DEL M10X90 |
| 430463 | 1 | BOLT HEX 8.8 DEL M16X110 |
| 430581 | 1 | BOLT HEX 8.8 DEL M16X40 FT |
| 440644 | 1 | SCREW NO.10 5/8" |
| 440665 | 1 | SCREW M4.2X16 STAINLESS |
| 460261 | 1 | NUT HEX M6X1 LOCK A2 DIN985 |
| 460327 | 1 | NUT HEX M16X2 |
| 460342 | 1 | NUT HEX M10 DEL DIN934 |
| 460423 | 1 | NUT HEX M10X1.5 LOCK |
| 460585 | 1 | NUT HEX M16X2 LOCK |
| 460806 | 1 | NUT HEX M20X2.5 LOCK |
| 461228 | 1 | NUT HEX M20 |
| 480384 | 1 | PIN COTTER 3/16 x 1-1/2" |
| 614047 | 1 | PIN D22 X 243 HINGE EAGLE |
| 615212 | 1 | PIN D22 X 84 LUBED F.EAGLE |
| 615213 | 1 | PIN D22 X 70 LUBED F.EAGLE |
| 615219 | 1 | TILT CYL.REPLACEMENT EAGLE |
| 615641 | 1 | SAFETY BAR F.WNG TLT 45-66' |
| 615654 | 1 | PIN D25 X 123 F. PARALIFT |
| 16066303 | 1 | U-CHANNEL F. CENTER SPB |
| 16077703 | 1 | CENTER TRACK SPB |
| 63020003 | 1 | HINGE 45'-66' RH / SPB |
| 63020103 | 1 | HINGE 45'-66' LH / SPB |
| 63021203 | 1 | TRAPEZE ARM R.H. SPB |
| 63021303 | 1 | TRAPEZE ARM L.H. SPB |
| 63021403 | 1 | PARA-LIFT LIFT CENTER SPB |
| 63021503 | 1 | CENTER FRAME SPB |
| 63021803 | 1 | TRAPEZE ARM SPB |
| 78122700 | 1 | CYLINDER 40/22X300MM RED |



D401

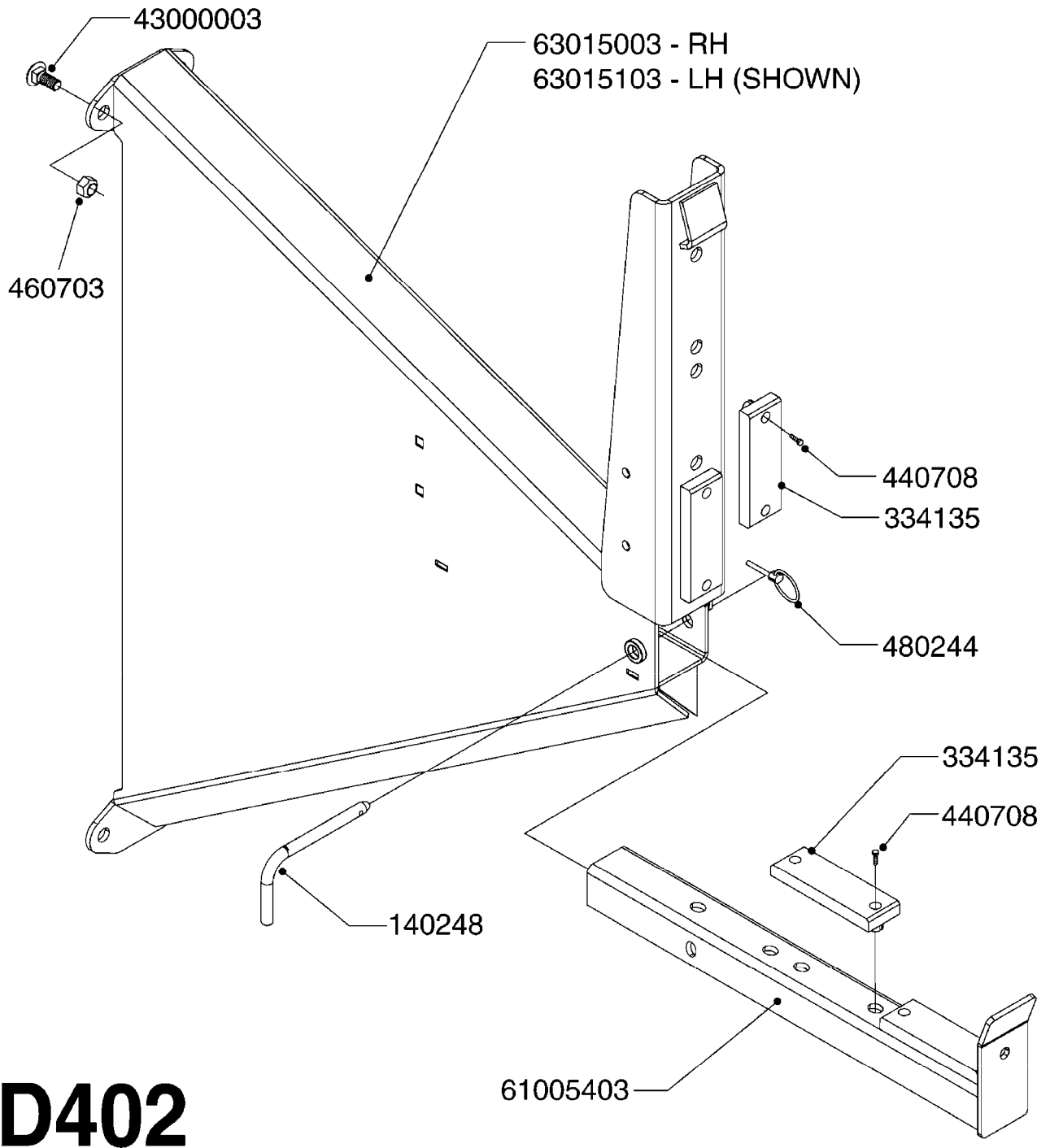


TRANS.BRKTS-SPB NEW NAV PRE03
D401-HIN, 01:01:01

Page 1

Date 06.04.2015 11:26

| parts-n° | order qty | description |
|----------|-----------|-------------------------------|
| 334135 | 1 | SLIDE SHOE 140X45X15 |
| 39001303 | 1 | TRANSPORT ROLLER |
| 43000003 | 1 | BOLT HEX 8.8 CARRIAGE M12x40 |
| 430866 | 1 | BOLT HEX 8.8 DEL M12X170 |
| 430914 | 1 | BOLT HEX 8.8 DEL M12X150 |
| 440708 | 1 | SCREW M5.5X16 SELF TAPPING SS |
| 460703 | 1 | NUT HEX M12X1.75 LOCK DIN985 |
| 63023804 | 1 | TRANSPORT SPC RH |
| 63023904 | 1 | TRANSPORT SPC LH |



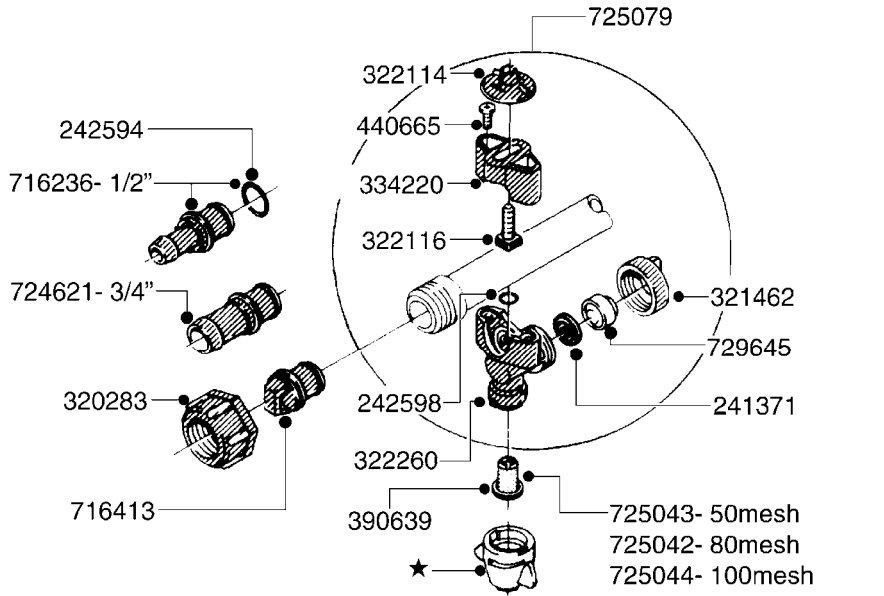
D402



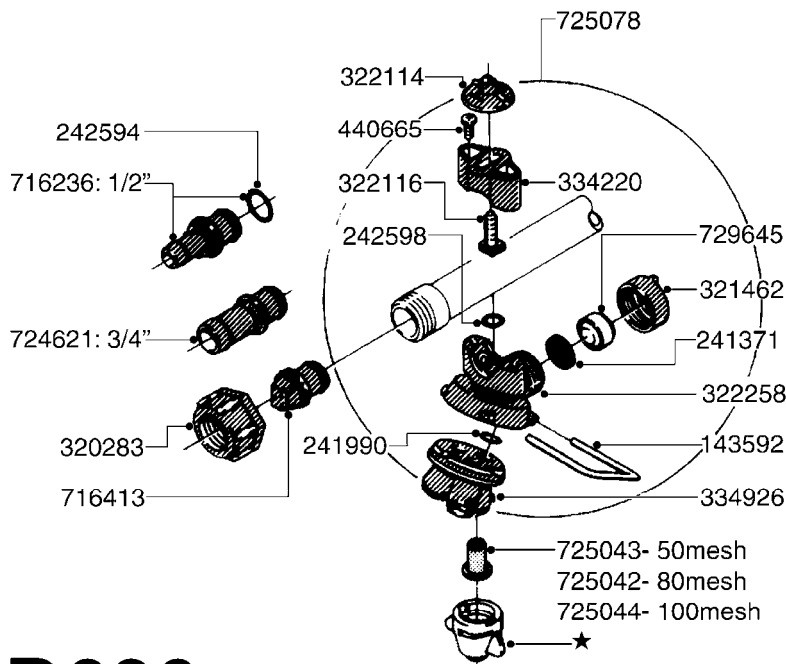
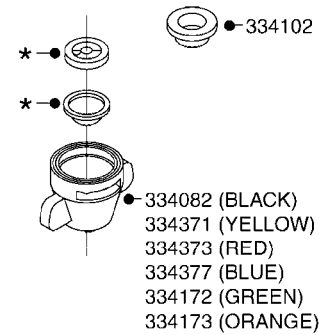
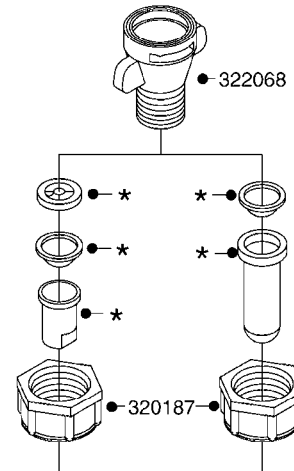
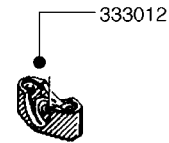
TRANS.BKTS SPB/C NEW NAV 03
D402-HIN, 01:01:01

Page 1
Date 06.04.2015 11:26

| parts-n° | order qty | description |
|----------|-----------|--------------------------------|
| 140248 | 1 | PIN DIAM. 12 L=135 |
| 334135 | 1 | SLIDE SHOE 140X45X15 |
| 440708 | 1 | SCREW M5.5X16 SELF TAPPING SS |
| 460703 | 1 | NUT HEX M12X1.75 LOCK DIN985 |
| 480244 | 1 | PIN SNAP D4.5 |
| 43000003 | 1 | BOLT HEX 8.8 CARRIAGE M12x40 |
| 61005403 | 1 | TRANSPORT TUBE N. NAV. SPB/C |
| 63015003 | 1 | TRANSPORT BKT N. NAV. SPB/C RH |
| 63015103 | 1 | TRANSPORT BKT N. NAV. SPB/C LH |



SINGLE NOZZLE BODY



TRIPLET NOZZLE BODY

D620

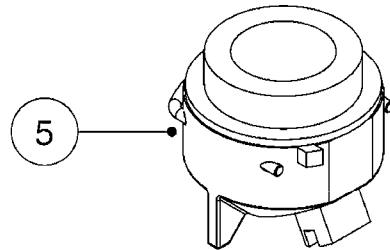
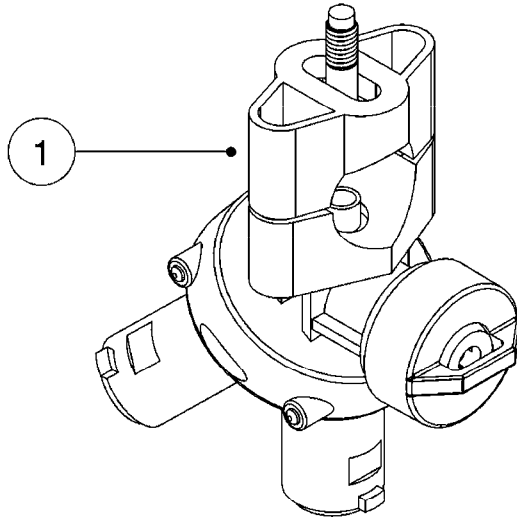
*=REFER TO HARDI NOZZLE CATALOG



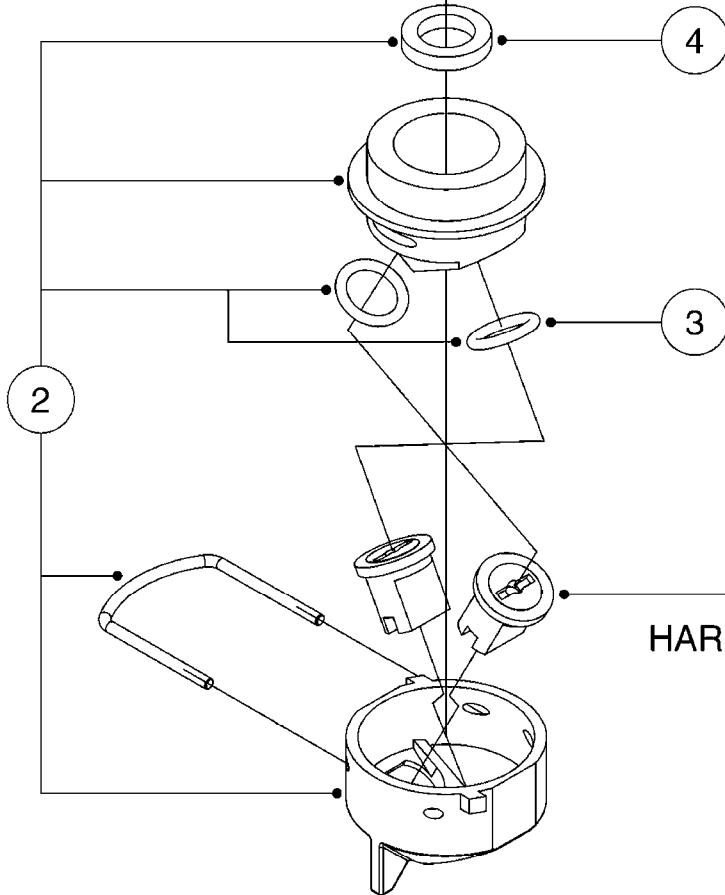
NOZZLE BODIES-SNAP FIT
D620-HIN, 18:03:10

Page 1
Date 06.04.2015 11:26

| parts-n° | order qty | description |
|----------|-----------|--------------------------------|
| 143592 | 1 | LOCK CLAMP FOR TRIPLET |
| 241371 | 1 | DIAPHRAGM, NO-DRIP alt 241371 |
| 241990 | 1 | O-RING D9.3 X 2.4 VITON |
| 242594 | 1 | O-RING D14 X 1.78 SCH.70-EPDM |
| 242598 | 1 | O-RING D7.0 X 2.5 NITRIL |
| 320187 | 1 | FITT.DK CAP 3/8" BSP BLACK |
| 320283 | 1 | FITT.DK NUT 3/4"BSP |
| 321462 | 1 | CAP F.NO-DRIP ASSY. |
| 322068 | 1 | SNAP-FIT ADAPTER THREAD. HARDI |
| 322114 | 1 | NUT PLASTIC F.NOZZ.H |
| 322116 | 1 | BOLT PLASTIC F.NOZZ.H. |
| 322258 | 1 | HOUSING F.TRIPLET |
| 322260 | 1 | NOZZLE HOLDER LOWER PART |
| 333012 | 1 | NOZZLE HOLD. UPPER PART |
| 334082 | 1 | SNAP-FIT NOZZ.HOLD.CONE BLACK |
| 334102 | 1 | BLANK F.NOZZLE |
| 334172 | 1 | SNAP-FIT NOZZ.HOLD.CONE GREEN |
| 334173 | 1 | SNAP-FIT NOZZ.HOLD.CONE ORANGE |
| 334220 | 1 | YOKE, UPPER NOZZLE BODY |
| 334371 | 1 | SNAP-FIT NOZZLE HOLDER YELLOW |
| 334373 | 1 | SNAP-FIT NOZZLE HOLDER RED |
| 334377 | 1 | SNAP-FIT NOZZLE HOLDER BLUE |
| 334926 | 1 | SNAP-FIT TURN PLATE F TRIPLET |
| 390639 | 1 | O-RING F.NOZZLE FILTER |
| 440665 | 1 | SCREW M4.2X16 STAINLESS |
| 716236 | 1 | FITT.DK HB 1/2" ASSY. F. 3/4" |
| 716413 | 1 | FITT.DK PLUG ASSY. F.NOZ TUBE |
| 724621 | 1 | FITT.DK HB 3/4"ASSY F.3/4" NUT |
| 725042 | 1 | SCREEN 80 MESH W.GASKET, RED |
| 725043 | 1 | SCREEN 50 MESH W.GASKET,BLUE |
| 725044 | 1 | SCREEN 100 MESH W.GASKET,YELLO |
| 725078 | 1 | SNAP-FIT TRIPLET W/O NOZZ HOLD |
| 725079 | 1 | NOZZLE ASSY.SING.SNAP-FIT GREN |
| 729645 | 1 | NON-DRIP SPRING ASSY.GREEN 10 |



COMPLETE ASSEMBLY
WITH NOZZLES



REFER TO
HARDI® NOZZLE CATALOG

D625

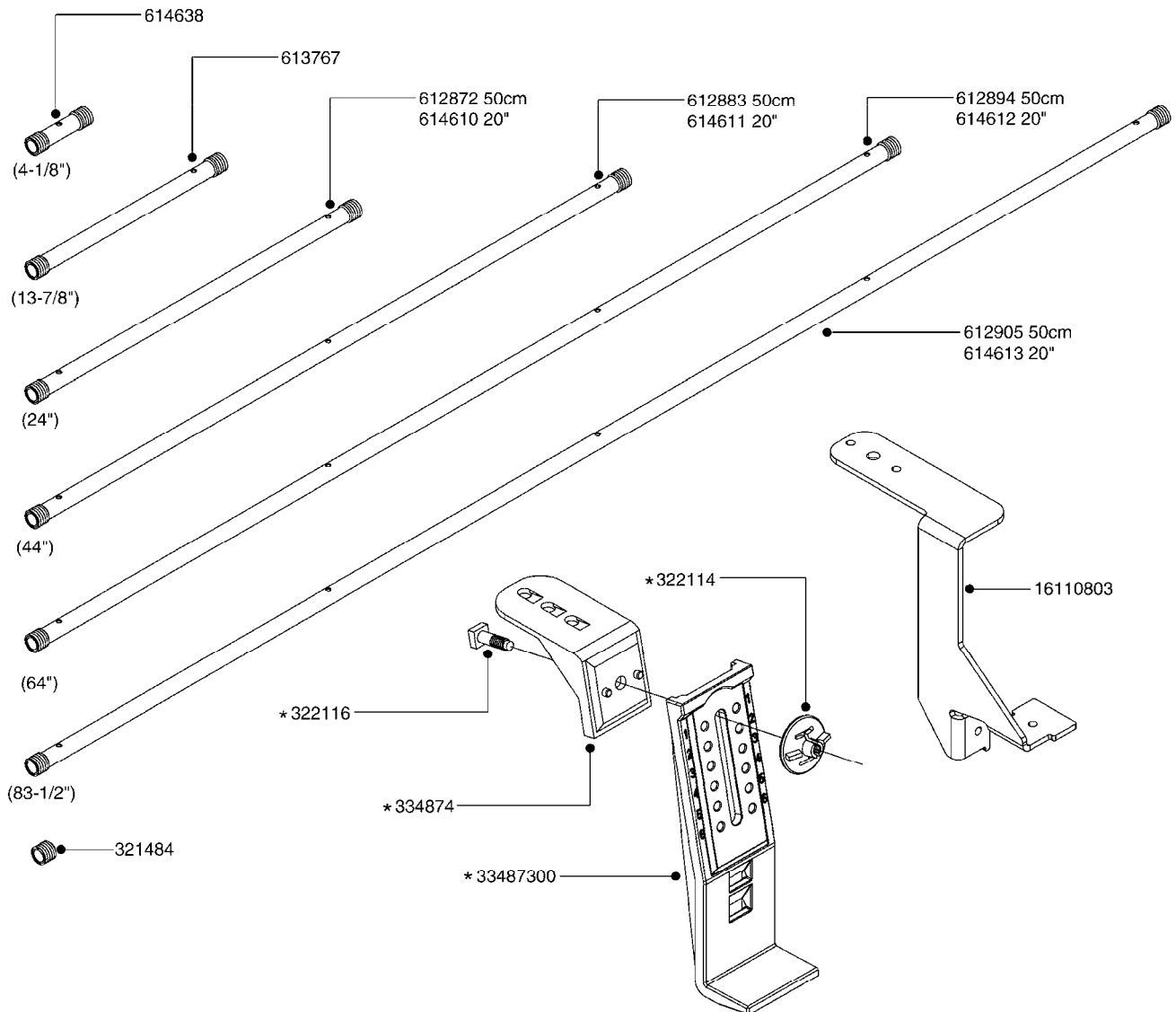


DOUBLE NOZZLE HOLDER-SNAP FIT
D625-HIN, 04:06:13

Page 1

Date 06.04.2015 11:26

| Pos. | parts-n° | order qty | description |
|------|----------|-----------|--------------------------------|
| 1 | 725078 | 1 | SNAP-FIT TRIPLET W/O NOZZ HOLD |
| 2 | 28032503 | 1 | DOUBLE NOZZLE HOLDER LD ISO |
| 3 | 28040103 | 1 | O-RING F.DOUBLE NOZZLE HOLDER |
| 4 | 28089103 | 1 | GASKET F.DOUBLE NOZZLE HOLDER |
| 5 | 70056803 | 1 | DOUBLE NOZZLE CAP ORANGE LD 01 |
| 5 | 70056903 | 1 | DOUBLE NOZZLE CAP GREEN LD 015 |
| 5 | 70057003 | 1 | DOUBLE NOZZLE CAP YELLOW LD 02 |
| 5 | 70057103 | 1 | DOUBLE NOZZLE CAP LILAC LD 025 |
| 5 | 70057203 | 1 | DOUBLE NOZZLE CAP BLUE LD 03 |
| 5 | 70057303 | 1 | DOUBLE NOZZLE CAP RED LD 04 |
| 5 | 70057403 | 1 | DOUBLE NOZZLE CAP BROWN LD 05 |



*741685 - BAG OF 5 COMPLETE
*741688 - BAG OF 10 COMPLETE

| STAINLESS CLAMPS AND INSULATOR | |
|--------------------------------|---------------------------|
| 100X60MM - 741778 BAG OF 10 | |
| 80X60MM - 741741 BAG OF 10 | 80X60MM - 741738 BAG OF 5 |
| 50X50MM - 741737 BAG OF 10 | 50X50MM - 741734 BAG OF 5 |
| 50X30MM - 741733 BAG OF 10 | 50X30MM - 741730 BAG OF 5 |

| BLANK TUBES: | DIMPLED TUBES: |
|------------------|------------------|
| 614647 - 23-3/4" | 615468 - 24-1/2" |
| 614648 - 43-1/4" | 615471 - 64" |
| 614649 - 63" | 615472 - 74-1/4" |
| 614650 - 82-1/2" | 615470 - 54-1/8" |
| | 615473 - 92" |

D630



NOZZLE TUBES & HOLDER-PLASTIC
D630-HIN, 12:04:13

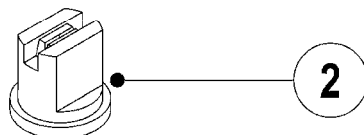
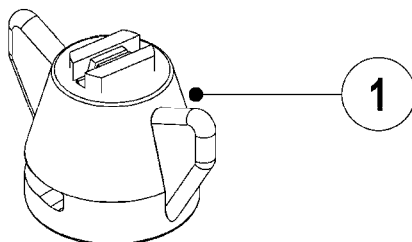
Page 1

Date 06.04.2015 11:26

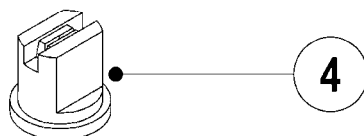
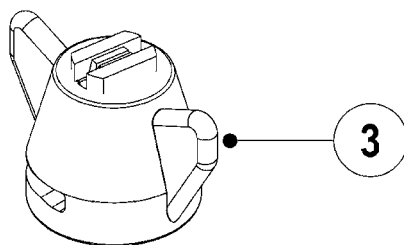
| parts-n° | order qty | description |
|----------|-----------|--------------------------------|
| 321484 | 1 | BUSHING THREADED F.NOZZ.TUBE |
| 322114 | 1 | NUT PLASTIC F.NOZZ.H |
| 322116 | 1 | BOLT PLASTIC F.NOZZ.H. |
| 334874 | 1 | NOZZLE HOLDER - TOP HALF |
| 612872 | 1 | NOZZLE TUBE 2 HOLE L-24"/50CM |
| 612883 | 1 | NOZZLE TUBE 3 HOLE L-44"/50CM |
| 612894 | 1 | NOZZLE TUBE 4 HOLE L-64"/50CM |
| 612905 | 1 | NOZZLE TUBE 5 HOLE L-83.5"/50C |
| 613767 | 1 | NOZZLE TUBE 1 HOLE L-13.875" |
| 614610 | 1 | NOZZLE TUBE 2 HOLE L-24"/SP20" |
| 614611 | 1 | NOZZLE TUBE 3 HOLE L-44"/SP20" |
| 614612 | 1 | NOZZLE TUBE 4 HOLE L-64"/SP20" |
| 614613 | 1 | NOZZLE TUBE 5 HOLE L-83.5"/20" |
| 614638 | 1 | NOZZLE TUBE 1 HOLE L-4.125" |
| 614647 | 1 | NOZZLE TUBE L=600mm NO HOLES |
| 614648 | 1 | NOZZLE TUBE L=1100mm NO HOLES |
| 614649 | 1 | NOZZLE TUBE L=1600mm NO HOLES |
| 614650 | 1 | NOZZLE TUBE L=2100mm NO HOLES |
| 615468 | 1 | NOZZLE TUBE MARKED 1" 24" |
| 615469 | 1 | NOZZLE TUBE MARKED 1" 44" |
| 615470 | 1 | NOZZLE TUBE MARKED 1" 54" |
| 615471 | 1 | NOZZLE TUBE MARKED 1" 64" |
| 615472 | 1 | NOZZLE TUBE MARKED 1" 74" |
| 615473 | 1 | NOZZLE TUBE MARKED 1" 92" |
| 741685 | 1 | NOZZLE HOLDER COMPLETE/5 PCS |
| 741688 | 1 | NOZZLE HOLDER COMPLETE/10PCS |
| 741730 | 1 | CLAMP,NZLE BKT BAG OF 5 50X30 |
| 741733 | 1 | CLAMP,NZLE BKT BAG OF 10 50X30 |
| 741734 | 1 | CLAMP,NZLE BKT BAG OF 5 50X50 |
| 741737 | 1 | CLAMP,NZLE BKT BAG OF 10 50X50 |
| 741738 | 1 | CLAMP,NZLE BKT BAG OF 5 80X60 |
| 741741 | 1 | CLAMP,NZLE BKT BAG OF 10 80x60 |
| 741778 | 1 | CLAMP,NZL BKT BAG OF 10 100x60 |
| 16110803 | 1 | NOZZLE BRACKET VAR SPACINGS |
| 33487300 | 1 | NOZZLE HOLDER - BOTTOM HALF |



SYNTAL



CERAMIC



D700



BOOM-NOZZLES 110° FLAT FAN ISO
D700-HIN, 14:12:07

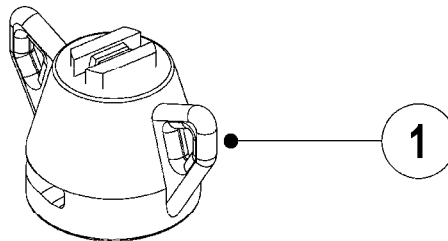
Page 1

Date 06.04.2015 11:26

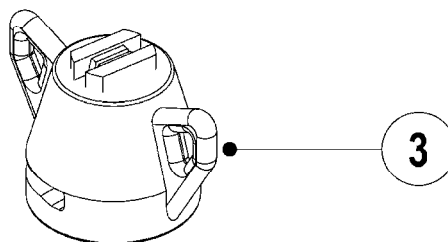
| Pos. | parts-n° | order qty | description |
|------|----------|-----------|--------------------------------|
| 1 | 371764 | 1 | NOZZLE ISO CT F-01-110 ORANGE |
| 1 | 371765 | 1 | NOZZLE ISO CT F-015-110 GREEN |
| 1 | 371766 | 1 | NOZZLE ISO CT F-02-110 YELLOW |
| 1 | 371767 | 1 | NOZZLE ISO CT F-03-110 BLUE |
| 1 | 371768 | 1 | NOZZLE ISO CT F-04-110 RED |
| 1 | 371769 | 1 | NOZZLE ISO CT F-05-110 BROWN |
| 1 | 371770 | 1 | NOZZLE ISO CT F-06-110 GREY |
| 1 | 371771 | 1 | NOZZLE ISO CT F-08-110 WHITE |
| 1 | 371950 | 1 | NOZZLE ISO CT F-025-110 LILAC |
| 1 | 371964 | 1 | NOZZLE ISO CT F-075-110 PINK |
| 1 | 371970 | 1 | NOZZLE ISO CT F-10-110 LT BLUE |
| 2 | 371706 | 1 | NOZZLE ISO F-01-110 ORANGE |
| 2 | 371707 | 1 | NOZZLE ISO F-015-110 GREEN |
| 2 | 371708 | 1 | NOZZLE ISO F-02-110 YELLOW |
| 2 | 371709 | 1 | NOZZLE ISO F-03-110 BLUE |
| 2 | 371710 | 1 | NOZZLE ISO F-04-110 RED |
| 2 | 371711 | 1 | NOZZLE ISO F-05-110 BROWN |
| 2 | 371712 | 1 | NOZZLE ISO F-06-110 GREY |
| 2 | 371713 | 1 | NOZZLE ISO F-08-110 WHITE |
| 2 | 371946 | 1 | NOZZLE ISO F-025-110 LILAC |
| 2 | 371963 | 1 | NOZZLE ISO F-075-110 PINK |
| 2 | 371966 | 1 | NOZZLE ISO F-10-110 LT BLUE |
| 3 | 371772 | 1 | NOZZLE ISO CT F-015-110C GREEN |
| 3 | 371773 | 1 | NOZZLE ISO CT F-02-110C YELLOW |
| 3 | 371774 | 1 | NOZZLE ISO CT F-03-110C BLUE |
| 3 | 371775 | 1 | NOZZLE ISO CT F-04-110C RED |
| 3 | 371776 | 1 | NOZZLE ISO CT F-05-110C BROWN |
| 3 | 371777 | 1 | NOZZLE ISO CT F-06-110C GREY |
| 4 | 371738 | 1 | NOZZLE ISO F-015-110C GREEN |
| 4 | 371739 | 1 | NOZZLE ISO F-02-110C YELLOW |
| 4 | 371740 | 1 | NOZZLE ISO F-03-110C BLUE |
| 4 | 371741 | 1 | NOZZLE ISO F-04-110C RED |
| 4 | 371742 | 1 | NOZZLE ISO F-05-110C BROWN |
| 4 | 371743 | 1 | NOZZLE ISO F-06-110C GREY |



SYNTAL



CERAMIC



D701



BOOM-NOZZLES 110° LOWDRIFT ISO
D701-HIN, 14:12:07

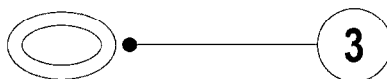
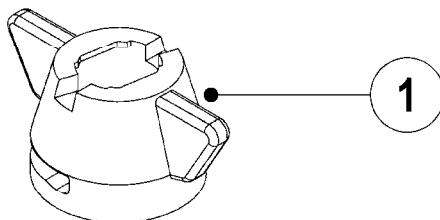
Page 1

Date 06.04.2015 11:26

| Pos. | parts-n° | order qty | description |
|------|----------|-----------|--------------------------------|
| 1 | 371837 | 1 | NOZZLE ISO CT LD-01-110 ORANGE |
| 1 | 371838 | 1 | NOZZLE ISO CT LD-015-110 GREEN |
| 1 | 371839 | 1 | NOZZLE ISO CT LD-02-110 YELLOW |
| 1 | 371840 | 1 | NOZZLE ISO CT LD-03-110 BLUE |
| 1 | 371841 | 1 | NOZZLE ISO CT LD-04-110 RED |
| 1 | 371894 | 1 | NOZZLE ISO CT LD-05-110 BROWN |
| 1 | 371958 | 1 | NOZZLE ISO CT LD-025-110 LILAC |
| 2 | 371817 | 1 | NOZZLE ISO LD-01-110 ORANGE |
| 2 | 371818 | 1 | NOZZLE ISO LD-015-110 GREEN |
| 2 | 371819 | 1 | NOZZLE ISO LD-02-110 YELLOW |
| 2 | 371820 | 1 | NOZZLE ISO LD-03-110 BLUE |
| 2 | 371821 | 1 | NOZZLE ISO LD-04-110 RED |
| 2 | 371893 | 1 | NOZZLE ISO LD-05-110 BROWN |
| 2 | 371957 | 1 | NOZZLE ISO LD-025-110 LILAC |
| 3 | 371842 | 1 | NOZZLE ISO CT LD-01-110C ORANG |
| 3 | 371843 | 1 | NOZZLE ISO CT LD-015-110C GRN |
| 3 | 371844 | 1 | NOZZLE ISO CT LD-02-110C YELLO |
| 3 | 371845 | 1 | NOZZLE ISO CT LD-03-110C BLUE |
| 3 | 371846 | 1 | NOZZLE ISO CT LD-04-110C RED |
| 3 | 371897 | 1 | NOZZLE ISO CT LD-05-110C BROWN |
| 4 | 371822 | 1 | NOZZLE ISO LD-01-110C ORANGE |
| 4 | 371823 | 1 | NOZZLE ISO LD-015-110C GREEN |
| 4 | 371824 | 1 | NOZZLE ISO LD-02-110C YELLOW |
| 4 | 371825 | 1 | NOZZLE ISO LD-03-110C BLUE |
| 4 | 371826 | 1 | NOZZLE ISO LD-04-110C RED |
| 4 | 371896 | 1 | NOZZLE ISO LD-05-110C BROWN |



SYNTAL



D702

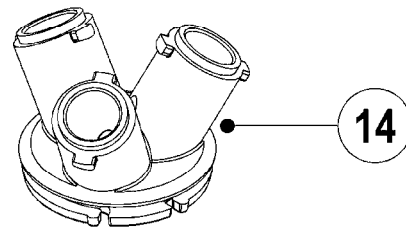
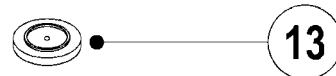
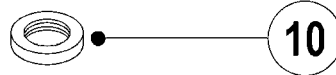
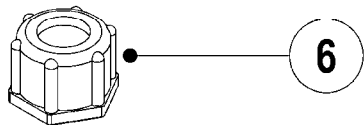
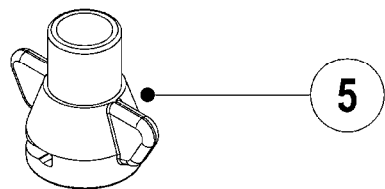
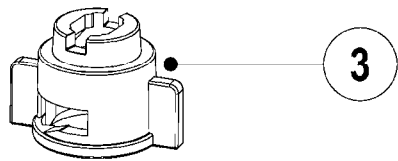
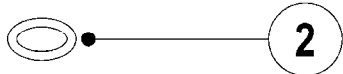
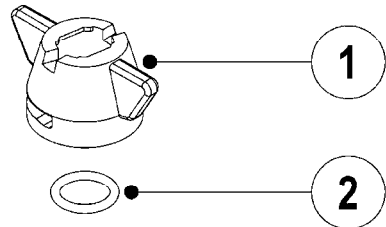


BOOM-NOZZLES 80° FLAT FAN ISO
D702-HIN, 14:12:07

Page 1

Date 06.04.2015 11:26

| Pos. | parts-n° | order qty | description |
|------|----------|-----------|--------------------------------|
| 1 | 334083 | 1 | SNAP-FIT NOZZLE HOLDER SS BLCK |
| 2 | 371931 | 1 | SYNTAL ISO F-01-80 TIP ORNG |
| 2 | 371932 | 1 | SYNTAL ISO F-015-80 TIP GREEN |
| 2 | 371933 | 1 | SYNTAL ISO F-02-80 TIP YELLOW |
| 2 | 371934 | 1 | SYNTAL ISO F-03-80 TIP BLUE |
| 3 | 10423503 | 1 | O-RING 9.12x3.53 NITRIL |



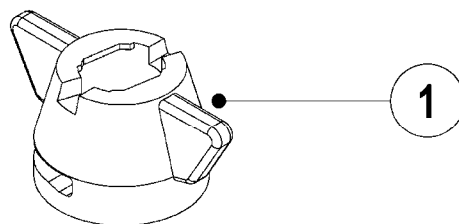
D703



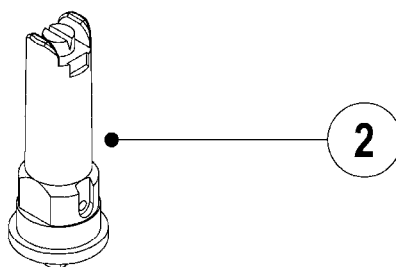
BOOM-NOZZLE CAPS AND FILTERS
D703-HIN, 14:12:07

Page 1
Date 06.04.2015 11:26

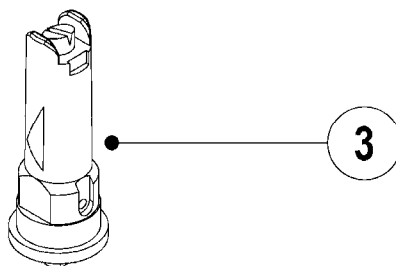
| Pos. | parts-n° | order qty | description |
|------|----------|-----------|---------------------------------------|
| 1 | 334083 | 1 | SNAP-FIT NOZZLE HOLDER SS BLCK |
| 2 | 10423503 | 1 | O-RING 9.12x3.53 NITRIL |
| 3 | 334862 | 1 | NOZZLE CAP TJBBLACK F.ISO/INJET |
| 4 | 242222 | 1 | GASKET 19.0 X 10.0 X 3.3 EPDM |
| 5 | 322068 | 1 | SNAP-FIT ADAPTER THREAD. HARDI |
| 6 | 320187 | 1 | FITT.DK CAP 3/8" BSP BLACK |
| 6 | 321517 | 1 | FITT.DK CAP 3/8" BSP WHITE |
| | | | ALWAYS USE WITH ISO AND INJET NOZZLES |
| 6 | 321797 | 1 | FITT.DK CAP 3/8' BSP BLUE |
| 6 | 321801 | 1 | FITT.DK CAP 3/8' BSP GREEN |
| 6 | 321812 | 1 | FITT.DK CAP 3/8' BSP RED |
| 6 | 321823 | 1 | FITT.DK CAP 3/8' BSP ORANGE |
| 6 | 321834 | 1 | FITT.DK CAP 3/8' BSP YELLOW |
| 7 | 330013 | 1 | O-RING D15/D10X2.5 F.3/8"NUT |
| 8 | 725042 | 1 | SCREEN 80 MESH W.GASKET, RED |
| 8 | 725043 | 1 | SCREEN 50 MESH W.GASKET,BLUE |
| 8 | 725044 | 1 | SCREEN 100 MESH W.GASKET,YELLO |
| 9 | 614366 | 1 | FILTER 50 MESH F.NOZZLE BLUE |
| 9 | 614367 | 1 | FILTER 80 MESH F.NOZZLE RED |
| 9 | 614368 | 1 | FILTER 100 MESH F.NOZZLE YEL. |
| 10 | 390639 | 1 | O-RING F.NOZZLE FILTER |
| 11 | 371551 | 1 | NOZZ LRG DROP FLAT SPRAY SINGL |
| 12 | 370016 | 1 | NOZZLE CONE JET 1553-08 |
| 12 | 370027 | 1 | NOZZLE CONE JET 1553-10 |
| 12 | 370031 | 1 | NOZZLE CONE JET 1553-12 |
| 12 | 370042 | 1 | NOZZLE CONE JET 1553-14 |
| 12 | 370053 | 1 | NOZZLE CONE JET 1553-16 |
| 12 | 370064 | 1 | NOZZLE CONE JET 1553-18 |
| 12 | 370075 | 1 | NOZZLE CONE JET 1553-20 |
| 12 | 370086 | 1 | NOZZLE CONE JET 1553-22 |
| 12 | 370097 | 1 | NOZZLE CONE JET 1553-24 |
| 12 | 370101 | 1 | NOZZLE CONE JET 1553-30 |
| 12 | 370112 | 1 | NOZZLE CONE JET 1553-35 |
| 12 | 370123 | 1 | NOZZLE CONE JET 1553-40 |
| 13 | 370134 | 1 | NOZZLE SWIRL 1554-GREY |
| 13 | 370145 | 1 | NOZZLE SWIRL 1554-BLACK |
| 13 | 370156 | 1 | NOZZLE SWIRL 1554-BLUE |
| 13 | 370167 | 1 | NOZZLE SWIRL 1554-1.3 WHITE |
| 14 | 334926 | 1 | SNAP-FIT TURN PLATE F TRIPLET |



INJET Nozzle SYNTAL



B-JET Nozzle SYNTAL



D704



BOOM-NOZZLES INJET
D704-HIN, 14:12:07

Page 1

Date 06.04.2015 11:26

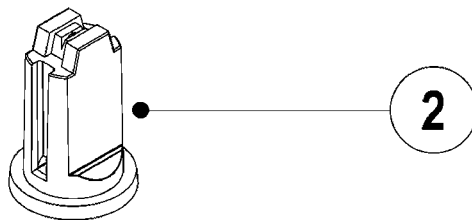
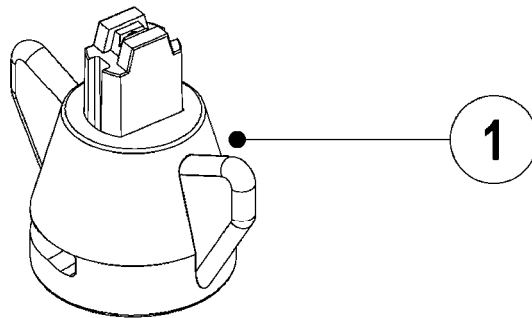
| Pos. | parts-n° | order qty | description |
|------|----------|-----------|--------------------------------|
| 1 | 334083 | 1 | SNAP-FIT NOZZLE HOLDER SS BLCK |
| 2 | 371872 | 1 | NOZZLE INJET 015 GREEN SINGLE |
| 2 | 371873 | 1 | NOZZLE INJET 02 YELLOW SINGLE |
| 2 | 371874 | 1 | NOZZLE INJET 025 LILAC SINGLE |
| 2 | 371875 | 1 | NOZZLE INJET 03 BLUE SINGLE |
| 2 | 371876 | 1 | NOZZLE INJET 04 RED SINGLE |
| 2 | 371926 | 1 | NOZZLE INJET 01 ORANGE SINGLE |
| 2 | 371927 | 1 | NOZZLE INJET 05 BROWN SINGLE |
| 2 | 371928 | 1 | NOZZLE INJET 06 GREY SINGLE |
| 2 | 371929 | 1 | NOZZLE INJET 08 WHITE SINGLE |
| 3 | 371870 | 1 | NOZZLE B-JET 03 BLUE |
| 3 | 371871 | 1 | NOZZLE B-JET 04 RED |
| 3 | 371877 | 1 | NOZZLE B-JET 025 LILAC |
| 3 | 371930 | 1 | NOZZLE B-JET 02 YELLOW |



BOOM-NOZZLES MINIDRIFT
D705-HIN, 14:12:07

Page 0

Date 06.04.2015 11:26



D705



BOOM-NOZZLES MINIDRIFT
D705-HIN, 14:12:07

Page 1

Date 06.04.2015 11:26

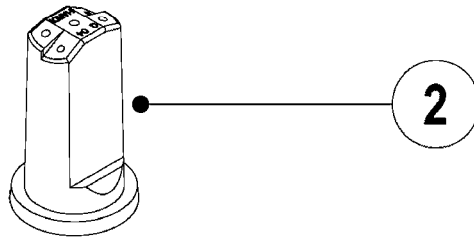
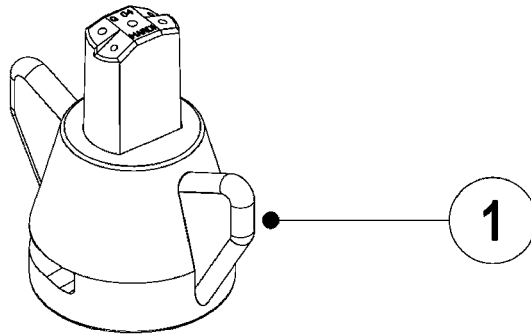
| Pos. | parts-n° | order qty | description |
|------|----------|-----------|--------------------------------|
| 1 | 372121 | 1 | NOZZLE ISO CT MD-015-110 GREEN |
| 1 | 372122 | 1 | NOZZLE ISO CT MD-02-110 YELLOW |
| 1 | 372123 | 1 | NOZZLE ISO CT MD-025-110 LILAC |
| 1 | 372124 | 1 | NOZZLE ISO CT MD-03-110 BLUE |
| 1 | 372125 | 1 | NOZZLE ISO CT MD-04-110 RED |
| 1 | 372126 | 1 | NOZZLE ISO CT MD-05-110 BROWN |
| 2 | 372111 | 1 | NOZZLE ISO MD-015-110 GREEN |
| 2 | 372112 | 1 | NOZZLE ISO MD-02-110 YELLOW |
| 2 | 372113 | 1 | NOZZLE ISO MD-025-110 LILAC |
| 2 | 372114 | 1 | NOZZLE ISO MD-03-110 BLUE |
| 2 | 372115 | 1 | NOZZLE ISO MD-04-110 RED |
| 2 | 372116 | 1 | NOZZLE ISO MD-05-110 BROWN |



BOOM-NOZZLES QUINTASTREAM
D706-HIN, 14:12:07

Page 0

Date 06.04.2015 11:26



D706



BOOM-NOZZLES QUINTASTREAM
D706-HIN, 14:12:07

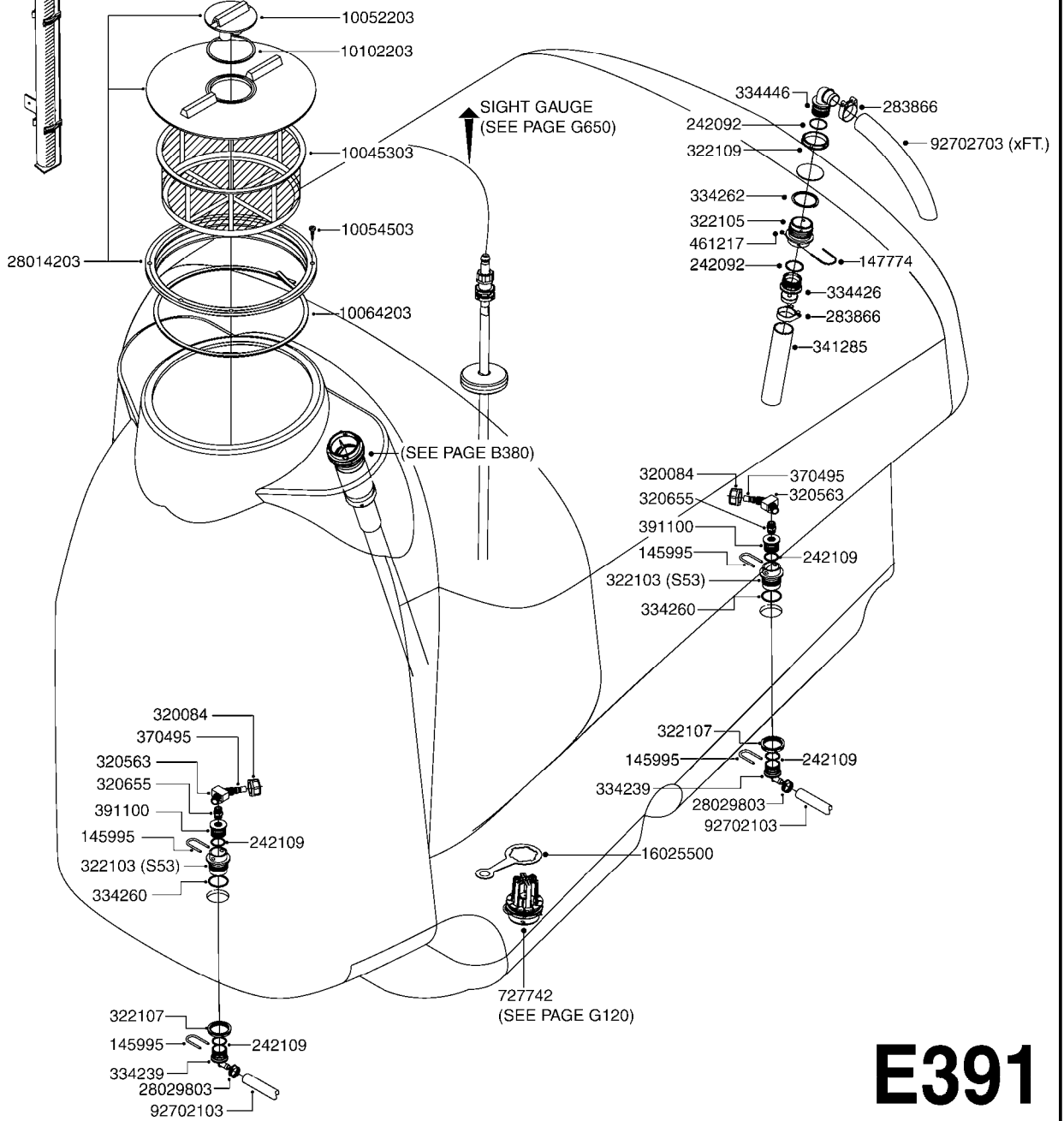
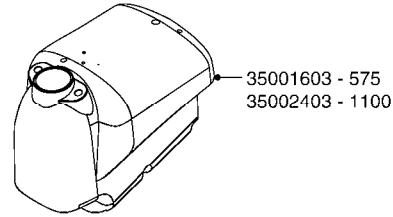
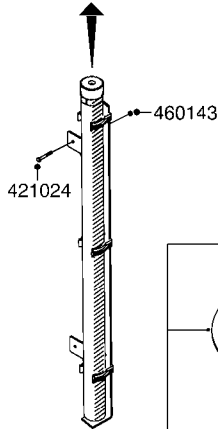
Page 1

Date 06.04.2015 11:26

| Pos. | parts-n° | order qty | description |
|------|----------|-----------|-------------------------------|
| 1 | 372011 | 1 | NOZZLE ISO QS-015-5H GREEN |
| 1 | 372012 | 1 | NOZZLE ISO QS-02-5H YELLOW |
| 1 | 372013 | 1 | NOZZLE ISO QS-03-5H BLUE |
| 1 | 372014 | 1 | NOZZLE ISO QS-04-5H RED |
| 1 | 372015 | 1 | NOZZLE ISO QS-05-5H BROWN |
| 1 | 372016 | 1 | NOZZLE ISO QS-06-5H GREY |
| 1 | 372017 | 1 | NOZZLE ISO QS-08-5H WHITE |
| 1 | 372018 | 1 | NOZZLE ISO QS-10-5H LT. BLUE |
| 1 | 372019 | 1 | NOZZLE ISO QS-15-5H LT. GREEN |
| 2 | 372002 | 1 | ISO QNTSTRM 015 S-GREEN |
| 2 | 372003 | 1 | ISO QNTSTRM 02 S-YELLOW |
| 2 | 372004 | 1 | ISO QNTSTRM 03 S-BLUE |
| 2 | 372005 | 1 | ISO QNTSTRM 04 S-RED |
| 2 | 372006 | 1 | ISO QNTSTRM 05 S-BROWN |
| 2 | 372007 | 1 | ISO QNTSTRM 06 S-GREY |
| 2 | 372008 | 1 | ISO QNTSTRM 08 S-WHITE |
| 2 | 372009 | 1 | ISO QNTSTRM 10 S-LT.BLU |
| 2 | 372010 | 1 | ISO QNTSTRM 15 S-LT.GRN |



SIGHT GAUGE (SEE PAGE G650)



E391



TANK - 575/1100 NEW NAV ECP
E391-HIN, 19:12:10

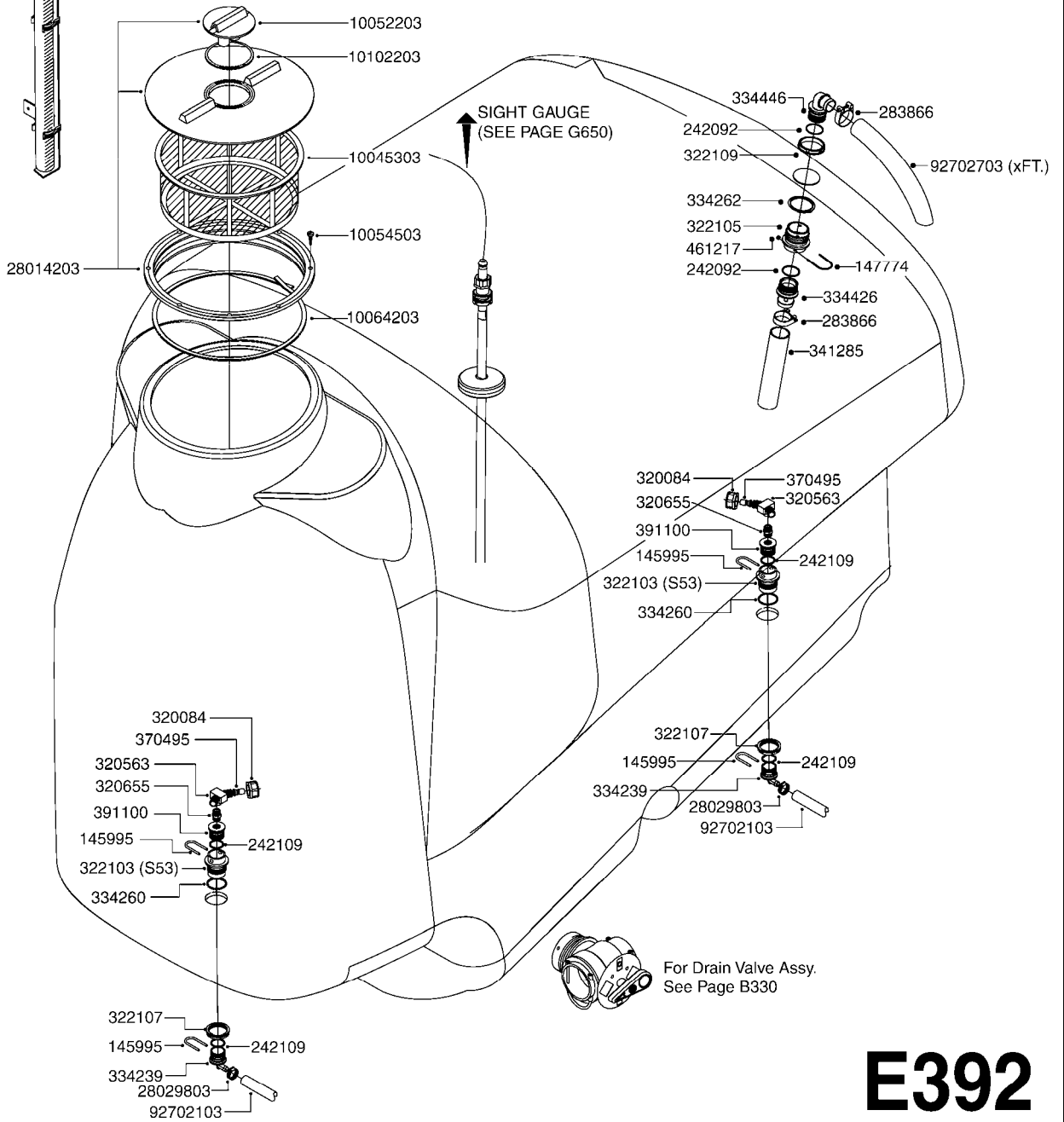
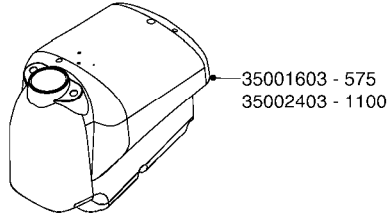
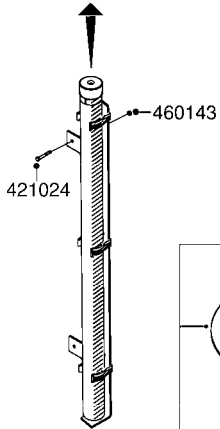
Page 1

Date 06.04.2015 11:26

| parts-n° | order qty | description |
|----------|-----------|--------------------------------|
| 145995 | 1 | FITT.DK S-53 FORK |
| 147774 | 1 | FITT.DK S-93 FORK W. M5 THREAD |
| 242092 | 1 | O-RING D69.5X3 (Use-242351) |
| 242109 | 1 | O-RING D32.2x3.0 (USE 242354) |
| 283866 | 1 | CLAMP HOSE SCREW TYPE 2"DELTA |
| 320084 | 1 | FITT.DK NUT 1/2" BSP |
| 320563 | 1 | FITT.DK 3 WAY 1/2" 110 DEG. |
| 320655 | 1 | FITT.DK HN 1/2"-1/2" BSP |
| 322103 | 1 | FITT.DK S-53 BULKHEAD |
| 322105 | 1 | FITT.DK S-93 BULKHEAD DOUBLE |
| 322107 | 1 | FITT.DK S-53 BULKHEAD NUT |
| 322109 | 1 | FITT.DK S-93 BULKHEAD NUT |
| 334239 | 1 | FITT.DK S-53 ELB.1/2" |
| 334260 | 1 | GASKET F. S-53 BULKHEAD |
| 334262 | 1 | GASKET F.S-93 BULKHEAD |
| 334426 | 1 | FITT.DK S-93 STR.2' |
| 334446 | 1 | FITT.DK S-93 ELB.2" PVC |
| 341285 | 1 | TUBE Ø57/Ø52 L=1500 YELLOW PE |
| 370495 | 1 | NOZZLE INJECTOR 5066-3.0 |
| 391100 | 1 | FITT.DK S-53THREAD INS.1/2"BSP |
| 421024 | 1 | BOLT HEX 8.8 DEL M8X60 |
| 460143 | 1 | NUT HEX M8 LOCK A2 DIN985 |
| 461217 | 1 | NUT HEX M5 LOCK |
| 727742 | 1 | TOP DRAIN CORD TYPE |
| 10045303 | 1 | FILTER BASKET 16" |
| 10052203 | 1 | LID VENT ASSY |
| 10054503 | 1 | SCREW 3/4" SELF TAPPING |
| 10064203 | 1 | SET SEALING SPONGE 1 Ft BULK |
| 10102203 | 1 | GASKET F.16" LID BREATHER |
| 16025500 | 1 | TANK SPACER SIGHT GAUGE |
| 28014203 | 1 | LID ASSY. (3-PC.) 16" ARAG |
| 28029803 | 1 | CLAMP HOSE GEAR P1/2" 6708 |
| 35001603 | 1 | TANK RAW 575 GAL. NAV. |
| 35002403 | 1 | TANK RAW 1100 GAL. NAV. |
| 92702103 | 1 | HOSE R X1/2" X300PSI WP X0012" |
| 92702703 | 1 | HOSE PVC SUCT GRAY 2" |



SIGHT GAUGE (SEE PAGE G650)



E392



TANK - 575/1100 NEW NAV ECPC
E392-HIN, 19:12:10

Page 1

Date 06.04.2015 11:26

| parts-n° | order qty | description |
|----------|-----------|--------------------------------|
| 145995 | 1 | FITT.DK S-53 FORK |
| 147774 | 1 | FITT.DK S-93 FORK W. M5 THREAD |
| 242092 | 1 | O-RING D69.5X3 (Use-242351) |
| 242109 | 1 | O-RING D32.2x3.0 (USE 242354) |
| 283866 | 1 | CLAMP HOSE SCREW TYPE 2"DELTA |
| 320084 | 1 | FITT.DK NUT 1/2" BSP |
| 320563 | 1 | FITT.DK 3 WAY 1/2" 110 DEG. |
| 320655 | 1 | FITT.DK HN 1/2"-1/2" BSP |
| 322103 | 1 | FITT.DK S-53 BULKHEAD |
| 322105 | 1 | FITT.DK S-93 BULKHEAD DOUBLE |
| 322107 | 1 | FITT.DK S-53 BULKHEAD NUT |
| 322109 | 1 | FITT.DK S-93 BULKHEAD NUT |
| 334239 | 1 | FITT.DK S-53 ELB.1/2" |
| 334260 | 1 | GASKET F. S-53 BULKHEAD |
| 334262 | 1 | GASKET F.S-93 BULKHEAD |
| 334426 | 1 | FITT.DK S-93 STR.2' |
| 334446 | 1 | FITT.DK S-93 ELB.2" PVC |
| 341285 | 1 | TUBE Ø57/Ø52 L=1500 YELLOW PE |
| 370495 | 1 | NOZZLE INJECTOR 5066-3.0 |
| 391100 | 1 | FITT.DK S-53THREAD INS.1/2"BSP |
| 421024 | 1 | BOLT HEX 8.8 DEL M8X60 |
| 460143 | 1 | NUT HEX M8 LOCK A2 DIN985 |
| 461217 | 1 | NUT HEX M5 LOCK |
| 10045303 | 1 | FILTER BASKET 16" |
| 10052203 | 1 | LID VENT ASSY |
| 10054503 | 1 | SCREW 3/4" SELF TAPPING |
| 10064203 | 1 | SET SEALING SPONGE 1 Ft BULK |
| 10102203 | 1 | GASKET F.16" LID BREATHER |
| 28014203 | 1 | LID ASSY. (3-PC.) 16" ARAG |
| 28029803 | 1 | CLAMP HOSE GEAR P1/2" 6708 |
| 35001603 | 1 | TANK RAW 575 GAL. NAV. |
| 35002403 | 1 | TANK RAW 1100 GAL. NAV. |
| 92702103 | 1 | HOSE R X1/2" X300PSI WP X0012" |
| 92702703 | 1 | HOSE PVC SUCT GRAY 2" |



FRAME "NEW" NAV 575
F251-HIN, 14:12:07

Page 1
Date 06.04.2015 11:26

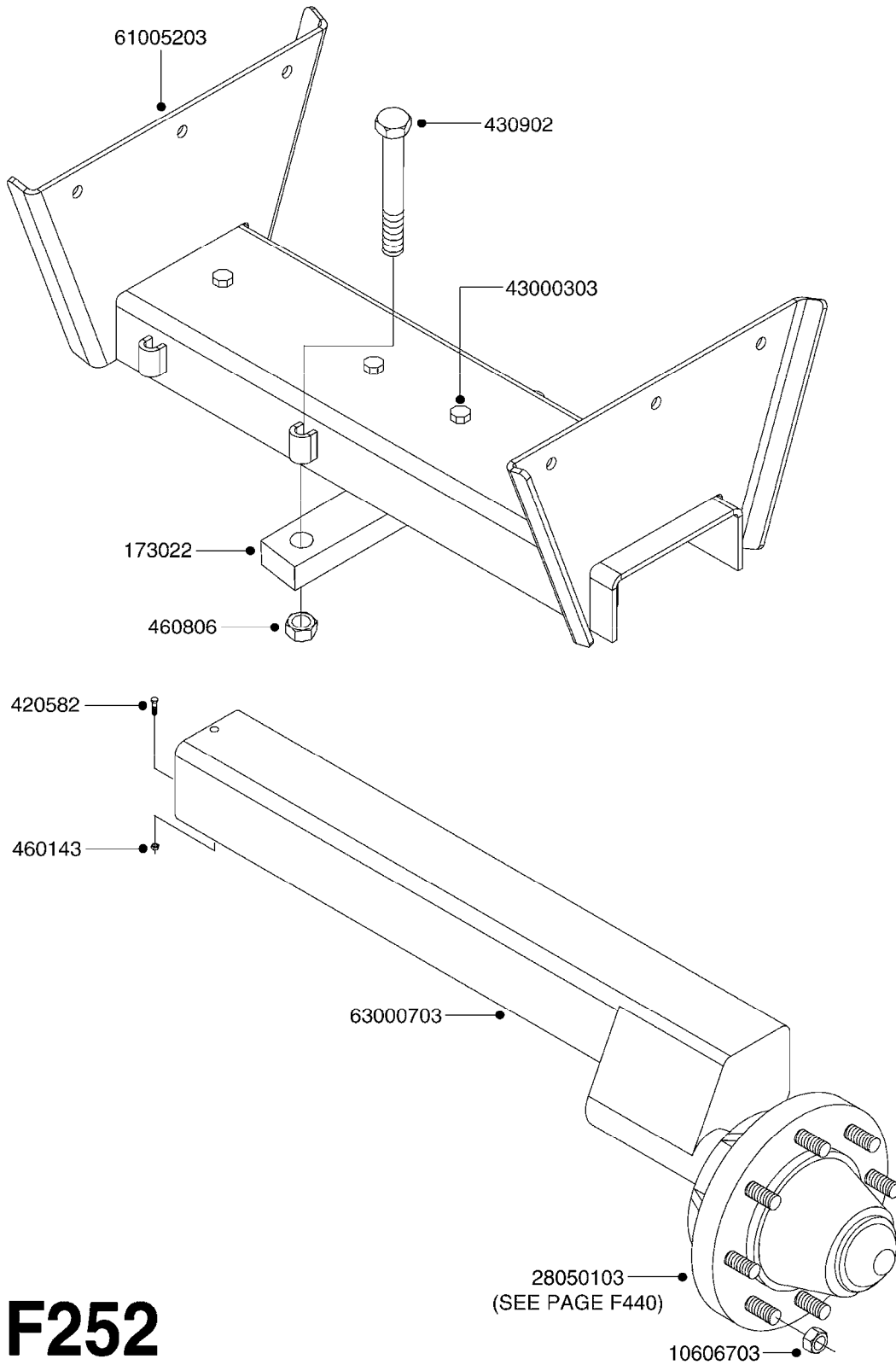
| parts-n° | order qty | description |
|----------|-----------|-------------------------------------|
| 142505 | 1 | LOCKING PAWL 12 X 70MM |
| 160521 | 1 | WASHER D30.5/D13X2 |
| 160876 | 1 | HOOK F.TRANSPORT LOCK L=280MM |
| 161382 | 1 | HOOK F.TRANSPORT LOCK L=340MM |
| 210835 | 1 | BUSHING D28/25 L=25 |
| 210858 | 1 | BUSHING 034/30 L=20 |
| 220820 | 1 | SPRING D20.5/2.0 0-50MM |
| 283699 | 1 | GREASE NIPPLE M6X1 |
| 283772 | 1 | GREASE NIPPLE H3 M6 X 4 90° |
| 420604 | 1 | BOLT HEX 8.8 DEL M10X25 FT DIN933 |
| 421046 | 1 | BOLT HEX 8.8 DEL M8X25 FT A2 DIN933 |
| 430286 | 1 | BOLT HEX 8.8 DEL M12X30 FT |
| 430581 | 1 | BOLT HEX 8.8 DEL M16X40 FT |
| 430765 | 1 | BOLT HEX 8.8 DEL M16X55 |
| 430802 | 1 | BOLT HEX 8.8 DEL M12X75 |
| 430846 | 1 | BOLT HEX 8.8 DEL M12X80 |
| 430878 | 1 | BOLT HEX 8.8 DEL M12X45 DIN931 |
| 430890 | 1 | BOLT HEX 8.8 DEL M20X50 |
| 460143 | 1 | NUT HEX M8 LOCK A2 DIN985 |
| 460423 | 1 | NUT HEX M10X1.5 LOCK |
| 460585 | 1 | NUT HEX M16X2 LOCK |
| 460703 | 1 | NUT HEX M12X1.75 LOCK DIN985 |
| 460747 | 1 | NUT HEX M24 LOCK |
| 460806 | 1 | NUT HEX M20X2.5 LOCK |
| 471127 | 1 | WASHER D24/D13X2.5 STAINLESS |
| 480244 | 1 | PIN SNAP D4.5 |
| 480384 | 1 | PIN COTTER 3/16 x 1-1/2" |
| 615654 | 1 | PIN D25 X 123 F. PARALIFT |
| 10061903 | 1 | JACK F300/500/575 5000LB |
| 10623603 | 1 | CABLE & HOSE HOLDER NAV. |
| 14002803 | 1 | PIN 1/2"Ø NAV STEP |
| 15006503 | 1 | WASHER FRAME BUSHING |
| 16048604 | 1 | QUICK FILL BKT. NAV. 575-1100 |
| 16054904 | 1 | JACKSTAND SUPPORT 575 NAV. |
| 43000103 | 1 | BOLT HEX 8.8 CRG M16x2.0 40LG |
| 61002903 | 1 | LINK ARM F. PARALIFT NAV. |
| 61003003 | 1 | BRACKET FLSH TK +STEP 575 FNT |
| 61005803 | 1 | CROSSBAR FRONT NEW NAV |
| 61008404 | 1 | MOUNTING BOLT Ø25X90/M24 |
| 61008504 | 1 | MOUNTING BOLT Ø25X98/M24 |
| 61009903 | 1 | UPRIGHT PANEL LH 575 NAV. |
| 61010003 | 1 | UPRIGHT PANEL RH 575 NAV. |
| 61011804 | 1 | JACK STAND MT. NAV. 575 |
| 63007003 | 1 | CLEVIS HITCH NAV. 1100 |
| 63008203 | 1 | STEP F. PLATFORM 575-1100 NAV. |
| 63008303 | 1 | FLUSH TANK PIVOT FRONT NAV. |
| 63008403 | 1 | FLUSH TANK PIVOT REAR NAV. |
| 63009003 | 1 | CENTRIFUGAL PUMP BRACKET |
| 63009703 | 1 | DRAWBAR FRAME 575 NAVIGATOR |
| 63011204 | 1 | CHASSIS PANEL LH 575 NAVIGATOR |
| 63011304 | 1 | CHASSIS PANEL RH 575 NAVIGATOR |
| 63013104 | 1 | CROSS MEMBER REAR NAVIGATOR |
| 63020204 | 1 | BRACKET HANDRAIL MOUNT |
| 63021204 | 1 | PARALIFT WELDMENT NAV |
| 63021404 | 1 | HANDRAIL SIDE 575 NAV |
| 63021504 | 1 | HANDRAIL FRT 575 NAV |
| 63022004 | 1 | CROSSBAR REAR NAVIGATOR |
| 63026803 | 1 | TRANS. STOP BKT. PARALIFT NEW |
| 72531000 | 1 | CYL. D25/12-50/78124200 W/FITT |
| 78120600 | 1 | CYLINDER 60/25 X 662 NAV PAR L |
| 78125500 | 1 | CYLINDER 60/25 X 662 NAV PAR R |



FIXED AXLE "NEW" NAV 575
F252-HIN, 21:05:09

Page 0

Date 06.04.2015 11:26





FIXED AXLE "NEW" NAV 575
F252-HIN, 21:05:09

Page 1

Date 06.04.2015 11:26

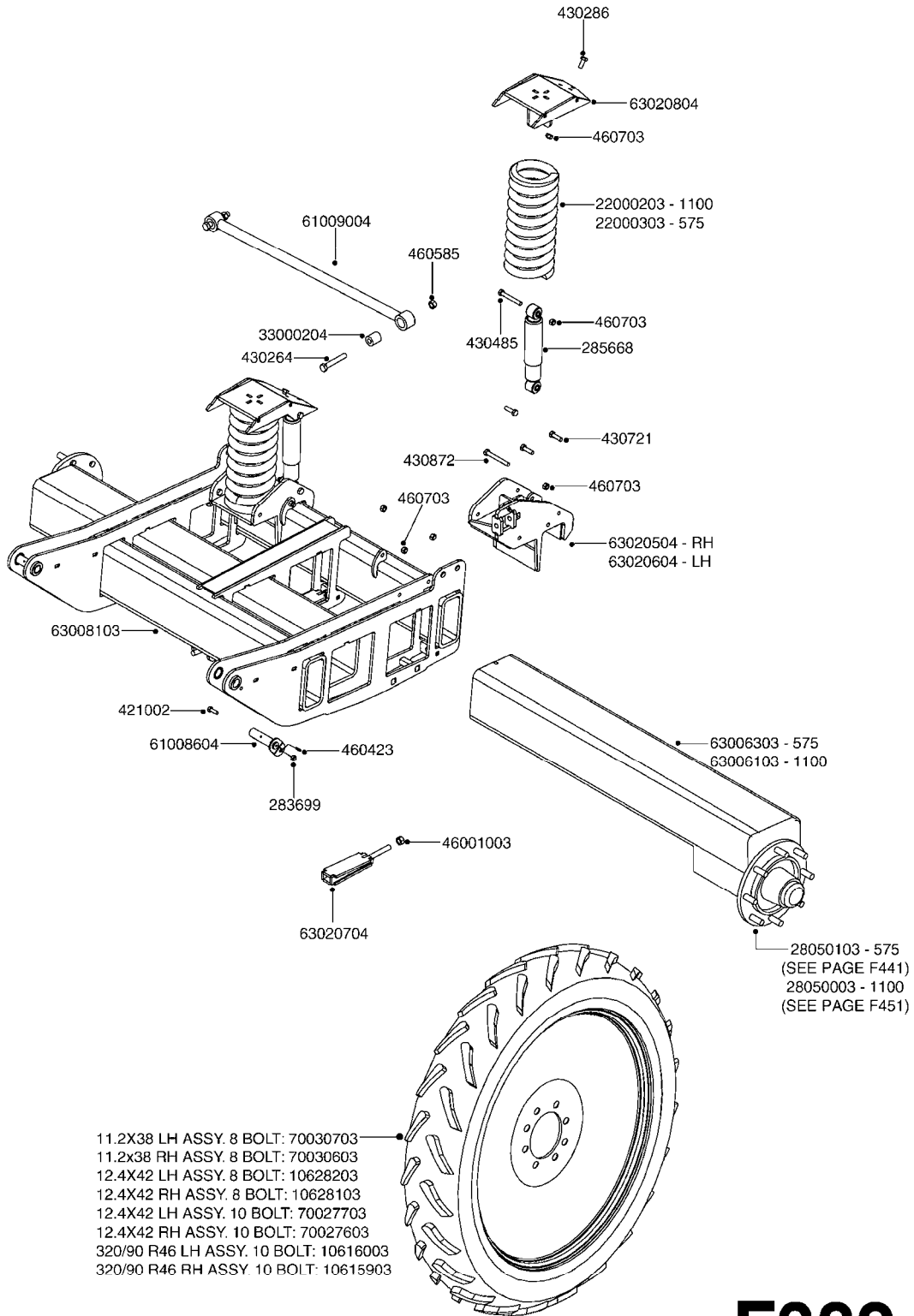
| parts-n° | order qty | description |
|----------|-----------|--------------------------------|
| 173022 | 1 | FLATBAR 50X30 L=218/2XD22 |
| 420582 | 1 | BOLT HEX 8.8 DEL M8X20 FT A2 |
| 430902 | 1 | BOLT HEX 8.8 M20X150 |
| 460143 | 1 | NUT HEX M8 LOCK A2 DIN985 |
| 460806 | 1 | NUT HEX M20X2.5 LOCK |
| 10606703 | 1 | NUT HEX NF 5/8" FLANGED F.STUD |
| 28050103 | 1 | HUB F 3" 758 7500# PACKAGE |
| 43000303 | 1 | BOLT HEX 8.8 M20X200 BLACK |
| 61005203 | 1 | * AXLE NON-SUSP ADJ 575 |
| 63000703 | 1 | AXLE INSERT W/M CM750 |



"NEW" NAVIGATOR SUSPENDED AXLE
F382-HIN, 21:05:09

Page 0

Date 06.04.2015 11:26



F382



"NEW" NAVIGATOR SUSPENDED AXLE
F382-HIN, 21:05:09

Page 1
Date 06.04.2015 11:26

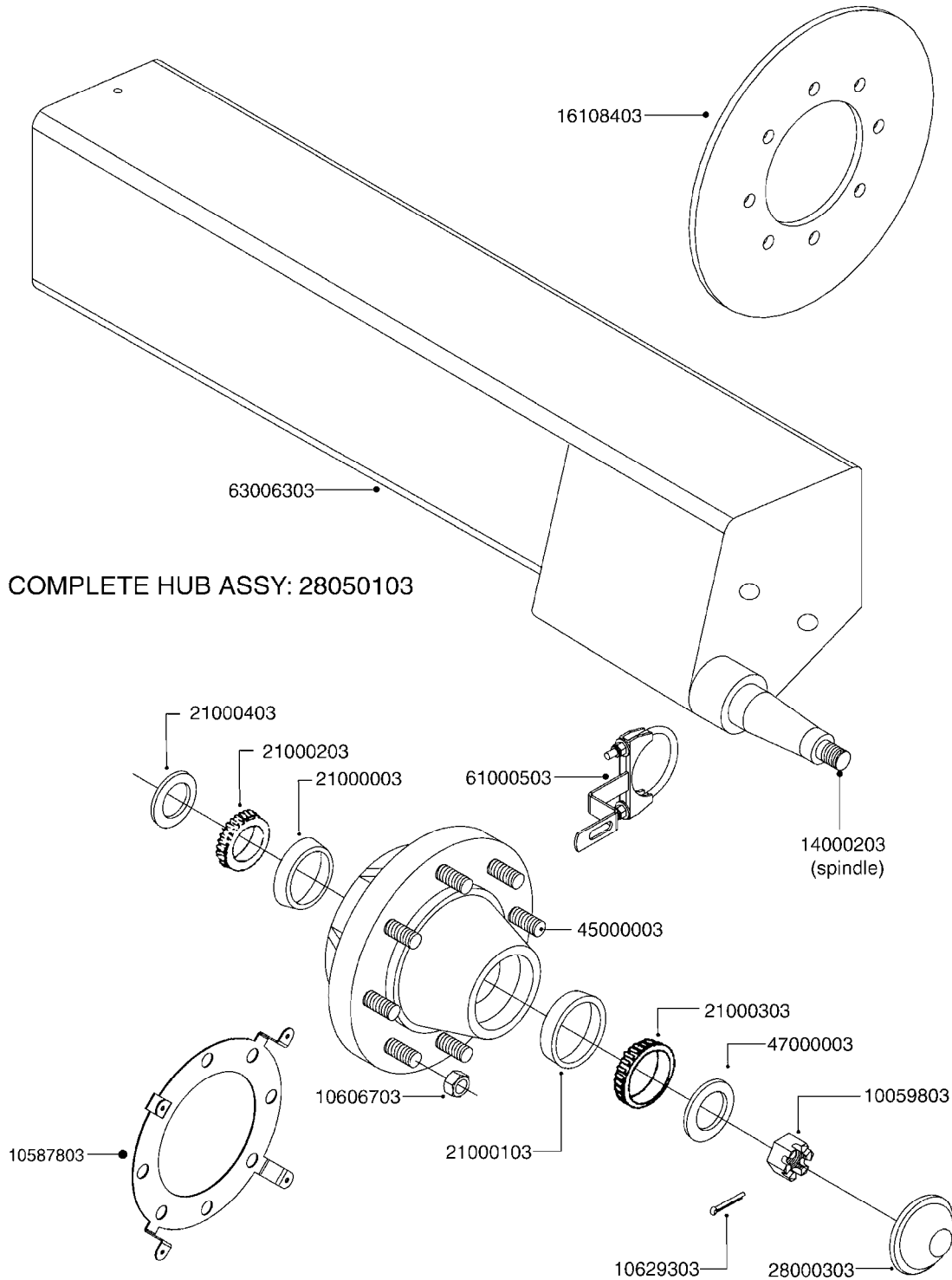
| parts-n° | order qty | description |
|----------|-----------|-----------------------------------|
| 283699 | 1 | GREASE NIPPLE M6X1 |
| 285668 | 1 | SHOCK ABSORBER L=300/465 |
| 421002 | 1 | BOLT HEX 8.8 DEL M10X30 FT DIN933 |
| 430264 | 1 | BOLT HEX 8.8 DEL M16X100 |
| 430286 | 1 | BOLT HEX 8.8 DEL M12X30 FT |
| 430485 | 1 | BOLT HEX 8.8 DEL M12X90 |
| 430721 | 1 | BOLT HEX 8.8 DEL M12X40 FT |
| 430872 | 1 | BOLT HEX 8.8 DEL M12X100 FT |
| 460423 | 1 | NUT HEX M10X1.5 LOCK |
| 460585 | 1 | NUT HEX M16X2 LOCK |
| 460703 | 1 | NUT HEX M12X1.75 LOCK DIN985 |
| 10615903 | 1 | TIRE ASSY 2-3/16 OFFSET RH |
| 10616003 | 1 | TIRE ASSY 2-3/16 OFFSET LH |
| 10628103 | 1 | TIRE ASSY 12.4X42 10PLY 8BLTL |
| 10628203 | 1 | TIRE ASSY 12.4X42 10PLY 8BLTR |
| 22000203 | 1 | SPRING 1100 NAV. SUSPENSION |
| 22000303 | 1 | SPRING 575 NAV. SUSPENSION |
| 28050003 | 1 | HUB F 3.5" 873 15000# PACKAGE |
| 28050103 | 1 | HUB F 3" 758 7500# PACKAGE |
| 33000204 | 1 | BUSHING F. SUS. SWAY BAR NAV. |
| 46001003 | 1 | NUT HEX 5/8"-11 NYLOCK |
| 61008604 | 1 | BEARING BOLT D30X108 |
| 61009004 | 1 | SWAYBAR F.SUS. 575-1100 NAV. |
| 63006103 | 1 | AXLE INSERT W/M NAV. 1100 |
| 63006303 | 1 | AXLE INSERT W/M SUS. 575 NAV |
| 63008103 | 1 | AXLE SWING ARM 1100 NAV. |
| 63020504 | 1 | SPRING MT. BOTTOM RH 1100 NAV. |
| 63020604 | 1 | SPRING MT. BOTTOM LH 1100 NAV. |
| 63020704 | 1 | AXLE INSERT WEDGE NAV. |
| 63020804 | 1 | SPRING MOUNT TOP RH NAV. |
| 70027603 | 1 | TIRE ASSY 12.4X42 10PLY 10B RH |
| 70027703 | 1 | TIRE ASSY 12.4X42 10PLY 10B LH |
| 70030603 | 1 | TIRE ASSY 11.2-38 RH |
| 70030703 | 1 | TIRE ASSY 11.2-38 LH |



HUB ASSY 3" SPINDLE NAV 575
F441-HIN, 19:06:10

Page 0

Date 06.04.2015 11:26



F441



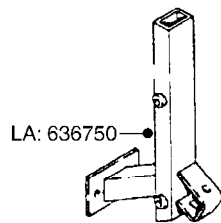
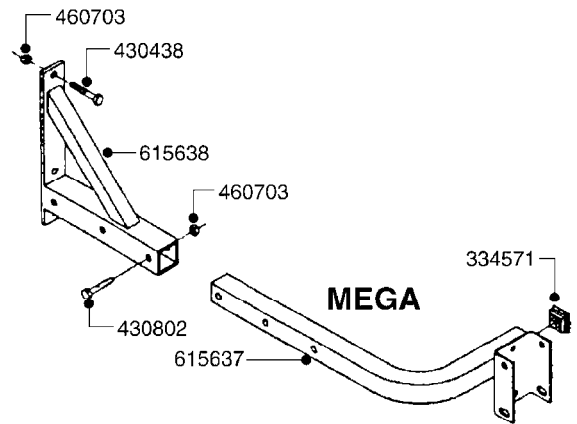
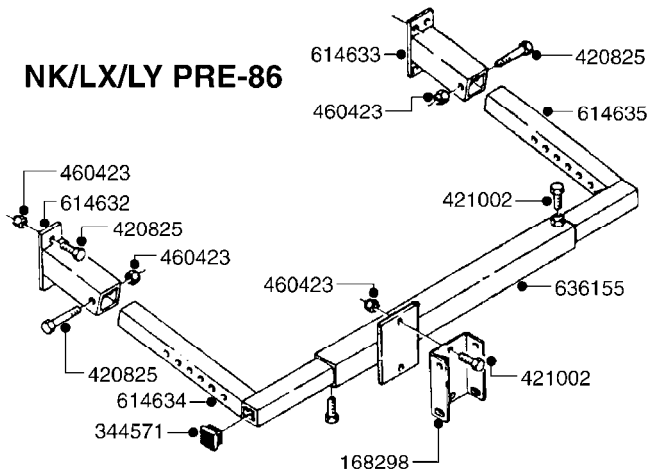
HUB ASSY 3" SPINDLE NAV 575
F441-HIN, 19:06:10

Page 1
Date 06.04.2015 11:26

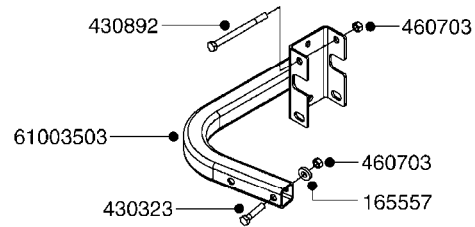
| parts-n° | order qty | description |
|----------|-----------|---|
| 10059803 | 1 | NUT HEX NF 1" |
| 10587803 | 1 | MAG MNT F. SPEED SNS 8 BOLT |
| 10606703 | 1 | NUT HEX NF 5/8" FLANGED F.STUD |
| 10629303 | 1 | PIN, COTTER 7/32" X 1.75" LONG |
| 14000203 | 1 | SPINDLE 3" X 16" W/NUT &WASHER |
| 16108403 | 1 | REINFORCEMENT RING 8-8-6 HUB FOR NON-REINFORCED 3/8" RIMS ONLY |
| 21000003 | 1 | BEARING INNER CUP #382A |
| 21000103 | 1 | BEARING OUTER CUP #LM501310 |
| 21000203 | 1 | BEARING INNER CONE #387AS |
| 21000303 | 1 | BEARING OUTER CONE #LM501349 |
| 21000403 | 1 | SEAL GREASE #CR29968 |
| 28000303 | 1 | DUST CAP #1609 |
| 28050103 | 1 | HUB F 3" 758 7500# PACKAGE |
| 45000003 | 1 | STUD BOLT 5/8" X 2-1/2" |
| 47000003 | 1 | WASHER SPNDL 3" 1.12X2.1 .25TK |
| 61000503 | 1 | SPEED SNS MNT CLAMP - 3" |
| 63006303 | 1 | AXLE INSERT W/M SUS. 575 NAV |



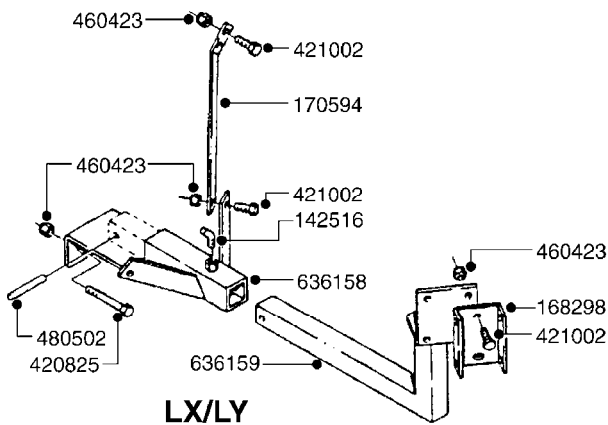
NK/LX/LY PRE-86



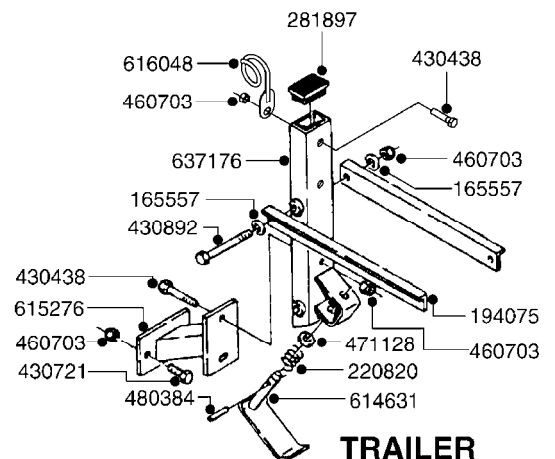
3PT TWIN



NEW NAVIGATOR



LX/LY



TRAILER

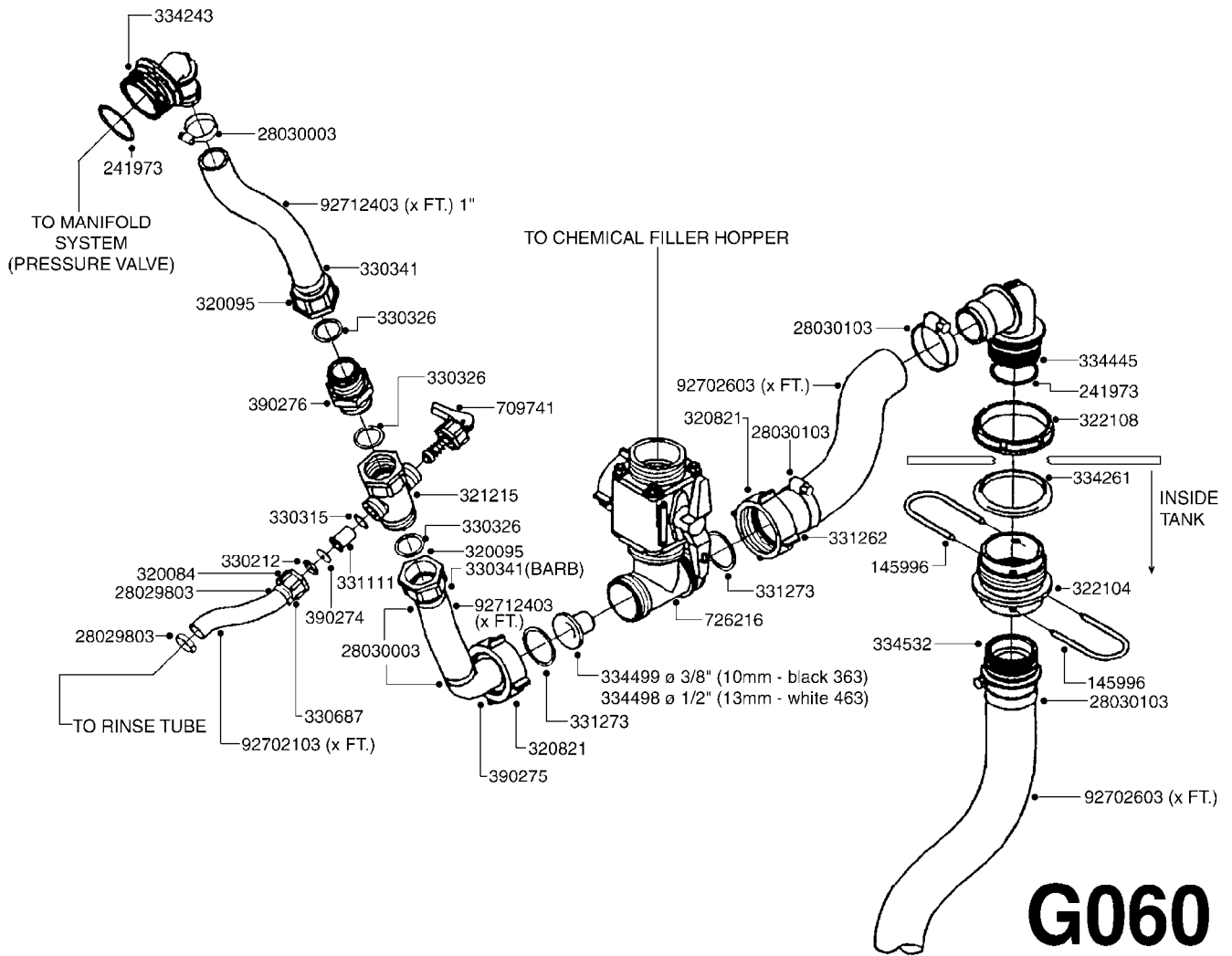
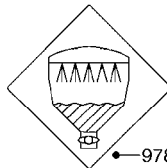
G050



CHEM.FILLER-MOUNTING BRACKETS
G050-HIN, 06:10:10

Page 1
Date 06.04.2015 11:26

| parts-n° | order qty | description |
|----------|-----------|-----------------------------------|
| 142516 | 1 | SCREW SET M10 BENT F. LOCKING |
| 165557 | 1 | WASHER D28.0/D12.2X2.0 SS |
| 168298 | 1 | INTERM BRACKET |
| 170594 | 1 | 170594 |
| 194075 | 1 | MOUNT ARM F.CHEM.FILL BRACKET |
| 220820 | 1 | SPRING D20.5/2.0 0-50MM |
| 281897 | 1 | COVER PLUG |
| 334571 | 1 | TAPON 40x40x2 EMBELLECEDOR |
| 420825 | 1 | BOLT HEX 8.8 DEL M10X65 |
| 421002 | 1 | BOLT HEX 8.8 DEL M10X30 FT DIN933 |
| 430323 | 1 | BOLT HEX 8.8 DEL M12X60 |
| 430438 | 1 | BOLT HEX 8.8 DEL M12X65 |
| 430721 | 1 | BOLT HEX 8.8 DEL M12X40 FT |
| 430802 | 1 | BOLT HEX 8.8 DEL M12X75 |
| 430892 | 1 | BOLT HEX 8.8 DEL M12X110 |
| 460423 | 1 | NUT HEX M10X1.5 LOCK |
| 460703 | 1 | NUT HEX M12X1.75 LOCK DIN985 |
| 471128 | 1 | WASHER D30/D17X3 |
| 480384 | 1 | PIN COTTER 3/16 x 1-1/2" |
| 480502 | 1 | PIN RETAINING M10X50 DIN 1481 |
| 614631 | 1 | FOOT PEDAL FOR FILLER |
| 614632 | 1 | SOCKET FOR SUSPENSION LEFT |
| 614633 | 1 | SOCKET FOR SUSPENSION RIGHT |
| 614634 | 1 | MOUNT BRACKET F.ACCESS. RIGHT |
| 614635 | 1 | MOUNT BRACKET F. ACCESS. LEFT |
| 615276 | 1 | BRACKET F.CHEM.FILL MOUNT |
| 615637 | 1 | MNT. BRKT. MEGA CHEM. FILLER |
| 615638 | 1 | MOUNT BKT.F.CHEM FILLER MEGA |
| 616048 | 1 | HOSE HOLDER |
| 636155 | 1 | CENTER-PCS. F.SUSPENSION |
| 636158 | 1 | TELESCOPE HOLDER |
| 636159 | 1 | TELESCOPE PIPE F.HARDI FILLER |
| 636750 | 1 | 636750 |
| 637176 | 1 | CONSOLE F. CHEMFILL BRACKET |



G060

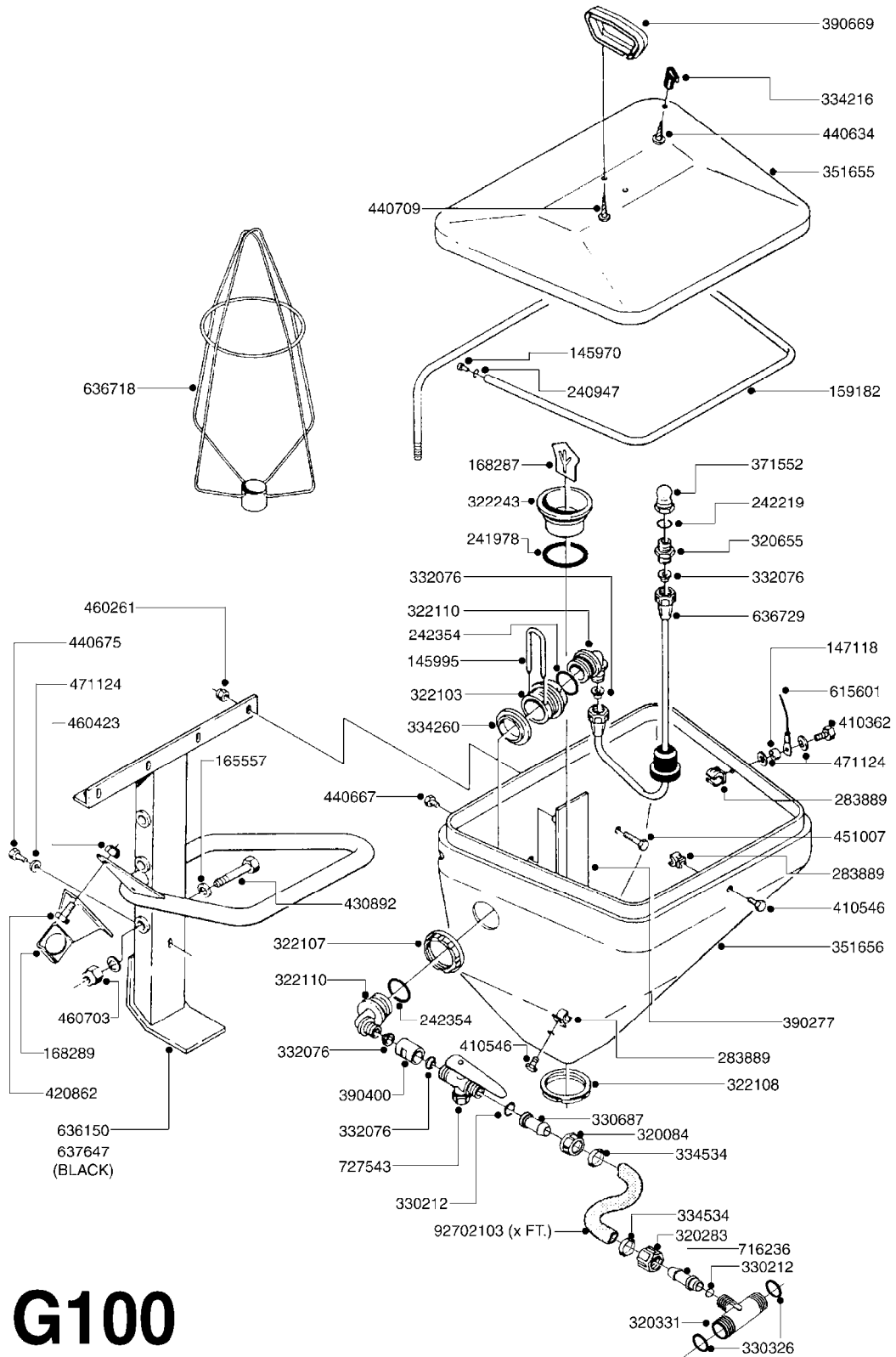


CHEM. FILLER-PLUMBING-MANIFOLD
G060-HIN, 09:12:09

Page 1

Date 06.04.2015 11:26

| parts-n° | order qty | description |
|----------|-----------|--------------------------------|
| 145996 | 1 | FITT.DK S-67 FORK |
| 241973 | 1 | O-RING 44.2 x 3.0 (use-242353) |
| 320084 | 1 | FITT.DK NUT 1/2" BSP |
| 320095 | 1 | FITT.DK NUT 1" BSP |
| 320821 | 1 | FITT.DK NUT 1-1/2" BSP |
| 321215 | 1 | FITT.DK HOUSING F. AGITATION |
| 322104 | 1 | FITT.DK S-67 BULKHEAD |
| 322108 | 1 | FITT.DK S-67 BULKHEAD NUT |
| 330212 | 1 | O-RING D19/D14X2.4 F.1/2"NUT |
| 330315 | 1 | O-RING D18.4/D13X.6 |
| 330326 | 1 | O-RING D30/D24X2 F.1"NUT |
| 330341 | 1 | FITT.DK HB 1" F. 1" NUT |
| 330687 | 1 | FITT.DK HB 1/2" F. 1/2" NUT |
| 331111 | 1 | VALVE SEAT FOR 1/2" DISTRIBUT. |
| 331262 | 1 | FITT.DK HB 1-1/2" F. 1-1/2"NUT |
| 331273 | 1 | O-RING D44/D38X2 F.1-1/2" |
| 334243 | 1 | FITT.DK S-67 ELB.1" |
| 334261 | 1 | GASKET F. S-67 BULKHEAD |
| 334445 | 1 | FITT.DK S-67 ELB.1-1/2" |
| 334498 | 1 | NOZZLE INJECTOR 13MM/462 WHITE |
| 334499 | 1 | NOZZLE INJECTOR 10MM/361 BLACK |
| 334532 | 1 | FITT.DK S-67 STR.1-1/2' W/HOLE |
| 390274 | 1 | ORIFICE ID4.0/18/1.5 |
| 390275 | 1 | FITT.DK ELB 1' SPECIAL F.CHEMF |
| 390276 | 1 | FITT.DK HN 1'BSP |
| 709741 | 1 | VALVE ASSY. 1/2" FLIP LEVER |
| 726216 | 1 | VALVE TWO WAY |
| 978336 | 1 | DECAL MANIFOLD SYS.CHEM.FILL |
| 28029803 | 1 | CLAMP HOSE GEAR P1/2" 6708 |
| 28030003 | 1 | CLAMP HOSE GEAR P1" 6716 |
| 28030103 | 1 | CLAMP HOSE GEAR P5/4-S1.5"6724 |
| 92702103 | 1 | HOSE R X1/2" X300PSI WP X0012" |
| 92702603 | 1 | HOSE PVC SUCT GRAY 1-1/2" |
| 92712403 | 1 | HOSE R X1" X300PSI WP X0012" |



G100



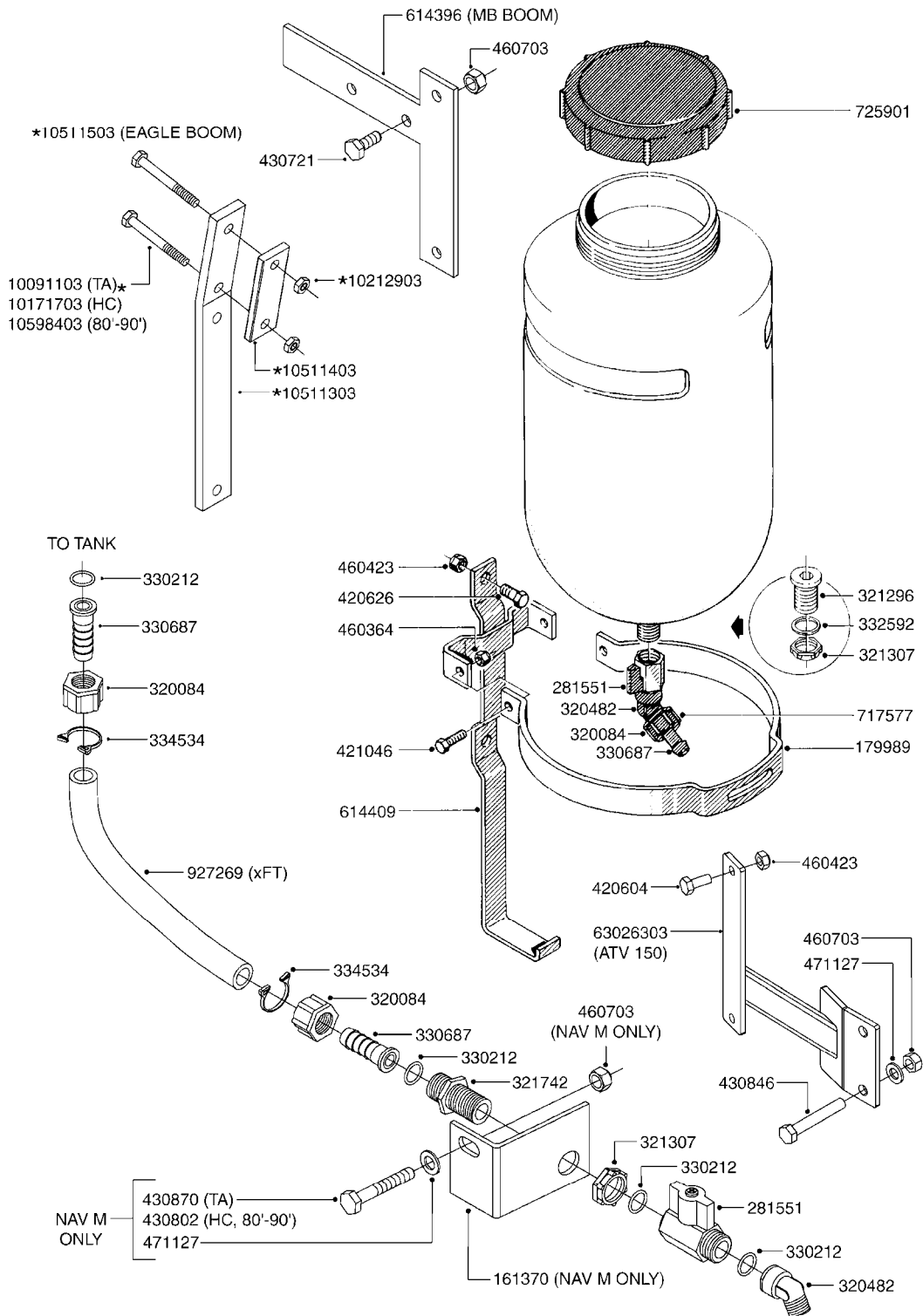
CHEMICAL FILLER-HOPPER (POST95)
G100-HIN, 19:05:11

Page 1
Date 06.04.2015 11:26

| parts-n° | order qty | description |
|----------|-----------|--------------------------------|
| 145970 | 1 | PLUG MF 11 X 1 |
| 145995 | 1 | FITT.DK S-53 FORK |
| 147118 | 1 | BUSHING 10,0/6,2 L=5 CHEM FILL |
| 159182 | 1 | RINSING TUBE CHEM.FILL |
| 165557 | 1 | WASHER D28.0/D12.2X2.0 SS |
| 168287 | 1 | PLATE ANTI-VORTEX F.CHEM FILL |
| 168289 | 1 | BRACKET F. 3-WAY VALVE |
| 240947 | 1 | O-RING D7.3X2.4 NITRIL |
| 241978 | 1 | O-RING 64.5X3.0 |
| 242219 | 1 | O-RING D16.3X2.4 VITON |
| 242354 | 1 | O-RING D32.2X3.0 VITON F.S-53 |
| 283889 | 1 | CLIP F.TUBE SUPPORT |
| 320084 | 1 | FITT.DK NUT 1/2" BSP |
| 320283 | 1 | FITT.DK NUT 3/4"BSP |
| 320331 | 1 | FITT.DK TEE 1" - 1" - 3/4" BSP |
| 320655 | 1 | FITT.DK HN 1/2"-1/2" BSP |
| 322103 | 1 | FITT.DK S-53 BULKHEAD |
| 322107 | 1 | FITT.DK S-53 BULKHEAD NUT |
| 322108 | 1 | FITT.DK S-67 BULKHEAD NUT |
| 322110 | 1 | FITT.DK S-53 ELB. 1/2" BSP |
| 322243 | 1 | DRAIN PIPE/CHEM FIL.S67/S56 |
| 330212 | 1 | O-RING D19/D14X2.4 F.1/2"NUT |
| 330326 | 1 | O-RING D30/D24X2 F.1"NUT |
| 330687 | 1 | FITT.DK HB 1/2" F. 1/2" NUT |
| 332076 | 1 | CONE INSERT F. ALUMINUM LANCE |
| 334216 | 1 | RUBBER LATCH FOR CHEM.FILL |
| 334260 | 1 | GASKET F. S-53 BULKHEAD |
| 334534 | 1 | CLAMP HOSE PLASTIC 1/2" |
| 351655 | 1 | LID CHEM FILL.25L POST 95 |
| 351656 | 1 | HOPPER F.CHEM FILL 25L POST'96 |
| 371552 | 1 | NOZZLE F.RINSING |
| 390277 | 1 | SCALE PLATE FOR HARDI FILLER |
| 390400 | 1 | FITT.DK BULKHEAD 1/2'X1/2' |
| 390669 | 1 | HANDLE F.CHEM FILLER |
| 410362 | 1 | BOLT HEX 8.8 SS M6X20 FT |
| 410546 | 1 | BOLT HEX SS M6X12 FT |
| 420862 | 1 | BOLT HEX 8.8 DEL M10X16 FT |
| 430892 | 1 | BOLT HEX 8.8 DEL M12X110 |
| 440634 | 1 | SCREW 5/8" |
| 440667 | 1 | SCREW M3.5X12 SLOT STAINLESS |
| 440675 | 1 | SCREW F. PLASTIC 5X16 SS |
| 440709 | 1 | SCREW 60X12 CHEM.FILL HANDLE |
| 451007 | 1 | SCREW M6X20 STAINLESS |
| 460261 | 1 | NUT HEX M6X1 LOCK A2 DIN985 |
| 460423 | 1 | NUT HEX M10X1.5 LOCK |
| 460703 | 1 | NUT HEX M12X1.75 LOCK DIN985 |
| 471124 | 1 | WASHER D18/D6.4x1.6 |
| 615601 | 1 | BUNGEE CORD 21-1/4" |
| 636150 | 1 | FRAME FOR CHEM FILL TANK |
| 636718 | 1 | RINSE SUPPORT CHEM.FILL 25/35L |
| 636729 | 1 | TUBE F. RINSE CHEM FILL |
| 637647 | 1 | BRACKET F.CHEMFILL |
| 716236 | 1 | FITT.DK HB 1/2" ASSY. F. 3/4" |
| 727543 | 1 | VALVE F.CHEM FILL JUG RINSE |
| 92702103 | 1 | HOSE R X1/2" X300PSI WP X0012" |



CLEAN WATER TANK
G110-HIN, 26:06:06



COMPLETE TANK ASSY : 722072

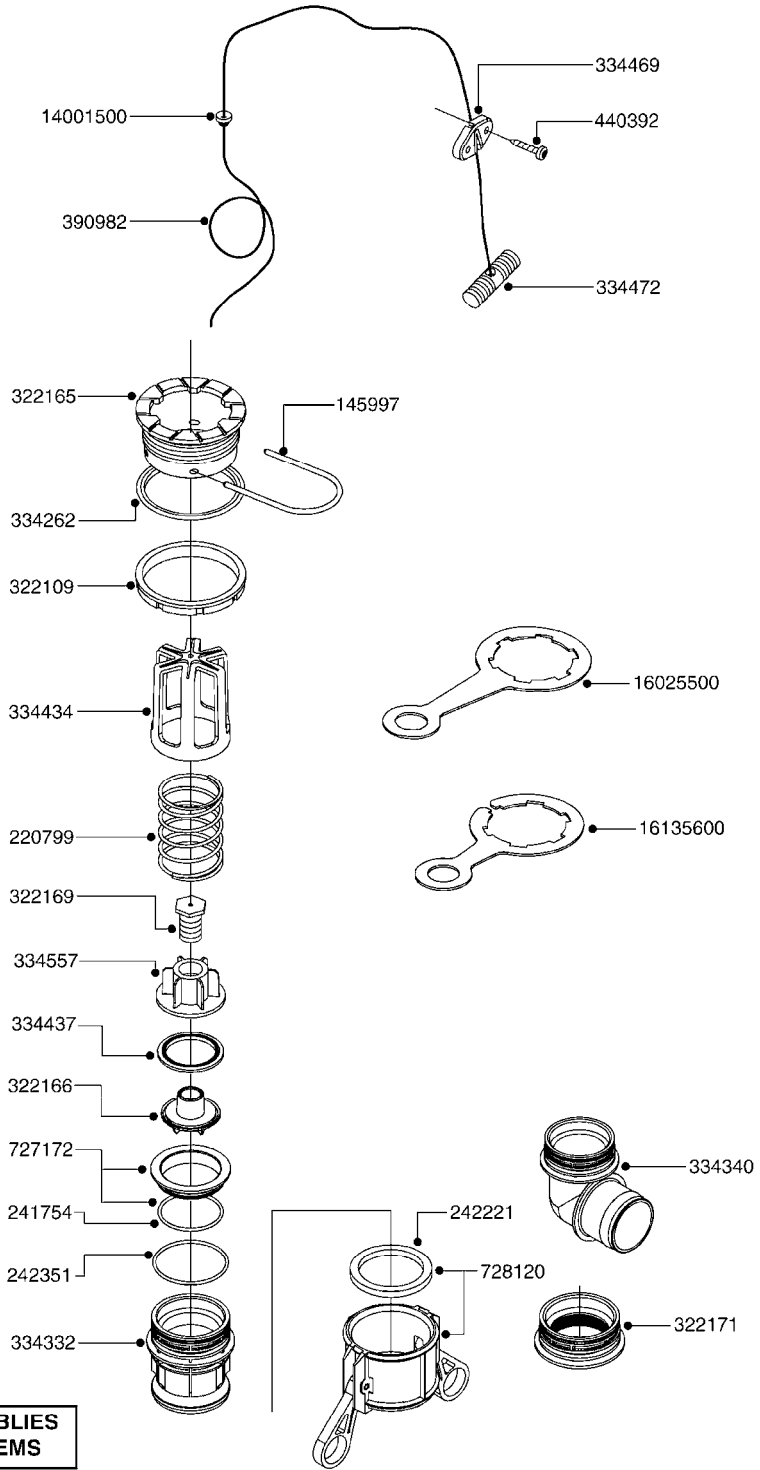
G110



CLEAN WATER TANK
G110-HIN, 26:06:06

Page 1
Date 06.04.2015 11:26

| parts-n° | order qty | description |
|----------|-----------|-------------------------------------|
| 161370 | 1 | BKT.CLEAN WATER BOTT. VALVE |
| 179989 | 1 | BRKT. F. 3 GAL. TANK |
| 281551 | 1 | BALL VALVE 1/2" |
| 320084 | 1 | FITT.DK NUT 1/2" BSP |
| 320482 | 1 | FITT.DK ELB. 1/2" BSP 60 DEG. |
| 321296 | 1 | FITT.DK BULKHEAD 1/2" BSP SING |
| 321307 | 1 | FITT.DK NUT 1/2" BSP JAMB |
| 321742 | 1 | FITT.DK BULKHEAD 1/2' BSP |
| 330212 | 1 | O-RING D19/D14X2.4 F.1/2"NUT |
| 330687 | 1 | FITT.DK HB 1/2" F. 1/2" NUT |
| 332592 | 1 | O-RING D26/D20X3 |
| 334534 | 1 | CLAMP HOSE PLASTIC 1/2" |
| 420604 | 1 | BOLT HEX 8.8 DEL M10X25 FT DIN933 |
| 420626 | 1 | BOLT HEX 8.8 DEL M10X20 FT |
| 421046 | 1 | BOLT HEX 8.8 DEL M8X25 FT A2 DIN933 |
| 430721 | 1 | BOLT HEX 8.8 DEL M12X40 FT |
| 430802 | 1 | BOLT HEX 8.8 DEL M12X75 |
| 430846 | 1 | BOLT HEX 8.8 DEL M12X80 |
| 430870 | 1 | BOLT HEX 8.8 DEL M12X55 FT |
| 460364 | 1 | NUT HEX M8 GALV. |
| 460423 | 1 | NUT HEX M10X1.5 LOCK |
| 460703 | 1 | NUT HEX M12X1.75 LOCK DIN985 |
| 471127 | 1 | WASHER D24/D13X2.5 STAINLESS |
| 614396 | 1 | CLEAN WATER BRACKET MB |
| 614409 | 1 | BRACKET FOR FOAM MARKER |
| 717577 | 1 | VALVE F.CLEAN WATER TANK |
| 722072 | 1 | CLEAN WATER TANK W FRAME & TAP |
| 725901 | 1 | LID F.WATER BOTTLE VENTED |
| 927269 | 1 | HOSE R X PVC X 1/2 X 0012" |
| 10091103 | 1 | BOLT HEX 3/8 NC GR.2 03.00' |
| 10171703 | 1 | BOLT HEX 3/8 NC GR.2 03.50" |
| 10212903 | 1 | NUT HEX NC (NYLON LOCK) 3/8" |
| 10511303 | 1 | FLATBAR L350/17DEG.CLEAN WATER |
| 10511403 | 1 | FLATBAR 104MM CLEAN WATER |
| 10511503 | 1 | BKT.CLEAN WATER MOUNT EAGLE |
| 10598403 | 1 | BOLT HEX HCS3/8-16 X 4 Z 5 |
| 63026303 | 1 | CLEAN WATER TANK BRKT, ATV |



COMPLETE ASSEMBLIES
WHOLEGOODS ITEMS

727617 - COMPLETE ASSEMBLY (2" BSP THREADED FITTING & 126" CORD)
727742 - COMPLETE ASSEMBLY (2-1/2" ELBOW & 157.5" CORD)

G120

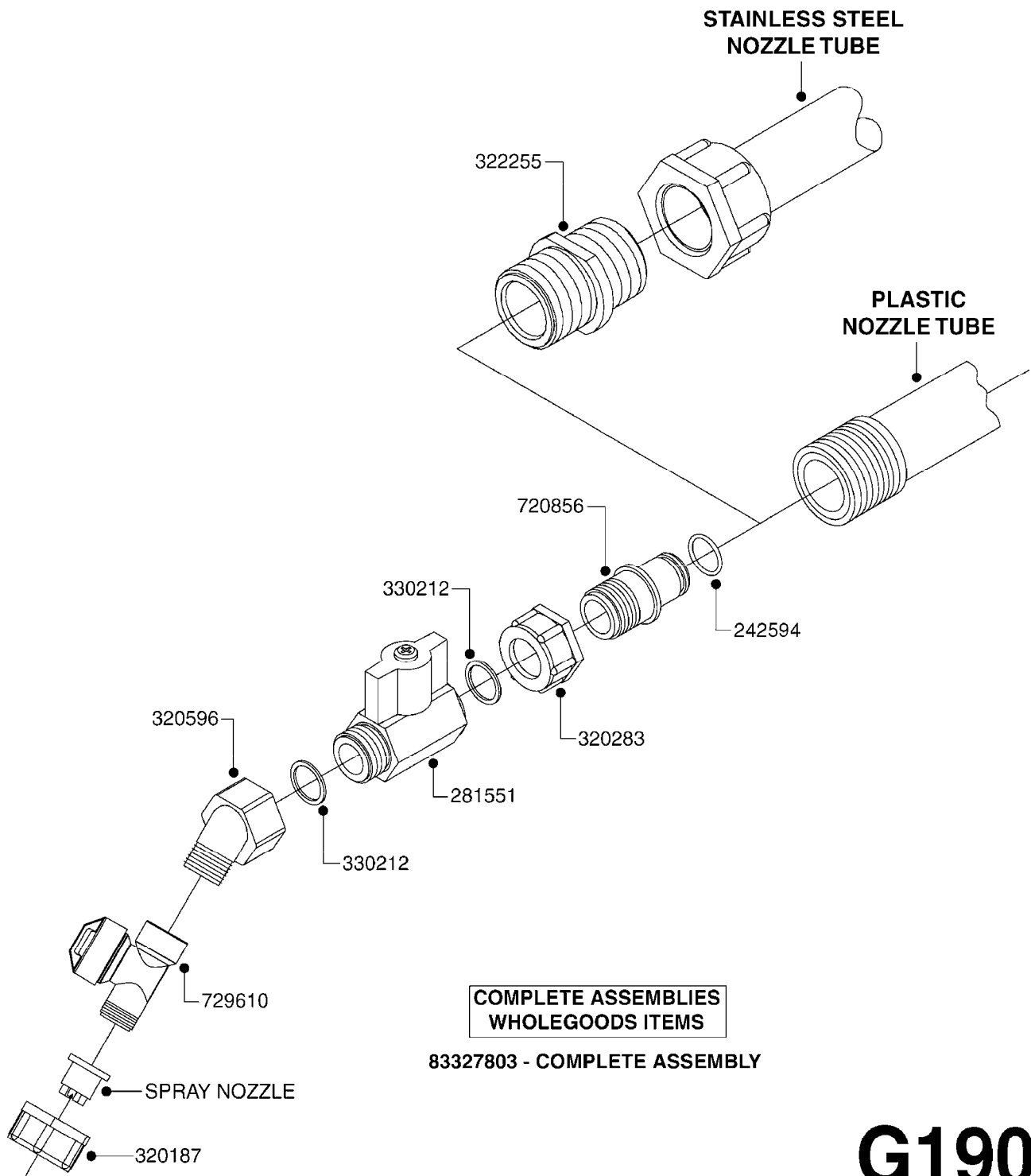


DRAIN ASSEMBLY-PULL CORD TYPE
G120-HIN, 05:04:12

Page 1

Date 06.04.2015 11:26

| parts-n° | order qty | description |
|----------|-----------|--------------------------------|
| 145997 | 1 | FITT.DK S-93 FORK |
| 220799 | 1 | SPRING F.TOP DRAIN |
| 241754 | 1 | O-RING D59.5X3 |
| 242221 | 1 | GASKET F. S-93 QUICK COUPLERS |
| 242351 | 1 | O-RING D69.5X3.0 VITON F.S-93 |
| 322109 | 1 | FITT.DK S-93 BULKHEAD NUT |
| 322165 | 1 | FITT.DK S-93 BULKHEAD SINGLE |
| 322166 | 1 | VALVE FLAP LOWER PART |
| 322169 | 1 | CORD PLUG F.TOP DRAIN |
| 322171 | 1 | FITT.DK S-93 THREAD INS.2"BSP |
| 334262 | 1 | GASKET F.S-93 BULKHEAD |
| 334332 | 1 | FITT.DK S-93 MALE QUICK COUP. |
| 334340 | 1 | FITT.DK S-93 ELBOW 2.5" |
| 334434 | 1 | CAGE F.SPRING BOTTOM DRAIN ASY |
| 334437 | 1 | SEAL FOR VALVE FLAP |
| 334469 | 1 | CLEVIS F.CORD TOP DRAIN ASSY. |
| 334472 | 1 | HANDLE FOR TOP DRAIN |
| 334557 | 1 | SPRING SEAT TOP DRAIN |
| 390982 | 1 | CORD NYLON 4000MM |
| 440392 | 1 | SCREW 6.3 X 25.0 DIN7981C TORX |
| 727172 | 1 | FITT.DK S-93 SEAT INSERT |
| 727617 | 1 | FITT.DK S-93 BOTTOM VALVE 2' |
| 727742 | 1 | TOP DRAIN CORD TYPE |
| 728120 | 1 | QUICK COUPLER CAP F.S93 DRAIN |
| 14001500 | 1 | GROMMET F.TOP DRAIN CORD |
| 16025500 | 1 | TANK SPACER SIGHT GAUGE |
| 16135600 | 1 | GUIDE FOR SIGHT GAUGE NAV/NCM |



G190

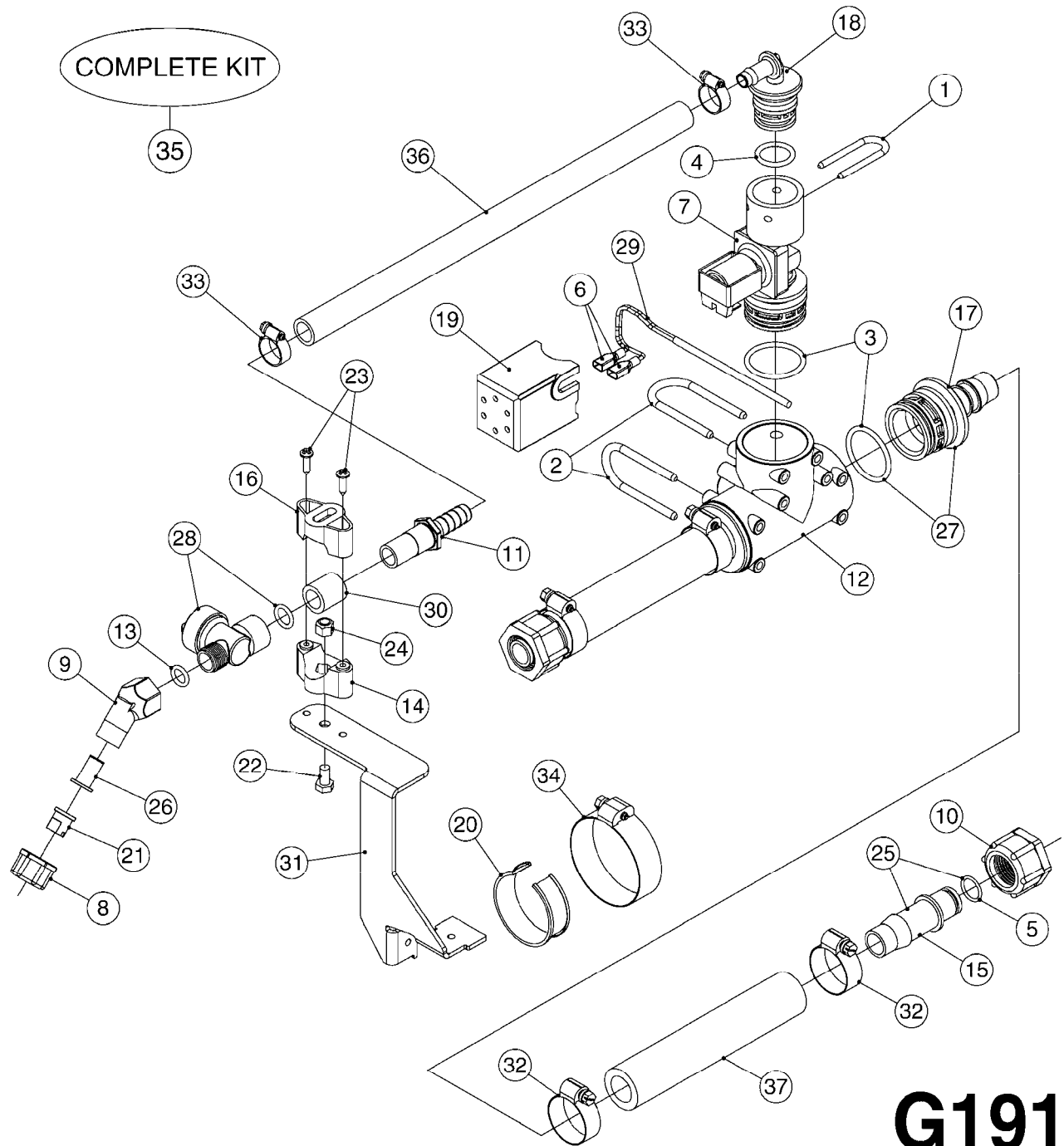


END NOZZLE KIT
G190-HIN, 28:11:06

Page 1

Date 06.04.2015 11:26

| parts-n° | order qty | description |
|----------|-----------|--------------------------------|
| 242594 | 1 | O-RING D14 X 1.78 SCH.70-EPDM |
| 281551 | 1 | BALL VALVE 1/2" |
| 320187 | 1 | FITT.DK CAP 3/8" BSP BLACK |
| 320283 | 1 | FITT.DK NUT 3/4"BSP |
| 320596 | 1 | FITT.DK ELB 3/8'-1/2'BSP 45DEG |
| 322255 | 1 | FITT.DK NIPPLE 3/4"X 3/4" |
| 330212 | 1 | O-RING D19/D14X2.4 F.1/2"NUT |
| 720856 | 1 | FITT.DK 1/2'BSP ASSY.F.3/4'NUT |
| 729610 | 1 | NOZZLE ASSY. NON DRIP 3/8 THRD |
| 83327803 | 1 | END NOZZLE KIT "04" |



G191



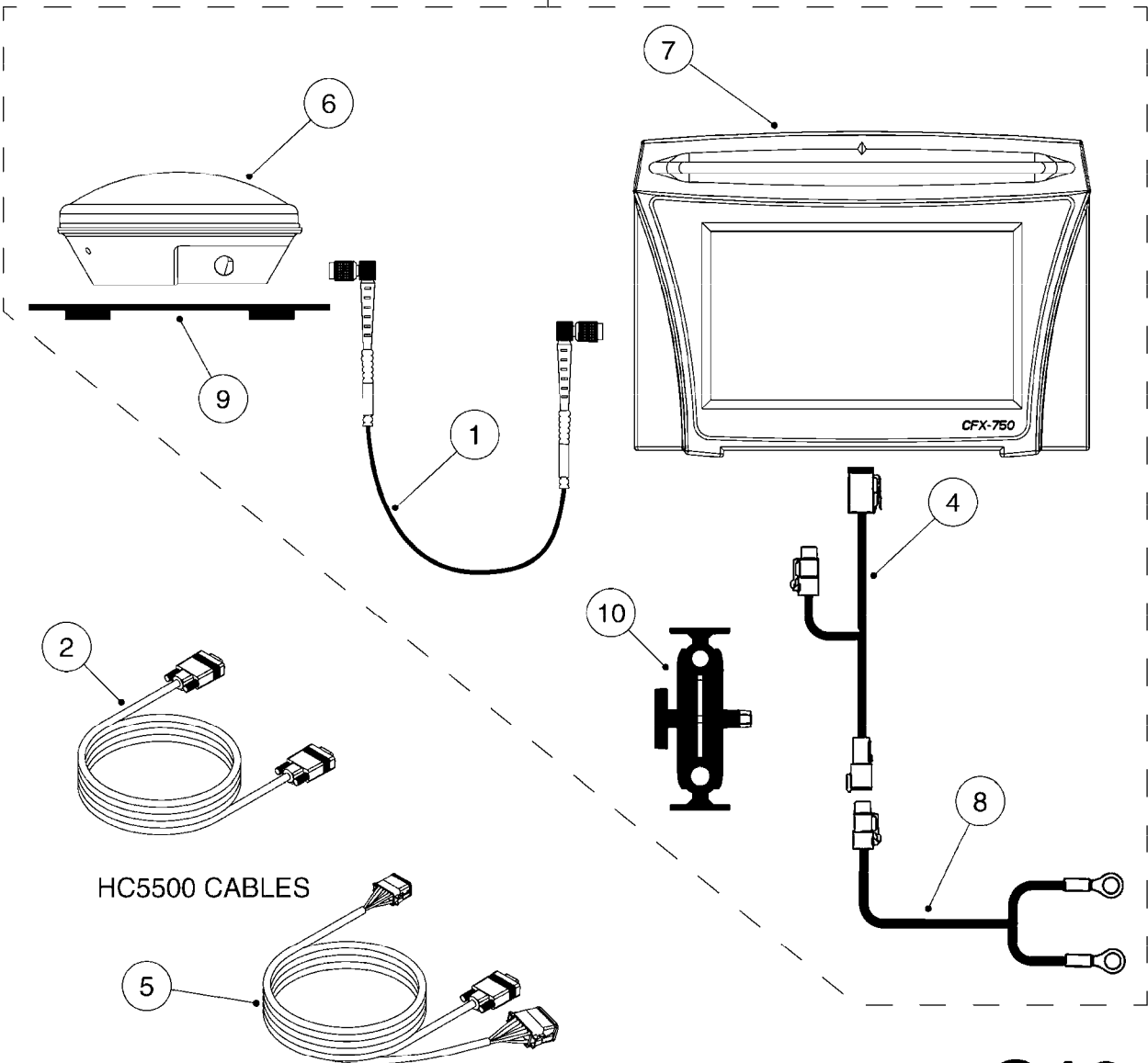
ELECTRIC END NOZZLE KIT '09
G191-HIN, 09:05:13

Page 1
Date 06.04.2015 11:26

| Pos. | parts-n° | order qty | description |
|------|----------|-----------|--------------------------------|
| 1 | 145994 | 1 | FITT.DK S-40 FORK |
| 2 | 145995 | 1 | FITT.DK S-53 FORK |
| 3 | 242354 | 1 | O-RING D32.2X3.0 VITON F.S-53 |
| 4 | 242355 | 1 | O-RING D19.2X3.0 VITON F.S-40 |
| 5 | 242594 | 1 | O-RING D14 X 1.78 SCH.70-EPDM |
| 6 | 261539 | 1 | SPADE F.ELEC CONNEX BLUE INSUL |
| 7 | 262104 | 1 | VALVE, SOLENOID, S53/S40 |
| 8 | 320187 | 1 | FITT.DK CAP 3/8" BSP BLACK |
| 9 | 320191 | 1 | FITT.DK ELB 3/8' BSP 45 DEGREE |
| 10 | 320283 | 1 | FITT.DK NUT 3/4"BSP |
| 11 | 320891 | 1 | FITT.DK HB 3/8'- 3/8' BSP |
| 12 | 322352 | 1 | FITT.DK S-53 TEE |
| 13 | 330013 | 1 | O-RING D15/D10X2.5 F.3/8"NUT |
| 14 | 333012 | 1 | NOZZLE HOLD. UPPER PART |
| 15 | 334044 | 1 | FITT.DK HB 3/4' F. 3/4' CAP |
| 16 | 334220 | 1 | YOKE, UPPER NOZZLE BODY |
| 17 | 334229 | 1 | FITT.DK S-53 STR.3/4" |
| 18 | 334237 | 1 | FITT.DK S-40 ELB.3/8' |
| 19 | 334965 | 1 | COVER FOR S53 SOLENOID VALVE |
| 20 | 341291 | 1 | RUBBER HOSE CLAMP COVER 130MM |
| 21 | 370392 | 1 | NOZZLE END FAN 1850-G 300 |
| 22 | 410546 | 1 | BOLT HEX SS M6X12 FT |
| 23 | 440665 | 1 | SCREW M4.2X16 STAINLESS |
| 24 | 460261 | 1 | NUT HEX M6X1 LOCK A2 DIN985 |
| 25 | 724621 | 1 | FITT.DK HB 3/4"ASSY F.3/4" NUT |
| 26 | 725042 | 1 | SCREEN 80 MESH W.GASKET, RED |
| 27 | 726558 | 1 | FITT.DK S53 STR. 3/4" W.ORING |
| 28 | 729610 | 1 | NOZZLE ASSY. NON DRIP 3/8 THRD |
| 29 | 983087 | 1 | ELEC. CABLE 2 WIRE X 0.75MM |
| 30 | 10631003 | 1 | HOSE R X CLEAR BRAID.X 1/2 12" |
| 31 | 16110803 | 1 | NOZZLE BRACKET VAR SPACINGS |
| 32 | 28029903 | 1 | CLAMP HOSE GEAR P3/4"-S1" 6712 |
| 33 | 28044903 | 1 | CLAMP HOSE GEAR P3/8" 6706 |
| 34 | 28047003 | 1 | CLAMP HOSE GEAR 30 X 50 6732 |
| 35 | 82613203 | 1 | ELECTRIC END NOZZLE KIT 2009 |
| 36 | 92701703 | 1 | HOSE R X3/8" X300PSI WP X0012" |
| 37 | 92703203 | 1 | HOSE R X3/4" X300PSI WP X0012" |



3 COMPLETE ASSEMBLY



G194

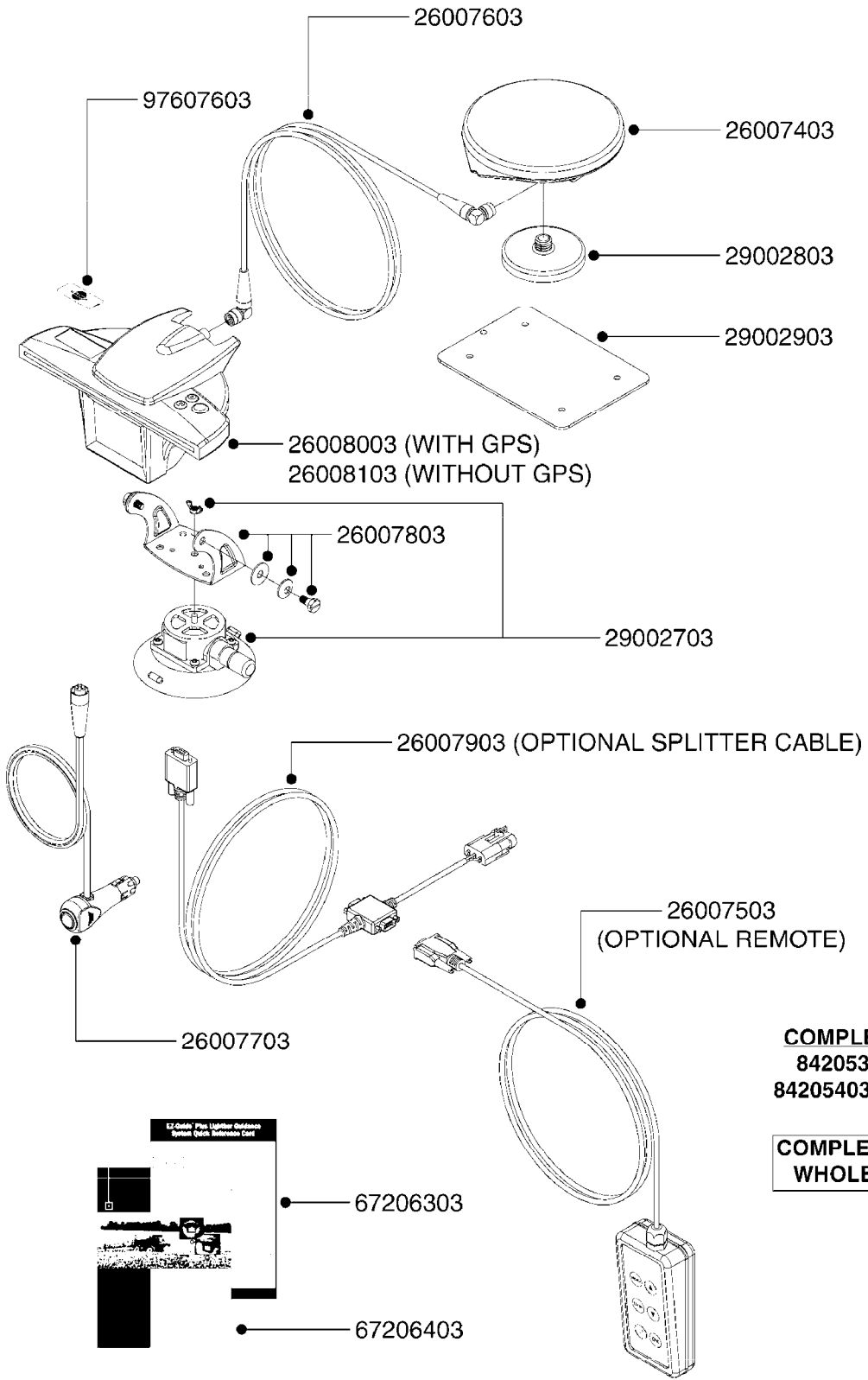


CFX-750 DISPLAY, DGPS
G194-HIN, 22:05:14

Page 1

Date 06.04.2015 11:26

| Pos. | parts-n° | order qty | description |
|------|----------|-----------|--------------------------------|
| 1 | 26007603 | 1 | CABLE, ANTENNA, EZGUIDEPLUS |
| 2 | 26012003 | 1 | NULL MODEM CABLE |
| 3 | 26021403 | 1 | CFX-750 DISPLAY, DGPS |
| 4 | 26021603 | 1 | CABLE, POWER BUS, CAN CFX-750 |
| 5 | 26021703 | 1 | CABLE, ASC INTERFACE, CFX-750 |
| 6 | 26021803 | 1 | AG-25 ANTENNA L1/L2 GLN |
| 7 | 26022103 | 1 | CFX-750 DISPLAY ONLY |
| 8 | 26022603 | 1 | CFX-750 Basic Power Cable |
| 9 | 28048203 | 1 | EZ-GUIDE 500 MOUNT F.AG15 ANT. |
| 10 | 28048303 | 1 | EZ-GUIDE 250/500 RAM MNT.1.5" |



COMPLETE ASSEMBLY:
84205303 (WITH GPS)
84205403 (WITHOUT GPS)

**COMPLETE ASSEMBLIES
WHOLEGOODS ITEMS**

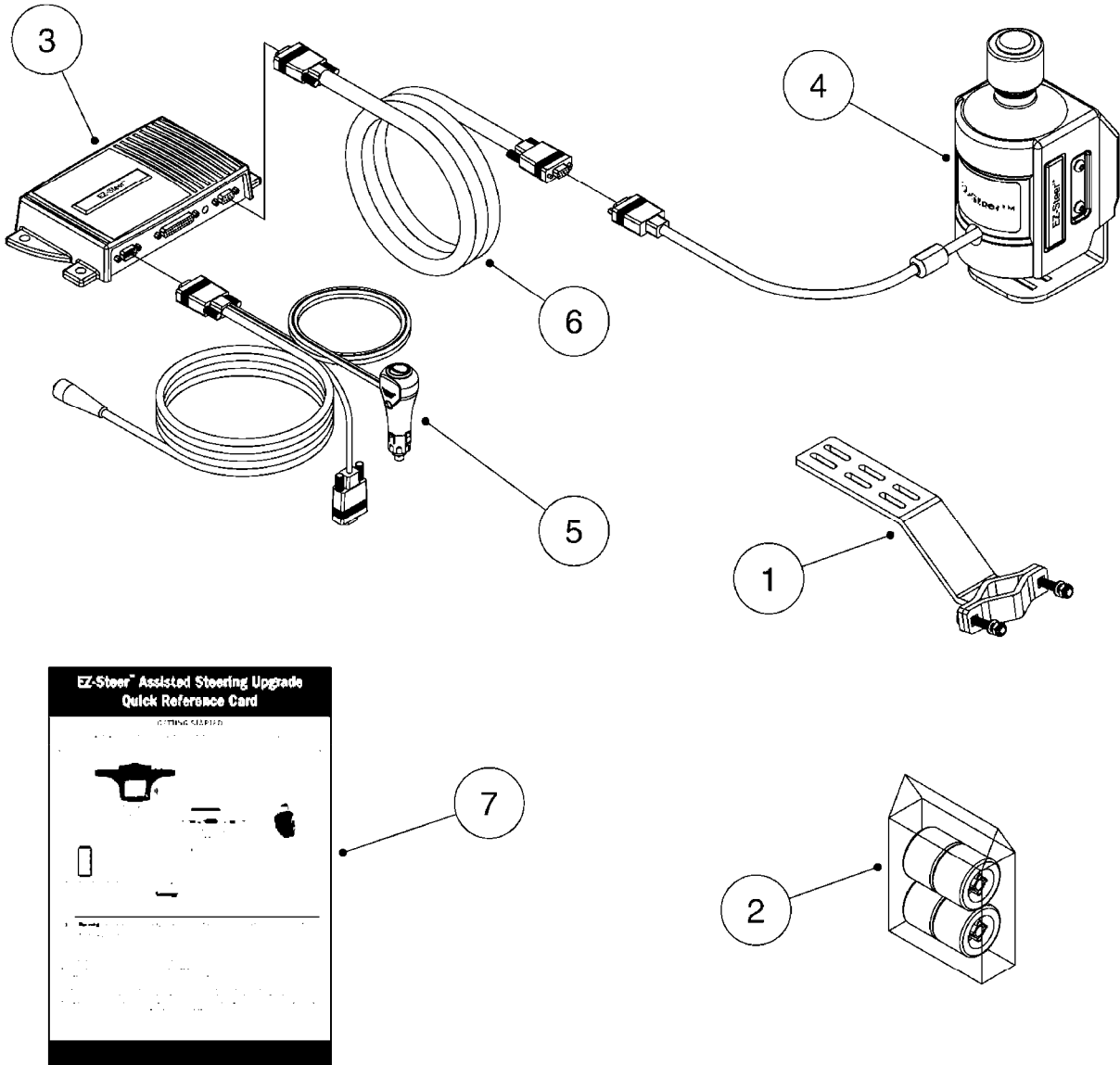
G195



EZ-GUIDE PLUS LIGHT BAR
G195-HIN, 01:01:01

Page 1
Date 06.04.2015 11:26

| parts-n° | order qty | description |
|----------|-----------|--------------------------------|
| 26007403 | 1 | ANTENNA,HURRICANE F. EZGUIDEPL |
| 26007503 | 1 | REMOTE KEYPAD EZ-GUIDE PLUS |
| 26007603 | 1 | CABLE, ANTENNA, EZGUIDEPLUS |
| 26007703 | 1 | CABLE, POWER F. EZGUIDEPLUS |
| 26007803 | 1 | BRACKET KIT F. EZGUIDEPLUS |
| 26007903 | 1 | EZ-Guide 500 External Interfac |
| 26008003 | 1 | LIGHT BAR ASSM WITH GPS |
| 26008103 | 1 | LIGHT BAR ASSM WITHOUT GPS |
| 29002703 | 1 | VACUUM CUP 4 1/2" 1420I |
| 29002803 | 1 | MOUNT, MAG F. ANTENNA |
| 29002903 | 1 | PLATE, F. ANTENNA MOUNT |
| 67206303 | 1 | QUICK REFERENCE CARD EZ-GUIDE+ |
| 67206403 | 1 | MANUAL EZ GUIDE PLUS |
| 84205303 | 1 | EZ GUIDE PLUS W GPS, NO LABLE |
| 84205403 | 1 | EZ GUIDE PLUS W/O GPS,NO LABLE |
| 97607603 | 1 | DECAL COMPANY 45MM X 20MM |



COMPLETE ASSEMBLY

8

COMPLETE ASSEMBLIES
WHOLEGOODS ITEMS

G196

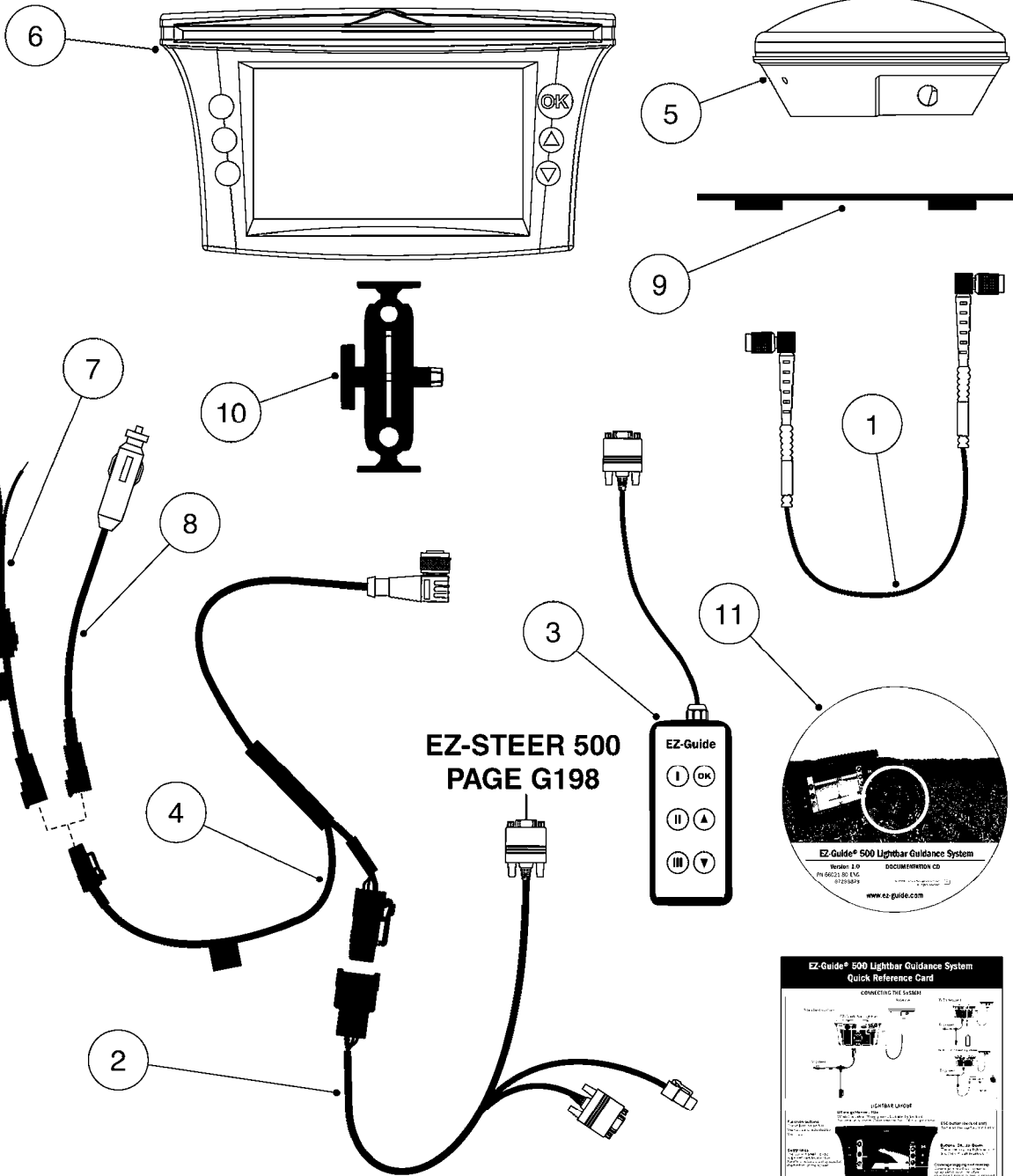


EZ-STEER STEERING SYSTEM
G196-HIN, 15:11:09

Page 1

Date 06.04.2015 11:26

| Pos. | parts-n° | order qty | description |
|------|----------|-----------|---------------------------------|
| 1 | 26008803 | 1 | EZ-STR.BKT-JD 4000,8000 4WD |
| 1 | 26008903 | 1 | EZ-STR.BKT-JD80002WD,7X20,9000 |
| 1 | 26009003 | 1 | EZ-STR.BKT-CASE IH 7100/7200 |
| 1 | 26009103 | 1 | EZ-STR.BKT-JD COMBINE&ROGATOR |
| 1 | 26009203 | 1 | EZ-STR.BKT-JD 6000,7000 |
| 1 | 26009303 | 1 | EZ-STR.BKT-BUHLER,NH VERSATILE |
| 1 | 26009403 | 1 | EZ-STR.BKT-STEIGER,NH VERSATIL |
| 1 | 26009503 | 1 | EZ-STR.BKT-INTERNATIONAL TRUCK |
| 1 | 26009603 | 1 | EZ-STR.BKT-AGCHEM TERRAGATOR |
| 1 | 26009703 | 1 | EZ-STR.BKT-CASE IH MXM |
| 1 | 28036903 | 1 | EZ-STR.BKT-CASE IH COMB.1600 |
| 1 | 28037003 | 1 | EZ-STR.BKT-JD 89XX,71XX,72XX |
| 1 | 28037103 | 1 | EZ-STR.BKT-JD 8000/9000 |
| 1 | 28037203 | 1 | EZ-STR.T2 TERRAIN COMP.UPDATE |
| 1 | 28037303 | 1 | EZ-STR.BKT-SPR.COUPPE 3000/4000 |
| 1 | 28038203 | 1 | EZ-STR.BKT-FENDT 924 |
| 1 | 28046503 | 1 | EZ-STR.BKT-AGCO DT/RT,MF64/74 |
| 1 | 28047803 | 1 | EZ-STR.BKT.-NH TVT,CASE IH CVX |
| 1 | 28050203 | 1 | EZ-STR.BKT-CASE JX(U),NH TL(A) |
| 1 | 28055203 | 1 | EZ-STR.BKT-CASE MXM/N.HOLLAND |
| 1 | 28055903 | 1 | EZ-STR.BKT-WILMAR EAGLE |
| 2 | 26009803 | 1 | EZ-STEER FOAM WHEELS 4-PK |
| 3 | 26009903 | 1 | EZ-STEER CONTROLLER |
| 4 | 26010003 | 1 | EZ-STEER MOTOR KIT |
| 5 | 26010103 | 1 | EZ-STEER POWER CABLE |
| 6 | 26010203 | 1 | EZ-STEER MOTOR CABLE 3M |
| 7 | 67210803 | 1 | QUICK REFERENCE CARD EZ-STEER |
| 8 | 84205503 | 1 | EZ-STEER SYSTEM COMPLETE |



EZ-STEER 500
PAGE G198

COMPLETE ASSEMBLY 13

COMPLETE ASSEMBLIES
WHOLEGOODS ITEMS

G197

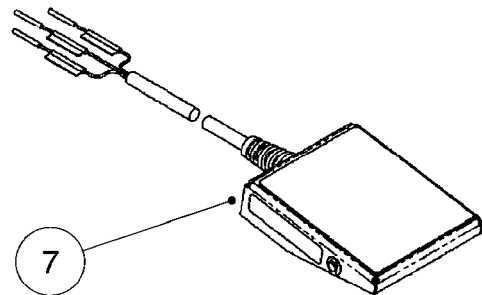
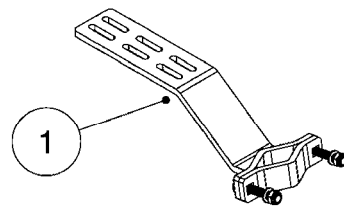
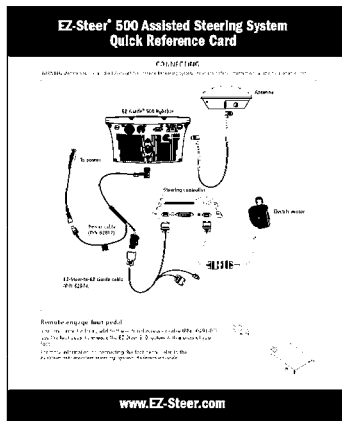
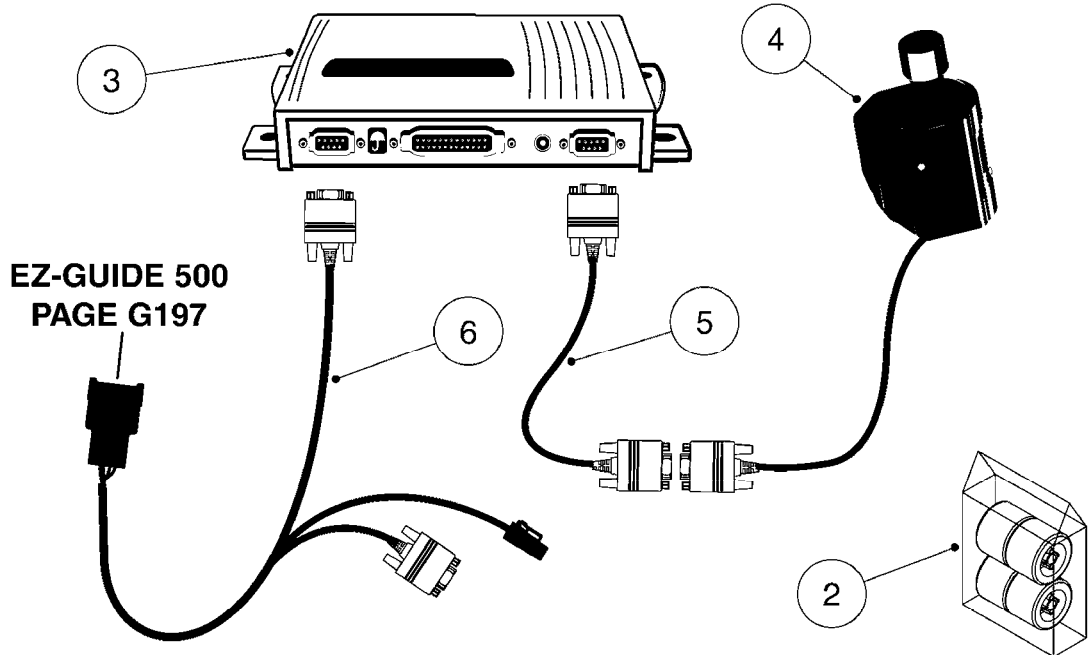


EZ-GUIDE 500 LIGHTBAR
G197-HIN, 09:12:09

Page 1

Date 06.04.2015 11:26

| Pos. | parts-n° | order qty | description |
|------|----------|-----------|--------------------------------|
| 1 | 26007603 | 1 | CABLE, ANTENNA, EZGUIDEPLUS |
| 2 | 26012203 | 1 | EZ-STEER/GUIDE 500 ADAPT.CABLE |
| 3 | 26015303 | 1 | REMOTE KEYPAD EZGUIDE 500/250 |
| 3 | 28048403 | 1 | DECAL - REMOTE OVERLAY 500/250 |
| 4 | 26015403 | 1 | EZ-GUIDE 500 CABLE POWER/CAN90 |
| 5 | 26015503 | 1 | EZ-GUIDE 500 Z PLUS ANTENNA |
| 5 | 26015603 | 1 | ANTENNA AG15 L1,EZ GDE 500/250 |
| 6 | 26015703 | 1 | EZ-GUIDE 500 DGPS DISPLAY |
| 6 | 26015803 | 1 | EZ-GUIDE 500 OMNISTAR DISPLAY |
| 7 | 26016103 | 1 | EZ-GUIDE 500 CABLE UNTERM.FUSE |
| 8 | 26016203 | 1 | EZ-GUIDE 500 POWER CONN.CABLE |
| 9 | 28048203 | 1 | EZ-GUIDE 500 MOUNT F.AG15 ANT. |
| 10 | 28048303 | 1 | EZ-GUIDE 250/500 RAM MNT.1.5" |
| 11 | 29003803 | 1 | EZ-GUIDE 500 CD,GET.STARTED V1 |
| 12 | 67215403 | 1 | EZ-GUIDE 500 QUICK REF.CARD V1 |
| 13 | 84208303 | 1 | EZ GUIDE 500 LIGHTBAR (DGPS) |
| 13 | 84208403 | 1 | EZ GUIDE 500 LIGHTBAR (XP/HP) |
| 13 | 84208503 | 1 | EZ GUIDE 500 LIGHTBAR (RTK) |



COMPLETE ASSEMBLY 9

**COMPLETE ASSEMBLIES
WHOLEGOODS ITEMS**

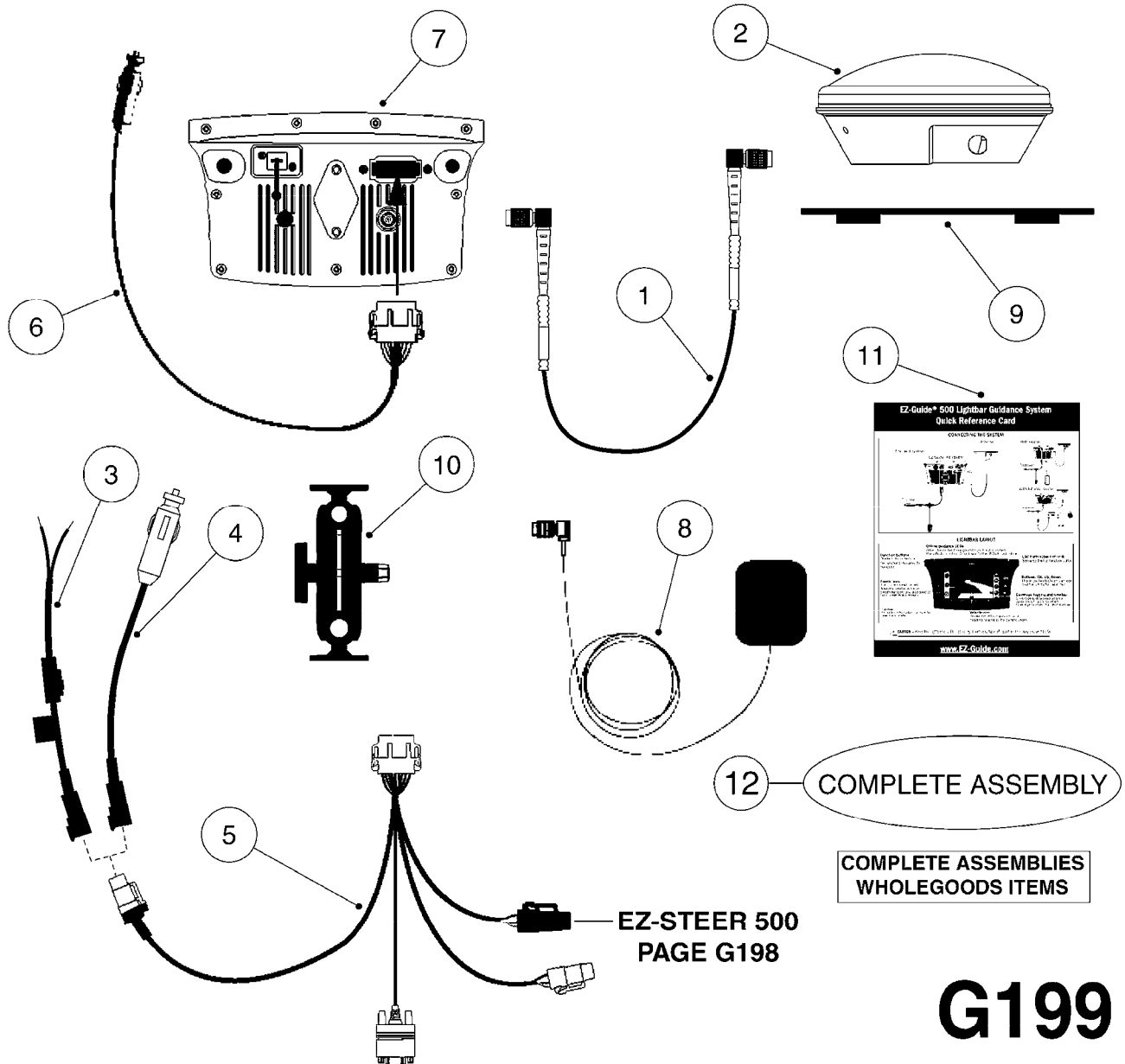
G198



EZ-STEER 500 STEERING SYSTEM
G198-HIN, 01:12:09

Page 1
Date 06.04.2015 11:26

| Pos. | parts-n° | order qty | description |
|------|----------|-----------|--------------------------------|
| 1 | 26008803 | 1 | EZ-STR.BKT-JD 4000,8000 4WD |
| 1 | 26008903 | 1 | EZ-STR.BKT-JD80002WD,7X20,9000 |
| 1 | 26009003 | 1 | EZ-STR.BKT-CASE IH 7100/7200 |
| 1 | 26009103 | 1 | EZ-STR.BKT-JD COMBINE&ROGATOR |
| 1 | 26009203 | 1 | EZ-STR.BKT-JD 6000,7000 |
| 1 | 26009303 | 1 | EZ-STR.BKT-BUHLER,NH VERSATILE |
| 1 | 26009403 | 1 | EZ-STR.BKT-STEIGER,NH VERSATIL |
| 1 | 26009503 | 1 | EZ-STR.BKT-INTERNATIONAL TRUCK |
| 1 | 26009603 | 1 | EZ-STR.BKT-AGCHEM TERRAGATOR |
| 1 | 26009703 | 1 | EZ-STR.BKT-CASE IH MXM |
| 1 | 28036903 | 1 | EZ-STR.BKT-CASE IH COMB.1600 |
| 1 | 28037003 | 1 | EZ-STR.BKT-JD 89XX,71XX,72XX |
| 1 | 28037103 | 1 | EZ-STR.BKT-JD 8000/9000 |
| 1 | 28037203 | 1 | EZ-STR.T2 TERRAIN COMP.UPDATE |
| 1 | 28037303 | 1 | EZ-STR.BKT-SPR.COUPE 3000/4000 |
| 1 | 28038203 | 1 | EZ-STR.BKT-FENDT 924 |
| 1 | 28046503 | 1 | EZ-STR.BKT-AGCO DT/RT,MF64/74 |
| 1 | 28047803 | 1 | EZ-STR.BKT.-NH TVT,CASE IH CVX |
| 1 | 28050203 | 1 | EZ-STR.BKT-CASE JX(U),NH TL(A) |
| 1 | 28055203 | 1 | EZ-STR.BKT-CASE MXM/N.HOLLAND |
| 1 | 28055903 | 1 | EZ-STR.BKT-WILMAR EAGLE |
| 2 | 26009803 | 1 | EZ-STEER FOAM WHEELS 4-PK |
| 3 | 26009903 | 1 | EZ-STEER CONTROLLER |
| 4 | 26010003 | 1 | EZ-STEER MOTOR KIT |
| 5 | 26010203 | 1 | EZ-STEER MOTOR CABLE 3M |
| 6 | 26012203 | 1 | EZ-STEER/GUIDE 500 ADAPT.CABLE |
| 7 | 26012503 | 1 | EZ-STR.FOOT SWITCH & ACC.CABLE |
| 8 | 67214803 | 1 | EZ-STR.REF.GUIDE V3 SPARE |
| 8 | 67214903 | 1 | EZ-STEER QUICK REF.CARD V3 |
| 8 | 67215203 | 1 | EZ-STEER 500 QUICK REF.CARD V1 |
| 8 | 67215303 | 1 | MANUAL EZ-STEER 500 REF V1 |
| 9 | 84208603 | 1 | EZ-STEER 500/250 SYS. COMPLETE |



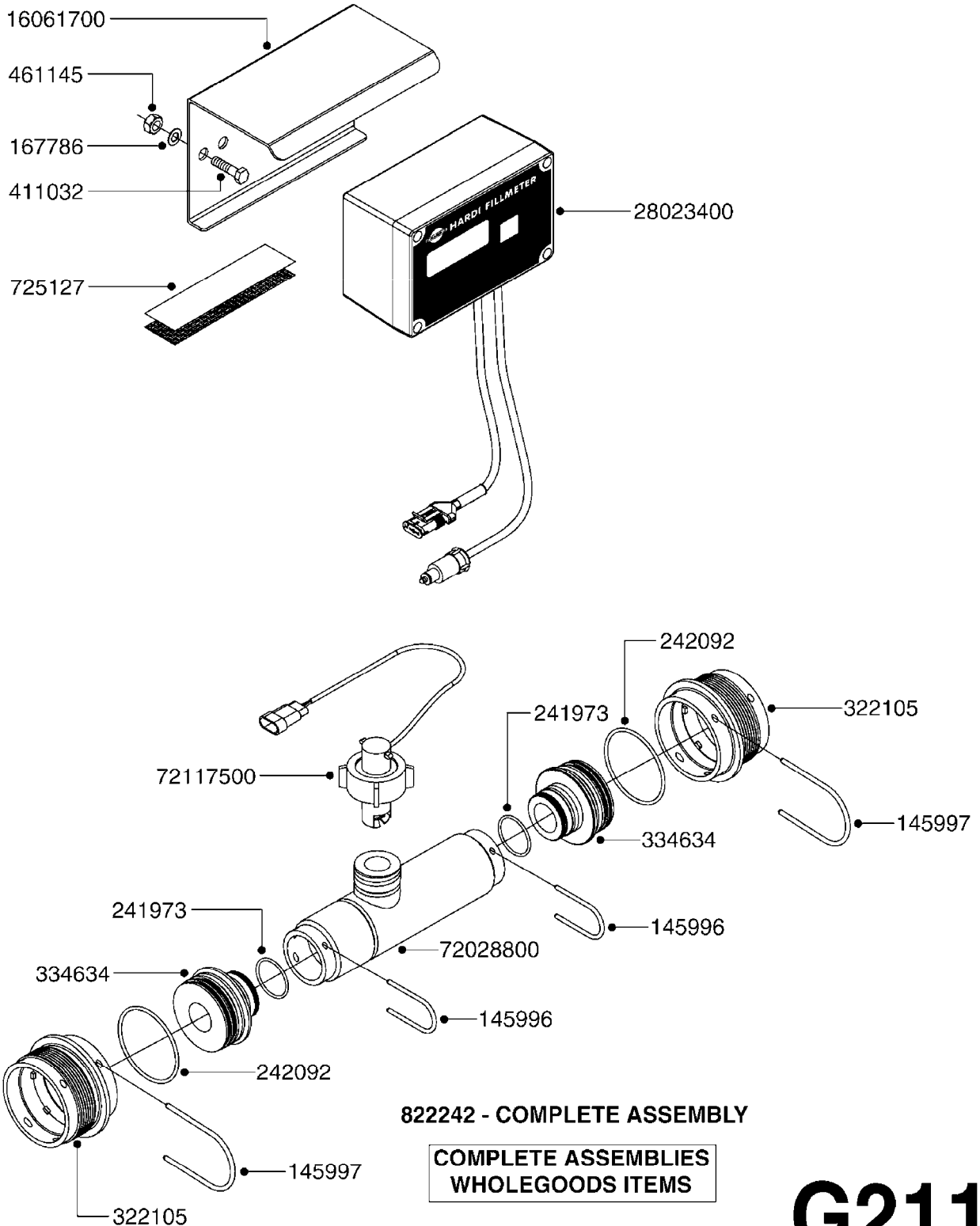


EZ-GUIDE 250 LIGHTBAR
G199-HIN, 30:11:09

Page 1

Date 06.04.2015 11:26

| Pos. | parts-n° | order qty | description |
|------|----------|-----------|--------------------------------|
| 1 | 26007603 | 1 | CABLE, ANTENNA, EZGUIDEPLUS |
| 2 | 26015603 | 1 | ANTENNA AG15 L1,EZ GDE 500/250 |
| 3 | 26016103 | 1 | EZ-GUIDE 500 CABLE UNTERM.FUSE |
| 4 | 26016203 | 1 | EZ-GUIDE 500 POWER CONN.CABLE |
| 5 | 26017303 | 1 | EZ-GUIDE 250 ALL PORT CABLE |
| 6 | 26017703 | 1 | EZ-GUIDE 250 POWER CABLE |
| 7 | 26017803 | 1 | EZ-GUIDE 250 LIGHTBAR DISPLAY |
| 8 | 26017903 | 1 | EZ-GUIDE 250 PATCH ANTENNA |
| 9 | 28048203 | 1 | EZ-GUIDE 500 MOUNT F.AG15 ANT. |
| 10 | 28048303 | 1 | EZ-GUIDE 250/500 RAM MNT.1.5" |
| 11 | 67217403 | 1 | EZ-GUIDE 250 QUICK REF.CARD |
| 12 | 84210603 | 1 | EZ GUIDE 250 LIGHTBAR |



G211

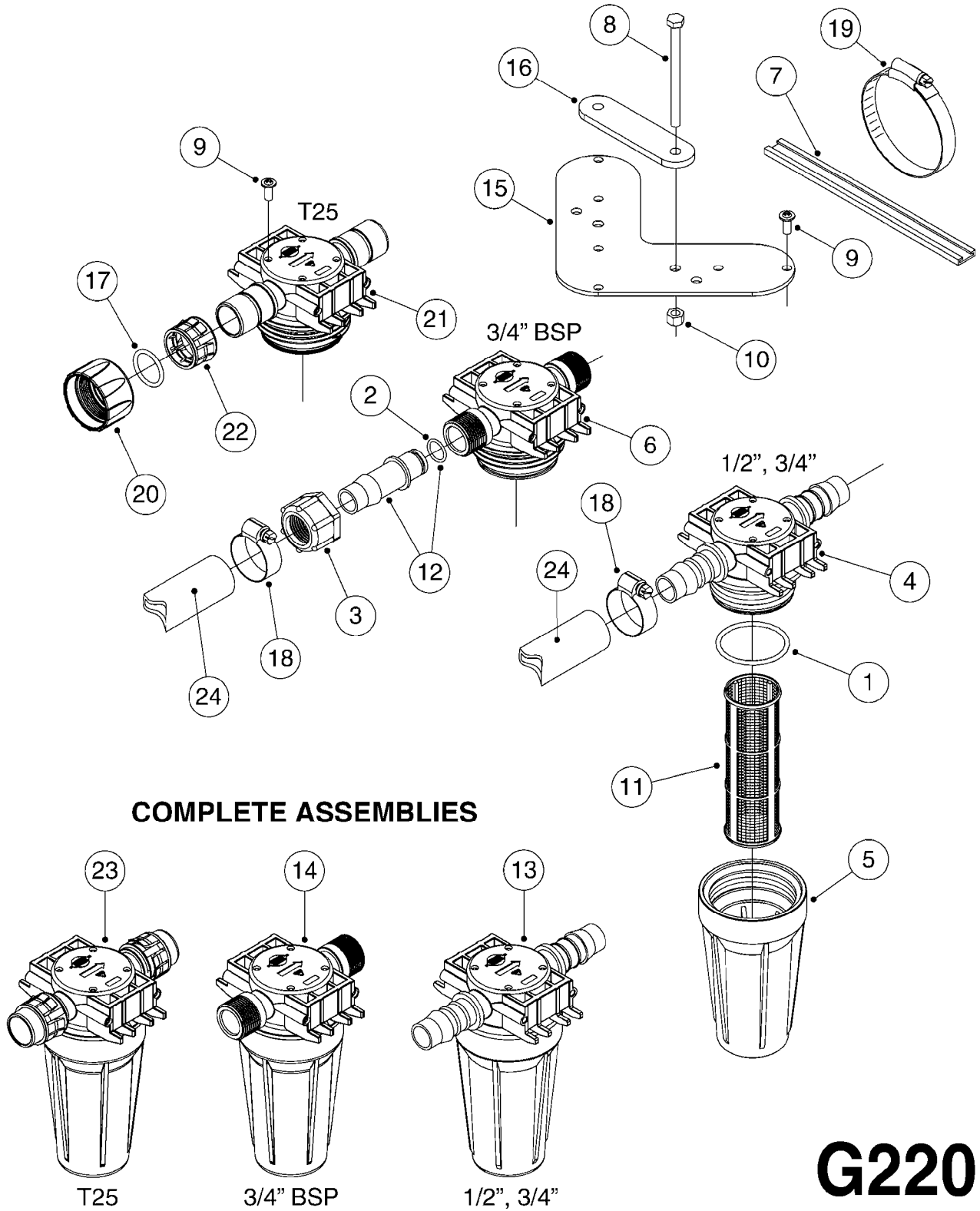


FILLMETER
G211-HIN, 01:01:01

Page 1

Date 06.04.2015 11:26

| parts-n° | order qty | description |
|----------|-----------|--------------------------------|
| 145996 | 1 | FITT.DK S-67 FORK |
| 145997 | 1 | FITT.DK S-93 FORK |
| 167786 | 1 | WASHER D13/D4.2X1 |
| 241973 | 1 | O-RING 44.2 x 3.0 (use-242353) |
| 242092 | 1 | O-RING D69.5X3 (Use-242351) |
| 322105 | 1 | FITT.DK S-93 BULKHEAD DOUBLE |
| 334634 | 1 | FITT.DK ADAPTER S-93M S67M |
| 411032 | 1 | SCREW M 4 X 16 |
| 461145 | 1 | NUT HEX M4 LOCK |
| 725127 | 1 | VELCRO KIT |
| 822242 | 1 | FILLMETER BASIC SET |
| 16061700 | 1 | HOLDER F.DISPLAY FILLMETER |
| 28023400 | 1 | HARDI FILLMETER DISPLAY |
| 72028800 | 1 | FLOW METER HOUSING Ø36 2xS67 |
| 72117500 | 1 | FLOW SENSOR - M.AMP L=1M |



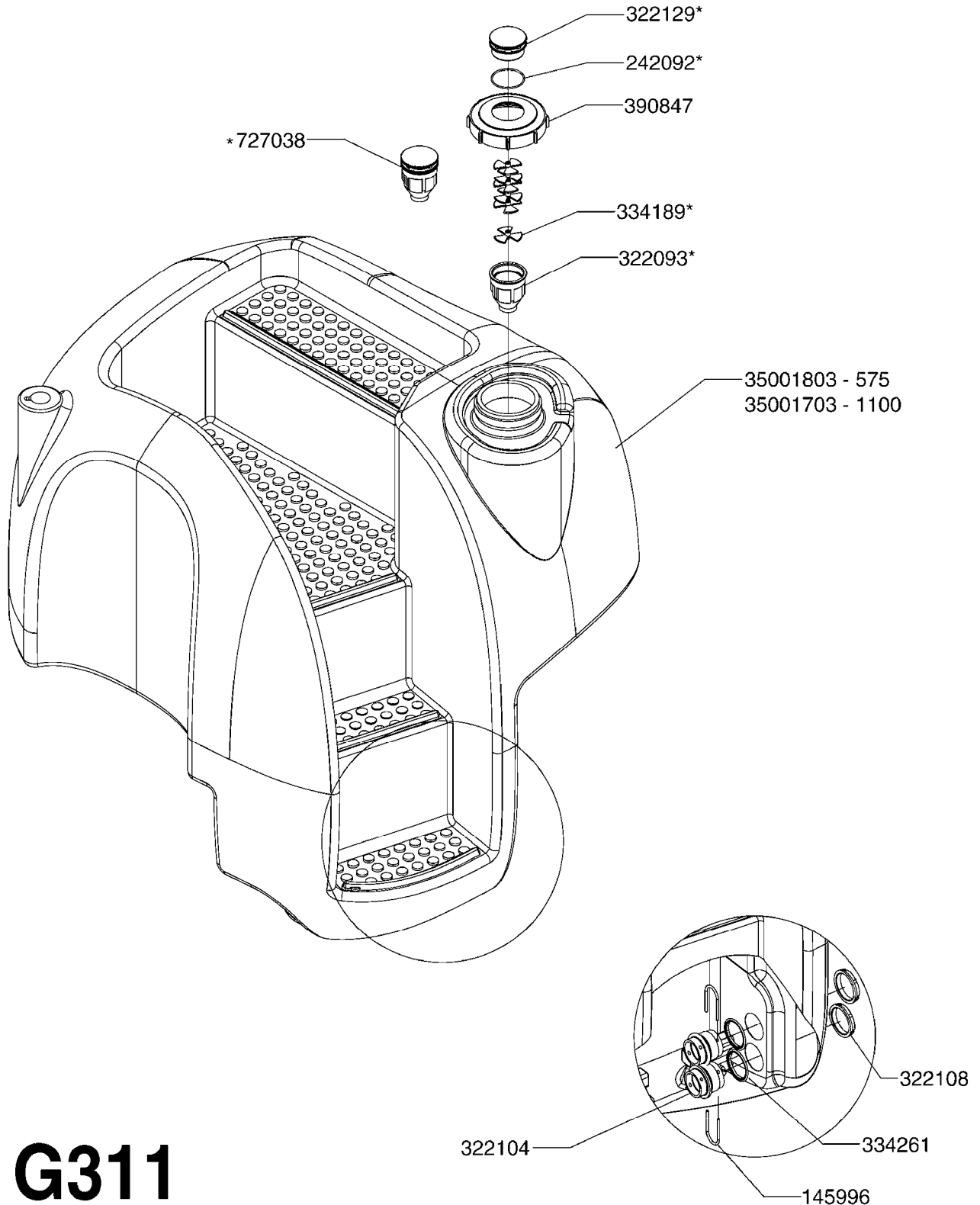


FILTER ASSEMBLIES-IN LINE
G220-HIN, 29:08:12

Page 1

Date 06.04.2015 11:26

| Pos. | parts-n° | order qty | description |
|------|----------|-----------|--------------------------------|
| 1 | 240925 | 1 | O-RING D49.5X3 NITRIL |
| 2 | 242594 | 1 | O-RING D14 X 1.78 SCH.70-EPDM |
| 3 | 320283 | 1 | FITT.DK NUT 3/4"BSP |
| 4 | 322241 | 1 | FILTER HOUSING W.3/4' BARBS |
| 4 | 322249 | 1 | FILTER HOUSING W.1/2' BARBS |
| 5 | 322242 | 1 | FILTER BOWL / IN-LINE |
| 6 | 322250 | 1 | FILTER HOUSING W.3/4"BSP THRD |
| 7 | 341291 | 1 | RUBBER HOSE CLAMP COVER 130MM |
| 7 | 341292 | 1 | RUBBER HOSE CLAMP COVER 180MM |
| 8 | 410605 | 1 | BOLT HEX 8.8 DEL M6X80 |
| 9 | 440673 | 1 | SCREW F.PLASTIC 5X12 SS |
| 10 | 460261 | 1 | NUT HEX M6X1 LOCK A2 DIN985 |
| 11 | 615443 | 1 | FILTER ELEM.50 MESH BLUE |
| 11 | 615444 | 1 | FILTER ELEM.80 MESH RED |
| 11 | 615445 | 1 | FILTER ELEM.100 MESH YELLOW |
| 12 | 716236 | 1 | FITT.DK HB 1/2" ASSY. F. 3/4" |
| 12 | 724621 | 1 | FITT.DK HB 3/4"ASSY F.3/4" NUT |
| 13 | 845205 | 1 | FILTER IN-LINE 1/2' 50 MESH |
| 13 | 845208 | 1 | FILTER IN-LINE 3/4' 50 MESH |
| 13 | 845209 | 1 | FILTER IN-LINE 3/4' 80 MESH |
| 14 | 845218 | 1 | FILTER IN-LINE 3/4'50 MESH OML |
| 14 | 845219 | 1 | FILTER IN-LINE 3/4'80 MESH OML |
| 15 | 16022203 | 1 | PLATE 3.0 X 55 X 196 |
| 16 | 16022403 | 1 | BRACKET 60MM TUBE |
| 17 | 24263000 | 1 | O-RING Ø24.4 X 3.1 NITRIL SH70 |
| 18 | 28029903 | 1 | CLAMP HOSE GEAR P3/4"-S1" 6712 |
| 19 | 28047103 | 1 | CLAMP HOSE GEAR 50 X 50 6740 |
| 19 | 28047203 | 1 | CLAMP HOSE GEAR 60 X 80 6756 |
| 20 | 32239700 | 1 | FITT.DK NUT T25 |
| 21 | 32239800 | 1 | FITT.DK IN-LINE FILTER TOP T25 |
| 22 | 33515500 | 1 | FITT.DK NUT LOCK RING T25 |
| 23 | 72700600 | 1 | FILTER IN-LINE 80 MESH, T25 |
| 24 | 92702103 | 1 | HOSE R X1/2" X300PSI WP X0012" |
| 24 | 92703203 | 1 | HOSE R X3/4" X300PSI WP X0012" |



G311



FLUSH - NEW NAVIGATOR 575/1100
G311-HIN, 12:12:05

Page 1

Date 06.04.2015 11:26

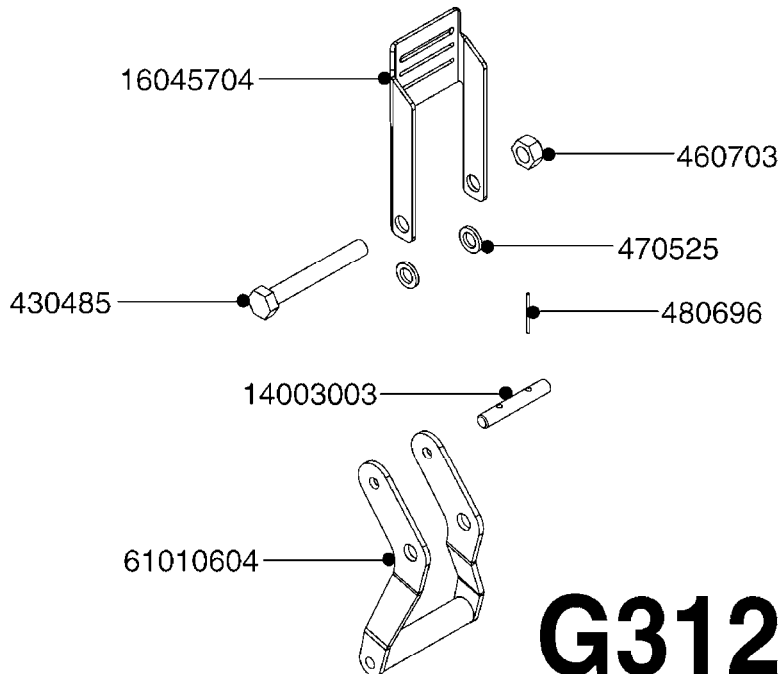
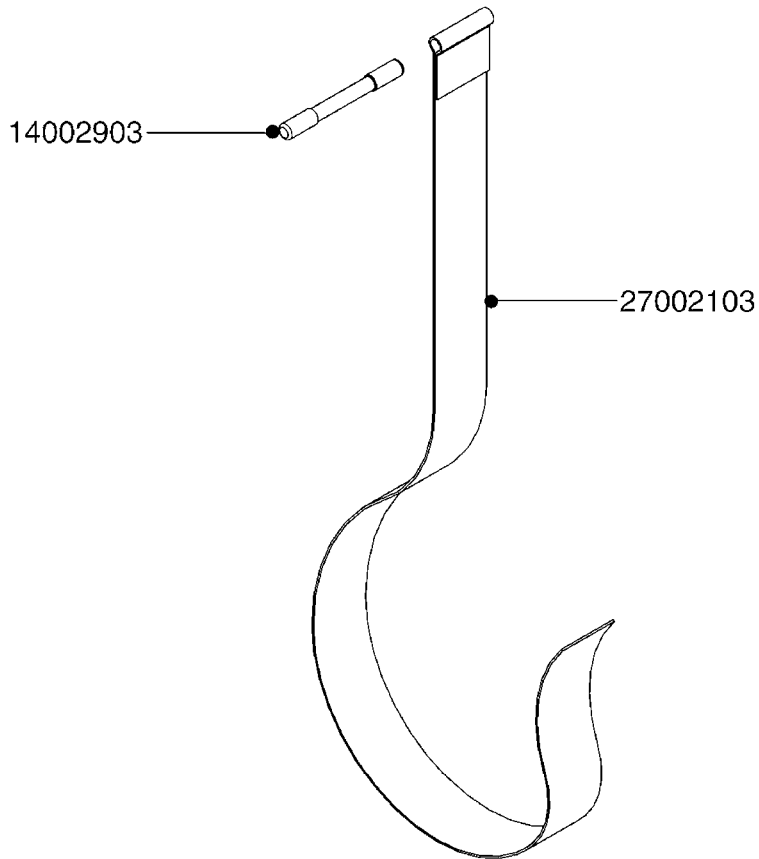
| parts-n° | order qty | description |
|----------|-----------|-------------------------------|
| 145996 | 1 | FITT.DK S-67 FORK |
| 242092 | 1 | O-RING D69.5X3 (Use-242351) |
| 322093 | 1 | HOUSING F.TANK VENT |
| 322104 | 1 | FITT.DK S-67 BULKHEAD |
| 322108 | 1 | FITT.DK S-67 BULKHEAD NUT |
| 322129 | 1 | LID F. TANK VENT ASSY. |
| 334189 | 1 | LIQUID SHIELD F. TANK VENT |
| 334261 | 1 | GASKET F. S-67 BULKHEAD |
| 390847 | 1 | LID F. RINSE TANK CM |
| 727038 | 1 | VENT F.TANK (FAST FILL) |
| 35001703 | 1 | TANK RAW 130 G. FLUSH/PLATFOR |
| 35001803 | 1 | TANK RAW 80 G. FLUSH/PLATFORM |



NEW NAV FLUSH TANK LATCH ASSM.
G312-HIN, 01:01:01

Page 0

Date 06.04.2015 11:26



G312

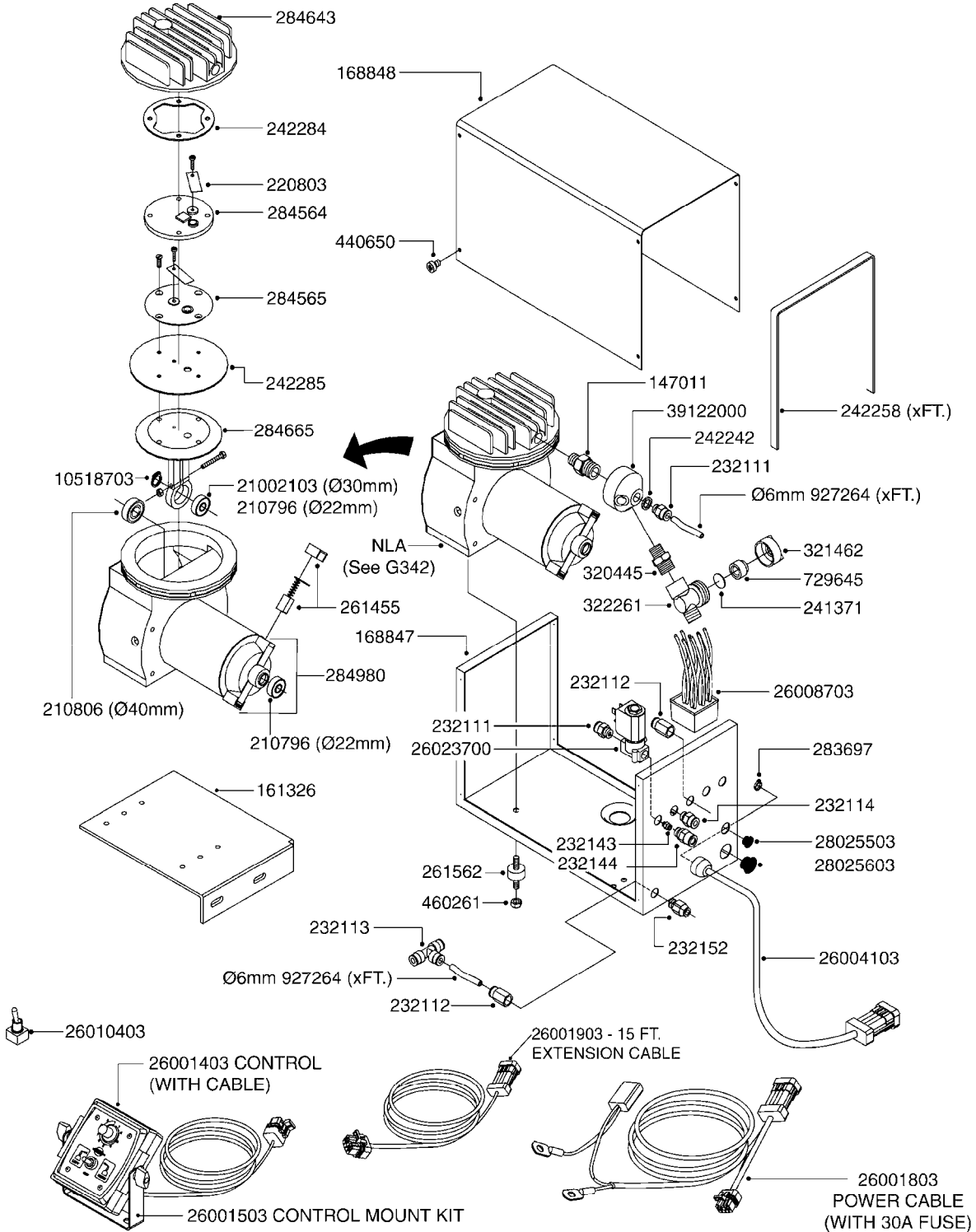


NEW NAV FLUSH TANK LATCH ASSM.
G312-HIN, 01:01:01

Page 1

Date 06.04.2015 11:26

| parts-n° | order qty | description |
|----------|-----------|--------------------------------|
| 14002903 | 1 | PIN D12 F. FLUSH TANK NAV |
| 14003003 | 1 | PIN D10 F.FLUSH TANK LATCH NAV |
| 16045704 | 1 | FLUSH TANK STRAP BKT. NAV. |
| 27002103 | 1 | STRAP F. FLUSH TANK LOCK NAV. |
| 430485 | 1 | BOLT HEX 8.8 DEL M12X90 |
| 460703 | 1 | NUT HEX M12X1.75 LOCK DIN985 |
| 470525 | 1 | WASHER D19/D11.5X2.5 |
| 480696 | 1 | PIN D4X30 |
| 61010604 | 1 | FLUSH TANK LATCH HANDLE NAV. |



G341

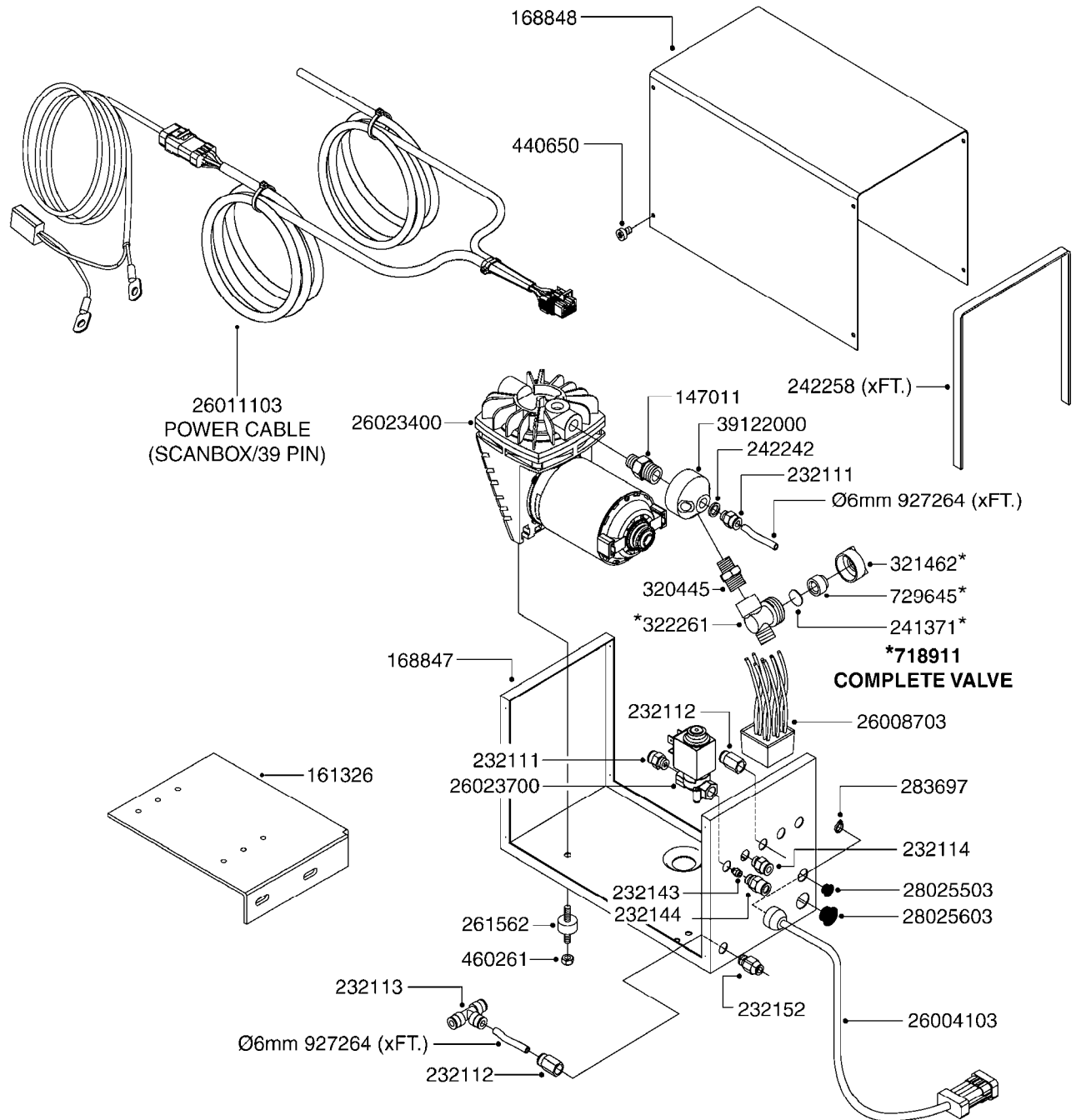
*Ø8mm 927306 (xFT.)
*Ø10mm 927330 (xFT.)

70019403 - COMPLETE ASSEMBLY



FOAM MARKER COMPRESSOR 2002
G341-HIN, 27:05:10

| parts-n° | order qty | description |
|----------|-----------|--------------------------------|
| 147011 | 1 | HEX NIPPLE 3/8'X1/4'BSP BRASS |
| 161326 | 1 | MOUNT BKT. F. FOAM COMP.BOX 98 |
| 168847 | 1 | ENCLOSURE LOWER F.MARKER |
| 168848 | 1 | COVER F. FOAM MARKER |
| 210796 | 1 | BEARING BALL D22/D8 X 7 608ZZ |
| 210806 | 1 | BEARING BALL D40/D17X12MM |
| 220803 | 1 | VALVE F. COMPRESSOR |
| 232111 | 1 | QUICK COUPLER 6MM X 1/8 EXT. |
| 232112 | 1 | QUICK COUPLER 6MM 1/8 INT. |
| 232113 | 1 | QUICK COUPLER 6MM T-PIECE |
| 232114 | 1 | COUPLER 1/8" THREADX8MM HOSE |
| 232143 | 1 | REDUCER 1/4'INT-1/8'EXT |
| 232144 | 1 | QUICK COUPLER 10MM X 1/4 EXT |
| 232152 | 1 | QUICK COUPLER 8MMX1/8 EXT.LONG |
| 241371 | 1 | DIAPHRAGM, NO-DRIP alt 241371 |
| 242242 | 1 | O-RING F.AIR HOSE FITTING |
| 242258 | 1 | TRIM 3X10 SELF ADHESIVE 0012" |
| 242284 | 1 | HEAD GASKET F. COMPRESSOR |
| 242285 | 1 | DIAPHRAGM F. F/M COMP. |
| 261455 | 1 | BRUSH KIT-FOAM MARKER MOTOR |
| 261562 | 1 | RUBBER DAMPER 2XM6X25 |
| 283697 | 1 | TIESTRAP 200MM |
| 284564 | 1 | PLATE F.COMPRESSOR HEAD |
| 284565 | 1 | PLATE F.COMPRESSOR HEAD |
| 284643 | 1 | COMPRESSOR HEAD F.FOAM MARKER |
| 284665 | 1 | CONNECTING ROD F.COMPRESSOR |
| 284980 | 1 | FLANGE REAR F. F.M.COMPRESSOR |
| 320445 | 1 | FITT.DK HN 1/4"X3/8" BSP |
| 321462 | 1 | CAP F.NO-DRIP ASSY. |
| 322261 | 1 | HOUSING F.SAFETY VALVE 3/8" |
| 440650 | 1 | SCREW 3.5x13 STAINLESS |
| 460261 | 1 | NUT HEX M6X1 LOCK A2 DIN985 |
| 729645 | 1 | NON-DRIP SPRING ASSY.GREEN 10 |
| 927264 | 1 | HOSE R X PE D6/D4 X 0012" |
| 927306 | 1 | HOSE R X PE D8/D6 X 0012"BLACK |
| 927330 | 1 | HOSE R X PE D10/D8 X 012"BLACK |
| 10518703 | 1 | SNAP-RING OUTER 8X1 |
| 21002103 | 1 | BEARING, 6200 2ZJEM (SKF) |
| 26001403 | 1 | HC FOAM MARKR CONSOLE VS3.0.00 |
| 26001503 | 1 | HC FOAM MARKER CONSOLE MT.KIT |
| 26001803 | 1 | POWER CABLE |
| 26001903 | 1 | 15' 7-PIN EXTENSION CABLE |
| 26004103 | 1 | FOAM MARKER CNTRL MOD CABL STD |
| 26008703 | 1 | FOAM MARKER CONTROL SCII |
| 26010403 | 1 | TOGGLE SWITCH MICRO-TRAK F.M. |
| 26023700 | 1 | SOLENOID VAL 12V 1/8' FLO '07 |
| 28025503 | 1 | PLUG F.DRILLED HOLE 1/2" |
| 28025603 | 1 | PLUG F.DRILLED HOLE 3/4" |
| 39122000 | 1 | DISTR.HOUSING F.FOAM MARKER'07 |
| 70019403 | 1 | FOAM MARKER COMPRESSOR KIT STD |



G342

*Ø8mm 927306 (xFT.)
*Ø10mm 927330 (xFT.)

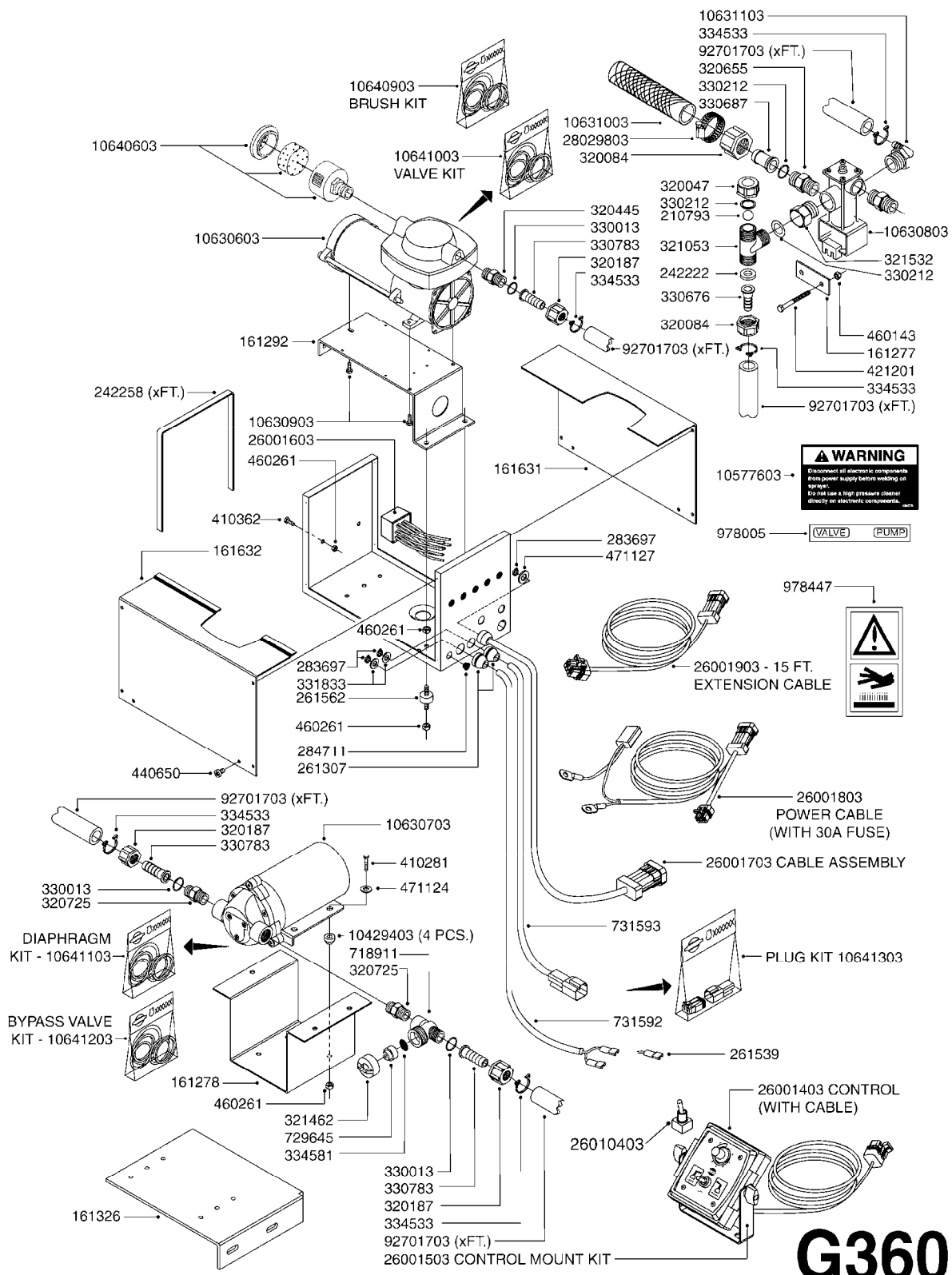
70062503 - COMPLETE ASSEMBLY



FOAM MARKER COMPRESSOR 2007
G342-HIN, 21:04:14

Page 1
Date 06.04.2015 11:26

| parts-n° | order qty | description |
|----------|-----------|--------------------------------|
| 147011 | 1 | HEX NIPPLE 3/8'X1/4'BSP BRASS |
| 161326 | 1 | MOUNT BKT. F. FOAM COMP.BOX 98 |
| 168847 | 1 | ENCLOSURE LOWER F.MARKER |
| 168848 | 1 | COVER F. FOAM MARKER |
| 232111 | 1 | QUICK COUPLER 6MM X 1/8 EXT. |
| 232112 | 1 | QUICK COUPLER 6MM 1/8 INT. |
| 232113 | 1 | QUICK COUPLER 6MM T-PIECE |
| 232114 | 1 | COUPLER 1/8" THREADX8MM HOSE |
| 232143 | 1 | REDUCER 1/4'INT-1/8'EXT |
| 232144 | 1 | QUICK COUPLER 10MM X 1/4 EXT |
| 232152 | 1 | QUICK COUPLER 8MMX1/8 EXT.LONG |
| 241371 | 1 | DIAPHRAGM, NO-DRIP alt 241371 |
| 242242 | 1 | O-RING F.AIR HOSE FITTING |
| 242258 | 1 | TRIM 3X10 SELF ADHESIVE 0012" |
| 261562 | 1 | RUBBER DAMPER 2XM6X25 |
| 283697 | 1 | TIESTRAP 200MM |
| 320445 | 1 | FITT.DK HN 1/4"X3/8" BSP |
| 321462 | 1 | CAP F.NO-DRIP ASSY. |
| 322261 | 1 | HOUSING F.SAFETY VALVE 3/8" |
| 440650 | 1 | SCREW 3.5x13 STAINLESS |
| 460261 | 1 | NUT HEX M6X1 LOCK A2 DIN985 |
| 718911 | 1 | VALVE (SAFETY) F.MARKER |
| 729645 | 1 | NON-DRIP SPRING ASSY.GREEN 10 |
| 927264 | 1 | HOSE R X PE D6/D4 X 0012" |
| 927306 | 1 | HOSE R X PE D8/D6 X 0012"BLACK |
| 927330 | 1 | HOSE R X PE D10/D8 X 012"BLACK |
| 26004103 | 1 | FOAM MARKER CNTRL MOD CABL STD |
| 26008703 | 1 | FOAM MARKER CONTROL SCII |
| 26011103 | 1 | FOAMER POWER/CONTROL CABLE 39P |
| 26023400 | 1 | COMPRESSOR F.FOAM MARKER CM40 |
| 26023700 | 1 | SOLENOID VAL 12V 1/8' FLO '07 |
| 28025503 | 1 | PLUG F.DRILLED HOLE 1/2" |
| 28025603 | 1 | PLUG F.DRILLED HOLE 3/4" |
| 39122000 | 1 | DISTR.HOUSING F.FOAM MARKER'07 |
| 70062503 | 1 | FOAM MARKER COMPRESSOR,STD,39P |



WARNING
Disconnect all electronic components from power supply before working on wiring.
Do not use a high pressure cleaner directly on electronic components.



G360



| parts-n° | order qty | description |
|----------|-----------|----------------------------------|
| 161277 | 1 | FLATBAR |
| 161278 | 1 | SHEILD F. SHURFLO PUMP |
| 161292 | 1 | MOUNT PLATE F.THOMAS COMPRESSO |
| 161326 | 1 | MOUNT BKT. F. FOAM COMP.BOX 98 |
| 161631 | 1 | COVER W/O LIP H.C.FOAM COMP. |
| 161632 | 1 | COVER W/LIP H.C.FOAM COMP. |
| 210793 | 1 | BALL F.SCF |
| 242222 | 1 | GASKET 19.0 X 10.0 X 3.3 EPDM |
| 242258 | 1 | TRIM 3X10 SELF ADHESIVE 0012" |
| 261307 | 1 | GROMMET 7-10 BLACK |
| 261539 | 1 | SPADE F.ELEC CONNEC BLUE INSUL |
| 261562 | 1 | RUBBER DAMPER 2XM6X25 |
| 283697 | 1 | TIESTRAP 200MM |
| 284711 | 1 | PLUG F.DRILLED HOLE D11MM |
| 320047 | 1 | FITT.DK CAPNUT 1/2" BSP |
| 320084 | 1 | FITT.DK NUT 1/2" BSP |
| 320187 | 1 | FITT.DK CAP 3/8" BSP BLACK |
| 320445 | 1 | FITT.DK HN 1/4"X3/8" BSP |
| 320655 | 1 | FITT.DK HN 1/2"-1/2" BSP |
| 320725 | 1 | FITT.DK NIPPLE 3/8"-3/8" BSP |
| 321053 | 1 | FITT.DK TEE 1/2 X1/2 X1/2" BSP |
| 321462 | 1 | CAP F.NO-DRIP ASSY. |
| 321532 | 1 | FITT.DK REDUC 3/4' X 1/2' BSP |
| 330013 | 1 | O-RING D15/D10X2.5 F.3/8"NUT |
| 330212 | 1 | O-RING D19/D14X2.4 F.1/2"NUT |
| 330676 | 1 | FITT.DK HB 3/8" F. 1/2" NUT |
| 330687 | 1 | FITT.DK HB 1/2" F. 1/2" NUT |
| 330783 | 1 | FITT.DK HB 3/8"F.3/8" NUT |
| 331833 | 1 | VALVE FLAP RY-2 |
| 334533 | 1 | CLAMP HOSE PLASTIC 3/8" |
| 334581 | 1 | DIAPHRAGM, NO-DRIP alt 241371 |
| 410281 | 1 | BOLT HEX 8.8 DEL M6X25 DIN933 A2 |
| 410362 | 1 | BOLT HEX 8.8 SS M6X20 FT |
| 421201 | 1 | BOLT HEX 8.8 DEL M8X70 |
| 440650 | 1 | SCREW 3.5x13 STAINLESS |
| 460143 | 1 | NUT HEX M8 LOCK A2 DIN985 |
| 460261 | 1 | NUT HEX M6X1 LOCK A2 DIN985 |
| 471124 | 1 | WASHER D18/D6.4x1.6 |
| 471127 | 1 | WASHER D24/D13X2.5 STAINLESS |
| 718911 | 1 | VALVE (SAFETY) F.MARKER |
| 729645 | 1 | NON-DRIP SPRING ASSY.GREEN 10 |
| 731592 | 1 | CABLE ASSY 2 WIRE F.HC FOAM MK |
| 731593 | 1 | CABLE ASSY W.PLUG HC FOAM MKR |
| 978005 | 1 | DECAL 'VALVE PUMP' |
| 978447 | 1 | DECAL HOT SURFACE |
| 10429403 | 1 | GROMMET SET OF 4 F.FLOJET |
| 10577603 | 1 | DECAL 'DO NOT WELD' H.P. ENG. |
| 10630603 | 1 | COMPRESSOR THOMAS F HIGH CAP |
| 10630703 | 1 | PUMP FLOJET F. HIGH CAP. FOAM |
| 10630803 | 1 | VALVE SOLENOID S.S. F.HIGH CAP |
| 10630903 | 1 | SCREW MACH.HEX Ø8-32X3/8" ZINC |
| 10631003 | 1 | HOSE R X CLEAR BRAID.X 1/2 12" |
| 10631103 | 1 | FITT.PO.EL.3/4"MPTX3/8"HB |
| 10640603 | 1 | FILTER KIT COMP. F.THOMAS COMP |
| 10640903 | 1 | BRUSH KIT F. THOMAS COMPRESSOR |
| 10641003 | 1 | VALVE KIT F. THOMAS COMPRESSOR |
| 10641103 | 1 | DIAPHRAGM KIT F.SHURFLO PUMP |
| 10641203 | 1 | BYPASS VALVE KIT F.SHURFLO PMP |
| 10641303 | 1 | PLUG KIT 2 PIN DEUTSCH COMP. |
| 26001403 | 1 | HC FOAM MARKR CONSOLE VS3.0.00 |
| 26001503 | 1 | HC FOAM MARKER CONSOLE MT.KIT |

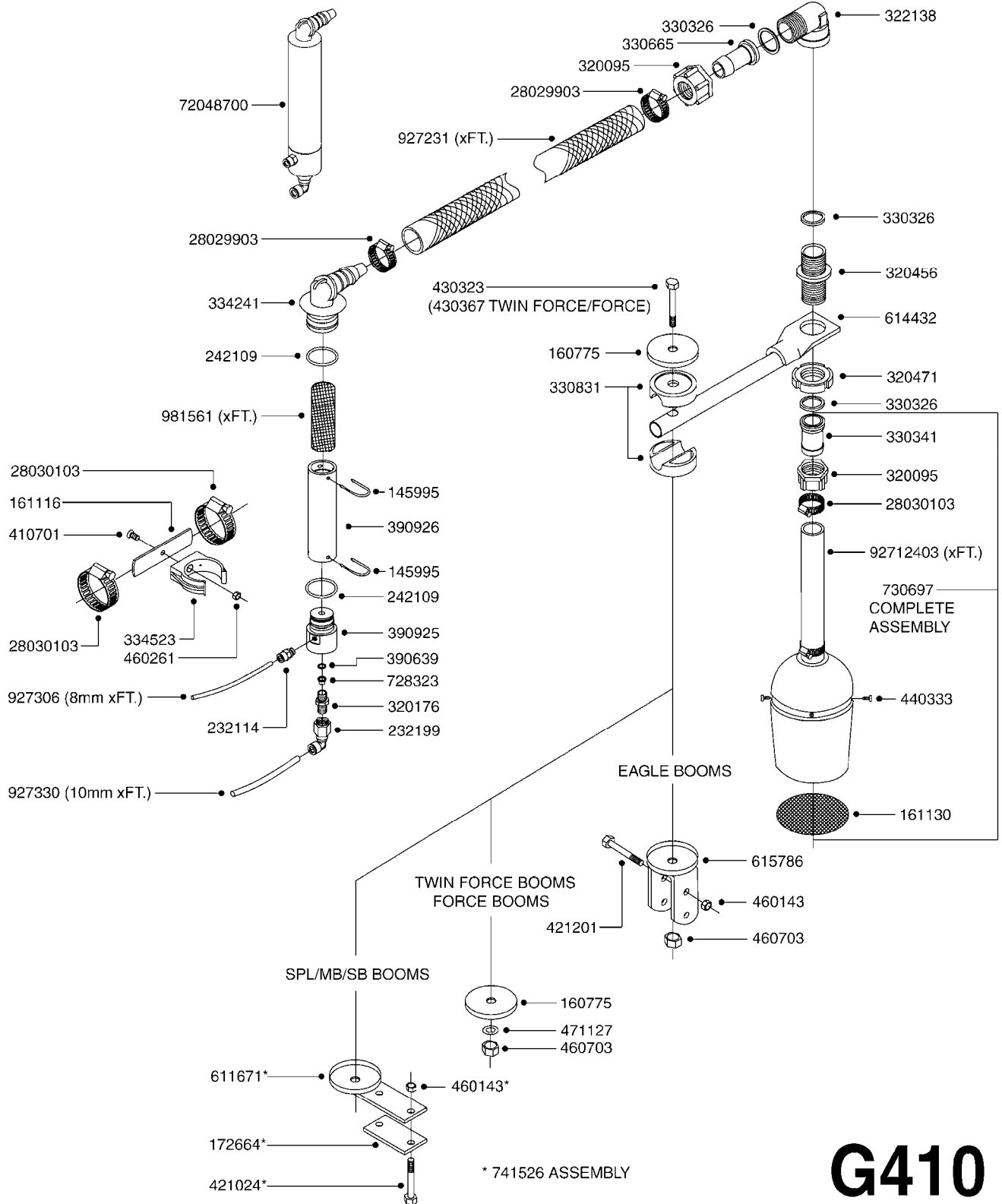


FOAM MARKER COMP H-CAP 2001
G360-HIN, 12:12:05

Page 2

Date 06.04.2015 11:26

| parts-n° | order qty | description |
|----------|-----------|--------------------------------|
| 26001603 | 1 | HC FOAM MARKER MODULE |
| 26001703 | 1 | HC FOAM MARKER MODULE CABLE |
| 26001803 | 1 | POWER CABLE |
| 26001903 | 1 | 15' 7-PIN EXTENSION CABLE |
| 26010403 | 1 | TOGGLE SWITCH MICRO-TRAK F.M. |
| 28029803 | 1 | CLAMP HOSE GEAR P1/2" 6708 |
| 92701703 | 1 | HOSE R X3/8" X300PSI WP X0012" |



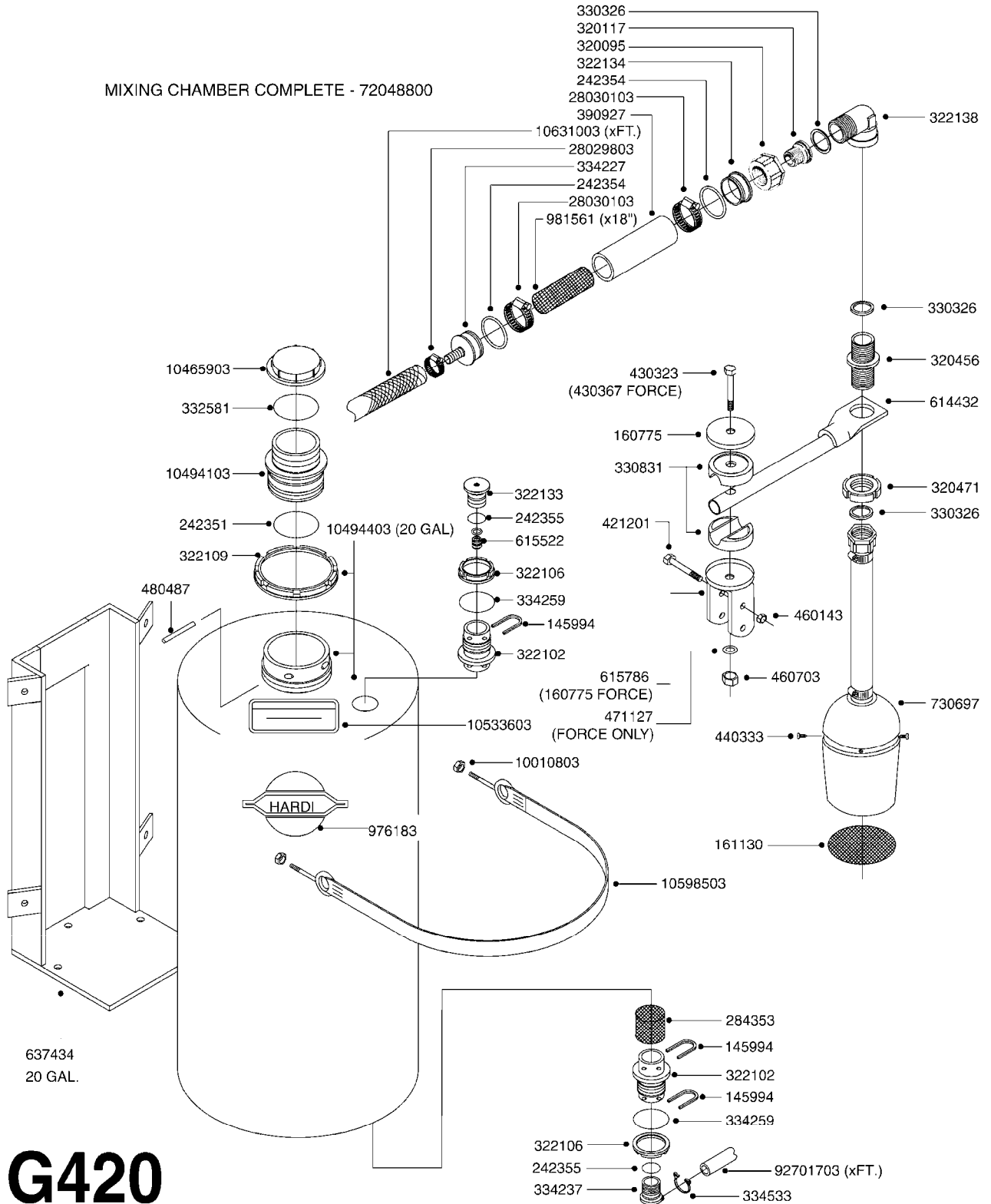
G410



| parts-n° | order qty | description |
|----------|-----------|---------------------------------|
| 145995 | 1 | FITT.DK S-53 FORK |
| 160775 | 1 | WASHER F. FRICTION PLATE |
| 161116 | 1 | FLATBAR PLATE 3 X 25 X 110 |
| 161130 | 1 | FILTER SCREEN F/FOAM DROPPER |
| 172664 | 1 | FLATBAR BACKING PLATE |
| 232114 | 1 | COUPLER 1/8" THREADX8MM HOSE |
| 232199 | 1 | COUPLER 3/8' BSP-90/10MM HOSE |
| 242109 | 1 | O-RING D32.2x3.0 (USE 242354) |
| 320095 | 1 | FITT.DK NUT 1" BSP |
| 320176 | 1 | FITT.DK HN 3/8"X1/2" BSP |
| 320456 | 1 | FITT.DK BULKHEAD 1"BSP DOUBLE |
| 320471 | 1 | FITT.DK NUT 1" BSP JAMB |
| 322138 | 1 | FITT.DK ELB 1"M X 1"F BSP |
| 330326 | 1 | O-RING D30/D24X2 F.1"NUT |
| 330341 | 1 | FITT.DK HB 1" F. 1" NUT |
| 330665 | 1 | FITT.DK HB 3/4"F.1" NUT |
| 330831 | 1 | FRICTION PLATE |
| 334241 | 1 | FITT.DK S-53 ELB.3/4" |
| 334523 | 1 | PIPE HOLDER D51.5 |
| 390639 | 1 | O-RING F.NOZZLE FILTER |
| 390925 | 1 | FITTING F.FOAM MIX.CHAMB. STD |
| 390926 | 1 | TUBE,MIX CHAMB. FOAM MARK STD |
| 410701 | 1 | SCREW M6X16 GALV. |
| 421024 | 1 | BOLT HEX 8.8 DEL M8X60 |
| 421201 | 1 | BOLT HEX 8.8 DEL M8X70 |
| 430323 | 1 | BOLT HEX 8.8 DEL M12X60 |
| 430367 | 1 | BOLT HEX 8.8 DEL M12X100 DIN931 |
| 440333 | 1 | SCREW 3.5 X 9.5 SS |
| 460143 | 1 | NUT HEX M8 LOCK A2 DIN985 |
| 460261 | 1 | NUT HEX M6X1 LOCK A2 DIN985 |
| 460703 | 1 | NUT HEX M12X1.75 LOCK DIN985 |
| 471127 | 1 | WASHER D24/D13X2.5 STAINLESS |
| 611671 | 1 | BREAK AWAY HOLDER F-MARKER |
| 614432 | 1 | BREAK AWAY ARM F. FOAM MARKER |
| 615786 | 1 | MOUNT BKT. F.FOAM DROPPER 98 |
| 728323 | 1 | VALVE NON-RETURN |
| 730697 | 1 | FOAM DROPPER COMP. BLACK '97 |
| 741526 | 1 | FOAM DROPPER MT. KIT MB-SPL |
| 927231 | 1 | HOSE R X PVCX3/4 CLR/BRD 0012" |
| 927306 | 1 | HOSE R X PE D8/D6 X 0012"BLACK |
| 927330 | 1 | HOSE R X PE D10/D8 X 012"BLACK |
| 981561 | 1 | SPONGE MAT. MIX.CHAMBER-x0012" |
| 28029903 | 1 | CLAMP HOSE GEAR P3/4"-S1" 6712 |
| 28030103 | 1 | CLAMP HOSE GEAR P5/4"-S1.5"6724 |
| 72048700 | 1 | MIXING CHAMBER, FOAM MARK. STD |
| 92712403 | 1 | HOSE R X1" X300PSI WP X0012" |



MIXING CHAMBER COMPLETE - 72048800



637434
20 GAL.

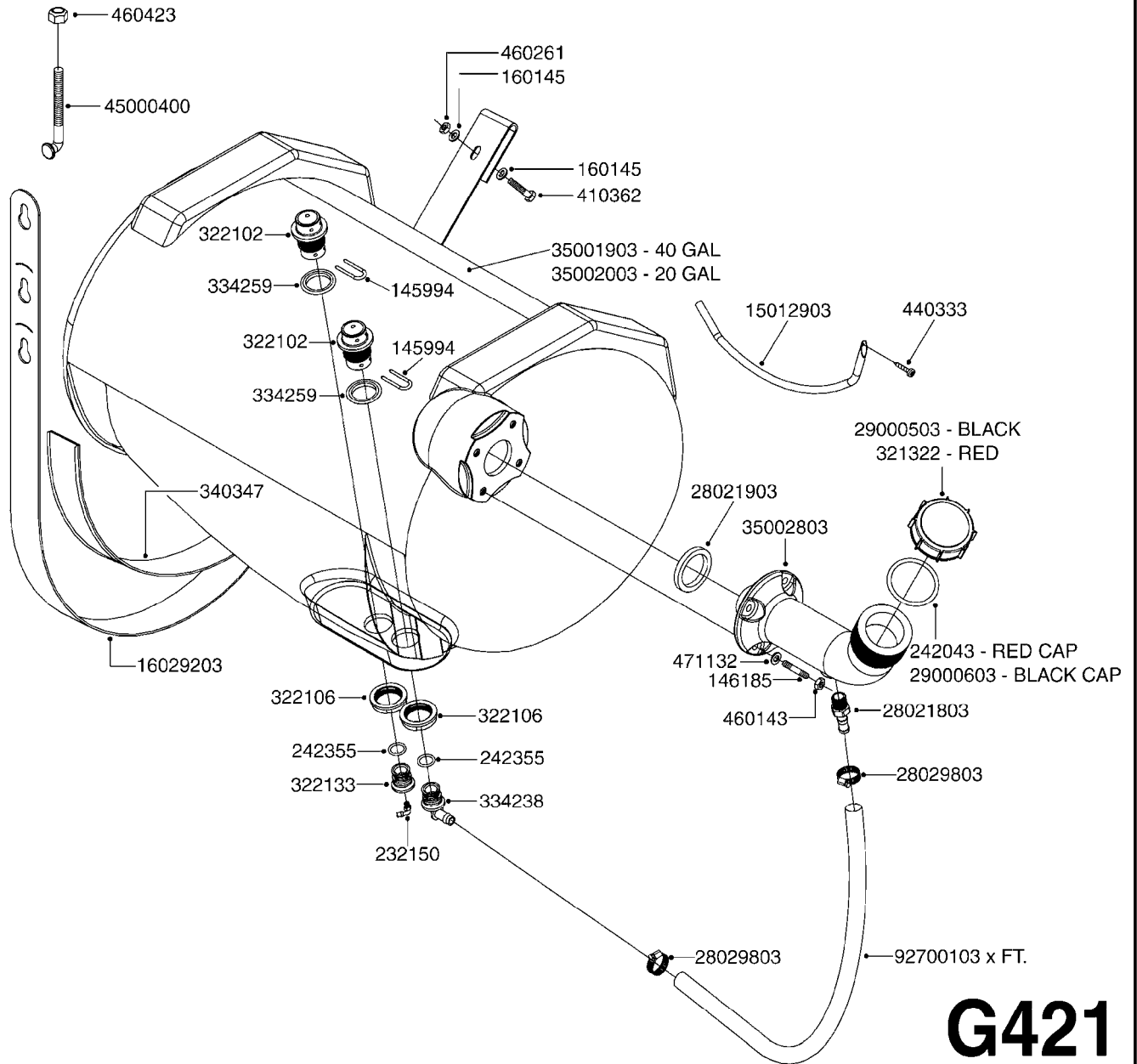
G420



F MARKER TANK/DROPPER HIGH CAP
G420-HIN, 05:05:11

Page 1
Date 06.04.2015 11:26

| parts-n° | order qty | description |
|----------|-----------|---------------------------------|
| 145994 | 1 | FITT.DK S-40 FORK |
| 160775 | 1 | WASHER F. FRICTION PLATE |
| 161130 | 1 | FILTER SCREEN F/FOAM DROPPER |
| 242351 | 1 | O-RING D69.5X3.0 VITON F.S-93 |
| 242354 | 1 | O-RING D32.2X3.0 VITON F.S-53 |
| 242355 | 1 | O-RING D19.2X3.0 VITON F.S-40 |
| 284353 | 1 | SPONGE FOR FOAM MARKER |
| 320095 | 1 | FITT.DK NUT 1" BSP |
| 320117 | 1 | FITT.DK CONN.1/2"BSP F. 1" CAP |
| 320456 | 1 | FITT.DK BULKHEAD 1"BSP DOUBLE |
| 320471 | 1 | FITT.DK NUT 1" BSP JAMB |
| 322102 | 1 | FITT.DK S-40 BULKHEAD |
| 322106 | 1 | FITT.DK S-40 BULKHEAD NUT |
| 322109 | 1 | FITT.DK S-93 BULKHEAD NUT |
| 322133 | 1 | FITT.DK S-40 PLUG W 1/8 THREAD |
| 322134 | 1 | FITT.DK S-53THREAD INS.1/2"BSP |
| 322138 | 1 | FITT.DK ELB 1"M X 1"F BSP |
| 330326 | 1 | O-RING D30/D24X2 F.1"NUT |
| 330831 | 1 | FRICTION PLATE |
| 332581 | 1 | GASKET F. 1-1/2" BSP CAPNUT. |
| 334227 | 1 | FITT.DK S-53 STR.1/2' |
| 334237 | 1 | FITT.DK S-40 ELB.3/8' |
| 334259 | 1 | GASKET F. S-40 BULKHEAD |
| 334533 | 1 | CLAMP HOSE PLASTIC 3/8" |
| 390927 | 1 | TUBE,MIX CHAMB. FOAM MARK HC |
| 421201 | 1 | BOLT HEX 8.8 DEL M8X70 |
| 430323 | 1 | BOLT HEX 8.8 DEL M12X60 |
| 430367 | 1 | BOLT HEX 8.8 DEL M12X100 DIN931 |
| 440333 | 1 | SCREW 3.5 X 9.5 SS |
| 460143 | 1 | NUT HEX M8 LOCK A2 DIN985 |
| 460703 | 1 | NUT HEX M12X1.75 LOCK DIN985 |
| 471127 | 1 | WASHER D24/D13X2.5 STAINLESS |
| 480487 | 1 | PIN M5X60 SLOTTED GALV |
| 614432 | 1 | BREAK AWAY ARM F. FOAM MARKER |
| 615522 | 1 | CHECK VALVE F.FOAM MARKER |
| 615786 | 1 | MOUNT BKT. F.FOAM DROPPER 98 |
| 637434 | 1 | MOUNT BRACKET F.FOAM TANK 20G |
| 730697 | 1 | FOAM DROPPER COMP. BLACK '97 |
| 976183 | 1 | DECAL COMPANY 185 X 300 |
| 981561 | 1 | SPONGE MAT. MIX.CHAMBER-x0012" |
| 10010803 | 1 | NUT HEX NC (NYLON LOCK) 5/16 |
| 10465903 | 1 | *LID F.FOAM MARKER, DRILLED |
| 10494103 | 1 | FILL WELL ASSY.FOAM MARK EPOXY |
| 10494403 | 1 | *TANK ASSY. 20 GAL. D14'F/M |
| 10533603 | 1 | DECAL CAUTION-OPEN SLOWLY ENG |
| 10598503 | 1 | STRAP F.FOAMER TANK (850mm) |
| 10631003 | 1 | HOSE R X CLEAR BRAID.X 1/2 12" |
| 28029803 | 1 | CLAMP HOSE GEAR P1/2" 6708 |
| 28030103 | 1 | CLAMP HOSE GEAR P5/4-S1.5"6724 |
| 72048800 | 1 | MIXING CHAMBER,FOAM MARK. HC |
| 92701703 | 1 | HOSE R X3/8" X300PSI WP X0012" |

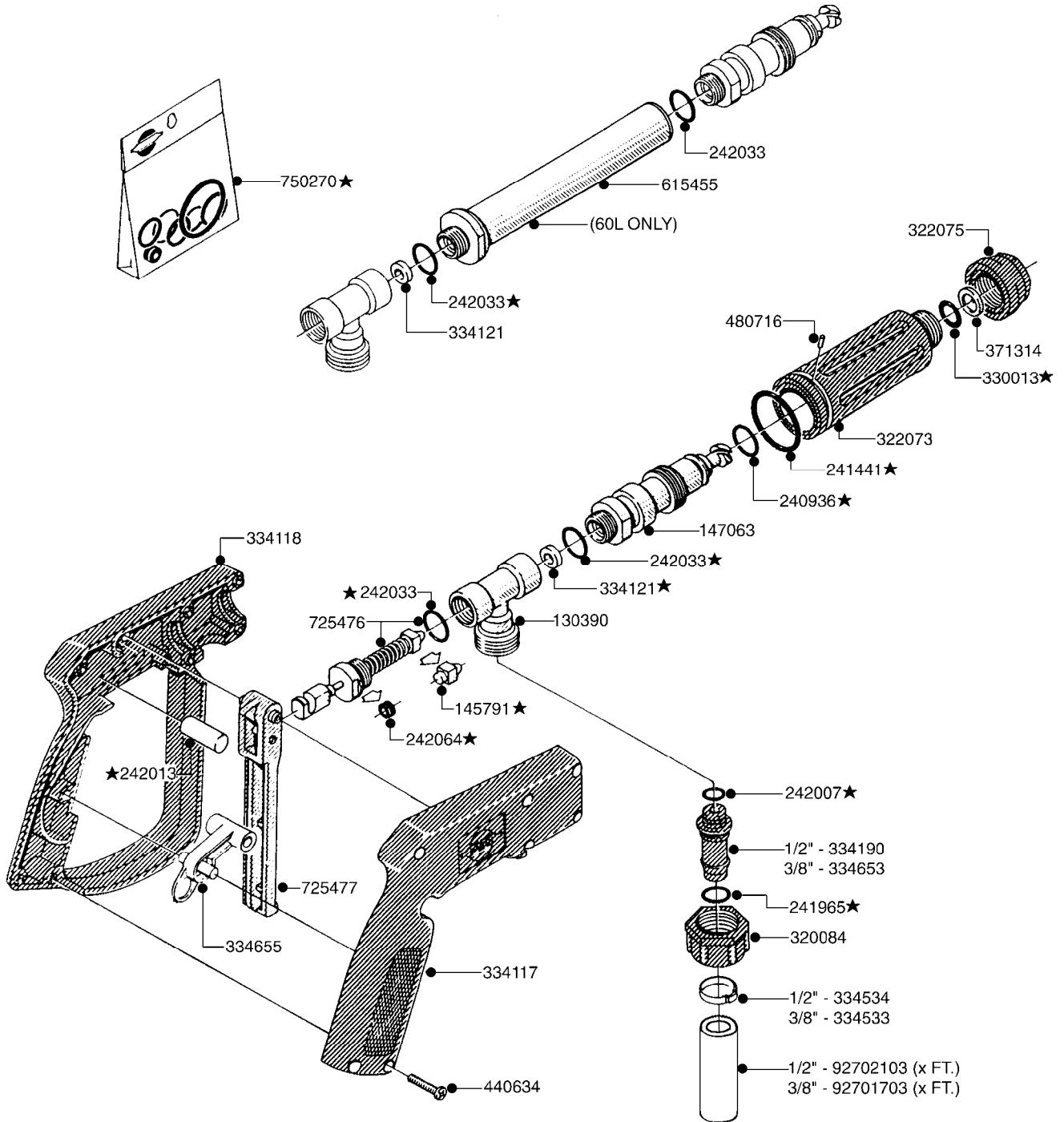




FOAM MARKER TANK-NEW NAVIGATOR
G421-HIN, 05:05:11

Page 1
Date 06.04.2015 11:26

| parts-n° | order qty | description |
|----------|-----------|--------------------------------|
| 145994 | 1 | FITT.DK S-40 FORK |
| 146185 | 1 | THREADED STUD |
| 160145 | 1 | WASHER D13.1/D6.4X1 SS |
| 232150 | 1 | HOSE CONN. 90DEG. 1/8"X8MM PE |
| 242043 | 1 | O-RING 49.2 X 5.7 |
| 242355 | 1 | O-RING D19.2X3.0 VITON F.S-40 |
| 321322 | 1 | SCREW CAP F. S80 X 4 |
| 322102 | 1 | FITT.DK S-40 BULKHEAD |
| 322106 | 1 | FITT.DK S-40 BULKHEAD NUT |
| 322133 | 1 | FITT.DK S-40 PLUG W 1/8 THREAD |
| 334238 | 1 | FITT.DK S-40 ELB.1/2' |
| 334259 | 1 | GASKET F. S-40 BULKHEAD |
| 340347 | 1 | TANK STRAP PACK.40X750MM 29.5" |
| 410362 | 1 | BOLT HEX 8.8 SS M6X20 FT |
| 440333 | 1 | SCREW 3.5 X 9.5 SS |
| 460143 | 1 | NUT HEX M8 LOCK A2 DIN985 |
| 460261 | 1 | NUT HEX M6X1 LOCK A2 DIN985 |
| 460423 | 1 | NUT HEX M10X1.5 LOCK |
| 471132 | 1 | WASHER D24/D8.4 X 2 SS |
| 15012903 | 1 | FOAM TANK VENT TUBE NEW NAV |
| 16029203 | 1 | TANK STRAP 20-40 GAL. NAV |
| 28021803 | 1 | HOSE BARB 1/2"NPT X 1/2" STR |
| 28021903 | 1 | GASKET COUPLING 2" EPDM |
| 28029803 | 1 | CLAMP HOSE GEAR P1/2" 6708 |
| 29000503 | 1 | LID 3.5"FOAM TK NEW NAV W/SEAL |
| 29000603 | 1 | GASKET F. LID 3.5" FM TK NP |
| 35001903 | 1 | TANK RAW 40 G. FOAM MARKER NAV |
| 35002003 | 1 | TANK RAW 20 G. FOAM MARKER NAV |
| 35002803 | 1 | FILLER NECK F.M. TANKS NAV. |
| 45000400 | 1 | T-BOLT SPECIAL F.TANK STRAP ES |
| 92700103 | 1 | HOSE 1/2" PVC CLEAR BULK |



COMPLETE ASSEMBLY:
843197 - 60L
843196 - 60S

COMPLETE ASSEMBLIES
WHOLEGOODS ITEMS

G450

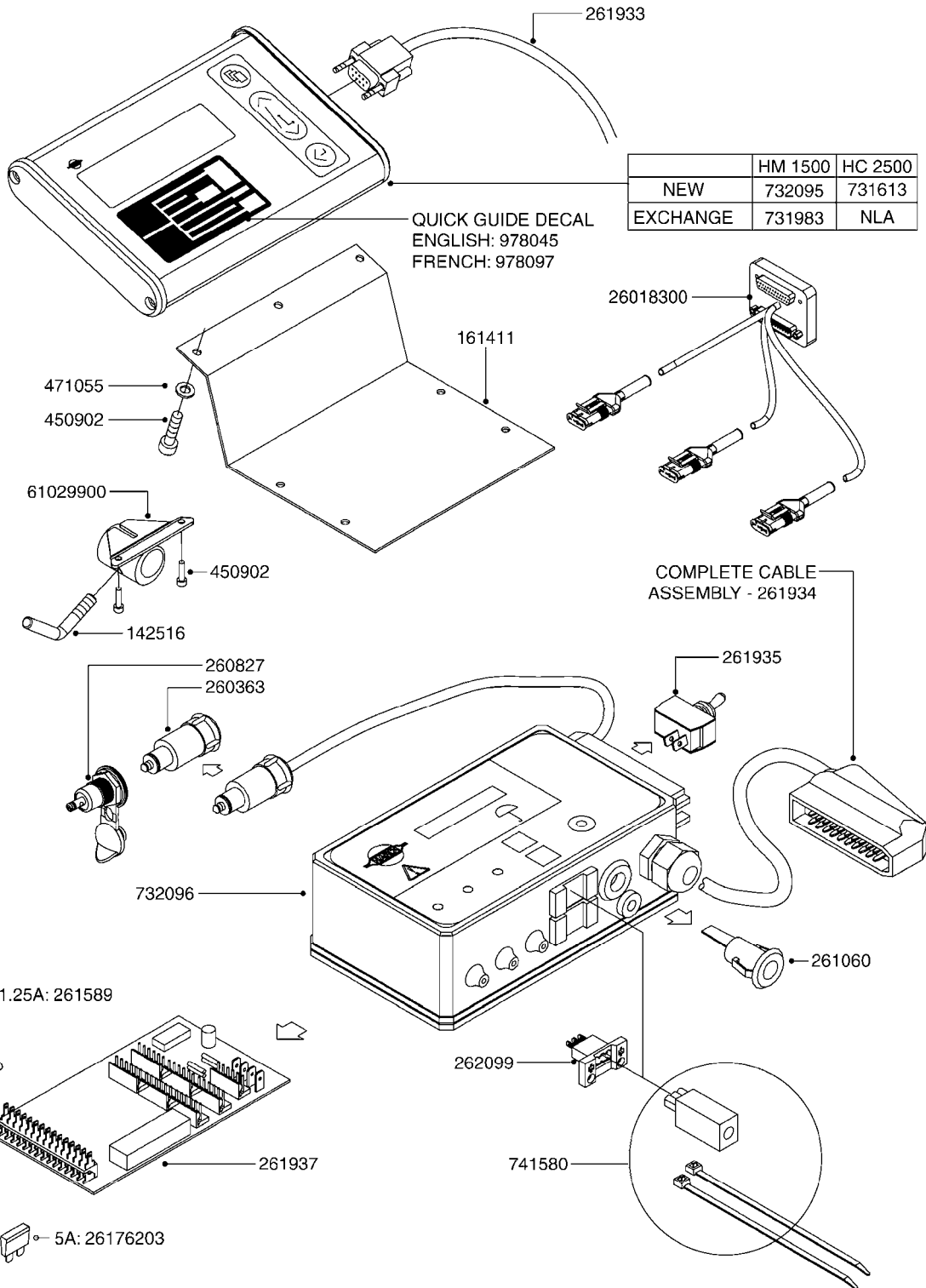


HANDGUN TYPE 60S/60L POST 95
G450-HIN, 19:05:11

Page 1

Date 06.04.2015 11:26

| parts-n° | order qty | description |
|----------|-----------|--------------------------------|
| 130390 | 1 | TEE 3/8'X 1/2' BSP F.TYPE 60S |
| 145791 | 1 | CONE FOR ON/OFF |
| 147063 | 1 | SWIRL F.SPRAY GUN TYPE 60 |
| 240936 | 1 | O-RING D13.3X2.4 NITRIL |
| 241441 | 1 | O-RING D29.3X3 |
| 241965 | 1 | O-RING 12.1 X 1.6 |
| 242007 | 1 | O-RING D9.1X1.6 |
| 242013 | 1 | SPRING RUBBER F/TRIGGER |
| 242033 | 1 | O-RING |
| 242064 | 1 | SLEEVE RUBBER 3X8X4MM |
| 320084 | 1 | FITT.DK NUT 1/2" BSP |
| 322073 | 1 | HOUSING F.SWIRL TYPE 60S H.G. |
| 322075 | 1 | HOUSING F. NOZZLE |
| 330013 | 1 | O-RING D15/D10X2.5 F.3/8"NUT |
| 334117 | 1 | HANDLE PIECE RIGHT F.60S/60L |
| 334118 | 1 | HANDLE PIECE LEFT F.60S/60L |
| 334121 | 1 | SEAT FOR ON-OFF TYPE |
| 334190 | 1 | FITT.DK HB 1/2' F. PISTOL 60S |
| 334533 | 1 | CLAMP HOSE PLASTIC 3/8" |
| 334534 | 1 | CLAMP HOSE PLASTIC 1/2" |
| 334653 | 1 | FITT.DK HB 3/8' F.HANDGUN |
| 334655 | 1 | TRIGGER SAFETY F.60S/60L GUN |
| 371314 | 1 | NOZZLE CERAMIC 1099-20 |
| 440634 | 1 | SCREW 5/8" |
| 480716 | 1 | PIN D3X6 STAINLESS |
| 615455 | 1 | TUBE F.LANCE TYPE 60L |
| 725476 | 1 | SPINDLE |
| 725477 | 1 | TRIGGER |
| 750270 | 1 | GASKET KIT F.SPRAY GUN |
| 843196 | 1 | GUN, MODEL 60S |
| 843197 | 1 | HANDGUN KIT TYPE 60 LONG |
| 92701703 | 1 | HOSE R X3/8" X300PSI WP X0012" |
| 92702103 | 1 | HOSE R X1/2" X300PSI WP X0012" |



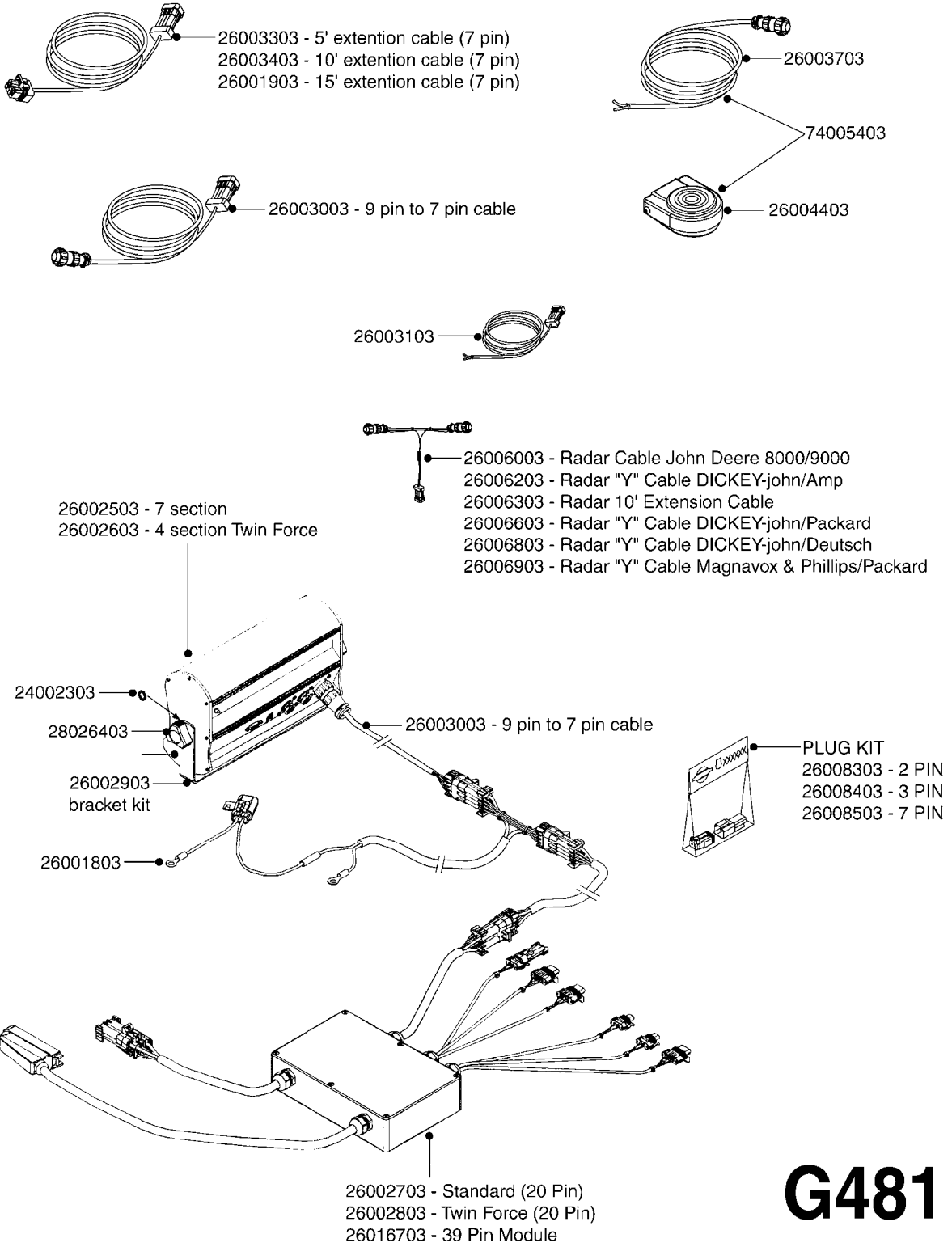
G480



HC 2500/HM1500 DISPLAY/SCANBOX
G480-HIN, 15:11:09

Page 1
Date 06.04.2015 11:26

| parts-n° | order qty | description |
|----------|-----------|---|
| 142516 | 1 | SCREW SET M10 BENT F. LOCKING |
| 161411 | 1 | MT.BRK. HC2500/HM1500 DISPLAY |
| 26018300 | 1 | ADAPTOR 2500 FOR SPRAYBOX II 39-PIN/REPLACES SCANBOX |
| 260363 | 1 | PLUG 2 POLE 12V |
| 260827 | 1 | PLUG F.EC ATTACHMENTS |
| 261060 | 1 | PLUG F.EC ATTACHMENTS |
| 261589 | 1 | FUSE 5 X 20 1.25 AMP |
| 26176203 | 1 | FUSE 5.0A QUICK-ACT. |
| 261933 | 1 | CABLE W/PLUG 2X25 L=71" |
| 261934 | 1 | CABLE W/PLUG 18X0.5MM L=79" |
| 261935 | 1 | SWITCH 2 POLE |
| 261937 | 1 | CIRCUIT BOARD F. SCANBOX |
| 262099 | 1 | PLUG SOCKET 3-POLE 2.5/3 |
| 450902 | 1 | BOLT ALLEN HEAD M4 X 16MM |
| 471055 | 1 | WASHER D4.1/7.6 X 0.9 |
| 61029900 | 1 | BRACKET FOR HC2500 |
| 731613 | 1 | DISPLAY HC2500 NEW |
| 731983 | 1 | DISPLAY HM1500 REFURBISHED |
| 732095 | 1 | DISPLAY HM1500 NEW |
| 732096 | 1 | SCANBOX F.HM1500/HC2500 |
| 741580 | 1 | PLUG 3-POLE 2.5/3 |
| 978045 | 1 | DECAL QUICK GUIDE 1500/2500 |
| 978097 | 1 | DECAL QUICK GUIDE 1500/2500 FR |



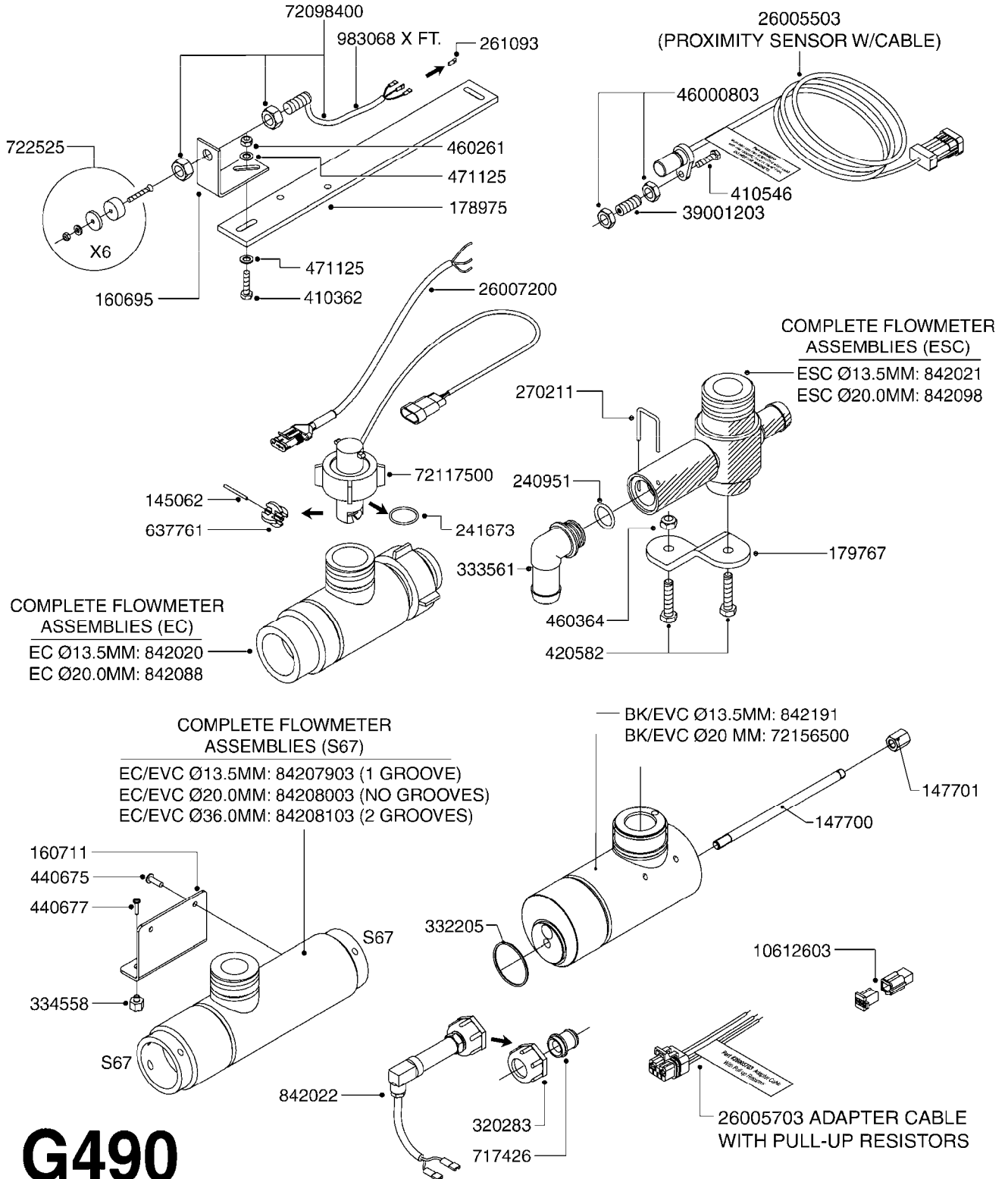
G481



MUSTANG 3500 CONTROLLER
G481-HIN, 16:12:08

Page 1
Date 06.04.2015 11:26

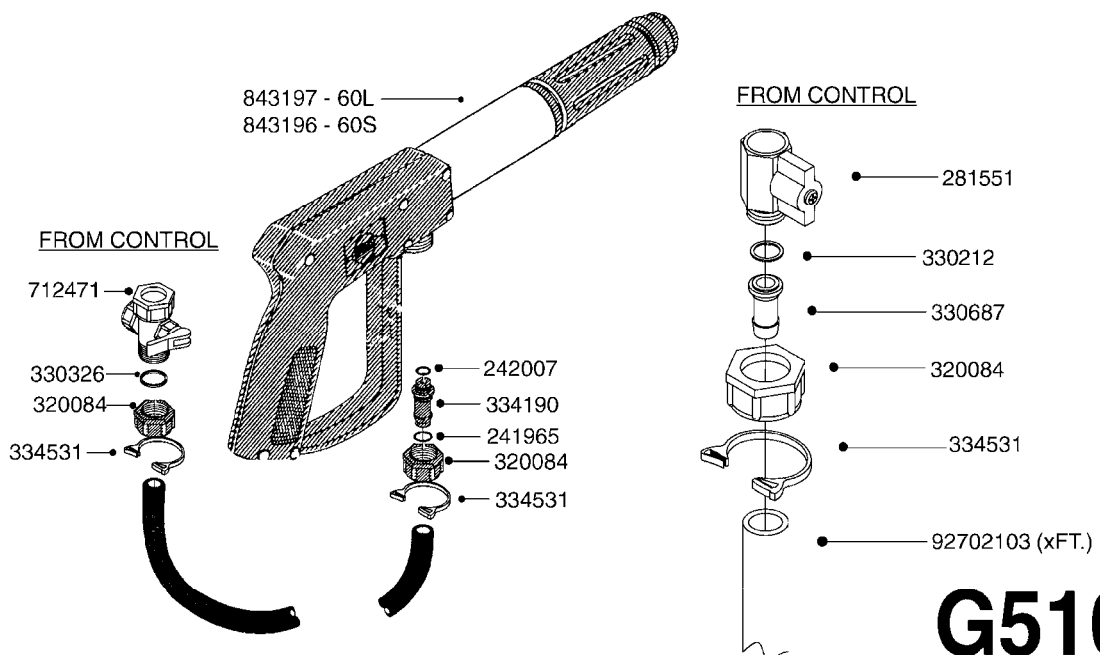
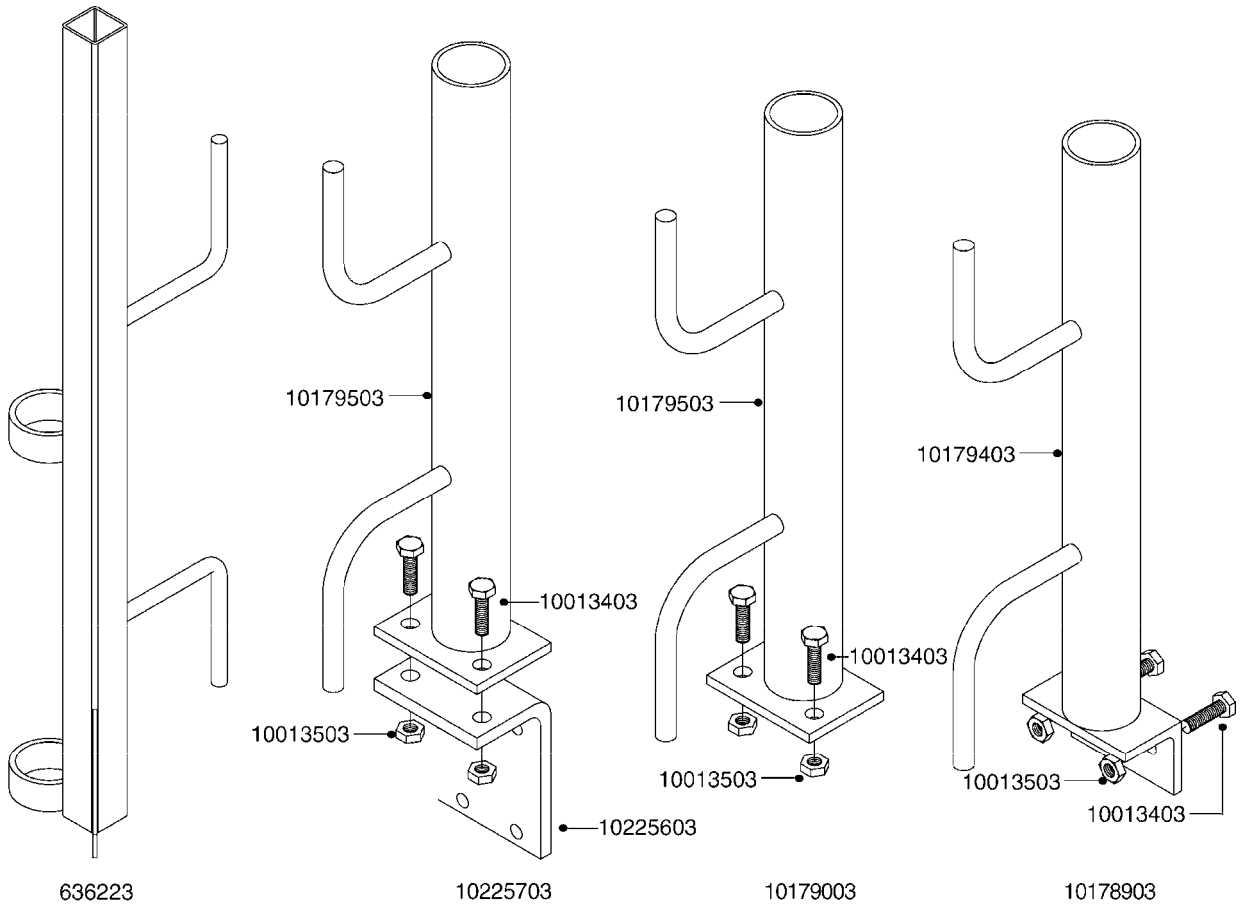
| parts-n° | order qty | description |
|----------|-----------|--------------------------------|
| 24002303 | 1 | WASHER, RUBBER |
| 26001803 | 1 | POWER CABLE |
| 26001903 | 1 | 15' 7-PIN EXTENSION CABLE |
| 26002503 | 1 | MUSTANG 3500/7 CONSOLE |
| 26002603 | 1 | MUSTANG 3500/4/TF CONSOLE |
| 26002703 | 1 | MUSTANG 3500/20PIN SC MODULE |
| 26002803 | 1 | MUSTANG 3500/20PIN TF SC MODUL |
| 26002903 | 1 | MUSTANG 3500 CONSOLE MNT KIT |
| 26003003 | 1 | MUSTANG 3500 CONSOLE CABLE |
| 26003103 | 1 | MUSTANG 3500/7 SC MOD CNECT KT |
| 26003303 | 1 | MUSTANG/FM 5FT 7PIN EXT CABLE |
| 26003403 | 1 | MUSTANG/FM 10FT 7PIN EXT CABLE |
| 26003703 | 1 | MUSTANG RUN/HOLD ADAPT CABLE |
| 26004403 | 1 | SWITCH, FOOT |
| 26006003 | 1 | MUSTANG RADR CBLE JD 8000/9000 |
| 26006203 | 1 | MUSTANG RDR "Y" CABLE DCKY-JHN |
| 26006303 | 1 | MUSTANG RDR EXTNSN CABLE 10FT |
| 26006603 | 1 | MUSTANG RDR"Y"CABLE D-J PACKRD |
| 26006803 | 1 | MUSTANG RDR"Y"CABLE D-J DEUTS. |
| 26006903 | 1 | MUSTANG RDR"Y"CABLE MAG.PHILIP |
| 26008303 | 1 | MICRO TRAK PLUG KIT - 2 PIN |
| 26008403 | 1 | MICRO TRAK PLUG KIT - 3 PIN |
| 26008503 | 1 | MICRO TRAK PLUG KIT - 7 PIN |
| 26016703 | 1 | MUSTANG 3500/39PIN SC MODULE |
| 28026403 | 1 | KNOB, MUSTANG CONSOLE MOUNT |
| 74005403 | 1 | FOOT SWITCH FOR MUSTANG 3500 |



G490



| parts-n° | order qty | description |
|----------|-----------|--------------------------------|
| 145062 | 1 | ROTOR SHAFT |
| 147700 | 1 | STUD BOLT M8 X 158MM |
| 147701 | 1 | NUT HEX M8 STAINLESS L=16 |
| 160695 | 1 | BRACKET F.SENSOR |
| 160711 | 1 | BRACKET FOR FLOW METER |
| 178975 | 1 | MOUNT BRACKET F. SPEED SENSOR |
| 179767 | 1 | FLOW SENSOR MOUNTING BRACKET |
| 240951 | 1 | O-RING D21.2X3 NITRIL |
| 241673 | 1 | O-RING D22.1X1.6 |
| 261093 | 1 | SPADE F.ELEC.WIRE DK 2.8X0.8 |
| 270211 | 1 | FITT.DK S25 FORK L=37.5 |
| 320283 | 1 | FITT.DK NUT 3/4"BSP |
| 332205 | 1 | O-RING D43/39XD2 |
| 333561 | 1 | FITT.DK ELB.1" EC RETURN |
| 334558 | 1 | NUT HEX PLASTIC INSERT |
| 410362 | 1 | BOLT HEX 8.8 SS M6X20 FT |
| 410546 | 1 | BOLT HEX SS M6X12 FT |
| 420582 | 1 | BOLT HEX 8.8 DEL M8X20 FT A2 |
| 440675 | 1 | SCREW F. PLASTIC 5X16 SS |
| 440677 | 1 | SCREW F. PLASTIC 5X20 SS |
| 460261 | 1 | NUT HEX M6X1 LOCK A2 DIN985 |
| 460364 | 1 | NUT HEX M8 GALV. |
| 471125 | 1 | WASHER M6U D12/D6.4x1.6 SS A2 |
| 637761 | 1 | ROTOR F.FLOWMETER - PILOT |
| 717426 | 1 | FITT.DK REDUC 1/4"BSP F.3/4"N |
| 722525 | 1 | MONITOR MAGNETS SET OF 8PCS |
| 842020 | 1 | HP FLOW METER EC 2-30 GPM |
| 842021 | 1 | HP FLOW METER ESC 2-30 GPM |
| 842022 | 1 | HP PRESS. TRANSDUCER 0-150 PSI |
| 842088 | 1 | HP FLOW METER EC 4-70 GPM |
| 842098 | 1 | HP FLOW METER ESC 4-70 GPM |
| 842191 | 1 | HP FLOW METER BK/EVC 2-30 GPM |
| 983068 | 1 | ELEC. CABLE 3 WIRE X .25MM HP |
| 10612603 | 1 | KIT PLUG 6 PIN F.PILOT MONITOR |
| 26005503 | 1 | SPEED SENSOR/CABLE ASSY PROX |
| 26005703 | 1 | *SPEED SENS ADPT CBLE W PULLUP |
| 26007200 | 1 | CABLE L =13.00M, AMP, MALE, 3P |
| 39001203 | 1 | THREAD PLST 1/2-13UNCXM6X1L=1" |
| 46000803 | 1 | NUT, 1/2-13 THIN |
| 72098400 | 1 | SPEED SENSOR W/CABLE 10000MM |
| 72117500 | 1 | FLOW SENSOR - M.AMP L=1M |
| 72156500 | 1 | HP FLOW METER PIN 4-70 GPM 20Ø |
| 84207903 | 1 | FLOW METER,2-30 GPM,S67,CAL |
| 84208003 | 1 | FLOW METER,4-70 GPM,S67,CAL |
| 84208103 | 1 | FLOW METER,20-160 GPM,S67,CAL |



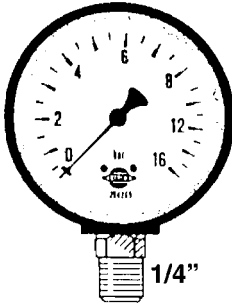
G510



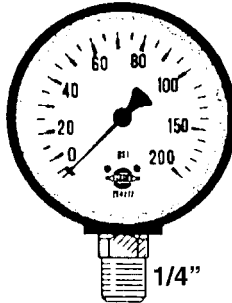
HOSE WRAPS
G510-HIN, 19:05:11

Page 1
Date 06.04.2015 11:27

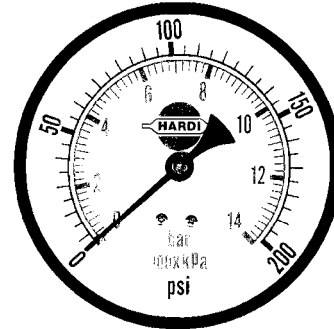
| parts-n° | order qty | description |
|----------|-----------|--------------------------------|
| 241965 | 1 | O-RING 12.1 X 1.6 |
| 242007 | 1 | O-RING D9.1X1.6 |
| 281551 | 1 | BALL VALVE 1/2" |
| 320084 | 1 | FITT.DK NUT 1/2" BSP |
| 330212 | 1 | O-RING D19/D14X2.4 F.1/2"NUT |
| 330326 | 1 | O-RING D30/D24X2 F.1"NUT |
| 330687 | 1 | FITT.DK HB 1/2" F. 1/2" NUT |
| 334190 | 1 | FITT.DK HB 1/2' F. PISTOL 60S |
| 334531 | 1 | CLAMP HOSE PLASTIC 3/4" |
| 636223 | 1 | POST 12 VOLT TR30 |
| 712471 | 1 | AGITATION VALVE ASSY. ON/OFF |
| 843196 | 1 | GUN, MODEL 60S |
| 843197 | 1 | HANDGUN KIT TYPE 60 LONG |
| 10013403 | 1 | BOLT HEX 3/8-16X1 1/4 HCS Z5 |
| 10013503 | 1 | NUT HEX NC 3/8" |
| 10178903 | 1 | WRAP HOSE SIDE MOUNT PLATE |
| 10179003 | 1 | WRAP HOSE BOTTOM PLATE MOUNT |
| 10179403 | 1 | WRAP WELDMENT FOR HI101789 |
| 10179503 | 1 | WRAP WELDMENT FOR HI101790 |
| 10225603 | 1 | BKT.FOR HOSE WRAP MOUNT NL NK |
| 10225703 | 1 | WRAP HOSE BDL.BOTTOM PLATE |
| 92702103 | 1 | HOSE R X1/2" X300PSI WP X0012" |



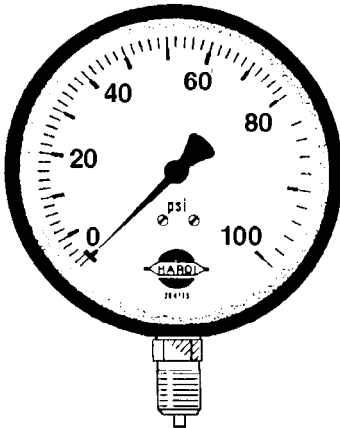
284269
0-8-16 bar
BRASS
2.5" GAUGE



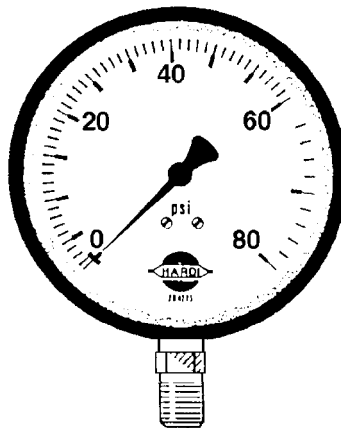
28026203
0-100-200 psi
STAINLESS
2.5" GAUGE



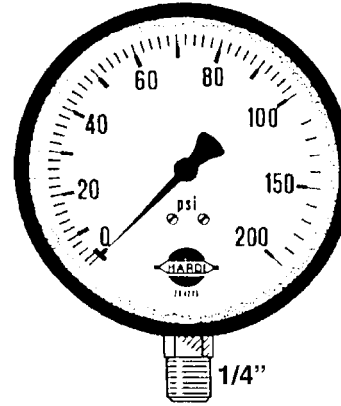
1/4"
28014403
200 psi (14 bar)
STAINLESS
4" GAUGE



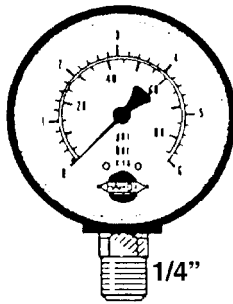
844086
100 bar (1400 psi)
BRASS
2.5" GAUGE



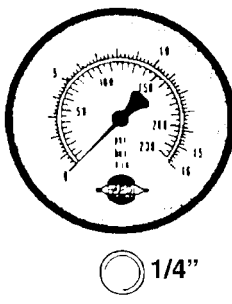
844088
80 bar (1200 psi)
STAINLESS
1.5" GAUGE



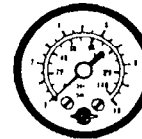
1/4"
28026103
0-100-200 psi
STAINLESS
4" GAUGE



1/4"
280637
6 bar (85 psi)
BRASS
2.5" GAUGE



1/4"
283754
16 bar (230 psi)
BRASS
2.5" GAUGE



M 20
844082
10 bar (140 psi)
BRASS
1.5" GAUGE

G520

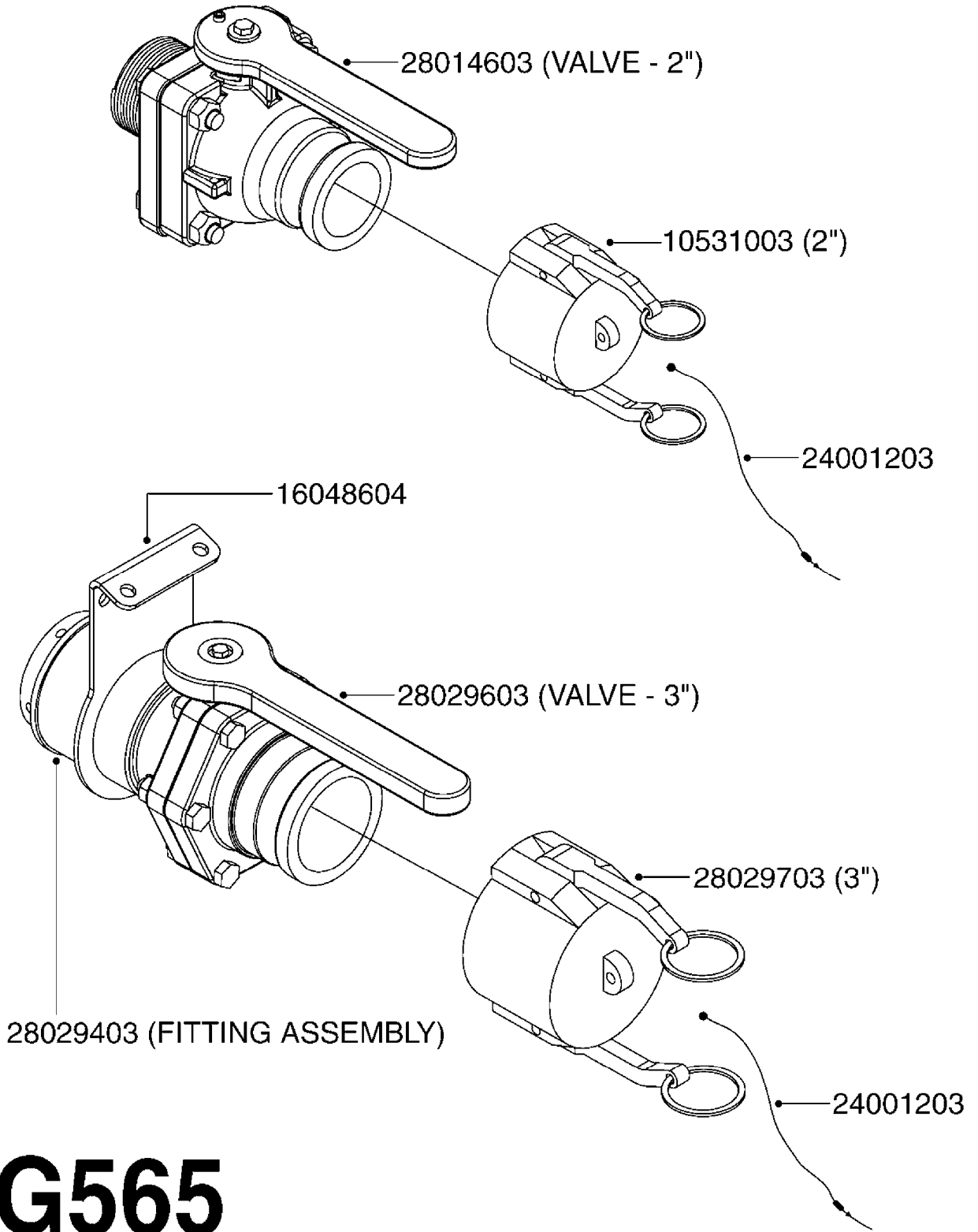


PRESSURE GAUGES
G520-HIN, 01:05:13

Page 1

Date 06.04.2015 11:27

| parts-n° | order qty | description |
|----------|-----------|----------------------------------|
| 280637 | 1 | GAUGE 2.5"BR BOTT.PSI85 BAR6 |
| 283754 | 1 | GAUGE 2.5'BR REAR PSI200 BAR16 |
| 284269 | 1 | GAUGE 2.5'BR BOTT.BAR16 |
| 844082 | 1 | GAUGE 1.5'BR REAR PSI140BAR10 |
| 844086 | 1 | GAUGE 2.5'BR BOTT.PSI1000BAR80 |
| 844088 | 1 | GAUGE 2.5'BR BOTT PSI1200BAR80 |
| 28014403 | 1 | GAUGE 4"BR REAR PSI200 |
| 28026103 | 1 | GAUGE 200PSI/BR, 4", 1/4"BSP-BTM |
| 28026203 | 1 | GAUGE 200PSI/BR, 2.5"1/4BSP-BTM |



G565

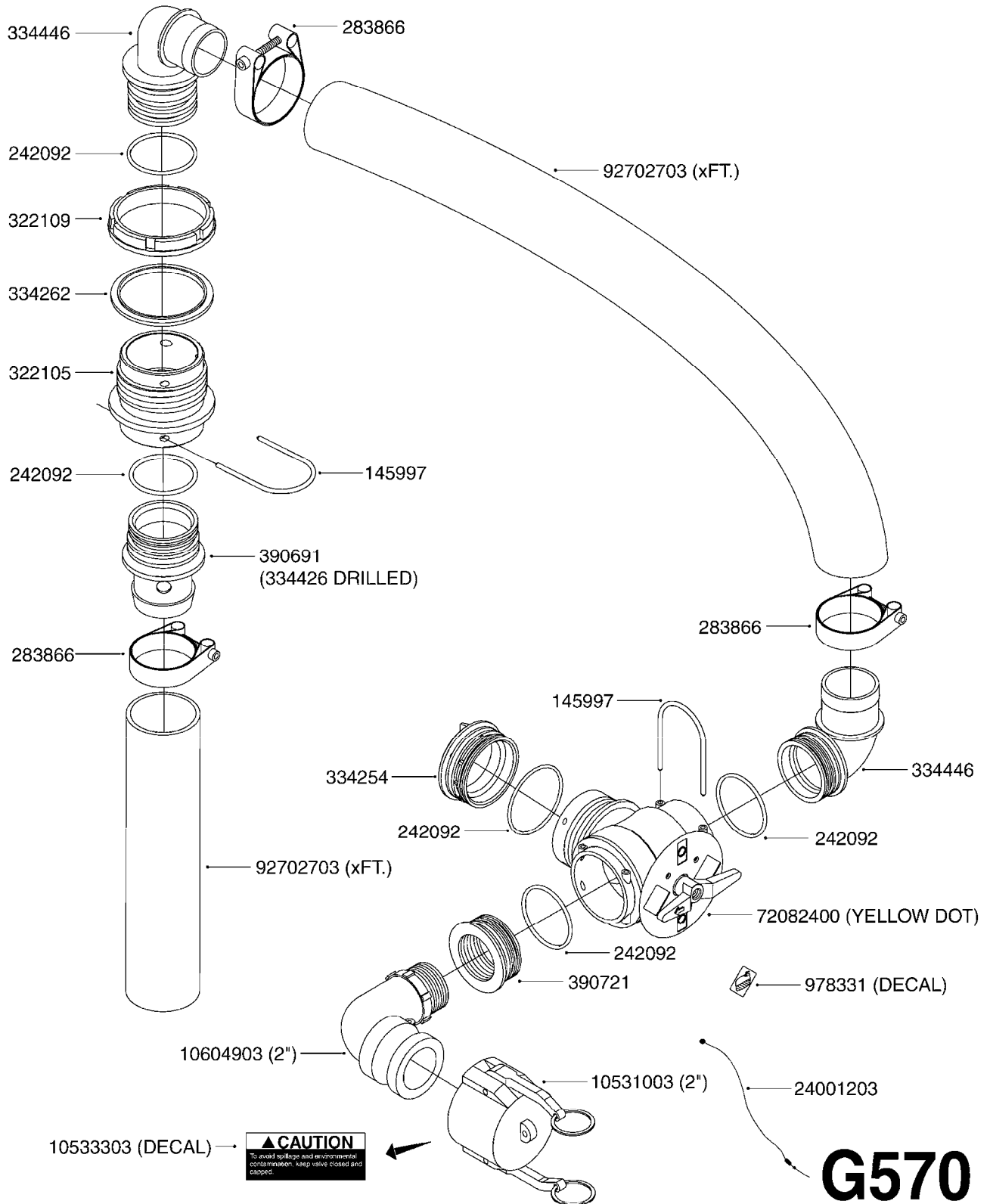


QUICKFILL-VALVES-BANJO 2" & 3"
G565-HIN, 12:12:05

Page 1

Date 06.04.2015 11:27

| parts-n° | order qty | description |
|----------|-----------|--------------------------------|
| 10531003 | 1 | CAP F.MALE QUICK COUPLER 2" |
| 16048604 | 1 | QUICK FILL BKT. NAV. 575-1100 |
| 24001203 | 1 | RBR LANYARD 11" F.QCK FILL CAP |
| 28014603 | 1 | VALVE STUBBY 2" BANJO |
| 28029403 | 1 | 3"NPT MALE X S93 FEMALE |
| 28029603 | 1 | VALVE STUBBY 3" BANJO |
| 28029703 | 1 | CAP F.MALE QUICK COUPLER 3" |

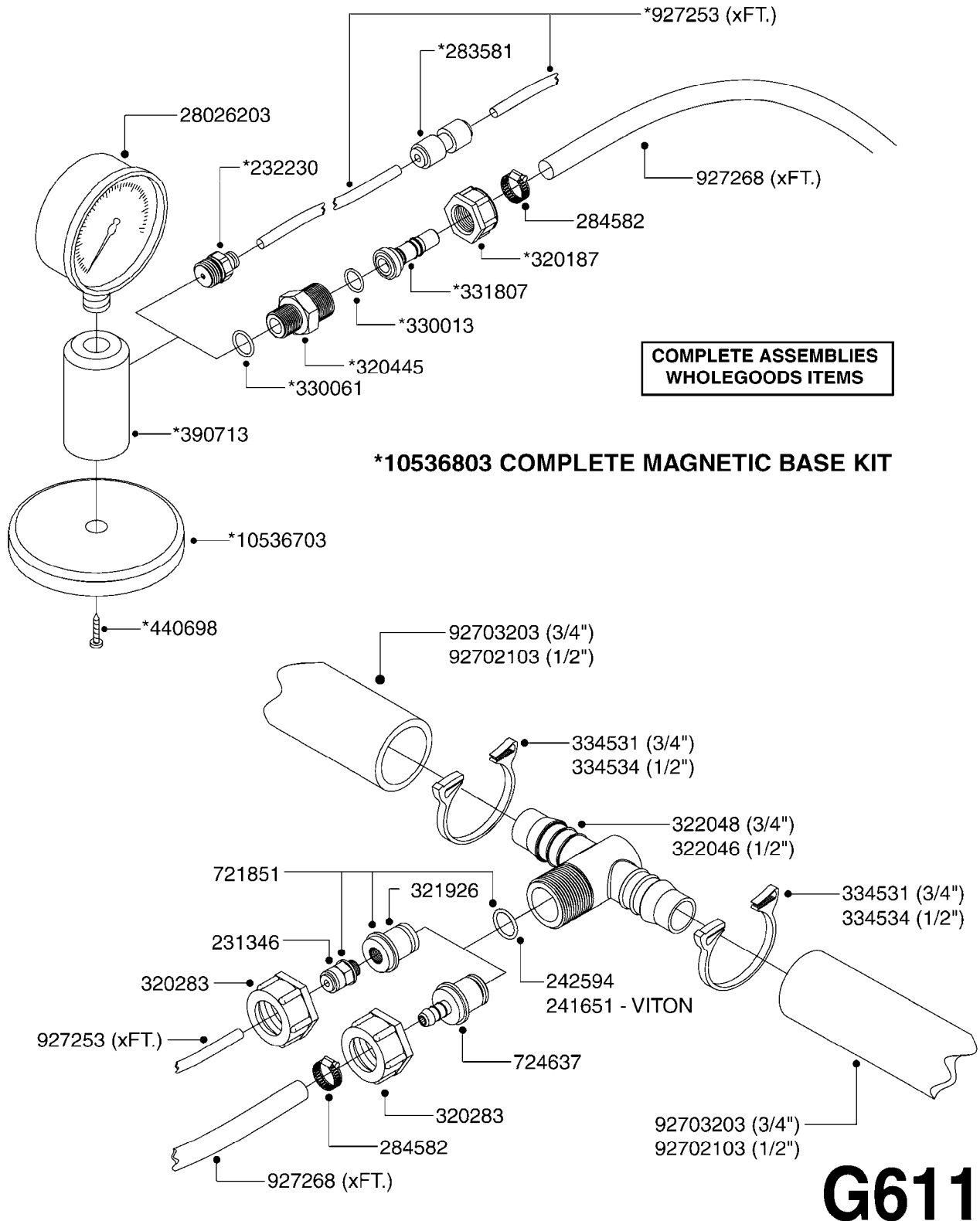




S93 QUICKFILL SYSTEM
G570-HIN, 20:12:10

Page 1
Date 06.04.2015 11:27

| parts-n° | order qty | description |
|----------|-----------|--------------------------------|
| 145997 | 1 | FITT.DK S-93 FORK |
| 242092 | 1 | O-RING D69.5X3 (Use-242351) |
| 283866 | 1 | CLAMP HOSE SCREW TYPE 2"DELTA |
| 322105 | 1 | FITT.DK S-93 BULKHEAD DOUBLE |
| 322109 | 1 | FITT.DK S-93 BULKHEAD NUT |
| 334254 | 1 | FITT.DK S-93 PLUG |
| 334262 | 1 | GASKET F.S-93 BULKHEAD |
| 334426 | 1 | FITT.DK S-93 STR.2' |
| 334446 | 1 | FITT.DK S-93 ELB.2" PVC |
| 390691 | 1 | FITT.DK S-93 STR.2"PVC DRILLED |
| 390721 | 1 | FITT.DK S-93 PLUG W/2'NPT THRE |
| 978331 | 1 | DECAL MANIFOLD SYS.QUICK-FILL |
| 10531003 | 1 | CAP F.MALE QUICK COUPLER 2" |
| 10533303 | 1 | DECAL CAUTION-LEAK Q.FILL ENG |
| 10604903 | 1 | QUICK COUPLER MALE 2' 90DEG |
| 24001203 | 1 | RBR LANYARD 11" F.QCK FILL CAP |
| 72082400 | 1 | VALVE 2"-S93 3 WAY |
| 92702703 | 1 | HOSE PVC SUCT GRAY 2" |





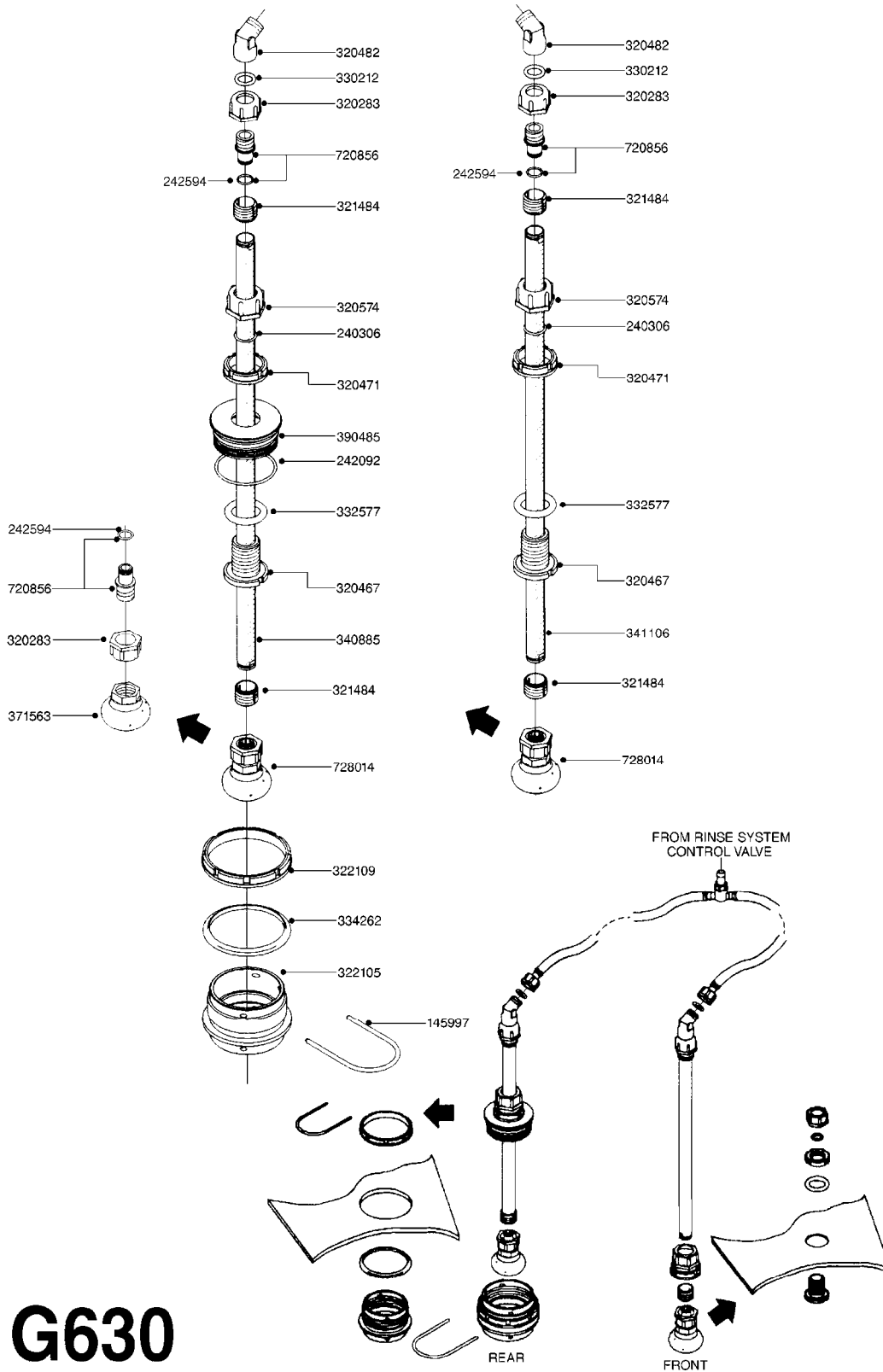
REMOTE GAUGE-MAGNETIC BASE KIT
G611-HIN, 19:05:11

Page 1
Date 06.04.2015 11:27

| parts-n° | order qty | description |
|----------|-----------|--------------------------------|
| 231346 | 1 | QUICK COUPLER 1/8"BSP X 4 MM |
| 232230 | 1 | QUICK COUPLER 1/4"BSP X 4 MM |
| 241651 | 1 | O-RING D14.0X3.0 NITRIL |
| 242594 | 1 | O-RING D14 X 1.78 SCH.70-EPDM |
| 283581 | 1 | HOSE CONNECTOR STR. F.4MM PE |
| 284582 | 1 | CLAMP HOSE GEAR - 5/16" |
| 320187 | 1 | FITT.DK CAP 3/8" BSP BLACK |
| 320283 | 1 | FITT.DK NUT 3/4"BSP |
| 320445 | 1 | FITT.DK HN 1/4"X3/8" BSP |
| 321926 | 1 | FITT.DK REDUC 1/8"BSP F.3/4"N |
| 322046 | 1 | FITT.DK TEE 1/2X1/2HB X3/4'BSP |
| 322048 | 1 | FITT.DK TEE 3/4X3/4HB X3/4'BSP |
| 330013 | 1 | O-RING D15/D10X2.5 F.3/8"NUT |
| 330061 | 1 | O-RING D16/D11X2,5 |
| 331807 | 1 | FITT.DK HB 5/16" F.3/8" NUT |
| 334531 | 1 | CLAMP HOSE PLASTIC 3/4" |
| 334534 | 1 | CLAMP HOSE PLASTIC 1/2" |
| 390713 | 1 | GAUGE ADAPTOR 1/4" BSP |
| 440698 | 1 | SCREW F.PLASTIC 6X18 SS HEXHD |
| 721851 | 1 | SCREW PLUG W/QUICK FIT |
| 724637 | 1 | FITT.DK HB 5/16' F. 3/4" COMP. |
| 927253 | 1 | AIR HOSE, DIAMETER 4MM |
| 927268 | 1 | HOSE R X PVC X 1/4 X 0012" |
| 10536703 | 1 | MAGNETIC BASE D3,2'/90LB |
| 10536803 | 1 | MAGNETIC BASE KIT F.GAUGE |
| 28026203 | 1 | GAUGE 200PSI/BR,2.5"1/4BSP-BTM |
| 92702103 | 1 | HOSE R X1/2" X300PSI WP X0012" |
| 92703203 | 1 | HOSE R X3/4" X300PSI WP X0012" |



RINSE SYSTEM NOZZLES
G630-HIN, 28:11:06





RINSE SYSTEM NOZZLES
G630-HIN, 28:11:06

Page 1
Date 06.04.2015 11:27

| parts-n° | order qty | description |
|----------|-----------|--------------------------------|
| 145997 | 1 | FITT.DK S-93 FORK |
| 240306 | 1 | O-RING D29/D21X4 |
| 242092 | 1 | O-RING D69.5X3 (Use-242351) |
| 242594 | 1 | O-RING D14 X 1.78 SCH.70-EPDM |
| 320283 | 1 | FITT.DK NUT 3/4"BSP |
| 320467 | 1 | FITT.DK BULKHEAD 1"BSP SINGLE |
| 320471 | 1 | FITT.DK NUT 1" BSP JAMB |
| 320482 | 1 | FITT.DK ELB. 1/2" BSP 60 DEG. |
| 320574 | 1 | FITT.DK NUT 1" BSP SPECIAL |
| 321484 | 1 | BUSHING THREADED F.NOZZ.TUBE |
| 322105 | 1 | FITT.DK S-93 BULKHEAD DOUBLE |
| 322109 | 1 | FITT.DK S-93 BULKHEAD NUT |
| 330212 | 1 | O-RING D19/D14X2.4 F.1/2"NUT |
| 332577 | 1 | O-RING D38/D30X4 F.1" PUR. |
| 334262 | 1 | GASKET F.S-93 BULKHEAD |
| 340885 | 1 | TUBE F. RINSE NOZZLE L=600 |
| 341106 | 1 | TUBE F.RINSE NOZZLE L=220 |
| 371563 | 1 | NOZZLE FOR TANK RINSE |
| 390485 | 1 | FITT.DK S-93 PLUG W D34 HOLE |
| 720856 | 1 | FITT.DK 1/2'BSP ASSY.F.3/4'NUT |
| 728014 | 1 | RINSE NOZZLE MOUNTED |

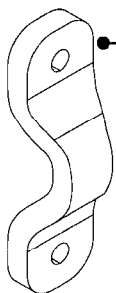


RINSE SYSTEM PLUMBING
G640-HIN, 19:05:11

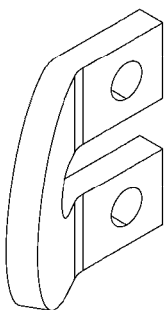
Page 1

Date 06.04.2015 11:27

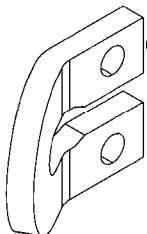
| parts-n° | order qty | description |
|----------|-----------|--------------------------------|
| 168030 | 1 | BRACKET F/3 WAY VALVE |
| 172280 | 1 | FLATBAR 30X5 L=270 4XD9 90DEG. |
| 241441 | 1 | O-RING D29.3X3 |
| 241883 | 1 | O-RING D39.2X3 NITRIL 242020 |
| 242353 | 1 | O-RING D44.2X3.0 VITON F.S-67 |
| 242354 | 1 | O-RING D32.2X3.0 VITON F.S-53 |
| 242594 | 1 | O-RING D14 X 1.78 SCH.70-EPDM |
| 284585 | 1 | CLAMP HOSE GEAR 1" MINI 020 |
| 320084 | 1 | FITT.DK NUT 1/2" BSP |
| 320095 | 1 | FITT.DK NUT 1" BSP |
| 320283 | 1 | FITT.DK NUT 3/4"BSP |
| 320294 | 1 | FITT.DK TEE 3/8X3/8HB X1/2"BSP |
| 320316 | 1 | FITT.DK TEE 3/4" X3/4" X1"BSP |
| 320821 | 1 | FITT.DK NUT 1-1/2" BSP |
| 321495 | 1 | FITT.DK REDUC 1/4'BSP F.3/4'NT |
| 322065 | 1 | FITT.DK UNION 1' BSP/S-56 |
| 322066 | 1 | FITT.DK S-56 NUT |
| 330212 | 1 | O-RING D19/D14X2.4 F.1/2"NUT |
| 330326 | 1 | O-RING D30/D24X2 F.1"NUT |
| 330341 | 1 | FITT.DK HB 1" F. 1" NUT |
| 330595 | 1 | O-RING D24.6/D20X2.1 -3/4" |
| 330676 | 1 | FITT.DK HB 3/8" F. 1/2" NUT |
| 330687 | 1 | FITT.DK HB 1/2" F. 1/2" NUT |
| 332286 | 1 | FITT.DK HB 1/2" F. 3/4" NUT |
| 334050 | 1 | FITT.DK S-61 STR.1-1/4" |
| 334059 | 1 | FITT.DK EL 1" 110 DEG.F.1-1/2" |
| 334068 | 1 | FITT.DK S-61 STR.1" |
| 334100 | 1 | FITT.DK S-61 ELB.1" 110 DEG. |
| 334151 | 1 | FITT.DK S-61 ELB.1-1/4"110 DEG |
| 334239 | 1 | FITT.DK S-53 ELB.1/2" |
| 334564 | 1 | FITT.DK S-67 TO S-53 ADAPTER |
| 420582 | 1 | BOLT HEX 8.8 DEL M8X20 FT A2 |
| 460143 | 1 | NUT HEX M8 LOCK A2 DIN985 |
| 725348 | 1 | VALVE 3 WAY BLUE |
| 978338 | 1 | DECAL MANIFOLD SYS.RINSE NOZ |
| 28026203 | 1 | GAUGE 200PSI/BR,2.5"1/4BSP-BTM |
| 28029803 | 1 | CLAMP HOSE GEAR P1/2" 6708 |
| 92701703 | 1 | HOSE R X3/8" X300PSI WP X0012" |
| 92702103 | 1 | HOSE R X1/2" X300PSI WP X0012" |
| 92712403 | 1 | HOSE R X1" X300PSI WP X0012" |



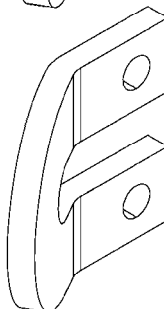
16023103: CM1500



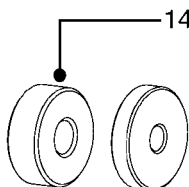
16056103: CM+1200



16056003: CM+750



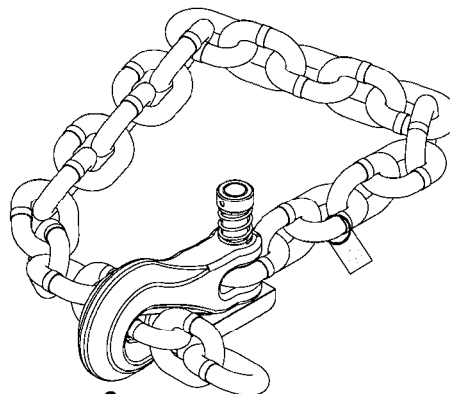
16020303: NEW NAV1100
NEW NAV575
TR/PS/NS



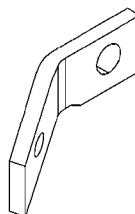
14001103: NAV550/800/1000



14001203: NAV550/800/1000



28017703: CM+1200/CM1500
29000403: CM+750/NAVM/NAV575/TR/PS/NS
28014703: NEW NAV1100



10275803: TR300/500

COMPLETE ASSEMBLIES:

- 70016803: CM1500
- 83312203: CM+1200
- 83312103: CM+750
- 83312003: NEW NAV1100
- 83311903: NEW NAV575
- 70012403: NAV550/800/1000
- 10276003: TR300/500

G645

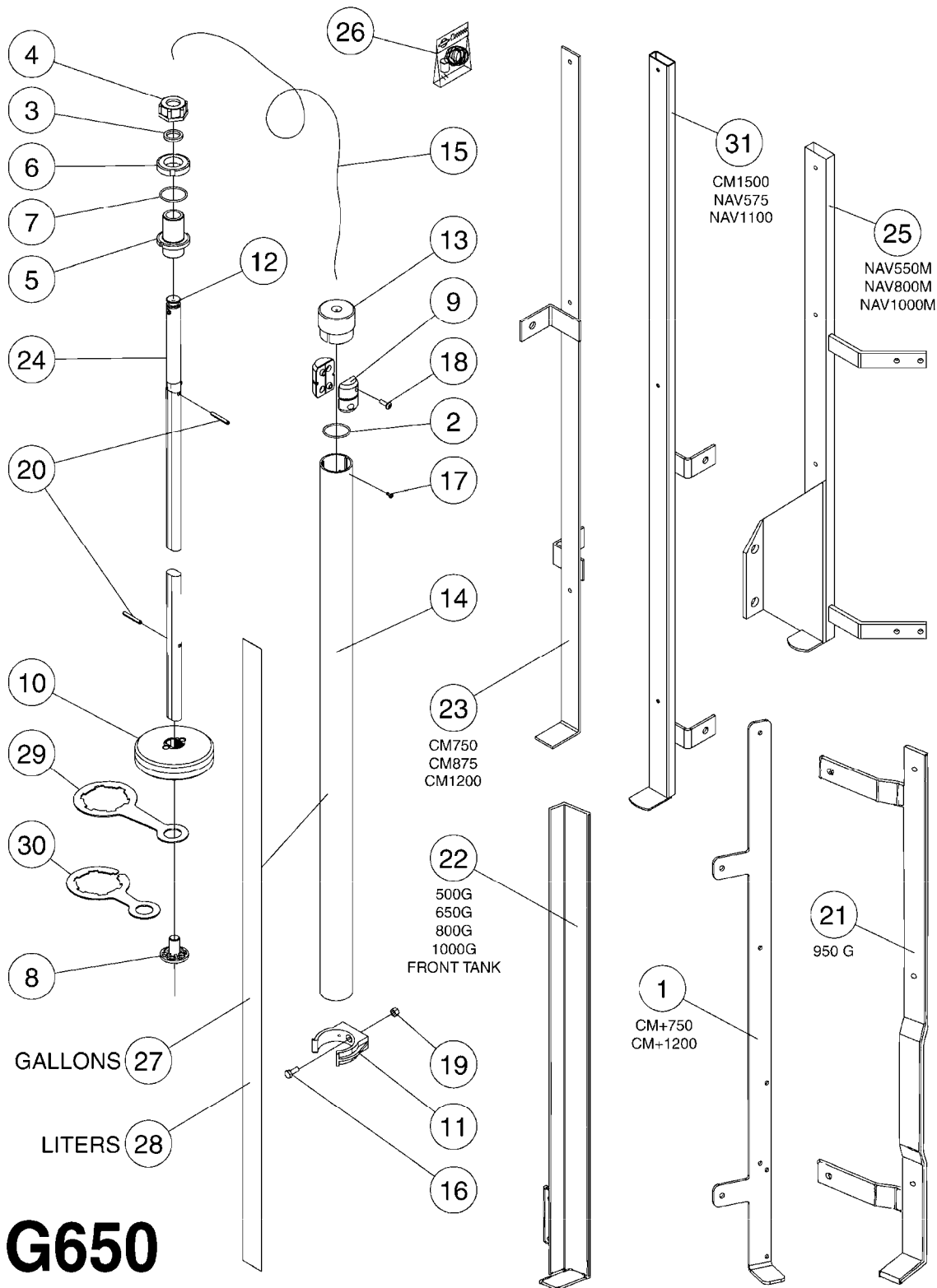


SAFETY CHAINS
G645-HIN, 12:12:05

Page 1

Date 06.04.2015 11:27

| parts-n° | order qty | description |
|----------|-----------|--------------------------------|
| 10275803 | 1 | CHAIN BKT. FOR TR300/500/TX650 |
| 10276003 | 1 | SAFETY CHAIN KIT TR300/500 |
| 14001103 | 1 | MOUNTING HUB F. SAFETY CHAIN |
| 14001203 | 1 | MNT WASHER F. SAFE CHAIN KIT |
| 16020303 | 1 | SAFETY CHAIN MNT.BRKT.30,400LB |
| 16023103 | 1 | SAFETY CHAIN MNT.BRKT.40,500LB |
| 16056003 | 1 | SAFETY CHAIN MNT.BRKT.16100 lb |
| 16056103 | 1 | SAFETY CHAIN MNT.BRKT.40500 lb |
| 28014703 | 1 | SAFETY CHAIN 30,400LBS CERT. |
| 28017703 | 1 | SAFETY CHAIN 40,500LBS CERT. |
| 29000403 | 1 | SAFETY CHAIN CERT 16100LB |
| 70012403 | 1 | *SAFETY CHAIN KIT 16100LB NAV |
| 70016803 | 1 | SAFETY CHAIN KIT CM1500 |
| 83311903 | 1 | SAFTY CHAIN KIT 575 NAV. |
| 83312003 | 1 | SAFETY CHAIN KIT 1100 NAV. |
| 83312103 | 1 | SAFETY CHAIN KIT CM+750 |
| 83312203 | 1 | SAFETY CHAIN KIT CM+1200 |





SIGHT GAUGE - REMOTE
G650-HIN, 13:06:11

Page 1
Date 06.04.2015 11:27

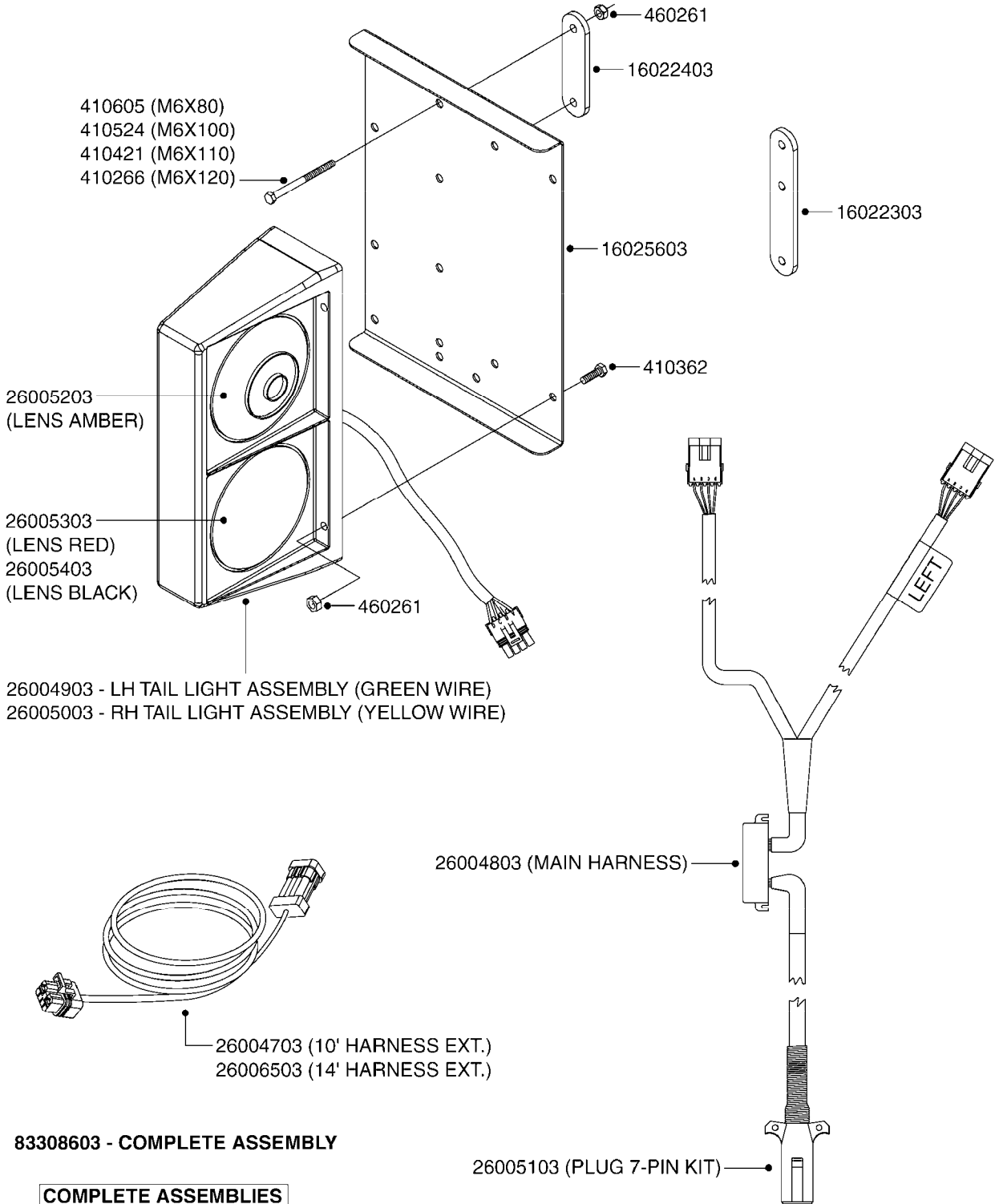
| Pos. | parts-n° | order qty | description |
|------|----------|-----------|--|
| 1 | 161950 | 1 | SIGHT GAUGE MT BKT CM+ 750/120 |
| 2 | 242262 | 1 | O-RING D31X3 VITON |
| 3 | 242309 | 1 | SEAL Ø22 ID Ø30 OD X 4 HIGH |
| 4 | 320095 | 1 | FITT.DK NUT 1" BSP |
| 5 | 320456 | 1 | FITT.DK BULKHEAD 1"BSP DOUBLE |
| 6 | 320471 | 1 | FITT.DK NUT 1" BSP JAMB |
| 7 | 332577 | 1 | O-RING D38/D30X4 F.1" PUR. |
| 8 | 333864 | 1 | GUIDE F. SAFETY VALVE SPRING |
| 9 | 334513 | 1 | MARKER HALF SIGHT GAUGE |
| 10 | 334515 | 1 | FLOATER FOR LIQUID LEVEL |
| 11 | 334523 | 1 | PIPE HOLDER D51.5 |
| 12 | 334849 | 1 | SIGHT GAUGE GUIDE F. SS TUBE |
| 13 | 334850 | 1 | GUIDE F. SIGHT GAUGE TUBE TOP |
| 14 | 34000703 | 1 | TUBE F. DRY GAUGE L=1200 BENT RANGER 2200 |
| 14 | 341202 | 1 | TUBE F.SIGHT GAUGE L=40" |
| 14 | 341204 | 1 | SIGHT GAUGE TUBE L=59" |
| 14 | 341273 | 1 | TUBE F.SIGHT GAUGE L=65" |
| 14 | 341283 | 1 | TUBE F.SIGHT GAUGE L=72" |
| 14 | 341307 | 1 | TUBE F.SIGHT GAUGE L=75" NCM 4400 |
| 14 | 341339 | 1 | TUBE F.SIGHT GAUGE L=82" NCM 6600 |
| 14 | 341340 | 1 | TUBE F.SIGHT GAUGE L=94" (2382) NCM 9000 |
| 15 | 28034100 | 1 | CABLE F.LIQUID LEVEL IND.L=5M |
| 15 | 390487 | 1 | CORD NYLON/SIGHT GAUGE 4500mm |
| 16 | 410185 | 1 | BOLT HEX 8.8 DEL M6X16 A2 |
| 16 | 410362 | 1 | BOLT HEX 8.8 SS M6X20 FT |
| 17 | 440663 | 1 | SCREW 3/8" NR4 STAINLESS |
| 18 | 440677 | 1 | SCREW F. PLASTIC 5X20 SS |
| 19 | 460261 | 1 | NUT HEX M6X1 LOCK A2 DIN985 |
| 20 | 480717 | 1 | PIN D5 X 40 STAINLESS |
| 20 | 480730 | 1 | PIN ROLL 5X30 STAINLESS STEEL |
| 21 | 615197 | 1 | BKT.SIGHT GAUGE HC950 |
| 22 | 615308 | 1 | BRACKET FOR SIGHT TUBE |
| 23 | 615941 | 1 | SIGHT GAUGE MOUNT BRACKET CM |
| 24 | 61022100 | 1 | GUIDE TUBE F NP1100/CM1500 |
| 24 | 61022600 | 1 | GUIDE TUBE F.FLOATER NAV 575G NAV 575 & RANGER 2200 |
| 24 | 61036700 | 1 | GUIDE TUBE F.FLOAT NCM 4400 NCM 4400 & NAV 4000 |
| 24 | 61038600 | 1 | GUIDE TUBE F.FLOAT NCM 9000 |
| 24 | 61038700 | 1 | GUIDE TUBE F.FLOAT NCM 6600 |
| 24 | 615942 | 1 | GUIDE TUBE F.FLOATER CM1200G |
| 24 | 615943 | 1 | GUIDE TUBE F.FLOATER CM875G |
| 24 | 615944 | 1 | GUIDE TUBE F.FLOTR 750G 1695mm |
| 24 | 615945 | 1 | GUIDE TUBE F.FLOATER NAV 3000 NAV 3000 & HC650 |
| 24 | 615947 | 1 | GUIDE TUBE F.FLOATER TR 500G NAV 3000 & HC650 |
| 24 | 615948 | 1 | GUIDE TUBE F.FLOATER MEGA 350G |
| 24 | 615949 | 1 | GUIDE TUBE F.FLOATER MEGA 230G |
| 24 | 615951 | 1 | GUIDE TUBE F.FLOATER NAV800G |
| 24 | 615952 | 1 | GUIDE TUBE F.FLOATER NAV1000G |
| 24 | 615954 | 1 | GUIDE TUBE F. FLOATER F.T.250G |
| 24 | 615955 | 1 | GUIDE TUBE F.FLOATER FT.350G |
| 24 | 615957 | 1 | GUIDE TUBE F.FLOATER NAV.550G |
| 25 | 637998 | 1 | MANIFOLD BKT. NAVIGATOR |
| 26 | 741527 | 1 | SIGHT GAUGE KIT SS WIRE '98 |
| 27 | 10637303 | 1 | DECAL SCALE F.270G MISTBLOWER |



SIGHT GAUGE - REMOTE
G650-HIN, 13:06:11

Page 2
Date 06.04.2015 11:27

| Pos. | parts-n° | order qty | description |
|------|----------|-----------|---|
| 27 | 10637403 | 1 | DECAL SCALE M/BLOWER 500 USGAL |
| 27 | 97600003 | 1 | DECAL S/G TUBE 500GAL-99 |
| 27 | 97602603 | 1 | DECAL S/G TUBE CM 1500 |
| 27 | 97604803 | 1 | DECAL SIGHT GAUGE 1100 NAV. |
| 27 | 97604903 | 1 | DECAL SIGHT GAUGE 575 NAV. |
| 27 | 97608903 | 1 | DECAL SIGHT GAUGE 550M NAV. |
| 27 | 97609403 | 1 | DECAL SIGHT GAUGE CM4400 GAL. NCM 4400 (1200 GAL.) |
| 27 | 97609703 | 1 | DECAL S/G RANGER 2200 (600 G) RANGER 2200 (600 GAL.) |
| 27 | 97609803 | 1 | DECAL SIGHT GAUGE CM6600 GAL. NCM 6600 (1850 GAL.) |
| 27 | 97610003 | 1 | DECAL SIGHT GAUGE NCM 9000 GAL NCM 9000 (2400 GAL.) |
| 27 | 97610203 | 1 | DECAL SIGHT GAUGE NAV 3000 GAL NAV 3000 (800 GAL.) |
| 27 | 97610403 | 1 | DECAL SIGHT GAUGE NAV 4000 GAL NAV 4000 (1200 GAL.) |
| 27 | 97611503 | 1 | DECAL SIGHT GAUGE NAV 3500 GAL NAV 3500 (1000 GAL.) |
| 27 | 97613303 | 1 | DECAL S/G RANGER 2000 (GALLON) |
| 27 | 978056 | 1 | DECAL S/G TUBE 500GAL-99 |
| 27 | 978324 | 1 | DECAL SCALE HC650 |
| 27 | 978327 | 1 | DECAL SCALE 500 |
| 27 | 978329 | 1 | DECAL SCALE HC950 |
| 27 | 978387 | 1 | DECAL SCALE NAV 800 |
| 27 | 978388 | 1 | DECAL SCALE NAV 1000 |
| 27 | 978431 | 1 | DECAL SCALE MEGA 230 G |
| 27 | 978432 | 1 | DECAL SCALE MEGA 350 G |
| 27 | 978469 | 1 | DECAL SCALE F.TANK 250G |
| 27 | 978470 | 1 | DECAL SCALE F.TANK 350G |
| 27 | 978610 | 1 | DECAL SCALE CM750 US GAL |
| 27 | 978691 | 1 | DECAL SCALE CM875 |
| 27 | 978692 | 1 | DECAL SCALE CM1200 |
| 28 | 89109004 | 1 | DECAL SIGHT GAUGE 9000 LITERS |
| 28 | 97607203 | 1 | DECAL S/G TUBE 4200L. NEW NAV |
| 28 | 97609903 | 1 | DECAL S/G RANGER 2200 LITERS |
| 28 | 97610503 | 1 | DECAL SIGHT GAUGE NAV 4000 LIT |
| 28 | 97611403 | 1 | DECAL SIGHT GAUGE NAV 3500 LIT |
| 28 | 97613403 | 1 | DECAL S/G RANGER 2000 (LITER) |
| 28 | 97808000 | 1 | DECAL SIGHT GAUGE CM4400 LITER |
| 28 | 978127 | 1 | DECAL SCALE NAV550M METRIC |
| 28 | 978128 | 1 | DECAL SCALE NAV800M METRIC |
| 28 | 978129 | 1 | DECAL SCALE NAV1000M METRIC |
| 28 | 97813700 | 1 | DECAL SIGHT GAUGE CM6600 LITER |
| 28 | 97820900 | 1 | DECAL SIGHT GAUGE NAV 3000 LTR |
| 28 | 978291 | 1 | DECAL SCALE HC950M METRIC |
| 28 | 978313 | 1 | DECAL SCALE HC650M METRIC |
| 28 | 978589 | 1 | DECAL SCALE CM 3200 LITERS |
| 28 | 978590 | 1 | DECAL SCALE CM 4200 LITERS |
| 28 | 978690 | 1 | DECAL SCALE CM750 METRIC |
| 29 | 16025500 | 1 | TANK SPACER SIGHT GAUGE |
| 30 | 16135600 | 1 | GUIDE FOR SIGHT GAUGE NAV/NCM |
| 31 | 61005703 | 1 | BRACKET WELD SIGHT GAUGE |



COMPLETE ASSEMBLIES
WHOLEGOODS ITEMS

G680

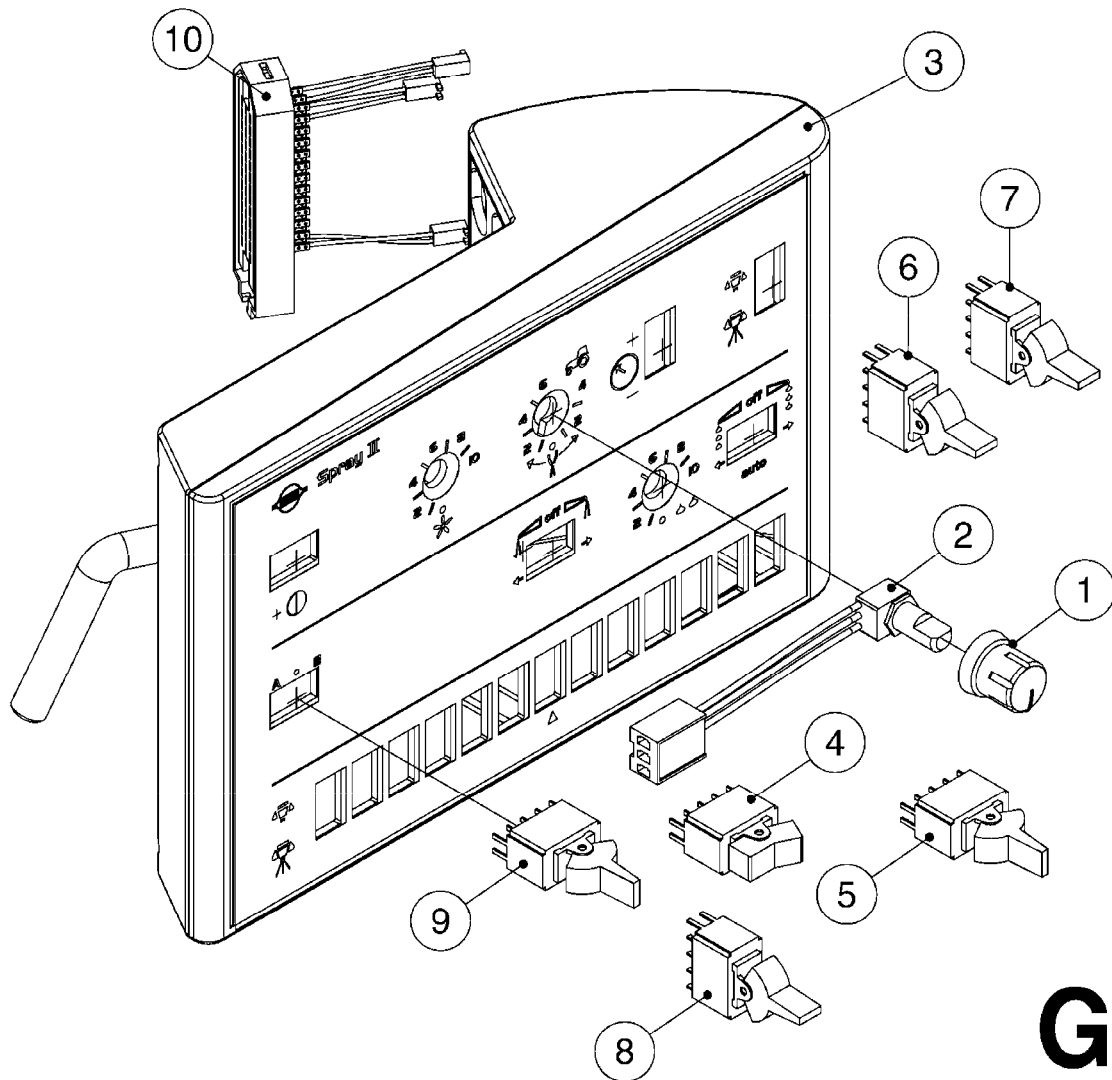


TRAFFIC LIGHT KIT
G680-HIN, 01:01:01

Page 1

Date 06.04.2015 11:27

| parts-n° | order qty | description |
|----------|-----------|------------------------------|
| 410266 | 1 | BOLT HEX 8.8 DEL M6X120 |
| 410362 | 1 | BOLT HEX 8.8 SS M6X20 FT |
| 410421 | 1 | BOLT HEX M6X110 DIN931-A2 SS |
| 410524 | 1 | BOLT HEX 8.8 DEL M6X100 |
| 410605 | 1 | BOLT HEX 8.8 DEL M6X80 |
| 460261 | 1 | NUT HEX M6X1 LOCK A2 DIN985 |
| 16022303 | 1 | BRACKET 100MM TUBE |
| 16022403 | 1 | BRACKET 60MM TUBE |
| 16025603 | 1 | BRACKET TAIL LIGHT DUAL LAMP |
| 26004703 | 1 | HARNESS 13' EXT 4 WIRE WP |
| 26004803 | 1 | HARNESS MAIN TAIL LIGHT |
| 26004903 | 1 | TAIL LIGHT GREEN WIRE LH |
| 26005003 | 1 | TAIL LIGHT YELLOW WIRE RH |
| 26005103 | 1 | PLUG 7-PIN AG TAIL LIGHT |
| 26005203 | 1 | LENS AMBER BEFORE 2009 |
| 26005303 | 1 | LENS RED BEFORE 2009 |
| 26005403 | 1 | LENS BLACK BEFORE 2009 |
| 26006503 | 1 | HARNESS 14' EXT 4 WIRE WP |
| 83308603 | 1 | TRAFFIC LIGHT KIT |



G702



SPRAYBOX II
G702-HIN, 05:08:14

Page 1

Date 06.04.2015 11:27

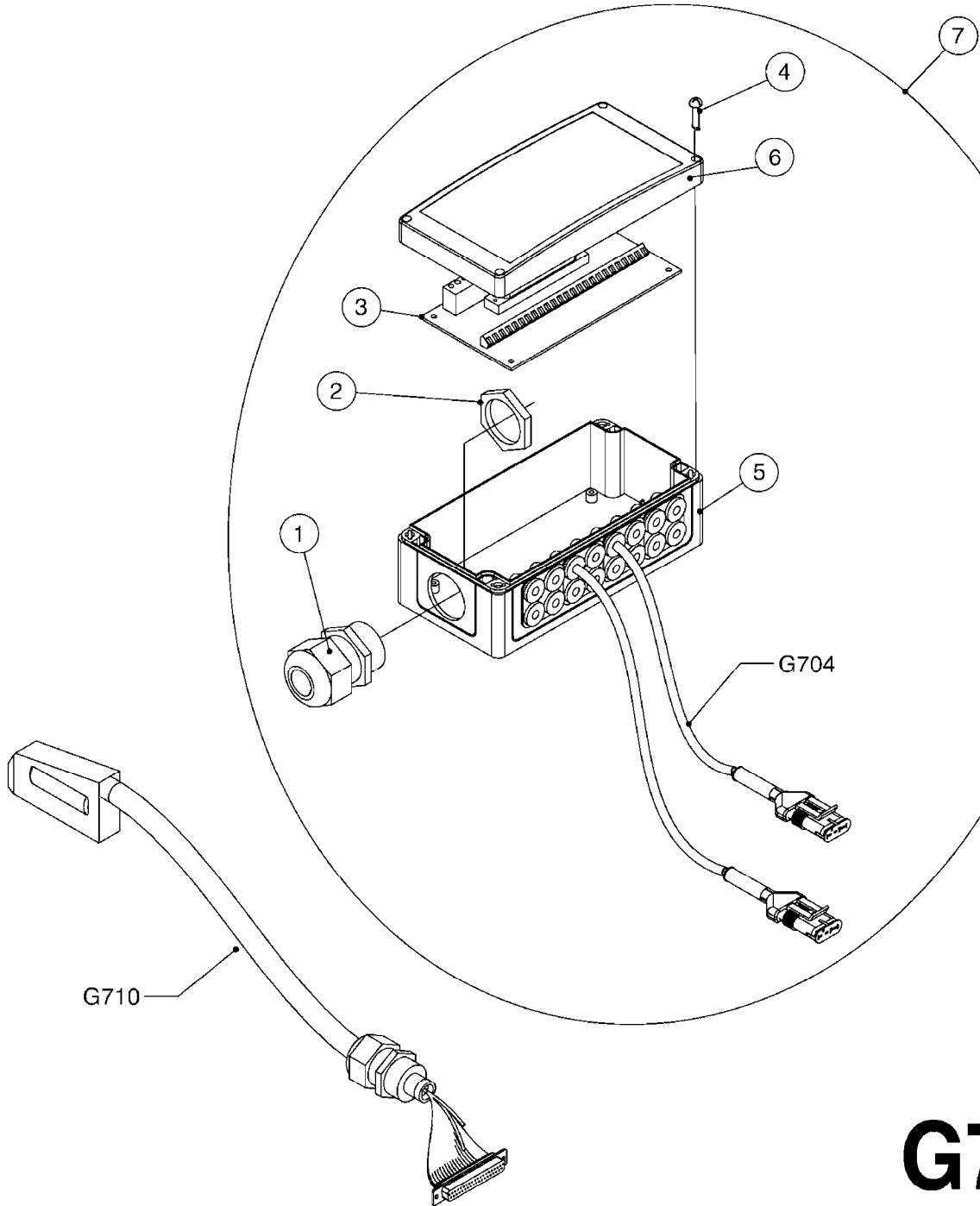
| Pos. | parts-n° | order qty | description |
|------|----------|-----------|--------------------------------|
| 1 | 26000400 | 1 | KNOB F.FOAM ADJUST HC5500 |
| 2 | 26005300 | 1 | POT.METER F. SPRAYBOX II |
| 3 | 26010200 | 1 | CONTROL BOX 2SEC, SPRAY BOX II |
| 3 | 26010300 | 1 | CONTROL BOX 3SEC, SPRAY BOX II |
| 3 | 26010400 | 1 | CONTROL BOX 4SEC, SPRAY BOX II |
| 3 | 26010500 | 1 | CONTROL BOX 5SEC, SPRAY BOX II |
| 3 | 26010600 | 1 | CONTROL BOX 6SEC, SPRAY BOX II |
| 3 | 26010700 | 1 | CONTROL BOX 7SEC, SPRAY BOX II |
| 3 | 26010800 | 1 | CONTROL BOX 8SEC, SPRAY BOX II |
| 3 | 26010900 | 1 | CONTROL BOX 9SEC, SPRAYBOX II |
| 3 | 26011000 | 1 | SPRAY CONT. II EVC 4 SEC. HAZ |
| 3 | 26011100 | 1 | SPRAY CONT. II EVC 5 SEC. HAZ |
| 3 | 26011200 | 1 | SPRAY CONT. II EVC 6 SEC. HAZ |
| 3 | 26011300 | 1 | SPRAY CONT. II EVC 7 SEC. HAZ |
| 3 | 26013600 | 1 | CONTROL BOX 13SEC, SPRAYBOX II |
| 4 | 26020200 | 1 | SWITCH ON-ON SP ROCKER RED |
| 5 | 26020300 | 1 | SWITCH ON-OFF-ON SP BLACK |
| 6 | 26020400 | 1 | SWITCH MOM-OFF-MOM SP YELLOW |
| 7 | 26020600 | 1 | SWITCH ON-ON SP GREEN |
| 8 | 26020800 | 1 | SWITCH ON-ON DP GREEN |
| 9 | 26021000 | 1 | SWITCH ON-OFF-ON DP BLACK |
| 10 | 28031400 | 1 | PLUG 39-POLE FEMALE HC5500 |



JUNCTION BOX - LIQUID
G705-HIN, 01:12:10

Page 0

Date 06.04.2015 11:27



G705



JUNCTION BOX - LIQUID
G705-HIN, 01:12:10

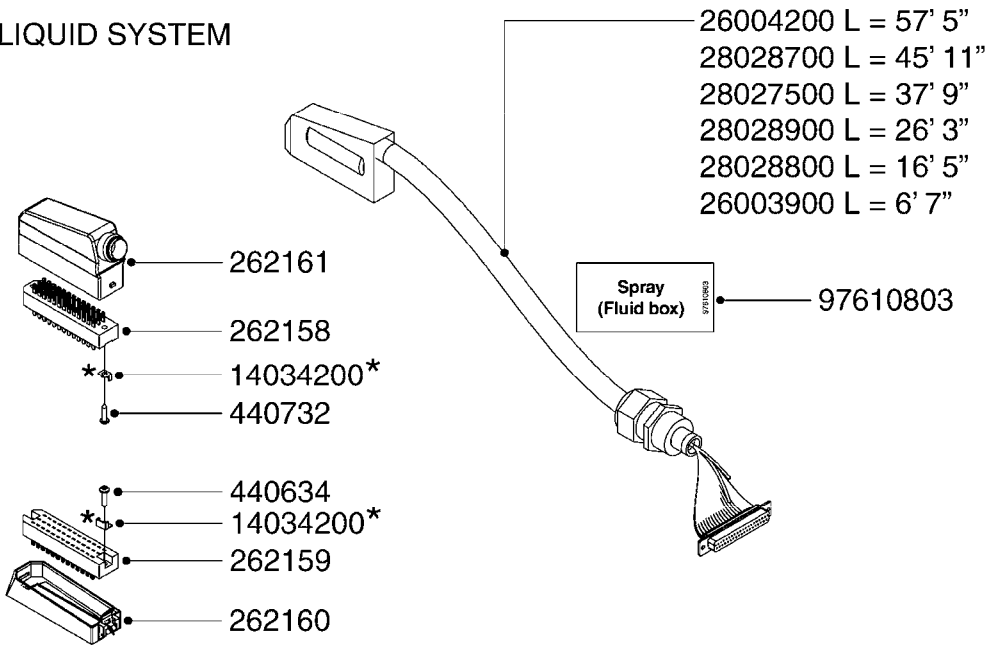
Page 1

Date 06.04.2015 11:27

| Pos. | parts-n° | order qty | description |
|------|----------|-----------|--|
| 1 | 262106 | 1 | BULKHEAD F. CABLE 6.5-14 BLACK |
| 2 | 262107 | 1 | NUT F. BULKHEAD CABLE BLACK |
| 3 | 26004800 | 1 | CIRCUIT BD SEC VLV NCM 13SEC 13 SECTION |
| 3 | 72173900 | 1 | CIRCUIT BD SEC VLV 39PIN 9SEC 9 SECTION |
| 4 | 28082100 | 1 | SCREW F. BOX LID 1/4" L=20 |
| 5 | 33508700 | 1 | BOX 160X80X40 BLACK 1-HOLE |
| 6 | 33508800 | 1 | LID 160X80X15 BLK W/SCREWS |
| 7 | 72115400 | 1 | CONNECTION BOX F. OP. UNIT SV9 |

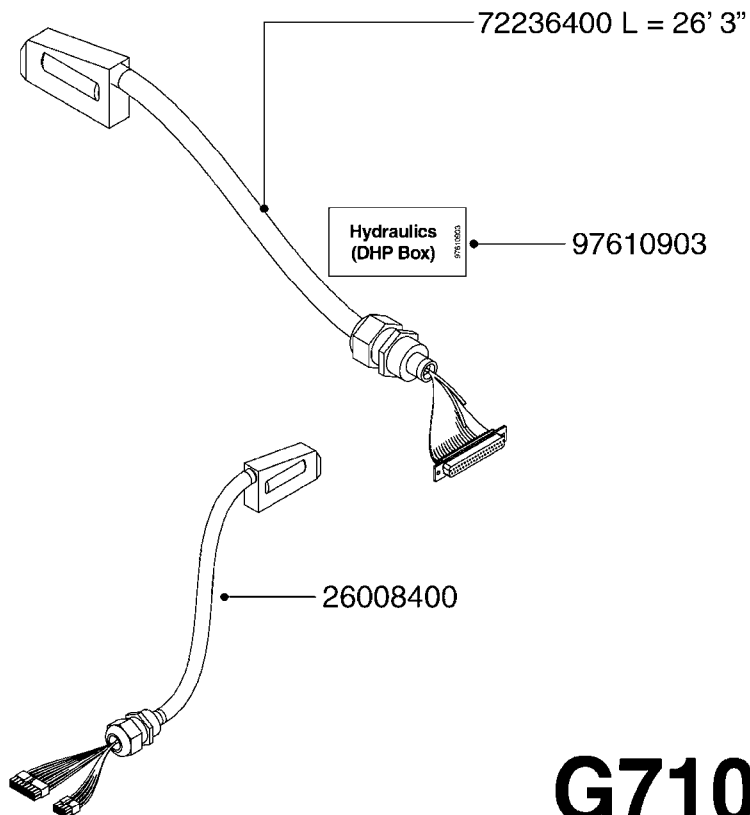
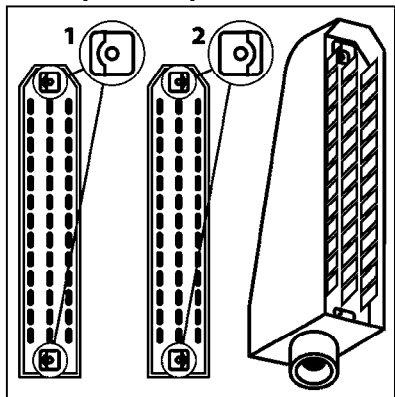


LIQUID SYSTEM



HYDRAULIC SYSTEM

* Note orientation of bracket
 1 = Liquid system
 2 = Hydraulic system



G710



39 PIN CABLES
G710-HIN, 16:05:12

Page 1

Date 06.04.2015 11:27

| parts-n° | order qty | description |
|----------|-----------|-------------------------------|
| 262158 | 1 | PLUG INSERT 39 POLE MALE |
| 262159 | 1 | PLUG INSERT 39 POLE FEMALE |
| 262160 | 1 | PLUG HOUSING 39 POLE FEMALE |
| 262161 | 1 | PLUG HOUSING F/39 POLE MALE |
| 440634 | 1 | SCREW 5/8" |
| 440732 | 1 | PT SCREW 35X12B Z5452 ELZ |
| 14034200 | 1 | CODE BRACKET FOR 39 PIN CABLE |
| 26003900 | 1 | WIRE 37-39 PIN EVC, 6.6' |
| 26004200 | 1 | WIRE 37-39 PIN EVC, 57.4' |
| 26008400 | 1 | WIRE 39-PIN 24 WIRE L=8M |
| 28027500 | 1 | WIRE 37-39 PIN EVC, 37.7' |
| 28028700 | 1 | WIRE 37-39 PIN EVC, 45.9' |
| 28028800 | 1 | WIRE 37-39 PIN EVC, 16.4' |
| 28028900 | 1 | WIRE 37-39 PIN EVC, 26.2' |
| 72236400 | 1 | DAH CONN. WIRE/TRACTOR L=8M |
| 97610803 | 1 | DECAL-SRAY BOX 39-PIN |
| 97610903 | 1 | DECAL-HYDRAULIC BOX 39-PIN |



COMPLETE KIT NO
LONGER AVAILABLE.
FOR '09 KIT
SEE PAGE

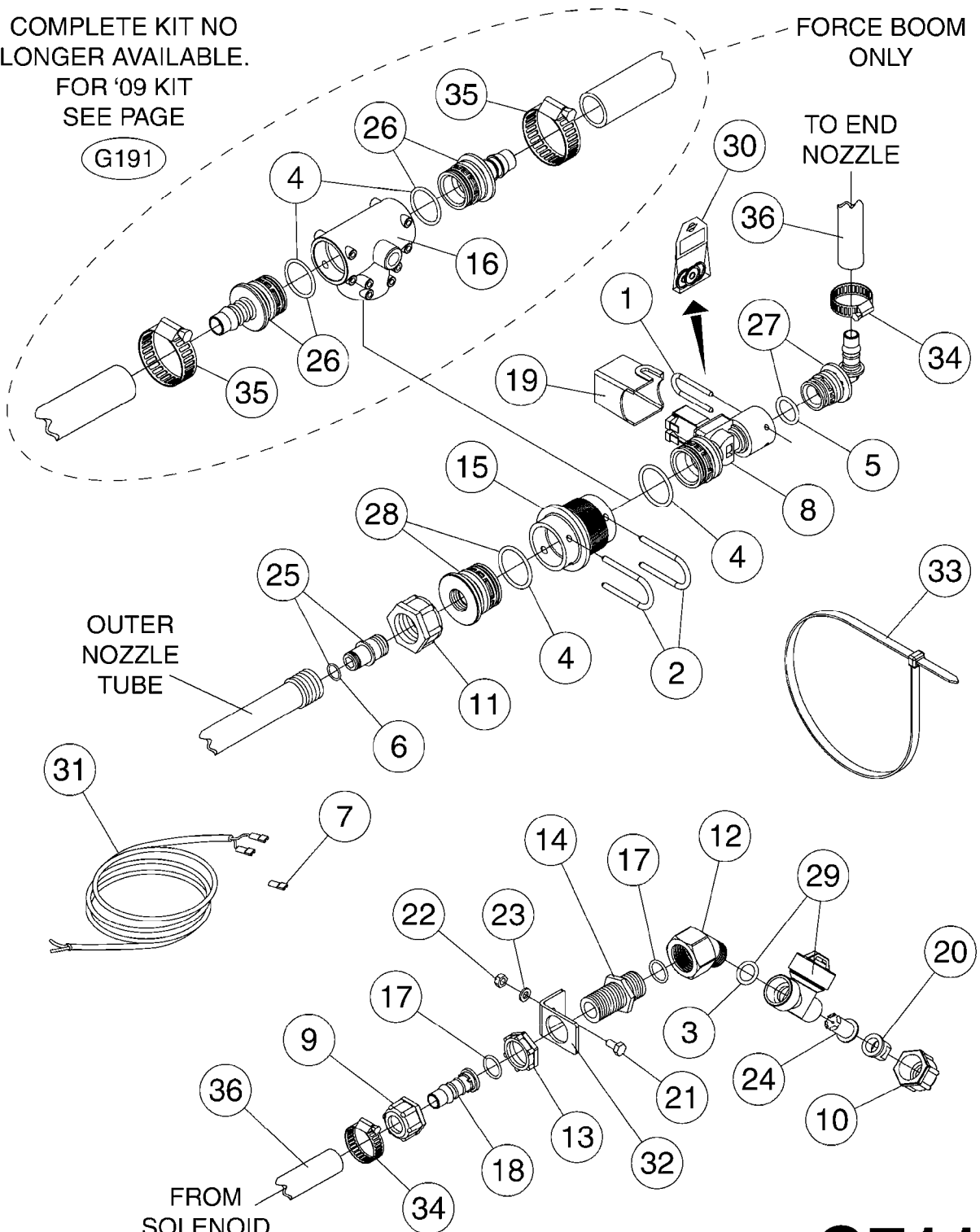
G191

FORCE BOOM
ONLY

TO END
NOZZLE

OUTER
NOZZLE
TUBE

FROM
SOLENOID
ASSEMBLY



G711

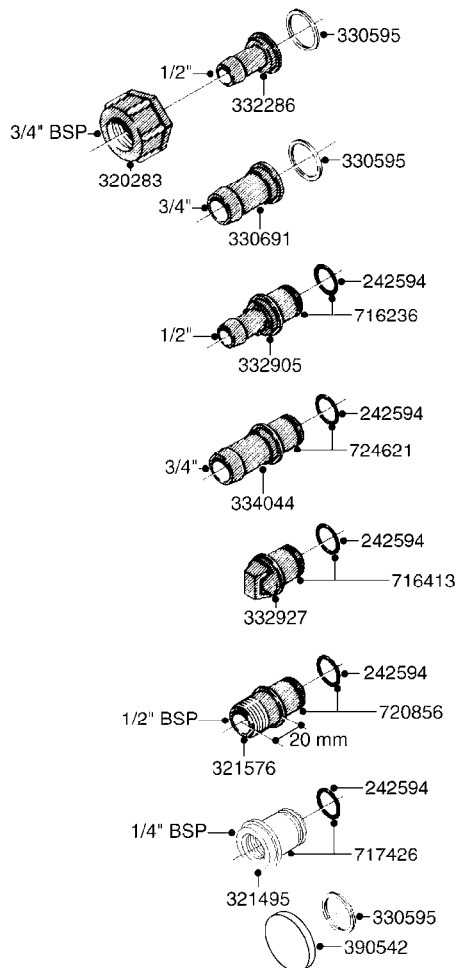
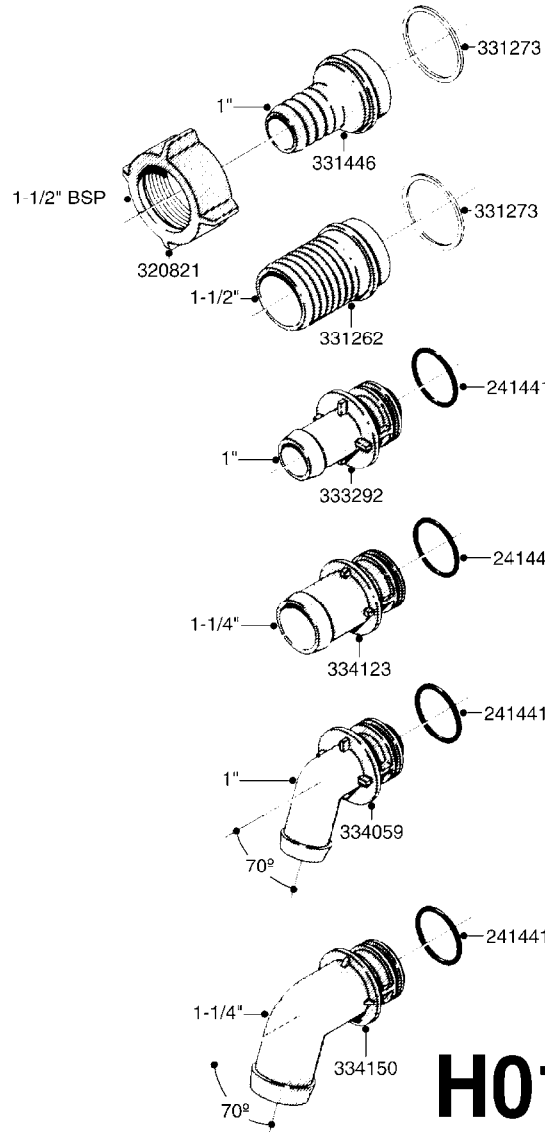
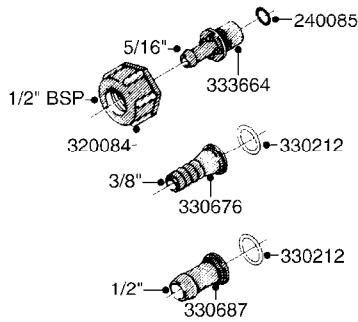
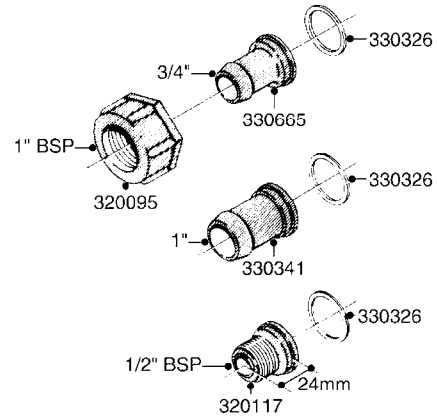
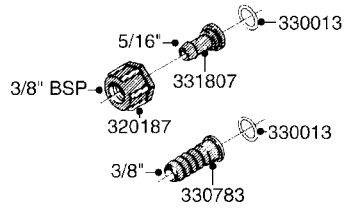


ELECTRIC END NOZZLE KIT
G711-HIN, 09:05:13

Page 1

Date 06.04.2015 11:27

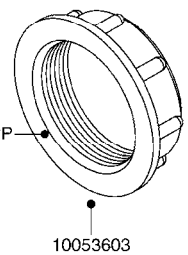
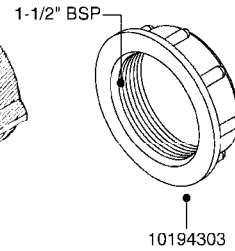
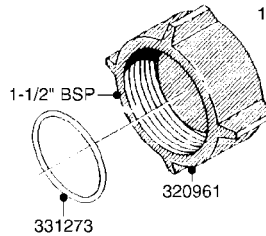
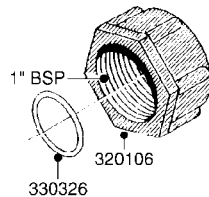
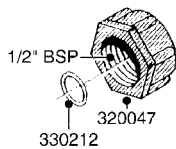
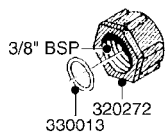
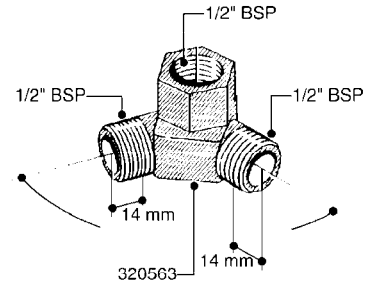
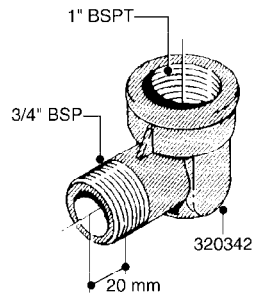
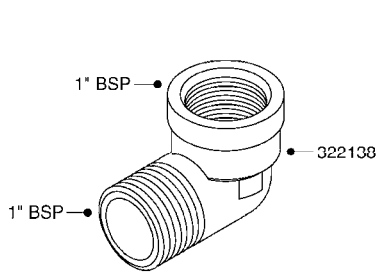
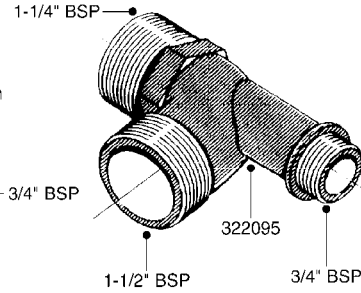
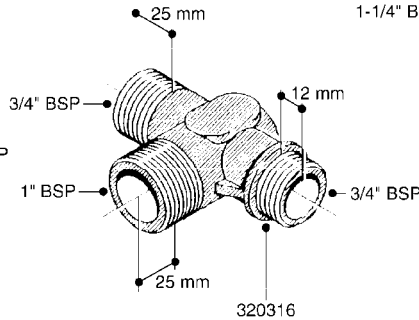
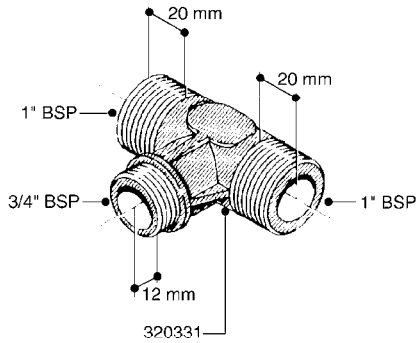
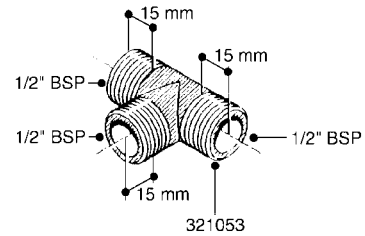
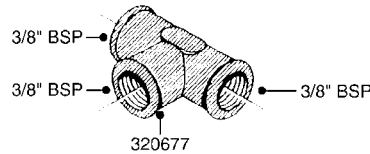
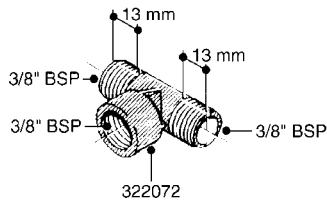
| Pos. | parts-n° | order qty | description |
|------|----------|-----------|--------------------------------|
| 1 | 145994 | 1 | FITT.DK S-40 FORK |
| 2 | 145995 | 1 | FITT.DK S-53 FORK |
| 3 | 240177 | 1 | O-RING D16.1/11.3 X 2.4 |
| 4 | 242354 | 1 | O-RING D32.2X3.0 VITON F.S-53 |
| 5 | 242355 | 1 | O-RING D19.2X3.0 VITON F.S-40 |
| 6 | 242594 | 1 | O-RING D14 X 1.78 SCH.70-EPDM |
| 7 | 261539 | 1 | SPADE F.ELEC CONNec BLUE INSUL |
| 8 | 262104 | 1 | VALVE, SOLENOID, S53/S40 |
| 9 | 320084 | 1 | FITT.DK NUT 1/2" BSP |
| 10 | 320187 | 1 | FITT.DK CAP 3/8" BSP BLACK |
| 11 | 320283 | 1 | FITT.DK NUT 3/4"BSP |
| 12 | 320596 | 1 | FITT.DK ELB 3/8'-1/2'BSP 45DEG |
| 13 | 321307 | 1 | FITT.DK NUT 1/2" BSP JAMB |
| 14 | 321742 | 1 | FITT.DK BULKHEAD 1/2' BSP |
| 15 | 322103 | 1 | FITT.DK S-53 BULKHEAD |
| 16 | 322352 | 1 | FITT.DK S-53 TEE |
| 17 | 330212 | 1 | O-RING D19/D14X2.4 F.1/2"NUT |
| 18 | 330687 | 1 | FITT.DK HB 1/2" F. 1/2" NUT |
| 19 | 334965 | 1 | COVER FOR S53 SOLENOID VALVE |
| 20 | 370366 | 1 | NOZZLE END FAN 1850-G 150 |
| 21 | 410185 | 1 | BOLT HEX 8.8 DEL M6X16 A2 |
| 22 | 460261 | 1 | NUT HEX M6X1 LOCK A2 DIN985 |
| 23 | 471125 | 1 | WASHER M6U D12/D6.4x1.6 SS A2 |
| 24 | 614366 | 1 | FILTER 50 MESH F.NOZZLE BLUE |
| 24 | 614367 | 1 | FILTER 80 MESH F.NOZZLE RED |
| 24 | 614368 | 1 | FILTER 100 MESH F.NOZZLE YEL. |
| 25 | 720856 | 1 | FITT.DK 1/2'BSP ASSY.F.3/4'NUT |
| 26 | 726558 | 1 | FITT.DK S53 STR. 3/4" W.ORING |
| 27 | 726567 | 1 | FITT.DK S-40 ELB.1/2" W.ORING |
| 28 | 726694 | 1 | PLUG,S53,1/2"FBSP THD W.ORING |
| 29 | 729610 | 1 | NOZZLE ASSY. NON DRIP 3/8 THRD |
| 30 | 750722 | 1 | REPAIR KIT FOR 3S SC CONTROL |
| 31 | 983087 | 1 | ELEC. CABLE 2 WIRE X 0.75MM |
| 32 | 16180100 | 1 | PLATE, END ROW NOZZLE |
| 33 | 28025203 | 1 | TIE STRAP L=23" x W=1/2" |
| 34 | 28029803 | 1 | CLAMP HOSE GEAR P1/2" 6708 |
| 35 | 28029903 | 1 | CLAMP HOSE GEAR P3/4"-S1" 6712 |
| 36 | 92702103 | 1 | HOSE R X1/2" X300PSI WP X0012" |



H010



| parts-n° | order qty | description |
|----------|-----------|---------------------------------|
| 240085 | 1 | O-RING D13,1/8,3X02,4 NITRIL |
| 241441 | 1 | O-RING D29.3X3 |
| 242594 | 1 | O-RING D14 X 1.78 SCH.70-EPDM |
| 320084 | 1 | FITT.DK NUT 1/2" BSP |
| 320095 | 1 | FITT.DK NUT 1" BSP |
| 320117 | 1 | FITT.DK CONN.1/2"BSP F. 1" CAP |
| 320187 | 1 | FITT.DK CAP 3/8" BSP BLACK |
| 320283 | 1 | FITT.DK NUT 3/4"BSP |
| 320821 | 1 | FITT.DK NUT 1-1/2" BSP |
| 321495 | 1 | FITT.DK REDUC 1/4'BSP F.3/4'NT |
| 321576 | 1 | FITT.DK CONN 1/2"BSP F.3/4"NUT |
| 330013 | 1 | O-RING D15/D10X2.5 F.3/8"NUT |
| 330212 | 1 | O-RING D19/D14X2.4 F.1/2"NUT |
| 330326 | 1 | O-RING D30/D24X2 F.1"NUT |
| 330341 | 1 | FITT.DK HB 1" F. 1" NUT |
| 330595 | 1 | O-RING D24.6/D20X2.1 -3/4" |
| 330665 | 1 | FITT.DK HB 3/4"F.1" NUT |
| 330676 | 1 | FITT.DK HB 3/8" F. 1/2" NUT |
| 330687 | 1 | FITT.DK HB 1/2" F. 1/2" NUT |
| 330691 | 1 | FITT.DK HB 3/4'F.3/4' NUT |
| 330783 | 1 | FITT.DK HB 3/8"F.3/8" NUT |
| 331262 | 1 | FITT.DK HB 1-1/2" F. 1-1/2"NUT |
| 331273 | 1 | O-RING D44/D38X2 F.1-1/2" |
| 331446 | 1 | FITT.DK HB 1" F.1-1/2" NUT |
| 331807 | 1 | FITT.DK HB 5/16" F.3/8" NUT |
| 332286 | 1 | FITT.DK HB 1/2" F. 3/4" NUT |
| 332905 | 1 | FITT.DK HB 1/2" F. 3/4" CAP |
| 332927 | 1 | PLUG F. NOZZLE TUBE 3/4' |
| 333292 | 1 | FITT.DK HB 1"O'RING F.1-1/2" |
| 333664 | 1 | FITT.DK HB 5/16' F. 1/2' NUT |
| 334044 | 1 | FITT.DK HB 3/4' F. 3/4' CAP |
| 334059 | 1 | FITT.DK EL 1" 110 DEG.F.1-1/2" |
| 334123 | 1 | FITT.DK HB 1-1/4"O-RNG F.1-1/2" |
| 334150 | 1 | FITT.DK HB 1-1/4" 110 F.1-1/2" |
| 390542 | 1 | PLUG WASHER FOR 3/4'CAP NUT |
| 716236 | 1 | FITT.DK HB 1/2" ASSY. F. 3/4" |
| 716413 | 1 | FITT.DK PLUG ASSY. F.NOZ TUBE |
| 717426 | 1 | FITT.DK REDUC 1/4"BSP F.3/4"N |
| 720856 | 1 | FITT.DK 1/2'BSP ASSY.F.3/4'NUT |
| 724621 | 1 | FITT.DK HB 3/4"ASSY F.3/4" NUT |



H020

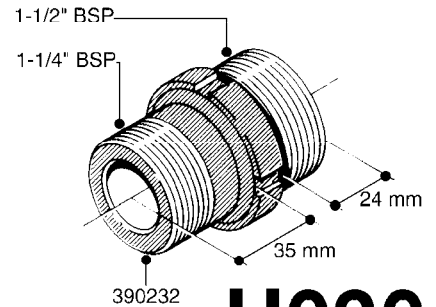
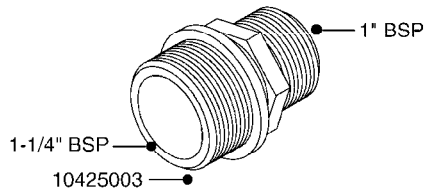
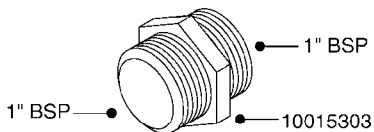
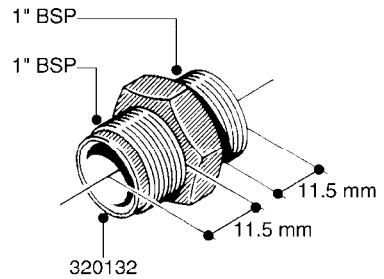
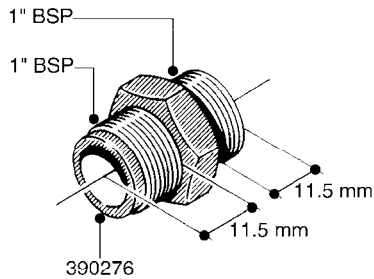
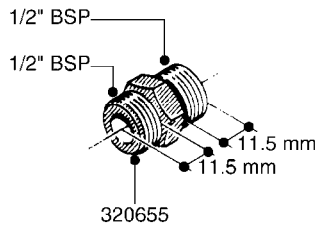
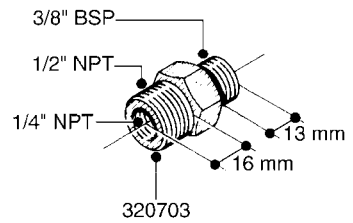
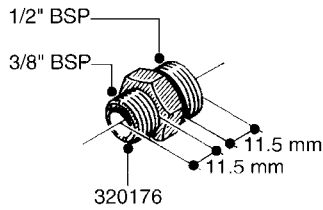
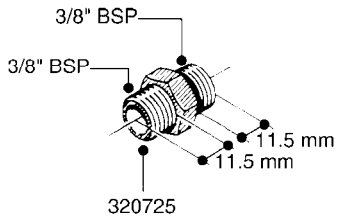
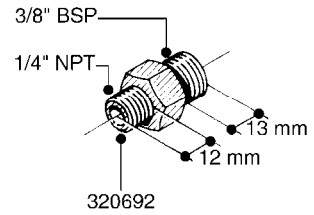
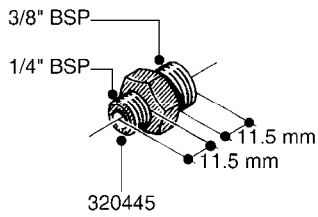
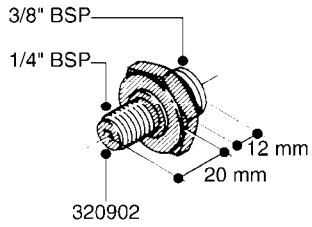


FITTINGS-T-PIECES, CAPS & ELBOWS
H020-HIN, 01:01:01

Page 1

Date 06.04.2015 11:27

| parts-n° | order qty | description |
|----------|-----------|------------------------------------|
| 10053603 | 1 | FITT. CAPNUT 2"BSP 5601 |
| 10194303 | 1 | CAP BLANK 1 1/2 MCPHEE 210060 |
| 320047 | 1 | FITT.DK CAPNUT 1/2" BSP |
| 320106 | 1 | FITT.DK CAPNUT 1" BSP |
| 320272 | 1 | FITT.DK CAPNUT 3/8" BSP |
| 320316 | 1 | FITT.DK TEE 3/4" X3/4" X1"BSP |
| 320331 | 1 | FITT.DK TEE 1" - 1" - 3/4" BSP |
| 320342 | 1 | FITT.DK EL 3/4"M X 1"F BSP |
| 320563 | 1 | FITT.DK 3 WAY 1/2" 110 DEG. |
| 320677 | 1 | NO LONGER AVAILABLE |
| 320961 | 1 | FITT.DK CAPNUT 1-1/2" BSP |
| 321053 | 1 | FITT.DK TEE 1/2 X1/2 X1/2" BSP |
| 322072 | 1 | FITT.DK TEE 3/8'X3/8'X3/8' BSP |
| 322095 | 1 | FITT.DK TEE 1-1/2 X1-1/4 X3/4" BSP |
| 322138 | 1 | FITT.DK ELB 1"M X 1"F BSP |
| 330013 | 1 | O-RING D15/D10X2.5 F.3/8"NUT |
| 330212 | 1 | O-RING D19/D14X2.4 F.1/2"NUT |
| 330326 | 1 | O-RING D30/D24X2 F.1"NUT |
| 331273 | 1 | O-RING D44/D38X2 F.1-1/2" |



H030

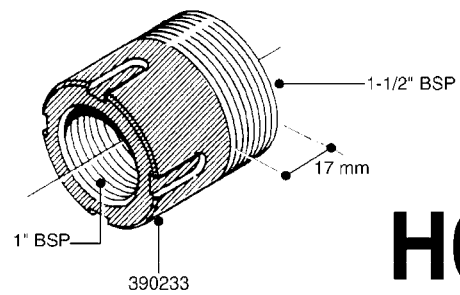
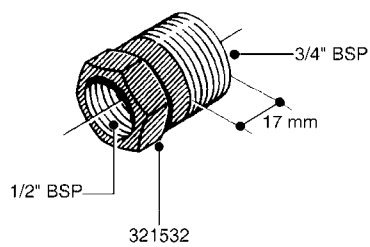
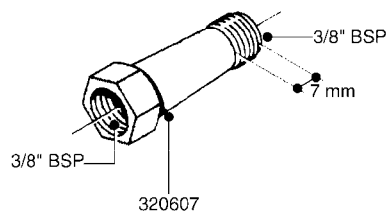
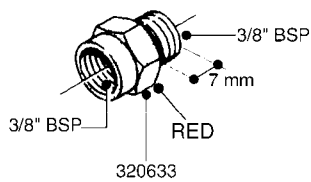
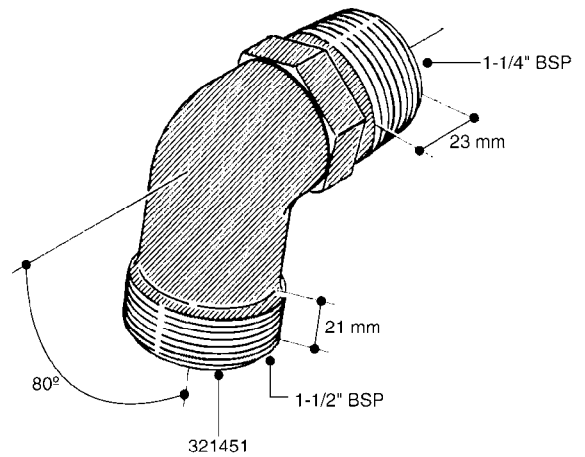
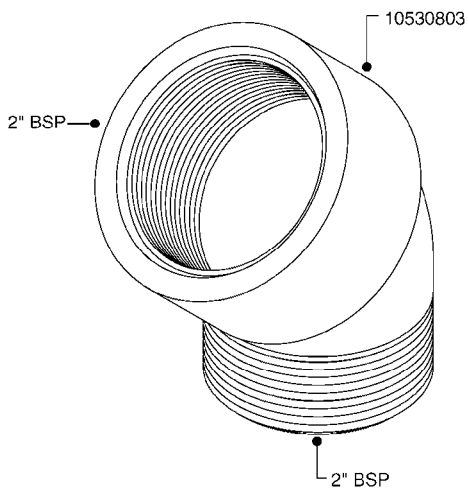
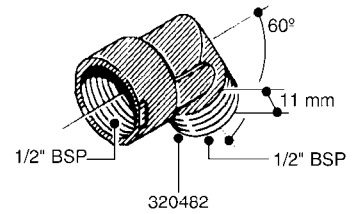
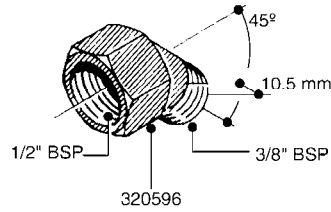
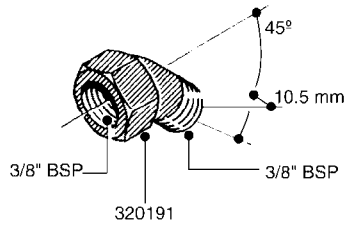


FITTINGS - HEXAGON NIPPLES
H030-HIN, 01:01:01

Page 1

Date 06.04.2015 11:27

| parts-n° | order qty | description |
|----------|-----------|--------------------------------|
| 10015303 | 1 | FITT.PO.HN 1.00X1.00 M1000 |
| 10425003 | 1 | FITT.PO.HN 1.25X1.00 MCPHEE |
| 320132 | 1 | FITT.DK HN 1" BSP |
| 320176 | 1 | FITT.DK HN 3/8"X1/2" BSP |
| 320445 | 1 | FITT.DK HN 1/4"X3/8" BSP |
| 320655 | 1 | FITT.DK HN 1/2"-1/2" BSP |
| 320692 | 1 | FITT.DK HN 3/8'BSPX1/4'NPT |
| 320703 | 1 | FITT.DK HN 3/8BSP X1/2 &1/4NPT |
| 320725 | 1 | FITT.DK NIPPLE 3/8"-3/8" BSP |
| 320902 | 1 | FITT.DK HN 3/8'X 1/4' BSP |
| 390232 | 1 | FITT.DK HN 1-1/2' X 1-1/4' BSP |
| 390276 | 1 | FITT.DK HN 1'BSP |



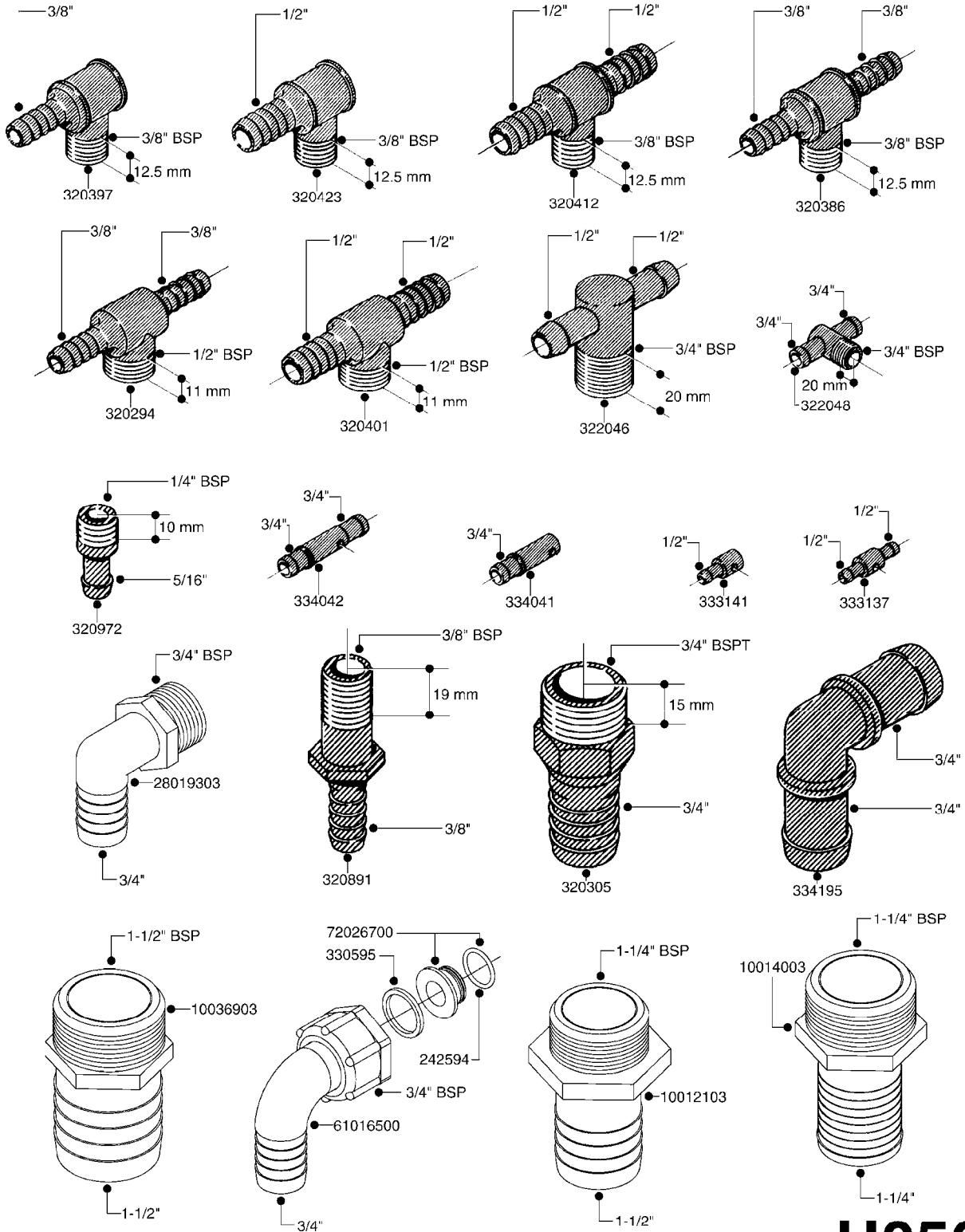
H040



FITTINGS - NIPPLES & ELBOWS
H040-HIN, 01:01:01

Page 1
Date 06.04.2015 11:27

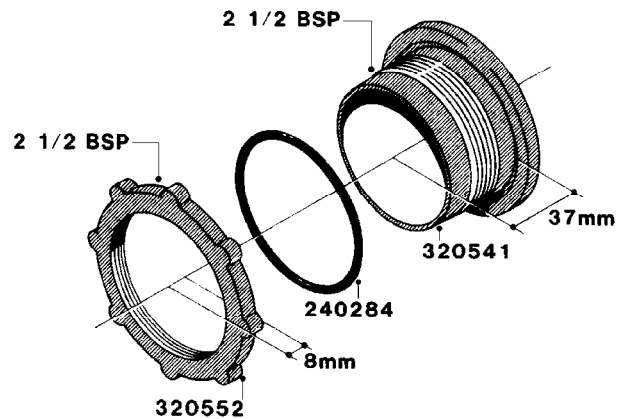
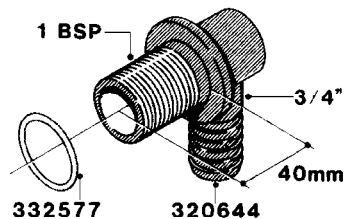
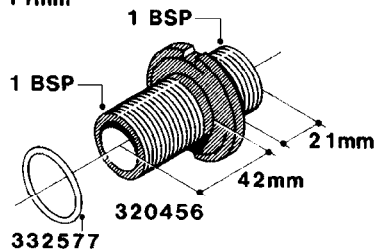
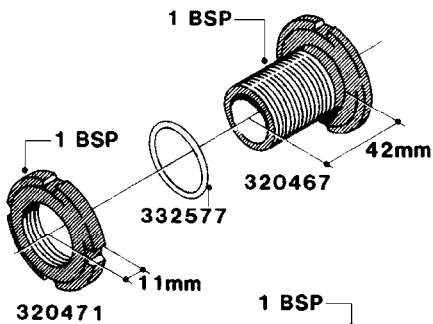
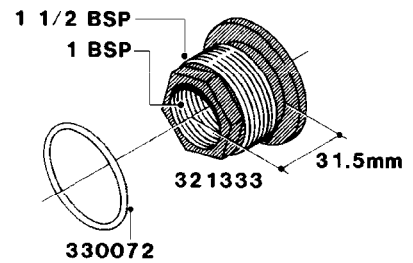
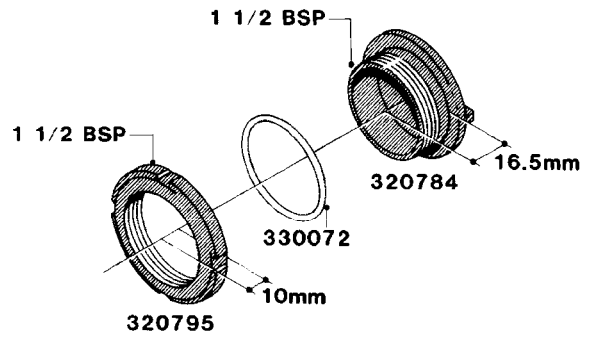
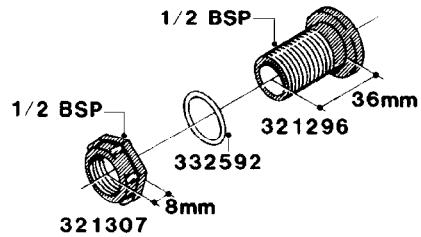
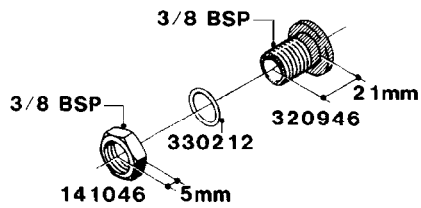
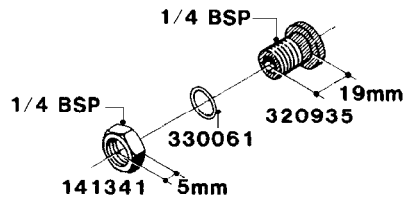
| parts-n° | order qty | description |
|----------|-----------|--------------------------------|
| 10530803 | 1 | FITT.PO.SE 2.00X2.00 45 DEG. |
| 320191 | 1 | FITT.DK ELB 3/8' BSP 45 DEGREE |
| 320482 | 1 | FITT.DK ELB. 1/2" BSP 60 DEG. |
| 320596 | 1 | FITT.DK ELB 3/8'-1/2'BSP 45DEG |
| 320607 | 1 | FITT.DK HN 3/8M X 3/8F BSP LNG |
| 320633 | 1 | FITT.DK HN 3/8"M X 3/8"F BSP |
| 321451 | 1 | FITT.DK ELB.1-1/2 X1-1/4 80DEG |
| 321532 | 1 | FITT.DK REDUC 3/4' X 1/2' BSP |
| 390233 | 1 | FITT.DK REDUC 1-1/2" X 1" BSP |



H050



| parts-n° | order qty | description |
|----------|-----------|--------------------------------|
| 242594 | 1 | O-RING D14 X 1.78 SCH.70-EPDM |
| 320294 | 1 | FITT.DK TEE 3/8X3/8HB X1/2"BSP |
| 320305 | 1 | FITT.DK HB 3/4'- 3/4' BSP |
| 320386 | 1 | FITT.DK TEE 3/8X3/8HB X3/8"BSP |
| 320397 | 1 | FITT.DK ELB 3/8"HB X 3/8" BSP |
| 320401 | 1 | FITT.DK TEE 1/2X1/2HB X1/2"BSP |
| 320412 | 1 | FITT.DK TEE 1/2X1/2HB X3/8'BSP |
| 320423 | 1 | FITT.DK ELB 1/2'HB X 3/8' BSP |
| 320891 | 1 | FITT.DK HB 3/8'- 3/8' BSP |
| 320972 | 1 | FITT.DK HB 5/16'- 1/4' BSP |
| 322046 | 1 | FITT.DK TEE 1/2X1/2HB X3/4'BSP |
| 322048 | 1 | FITT.DK TEE 3/4X3/4HB X3/4'BSP |
| 330595 | 1 | O-RING D24.6/D20X2.1 -3/4" |
| 333137 | 1 | FITT.DK CONN.1/2" F.NOZZ. DOUB |
| 333141 | 1 | FITT.DK CONN.1/2" F.NOZZ.SING |
| 334041 | 1 | FITT.DK CONN.3/4' F.NOZZ. SING |
| 334042 | 1 | FITT.DK CONN.3/4' F.NOZZ. DOUB |
| 334195 | 1 | FITT.DK ELB. 3/4"HB X 3/4"HB |
| 10012103 | 1 | FITT.PO.HB 1.25X1.50 IMB1012 |
| 10014003 | 1 | FITT.PO.HB 1.25X1.25 IMB1010 |
| 10036903 | 1 | FITT.PO.HB 1.50X1.50 IMB1212 |
| 28019303 | 1 | FITTING HB ELB 3/4NPT-3/4HOSE |
| 61016500 | 1 | HOSE TAIL 3/4" 90°+RG CAP 3/4" |
| 72026700 | 1 | NOZZLE TUBE ADAPTER W/O-RING |



H060



FITTINGS - BULKHEAD
H060-HIN, 01:01:01

Page 1

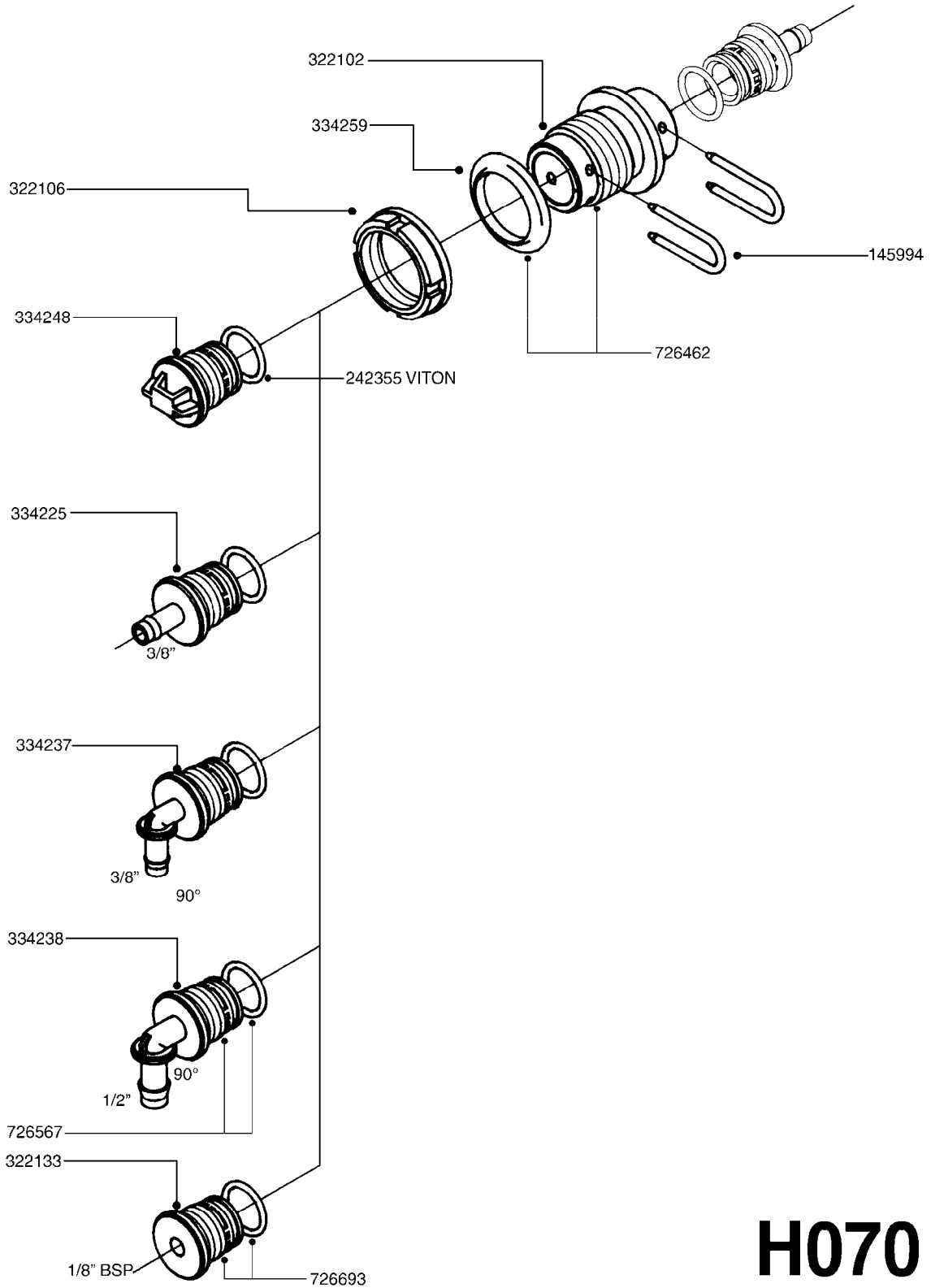
Date 06.04.2015 11:27

| parts-n° | order qty | description |
|----------|-----------|--------------------------------|
| 141046 | 1 | NUT 3/8" BSP |
| 141341 | 1 | NUT 1/4' BSP |
| 240284 | 1 | O-RING D82,5/75 X 3,5 |
| 320456 | 1 | FITT.DK BULKHEAD 1"BSP DOUBLE |
| 320467 | 1 | FITT.DK BULKHEAD 1"BSP SINGLE |
| 320471 | 1 | FITT.DK NUT 1" BSP JAMB |
| 320541 | 1 | FITT.DK BULKHEAD 2-1/2'BSP SIN |
| 320552 | 1 | FITT.DK NUT 2-1/2' BSP JAMB |
| 320644 | 1 | FITT.DK ELB.3/4"HB X 1" BSP |
| 320784 | 1 | FITT.DK CAP 1-1/2" BSP |
| 320795 | 1 | FITT.DK NUT 1-1/2" BSP JAMB |
| 320935 | 1 | FITT.DK BULKHEAD 1/4' BSP SING |
| 320946 | 1 | FITT.DK BULKHEAD 3/8' BSP SING |
| 321296 | 1 | FITT.DK BULKHEAD 1/2" BSP SING |
| 321307 | 1 | FITT.DK NUT 1/2" BSP JAMB |
| 321333 | 1 | FITT.DK BULK 1-1/2" X 1"F BSP |
| 330061 | 1 | O-RING D16/D11X2,5 |
| 330072 | 1 | O-RING D53.5/D45.5X4 |
| 330212 | 1 | O-RING D19/D14X2.4 F.1/2"NUT |
| 332577 | 1 | O-RING D38/D30X4 F.1" PUR. |
| 332592 | 1 | O-RING D26/D20X3 |



FITTINGS - S-40
H070-HIN, 01:02:12

Page 0
Date 06.04.2015 11:27



H070

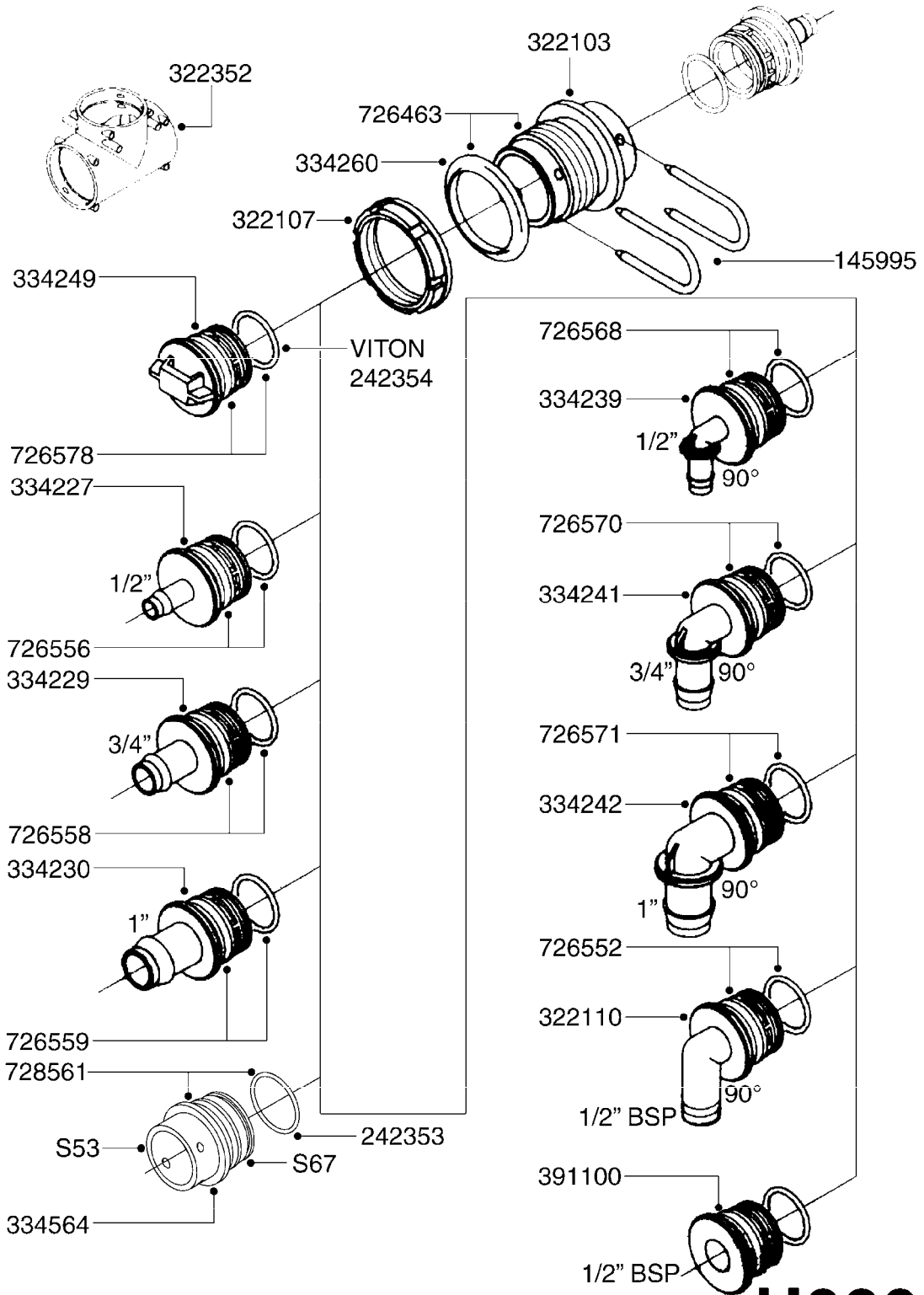


FITTINGS - S-40
H070-HIN, 01:02:12

Page 1

Date 06.04.2015 11:27

| parts-n° | order qty | description |
|----------|-----------|--------------------------------|
| 145994 | 1 | FITT.DK S-40 FORK |
| 242355 | 1 | O-RING D19.2X3.0 VITON F.S-40 |
| 322102 | 1 | FITT.DK S-40 BULKHEAD |
| 322106 | 1 | FITT.DK S-40 BULKHEAD NUT |
| 322133 | 1 | FITT.DK S-40 PLUG W 1/8 THREAD |
| 334225 | 1 | FITT.DK S-40 STR.3/8' |
| 334237 | 1 | FITT.DK S-40 ELB.3/8' |
| 334238 | 1 | FITT.DK S-40 ELB.1/2' |
| 334248 | 1 | FITT.DK S-40 PLUG |
| 334259 | 1 | GASKET F. S-40 BULKHEAD |
| 726462 | 1 | FITT. S40 BULHEAD W. GASKET |
| 726567 | 1 | FITT.DK S-40 ELB.1/2" W.ORING |
| 726693 | 1 | FITT.DK S-40 PLUG 1/8BSP ORING |



H080

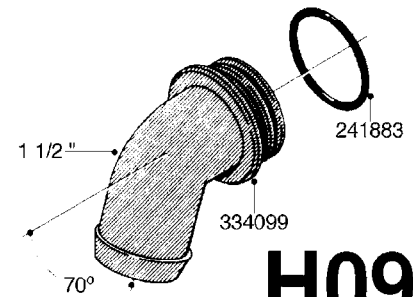
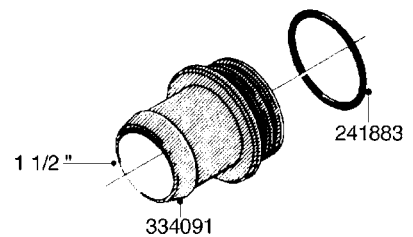
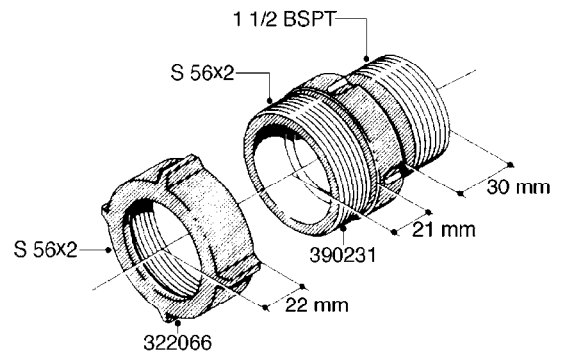
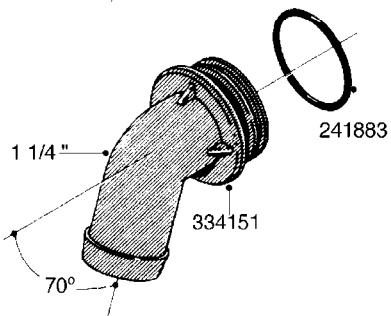
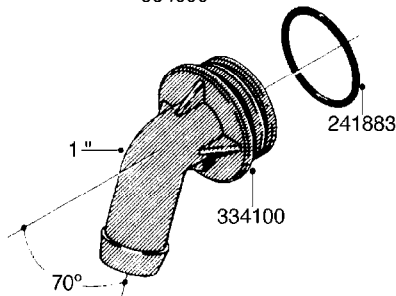
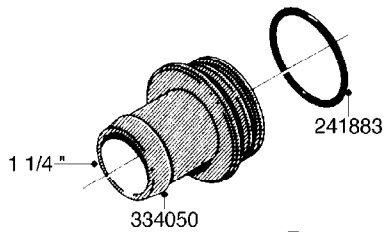
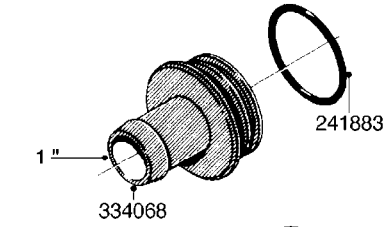
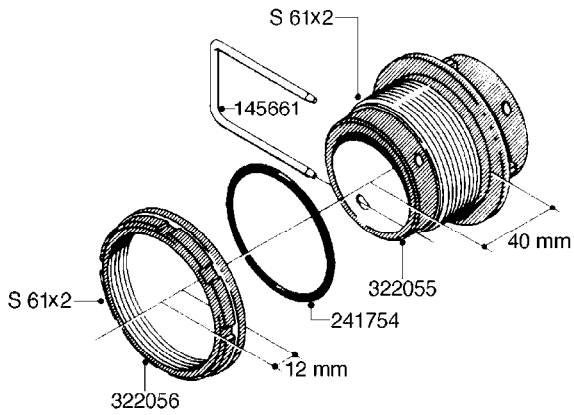


FITTINGS - S-53
H080-HIN, 01:02:12

Page 1

Date 06.04.2015 11:27

| parts-n° | order qty | description |
|----------|-----------|--------------------------------|
| 145995 | 1 | FITT.DK S-53 FORK |
| 242353 | 1 | O-RING D44.2X3.0 VITON F.S-67 |
| 242354 | 1 | O-RING D32.2X3.0 VITON F.S-53 |
| 322103 | 1 | FITT.DK S-53 BULKHEAD |
| 322107 | 1 | FITT.DK S-53 BULKHEAD NUT |
| 322110 | 1 | FITT.DK S-53 ELB. 1/2" BSP |
| 322352 | 1 | FITT.DK S-53 TEE |
| 334227 | 1 | FITT.DK S-53 STR.1/2' |
| 334229 | 1 | FITT.DK S-53 STR.3/4" |
| 334230 | 1 | FITT.DK S-53 STR.1" |
| 334239 | 1 | FITT.DK S-53 ELB.1/2" |
| 334241 | 1 | FITT.DK S-53 ELB.3/4" |
| 334242 | 1 | FITT.DK S-53 ELB.1" |
| 334249 | 1 | FITT.DK S-53 PLUG |
| 334260 | 1 | GASKET F. S-53 BULKHEAD |
| 334564 | 1 | FITT.DK S-67 TO S-53 ADAPTER |
| 391100 | 1 | FITT.DK S-53THREAD INS.1/2"BSP |
| 726463 | 1 | FITT.DK S53 BULKHEAD W/GASKET |
| 726552 | 1 | FIT.DK S-53X90 1/2" BSP,O-RING |
| 726556 | 1 | FITT.DK S-53 HB 1/2" W/O-RING |
| 726558 | 1 | FITT.DK S53 STR. 3/4" W.ORING |
| 726559 | 1 | FITT DK. S-53 HB 1" W/O-RING |
| 726568 | 1 | FITT.DK.S-53 HB 1/2"90 W/ORING |
| 726570 | 1 | FITT.DK S-53 ELB.3/4" W.ORING |
| 726571 | 1 | FITT.DK S-53 ELB.1", W ORING |
| 726578 | 1 | FITT.DK S53 PLUG WITH O-RING |
| 728561 | 1 | FITT.DK. S67M - S53F REDUCER |



H090

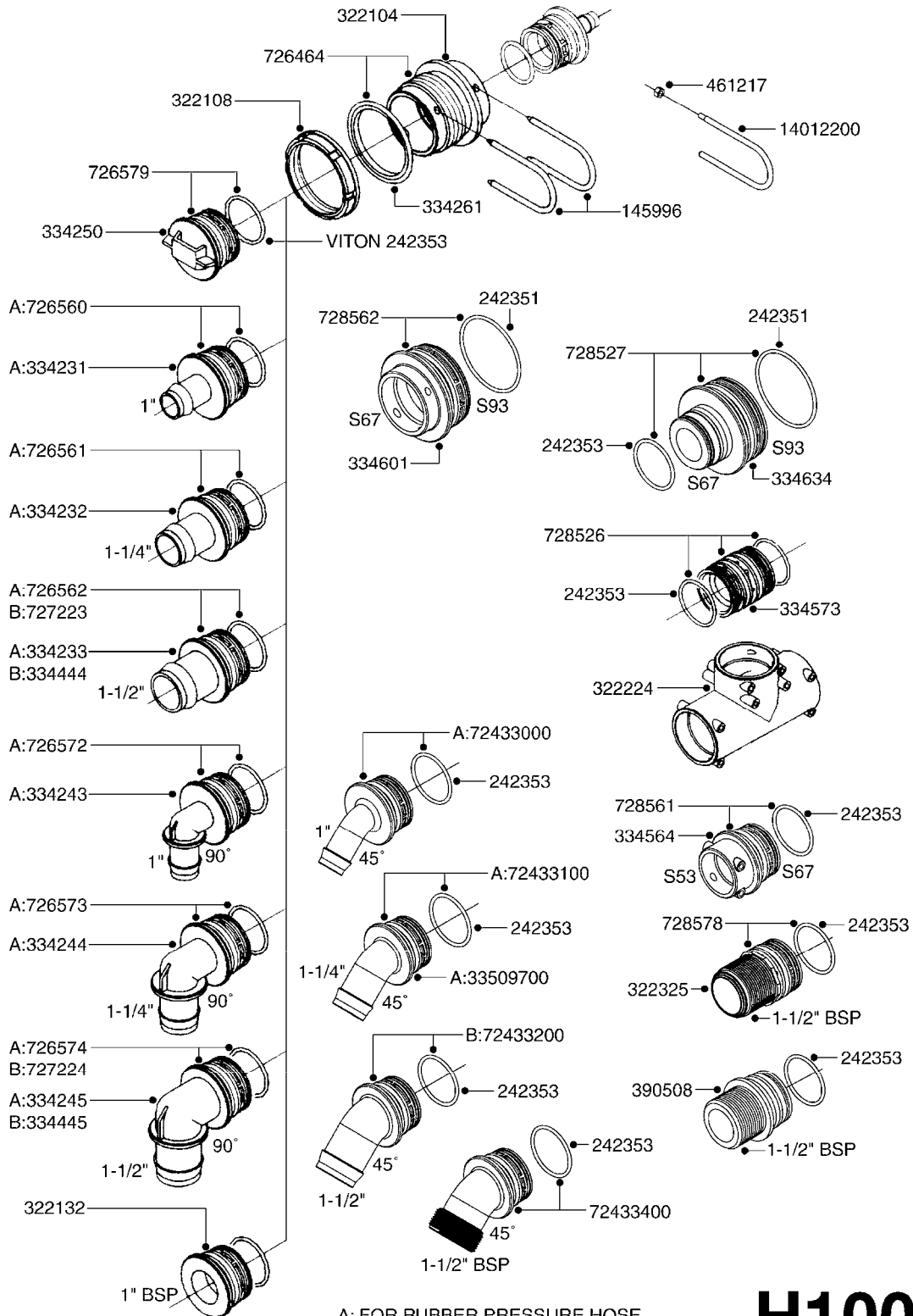


FITTINGS - S-56 & S-61
H090-HIN, 01:01:01

Page 1

Date 06.04.2015 11:27

| parts-n° | order qty | description |
|----------|-----------|--------------------------------|
| 145661 | 1 | FITT.DK S-61 FORK |
| 241754 | 1 | O-RING D59.5X3 |
| 241883 | 1 | O-RING D39.2X3 NITRIL 242020 |
| 322055 | 1 | FITT.DK S-61 BULKHEAD |
| 322056 | 1 | FITT.DK S-61 BULKHEAD NUT |
| 322066 | 1 | FITT.DK S-56 NUT |
| 334050 | 1 | FITT.DK S-61 STR.1-1/4" |
| 334068 | 1 | FITT.DK S-61 STR.1" |
| 334091 | 1 | FITT.DK S-61 STR.1-1/2' |
| 334099 | 1 | FITT.DK S-61 ELB.1-1/2"110 DEG |
| 334100 | 1 | FITT.DK S-61 ELB.1" 110 DEG. |
| 334151 | 1 | FITT.DK S-61 ELB.1-1/4"110 DEG |
| 390231 | 1 | FITT.DK NIPPLE 1-1/2 X S56 |



H100

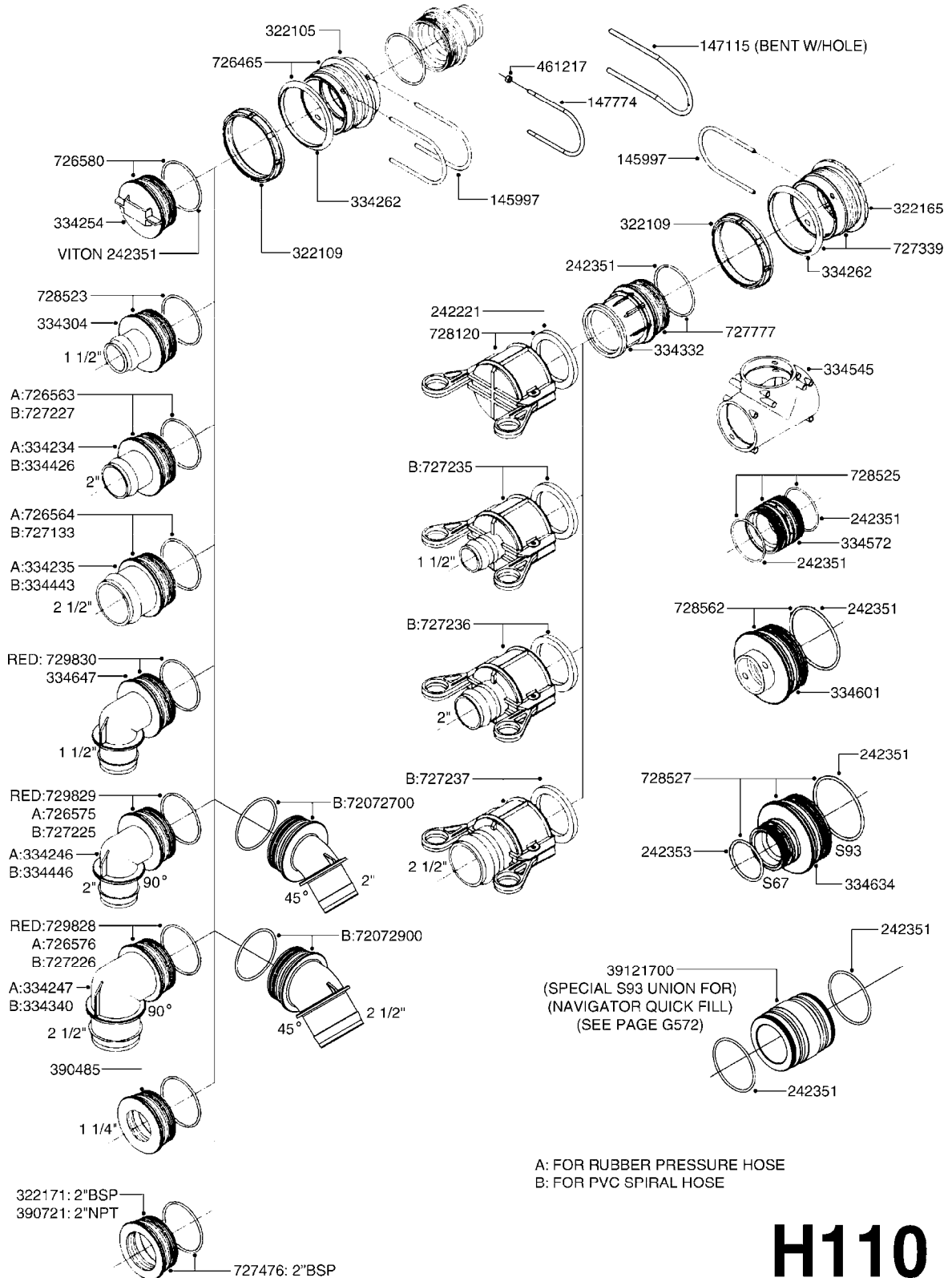


FITTINGS - S-67
H100-HIN, 08:11:12

Page 1

Date 06.04.2015 11:27

| parts-n° | order qty | description |
|----------|-----------|--------------------------------|
| 145996 | 1 | FITT.DK S-67 FORK |
| 242351 | 1 | O-RING D69.5X3.0 VITON F.S-93 |
| 242353 | 1 | O-RING D44.2X3.0 VITON F.S-67 |
| 322104 | 1 | FITT.DK S-67 BULKHEAD |
| 322108 | 1 | FITT.DK S-67 BULKHEAD NUT |
| 322132 | 1 | FITT.DK S-67 THREAD INS.1'BSP |
| 322224 | 1 | FITT.DK S-67 TEE |
| 322325 | 1 | FITT.DK S-67 X 1-1/2"BSP LONG |
| 334231 | 1 | FITT.DK S-67 STR.1' |
| 334232 | 1 | FITT.DK S-67 STR.1-1/4' |
| 334233 | 1 | FITT.DK S-67 STR.1-1/2' RUBBER |
| 334243 | 1 | FITT.DK S-67 ELB.1" |
| 334244 | 1 | FITT.DK S-67 ELB.1-1/4" |
| 334245 | 1 | FITT.DK S-67 ELB. 1-1/2'RUBBER |
| 334250 | 1 | FITT.DK S-67 PLUG |
| 334261 | 1 | GASKET F. S-67 BULKHEAD |
| 334444 | 1 | FITT.DK S-67 STR.1-1/2" PVC |
| 334445 | 1 | FITT.DK S-67 ELB.1-1/2" |
| 334564 | 1 | FITT.DK S-67 TO S-53 ADAPTER |
| 334573 | 1 | FITT.DK S-67 CONNECTOR |
| 334601 | 1 | FITT.DK S-93 TO S67 ADAPTOR |
| 334634 | 1 | FITT.DK ADAPTER S-93M S67M |
| 390508 | 1 | FITT DK S67X1.5M BSPalt322325 |
| 461217 | 1 | NUT HEX M5 LOCK |
| 726464 | 1 | FITT.DK S-67 BULKHEAD W/GASKET |
| 726560 | 1 | FITT.DK S-67 STR.1" W.O'RING |
| 726561 | 1 | FITT.DK S-67 STR.1-1/4" O'RING |
| 726562 | 1 | FITT.DK.S-67 HB 1-1/2"W.O-RING |
| 726572 | 1 | FITT.DK S-67 1" ELBOW 90 ASSY. |
| 726573 | 1 | FITT. S67 5/4" 90° W/O-RING |
| 726574 | 1 | FITT.DK S67X90,1.5HB PRESSURE |
| 726579 | 1 | FITT. S67 PLUG W/O-RING |
| 727223 | 1 | FITT.S67 1.5" STRAIT S W/ORING |
| 727224 | 1 | FITT.DK S67X90,1.5HB SUCTION |
| 728526 | 1 | FITT.DK S-67 CONNECT W. ORINGS |
| 728527 | 1 | ADAPTER S67M TO S93M W/ORING |
| 728561 | 1 | FITT.DK. S67M - S53F REDUCER |
| 728562 | 1 | FITT.DK S-93 TO S67 ADAPTOR |
| 728578 | 1 | FITT.DK S-67X1-1/2"BSP LG W/OR |
| 14012200 | 1 | FITT.DK S-67 FORK W/M5 THREADS |
| 33509700 | 1 | FITT.DK S-67 45° 1-1/4" |
| 72433000 | 1 | FITT.S67 1" 45° W/ORING |
| 72433100 | 1 | FITT.DK S-67 45° 1-1/4"W/ORING |
| 72433200 | 1 | FITT.S67 1-1/2" 45°PVC W/ORING |
| 72433400 | 1 | FITT.S67 1-1/2" 45°BSP W/ORING |



A: FOR RUBBER PRESSURE HOSE
B: FOR PVC SPIRAL HOSE

H110



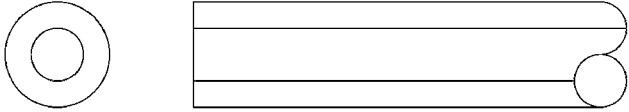
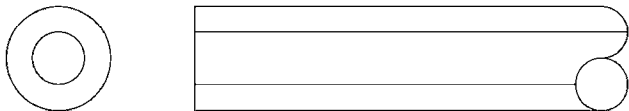
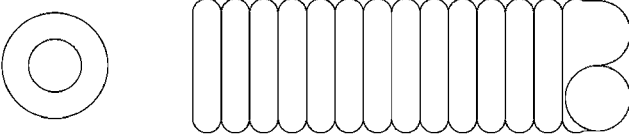
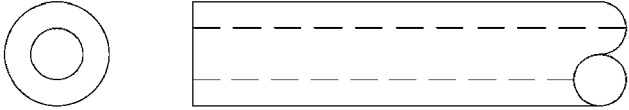
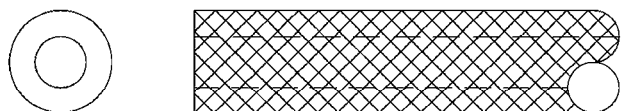

FITTINGS - S-93
H110-HIN, 08:11:12

Page 1

Date 06.04.2015 11:27

| parts-n° | order qty | description |
|----------|-----------|--------------------------------|
| 145997 | 1 | FITT.DK S-93 FORK |
| 147115 | 1 | FITT.DK S-93 FORK SPECIAL |
| 147774 | 1 | FITT.DK S-93 FORK W. M5 THREAD |
| 242221 | 1 | GASKET F. S-93 QUICK COUPLERS |
| 242351 | 1 | O-RING D69.5X3.0 VITON F.S-93 |
| 242353 | 1 | O-RING D44.2X3.0 VITON F.S-67 |
| 322105 | 1 | FITT.DK S-93 BULKHEAD DOUBLE |
| 322109 | 1 | FITT.DK S-93 BULKHEAD NUT |
| 322165 | 1 | FITT.DK S-93 BULKHEAD SINGLE |
| 322171 | 1 | FITT.DK S-93 THREAD INS.2"BSP |
| 334234 | 1 | FITT.DK S-93 STR.2" RUBBER |
| 334235 | 1 | FITT.DK S-93 STR.2-1/2'RUBBER |
| 334246 | 1 | FITT.DK S-93 ELB.2" PVC |
| 334247 | 1 | FITT.DK S-93 ELB.2-1/2'RUBBER |
| 334254 | 1 | FITT.DK S-93 PLUG |
| 334262 | 1 | GASKET F.S-93 BULKHEAD |
| 334304 | 1 | FITT.DK S-93 STR.1-1/2" PVC |
| 334332 | 1 | FITT.DK S-93 MALE QUICK COUP. |
| 334340 | 1 | FITT.DK S-93 ELBOW 2.5" |
| 334426 | 1 | FITT.DK S-93 STR.2' |
| 334443 | 1 | HOSE PIPE BR.21/2'-EVEN S |
| 334446 | 1 | FITT.DK S-93 ELB.2" PVC |
| 334545 | 1 | FITT.DK S-93 TEE |
| 334572 | 1 | FITT.DK S-93 ADAPTOR MALE MALE |
| 334601 | 1 | FITT.DK S-93 TO S67 ADAPTOR |
| 334634 | 1 | FITT.DK ADAPTER S-93M S67M |
| 334647 | 1 | FITT.DK S93 ELB 1-1/2" 90 PVC |
| 390485 | 1 | FITT.DK S-93 PLUG W D34 HOLE |
| 390721 | 1 | FITT.DK S-93 PLUG W/2'NPT THRE |
| 461217 | 1 | NUT HEX M5 LOCK |
| 726465 | 1 | FITT.DK S-93 BULKHEAD W/GASKET |
| 726563 | 1 | FITT.DK S-93 STR 2" W/O-RING |
| 726564 | 1 | HOSE TAIL 2 1/2' W.O-RING |
| 726575 | 1 | FITT.DK S-93 ELB. 2' RUBBER |
| 726576 | 1 | FITT. DK S-93 2 1/2" 90° |
| 726580 | 1 | FITT. S93 PLUG W/O-RING |
| 727133 | 1 | FITT. S93 2-1/2" STR. S W/O-RI |
| 727225 | 1 | FITT.DK S-93 ELB.2'PVC W/ORING |
| 727226 | 1 | FITT. S93 2-1/2" 90° S W/O-RIN |
| 727227 | 1 | FITT.DK S-93 STR.2' W/ORING |
| 727235 | 1 | QUICK COUPLER FEMALE W 1-1/2HB |
| 727236 | 1 | QUICK COUPLER FEMALE W 2'HB |
| 727237 | 1 | QUICK COUPLER FEMALE W2-1/2'HB |
| 727339 | 1 | FITT. S93 DRAIN BULKHEAD W/O-R |
| 727476 | 1 | FITT. DK S-93 2"FM THD W.ORING |
| 727777 | 1 | QUICK COUPLER S93 DRAIN W/O-RI |
| 728120 | 1 | QUICK COUPLER CAP F.S93 DRAIN |
| 728523 | 1 | FITT.DK S-93 STR.1-1/2" |
| 728525 | 1 | FITT. S93 CONNECTOR W/O-RINGS |
| 728527 | 1 | ADAPTER S67M TO S93M W/ORING |
| 728562 | 1 | FITT.DK S-93 TO S67 ADAPTOR |
| 729828 | 1 | FITT.DK S-93 ELB 2-1/2" RED |
| 729829 | 1 | FITT.DK S-93 ELB 2 RED |
| 729830 | 1 | FITT.DK S-93 ELB 1-1/2" 90 RED |
| 39121700 | 1 | FITT.DK S93 ADAP LG MALE MALE |
| 72072700 | 1 | FITT.DK S-93 45D 2" PVC |
| 72072900 | 1 | FITT.S93 2-1/2" 45°PVC W/ORING |



| I.D. | PART # (ONE FOOT) | |
|--|--|--|
| 3/8" 1/2" 3/4" 1" 1-1/4" | 92701703 92702103 92703203 92712403 92734403 |  <p>RUBBER HOSE SMOOTH, BLACK, TWO BLUE STRIPES</p> |
| 5/16" 3/8" 1/4" 1/2" 3/4" | 927281 927284 927268 927269 927270 |  <p>PVC HOSE SHINY, BLACK, SMOOTH, TWO WHITE STRIPES</p> |
| 1" 1-1/4" 1-1/2" 2" 2-1/2" | 92702403 92738900 92702603 92702703 92702803 |  <p>PVC SPIRAL SUCTION HOSE SHINY, RIBBED, GRAY</p> |
| 3/4" | 927205 |  <p>PVC HOSE CLEAR, SMOOTH</p> |
| 1/2" 3/4" | 10631003 927231 |  <p>PVC HOSE SMOOTH, CLEAR, REINFORCED WITH WHITE MESH</p> |
| 4mm 6mm 8mm 10mm | 927253 RED 927264 RED 927306 BLACK 927330 BLACK |  <p>PVC AIR HOSE SMOOTH</p> |

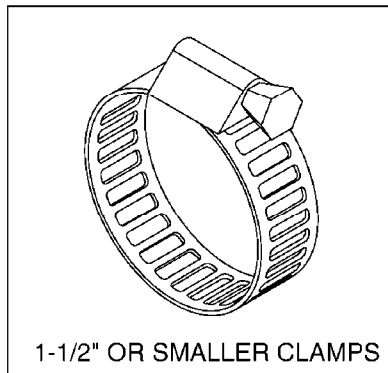
H120



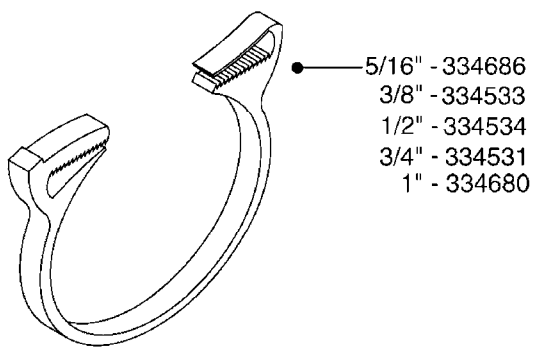
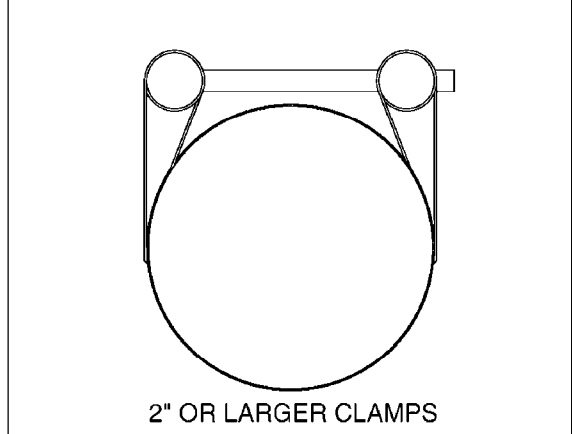
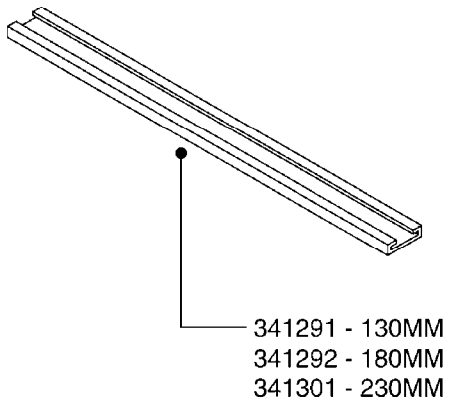
BULK HOSE
H120-HIN, 11:05:10

Page 1
Date 06.04.2015 11:27

| parts-n° | order qty | description |
|----------|-----------|--------------------------------|
| 927205 | 1 | HOSE R X CLEAR X 3/4 X 0012" |
| 927231 | 1 | HOSE R X PVCX3/4 CLR/BRD 0012" |
| 927253 | 1 | AIR HOSE, DIAMETER 4MM |
| 927264 | 1 | HOSE R X PE D6/D4 X 0012" |
| 927268 | 1 | HOSE R X PVC X 1/4 X 0012" |
| 927269 | 1 | HOSE R X PVC X 1/2 X 0012" |
| 927270 | 1 | HOSE R X PVC X 3/4 X 0012" |
| 927281 | 1 | HOSE R X PVC X 5/16 X 0012" |
| 927284 | 1 | HOSE 3/8 PVC W/ INSERT |
| 927306 | 1 | HOSE R X PE D8/D6 X 0012"BLACK |
| 927330 | 1 | HOSE R X PE D10/D8 X 012"BLACK |
| 10631003 | 1 | HOSE R X CLEAR BRAID.X 1/2 12" |
| 92701703 | 1 | HOSE R X3/8" X300PSI WP X0012" |
| 92702103 | 1 | HOSE R X1/2" X300PSI WP X0012" |
| 92702403 | 1 | HOSE PVC SUCT GRAY 1" |
| 92702603 | 1 | HOSE PVC SUCT GRAY 1-1/2" |
| 92702703 | 1 | HOSE PVC SUCT GRAY 2" |
| 92702803 | 1 | SUGE SLANGE PVC GRÅ 2-1/2" |
| 92703203 | 1 | HOSE R X3/4" X300PSI WP X0012" |
| 92712403 | 1 | HOSE R X1" X300PSI WP X0012" |
| 92734403 | 1 | HOSE R X5/4" X200PSI WP X0012" |
| 92738900 | 1 | HOSE R X PVC X 1-1/4" 0012" |



| Hose Size | Pressure | Suction | Clamp Code |
|-----------|----------|----------|------------|
| 3/8" | 28029803 | | 6706 |
| 1/2" | 28029803 | | 6706 |
| 3/4" | 28029903 | | 6712 |
| 1" | 28030003 | 28029903 | 6716 |
| 1-1/4" | 28030103 | | 6724 |
| 1-1/2" | | 28030103 | 6724 |
| 2" | | 28030203 | 235-67 |
| 2-1/2" | | 28030303 | 235-74 |
| 3" | | 28030403 | 235-82 |



H130



HOSE CLAMPS
H130-HIN, 05:07:11

Page 1

Date 06.04.2015 11:27

| parts-n° | order qty | description |
|----------|-----------|--------------------------------|
| 334531 | 1 | CLAMP HOSE PLASTIC 3/4" |
| 334533 | 1 | CLAMP HOSE PLASTIC 3/8" |
| 334534 | 1 | CLAMP HOSE PLASTIC 1/2" |
| 334680 | 1 | CLAMP HOSE PLASTIC 1" |
| 334686 | 1 | CLAMP HOSE PLASTIC 5/16" |
| 341291 | 1 | RUBBER HOSE CLAMP COVER 130MM |
| 341292 | 1 | RUBBER HOSE CLAMP COVER 180MM |
| 341301 | 1 | RUBBER HOSE CLAMP COVER 230MM |
| 28029803 | 1 | CLAMP HOSE GEAR P1/2" 6708 |
| 28029903 | 1 | CLAMP HOSE GEAR P3/4"-S1" 6712 |
| 28030003 | 1 | CLAMP HOSE GEAR P1" 6716 |
| 28030103 | 1 | CLAMP HOSE GEAR P5/4-S1.5"6724 |
| 28030203 | 1 | CLAMP HOSE T-BOLT S2" 235-67 |
| 28030303 | 1 | CLAMP HOSE T-BOLT S2.5" 235-76 |
| 28030403 | 1 | CLAMP HOSE T-BOLT S3" 235-82 |